

# 91Xi Classic Cross-Trainer w/Upgraded Console

91X-0000-02

## Parts Manual

1/5/2019 7:16:55 AM



*LifeFitness*  
WHAT WE LIVE FOR



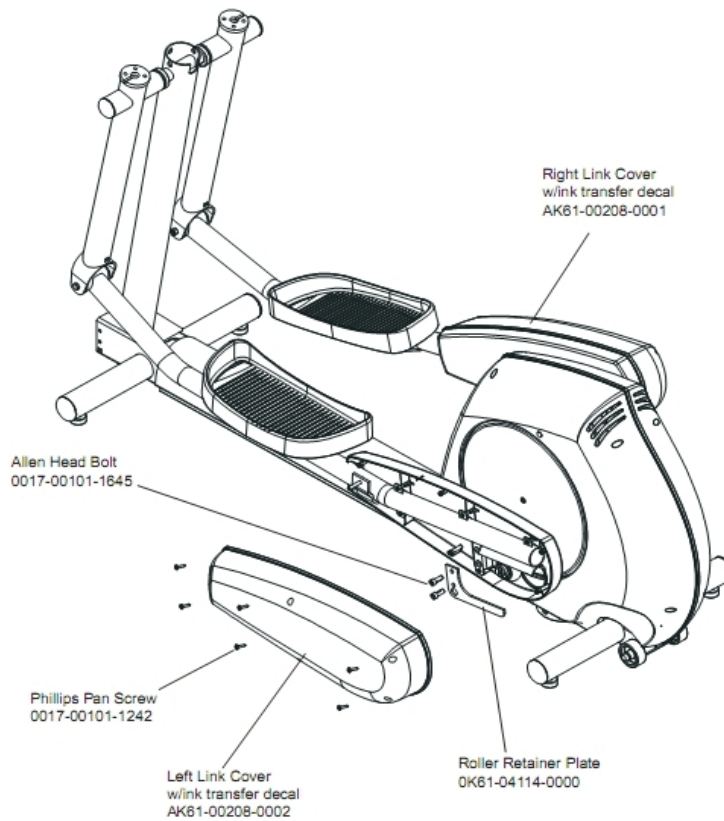
**91X-0000-02 - 91XI CLASSIC  
CROSS-TRAINER W/UPGRADED  
CONSOLE**

**Table of Contents**

---

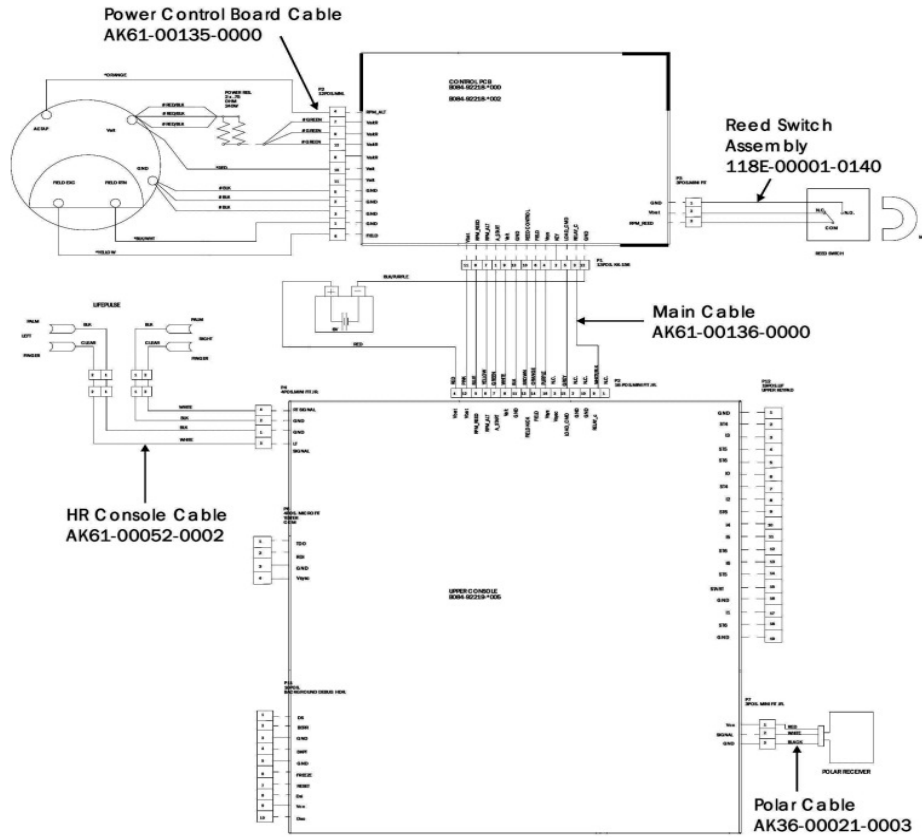
<a href="#">Anti Lift Bracket and Outer Pedal Covers.....</a>	<a href="#">3</a>
<a href="#">Cables.....</a>	<a href="#">4</a>
<a href="#">Clevis and Front Frame Covers.....</a>	<a href="#">5</a>
<a href="#">Console Assembly.....</a>	<a href="#">6</a>
<a href="#">Console Support Assembly.....</a>	<a href="#">7</a>
<a href="#">Crankshaft Assembly.....</a>	<a href="#">8</a>
<a href="#">Drive Belts and Alternator.....</a>	<a href="#">9</a>
<a href="#">Drive Linkage Assembly.....</a>	<a href="#">10</a>
<a href="#">Frame Assembly.....</a>	<a href="#">11</a>
<a href="#">Miscellaneous.....</a>	<a href="#">12</a>
<a href="#">Pedal Lever Assembly.....</a>	<a href="#">13</a>
<a href="#">Rear Drive Shrouds with Decals.....</a>	<a href="#">14</a>
<a href="#">Rocker Arm Assembly.....</a>	<a href="#">15</a>
<a href="#">Rocker Arm Covers.....</a>	<a href="#">16</a>
<a href="#">Roller Assembly.....</a>	<a href="#">17</a>
<a href="#">Upper Arm/Heart Rate Assembly.....</a>	<a href="#">18</a>

## Anti Lift Bracket and Outer Pedal Covers



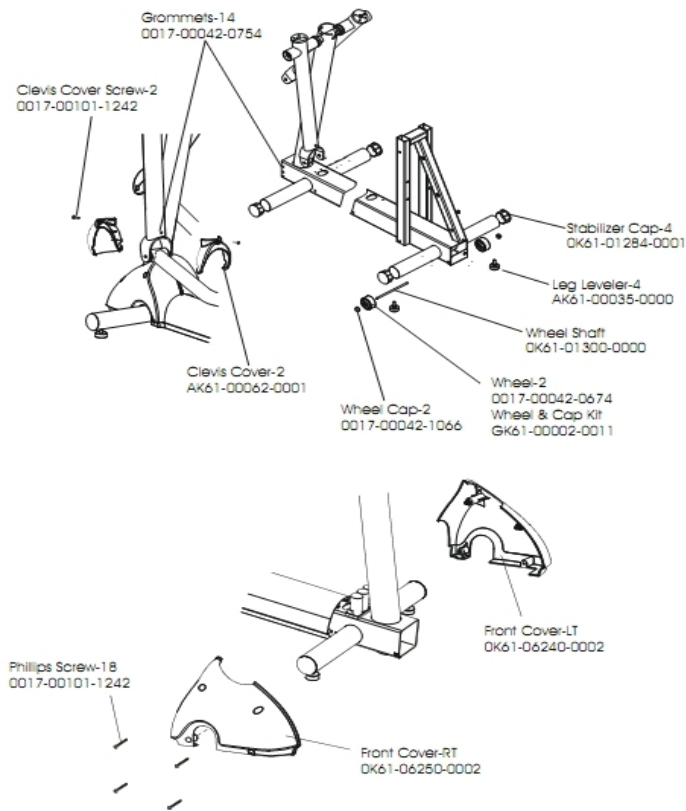
Ref #	Part Number	Qty	Description
-	OK61-04114-0000	1	Roller Retainer Plate
-	0017-00101-1242	1	Hardware: Phillips Pan Screw 0.75"
-	AK61-00208-0001	1	Link Cover with Decal: Right
-	0017-00101-1645	1	Hardware: Bolt
-	AK61-00208-0002	1	Link Cover with Decal: Left

# Cables



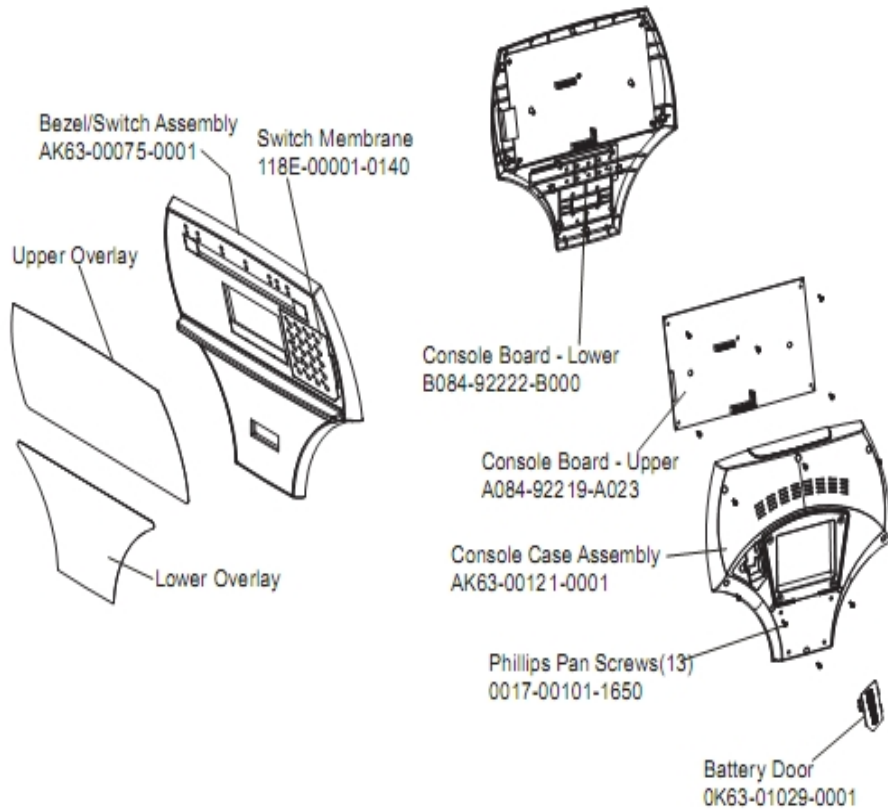
Ref #	Part Number	Qty	Description
-	AK61-00052-0002	1	Lifepulse Sensor Cable
-	AK61-00135-0000	1	Power Control Cable Assembly
-	AK36-00021-0003	1	Cable Assembly
-	AK61-00136-0000	1	Main Cable
-	118E-00001-0140	1	Reed Switch SPDT

## Clevis and Front Frame Covers



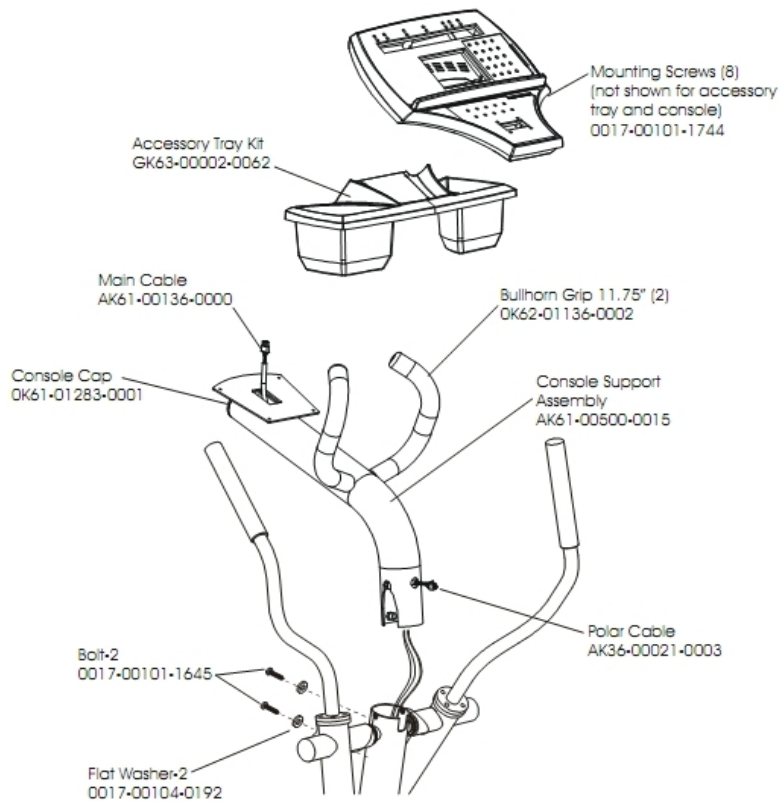
Ref #	Part Number	Qty	Description
-	AK61-00035-0000	4	Leg Leveler
-	GK61-00002-0011	1	Wheel and Cap Kit
-	AK61-00062-0001	2	Clevis Cover
-	0017-00101-1242	20	Hardware: Phillips Pan Screw 0.75"
-	OK61-06250-0002	1	Front Cover-RT
-	0017-00042-1066	2	Push-on cap
-	0017-00042-0754	14	Hardware: Grommet
-	0017-00042-0674	2	Wheel
-	OK61-06240-0002	1	Front Cover Left
-	OK61-01300-0000	1	Wheel Shaft
-	OK61-01284-0304	4	Stabilizer Cap

## Console Assembly



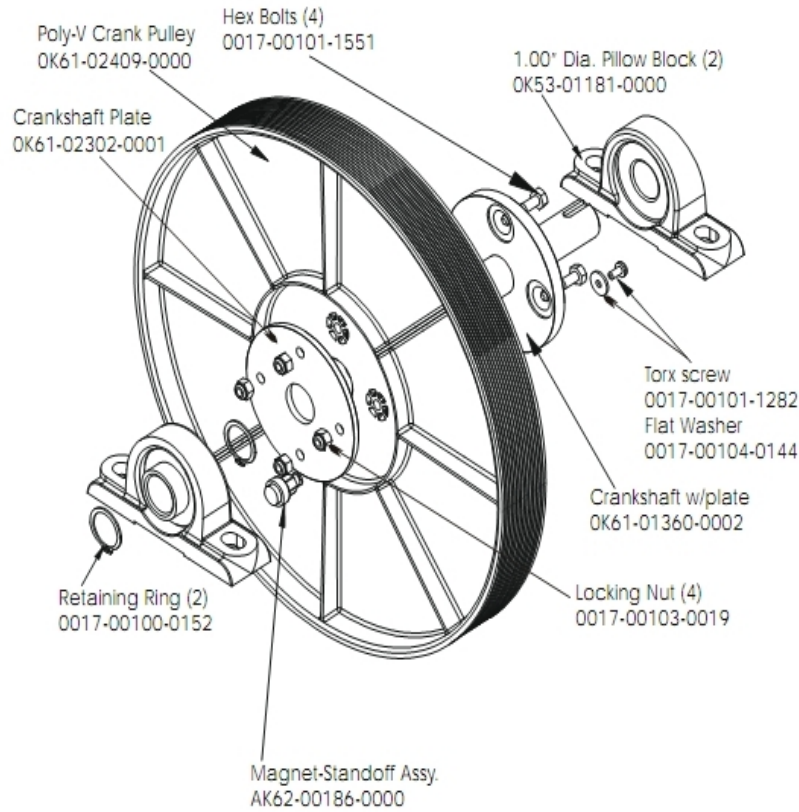
Ref #	Part Number	Qty	Description
-	A084-92219-A023	1	Console Board - Upper
-	B084-92222-B000	1	Console Board - Lower
-	AK63-00075-0001	1	Bezel/Switch Assembly
-	AK61-00207-0001	1	Bezel Switch with Overlay: English/Metric
-	118E-00001-0140	1	Reed Switch SPDT
-	0017-00101-1650	13	Hardware: Phillips Pan Screw 0.375"
-	AK61-00206-0001R	1	Console with Overlay Assembly: Mfg; English/LED; 9
-	AK63-00121-0001	1	Console Case Assembly
-	0K63-01029-0001	1	Battery Door

## Console Support Assembly



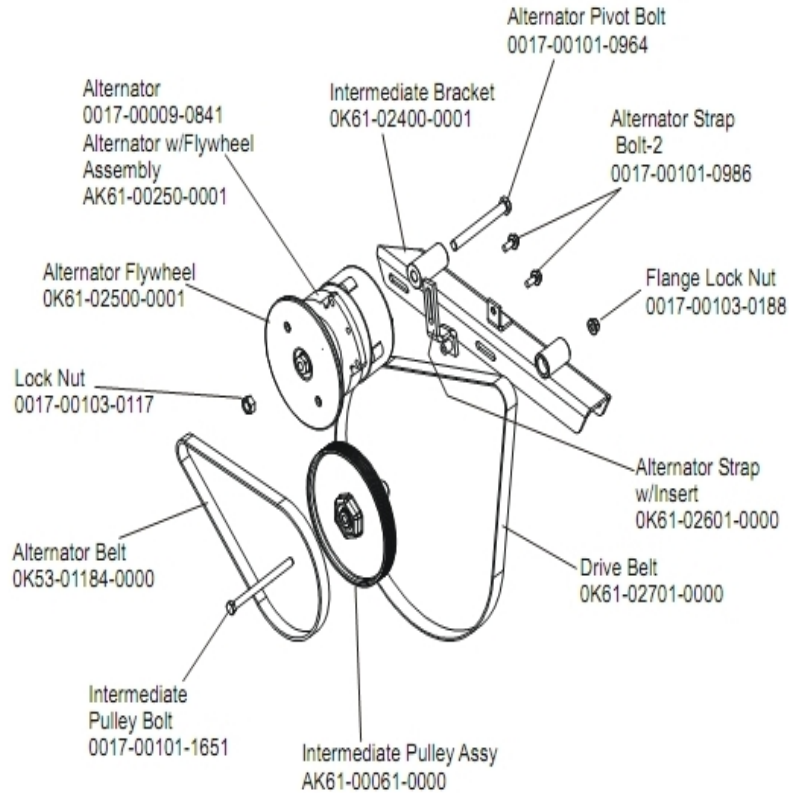
Ref #	Part Number	Qty	Description
-	AK36-00021-0003	1	Cable Assembly
-	0017-00104-0192	2	Hardware: Flat Washer 0.813" OD
-	0017-00101-1645	2	Hardware: Bolt
-	OK61-01283-0001	1	Cap
-	AK61-00136-0000	1	Main Cable
-	GK63-00002-0062	1	Accessory Tray Kit
-	OK62-01136-0002	2	Bullhorn Grip 11.75"
-	0017-00101-1744	8	Hardware: Phillips Pan Screw
-	AK61-00500-0015	1	Console Support Assembly

## Crankshaft Assembly



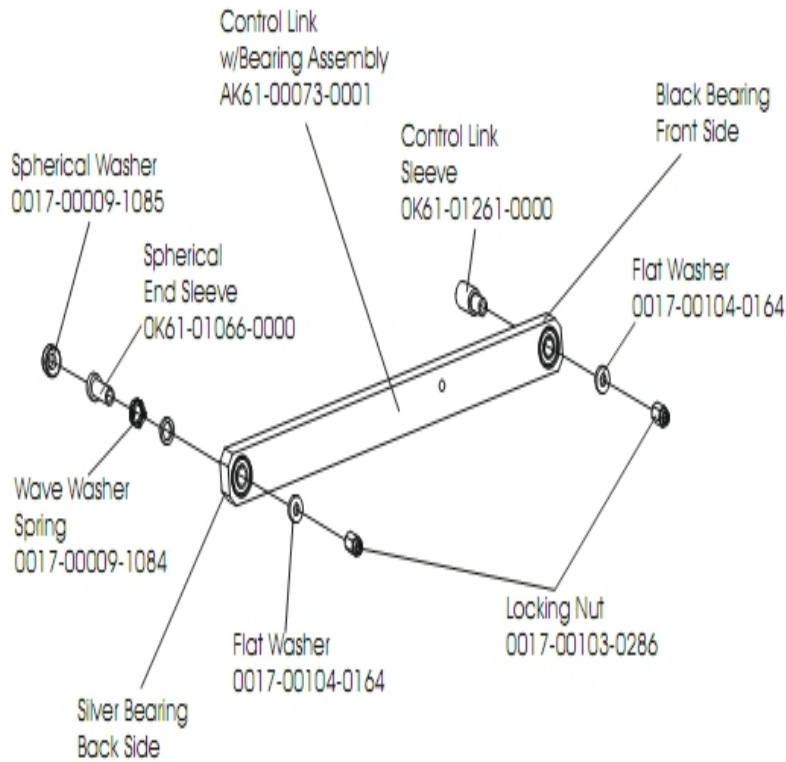
Ref #	Part Number	Qty	Description
-	0017-00103-0019	4	Hardware: Locking Nut 1/4" ID
-	AK62-00186-0000	1	Magnet-Standoff Assembly
-	0017-00101-1282	1	Hardware: TORX Screw 0.375"
-	OK61-02302-0001	1	Crankshaft Plate
-	0017-00104-0144	1	Hardware: Washer 0.625" OD
-	OK61-01360-0002	1	Crankshaft w/plate
-	OK61-02409-0000	1	Poly-V Crank Pulley
-	0017-00100-0152	2	Hardware: Retaining Ring 1"
-	0017-00101-1551	4	Hardware: Hex Bolt 1.25"
-	AK61-00157-0002	1	Crankshaft Assembly
-	OK53-01181-0000	2	Hardware: Pillow Block Bearing

## Drive Belts and Alternator



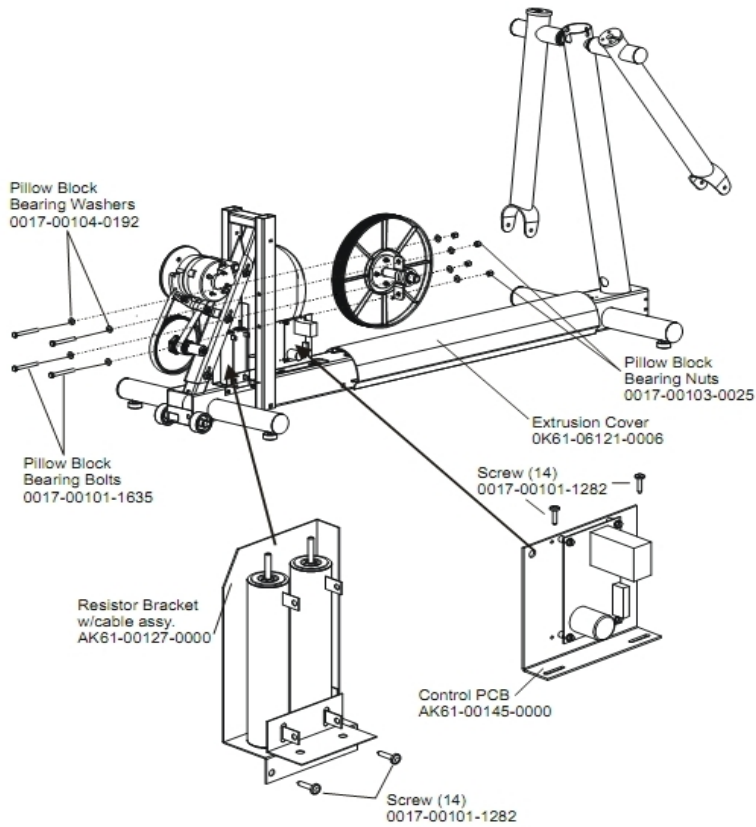
Ref #	Part Number	Qty	Description
-	OK53-01447-0000	1	Belt: Poly-V; 32"
-	OK61-01027-0000	1	Flywheel: 6.75" D
-	0017-00101-0964	1	Hardware: Alternator Pivot Bolt 4.5"
-	0017-00009-0841	1	Alternator
-	AK61-00061-0000	1	Intermediate Pulley Assembly
-	OK61-02400-0001	1	Intermediate Bracket
-	0017-00101-1651	1	Hardware: Intermediate Pulley Bolt 5.5"
-	0017-00103-0188	1	Hardware: Flange Lock Nut 3/8" ID
-	GK61-00002-0056	1	KIT: CROSS TRAINER BELT AND PULLEY
-	0017-00101-0986	2	Hardware: Bolt 0.75"
-	0017-00103-0117	1	Hardware: Locking Nut 1/2" ID
-	AK61-00250-0001	1	Alternator w/Flywheel
-	OK61-02601-0000	1	Alternator Strap with Insert

## Drive Linkage Assembly



Ref #	Part Number	Qty	Description
-	0017-00009-1084	1	Wave Spring
-	0017-00104-0164	2	Hardware: Washer 0.75" OD
-	0017-00103-0286	1	Hardware: Locking Nut
-	0017-00009-1085	1	Spherical Washer
-	OK61-01066-0000	1	Spherical End Sleeve
-	GK61-00002-0020	2	Drive Linkage Assembly Kit
-	OK61-01261-0000	1	Control Link Sleeve

## Frame Assembly



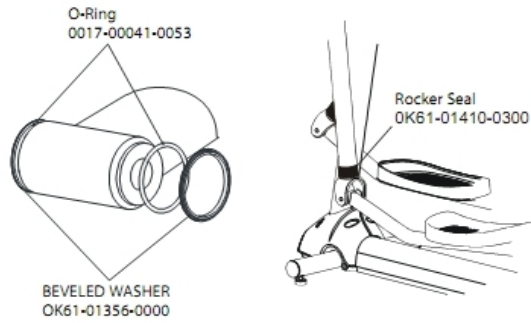
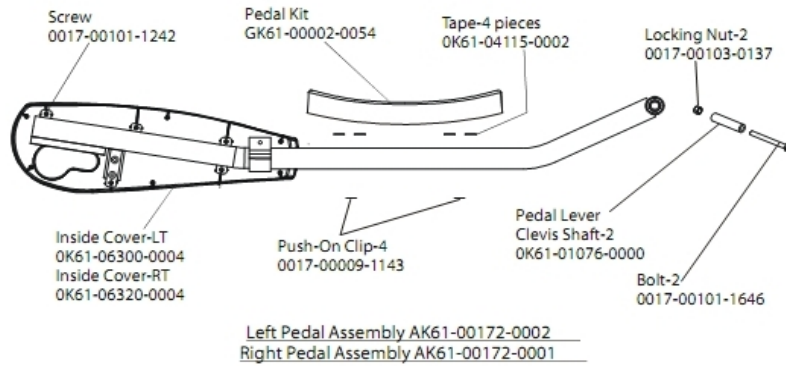
Ref #	Part Number	Qty	Description
-	0017-00104-0192	1	Hardware: Flat Washer 0.813" OD
-	0K61-06121-0008	1	Extrusion Cover
-	0017-00101-1282	28	Hardware: TORX Screw 0.375"
-	0017-00103-0025	1	Hardware: Locking Nut 3/8" ID
-	AK61-00145-0001	1	PCB Assembly
-	0017-00101-1635	1	Hardware: Hex Bolt 1"
-	AK61-00127-0000	1	Resistor Bracket Assembly

## Miscellaneous

---

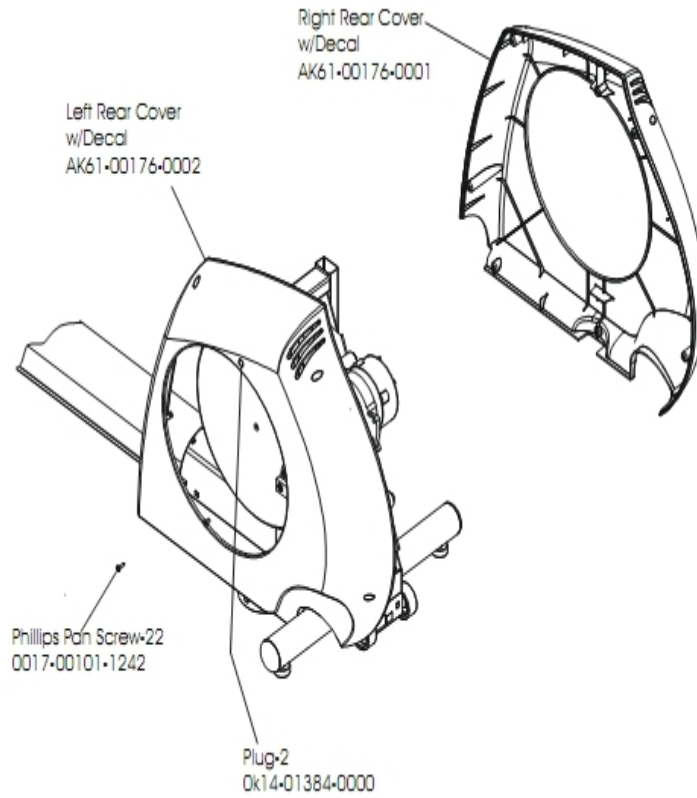
Ref #	Part Number	Qty	Description
-	0017-00021-2846	1	F-Type Panel Connector
-	0017-00008-0205	1	5 oz Bottle - Arctic Silver
-	0017-00008-0204	1	Paint Spray Can - Arctic Silver
-	AK32-00078-0001	1	Power Extension Cable: 120"
-	0017-00008-0199	1	Paint: Stealth Grey; 4.5OZ. Can
-	AK32-00020-0002	1	Coax Cable: 120"
-	AK61-00190-0000	1	Access Panel Assembly
-	0017-00008-0198	1	Paint: Stealth Grey; .6OZ. Bottle B
-	0017-00008-0206	1	.33oz Pen - Arctic Silver
-	0K32-01063-0000	1	Decal
-	0K61-01373-0003	1	BRKT: ACCESS
-	AK61-00181-0000	1	Hardware Bag

## Pedal Lever Assembly



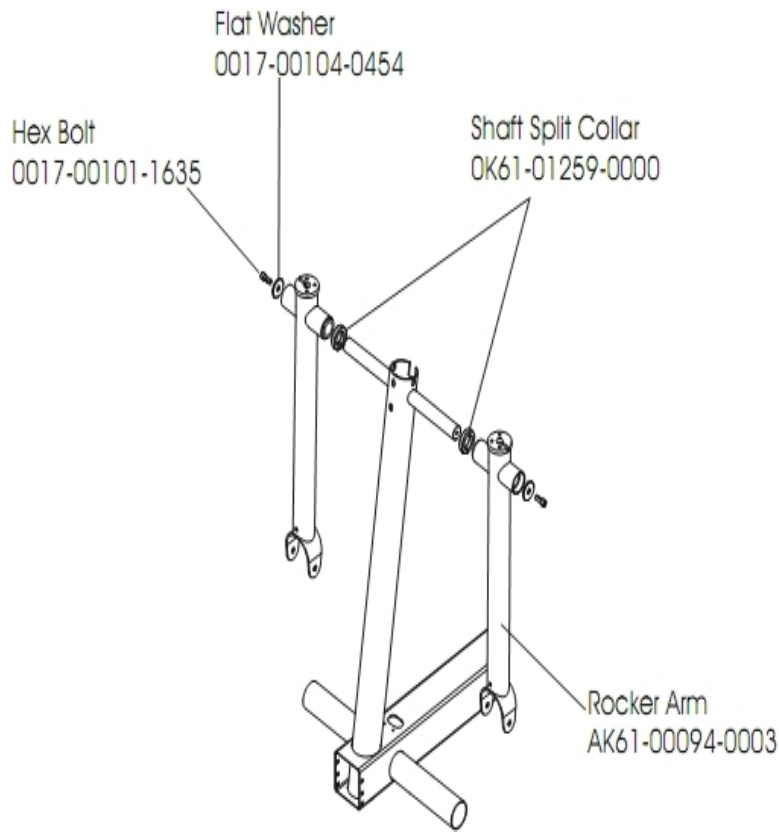
Ref #	Part Number	Qty	Description
-	0017-00009-1143	4	Clip
-	0017-00101-1242	1	Hardware: Phillips Pan Screw 0.75"
-	AK61-00172-0001	1	Pedal Assembly: Right
-	OK61-06320-0004	1	Inside Cover Right
-	0017-00101-1646	2	Hardware: Bolt 4.25"
-	GK61-00002-0054	1	Pedal Kit
-	AK61-00172-0002	1	Pedal Assembly: Left
-	OK61-01076-0000	2	Pedal Lever Clevis Shaft
-	0017-00041-0053	1	Viton O-ring
-	OK61-04115-0002	4	Adhesive Tape
-	OK61-06300-0004	1	Inside Cover Left
-	OK61-01410-0300	2	Rocker Seal
-	OK61-01356-0000	1	Hardware: Beveled Washer
-	0017-00103-0137	2	Hardware: Locking Nut 3/8" ID

## Rear Drive Shrouds with Decals



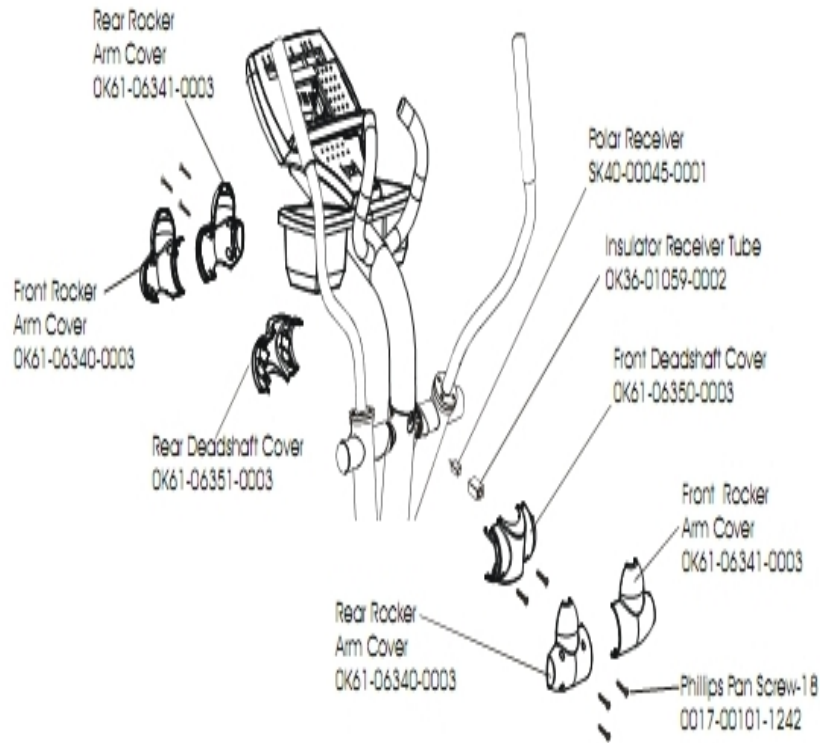
Ref #	Part Number	Qty	Description
-	0017-00101-1242	22	Hardware: Phillips Pan Screw 0.75"
-	AK61-00176-0001	1	Link Cover with Decal: Right
-	OK14-01384-0000	2	Plug
-	AK61-00176-0002	1	Link Cover with Decal: Left

## Rocker Arm Assembly



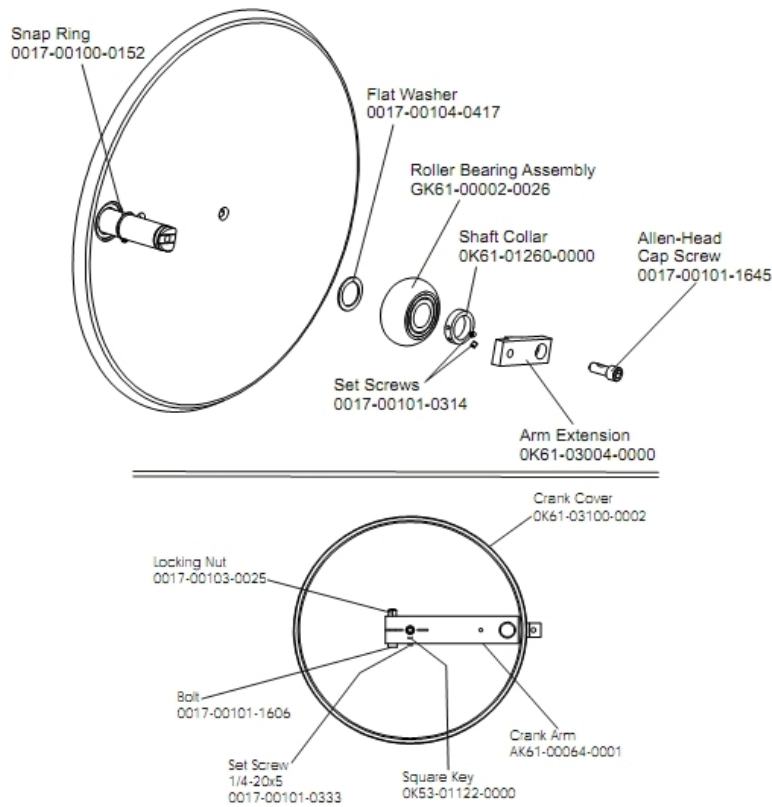
Ref #	Part Number	Qty	Description
-	OK61-01259-0000	1	Shaft Split Collar
-	0017-00101-1635	1	Hardware: Hex Bolt 1"
-	AK61-00094-0003	1	Rocker Arm
-	0017-00104-0454	1	Hardware: Flat Washer 1.62" OD

## Rocker Arm Covers



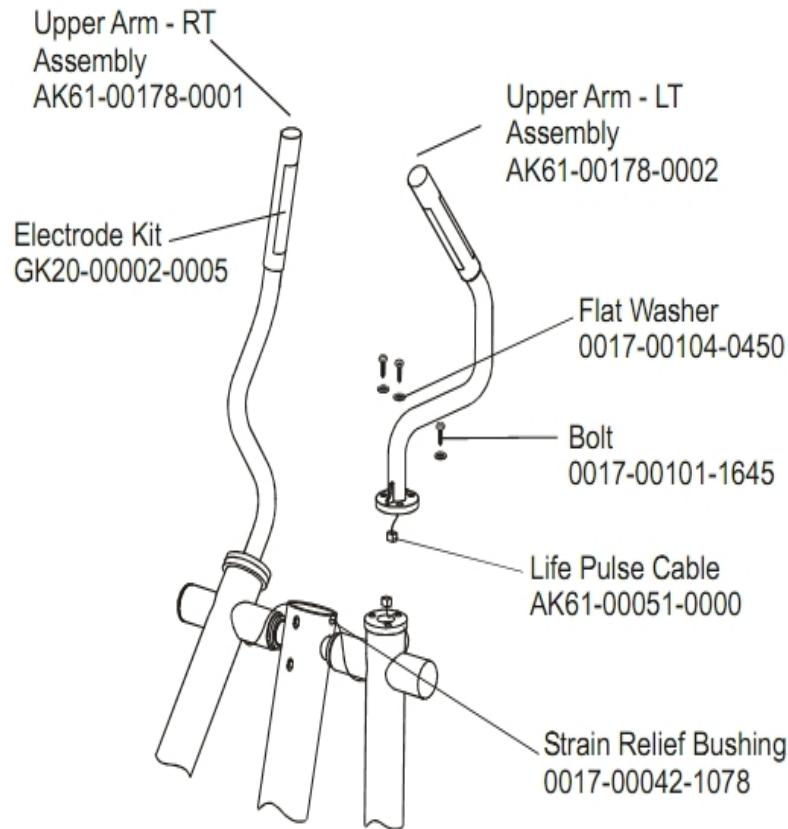
Ref #	Part Number	Qty	Description
-	0017-00101-1242	18	Hardware: Phillips Pan Screw 0.75"
-	OK36-01059-0002	1	Insulator Receiver Tube
-	OK61-06350-0003	1	Front Deadshaft Cover
-	SK40-00045-0001	1	Polar HR Kit
-	OK61-06341-0003	2	Front Rocker Arm Cover
-	OK61-06351-0003	1	Rear Deadshaft Cover
-	OK61-06340-0003	2	Front Rocker Arm Cover

## Roller Assembly



Ref #	Part Number	Qty	Description
-	OK53-01122-0000	1	Square Key
-	0017-00101-1606	1	Hardware: Hex Bolt 2.5"
-	0017-00101-0314	1	Hardware: Screw 0.1875"
-	0017-00100-0152	1	Hardware: Retaining Ring 1"
-	OK61-03004-0000	1	Arm Extension
-	OK61-03100-0002	1	Crank Cover
-	0017-00104-0417	1	Hardware: Flat Washer
-	GK61-00002-0026	1	Roller
-	AK61-00064-0001	1	Crank Arm
-	0017-00103-0025	1	Hardware: Locking Nut 3/8" ID
-	0017-00101-1645	1	Hardware: Bolt
-	0017-00101-0333	1	Hardware: Screw 0.3125"
-	OK61-01260-0000	1	Crank Arm Shaft Collar

## Upper Arm/Heart Rate Assembly



Ref #	Part Number	Qty	Description
-	AK61-00178-0001	1	Upper Arm Assembly: Right
-	AK61-00178-0002	1	Upper Arm Assembly: Left
-	0017-00042-1078	1	Hardware: Bushing
-	0017-00101-1645	1	Hardware: Bolt
-	GK20-00002-0005	1	Heart Rate Electrode Kit
-	0017-00104-0450	1	Hardware: Flat Washer 0.67" OD
-	AK61-00051-0000	1	Bullhorn HR cables

