

91X Classic Rear Drive Cross-Trainer

91X-0004-01

Parts Manual

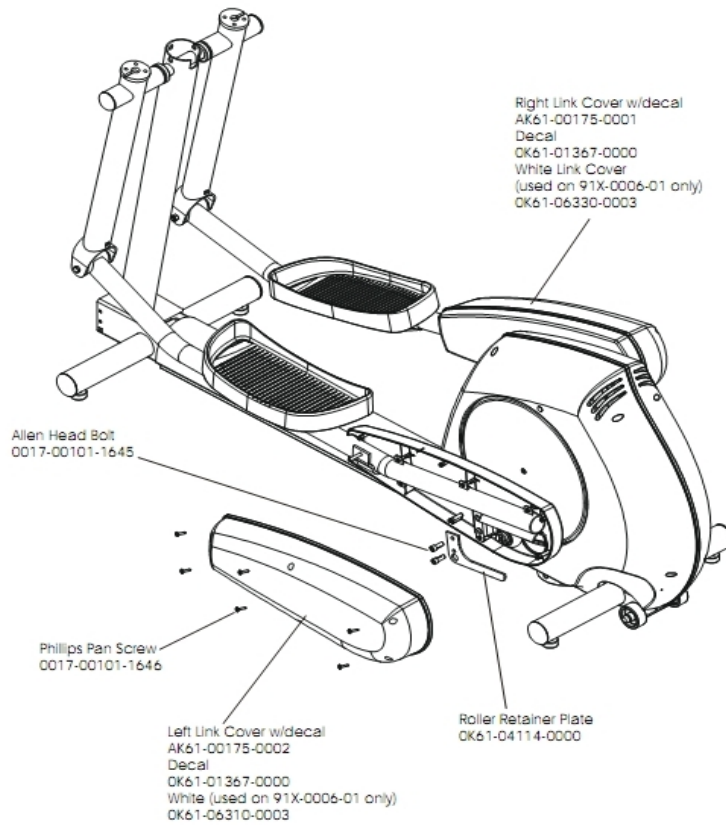
1/5/2019 7:16:55 AM



Table of Contents

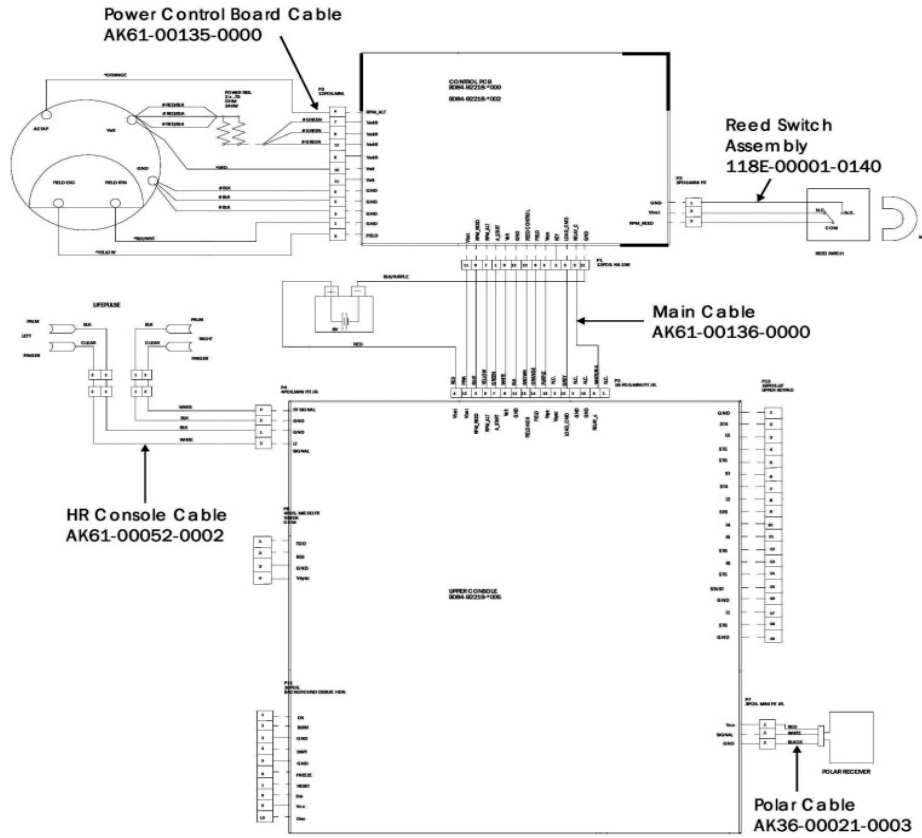
Anti Lift Bracket and Outer Pedal Covers	3
Cables	4
Clevis and Front Frame Covers	5
Console Assembly	6
Console Support Assembly	7
Crankshaft Assembly	8
Drive Belts and Alternator	9
Frame Assembly	10
Pedal Lever Assembly	11
Rear Drive Shrouds with Decals	12
References	13
Rocker Arm Assembly	14
Rocker Arm Covers	15
Roller Assembly	16
Tie Rod Kit	17
Upper Arm/Heart Rate Assembly	18

Anti Lift Bracket and Outer Pedal Covers



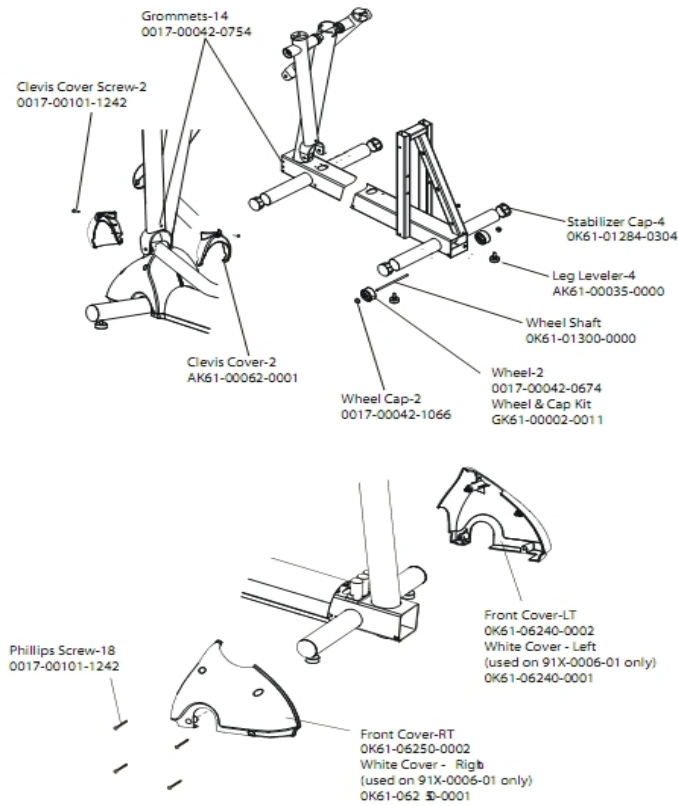
Ref #	Part Number	Qty	Description
-	AK61-00175-0002	1	Link Cover with Decal: Left
-	AK61-00175-0001	1	Link Cover with Decal: Right
-	0017-00101-1646	6	Hardware: Bolt 4.25"
-	OK61-01367-0000	2	Decal
-	OK61-06330-0003	1	White Link Cover
-	0017-00101-1645	1	Hardware: Bolt
-	OK61-04114-0000	1	Roller Retainer Plate

Cables



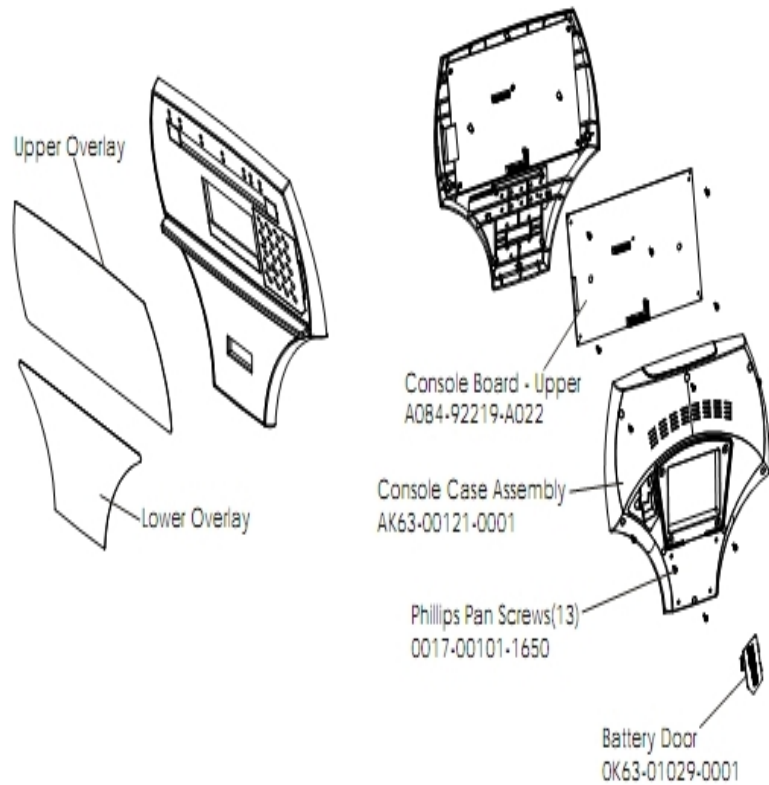
Ref #	Part Number	Qty	Description
-	AK61-00052-0002	1	Lifepulse Sensor Cable
-	118E-00001-0140	1	Reed Switch SPDT
-	AK61-00135-0000	1	Power Control Cable Assembly
-	AK61-00136-0000	1	Main Cable
-	AK36-00021-0003	1	Cable Assembly

Clevis and Front Frame Covers



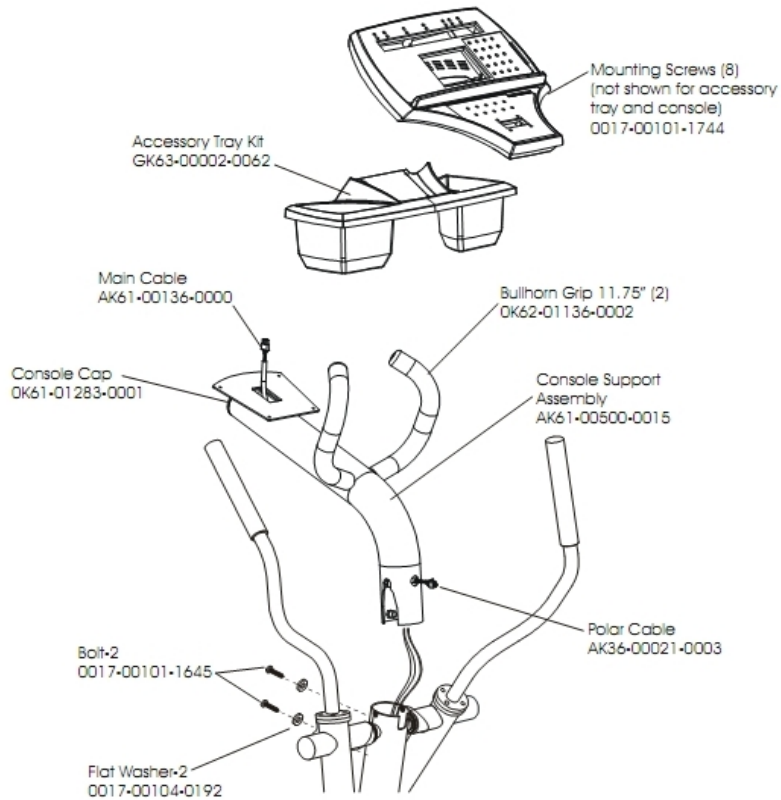
Ref #	Part Number	Qty	Description
-	0017-00101-1242	20	Hardware: Phillips Pan Screw 0.75"
-	OK61-01300-0000	1	Wheel Shaft
-	AK61-00062-0001	2	Clevis Cover
-	GK61-00002-0011	2	Wheel and Cap Kit
-	AK61-00035-0000	4	Leg Leveler
-	OK61-06240-0002	1	Front Cover Left
-	0017-00042-0674	2	Wheel
-	0017-00042-1066	2	Push-on cap
-	OK61-06250-0002	1	Front Cover-RT
-	OK61-01284-0304	4	Stabilizer Cap
-	0017-00042-0754	14	Hardware: Grommet

Console Assembly



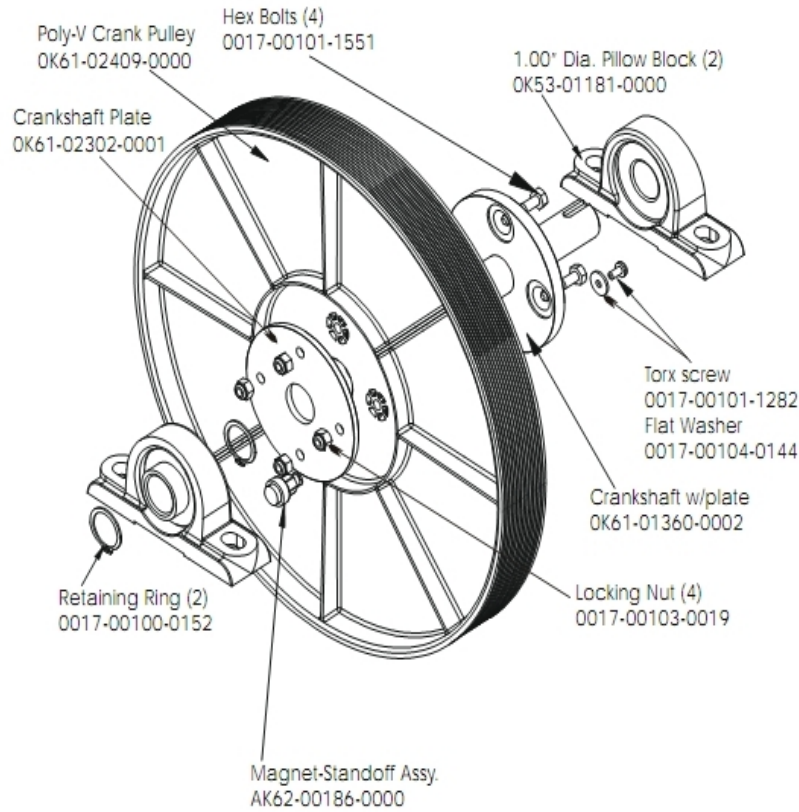
Ref #	Part Number	Qty	Description
-	AK61-00183-0001	1	Bezel Switch with Overlay: English/Metric
-	AK63-00121-0001	1	Console Case Assembly
-	OK63-01029-0001	1	Battery Door
-	AK61-00203-0001	1	Console: English/English
-	A084-92219-A022	1	Console Board - Upper
-	0017-00101-1650	13	Hardware: Phillips Pan Screw 0.375"

Console Support Assembly



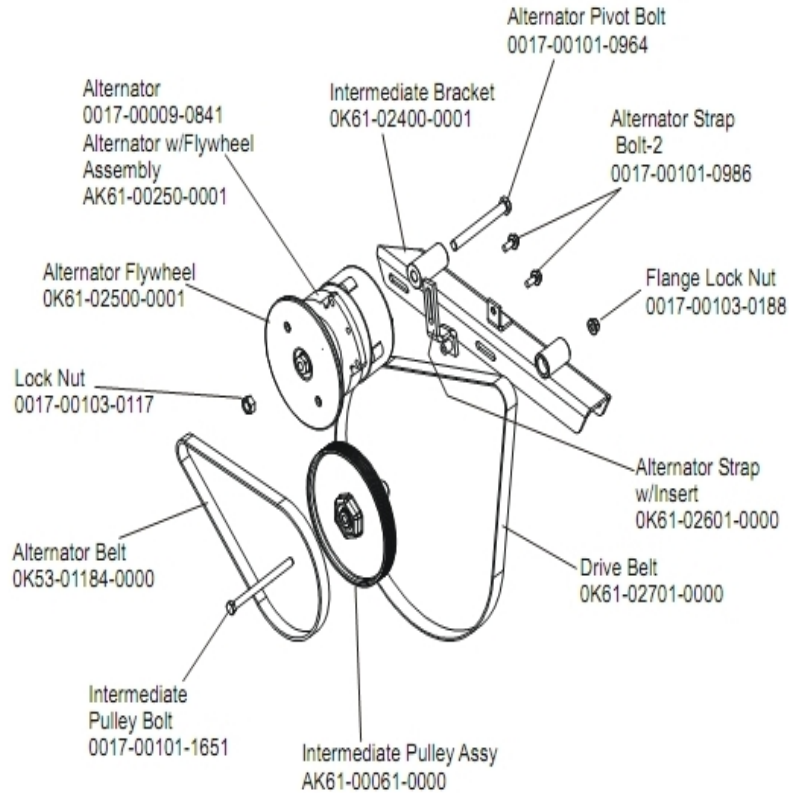
Ref #	Part Number	Qty	Description
-	AK61-00136-0000	1	Main Cable
-	GK63-00002-0062	1	Accessory Tray Kit
-	0017-00104-0192	2	Hardware: Flat Washer 0.813" OD
-	AK61-00500-0015	1	Console Support Assembly
-	OK62-01136-0002	2	Bullhorn Grip 11.75"
-	0017-00101-1744	8	Hardware: Phillips Pan Screw
-	0017-00101-1645	2	Hardware: Bolt
-	OK61-01283-0001	1	Cap
-	AK36-00021-0003	1	Cable Assembly

Crankshaft Assembly



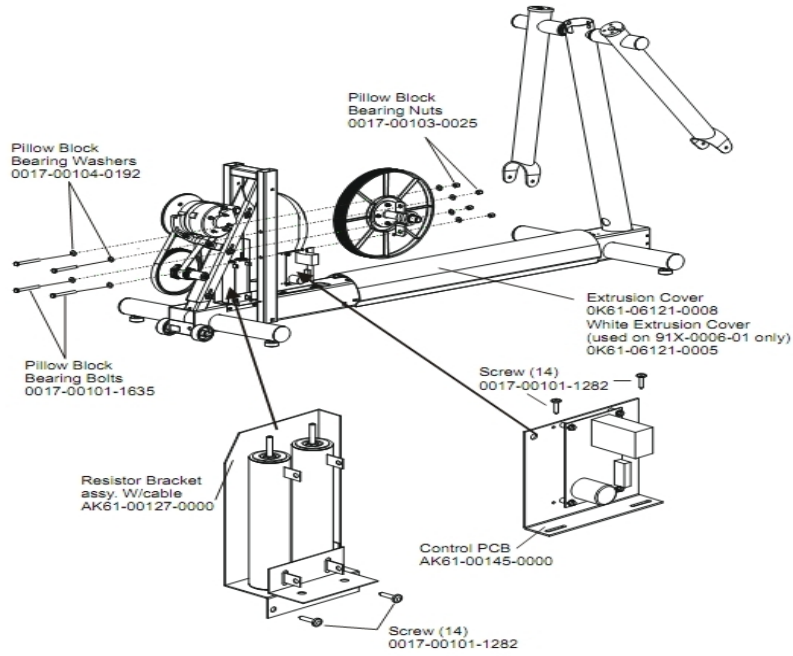
Ref #	Part Number	Qty	Description
-	0017-00101-1551	4	Hardware: Hex Bolt 1.25"
-	0017-00103-0019	4	Hardware: Locking Nut 1/4" ID
-	0017-00100-0152	2	Hardware: Retaining Ring 1"
-	OK61-02409-0000	1	Poly-V Crank Pulley
-	OK61-01360-0002	1	Crankshaft w/plate
-	OK53-01181-0000	2	Hardware: Pillow Block Bearing
-	OK61-02302-0001	1	Crankshaft Plate
-	0017-00101-1282	1	Hardware: TORX Screw 0.375"
-	0017-00104-0144	1	Hardware: Washer 0.625" OD
-	AK62-00186-0000	1	Magnet-Standoff Assembly
-	AK61-00157-0002	1	Crankshaft Assembly

Drive Belts and Alternator



Ref #	Part Number	Qty	Description
-	0017-00101-0986	2	Hardware: Bolt 0.75"
-	0017-00103-0117	1	Hardware: Locking Nut 1/2" ID
-	OK53-01447-0000	1	Belt: Poly-V; 32"
-	OK61-01027-0000	1	Flywheel: 6.75" D
-	GK61-00002-0056	1	KIT: CROSS TRAINER BELT AND PULLEY
-	AK61-00250-0001	1	Alternator w/Flywheel
-	AK61-00061-0000	1	Intermediate Pulley Assembly
-	0017-00103-0188	1	Hardware: Flange Lock Nut 3/8" ID
-	0017-00101-1651	1	Hardware: Intermediate Pulley Bolt 5.5"
-	0017-00009-0841	1	Alternator
-	0017-00101-0964	1	Hardware: Alternator Pivot Bolt 4.5"
-	OK61-02400-0001	1	Intermediate Bracket
-	OK61-02601-0000	1	Alternator Strap with Insert

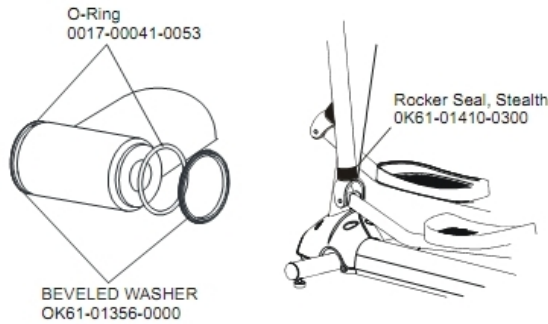
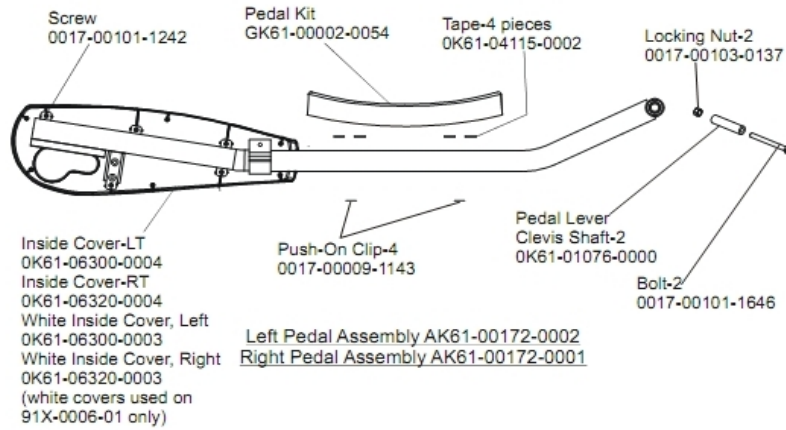
Frame Assembly



11

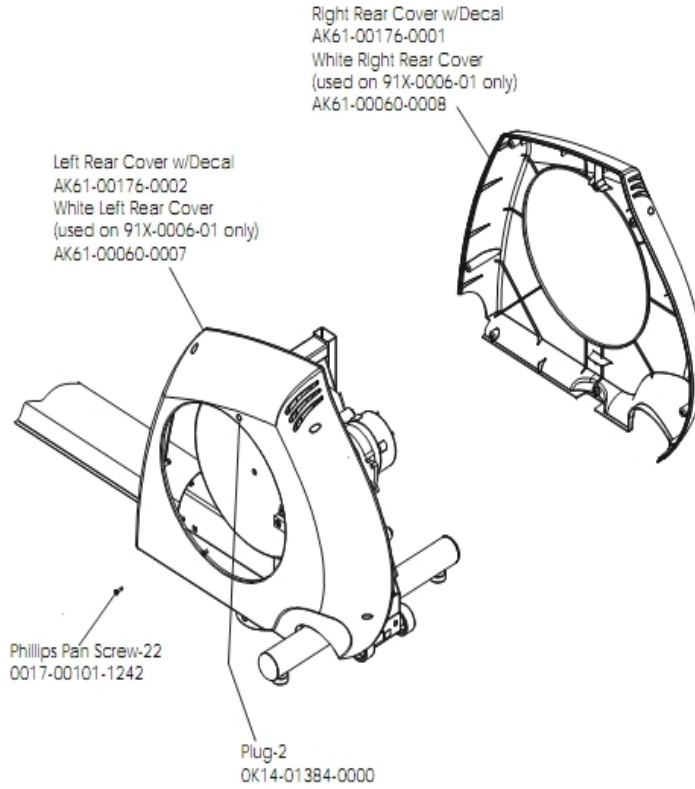
Ref #	Part Number	Qty	Description
-	0017-00104-0192	8	Hardware: Flat Washer 0.813" OD
-	0K61-06121-0005	1	Extrusion Cover
-	AK61-00145-0001	1	PCB Assembly
-	0017-00103-0025	4	Hardware: Locking Nut 3/8" ID
-	AK61-00127-0000	1	Resistor Bracket Assembly
-	0K61-06121-0008	1	Extrusion Cover
-	0017-00101-1635	4	Hardware: Hex Bolt 1"
-	0017-00101-1282	28	Hardware: TORX Screw 0.375"

Pedal Lever Assembly



Ref #	Part Number	Qty	Description
-	0017-00101-1646	4	Hardware: Bolt 4.25"
-	OK61-06320-0004	2	Inside Cover Right
-	OK61-01410-0300	2	Rocker Seal
-	OK61-04115-0002	8	Adhesive Tape
-	0017-00041-0053	2	Viton O-ring
-	OK61-01076-0000	4	Pedal Lever Clevis Shaft
-	AK61-00172-0001	1	Pedal Assembly: Right
-	AK61-00172-0002	1	Pedal Assembly: Left
-	GK61-00002-0054	2	Pedal Kit
-	0017-00101-1242	2	Hardware: Phillips Pan Screw 0.75"
-	0017-00009-1143	8	Clip
-	0017-00103-0137	4	Hardware: Locking Nut 3/8" ID
-	OK61-01356-0000	2	Hardware: Beveled Washer
-	OK61-06300-0004	2	Inside Cover Left

Rear Drive Shrouds with Decals

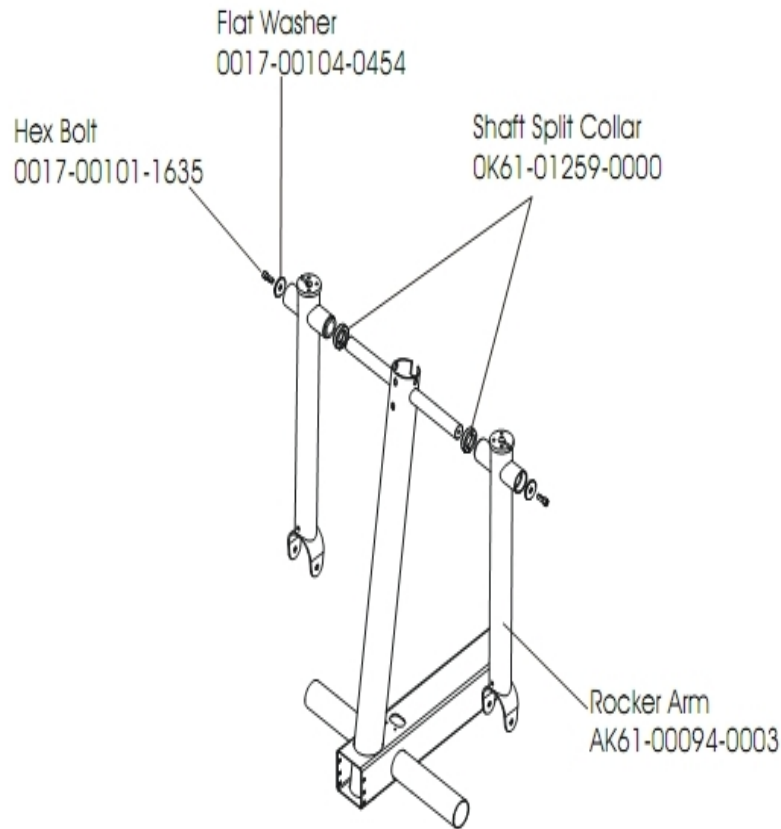


Ref #	Part Number	Qty	Description
-	AK61-00176-0001	1	Link Cover with Decal: Right
-	0017-00101-1242	22	Hardware: Phillips Pan Screw 0.75"
-	OK14-01384-0000	2	Plug
-	AK61-00176-0002	1	Link Cover with Decal: Left

References

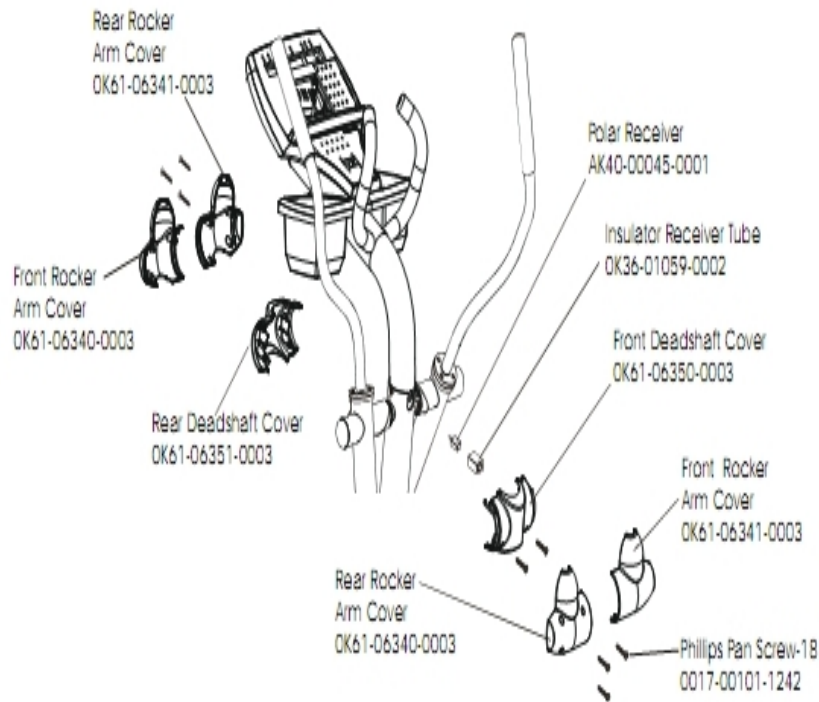
Ref #	Part Number	Qty	Description
-	AK61-00181-0000	1	Hardware Bag
-	0K61-01076-0000	1	Pedal Lever Clevis Shaft
-	0017-00008-0205	1	5 oz Bottle - Arctic Silver
-	0017-00101-0333	1	Hardware: Screw 0.3125"
-	0017-00008-0199	1	Paint: Stealth Grey; 4.5OZ. Can
-	0017-00008-0198	1	Paint: Stealth Grey; .6OZ. Bottle B
-	0017-00008-0206	1	.33oz Pen - Arctic Silver
-	0017-00003-0685	1	6V Battery
-	0017-00008-0204	1	Paint Spray Can - Arctic Silver
-	SK40-00045-0001	1	Polar HR Kit

Rocker Arm Assembly



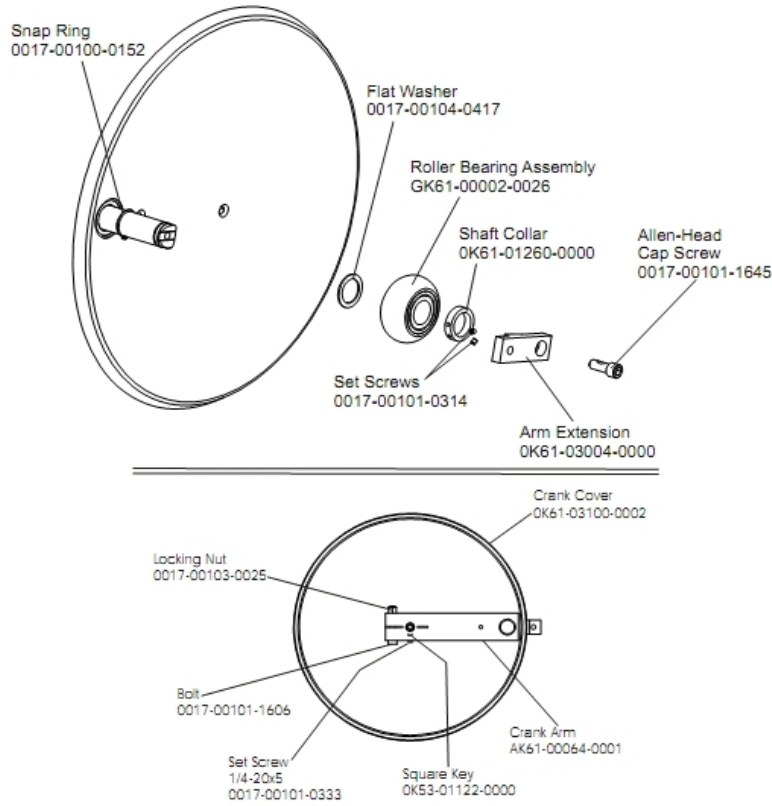
Ref #	Part Number	Qty	Description
-	AK61-00094-0003	2	Rocker Arm
-	0017-00104-0454	2	Hardware: Flat Washer 1.62" OD
-	0017-00101-1635	2	Hardware: Hex Bolt 1"
-	OK61-01259-0000	2	Shaft Split Collar

Rocker Arm Covers



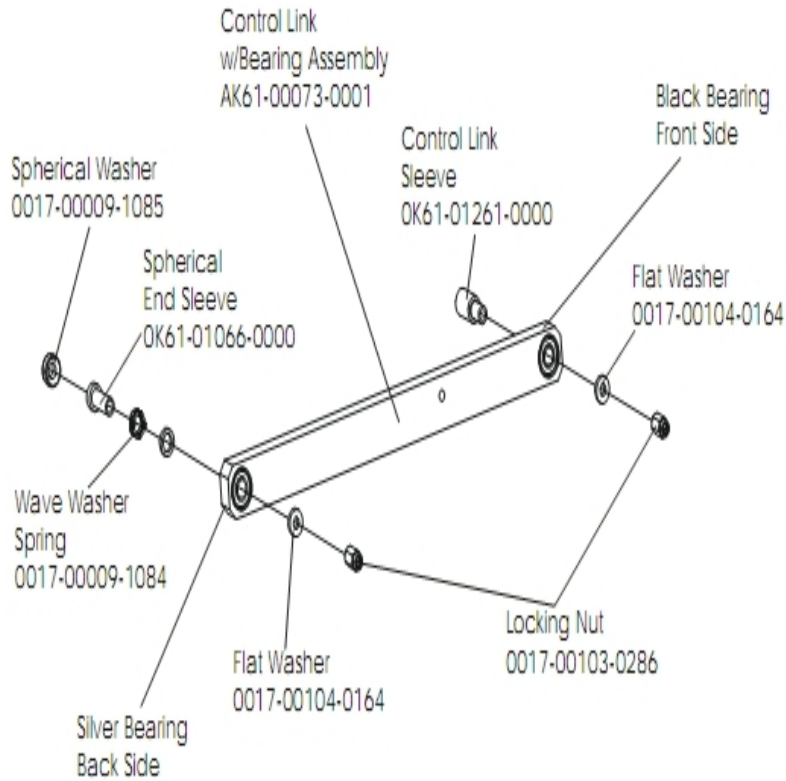
Ref #	Part Number	Qty	Description
-	OK61-06351-0003	1	Rear Deadshaft Cover
-	OK61-06340-0003	2	Front Rocker Arm Cover
-	0017-00101-1242	18	Hardware: Phillips Pan Screw 0.75"
-	OK61-06341-0003	2	Front Rocker Arm Cover
-	SK40-00045-0001	1	Polar HR Kit
-	OK36-01059-0002	1	Insulator Receiver Tube
-	OK61-06350-0003	1	Front Deadshaft Cover

Roller Assembly



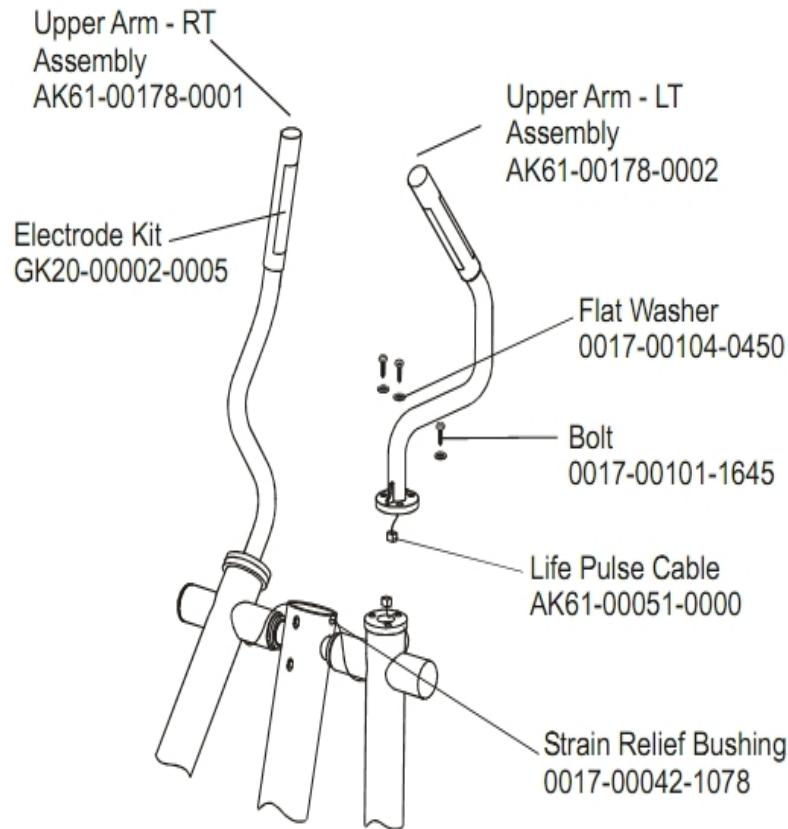
Ref #	Part Number	Qty	Description
-	OK53-01122-0000	2	Square Key
-	0017-00100-0152	2	Hardware: Retaining Ring 1"
-	OK61-03004-0000	2	Arm Extension
-	OK61-03100-0002	2	Crank Cover
-	0017-00104-0417	2	Hardware: Flat Washer
-	OK61-01260-0000	2	Crank Arm Shaft Collar
-	GK61-00002-0026	2	Roller
-	AK61-00064-0001	2	Crank Arm
-	0017-00103-0025	2	Hardware: Locking Nut 3/8" ID
-	0017-00101-1645	2	Hardware: Bolt
-	0017-00101-0333	2	Hardware: Screw 0.3125"
-	0017-00101-1606	2	Hardware: Hex Bolt 2.5"
-	0017-00101-0314	2	Hardware: Screw 0.1875"

Tie Rod Kit



Ref #	Part Number	Qty	Description
-	GK61-00002-0020	2	Drive Linkage Assembly Kit
-	OK61-01261-0000	1	Control Link Sleeve
-	0017-00009-1084	1	Wave Spring
-	0017-00104-0164	2	Hardware: Washer 0.75" OD
-	0017-00103-0286	2	Hardware: Locking Nut
-	0017-00009-1085	1	Spherical Washer
-	OK61-01066-0000	1	Spherical End Sleeve

Upper Arm/Heart Rate Assembly



Ref #	Part Number	Qty	Description
-	0017-00104-0450	3	Hardware: Flat Washer 0.67" OD
-	AK61-00051-0000	1	Bullhorn HR cables
-	0017-00101-1645	3	Hardware: Bolt
-	AK61-00178-0002	1	Upper Arm Assembly: Left
-	0017-00042-1078	1	Hardware: Bushing
-	AK61-00178-0001	1	Upper Arm Assembly: Right
-	GK20-00002-0005	2	Heart Rate Electrode Kit

