

91Xi Classic Cross-Trainer w/Upgraded Console

91X-0007-02

Parts Manual

1/5/2019 7:18:21 AM



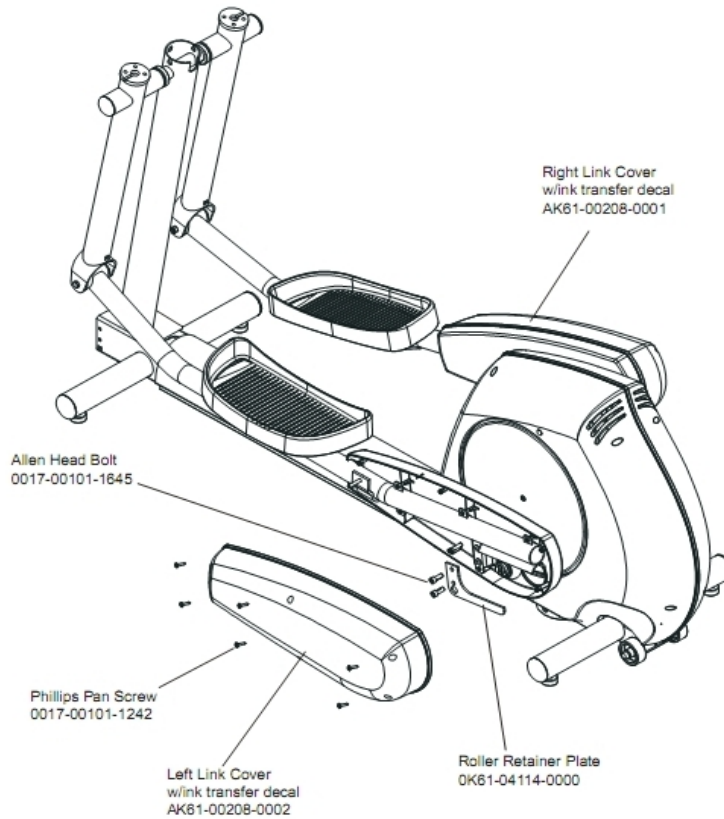


91X-0007-02 - 91XI CLASSIC
CROSS-TRAINER W/UPGRADED
CONSOLE

Table of Contents

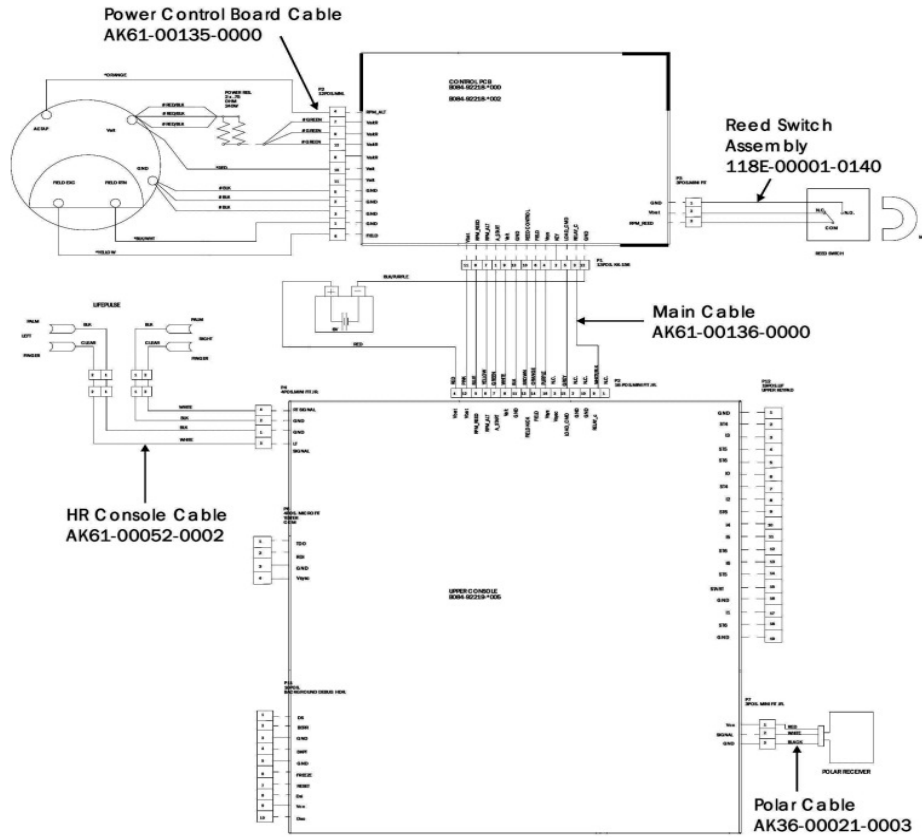
Anti Lift Bracket and Outer Pedal Covers	3
Cables	4
Clevis and Front Frame Covers	5
Console Assembly	6
Console Support Assembly	7
Crankshaft Assembly	8
Drive Belts and Alternator	9
Drive Linkage Assembly	10
Frame Assembly	11
Miscellaneous	12
Pedal Lever Assembly	13
Rear Drive Shrouds with Decals	14
Rocker Arm Assembly	15
Rocker Arm Covers	16
Roller Assembly	17
Upper Arm/Heart Rate Assembly	18

Anti Lift Bracket and Outer Pedal Covers



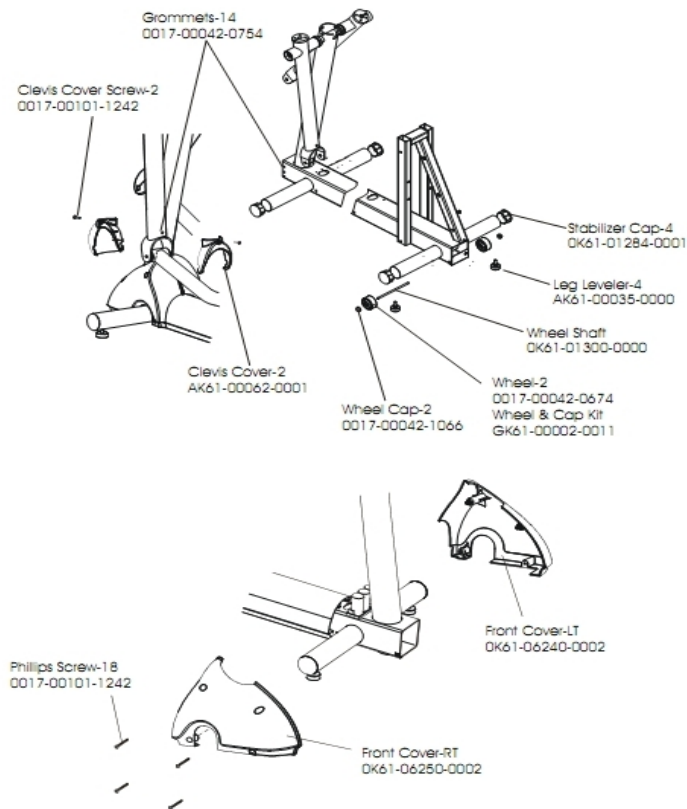
Ref #	Part Number	Qty	Description
-	0K61-04114-0000	1	Roller Retainer Plate
-	0017-00101-1242	1	Hardware: Phillips Pan Screw 0.75"
-	AK61-00208-0002	1	Link Cover with Decal: Left
-	AK61-00208-0001	1	Link Cover with Decal: Right
-	0017-00101-1645	1	Hardware: Bolt

Cables



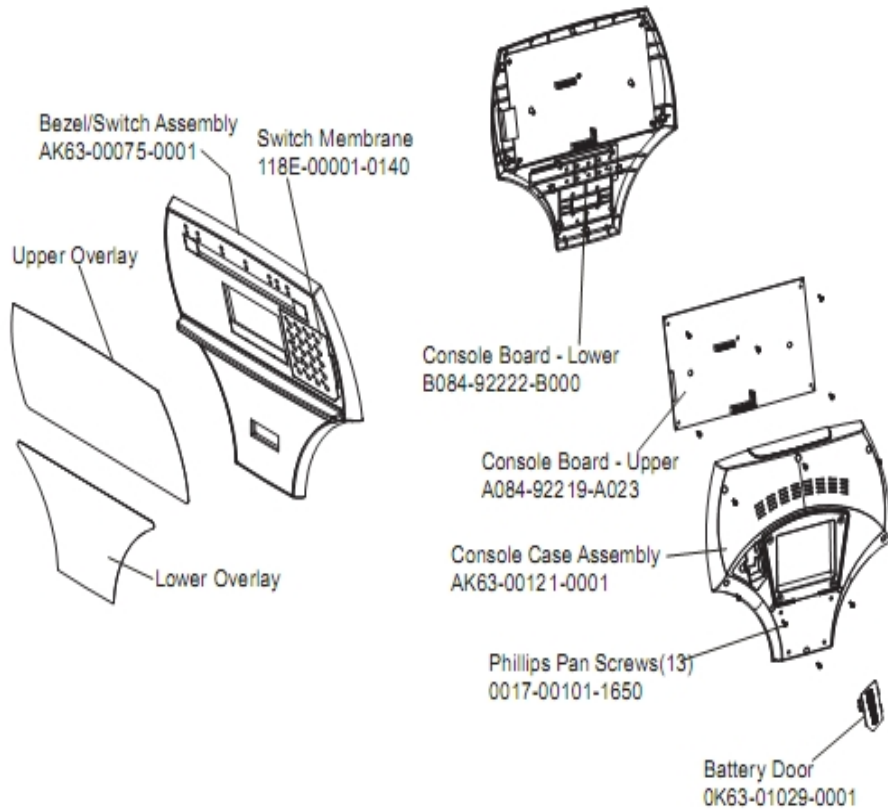
Ref #	Part Number	Qty	Description
-	AK61-00136-0000	1	Main Cable
-	AK61-00135-0000	1	Power Control Cable Assembly
-	118E-00001-0140	1	Reed Switch SPDT
-	AK36-00021-0003	1	Cable Assembly
-	AK61-00052-0002	1	Lifepulse Sensor Cable

Clevis and Front Frame Covers



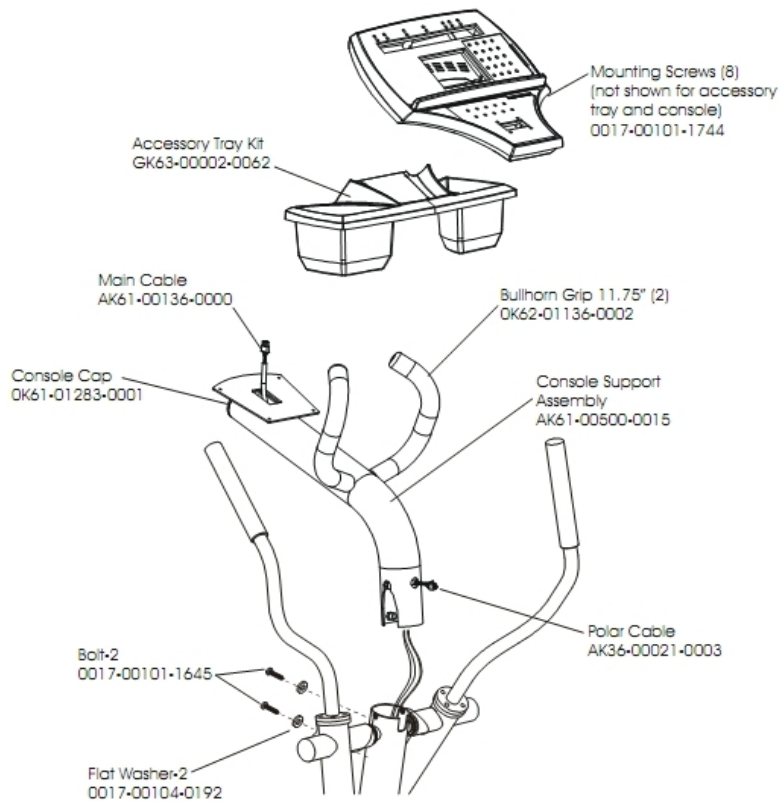
Ref #	Part Number	Qty	Description
-	AK61-00062-0001	2	Clevis Cover
-	OK61-01300-0000	1	Wheel Shaft
-	0017-00101-1242	20	Hardware: Phillips Pan Screw 0.75"
-	0017-00042-1066	2	Push-on cap
-	0017-00042-0674	2	Wheel
-	AK61-00035-0000	4	Leg Leveler
-	OK61-06240-0002	1	Front Cover Left
-	OK61-01284-0304	4	Stabilizer Cap
-	0017-00042-0754	14	Hardware: Grommet
-	GK61-00002-0011	2	Wheel and Cap Kit
-	OK61-06250-0002	1	Front Cover-RT

Console Assembly



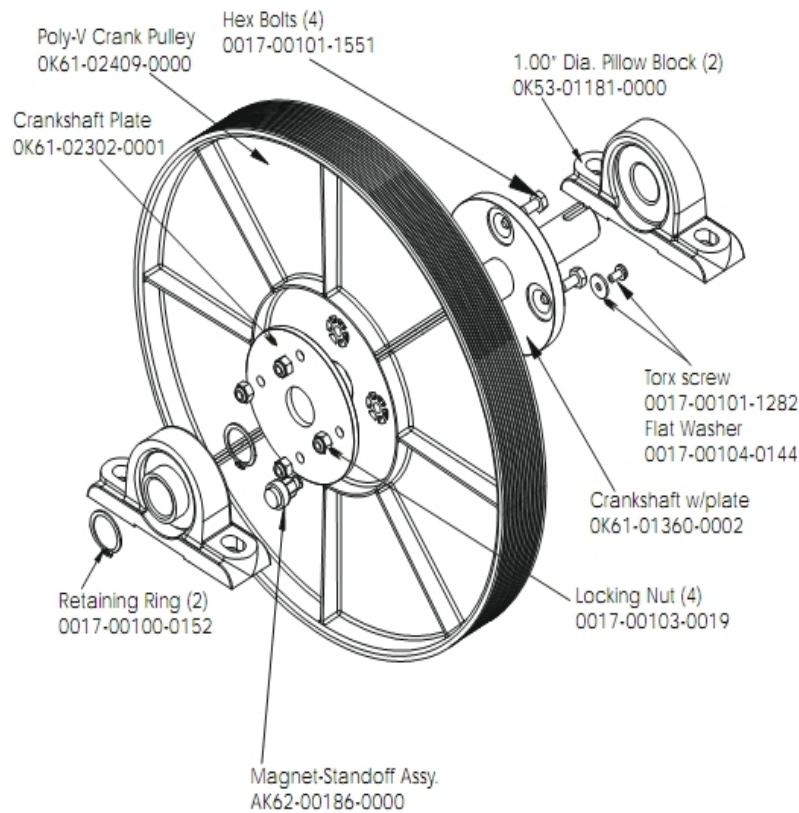
Ref #	Part Number	Qty	Description
-	0017-00101-1650	13	Hardware: Phillips Pan Screw 0.375"
-	B084-92222-B000	1	Console Board - Lower
-	AK63-00075-0001	1	Bezel/Switch Assembly
-	AK61-00207-0001	1	Bezel Switch with Overlay: English/Metric
-	118E-00001-0140	1	Reed Switch SPDT
-	A084-92219-A023	1	Console Board - Upper
-	AK61-00206-0001R	1	Console with Overlay Assembly: Mfg; English/LED; 9
-	AK63-00121-0001	1	Console Case Assembly
-	0K63-01029-0001	1	Battery Door

Console Support Assembly



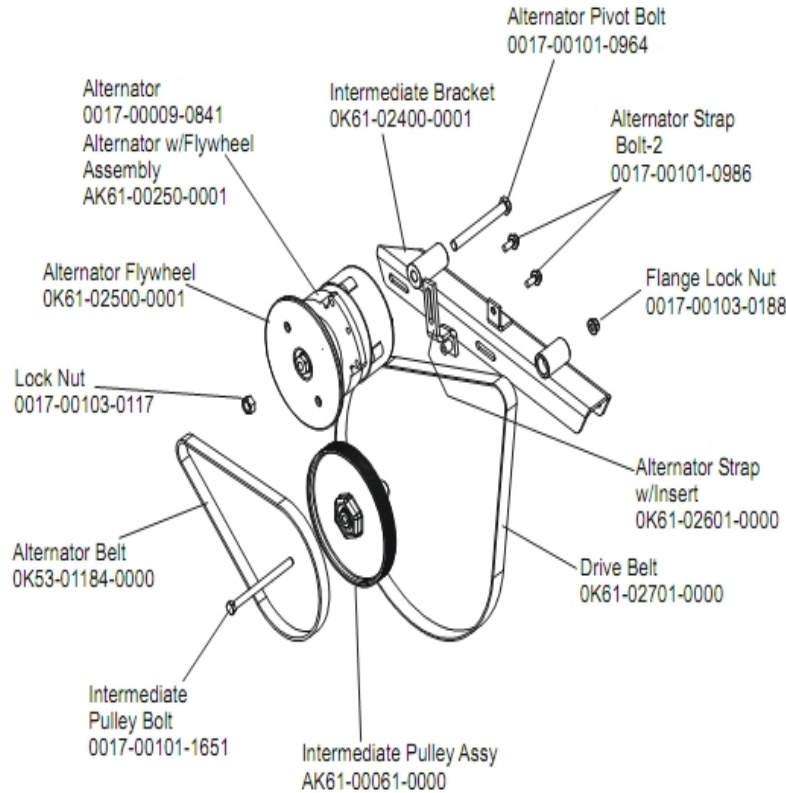
Ref #	Part Number	Qty	Description
-	0017-00101-1645	2	Hardware: Bolt
-	0K61-01283-0001	1	Cap
-	AK61-00500-0015	1	Console Support Assembly
-	GK63-00002-0062	1	Accessory Tray Kit
-	0017-00104-0192	2	Hardware: Flat Washer 0.813" OD
-	AK61-00136-0000	1	Main Cable
-	0017-00101-1744	8	Hardware: Phillips Pan Screw
-	AK36-00021-0003	1	Cable Assembly
-	0K62-01136-0002	2	Bullhorn Grip 11.75"

Crankshaft Assembly



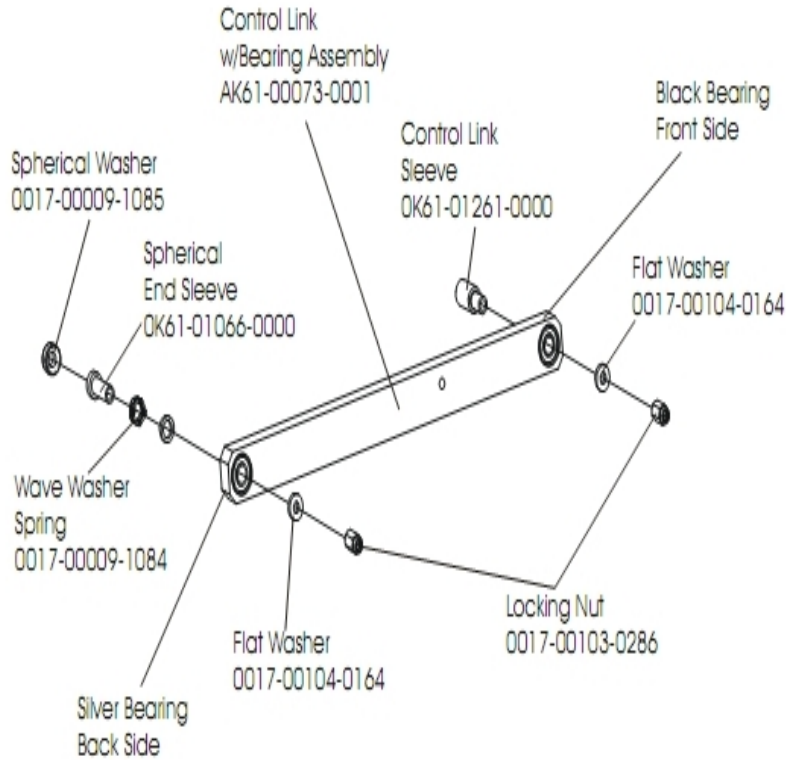
Ref #	Part Number	Qty	Description
-	0017-00100-0152	2	Hardware: Retaining Ring 1"
-	OK61-01360-0002	1	Crankshaft w/plate
-	0017-00104-0144	1	Hardware: Washer 0.625" OD
-	0017-00101-1551	4	Hardware: Hex Bolt 1.25"
-	OK61-02409-0000	1	Poly-V Crank Pulley
-	AK62-00186-0000	1	Magnet-Standoff Assembly
-	OK61-02302-0001	1	Crankshaft Plate
-	0017-00101-1282	1	Hardware: TORX Screw 0.375"
-	0017-00103-0019	4	Hardware: Locking Nut 1/4" ID
-	OK53-01181-0000	2	Hardware: Pillow Block Bearing
-	AK61-00157-0002	1	Crankshaft Assembly

Drive Belts and Alternator



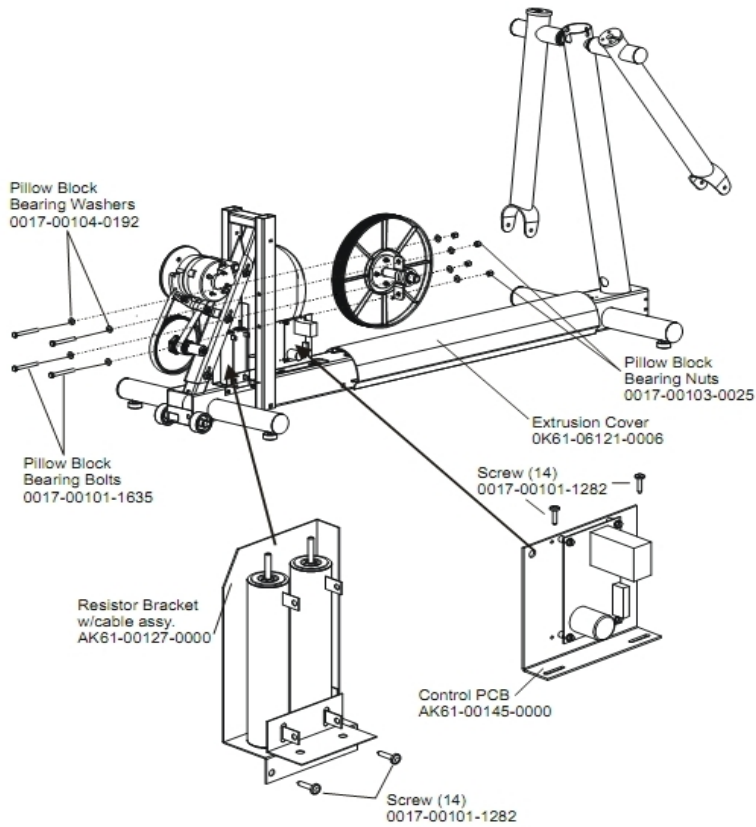
Ref #	Part Number	Qty	Description
-	0017-00101-0986	2	Hardware: Bolt 0.75"
-	AK61-00061-0000	1	Intermediate Pulley Assembly
-	0017-00103-0117	1	Hardware: Locking Nut 1/2" ID
-	OK61-02400-0001	1	Intermediate Bracket
-	0017-00101-0964	1	Hardware: Alternator Pivot Bolt 4.5"
-	0017-00009-0841	1	Alternator
-	0017-00101-1651	1	Hardware: Intermediate Pulley Bolt 5.5"
-	0017-00103-0188	1	Hardware: Flange Lock Nut 3/8" ID
-	OK61-02601-0000	1	Alternator Strap with Insert
-	OK53-01447-0000	1	Belt: Poly-V; 32"
-	OK61-01027-0000	1	Flywheel: 6.75" D
-	GK61-00002-0056	1	KIT: CROSS TRAINER BELT AND PULLEY
-	AK61-00250-0001	1	Alternator w/Flywheel

Drive Linkage Assembly



Ref #	Part Number	Qty	Description
-	GK61-00002-0020	2	Drive Linkage Assembly Kit
-	OK61-01066-0000	1	Spherical End Sleeve
-	0017-00009-1084	1	Wave Spring
-	0017-00009-1085	1	Spherical Washer
-	OK61-01261-0000	1	Control Link Sleeve
-	0017-00104-0164	2	Hardware: Washer 0.75" OD
-	0017-00103-0286	2	Hardware: Locking Nut

Frame Assembly

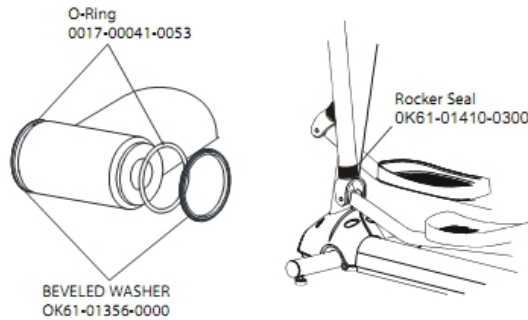
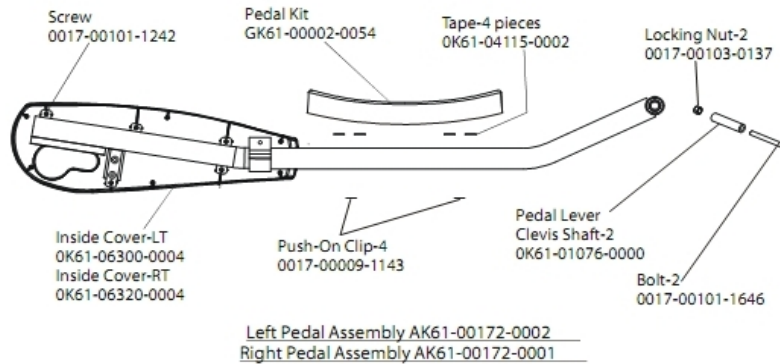


Ref #	Part Number	Qty	Description
-	0017-00104-0192	8	Hardware: Flat Washer 0.813" OD
-	AK61-00145-0001	1	PCB Assembly
-	0017-00101-1282	28	Hardware: TORX Screw 0.375"
-	0017-00103-0025	4	Hardware: Locking Nut 3/8" ID
-	0K61-06121-0008	1	Extrusion Cover
-	0017-00101-1635	4	Hardware: Hex Bolt 1"
-	AK61-00127-0000	1	Resistor Bracket Assembly

Miscellaneous

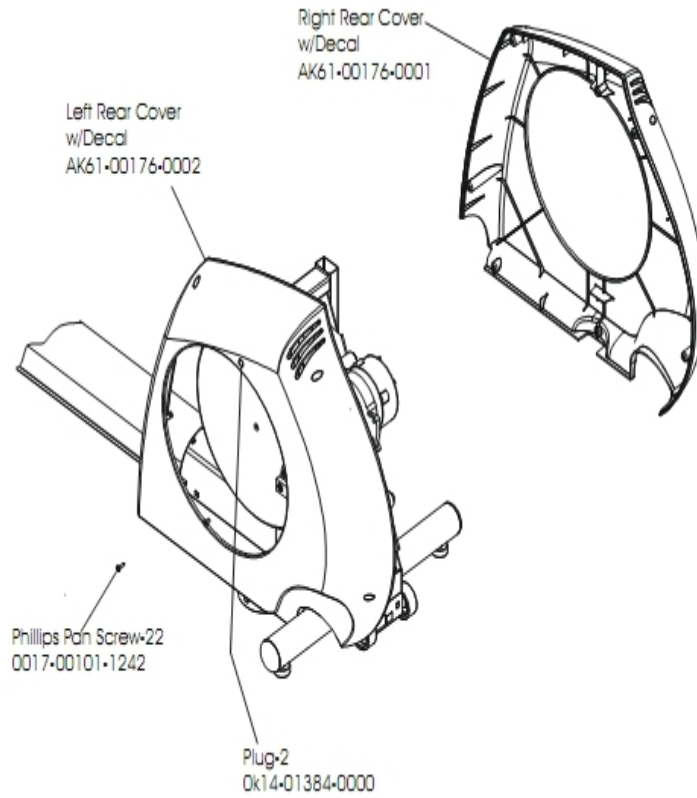
Ref #	Part Number	Qty	Description
-	0017-00021-2846	1	F-Type Panel Connector
-	0017-00008-0205	1	5 oz Bottle - Arctic Silver
-	AK32-00078-0001	1	Power Extension Cable: 120"
-	0017-00008-0204	1	Paint Spray Can - Arctic Silver
-	0017-00008-0199	1	Paint: Stealth Grey; 4.5OZ. Can
-	AK32-00020-0002	1	Coax Cable: 120"
-	0K32-01063-0000	1	Decal
-	0017-00008-0206	1	.33oz Pen - Arctic Silver
-	0017-00008-0198	1	Paint: Stealth Grey; .6OZ. Bottle B
-	AK61-00190-0000	1	Access Panel Assembly
-	0K61-01373-0003	1	BRKT: ACCESS
-	AK61-00181-0000	1	Hardware Bag

Pedal Lever Assembly



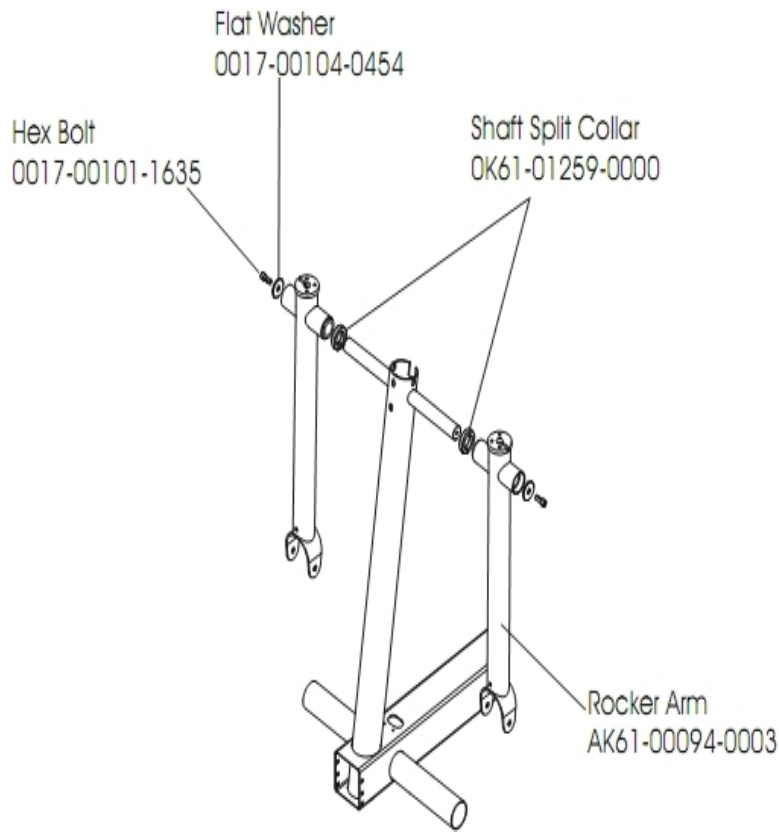
Ref #	Part Number	Qty	Description
-	OK61-04115-0002	8	Adhesive Tape
-	0017-00009-1143	8	Clip
-	0017-00101-1646	4	Hardware: Bolt 4.25"
-	0017-00103-0137	4	Hardware: Locking Nut 3/8" ID
-	AK61-00172-0001	1	Pedal Assembly: Right
-	OK61-01356-0000	2	Hardware: Beveled Washer
-	OK61-06300-0004	2	Inside Cover Left
-	0017-00101-1242	2	Hardware: Phillips Pan Screw 0.75"
-	OK61-01410-0300	2	Rocker Seal
-	0017-00041-0053	2	Viton O-ring
-	GK61-00002-0054	2	Pedal Kit
-	AK61-00172-0002	1	Pedal Assembly: Left
-	OK61-06320-0004	2	Inside Cover Right
-	OK61-01076-0000	4	Pedal Lever Clevis Shaft

Rear Drive Shrouds with Decals



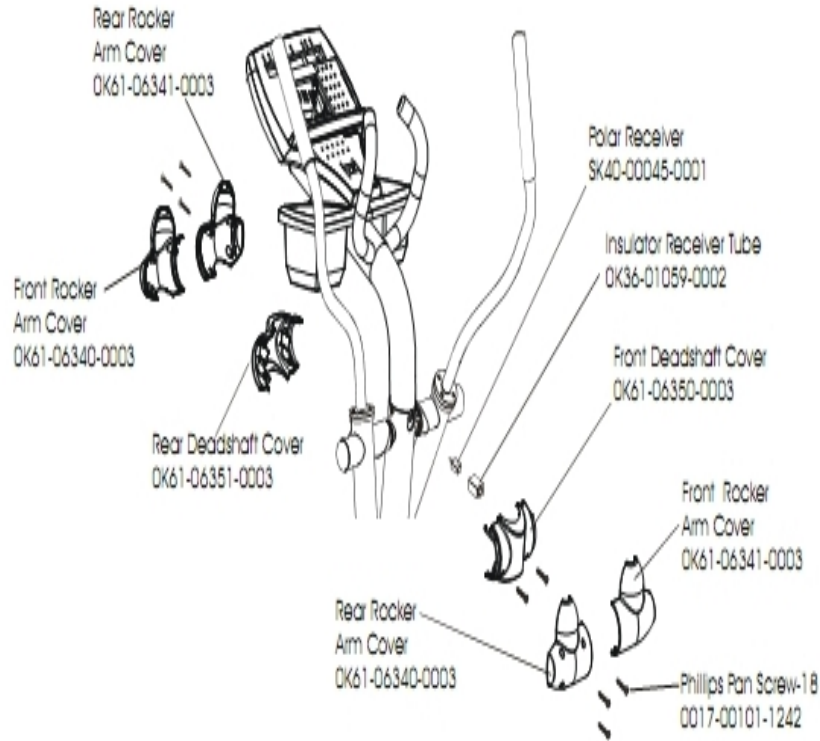
Ref #	Part Number	Qty	Description
-	0017-00101-1242	22	Hardware: Phillips Pan Screw 0.75"
-	AK61-00176-0001	1	Link Cover with Decal: Right
-	AK61-00176-0002	1	Link Cover with Decal: Left
-	0K14-01384-0000	2	Plug

Rocker Arm Assembly



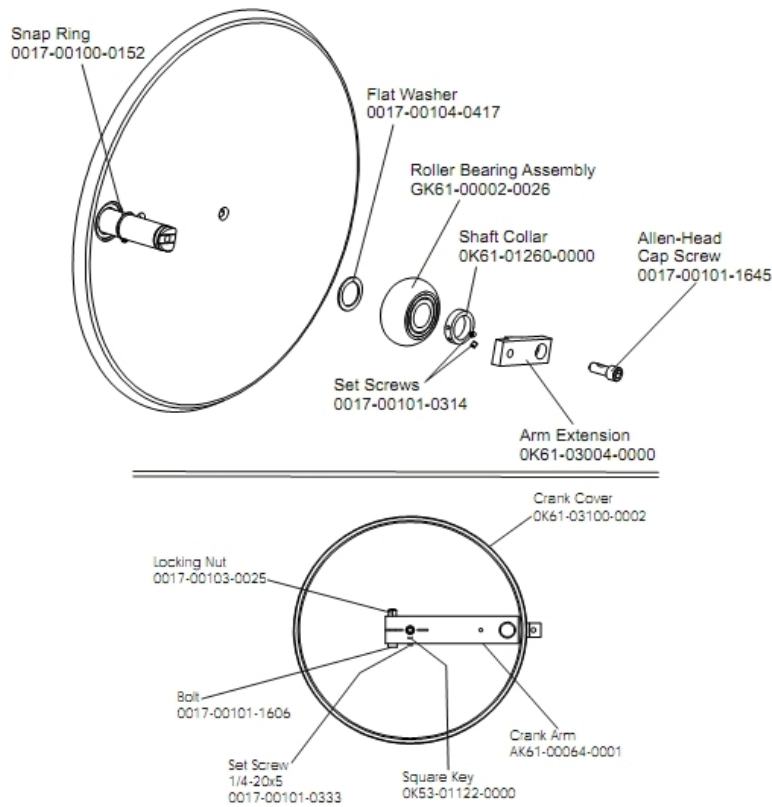
Ref #	Part Number	Qty	Description
-	0017-00101-1635	2	Hardware: Hex Bolt 1"
-	OK61-01259-0000	2	Shaft Split Collar
-	AK61-00094-0003	2	Rocker Arm
-	0017-00104-0454	2	Hardware: Flat Washer 1.62" OD

Rocker Arm Covers



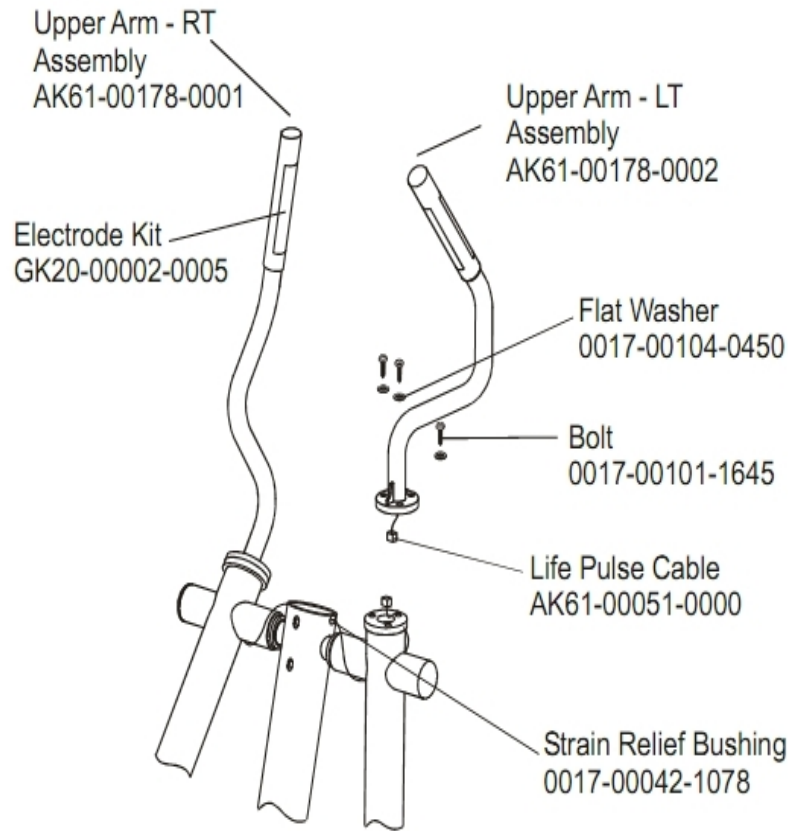
Ref #	Part Number	Qty	Description
-	SK40-00045-0001	1	Polar HR Kit
-	OK61-06340-0003	2	Front Rocker Arm Cover
-	0017-00101-1242	18	Hardware: Phillips Pan Screw 0.75"
-	OK61-06350-0003	1	Front Deadshaft Cover
-	OK36-01059-0002	1	Insulator Receiver Tube
-	OK61-06351-0003	1	Rear Deadshaft Cover
-	OK61-06341-0003	2	Front Rocker Arm Cover

Roller Assembly



Ref #	Part Number	Qty	Description
-	GK61-00002-0026	2	Roller
-	AK61-00064-0001	2	Crank Arm
-	0017-00103-0025	2	Hardware: Locking Nut 3/8" ID
-	0017-00101-1645	2	Hardware: Bolt
-	0017-00101-0333	2	Hardware: Screw 0.3125"
-	0017-00101-1606	2	Hardware: Hex Bolt 2.5"
-	0017-00101-0314	2	Hardware: Screw 0.1875"
-	OK53-01122-0000	2	Square Key
-	0017-00100-0152	2	Hardware: Retaining Ring 1"
-	OK61-03004-0000	2	Arm Extension
-	0017-00104-0417	2	Hardware: Flat Washer
-	OK61-03100-0002	2	Crank Cover
-	OK61-01260-0000	2	Crank Arm Shaft Collar

Upper Arm/Heart Rate Assembly



Ref #	Part Number	Qty	Description
-	0017-00042-1078	1	Hardware: Bushing
-	0017-00101-1645	3	Hardware: Bolt
-	AK61-00178-0002	1	Upper Arm Assembly: Left
-	0017-00104-0450	3	Hardware: Flat Washer 0.67" OD
-	GK20-00002-0005	2	Heart Rate Electrode Kit
-	AK61-00178-0001	1	Upper Arm Assembly: Right
-	AK61-00051-0000	1	Bullhorn HR cables

