

# 91X Classic Rear Drive Cross-Trainer

91X-0103-01

## Parts Manual

1/5/2019 7:18:22 AM



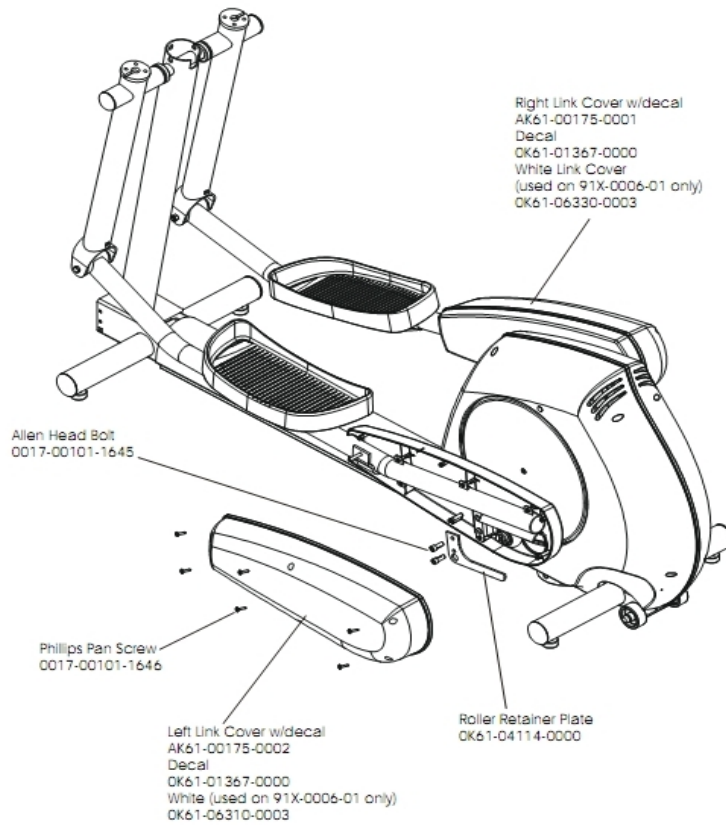
*LifeFitness*  
WHAT WE LIVE FOR

**Table of Contents**

---

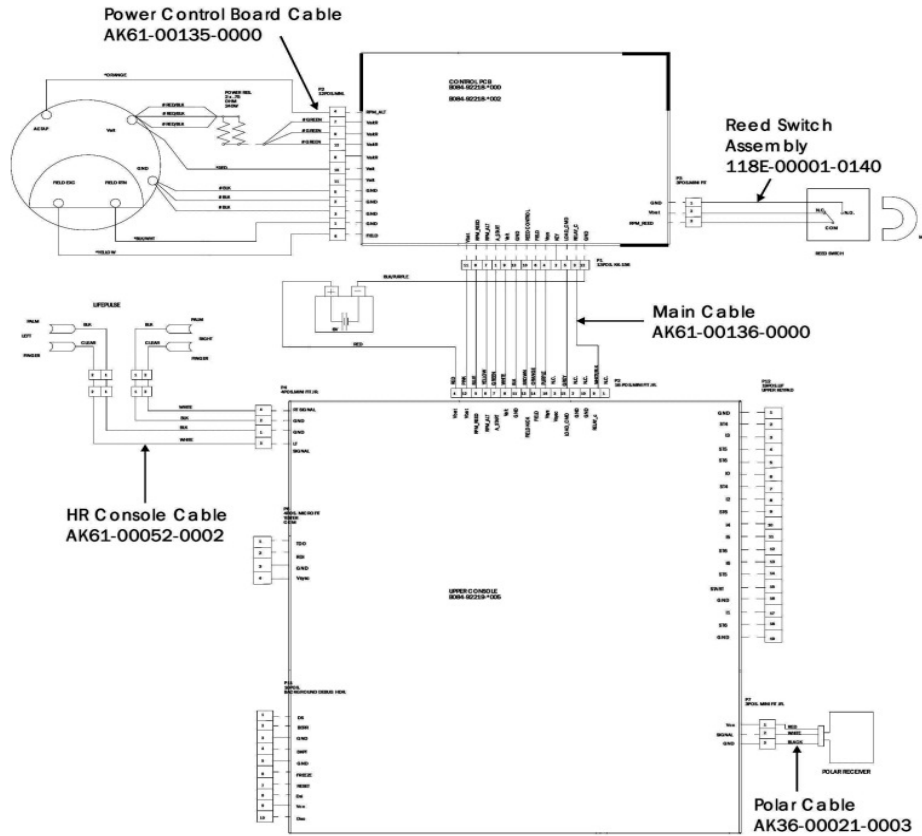
<a href="#">Anti Lift Bracket and Outer Pedal Covers</a> .....	3
<a href="#">Cables</a> .....	4
<a href="#">Clevis and Front Frame Covers</a> .....	5
<a href="#">Console Assembly</a> .....	6
<a href="#">Console Support Assembly</a> .....	7
<a href="#">Crankshaft Assembly</a> .....	8
<a href="#">Drive Belts and Alternator</a> .....	9
<a href="#">Frame Assembly</a> .....	10
<a href="#">Pedal Lever Assembly</a> .....	11
<a href="#">Rear Drive Shrouds with Decals</a> .....	12
<a href="#">References</a> .....	13
<a href="#">Rocker Arm Assembly</a> .....	14
<a href="#">Rocker Arm Covers</a> .....	15
<a href="#">Roller Assembly</a> .....	16
<a href="#">Tie Rod Kit</a> .....	17
<a href="#">Upper Arm/Heart Rate Assembly</a> .....	18

## Anti Lift Bracket and Outer Pedal Covers



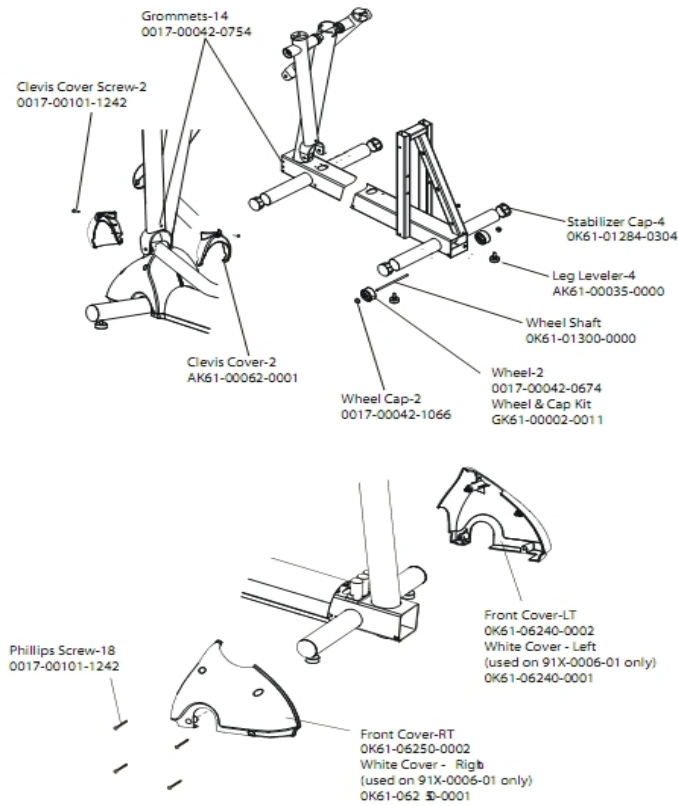
Ref #	Part Number	Qty	Description
-	AK61-00175-0001	1	Link Cover with Decal: Right
-	AK61-00175-0002	1	Link Cover with Decal: Left
-	0017-00101-1646	2	Hardware: Bolt 4.25"
-	OK61-01367-0000	2	Decal
-	OK61-06330-0003	1	White Link Cover
-	0017-00101-1645	1	Hardware: Bolt
-	OK61-04114-0000	1	Roller Retainer Plate

### Cables



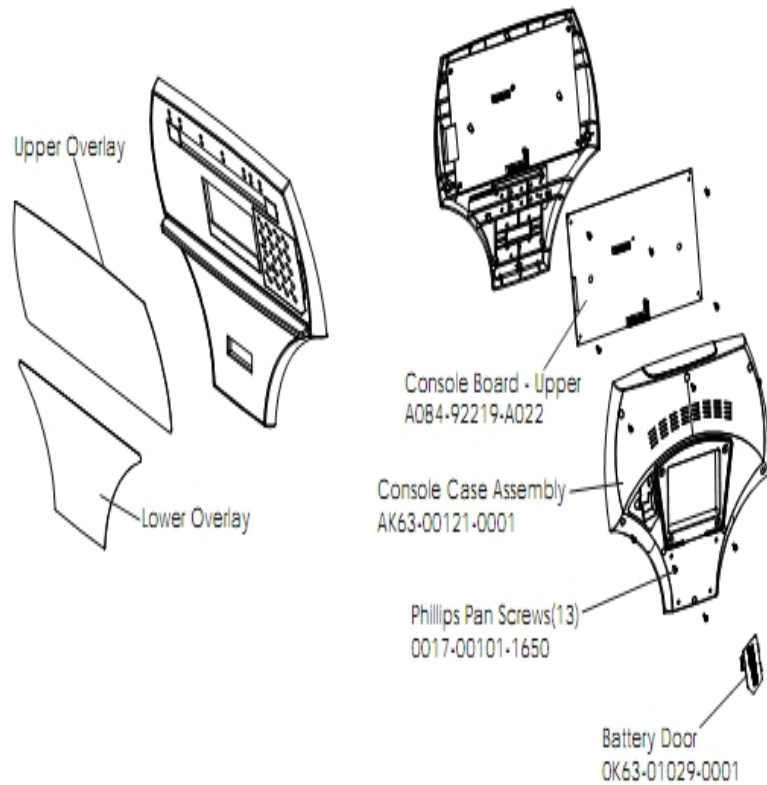
Ref #	Part Number	Qty	Description
-	118E-00001-0140	1	Reed Switch SPDT
-	AK61-00135-0000	1	Power Control Cable Assembly
-	AK61-00052-0002	1	Lifepulse Sensor Cable
-	AK61-00136-0000	1	Main Cable
-	AK36-00021-0003	1	Cable Assembly

**Clevis and Front Frame Covers**



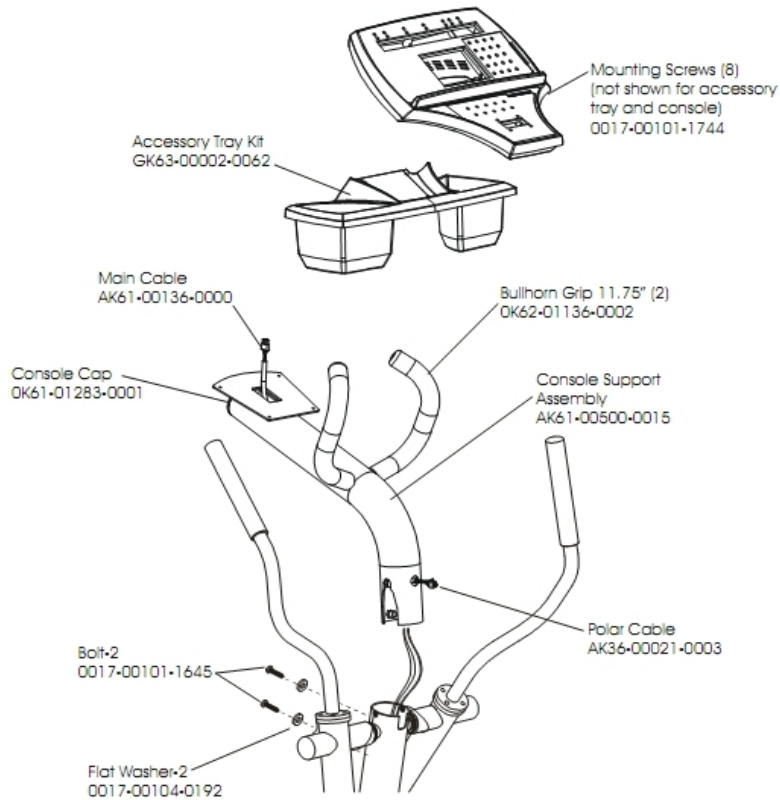
Ref #	Part Number	Qty	Description
-	0017-00101-1242	20	Hardware: Phillips Pan Screw 0.75"
-	0017-00042-1066	2	Push-on cap
-	AK61-00062-0001	2	Clevis Cover
-	OK61-06240-0002	1	Front Cover Left
-	OK61-01300-0000	1	Wheel Shaft
-	0017-00042-0674	2	Wheel
-	AK61-00035-0000	4	Leg Leveler
-	GK61-00002-0011	2	Wheel and Cap Kit
-	OK61-06250-0002	1	Front Cover-RT
-	OK61-01284-0304	4	Stabilizer Cap
-	0017-00042-0754	14	Hardware: Grommet

## Console Assembly



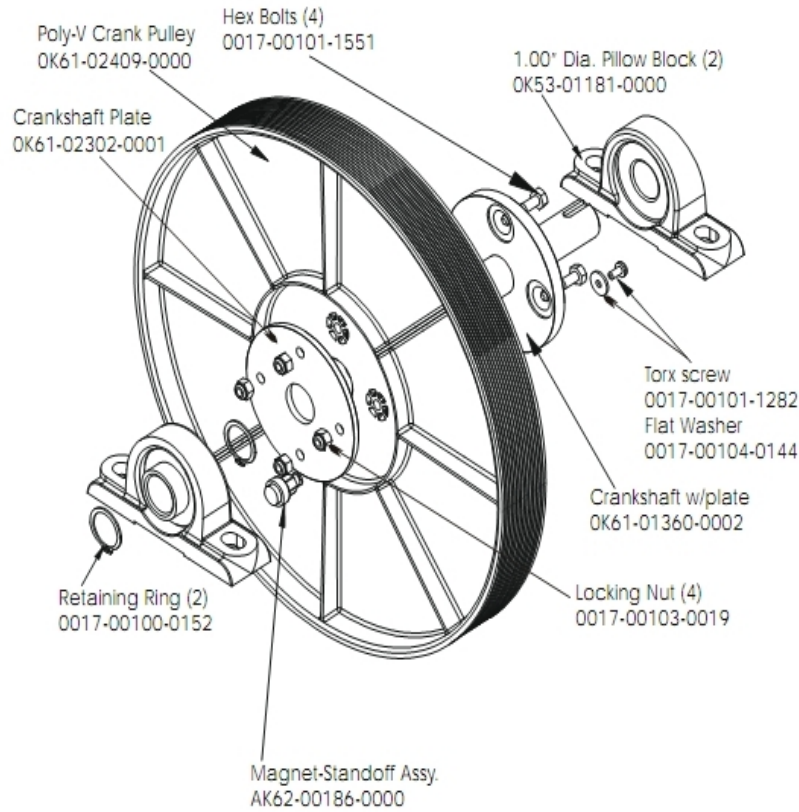
Ref #	Part Number	Qty	Description
-	AK61-00203-0002	1	Console: English/Metric
-	A084-92219-A022	1	Console Board - Upper
-	0017-00101-1650	13	Hardware: Phillips Pan Screw 0.375"
-	AK61-00183-0001	1	Bezel Switch with Overlay: English/Metric
-	AK63-00121-0001	1	Console Case Assembly
-	OK63-01029-0001	1	Battery Door

# Console Support Assembly



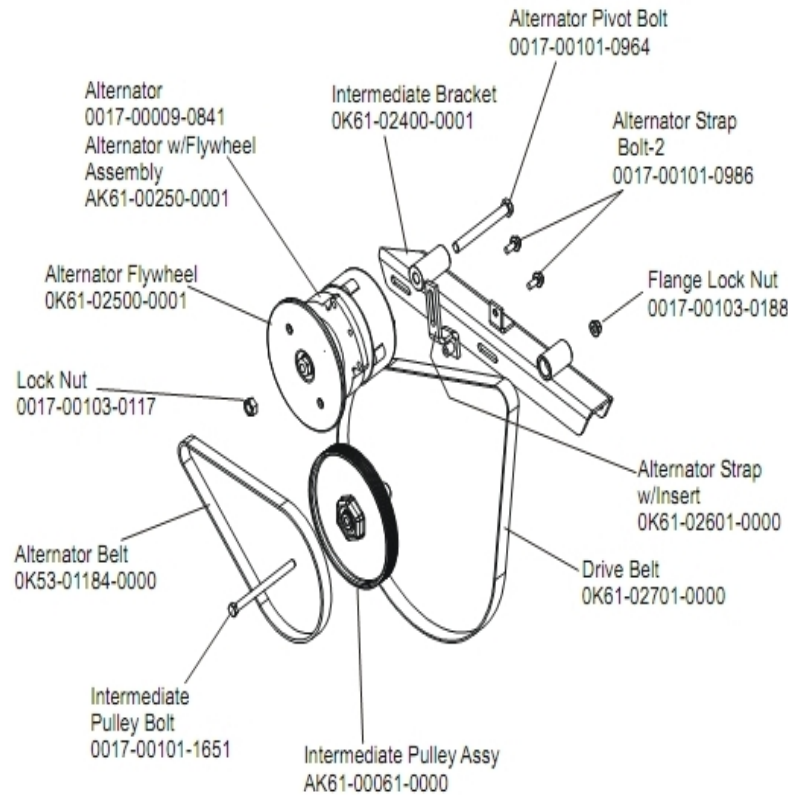
Ref #	Part Number	Qty	Description
-	0017-00104-0192	2	Hardware: Flat Washer 0.813" OD
-	AK36-00021-0003	1	Cable Assembly
-	AK61-00500-0015	1	Console Support Assembly
-	AK61-00136-0000	1	Main Cable
-	OK61-01283-0001	1	Cap
-	0017-00101-1645	2	Hardware: Bolt
-	GK63-00002-0062	1	Accessory Tray Kit
-	OK62-01136-0002	2	Bullhorn Grip 11.75"
-	0017-00101-1744	8	Hardware: Phillips Pan Screw

## Crankshaft Assembly



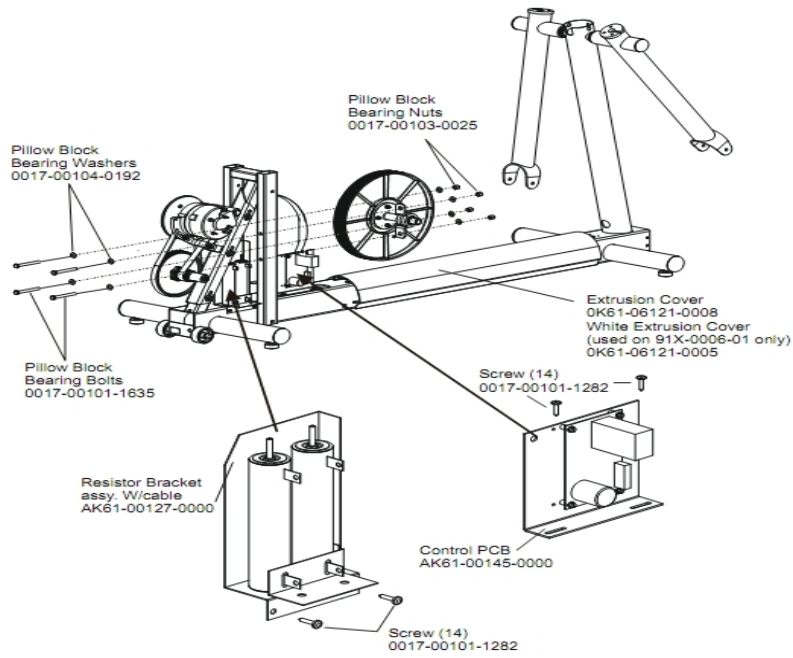
Ref #	Part Number	Qty	Description
-	0017-00101-1551	4	Hardware: Hex Bolt 1.25"
-	AK61-00157-0002	1	Crankshaft Assembly
-	OK61-02302-0001	1	Crankshaft Plate
-	0017-00101-1282	1	Hardware: TORX Screw 0.375"
-	OK53-01181-0000	2	Hardware: Pillow Block Bearing
-	0017-00100-0152	2	Hardware: Retaining Ring 1"
-	OK61-02409-0000	1	Poly-V Crank Pulley
-	OK61-01360-0002	1	Crankshaft w/plate
-	0017-00104-0144	1	Hardware: Washer 0.625" OD
-	AK62-00186-0000	1	Magnet-Standoff Assembly
-	0017-00103-0019	4	Hardware: Locking Nut 1/4" ID

## Drive Belts and Alternator



Ref #	Part Number	Qty	Description
-	0017-00101-0986	2	Hardware: Bolt 0.75"
-	0017-00103-0117	1	Hardware: Locking Nut 1/2" ID
-	OK53-01447-0000	1	Belt: Poly-V; 32"
-	OK61-01027-0000	1	Flywheel: 6.75" D
-	GK61-00002-0056	1	KIT: CROSS TRAINER BELT AND PULLEY
-	AK61-00250-0001	1	Alternator w/Flywheel
-	AK61-00061-0000	1	Intermediate Pulley Assembly
-	0017-00103-0188	1	Hardware: Flange Lock Nut 3/8" ID
-	0017-00101-1651	1	Hardware: Intermediate Pulley Bolt 5.5"
-	0017-00009-0841	1	Alternator
-	0017-00101-0964	1	Hardware: Alternator Pivot Bolt 4.5"
-	OK61-02400-0001	1	Intermediate Bracket
-	OK61-02601-0000	1	Alternator Strap with Insert

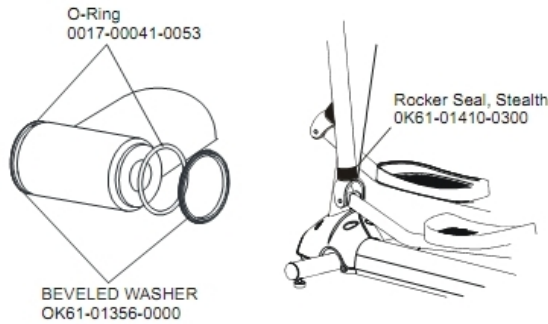
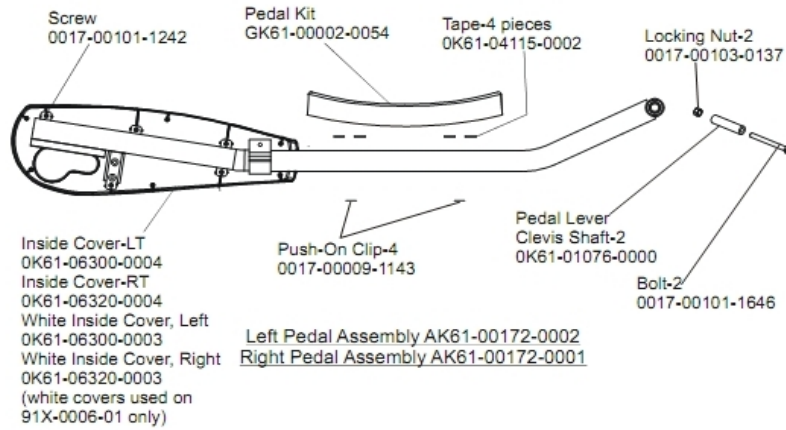
## Frame Assembly



11

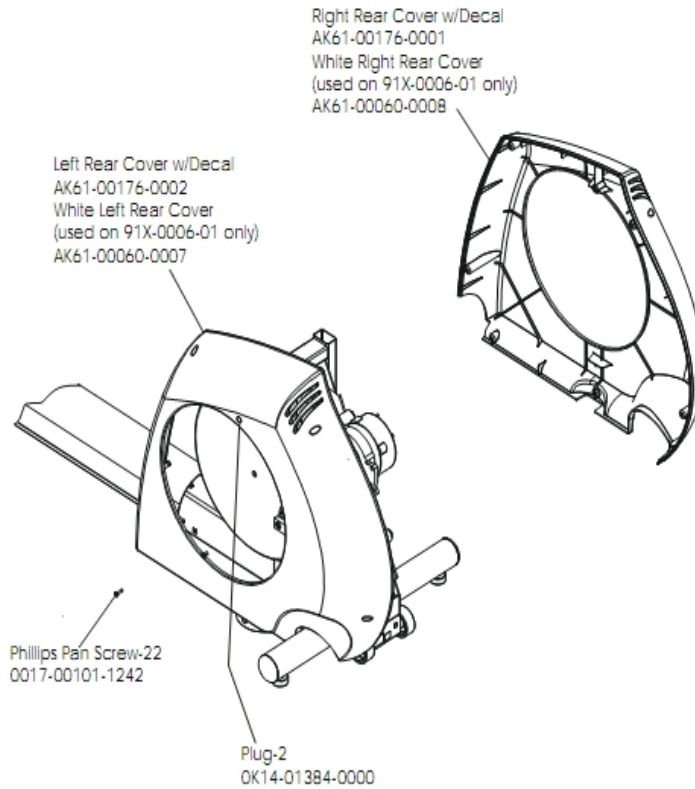
Ref #	Part Number	Qty	Description
-	0017-00104-0192	8	Hardware: Flat Washer 0.813" OD
-	0K61-06121-0005	1	Extrusion Cover
-	AK61-00145-0001	1	PCB Assembly
-	0017-00103-0025	4	Hardware: Locking Nut 3/8" ID
-	AK61-00127-0000	1	Resistor Bracket Assembly
-	0K61-06121-0008	1	Extrusion Cover
-	0017-00101-1635	4	Hardware: Hex Bolt 1"
-	0017-00101-1282	28	Hardware: TORX Screw 0.375"

# Pedal Lever Assembly



Ref #	Part Number	Qty	Description
-	0017-00101-1646	4	Hardware: Bolt 4.25"
-	OK61-06320-0004	2	Inside Cover Right
-	OK61-01410-0300	2	Rocker Seal
-	OK61-04115-0002	8	Adhesive Tape
-	0017-00041-0053	2	Viton O-ring
-	OK61-01076-0000	4	Pedal Lever Clevis Shaft
-	OK61-06300-0004	2	Inside Cover Left
-	AK61-00172-0002	1	Pedal Assembly: Left
-	GK61-00002-0054	2	Pedal Kit
-	0017-00101-1242	2	Hardware: Phillips Pan Screw 0.75"
-	0017-00009-1143	8	Clip
-	0017-00103-0137	4	Hardware: Locking Nut 3/8" ID
-	OK61-01356-0000	2	Hardware: Beveled Washer
-	AK61-00172-0001	1	Pedal Assembly: Right

## Rear Drive Shrouds with Decals



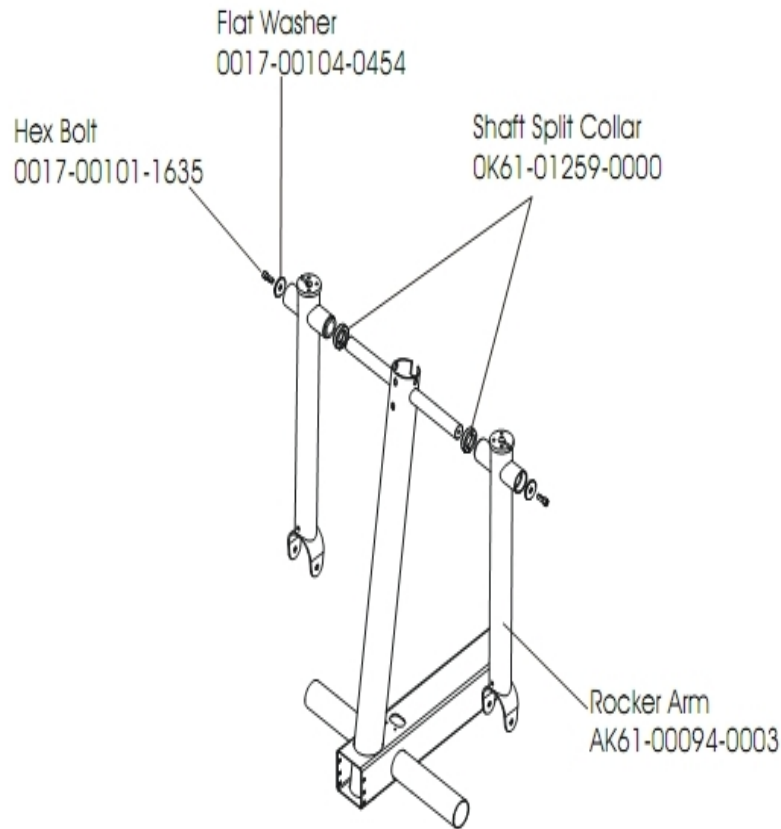
Ref #	Part Number	Qty	Description
-	AK61-00176-0001	1	Link Cover with Decal: Right
-	AK61-00176-0002	1	Link Cover with Decal: Left
-	OK14-01384-0000	2	Plug
-	0017-00101-1242	22	Hardware: Phillips Pan Screw 0.75"

## References

---

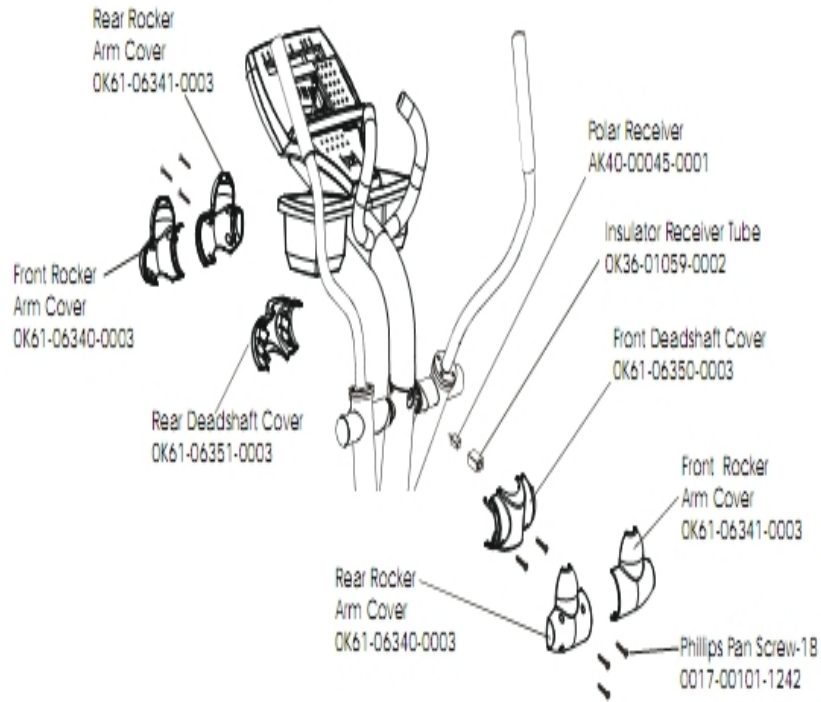
Ref #	Part Number	Qty	Description
-	0017-00008-0205	1	5 oz Bottle - Arctic Silver
-	0017-00003-0685	1	6V Battery
-	0017-00008-0198	1	Paint: Stealth Grey; .6OZ. Bottle B
-	0017-00008-0206	1	.33oz Pen - Arctic Silver
-	SK40-00045-0001	1	Polar HR Kit
-	0K61-01076-0000	1	Pedal Lever Clevis Shaft
-	AK61-00181-0000	1	Hardware Bag
-	0017-00101-0333	1	Hardware: Screw 0.3125"
-	0017-00008-0199	1	Paint: Stealth Grey; 4.5OZ. Can
-	0017-00008-0204	1	Paint Spray Can - Arctic Silver

## Rocker Arm Assembly



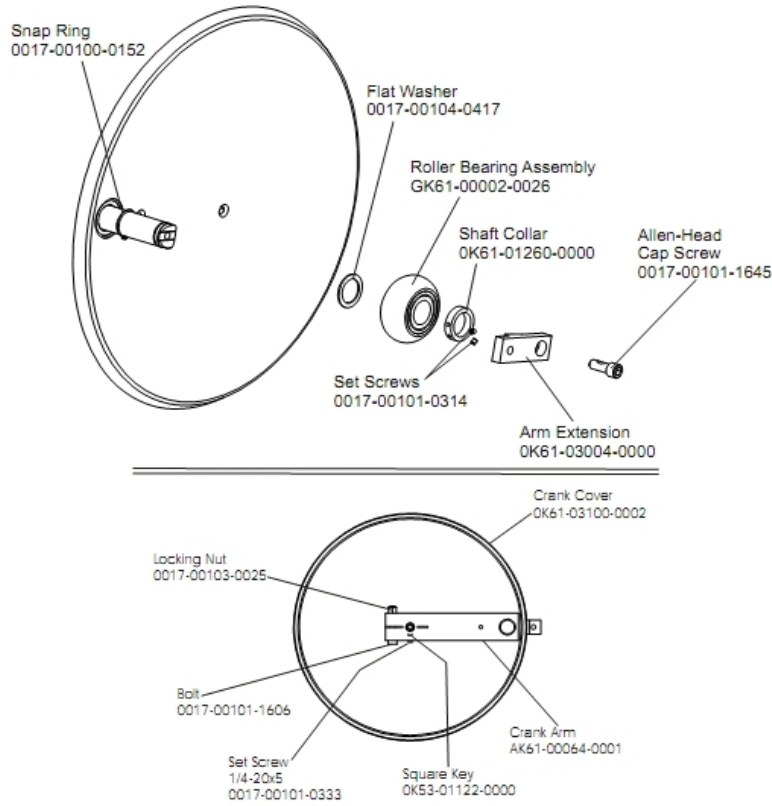
Ref #	Part Number	Qty	Description
-	AK61-00094-0003	2	Rocker Arm
-	0017-00101-1635	2	Hardware: Hex Bolt 1"
-	0017-00104-0454	2	Hardware: Flat Washer 1.62" OD
-	0K61-01259-0000	2	Shaft Split Collar

## Rocker Arm Covers



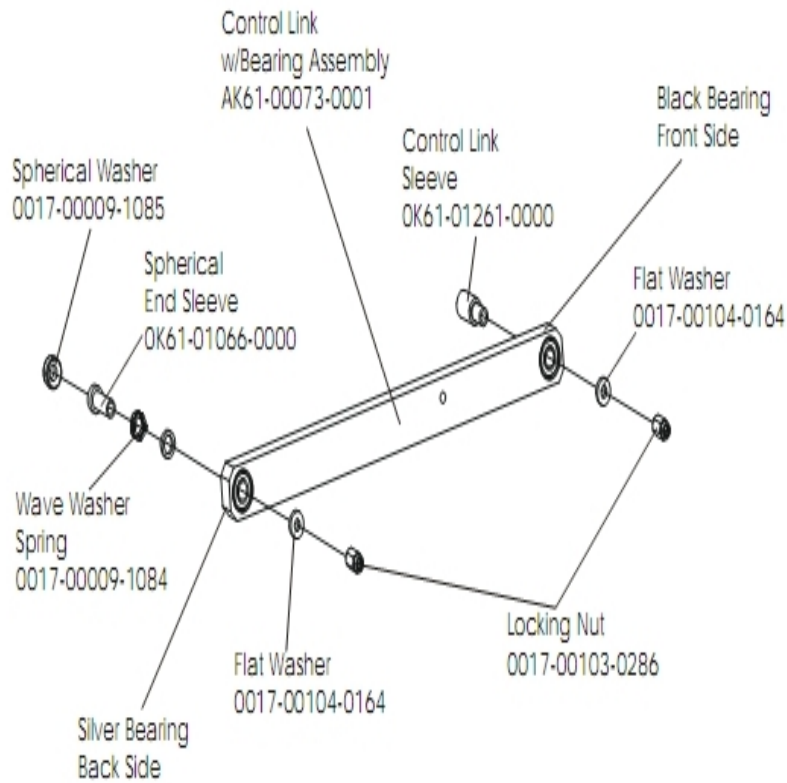
Ref #	Part Number	Qty	Description
-	OK61-06340-0003	2	Front Rocker Arm Cover
-	0017-00101-1242	18	Hardware: Phillips Pan Screw 0.75"
-	OK61-06341-0003	2	Front Rocker Arm Cover
-	SK40-00045-0001	1	Polar HR Kit
-	OK36-01059-0002	1	Insulator Receiver Tube
-	OK61-06351-0003	1	Rear Deadshaft Cover
-	OK61-06350-0003	1	Front Deadshaft Cover

# Roller Assembly



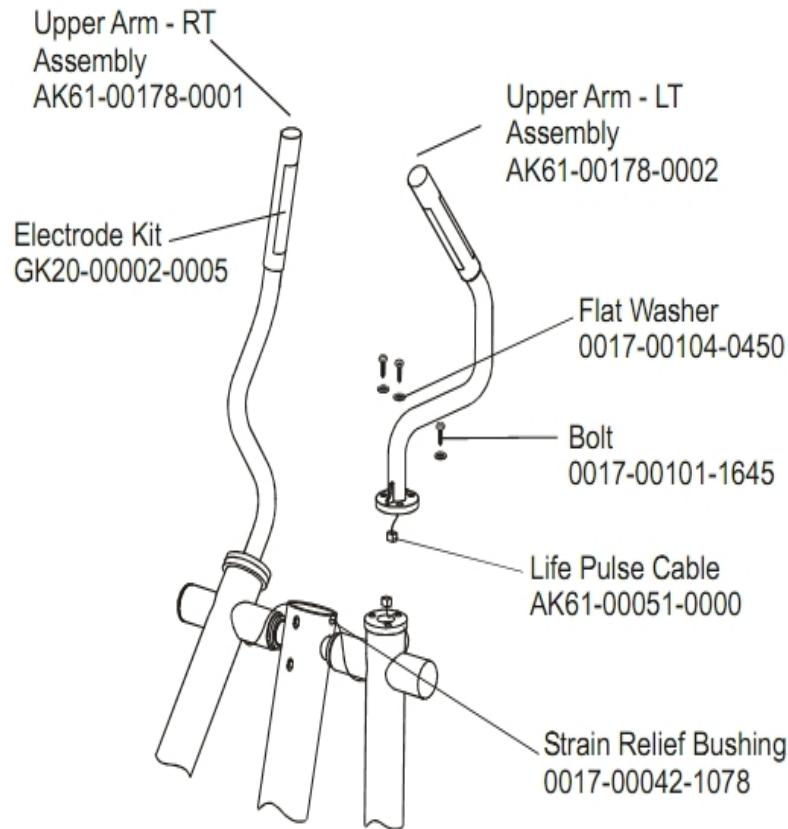
Ref #	Part Number	Qty	Description
-	0017-00100-0152	2	Hardware: Retaining Ring 1"
-	OK61-03004-0000	2	Arm Extension
-	OK61-03100-0002	2	Crank Cover
-	0017-00104-0417	2	Hardware: Flat Washer
-	OK61-01260-0000	2	Crank Arm Shaft Collar
-	GK61-00002-0026	2	Roller
-	AK61-00064-0001	2	Crank Arm
-	0017-00103-0025	2	Hardware: Locking Nut 3/8" ID
-	0017-00101-1645	2	Hardware: Bolt
-	0017-00101-0333	2	Hardware: Screw 0.3125"
-	0017-00101-1606	2	Hardware: Hex Bolt 2.5"
-	0017-00101-0314	2	Hardware: Screw 0.1875"
-	OK53-01122-0000	2	Square Key

## Tie Rod Kit



Ref #	Part Number	Qty	Description
-	OK61-01261-0000	1	Control Link Sleeve
-	OK61-01066-0000	1	Spherical End Sleeve
-	0017-00103-0286	2	Hardware: Locking Nut
-	GK61-00002-0020	2	Drive Linkage Assembly Kit
-	0017-00009-1085	1	Spherical Washer
-	0017-00104-0164	2	Hardware: Washer 0.75" OD
-	0017-00009-1084	1	Wave Spring

## Upper Arm/Heart Rate Assembly



Ref #	Part Number	Qty	Description
-	0017-00104-0450	3	Hardware: Flat Washer 0.67" OD
-	AK61-00051-0000	1	Bullhorn HR cables
-	0017-00101-1645	3	Hardware: Bolt
-	GK20-00002-0005	2	Heart Rate Electrode Kit
-	0017-00042-1078	1	Hardware: Bushing
-	AK61-00178-0001	1	Upper Arm Assembly: Right
-	AK61-00178-0002	1	Upper Arm Assembly: Left

