

91Xi Classic Cross-Trainer w/Upgraded Console

91X-0300-02

Parts Manual

1/5/2019 7:19:46 AM



LifeFitness
WHAT WE LIVE FOR

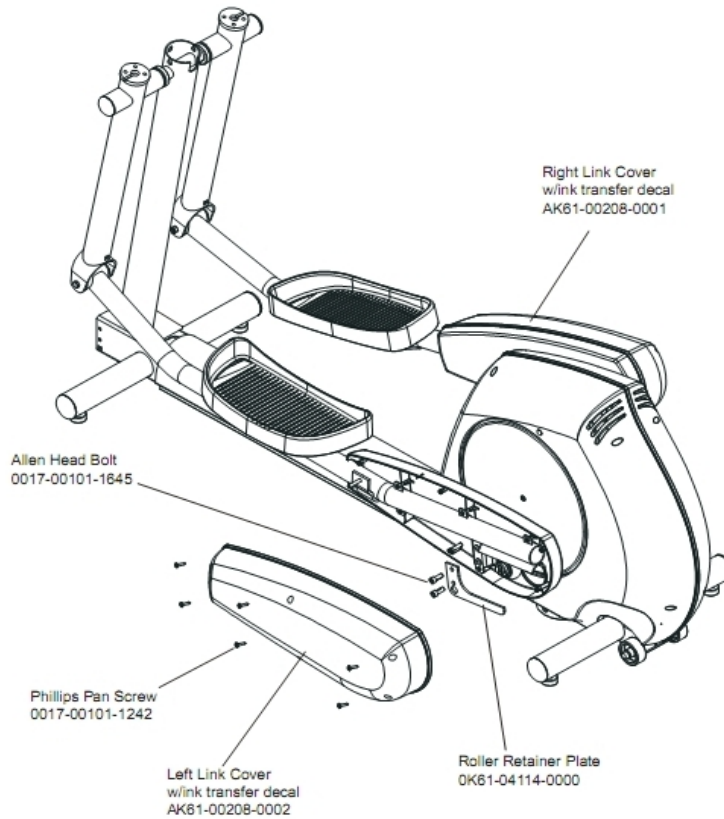


**91X-0300-02 - 91XI CLASSIC
CROSS-TRAINER W/UPGRADED
CONSOLE**

Table of Contents

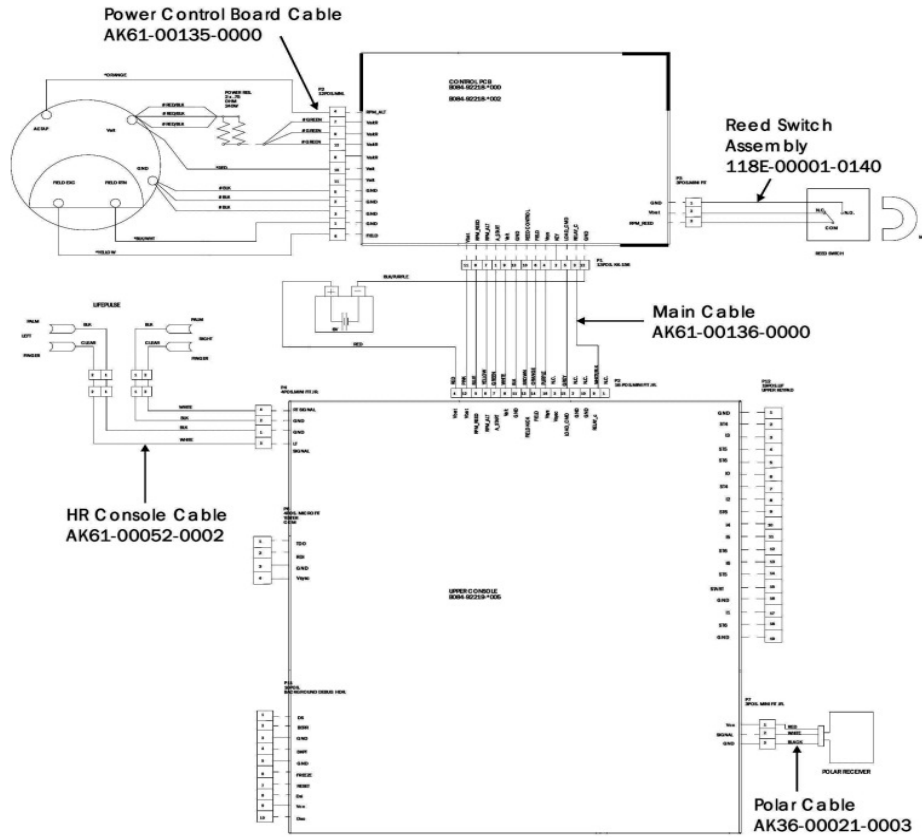
Anti Lift Bracket and Outer Pedal Covers.....	3
Cables.....	4
Clevis and Front Frame Covers.....	5
Console Assembly.....	6
Console Support Assembly.....	7
Crankshaft Assembly.....	8
Drive Belts and Alternator.....	9
Drive Linkage Assembly.....	10
Frame Assembly.....	11
Miscellaneous.....	12
Pedal Lever Assembly.....	13
Rear Drive Shrouds with Decals.....	14
Rocker Arm Assembly.....	15
Rocker Arm Covers.....	16
Roller Assembly.....	17
Upper Arm/Heart Rate Assembly.....	18

Anti Lift Bracket and Outer Pedal Covers



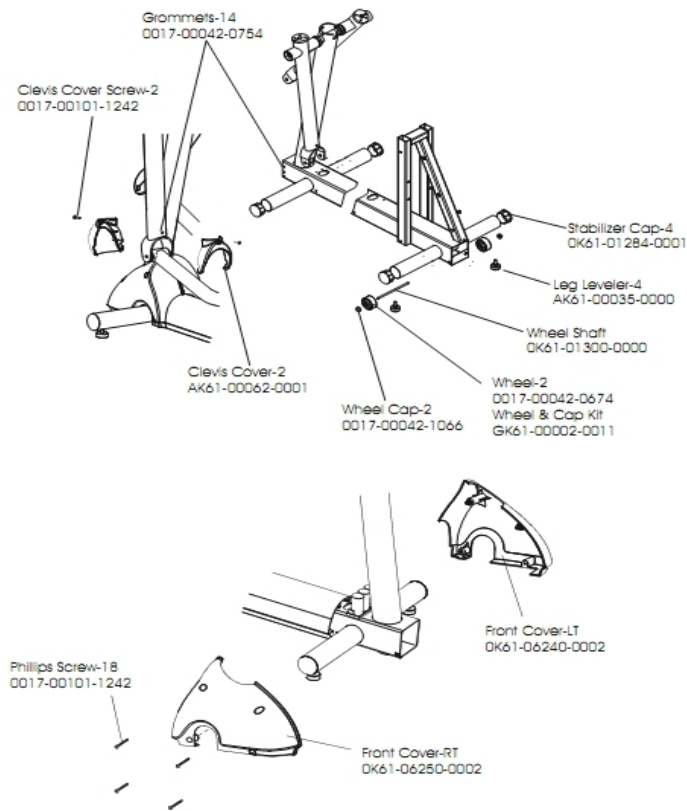
Ref #	Part Number	Qty	Description
-	0K61-04114-0000	1	Roller Retainer Plate
-	0017-00101-1242	1	Hardware: Phillips Pan Screw 0.75"
-	AK61-00208-0001	1	Link Cover with Decal: Right
-	0017-00101-1645	1	Hardware: Bolt
-	AK61-00208-0002	1	Link Cover with Decal: Left

Cables



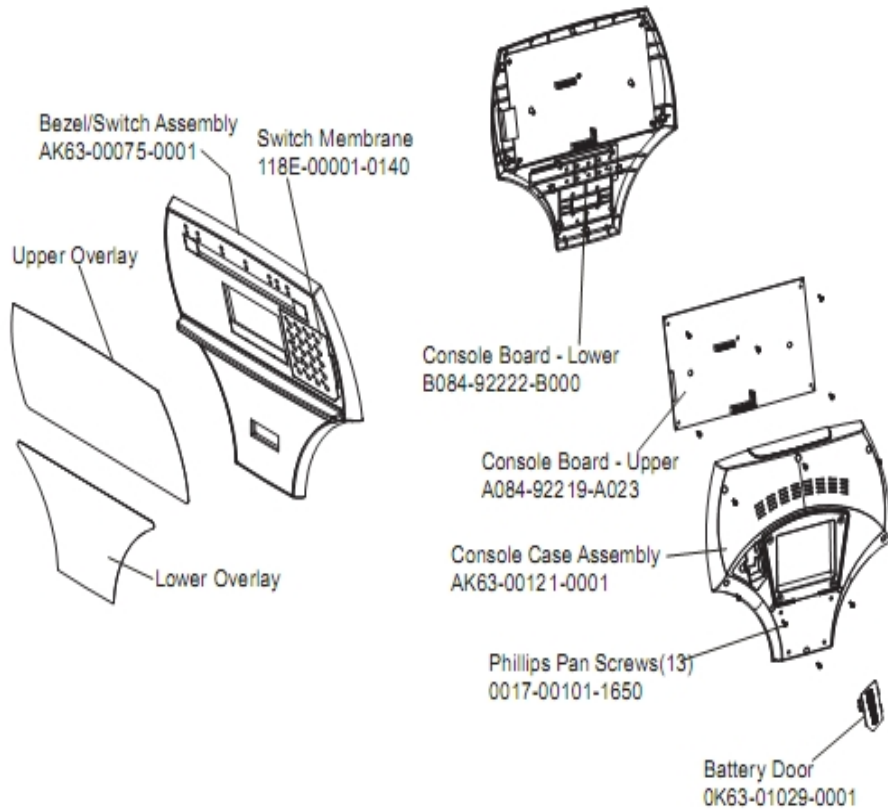
Ref #	Part Number	Qty	Description
-	118E-00001-0140	1	Reed Switch SPDT
-	AK61-00052-0002	1	Lifepulse Sensor Cable
-	AK61-00136-0000	1	Main Cable
-	AK61-00135-0000	1	Power Control Cable Assembly
-	AK36-00021-0003	1	Cable Assembly

Clevis and Front Frame Covers



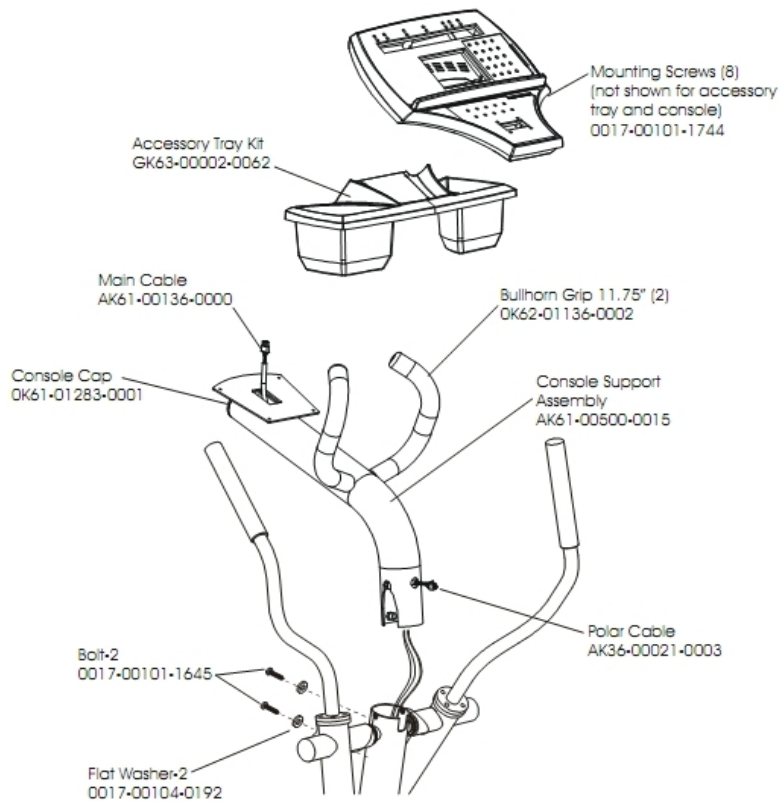
Ref #	Part Number	Qty	Description
-	OK61-01300-0000	1	Wheel Shaft
-	AK61-00062-0001	2	Clevis Cover
-	AK61-00035-0000	4	Leg Leveler
-	OK61-01284-0304	4	Stabilizer Cap
-	0017-00042-0754	14	Hardware: Grommet
-	GK61-00002-0011	2	Wheel and Cap Kit
-	0017-00042-1066	2	Push-on cap
-	OK61-06240-0002	1	Front Cover Left
-	0017-00101-1242	20	Hardware: Phillips Pan Screw 0.75"
-	0017-00042-0674	2	Wheel
-	OK61-06250-0002	1	Front Cover-RT

Console Assembly



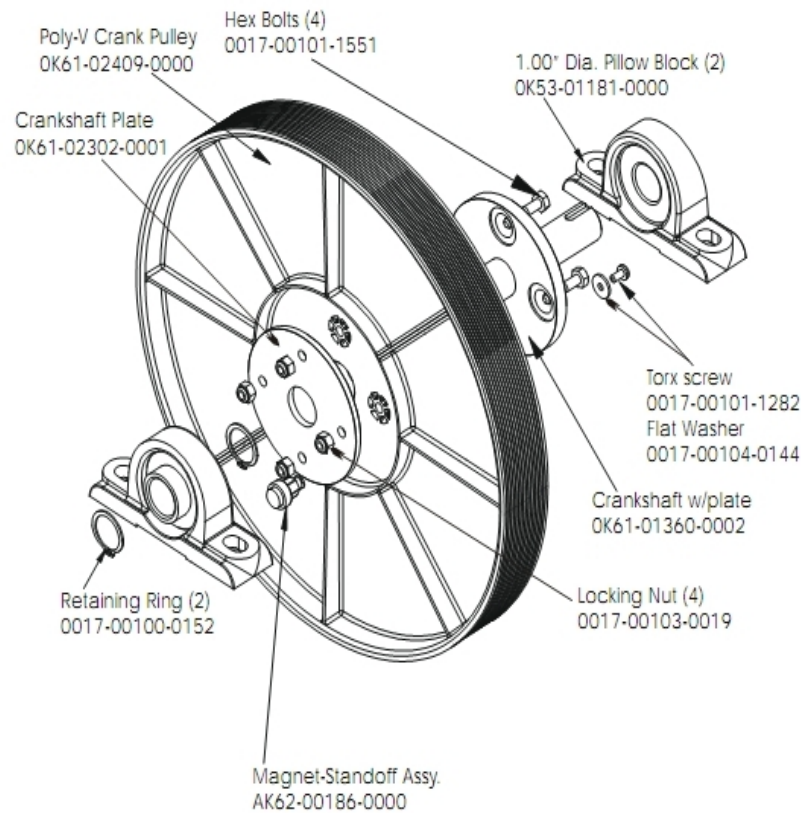
Ref #	Part Number	Qty	Description
-	AK61-00206-0007	1	Console: French/Metric
-	B084-92222-B000	1	Console Board - Lower
-	AK63-00075-0001	1	Bezel/Switch Assembly
-	AK63-00121-0001	1	Console Case Assembly
-	118E-00001-0140	1	Reed Switch SPDT
-	0K63-01029-0001	1	Battery Door
-	0017-00101-1650	13	Hardware: Phillips Pan Screw 0.375"
-	AK61-00207-0007	1	Bezel Switch with Overlay: French/Metric
-	A084-92219-A023	1	Console Board - Upper

Console Support Assembly



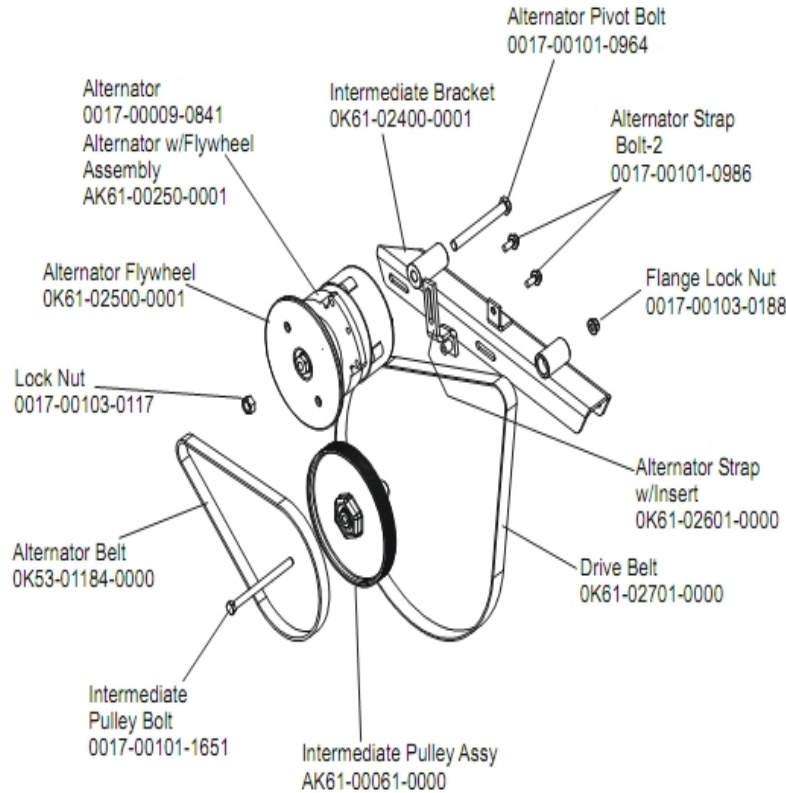
Ref #	Part Number	Qty	Description
-	0017-00101-1645	2	Hardware: Bolt
-	0K61-01283-0001	1	Cap
-	GK63-00002-0062	1	Accessory Tray Kit
-	0017-00104-0192	2	Hardware: Flat Washer 0.813" OD
-	AK36-00021-0003	1	Cable Assembly
-	0017-00101-1744	8	Hardware: Phillips Pan Screw
-	0K62-01136-0002	2	Bullhorn Grip 11.75"
-	AK61-00500-0015	1	Console Support Assembly
-	AK61-00136-0000	1	Main Cable

Crankshaft Assembly



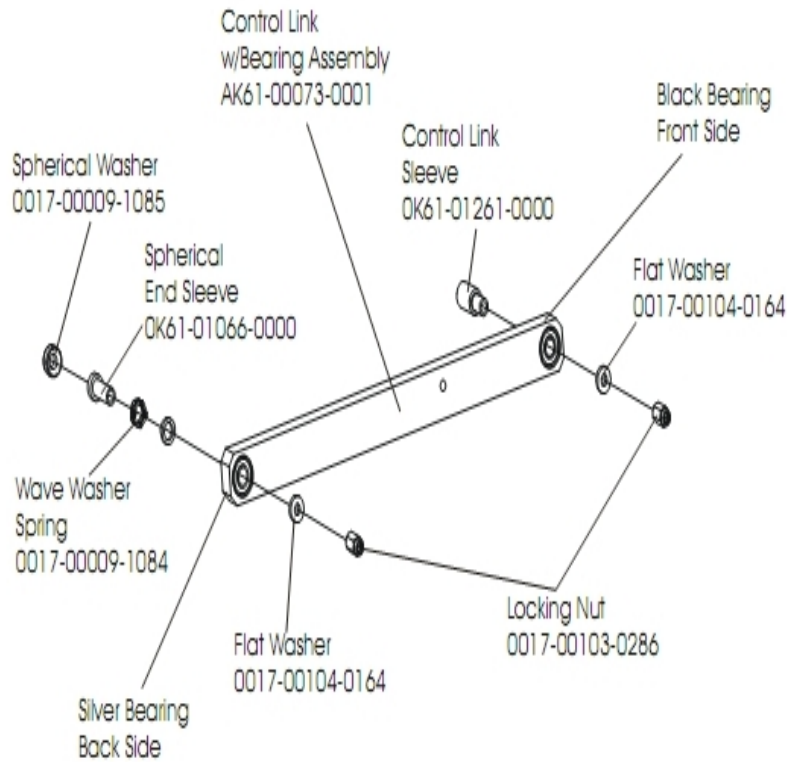
Ref #	Part Number	Qty	Description
-	OK53-01181-0000	2	Hardware: Pillow Block Bearing
-	0017-00101-1551	4	Hardware: Hex Bolt 1.25"
-	0017-00100-0152	2	Hardware: Retaining Ring 1"
-	OK61-02409-0000	1	Poly-V Crank Pulley
-	0017-00104-0144	1	Hardware: Washer 0.625" OD
-	AK61-00157-0002	1	Crankshaft Assembly
-	OK61-01360-0002	1	Crankshaft w/plate
-	AK62-00186-0000	1	Magnet-Standoff Assembly
-	0017-00101-1282	1	Hardware: TORX Screw 0.375"
-	OK61-02302-0001	1	Crankshaft Plate
-	0017-00103-0019	4	Hardware: Locking Nut 1/4" ID

Drive Belts and Alternator



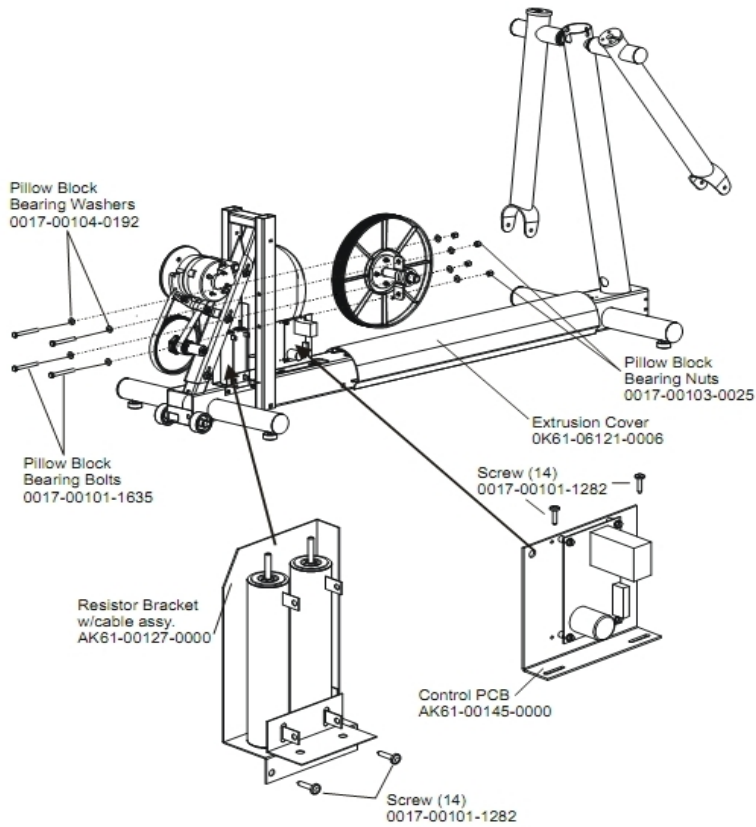
Ref #	Part Number	Qty	Description
-	OK53-01447-0000	1	Belt: Poly-V; 32"
-	OK61-01027-0000	1	Flywheel: 6.75" D
-	0017-00101-0964	1	Hardware: Alternator Pivot Bolt 4.5"
-	0017-00009-0841	1	Alternator
-	AK61-00061-0000	1	Intermediate Pulley Assembly
-	OK61-02400-0001	1	Intermediate Bracket
-	0017-00101-1651	1	Hardware: Intermediate Pulley Bolt 5.5"
-	0017-00103-0188	1	Hardware: Flange Lock Nut 3/8" ID
-	GK61-00002-0056	1	KIT: CROSS TRAINER BELT AND PULLEY
-	0017-00101-0986	2	Hardware: Bolt 0.75"
-	0017-00103-0117	1	Hardware: Locking Nut 1/2" ID
-	AK61-00250-0001	1	Alternator w/Flywheel
-	OK61-02601-0000	1	Alternator Strap with Insert

Drive Linkage Assembly



Ref #	Part Number	Qty	Description
-	0017-00009-1084	1	Wave Spring
-	0017-00104-0164	2	Hardware: Washer 0.75" OD
-	0017-00103-0286	2	Hardware: Locking Nut
-	0017-00009-1085	1	Spherical Washer
-	OK61-01066-0000	1	Spherical End Sleeve
-	GK61-00002-0020	2	Drive Linkage Assembly Kit
-	OK61-01261-0000	1	Control Link Sleeve

Frame Assembly

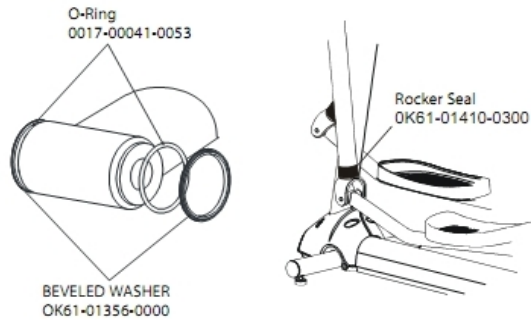
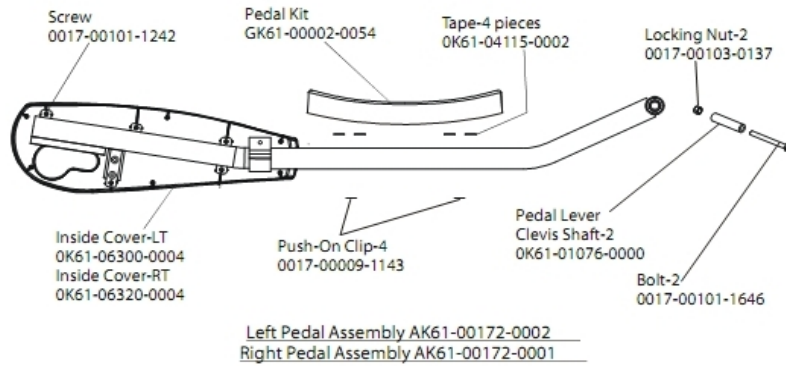


Ref #	Part Number	Qty	Description
-	0017-00104-0192	8	Hardware: Flat Washer 0.813" OD
-	0K61-06121-0008	1	Extrusion Cover
-	0017-00101-1282	28	Hardware: TORX Screw 0.375"
-	0017-00103-0025	4	Hardware: Locking Nut 3/8" ID
-	AK61-00145-0001	1	PCB Assembly
-	0017-00101-1635	4	Hardware: Hex Bolt 1"
-	AK61-00127-0000	1	Resistor Bracket Assembly

Miscellaneous

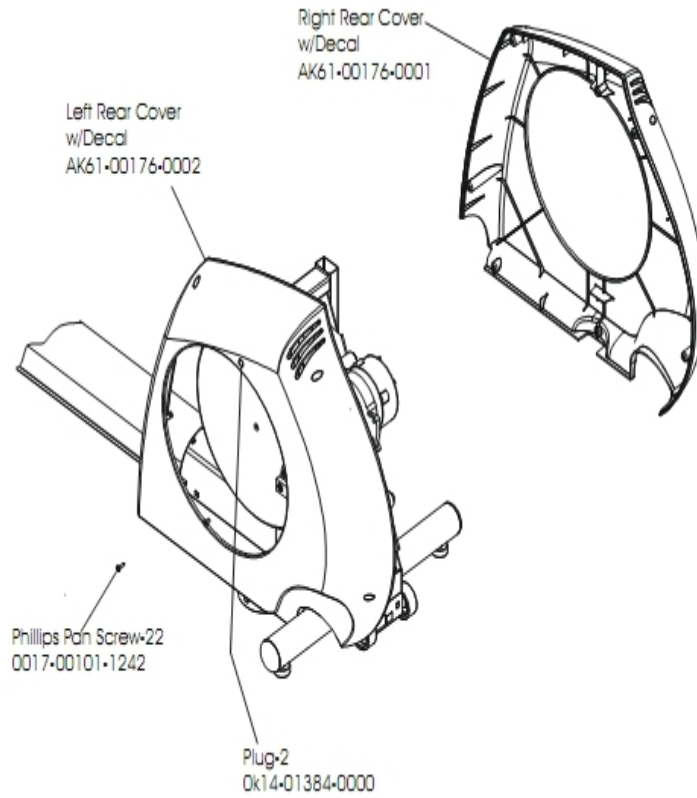
Ref #	Part Number	Qty	Description
-	0017-00021-2846	1	F-Type Panel Connector
-	0017-00008-0205	1	5 oz Bottle - Arctic Silver
-	0017-00008-0204	1	Paint Spray Can - Arctic Silver
-	AK32-00078-0001	1	Power Extension Cable: 120"
-	0017-00008-0199	1	Paint: Stealth Grey; 4.5OZ. Can
-	AK32-00020-0002	1	Coax Cable: 120"
-	AK61-00190-0000	1	Access Panel Assembly
-	0017-00008-0198	1	Paint: Stealth Grey; .6OZ. Bottle B
-	0017-00008-0206	1	.33oz Pen - Arctic Silver
-	0K32-01063-0000	1	Decal
-	0K61-01373-0003	1	BRKT: ACCESS
-	AK61-00181-0000	1	Hardware Bag

Pedal Lever Assembly



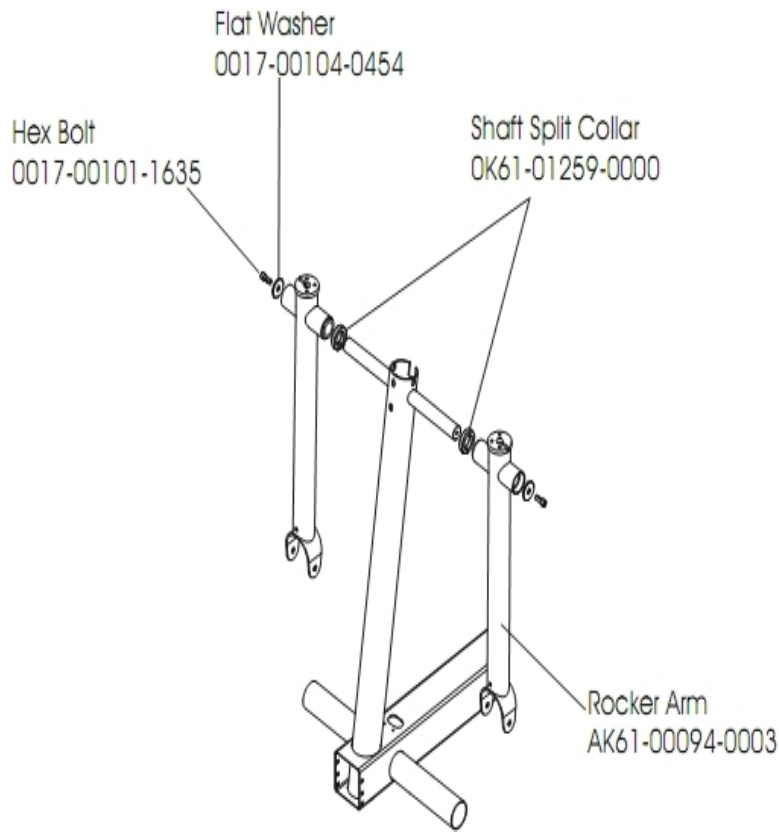
Ref #	Part Number	Qty	Description
-	0017-00009-1143	8	Clip
-	0017-00101-1242	2	Hardware: Phillips Pan Screw 0.75"
-	AK61-00172-0001	1	Pedal Assembly: Right
-	OK61-06320-0004	2	Inside Cover Right
-	0017-00101-1646	4	Hardware: Bolt 4.25"
-	GK61-00002-0054	2	Pedal Kit
-	AK61-00172-0002	1	Pedal Assembly: Left
-	OK61-01076-0000	4	Pedal Lever Clevis Shaft
-	0017-00041-0053	2	Viton O-ring
-	OK61-04115-0002	8	Adhesive Tape
-	OK61-06300-0004	2	Inside Cover Left
-	OK61-01410-0300	2	Rocker Seal
-	OK61-01356-0000	2	Hardware: Beveled Washer
-	0017-00103-0137	4	Hardware: Locking Nut 3/8" ID

Rear Drive Shrouds with Decals



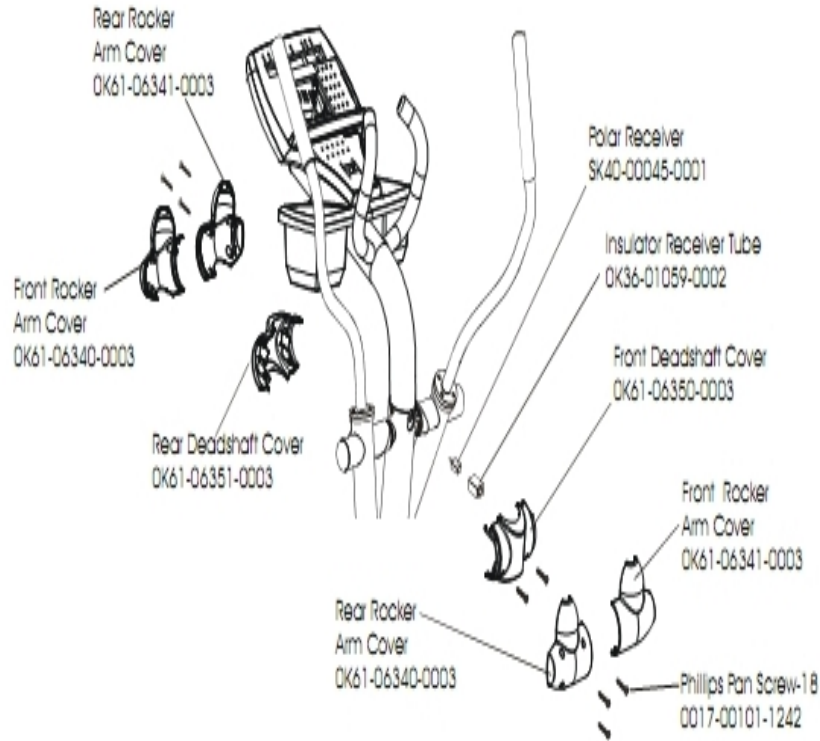
Ref #	Part Number	Qty	Description
-	0017-00101-1242	22	Hardware: Phillips Pan Screw 0.75"
-	AK61-00176-0001	1	Link Cover with Decal: Right
-	OK14-01384-0000	2	Plug
-	AK61-00176-0002	1	Link Cover with Decal: Left

Rocker Arm Assembly



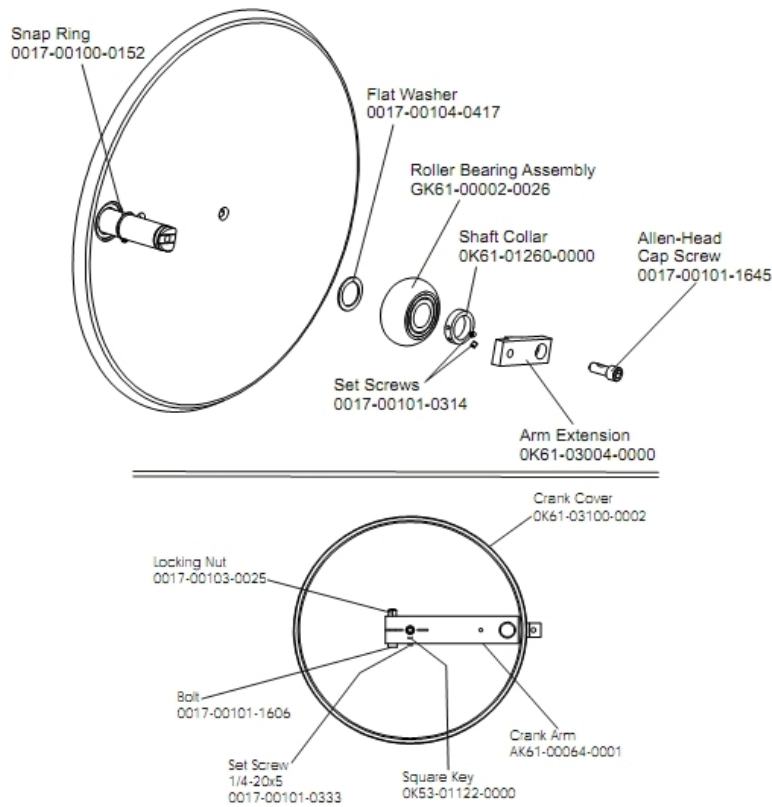
Ref #	Part Number	Qty	Description
-	0K61-01259-0000	2	Shaft Split Collar
-	0017-00101-1635	2	Hardware: Hex Bolt 1"
-	AK61-00094-0003	2	Rocker Arm
-	0017-00104-0454	2	Hardware: Flat Washer 1.62" OD

Rocker Arm Covers



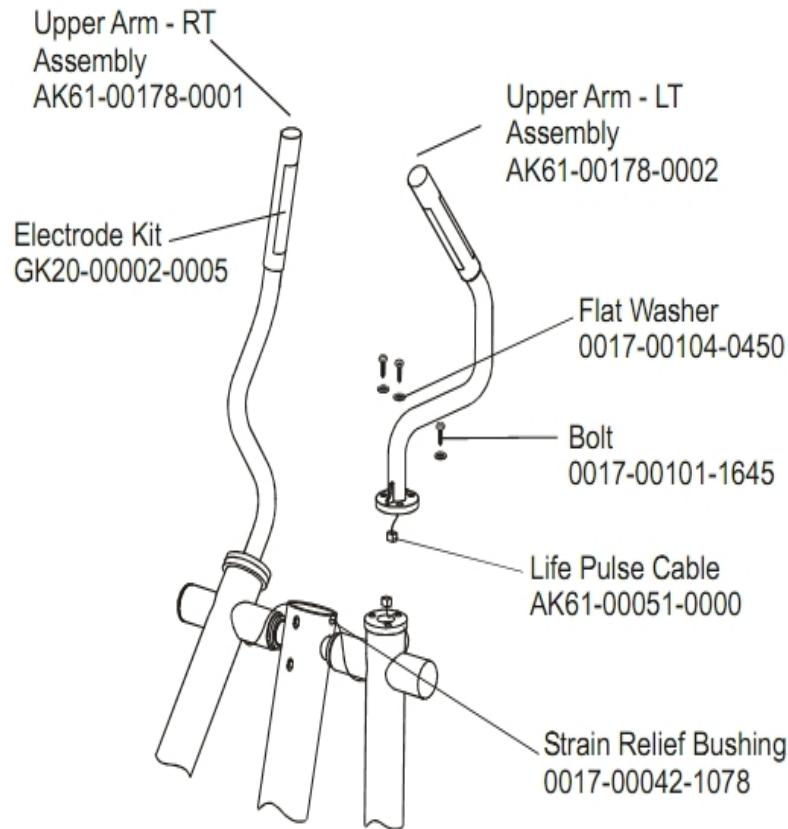
Ref #	Part Number	Qty	Description
-	0017-00101-1242	18	Hardware: Phillips Pan Screw 0.75"
-	OK36-01059-0002	1	Insulator Receiver Tube
-	OK61-06350-0003	1	Front Deadshaft Cover
-	SK40-00045-0001	1	Polar HR Kit
-	OK61-06341-0003	2	Front Rocker Arm Cover
-	OK61-06351-0003	1	Rear Deadshaft Cover
-	OK61-06340-0003	2	Front Rocker Arm Cover

Roller Assembly



Ref #	Part Number	Qty	Description
-	OK53-01122-0000	2	Square Key
-	0017-00101-1606	2	Hardware: Hex Bolt 2.5"
-	0017-00101-0314	2	Hardware: Screw 0.1875"
-	0017-00100-0152	2	Hardware: Retaining Ring 1"
-	OK61-03004-0000	2	Arm Extension
-	OK61-03100-0002	2	Crank Cover
-	0017-00104-0417	2	Hardware: Flat Washer
-	GK61-00002-0026	2	Roller
-	AK61-00064-0001	2	Crank Arm
-	0017-00103-0025	2	Hardware: Locking Nut 3/8" ID
-	0017-00101-1645	2	Hardware: Bolt
-	0017-00101-0333	2	Hardware: Screw 0.3125"
-	OK61-01260-0000	2	Crank Arm Shaft Collar

Upper Arm/Heart Rate Assembly



Ref #	Part Number	Qty	Description
-	AK61-00178-0001	1	Upper Arm Assembly: Right
-	AK61-00178-0002	1	Upper Arm Assembly: Left
-	0017-00042-1078	1	Hardware: Bushing
-	0017-00101-1645	3	Hardware: Bolt
-	GK20-00002-0005	2	Heart Rate Electrode Kit
-	0017-00104-0450	3	Hardware: Flat Washer 0.67" OD
-	AK61-00051-0000	1	Bullhorn HR cables

