

CPO Silver 91 Cross-Trainer

91XS-0109-02

Parts Manual

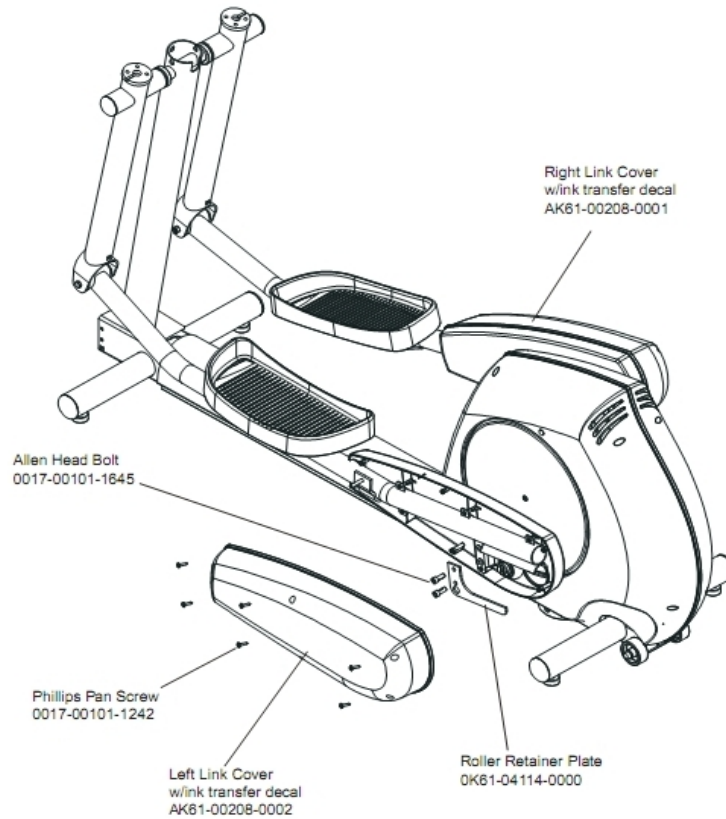
1/5/2019 7:22:35 AM



Table of Contents

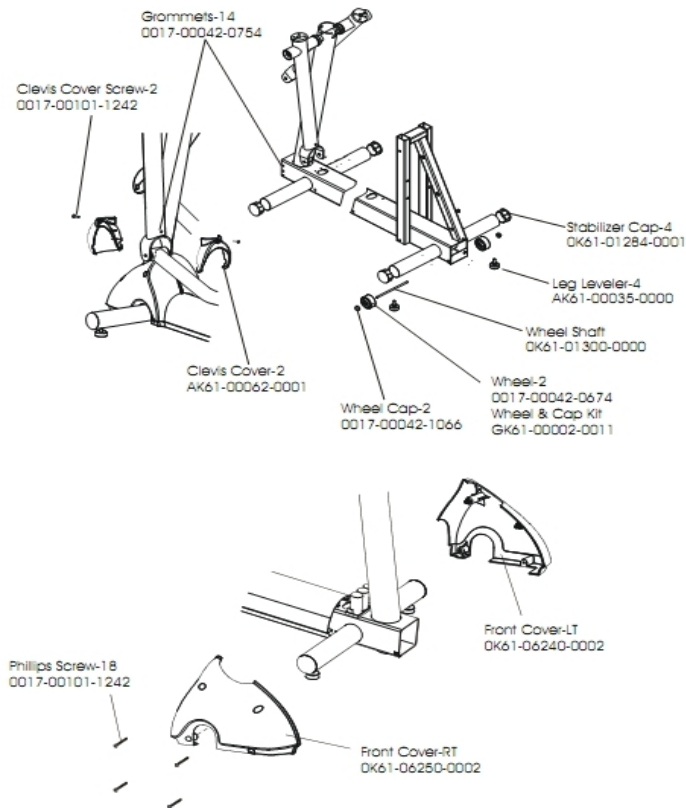
Anti Lift Bracket And Outer Pedal Covers.....	3
Cables.....	4
Clevis And Front Frame Covers.....	5
Console Assembly.....	6
Console Support Assembly.....	7
Crankshaft Assembly.....	8
Drive Belts And Alternator.....	9
Drive Linkage Assembly.....	10
Frame Assembly.....	11
Miscellaneous.....	12
Pedal Lever Assembly.....	13
Rear Drive Shrouds With Decals.....	14
Rocker Arm Assembly.....	15
Rocker Arm Covers.....	16
Roller Assembly.....	17
Upper Arm/Heart Rate Assembly.....	18

Anti Lift Bracket And Outer Pedal Covers



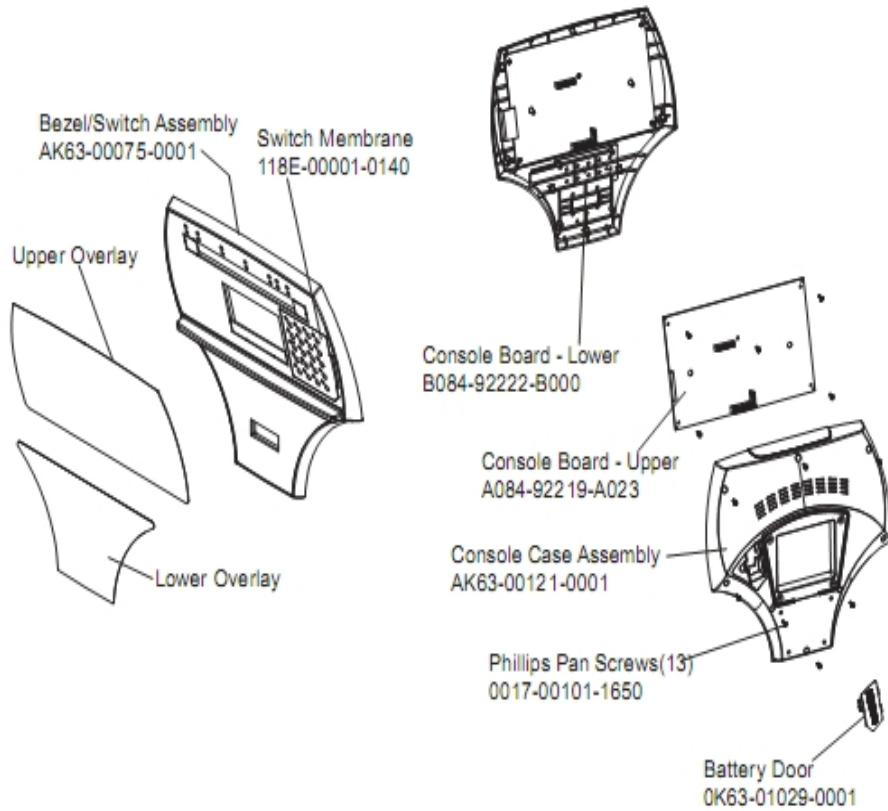
Ref #	Part Number	Qty	Description
-	OK61-04114-0000	1	Roller Retainer Plate
-	0017-00101-1242	1	Hardware: Phillips Pan Screw 0.75"
-	AK61-00208-0002	1	Link Cover with Decal: Left
-	AK61-00208-0001	1	Link Cover with Decal: Right
-	0017-00101-1645	1	Hardware: Bolt

Clevis And Front Frame Covers



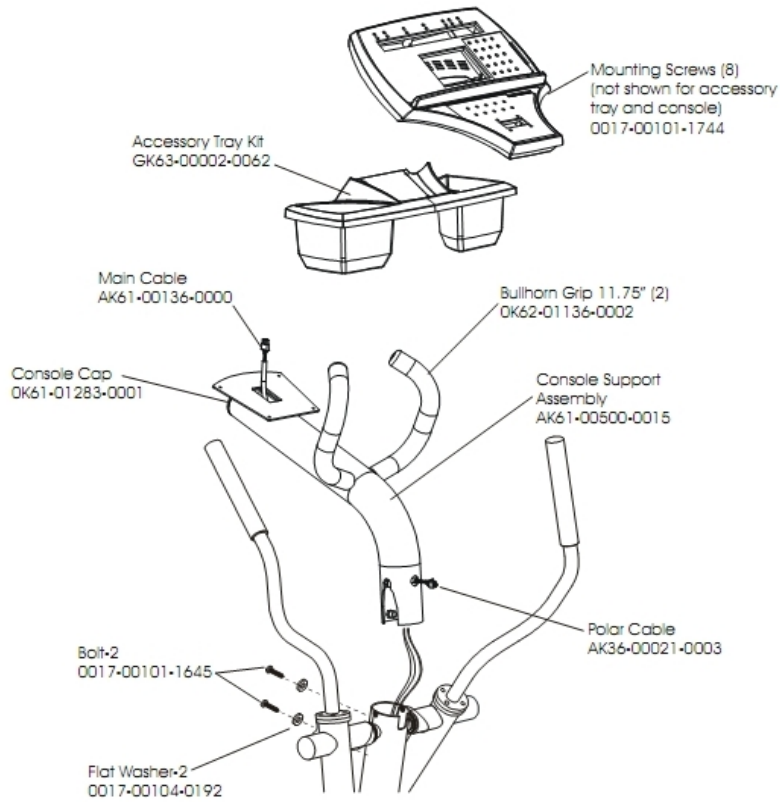
Ref #	Part Number	Qty	Description
-	OK61-01300-0000	1	Wheel Shaft
-	0017-00101-1242	20	Hardware: Phillips Pan Screw 0.75"
-	0017-00042-1066	2	Push-on cap
-	0017-00042-0674	2	Wheel
-	AK61-00035-0000	4	Leg Leveler
-	AK61-00062-0001	2	Clevis Cover
-	GK61-00002-0011	1	Wheel and Cap Kit
-	OK61-06240-0002	1	Front Cover Left
-	0017-00042-0754	14	Hardware: Grommet
-	OK61-01284-0304	4	Stabilizer Cap
-	OK61-06250-0002	1	Front Cover-RT

Console Assembly



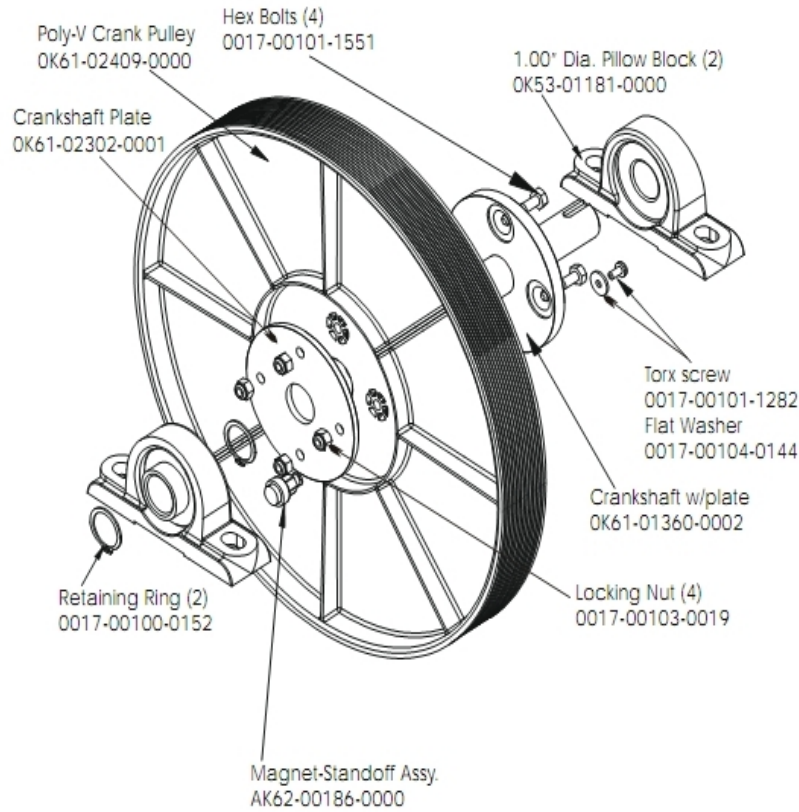
Ref #	Part Number	Qty	Description
-	0017-00101-1650	13	Hardware: Phillips Pan Screw 0.375"
-	B084-92222-B000	1	Console Board - Lower
-	AK63-00075-0001	1	Bezel/Switch Assembly
-	AK61-00207-0001	1	Bezel Switch with Overlay: English/Metric
-	0K63-01029-0001	1	Battery Door
-	118E-00001-0140	1	Reed Switch SPDT
-	A084-92219-A023	1	Console Board - Upper
-	AK61-00206-0001R	1	Console with Overlay Assembly: Mfg; English/LED; 9
-	AK63-00121-0001	1	Console Case Assembly

Console Support Assembly



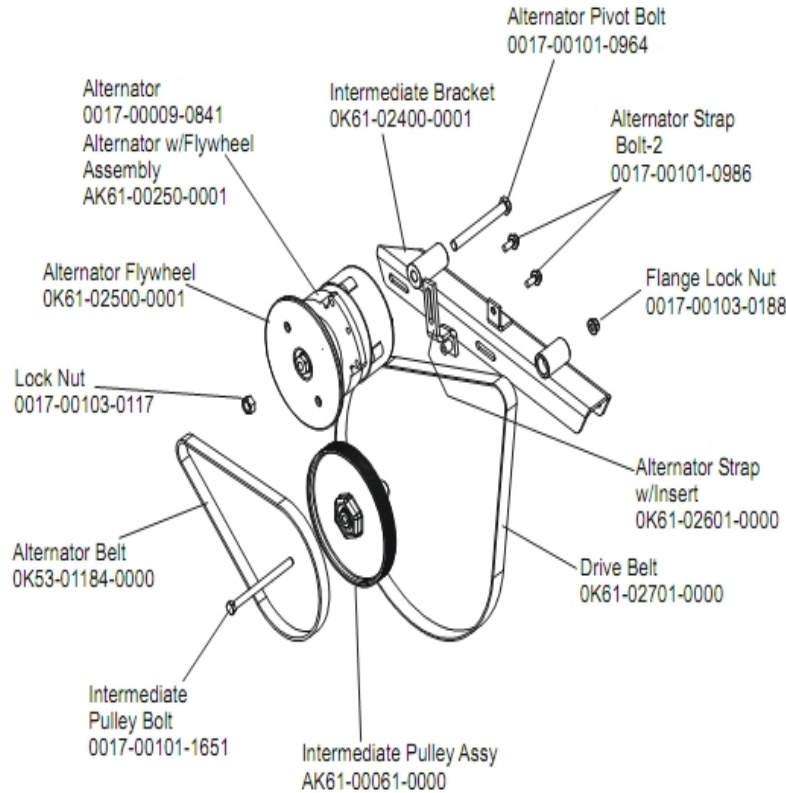
Ref #	Part Number	Qty	Description
-	AK61-00136-0000	1	Main Cable
-	AK61-00500-0015	1	Console Support Assembly
-	GK63-00002-0062	1	Accessory Tray Kit
-	OK62-01136-0002	2	Bullhorn Grip 11.75"
-	0017-00101-1645	2	Hardware: Bolt
-	0017-00104-0192	2	Hardware: Flat Washer 0.813" OD
-	OK61-01283-0001	1	Cap
-	0017-00101-1744	8	Hardware: Phillips Pan Screw
-	AK36-00021-0003	1	Cable Assembly

Crankshaft Assembly



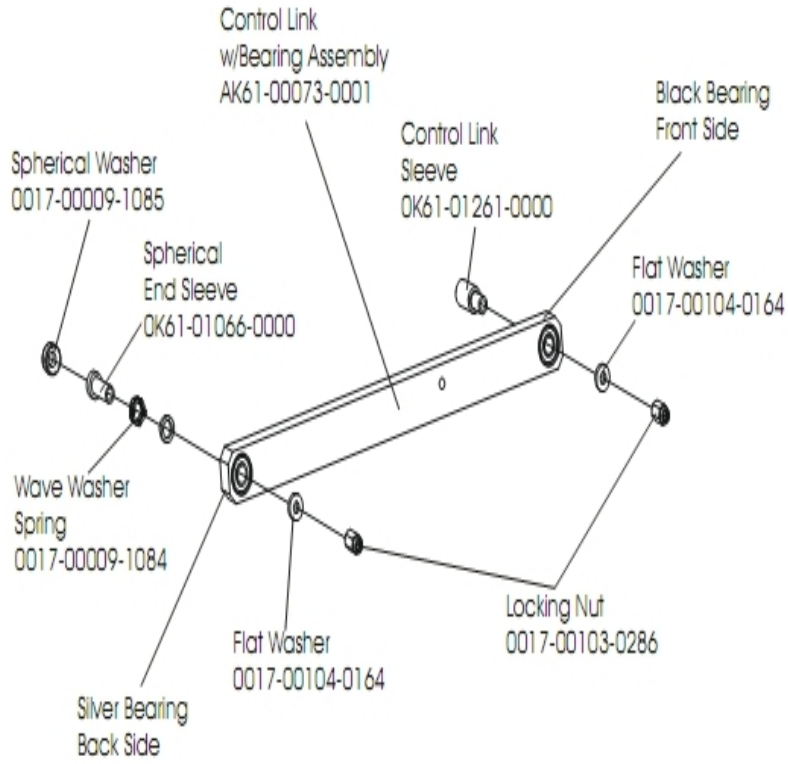
Ref #	Part Number	Qty	Description
-	0017-00103-0019	4	Hardware: Locking Nut 1/4" ID
-	OK61-02409-0000	1	Poly-V Crank Pulley
-	OK61-01360-0002	1	Crankshaft w/plate
-	0017-00104-0144	1	Hardware: Washer 0.625" OD
-	0017-00101-1551	4	Hardware: Hex Bolt 1.25"
-	0017-00100-0152	2	Hardware: Retaining Ring 1"
-	AK61-00157-0002	1	Crankshaft Assembly
-	OK61-02302-0001	1	Crankshaft Plate
-	0017-00101-1282	1	Hardware: TORX Screw 0.375"
-	OK53-01181-0000	2	Hardware: Pillow Block Bearing
-	AK62-00186-0000	1	Magnet-Standoff Assembly

Drive Belts And Alternator



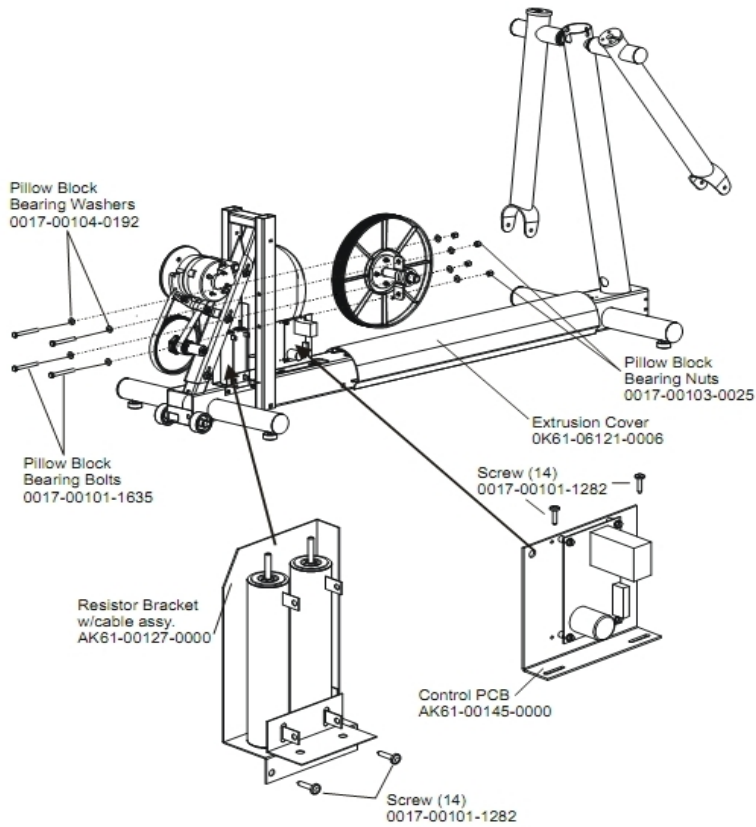
Ref #	Part Number	Qty	Description
-	0017-00101-0986	2	Hardware: Bolt 0.75"
-	AK61-00061-0000	1	Intermediate Pulley Assembly
-	0017-00103-0117	1	Hardware: Locking Nut 1/2" ID
-	OK61-02400-0001	1	Intermediate Bracket
-	0017-00101-0964	1	Hardware: Alternator Pivot Bolt 4.5"
-	0017-00009-0841	1	Alternator
-	0017-00101-1651	1	Hardware: Intermediate Pulley Bolt 5.5"
-	0017-00103-0188	1	Hardware: Flange Lock Nut 3/8" ID
-	OK61-02601-0000	1	Alternator Strap with Insert
-	OK53-01447-0000	1	Belt: Poly-V; 32"
-	OK61-01027-0000	1	Flywheel: 6.75" D
-	GK61-00002-0056	1	KIT: CROSS TRAINER BELT AND PULLEY
-	AK61-00250-0001	1	Alternator w/Flywheel

Drive Linkage Assembly



Ref #	Part Number	Qty	Description
-	GK61-00002-0020	2	Drive Linkage Assembly Kit
-	OK61-01066-0000	1	Spherical End Sleeve
-	0017-00009-1084	1	Wave Spring
-	0017-00009-1085	1	Spherical Washer
-	OK61-01261-0000	1	Control Link Sleeve
-	0017-00104-0164	2	Hardware: Washer 0.75" OD
-	0017-00103-0286	1	Hardware: Locking Nut

Frame Assembly



Ref #	Part Number	Qty	Description
-	0017-00104-0192	1	Hardware: Flat Washer 0.813" OD
-	AK61-00145-0001	1	PCB Assembly
-	0017-00101-1282	28	Hardware: TORX Screw 0.375"
-	0017-00103-0025	1	Hardware: Locking Nut 3/8" ID
-	0K61-06121-0008	1	Extrusion Cover
-	0017-00101-1635	1	Hardware: Hex Bolt 1"
-	AK61-00127-0000	1	Resistor Bracket Assembly

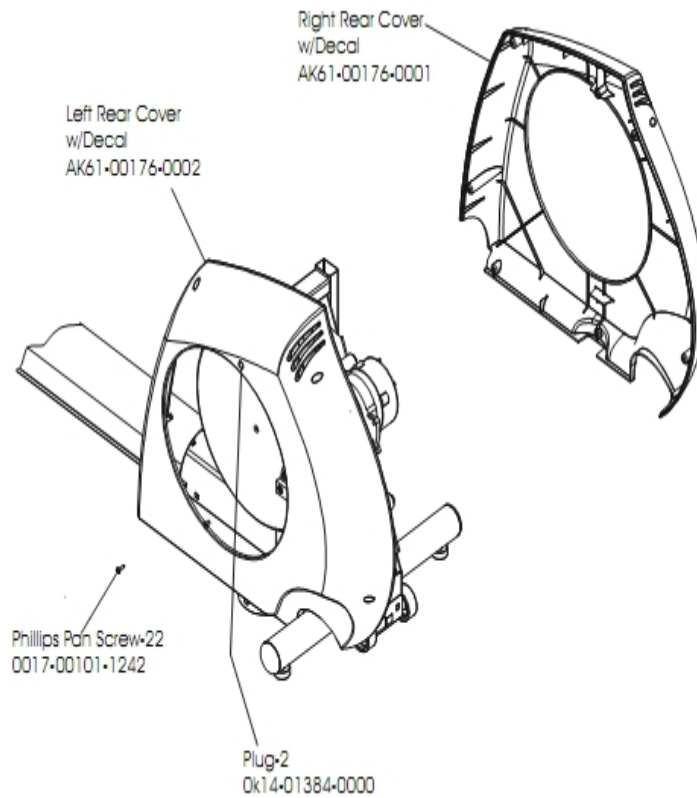
Miscellaneous

Ref #	Part Number	Qty	Description
-	0017-00021-2846	1	F-Type Panel Connector
-	0017-00008-0205	1	5 oz Bottle - Arctic Silver
-	0017-00008-0204	1	Paint Spray Can - Arctic Silver
-	AK32-00078-0001	1	Power Extension Cable: 120"
-	0017-00008-0199	1	Paint: Stealth Grey; 4.5OZ. Can
-	AK32-00020-0002	1	Coax Cable: 120"
-	0017-00008-0198	1	Paint: Stealth Grey; .6OZ. Bottle B
-	0017-00008-0206	1	.33oz Pen - Arctic Silver
-	0K32-01063-0000	1	Decal
-	AK61-00190-0000	1	Access Panel Assembly
-	0K61-01373-0003	1	BRKT: ACCESS
-	AK61-00181-0000	1	Hardware Bag

Pedal Lever Assembly

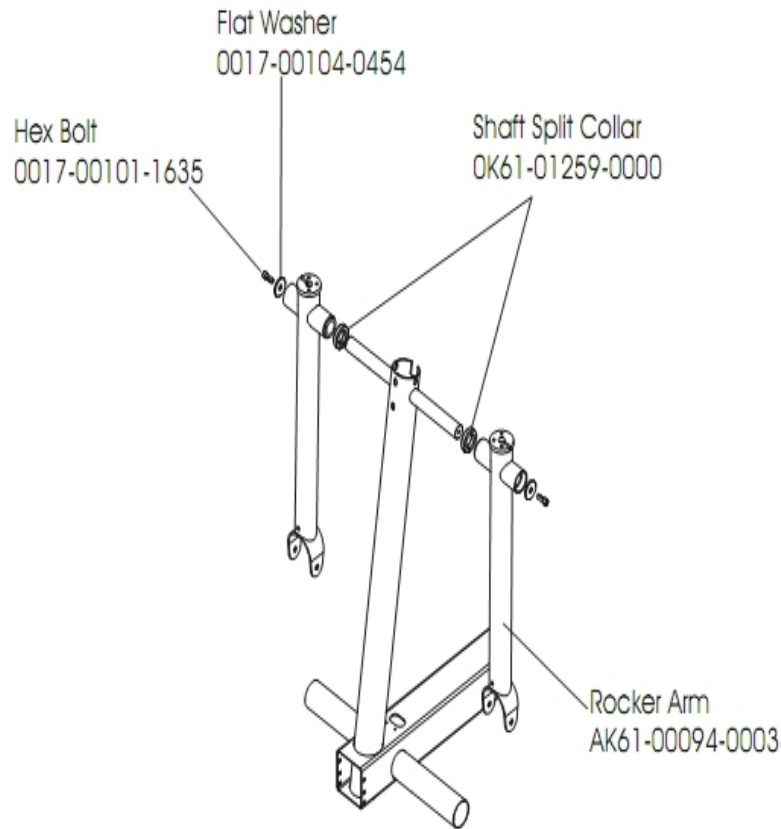
Ref #	Part Number	Qty	Description
-	0K61-04115-0002	4	Adhesive Tape
-	0017-00009-1143	4	Clip
-	0017-00101-1646	2	Hardware: Bolt 4.25"
-	0017-00103-0137	2	Hardware: Locking Nut 3/8" ID
-	AK61-00172-0001	1	Pedal Assembly: Right
-	0K61-01356-0000	1	Hardware: Beveled Washer
-	0K61-06300-0004	1	Inside Cover Left
-	0017-00101-1242	1	Hardware: Phillips Pan Screw 0.75"
-	0K61-01410-0300	1	Rocker Seal
-	0017-00041-0053	1	Viton O-ring
-	GK61-00002-0054	1	Pedal Kit
-	AK61-00172-0002	1	Pedal Assembly: Left
-	0K61-06320-0004	1	Inside Cover Right
-	0K61-01076-0000	2	Pedal Lever Clevis Shaft

Rear Drive Shrouds With Decals



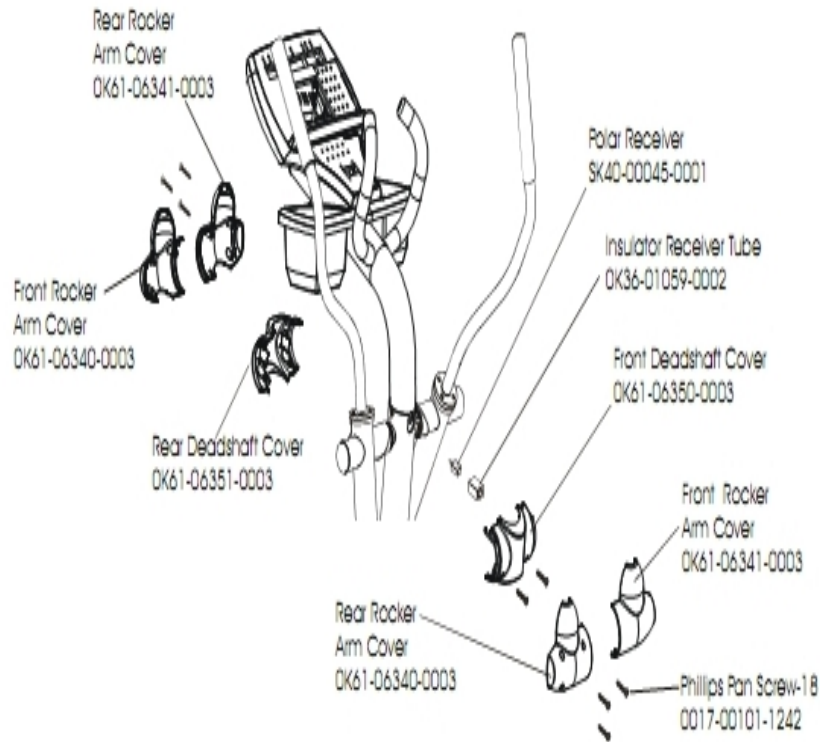
Ref #	Part Number	Qty	Description
-	0017-00101-1242	22	Hardware: Phillips Pan Screw 0.75"
-	AK61-00176-0001	1	Link Cover with Decal: Right
-	AK61-00176-0002	1	Link Cover with Decal: Left
-	0K14-01384-0000	2	Plug

Rocker Arm Assembly



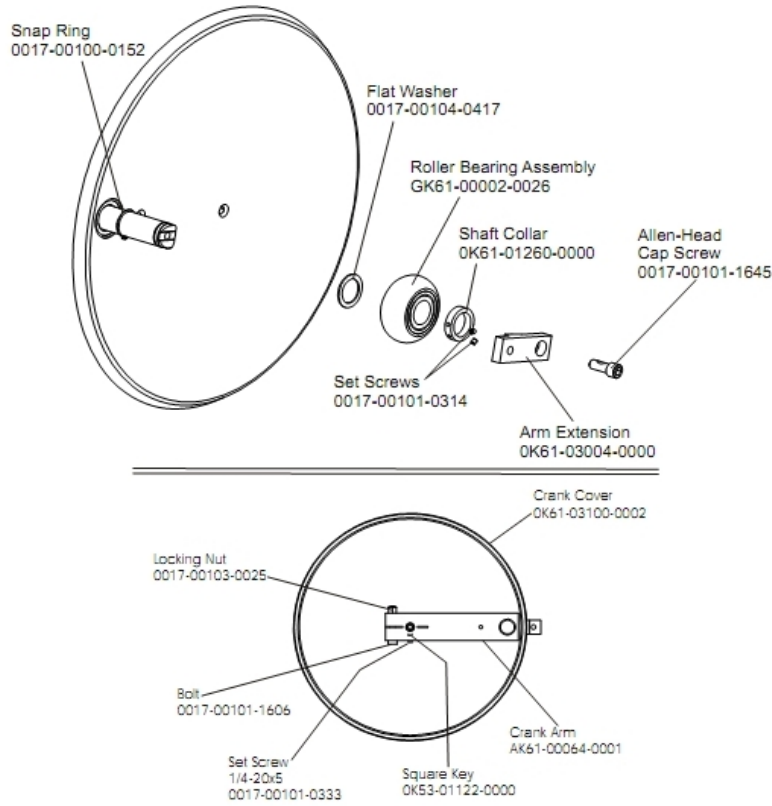
Ref #	Part Number	Qty	Description
-	0017-00101-1635	1	Hardware: Hex Bolt 1"
-	0K61-01259-0000	1	Shaft Split Collar
-	AK61-00094-0003	1	Rocker Arm
-	0017-00104-0454	1	Hardware: Flat Washer 1.62" OD

Rocker Arm Covers



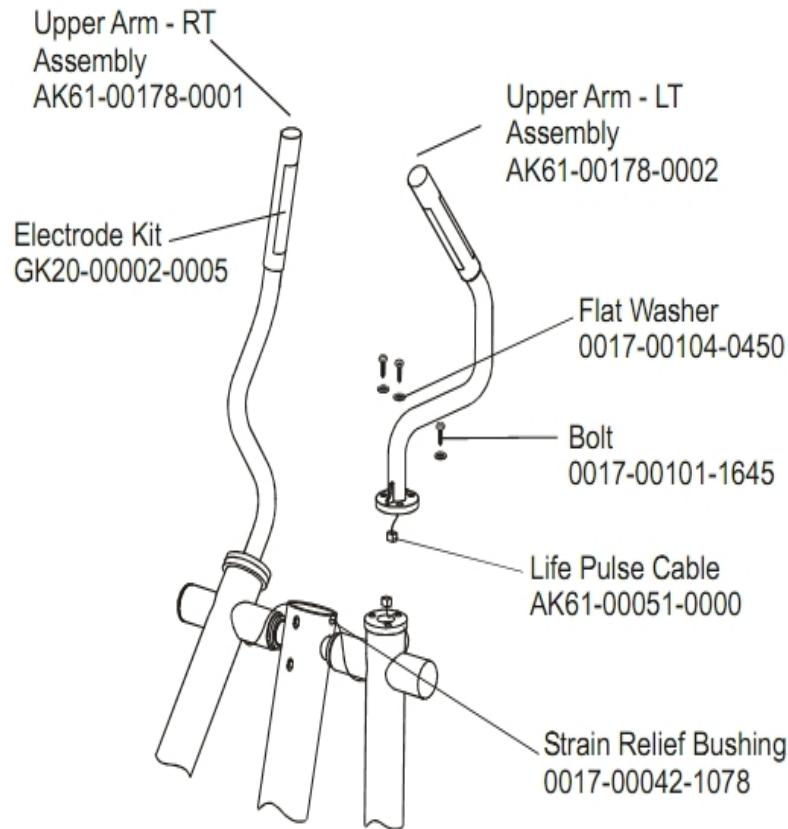
Ref #	Part Number	Qty	Description
-	SK40-00045-0001	1	Polar HR Kit
-	OK61-06340-0003	2	Front Rocker Arm Cover
-	0017-00101-1242	18	Hardware: Phillips Pan Screw 0.75"
-	OK61-06350-0003	1	Front Deadshaft Cover
-	OK36-01059-0002	1	Insulator Receiver Tube
-	OK61-06351-0003	1	Rear Deadshaft Cover
-	OK61-06341-0003	2	Front Rocker Arm Cover

Roller Assembly



Ref #	Part Number	Qty	Description
-	GK61-00002-0026	1	Roller
-	AK61-00064-0001	1	Crank Arm
-	0017-00103-0025	1	Hardware: Locking Nut 3/8" ID
-	0017-00101-1645	1	Hardware: Bolt
-	0017-00101-0333	1	Hardware: Screw 0.3125"
-	0017-00101-1606	1	Hardware: Hex Bolt 2.5"
-	0017-00101-0314	1	Hardware: Screw 0.1875"
-	OK53-01122-0000	1	Square Key
-	0017-00100-0152	1	Hardware: Retaining Ring 1"
-	OK61-03004-0000	1	Arm Extension
-	0017-00104-0417	1	Hardware: Flat Washer
-	OK61-03100-0002	1	Crank Cover
-	OK61-01260-0000	1	Crank Arm Shaft Collar

Upper Arm/Heart Rate Assembly



Ref #	Part Number	Qty	Description
-	0017-00042-1078	1	Hardware: Bushing
-	0017-00101-1645	1	Hardware: Bolt
-	AK61-00178-0002	1	Upper Arm Assembly: Left
-	0017-00104-0450	1	Hardware: Flat Washer 0.67" OD
-	GK20-00002-0005	1	Heart Rate Electrode Kit
-	AK61-00178-0001	1	Upper Arm Assembly: Right
-	AK61-00051-0000	1	Bullhorn HR cables

