

91X Classic Rear Drive Cross-Trainer

91XW-0100-01

Parts Manual

1/5/2019 7:22:37 AM

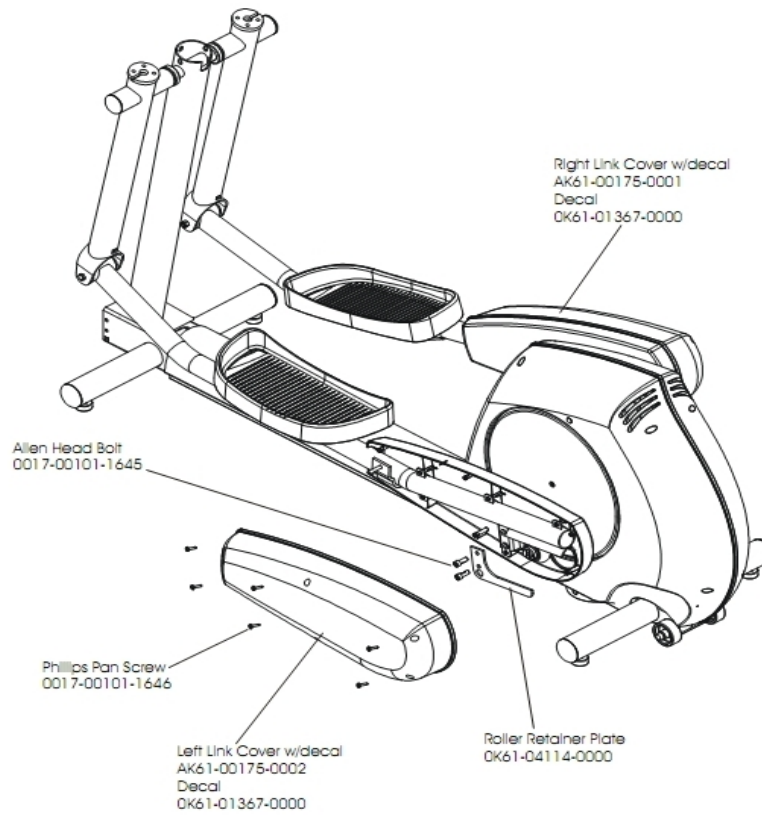


LifeFitness
WHAT WE LIVE FOR

Table of Contents

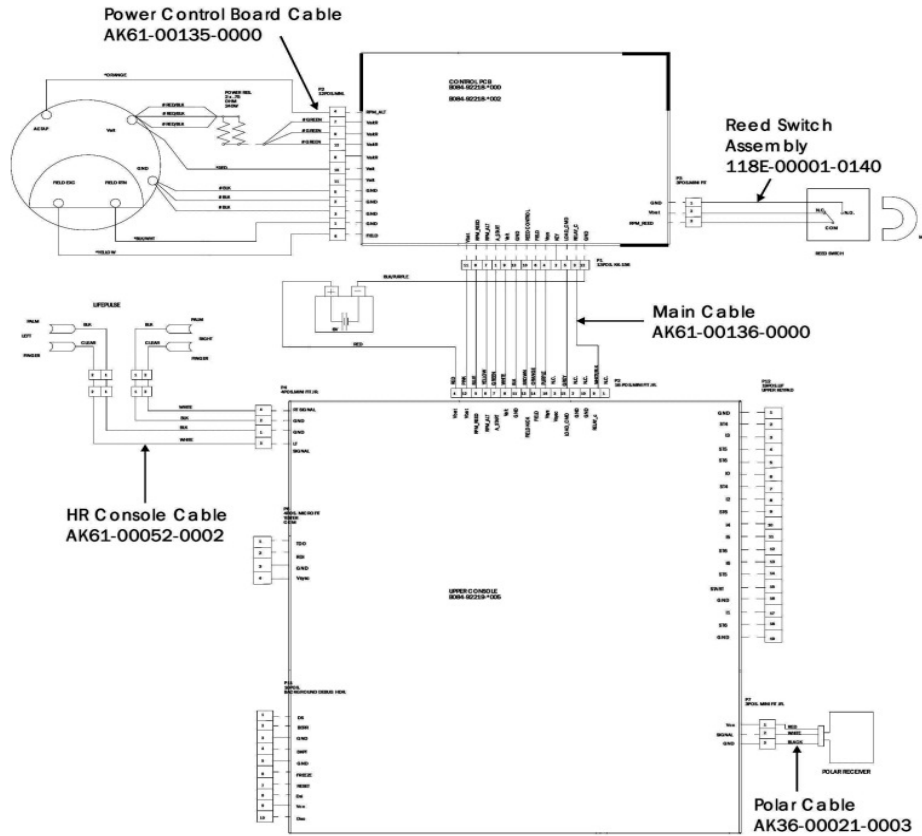
Anti Lift Bracket and Outer Pedal Covers	3
Cables	4
Clevis and Front Frame Covers	5
Console Assembly	6
Console Support Assembly	7
Crankshaft Assembly	8
Drive Belts and Alternator	9
Drive Linkage Assembly	10
Frame Assembly	11
Pedal Lever Assembly	12
Rear Drive Shrouds with Decals	13
References	14
Rocker Arm Assembly	15
Rocker Arm Covers	16
Roller Assembly	17
Upper Arm/Heart Rate Assembly	18

Anti Lift Bracket and Outer Pedal Covers



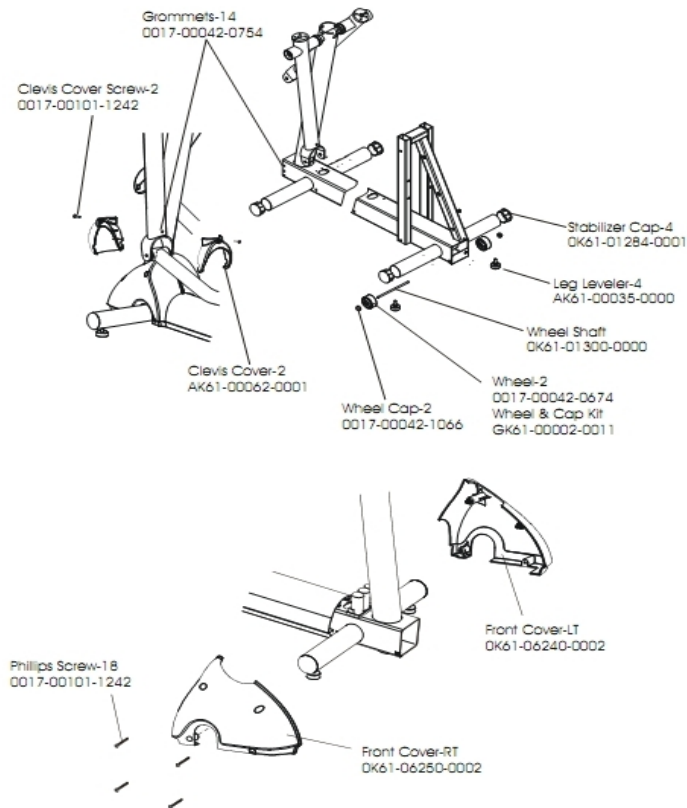
Ref #	Part Number	Qty	Description
-	AK61-00175-0001	1	Link Cover with Decal: Right
-	AK61-00175-0002	1	Link Cover with Decal: Left
-	0017-00101-1645	1	Hardware: Bolt
-	OK61-04114-0000	1	Roller Retainer Plate
-	OK61-01367-0000	2	Decal
-	0017-00101-1646	2	Hardware: Bolt 4.25"

Cables



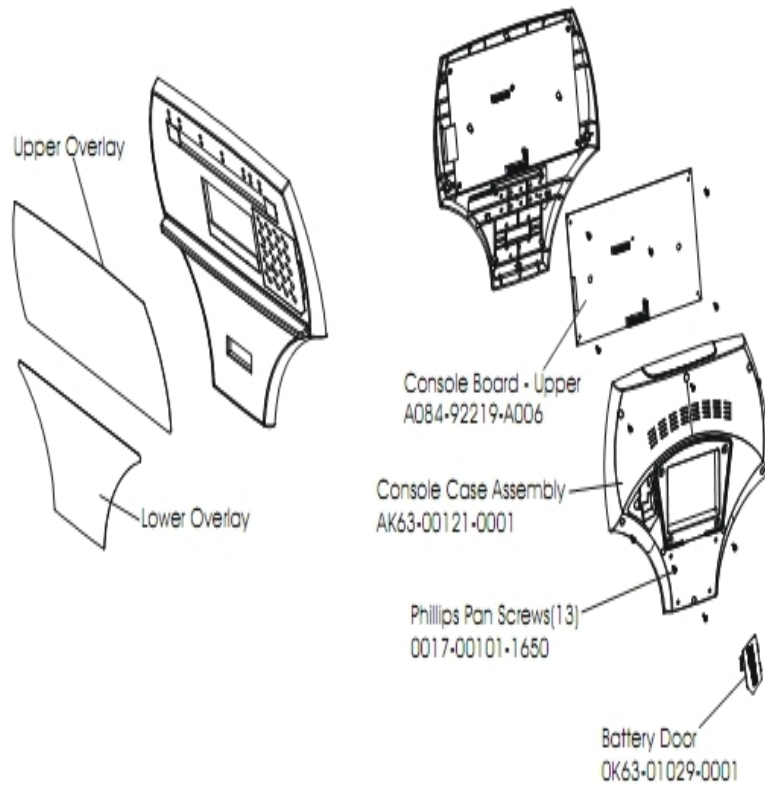
Ref #	Part Number	Qty	Description
-	AK61-00052-0002	1	Lifepulse Sensor Cable
-	AK61-00136-0000	1	Main Cable
-	AK61-00135-0000	1	Power Control Cable Assembly
-	118E-00001-0140	1	Reed Switch SPDT
-	AK36-00021-0003	1	Cable Assembly

Clevis and Front Frame Covers



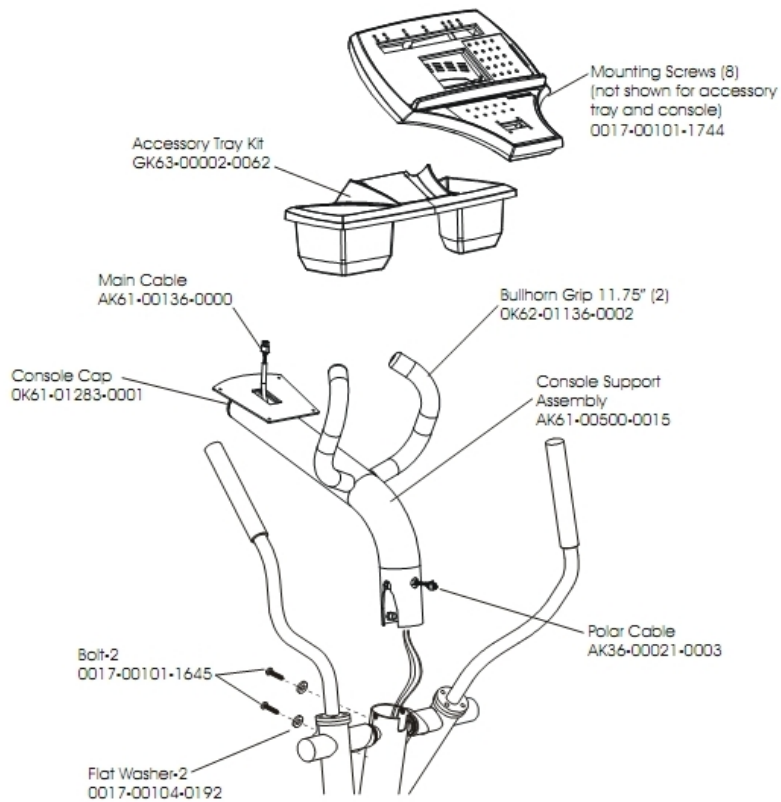
Ref #	Part Number	Qty	Description
-	AK61-00062-0001	2	Clevis Cover
-	0017-00042-0674	2	Wheel
-	OK61-01300-0000	1	Wheel Shaft
-	OK61-06240-0002	1	Front Cover Left
-	GK61-00002-0011	2	Wheel and Cap Kit
-	0017-00101-1242	20	Hardware: Phillips Pan Screw 0.75"
-	0017-00042-0754	14	Hardware: Grommet
-	OK61-01284-0304	4	Stabilizer Cap
-	OK61-06250-0002	1	Front Cover-RT
-	AK61-00035-0000	4	Leg Leveler
-	0017-00042-1066	2	Push-on cap

Console Assembly



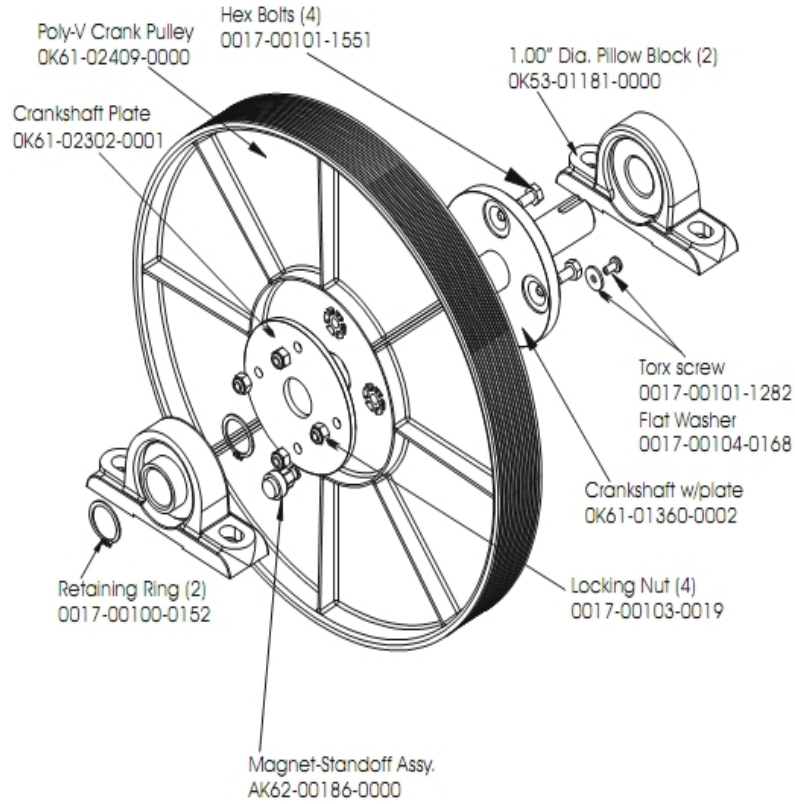
Ref #	Part Number	Qty	Description
-	OK63-01029-0001	1	Battery Door
-	A084-92219-A006	1	Console Board - Upper
-	AK61-00183-0001	1	Bezel Switch with Overlay: English/Metric
-	AK61-00203-0002	1	Console: English/Metric
-	AK63-00121-0001	1	Console Case Assembly
-	0017-00101-1650	13	Hardware: Phillips Pan Screw 0.375"

Console Support Assembly



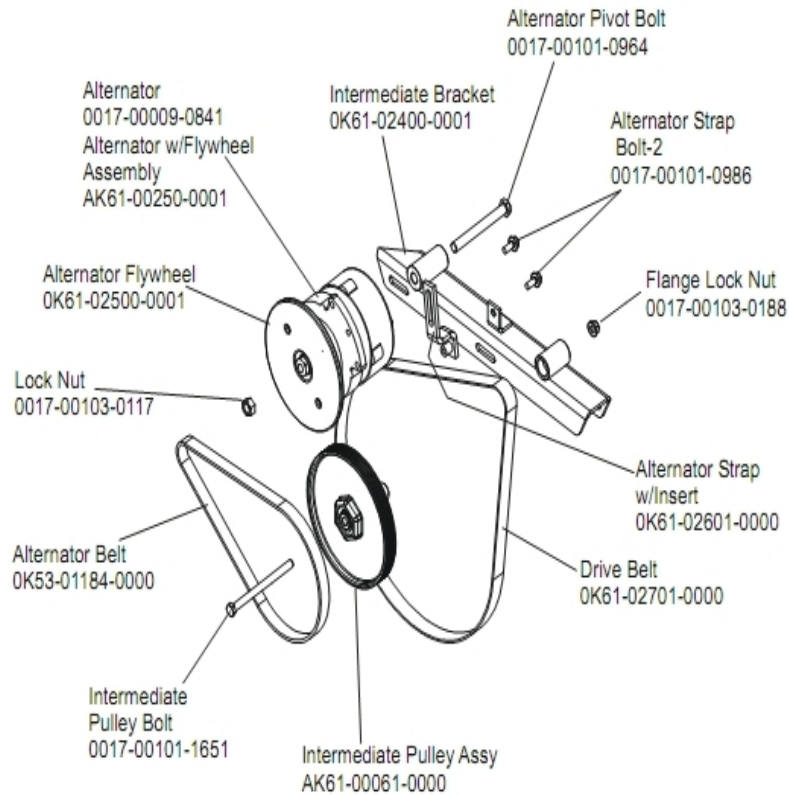
Ref #	Part Number	Qty	Description
-	0017-00101-1645	2	Hardware: Bolt
-	AK61-00136-0000	1	Main Cable
-	AK61-00500-0015	1	Console Support Assembly
-	OK61-01283-0001	1	Cap
-	0017-00104-0192	2	Hardware: Flat Washer 0.813" OD
-	OK62-01136-0002	2	Bullhorn Grip 11.75"
-	GK63-00002-0062	1	Accessory Tray Kit
-	AK36-00021-0003	1	Cable Assembly
-	0017-00101-1744	8	Hardware: Phillips Pan Screw

Crankshaft Assembly



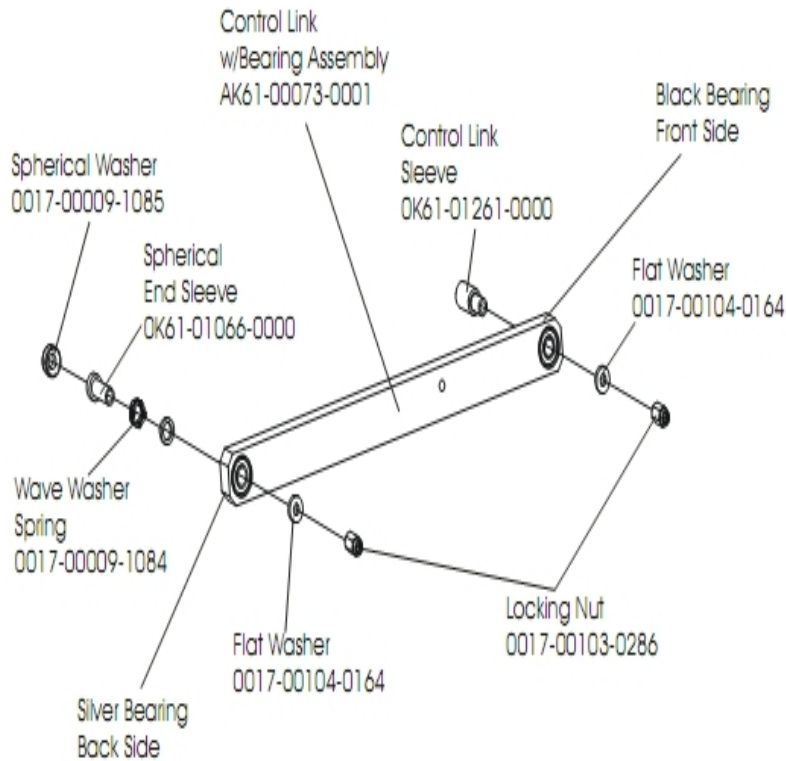
Ref #	Part Number	Qty	Description
-	AK62-00186-0000	1	Magnet-Standoff Assembly
-	OK53-01181-0000	2	Hardware: Pillow Block Bearing
-	AK61-00157-0002	1	Crankshaft Assembly
-	OK61-02302-0001	1	Crankshaft Plate
-	0017-00101-1282	1	Hardware: TORX Screw 0.375"
-	0017-00101-1551	4	Hardware: Hex Bolt 1.25"
-	0017-00104-0168	1	Hardware: Flat Washer 0.5" OD
-	0017-00100-0152	2	Hardware: Retaining Ring 1"
-	OK61-02409-0000	1	Poly-V Crank Pulley
-	OK61-01360-0002	1	Crankshaft w/plate
-	0017-00103-0019	4	Hardware: Locking Nut 1/4" ID

Drive Belts and Alternator



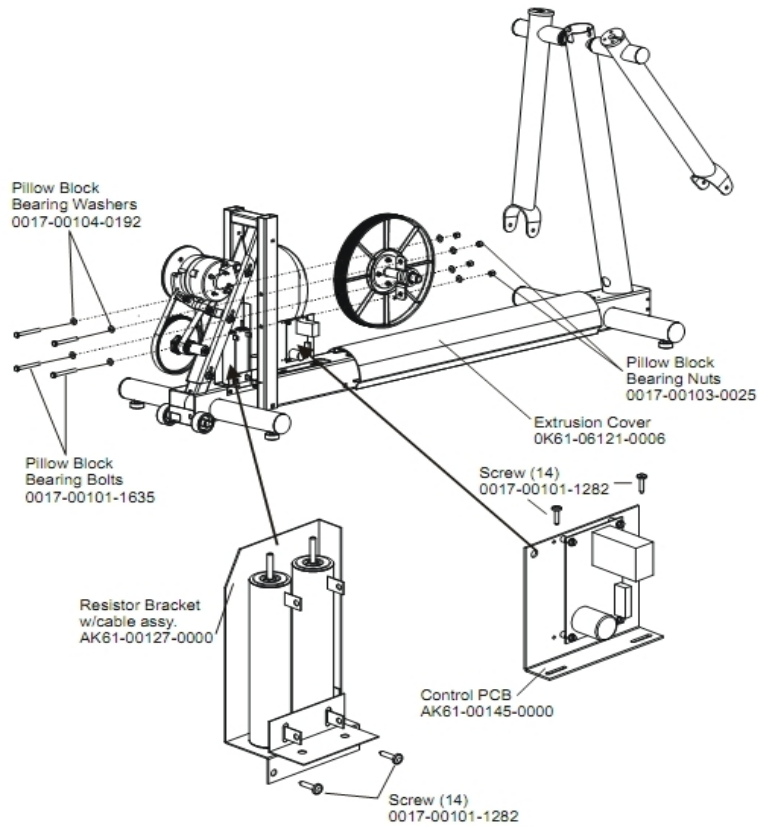
Ref #	Part Number	Qty	Description
-	OK53-01447-0000	1	Belt: Poly-V; 32"
-	OK61-01027-0000	1	Flywheel: 6.75" D
-	0017-00101-0964	1	Hardware: Alternator Pivot Bolt 4.5"
-	0017-00009-0841	1	Alternator
-	AK61-00061-0000	1	Intermediate Pulley Assembly
-	OK61-02400-0001	1	Intermediate Bracket
-	0017-00101-1651	1	Hardware: Intermediate Pulley Bolt 5.5"
-	0017-00103-0188	1	Hardware: Flange Lock Nut 3/8" ID
-	GK61-00002-0056	1	KIT: CROSS TRAINER BELT AND PULLEY
-	0017-00101-0986	2	Hardware: Bolt 0.75"
-	0017-00103-0117	1	Hardware: Locking Nut 1/2" ID
-	AK61-00250-0001	1	Alternator w/Flywheel
-	OK61-02601-0000	1	Alternator Strap with Insert

Drive Linkage Assembly



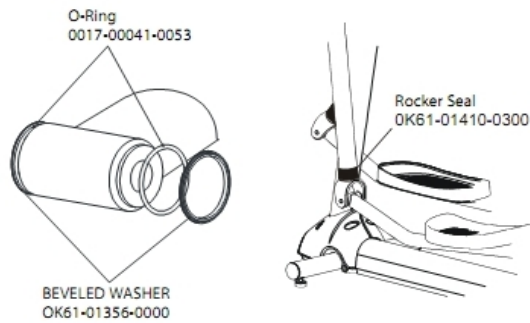
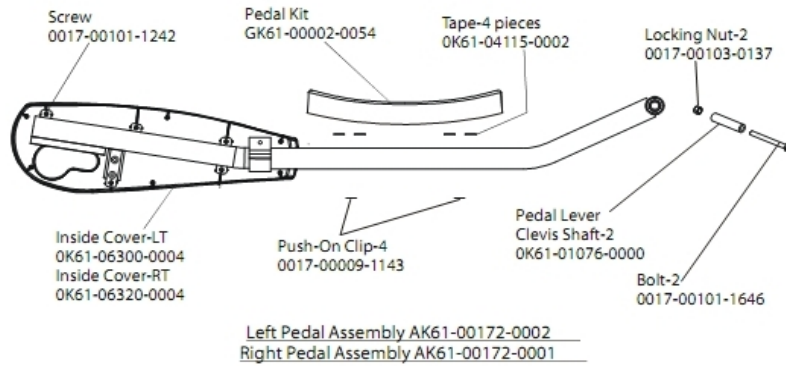
Ref #	Part Number	Qty	Description
-	0017-00009-1084	1	Wave Spring
-	0017-00104-0164	2	Hardware: Washer 0.75" OD
-	0017-00103-0286	2	Hardware: Locking Nut
-	0017-00009-1085	1	Spherical Washer
-	OK61-01066-0000	1	Spherical End Sleeve
-	GK61-00002-0020	1	Drive Linkage Assembly Kit
-	OK61-01261-0000	1	Control Link Sleeve

Frame Assembly



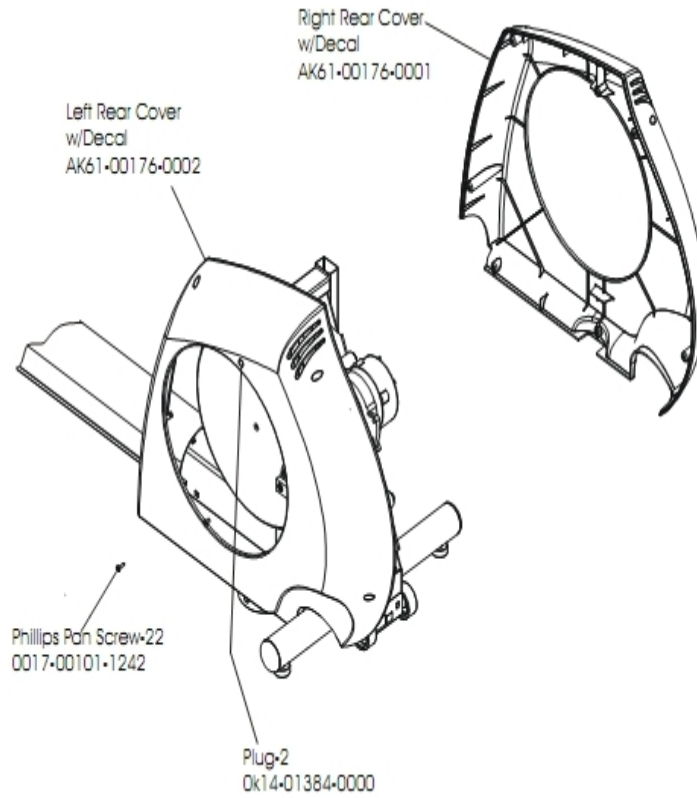
Ref #	Part Number	Qty	Description
-	0017-00104-0192	8	Hardware: Flat Washer 0.813" OD
-	0017-00101-1282	28	Hardware: TORX Screw 0.375"
-	AK61-00127-0000	1	Resistor Bracket Assembly
-	0K61-06121-0006	1	Extrusion Cover
-	0017-00101-1635	4	Hardware: Hex Bolt 1"
-	0017-00103-0025	4	Hardware: Locking Nut 3/8" ID
-	AK61-00145-0001	1	PCB Assembly

Pedal Lever Assembly



Ref #	Part Number	Qty	Description
-	0017-00101-1646	4	Hardware: Bolt 4.25"
-	OK61-06320-0004	2	Inside Cover Right
-	OK61-01410-0300	2	Rocker Seal
-	OK61-04115-0002	8	Adhesive Tape
-	0017-00041-0053	2	Viton O-ring
-	OK61-01076-0000	4	Pedal Lever Clevis Shaft
-	OK61-06300-0004	2	Inside Cover Left
-	GK61-00002-0054	2	Pedal Kit
-	AK61-00172-0001	1	Pedal Assembly: Right
-	0017-00101-1242	2	Hardware: Phillips Pan Screw 0.75"
-	0017-00009-1143	8	Clip
-	0017-00103-0137	4	Hardware: Locking Nut 3/8" ID
-	OK61-01356-0000	2	Hardware: Beveled Washer
-	AK61-00172-0002	1	Pedal Assembly: Left

Rear Drive Shrouds with Decals

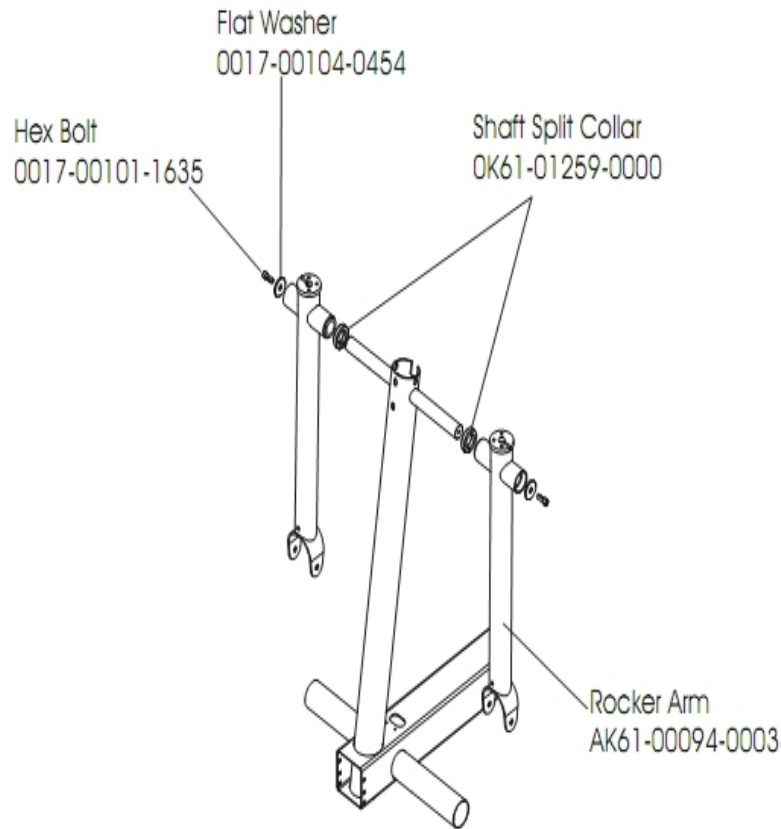


Ref #	Part Number	Qty	Description
-	AK61-00176-0001	1	Link Cover with Decal: Right
-	0017-00101-1242	22	Hardware: Phillips Pan Screw 0.75"
-	OK14-01384-0000	2	Plug
-	AK61-00176-0002	1	Link Cover with Decal: Left

References

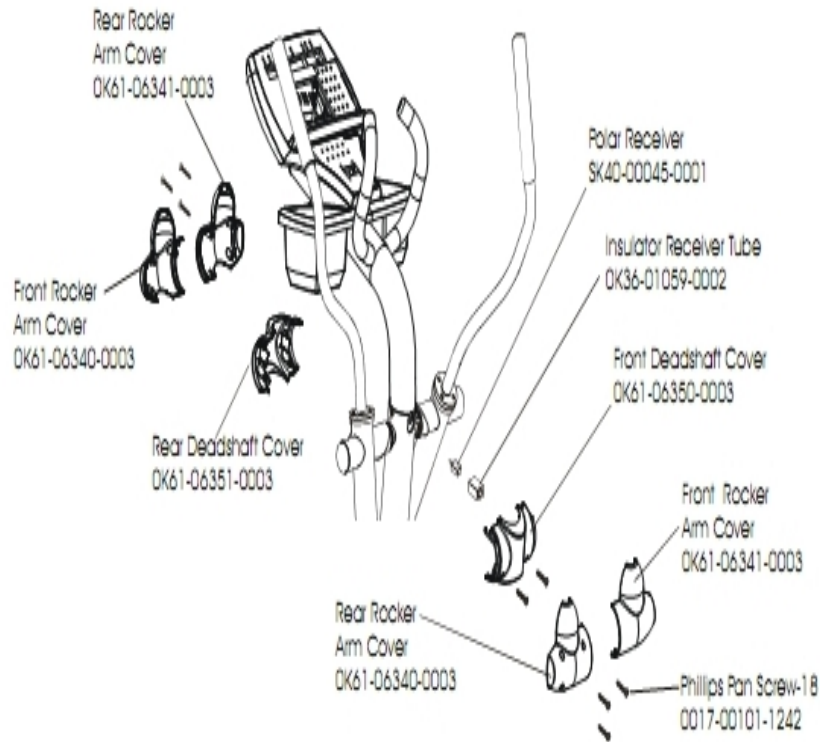
Ref #	Part Number	Qty	Description
-	0017-00021-2846	1	F-Type Panel Connector
-	0017-00008-0205	1	5 oz Bottle - Arctic Silver
-	0017-00008-0204	1	Paint Spray Can - Arctic Silver
-	AK32-00078-0001	1	Power Extension Cable: 120"
-	0017-00008-0199	1	Paint: Stealth Grey; 4.5OZ. Can
-	AK32-00020-0002	1	Coax Cable: 120"
-	AK61-00190-0000	1	Access Panel Assembly
-	0017-00008-0198	1	Paint: Stealth Grey; .6OZ. Bottle B
-	0017-00008-0206	1	.33oz Pen - Arctic Silver
-	0017-00042-0754	1	Hardware: Grommet
-	0K61-01373-0003	1	BRKT: ACCESS
-	AK61-00181-0000	1	Hardware Bag

Rocker Arm Assembly



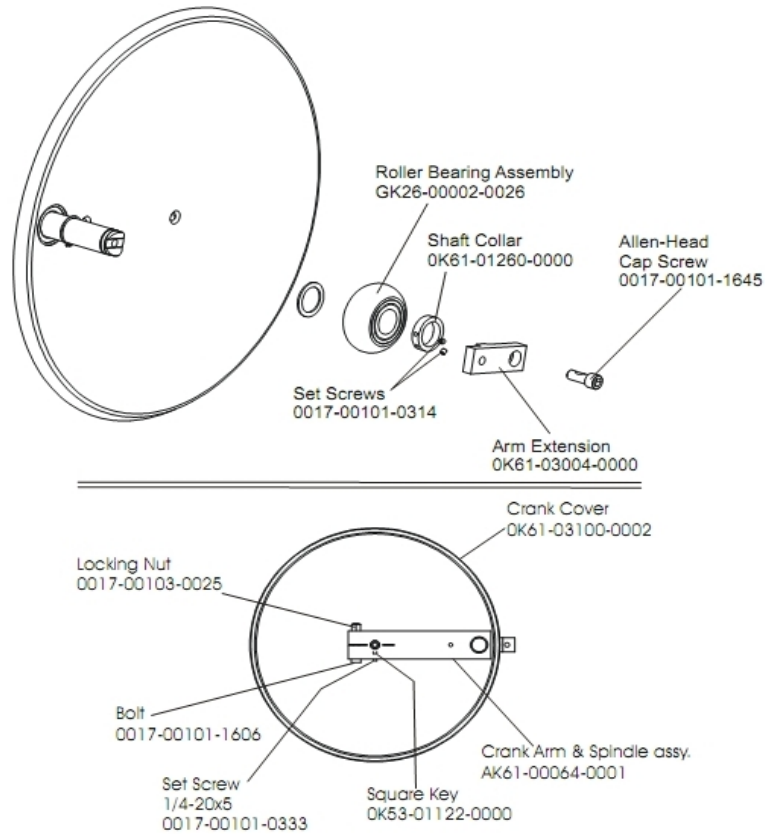
Ref #	Part Number	Qty	Description
-	0017-00104-0454	2	Hardware: Flat Washer 1.62" OD
-	OK61-01259-0000	2	Shaft Split Collar
-	AK61-00094-0003	2	Rocker Arm
-	0017-00101-1635	2	Hardware: Hex Bolt 1"

Rocker Arm Covers



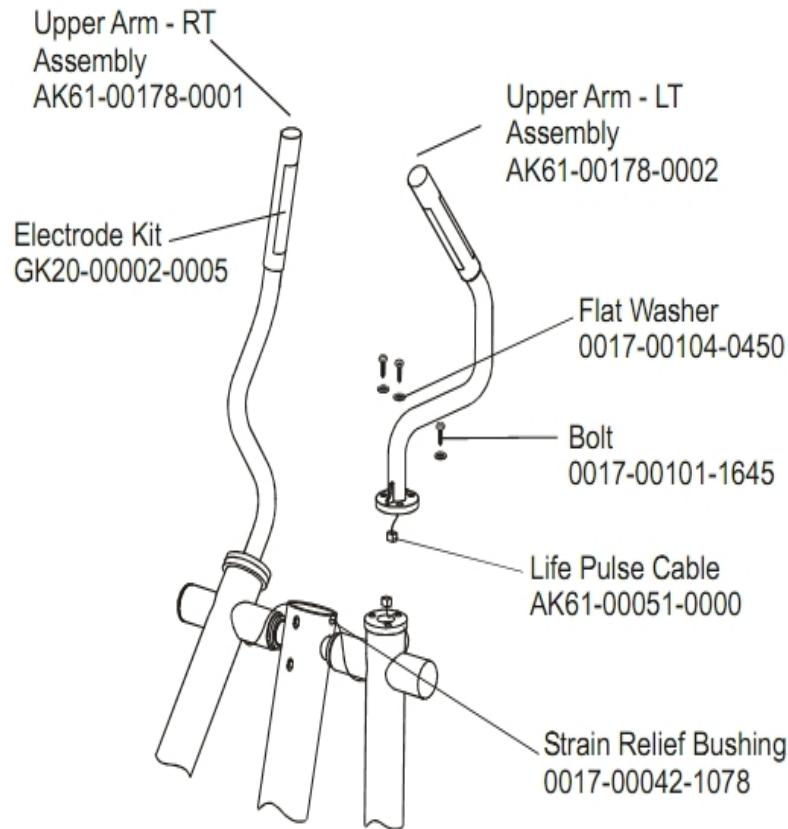
Ref #	Part Number	Qty	Description
-	SK40-00045-0001	1	Polar HR Kit
-	OK61-06351-0003	1	Rear Deadshaft Cover
-	OK61-06340-0003	2	Front Rocker Arm Cover
-	OK36-01059-0002	1	Insulator Receiver Tube
-	OK61-06350-0003	1	Front Deadshaft Cover
-	0017-00101-1242	18	Hardware: Phillips Pan Screw 0.75"
-	OK61-06341-0003	2	Front Rocker Arm Cover

Roller Assembly



Ref #	Part Number	Qty	Description
-	0017-00101-1606	2	Hardware: Hex Bolt 2.5"
-	0017-00101-0314	2	Hardware: Screw 0.1875"
-	OK61-03004-0000	2	Arm Extension
-	OK61-03100-0002	2	Crank Cover
-	OK53-01122-0000	2	Square Key
-	AK61-00064-0001	2	Crank Arm
-	0017-00103-0025	2	Hardware: Locking Nut 3/8" ID
-	0017-00101-1645	2	Hardware: Bolt
-	0017-00101-0333	2	Hardware: Screw 0.3125"
-	GK26-00002-0026	2	Debris Brush
-	OK61-01260-0000	2	Crank Arm Shaft Collar

Upper Arm/Heart Rate Assembly



Ref #	Part Number	Qty	Description
-	AK61-00178-0002	1	Upper Arm Assembly: Left
-	0017-00042-1078	1	Hardware: Bushing
-	AK61-00178-0001	1	Upper Arm Assembly: Right
-	GK20-00002-0005	2	Heart Rate Electrode Kit
-	0017-00101-1645	3	Hardware: Bolt
-	AK61-00051-0000	1	Bullhorn HR cables
-	0017-00104-0450	3	Hardware: Flat Washer 0.67" OD

