

93R Recumbent Lifecycle

93R-0000-01

Parts Manual

1/5/2019 7:36:58 AM

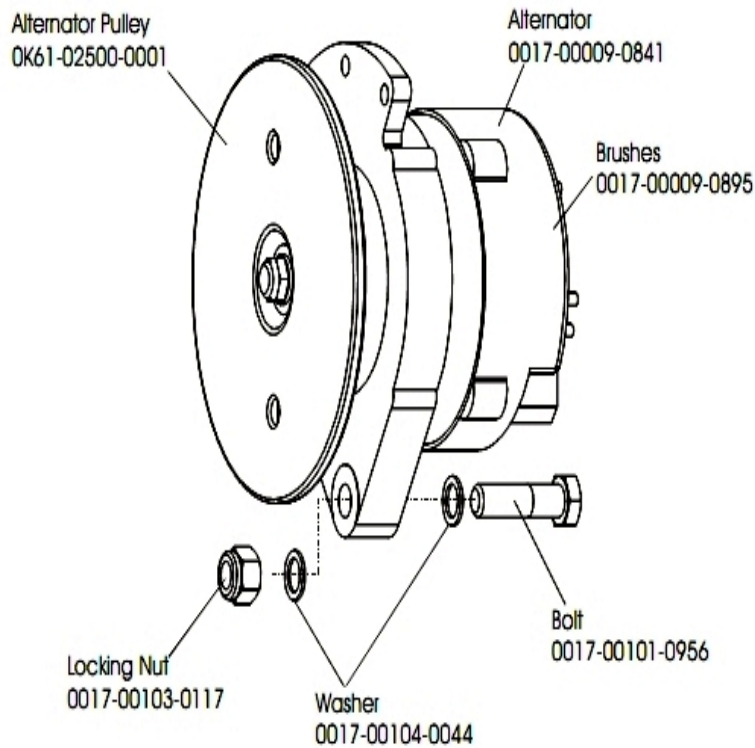


LifeFitness
WHAT WE LIVE FOR

Table of Contents

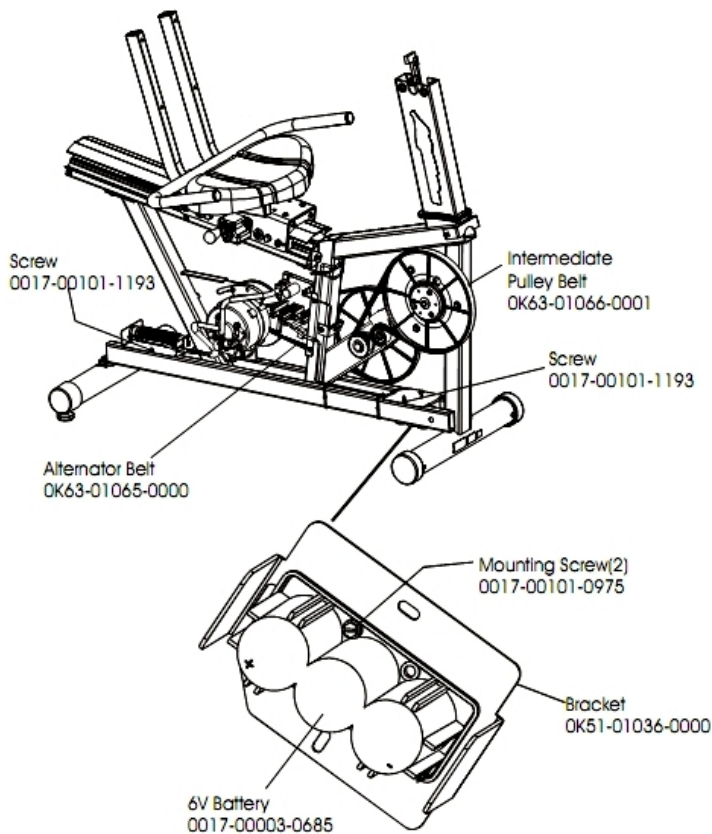
Alternator Assembly	3
Belts and 6V Battery	4
Cables	5
Console Components	6
Console Support Assembly	7
Crankshaft and Bearing Assembly	8
Extrusion Assembly	9
General Assembly	10
Idler Bracket Assembly	11
Intermediate Shaft and Bearing Assembly	12
Locking Assembly	13
Power Control Board	14
Resistor Assembly	15
Seat Assembly	16
Seat Bottom Assembly	17
Seat Frame Assembly	18
Seat Pads and Accessory Tray	19
Shrouds, End Caps and Crank Arm	20
Wheel and Leveler	21

Alternator Assembly



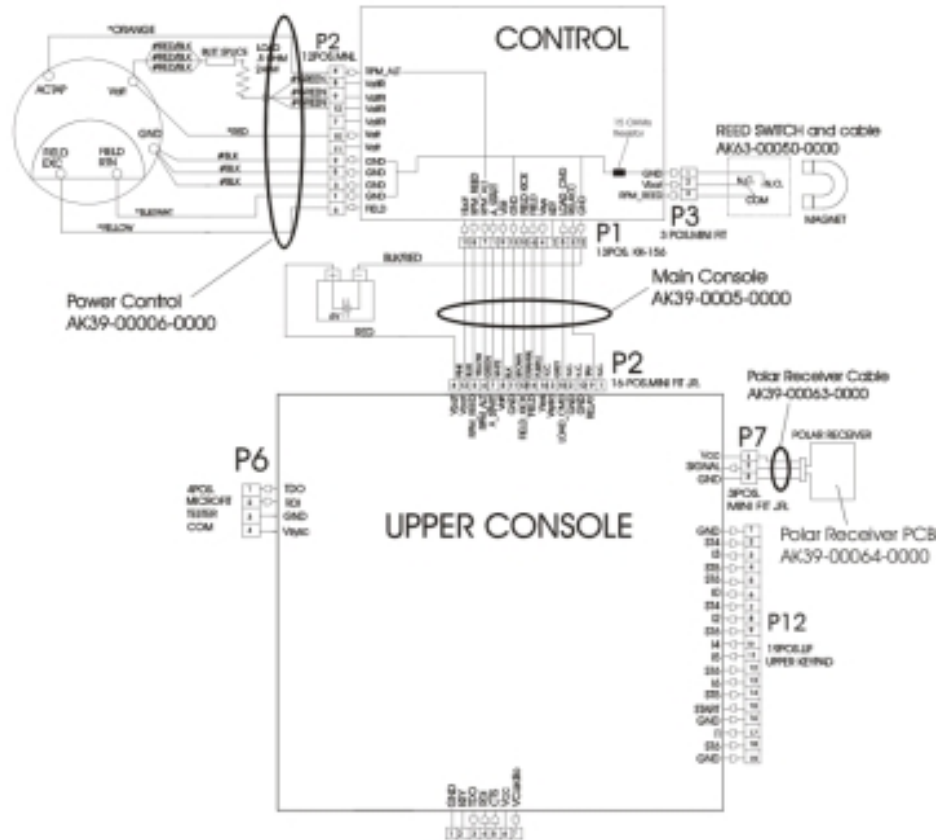
Ref #	Part Number	Qty	Description
-	0017-00009-0895	1	Alternator Brush Kit
-	0017-00009-0841	1	Alternator
-	AK63-00093-0000	1	Alternator w/Pulley
-	0017-00104-0044	2	Hardware: Washer 0.75" OD
-	0017-00103-0117	1	Hardware: Locking Nut 1/2" ID
-	OK61-01027-0000	1	Flywheel: 6.75" D
-	0017-00101-0956	1	Hardware: Bolt 2"

Belts and 6V Battery



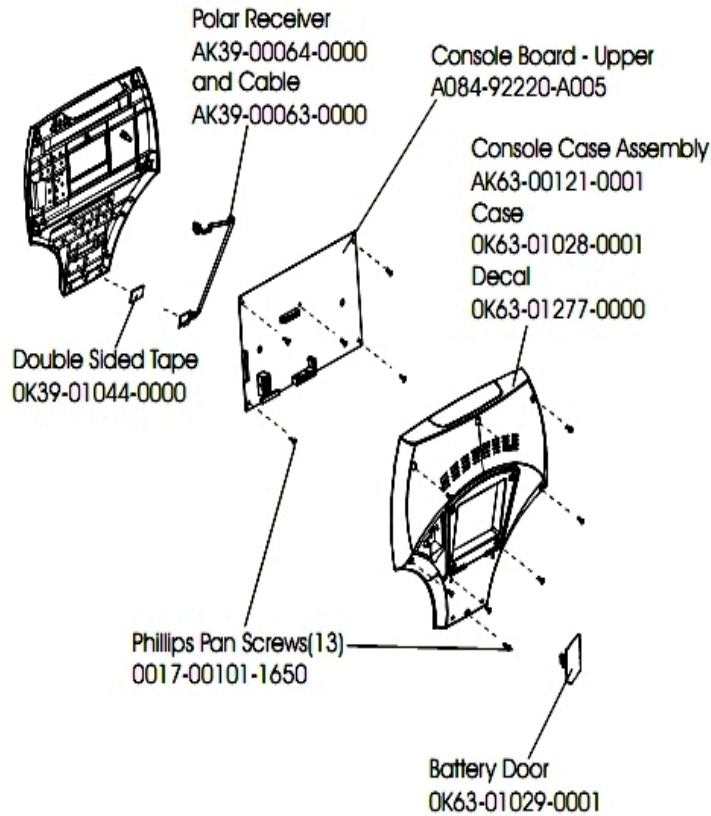
Ref #	Part Number	Qty	Description
-	0017-00003-0685	1	6V Battery
-	OK63-01405-0000	1	BELT: POLY-V; 390J6; 39.00 IN
-	0017-00101-0975	2	Hardware: Mounting Bolt 0.375"
-	GK63-00002-0079	1	Kit: Upright/Rec Belt And Pulley
-	0017-00101-1193	2	Hardware: Screw 0.375"
-	OK51-01036-0000	1	Battery Bracket

Cables



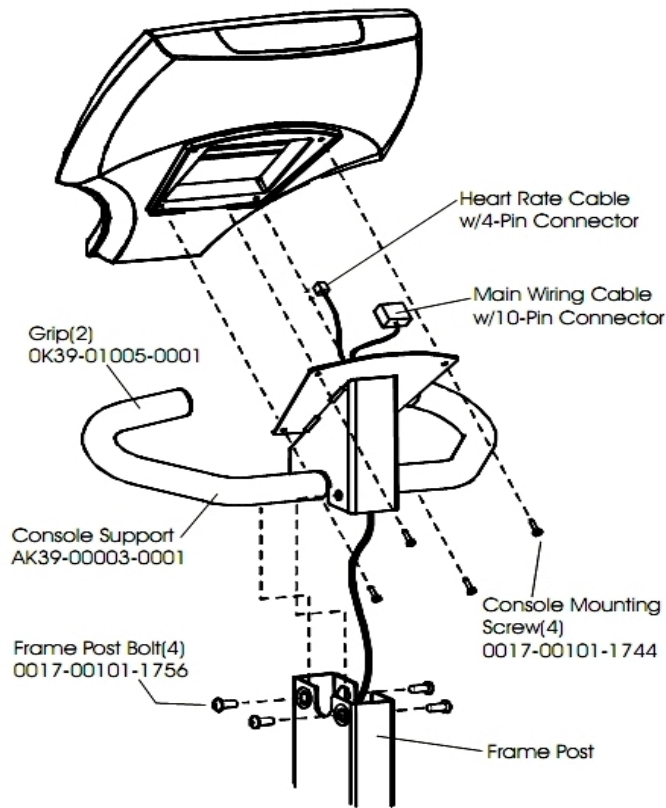
Ref #	Part Number	Qty	Description
-	118E-00001-0259	1	Wireless Receiver Module, Non-Coded
-	AK39-00005-0000	1	Console to ACB Cable
-	AK39-00006-0000	1	Power Cable
-	AK39-00063-0000	1	Polar Cable
-	AK63-00050-0000	1	Reed Switch Bracket Assembly

Console Components



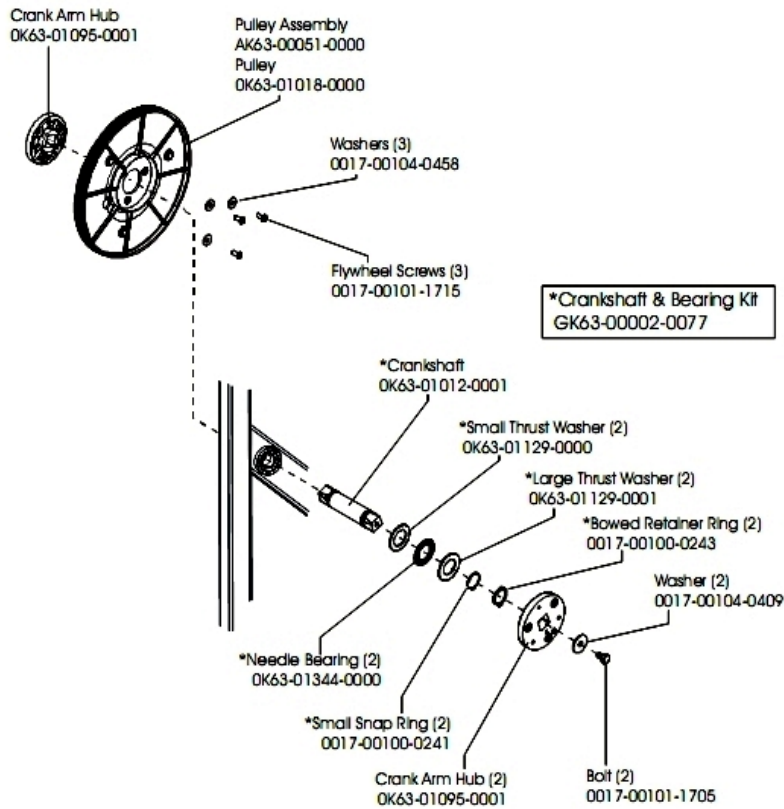
Ref #	Part Number	Qty	Description
-	OK63-01029-0001	1	Battery Door
-	A084-92220-A005	1	Console Board - Upper
-	0017-00101-1650	13	Hardware: Phillips Pan Screw 0.375"
-	AK39-00071-0001	1	Console Assembly English Metric
-	OK39-01044-0000	1	Tape
-	OK63-01028-0001	1	Case
-	AK63-00121-0001	1	Console Case Assembly
-	AK63-00167-0001	1	Bezel with Overlay Assembly English Metric
-	118E-00001-0259	1	Wireless Receiver Module, Non-Coded
-	AK39-00063-0000	1	Polar Cable
-	OK63-01277-0000	1	Console Decal

Console Support Assembly



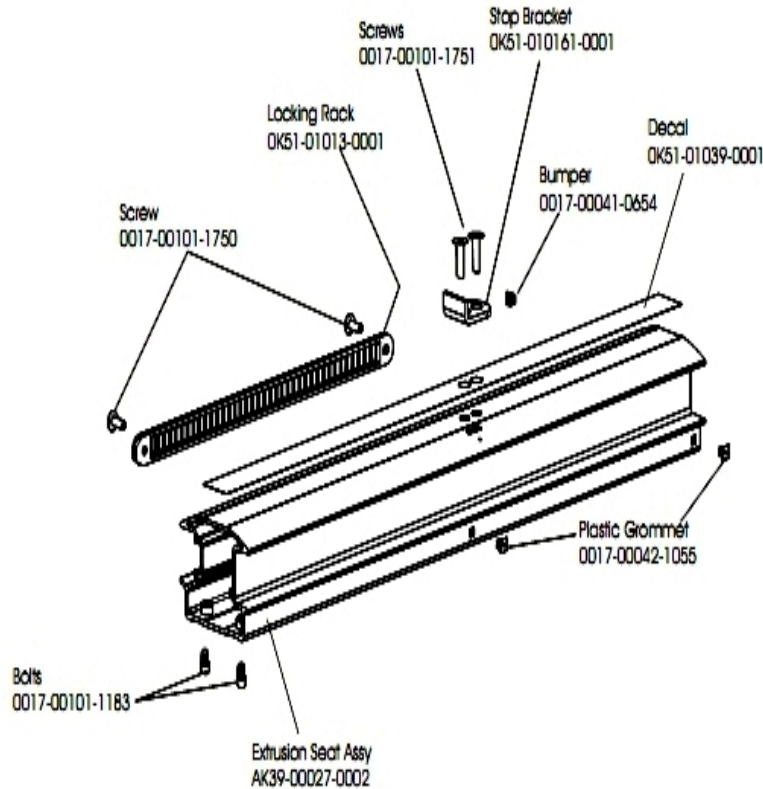
Ref #	Part Number	Qty	Description
-	0017-00101-1756	4	Hardware: Frame Post Bolt 0.75"
-	OK39-01005-0001	2	Grip
-	AK39-00003-0001	1	Console Support
-	0017-00101-1744	4	Hardware: Phillips Pan Screw

Crankshaft and Bearing Assembly



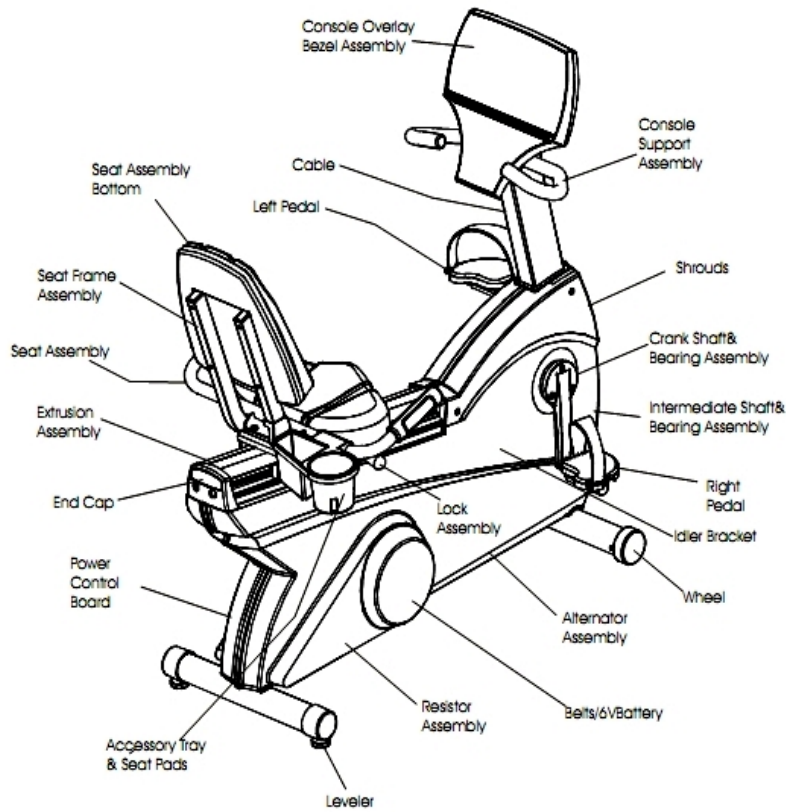
Ref #	Part Number	Qty	Description
-	OK63-01129-0000	2	Hardware: Small Thrust Washer
-	OK63-01129-0001	2	Hardware: Large Thrust Washer
-	AK63-00051-0000	1	Pulley Assembly
-	OK63-01095-0001	3	Crank Arm Hub
-	0017-00101-1705	2	Hardware: Bolt 0.5"
-	OK63-01344-0000	2	Hardware: Needle Bearing
-	0017-00100-0241	2	Hardware: Small Snap Ring .984"
-	OK63-01018-0000	1	Crank Pulley
-	0017-00100-0243	2	Hardware: Bowed Retaining Ring .984"
-	0017-00101-1715	3	Hardware: TORX Cap Screw 0.625"
-	0017-00104-0409	2	Hardware: Washer 1.125" OD
-	OK63-01012-0001	1	Crankshaft
-	GK63-00002-0077	2	Crankshaft and Bearing Kit
-	0017-00104-0458	3	Hardware: Flat Washer 0.75" OD

Extrusion Assembly



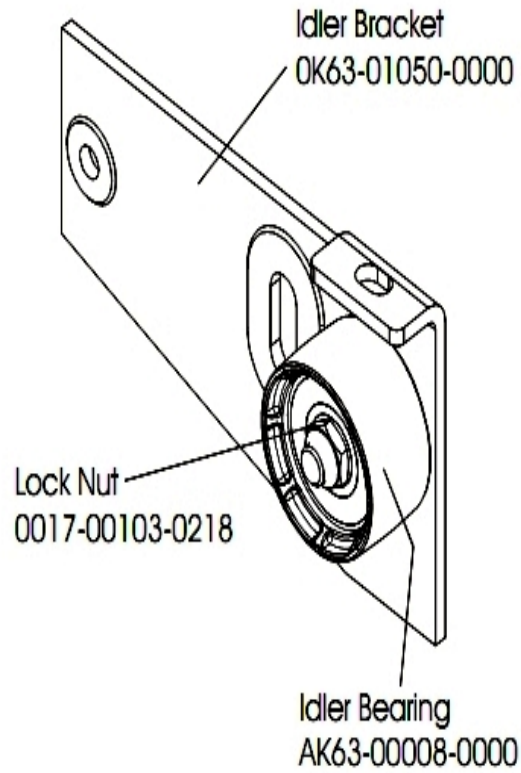
Ref #	Part Number	Qty	Description
-	0017-00041-0654	1	Bumper
-	0017-00101-1183	2	Hardware: Bolt 0.75"
-	AK61-00035-0000	2	Leg Leveler
-	OK39-01068-0000	1	Decal
-	AK63-00017-0001	1	Front Wheel Assembly
-	AK63-00051-0000	1	Pulley Assembly
-	0017-00101-1751	2	Hardware: Screw 1"
-	OK39-01042-0005	1	Crank Arm Right
-	OK63-01095-0001	1	Crank Arm Hub
-	OK51-01013-0002	1	Locking Rack
-	OK63-01018-0000	1	Crank Pulley
-	A084-92220-A005	1	Console Board - Upper
-	AK39-00020-0002	1	Resistor Assembly
-	AK39-00066-0000	1	Accessory Assembly
-	AK39-00027-0006	1	Extrusion Seat Assembly
-	0017-00042-1055	2	Hardware: Plastic Grommet
-	0017-00101-1750	2	Hardware: Screw 0.75"
-	OK51-01039-0001	1	Decal
-	OK51-01061-0001	1	Stop Bracket
-	AK39-00027-0002	1	Extrusion Seat Assembly
-	OK39-01040-0004	1	Endcap

General Assembly



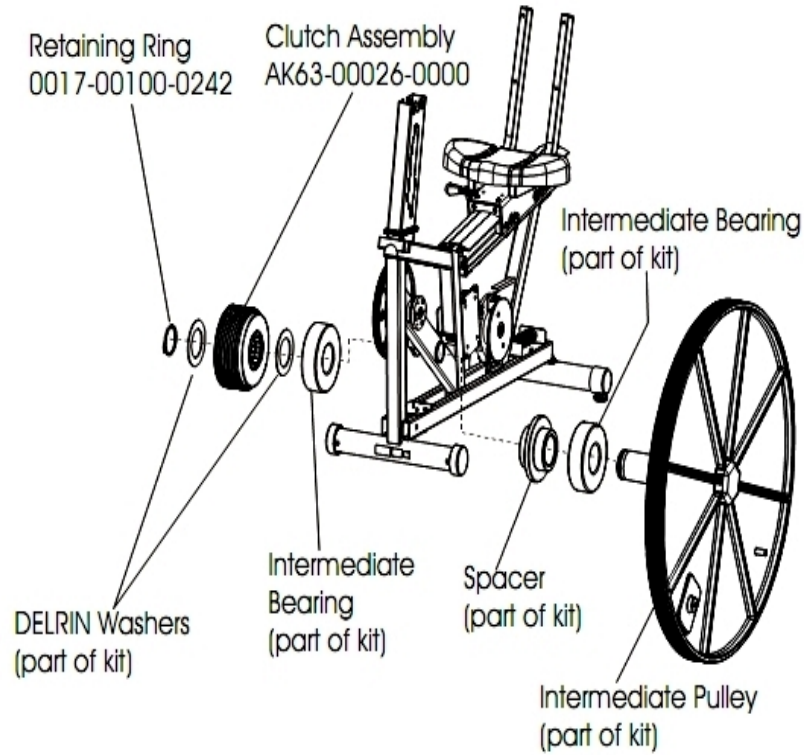
Ref #	Part Number	Qty	Description
-	GK39-00002-0008	1	Hardware Bag
-	GK63-00002-0003	1	C-SAFE Network Kit

Idler Bracket Assembly



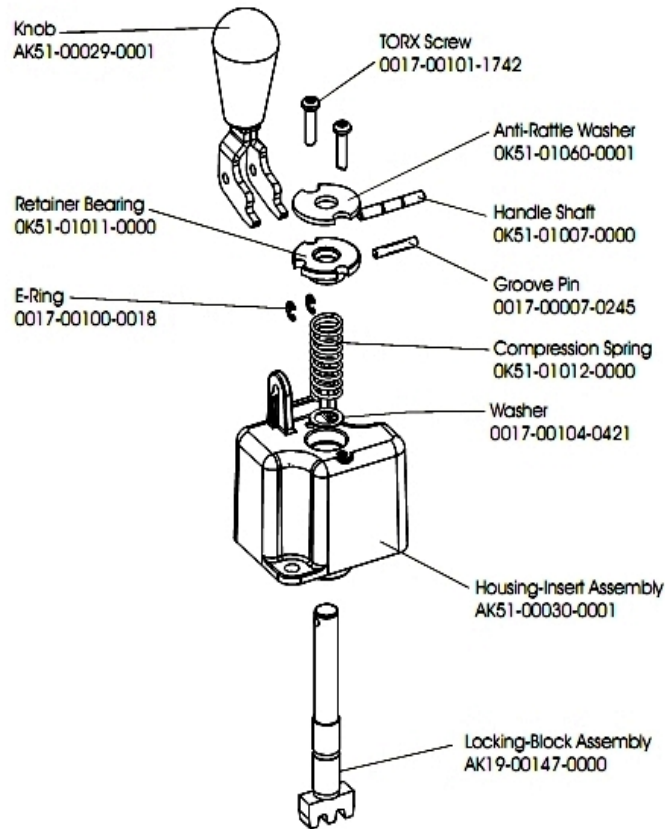
Ref #	Part Number	Qty	Description
-	AK63-00008-0000	1	Idler w/Bearing
-	OK63-01050-0000	1	Idler Bracket
-	AK63-00021-0000	1	Idler Bracket Assembly
-	0017-00103-0218	1	Hardware: Lock Nut 3/8" ID

Intermediate Shaft and Bearing Assembly



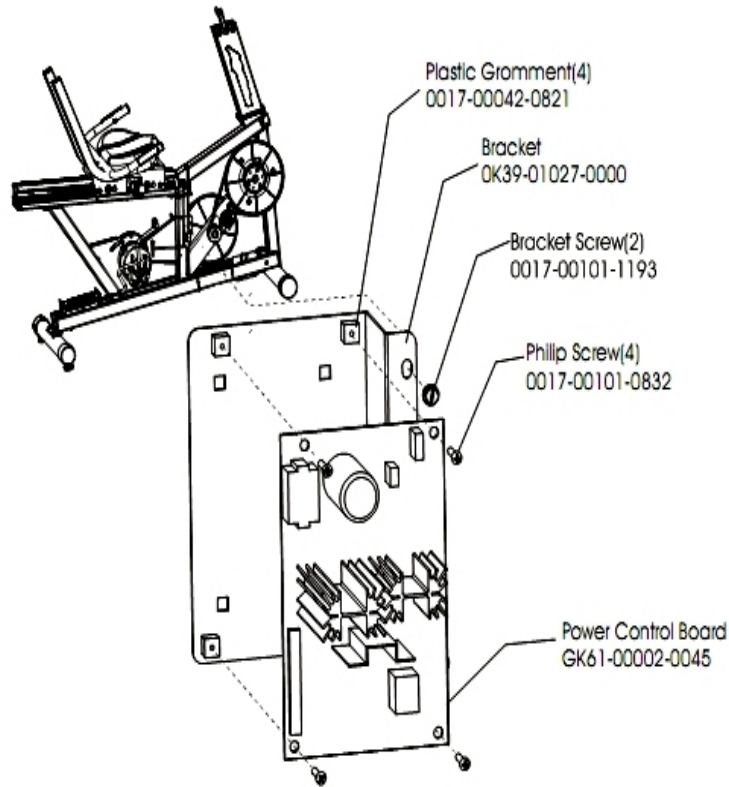
Ref #	Part Number	Qty	Description
-	0017-00100-0242	1	Hardware: Retaining Ring .781"
-	GK63-00002-0007	1	Intermediate Shaft and Bearing Assembly
-	GK63-00002-0079	1	Kit: Upright/Rec Belt And Pulley

Locking Assembly



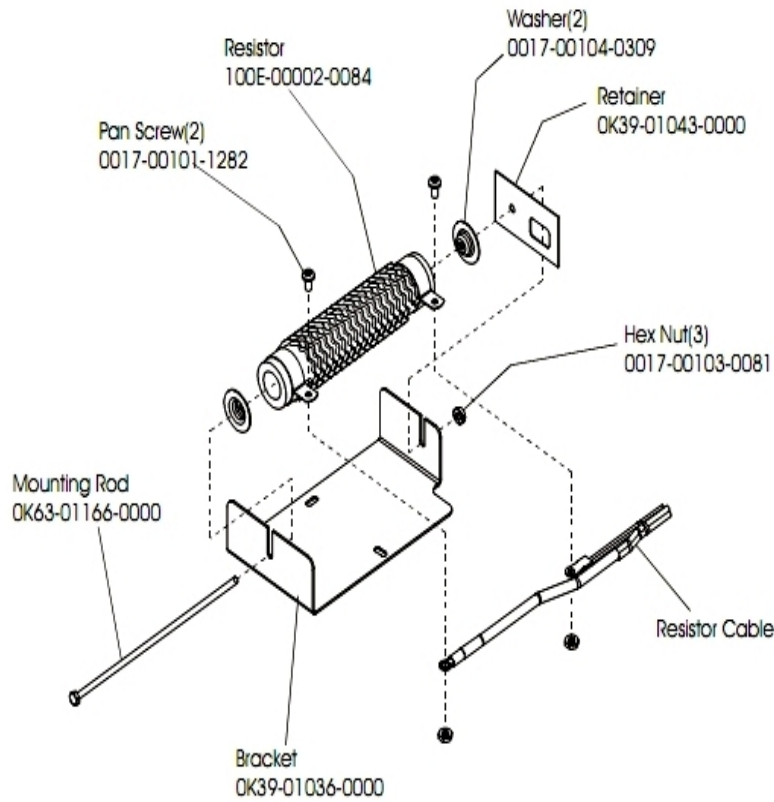
Ref #	Part Number	Qty	Description
-	0017-00007-0245	1	Hardware: Groove Pin 5/32" D 1.75" L
-	AK51-00053-0001	1	Lock Assembly
-	0017-00101-1742	2	Hardware: TORX Screw 0.75"
-	AK19-00147-0000	1	Locking-Block Assembly
-	AK51-00030-0001	1	Housing-Insert Assembly
-	OK51-01060-0001	1	Hardware: Anti-Rattle Washer
-	0017-00100-0018	2	Hardware: E-Ring .188"
-	0017-00104-0421	1	Hardware: Flat Washer 0.64" OD
-	AK51-00029-0001	1	Knob
-	OK51-01007-0000	1	Handle Shaft
-	OK51-01012-0000	1	Compression Spring
-	OK51-01011-0000	1	Hardware: Retainer Bearing

Power Control Board



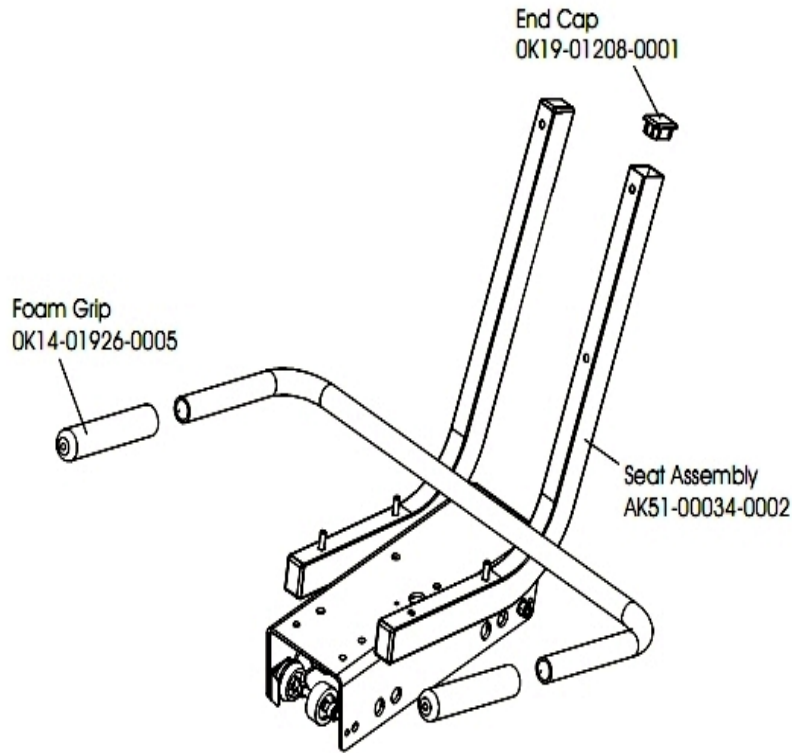
Ref #	Part Number	Qty	Description
-	0017-00042-0821	4	Hardware: Plastic Grommet
-	OK39-01027-0000	1	PCB Bracket
-	GK61-00002-0045	1	Power Control Board
-	0017-00101-0832	4	Hardware: Mounting Bolt. 1"

Resistor Assembly



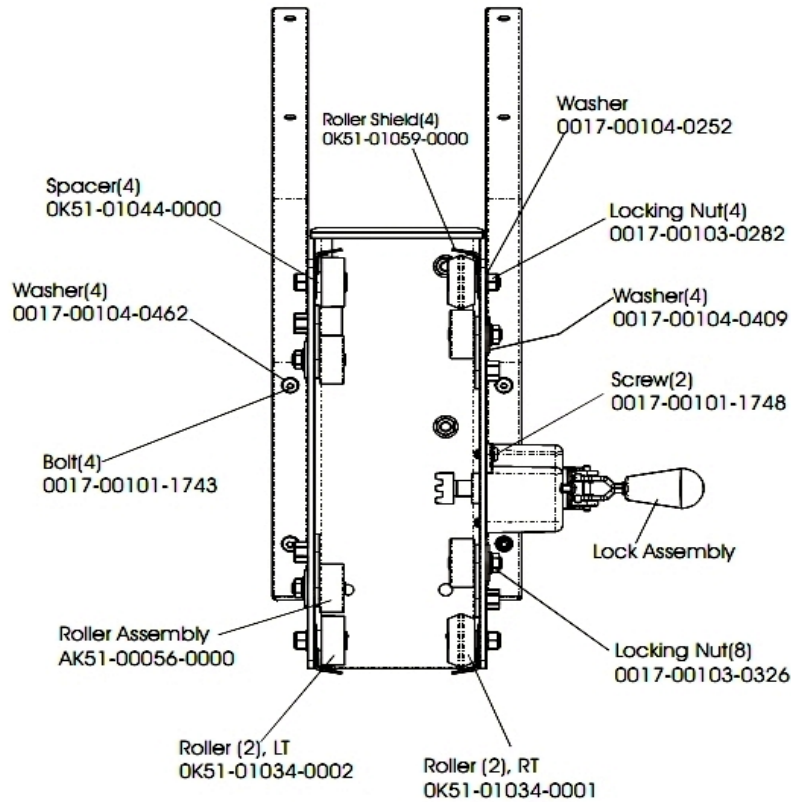
Ref #	Part Number	Qty	Description
-	0017-00103-0081	3	Hardware: Hex Nut ID
-	0017-00101-1282	2	Hardware: TORX Screw 0.375"
-	0017-00104-0309	2	Hardware: Washer 1.12" OD
-	100E-00002-0084	1	Resistor
-	OK39-01043-0000	1	Resistor Retainer
-	OK39-01036-0000	1	Resistor Bracket
-	OK63-01166-0000	1	Resistor Mounting Rod

Seat Assembly



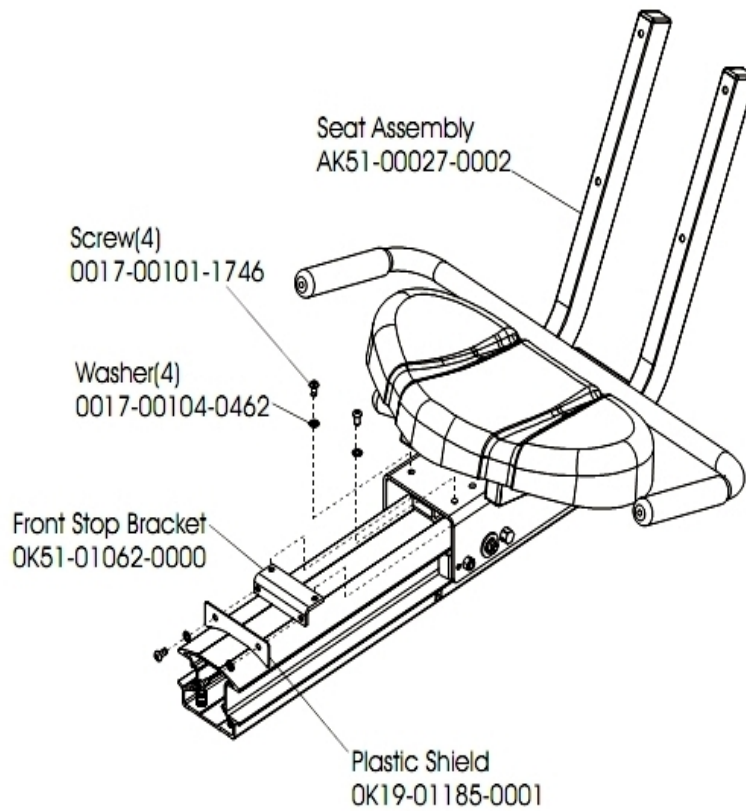
Ref #	Part Number	Qty	Description
-	OK14-01926-0005	2	Foam Grip
-	AK51-00034-0002	2	Seat Assembly
-	OK19-01208-0001	2	End Cap

Seat Bottom Assembly



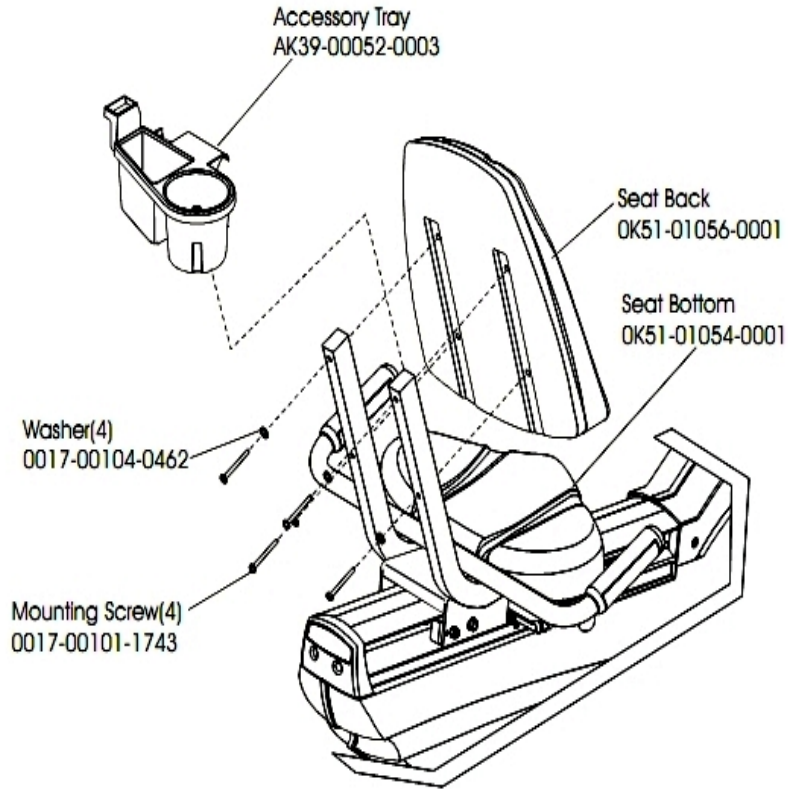
Ref #	Part Number	Qty	Description
-	0017-00104-0252	1	Hardware: Washer
-	AK51-00056-0000	1	Roller Assembly
-	0017-00101-1748	2	Hardware: Screw 0.5"
-	OK51-01034-0002	2	Seat Roller: Left
-	OK51-01034-0001	2	Seat Roller: Right
-	0017-00101-1743	4	Hardware: Mounting Screw 2.25"
-	0017-00104-0462	4	Hardware: Flat Washer 0.478" OD
-	0017-00103-0282	4	Hardware: Locking Nut 5/16" ID
-	0017-00104-0409	4	Hardware: Washer 1.125" OD
-	OK51-01044-0000	4	Roller Spacer
-	OK51-01059-0000	4	Roller Guard
-	0017-00103-0326	8	Hardware: Locking Nut 5/16" ID

Seat Frame Assembly



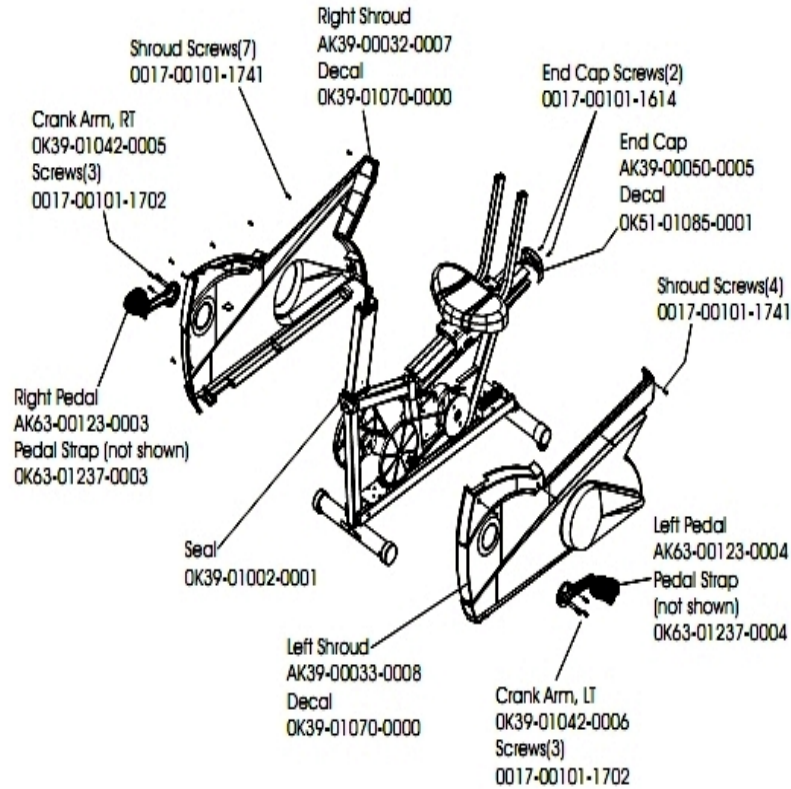
Ref #	Part Number	Qty	Description
-	OK19-01185-0001	1	Plastic Shield
-	AK51-00027-0002	1	Seat Assembly
-	0017-00101-1746	4	Hardware: Console Support Cap Screw
-	OK51-01062-0000	1	Front Stop Bracket
-	0017-00104-0462	4	Hardware: Flat Washer 0.478" OD

Seat Pads and Accessory Tray



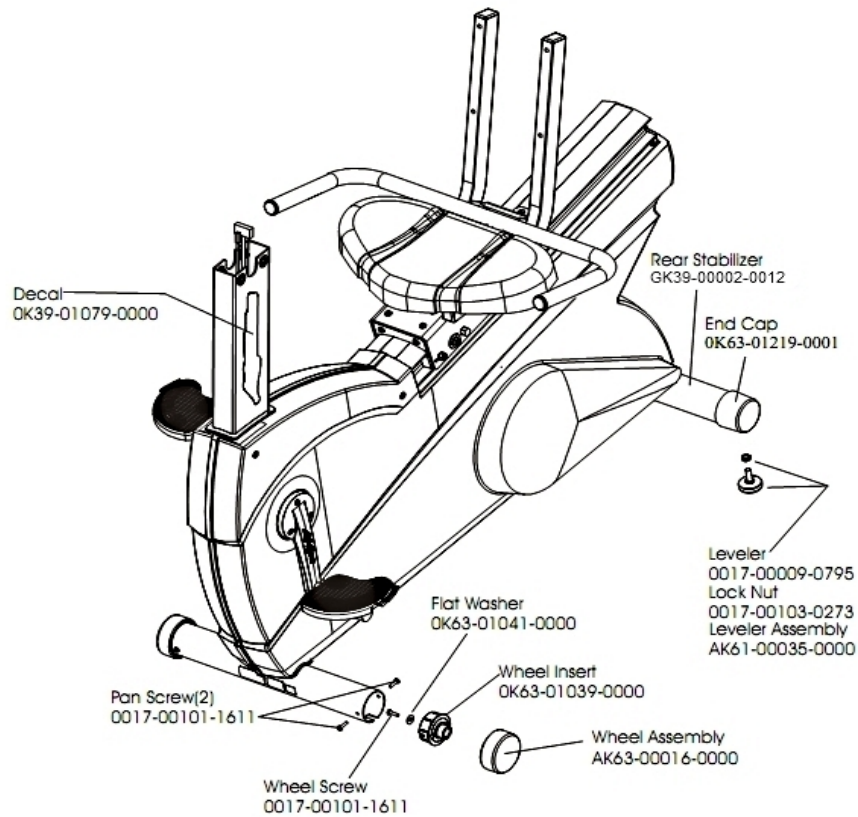
Ref #	Part Number	Qty	Description
-	0017-00101-1743	4	Hardware: Mounting Screw 2.25"
-	OK51-01054-0001	1	Seat Bottom
-	AK39-00052-0003	1	Accessory Tray
-	0017-00104-0462	4	Hardware: Flat Washer 0.478" OD
-	OK51-01056-0001	1	Seat Back

Shrouds, End Caps and Crank Arm



Ref #	Part Number	Qty	Description
-	AK39-00032-0007	1	Shroud with Decal - Right
-	OK63-01237-0004	1	Left Pedal Strap
-	OK39-01042-0006	1	Crank Arm Left
-	AK39-00033-0008	1	Shroud with Decal - Left
-	OK51-01085-0001	1	Decal
-	AK63-00123-0004	1	Left Pedal
-	OK63-01237-0003	1	Right Pedal Strap
-	OK39-01002-0001	1	Gasket
-	OK39-01070-0000	2	Decal
-	0017-00101-1741	11	Hardware: Screw
-	AK63-00123-0003	1	Right Pedal
-	AK39-00050-0005	1	End Cap
-	OK39-01042-0005	1	Crank Arm Right
-	0017-00101-1702	6	Hardware: Screw
-	0017-00101-1614	2	Hardware: Screw 0.625"

Wheel and Leveler



Ref #	Part Number	Qty	Description
-	OK63-01041-0000	2	Hardware: Flat Washer
-	AK61-00035-0000	2	Leg Leveler
-	0017-00009-0795	2	Leg Leveler
-	0017-00101-1611	6	Hardware: Insert Screw
-	GK39-0002-0012	1	Rear Stabilizer
-	AK63-00016-0000	2	Wheel/Bearing Assembly
-	0017-00103-0273	2	Hardware: Hex Nut 3/8" ID
-	OK63-01219-0001	1	End Cap
-	OK63-01039-0000	2	Wheel Insert
-	OK39-01079-0000	2	Decal

