

93S Stairclimber

93S-0100-01

Parts Manual

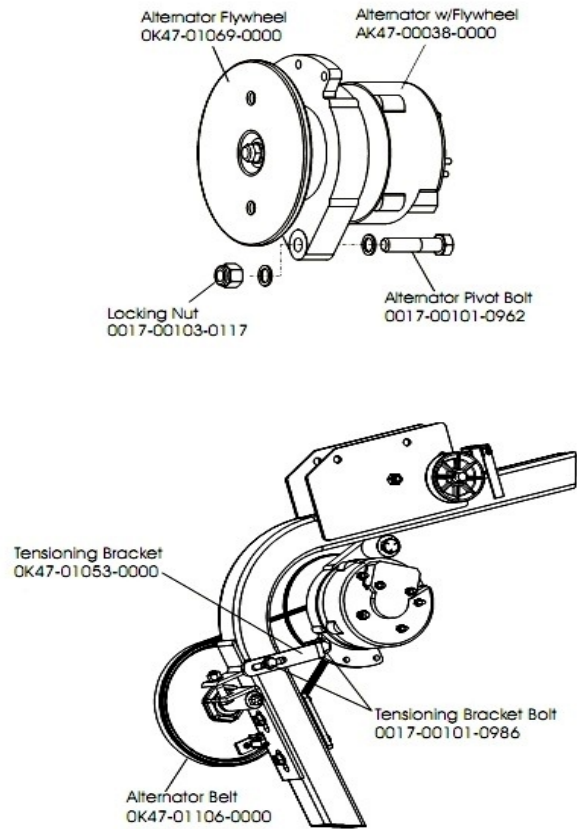
1/5/2019 7:51:17 AM



Table of Contents

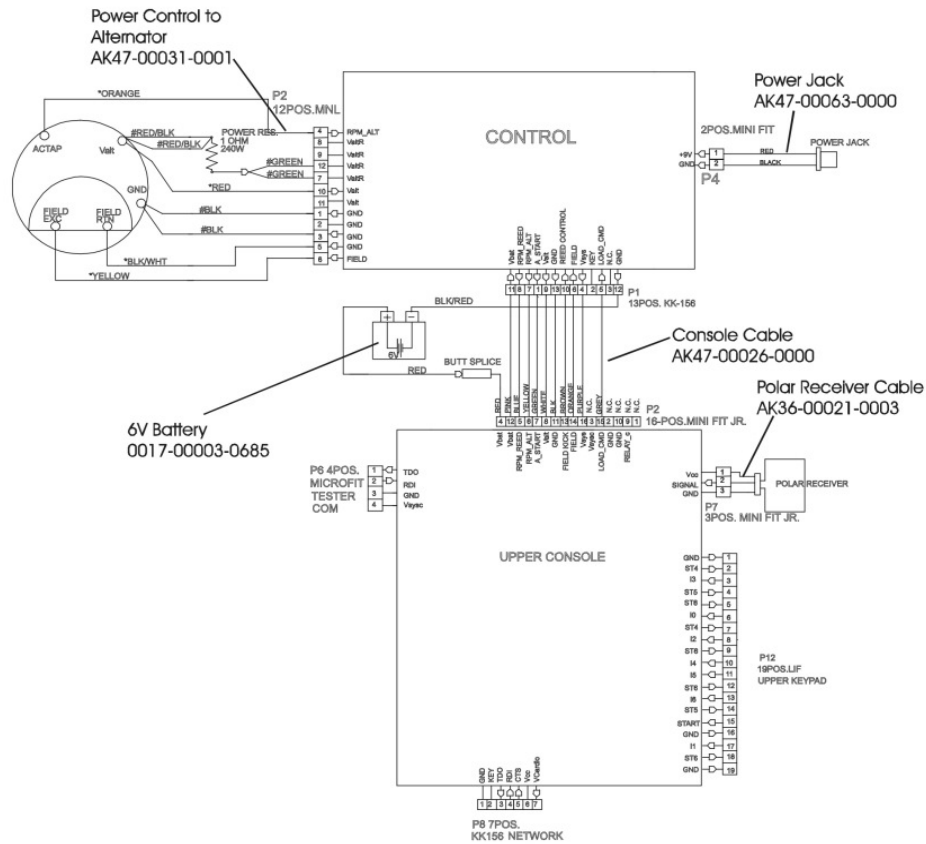
Alternator Assembly	3
Cables	4
Clutch Assembly - Lt.	5
Console Overlay Bezel Assembly	6
Crossover Pulley Assembly	7
Frame Assembly	8
General Assembly	9
Guide Rollers	10
Main Drive Pulley and Clutch	11
Pedal Assembly	12
Polar Receiver Assembly	14
PCB and Resistor	15
Shrouds and Pedal Tube	16

Alternator Assembly



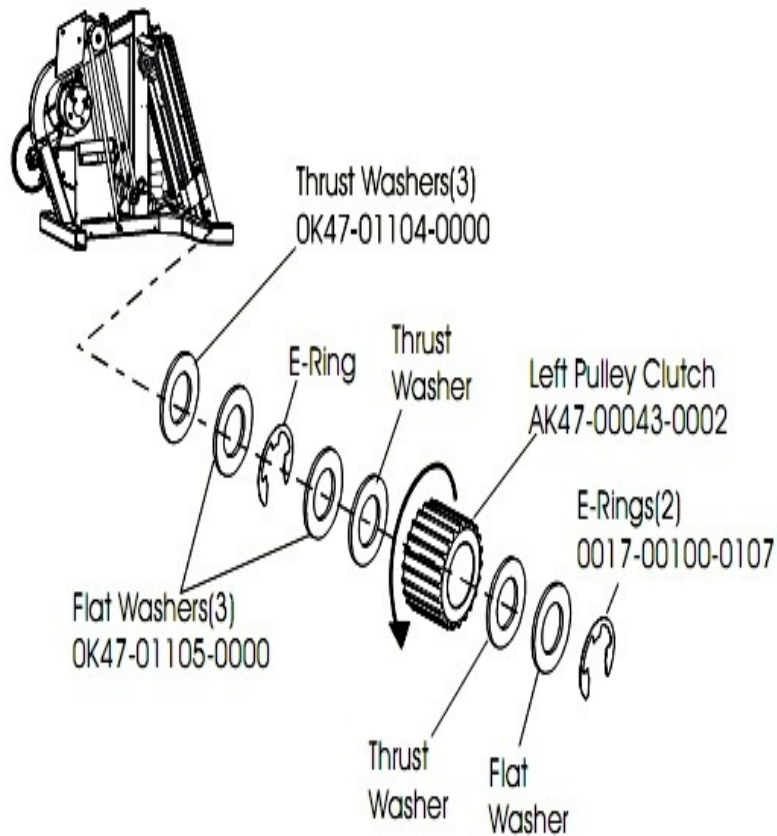
Ref #	Part Number	Qty	Description
-	0017-00101-0986	2	Hardware: Bolt 0.75"
-	0017-00103-0117	2	Hardware: Locking Nut 1/2" ID
-	0017-00101-0962	2	Hardware: Alternator Pivot Bolt 3.5"
-	OK47-01230-0000	2	FLYWHEEL
-	OK47-01053-0000	2	Tensioning Bracket
-	OK47-01229-0000	2	BELT: POLY-V; 320J6; 32.00 IN.
-	AK47-00038-0000	2	Alternator with Flywheel

Cables



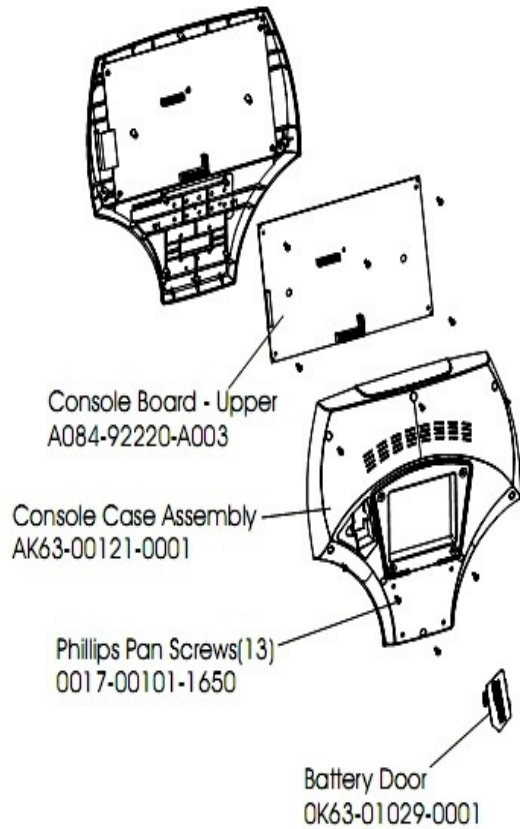
Ref #	Part Number	Qty	Description
-	118E-00001-0267	4	Power Supply: External; 9V; 3 AMP
-	0017-00003-0704	2	Line Cord 10A 125 V
-	0017-00003-0685	2	6V Battery
-	AK47-00026-0000	2	Upper Console Cable
-	AK47-00063-0000	2	DC Power Cable
-	AK47-00031-0001	2	Power Control Cable
-	AK36-00021-0003	2	Cable Assembly

Clutch Assembly - Lt



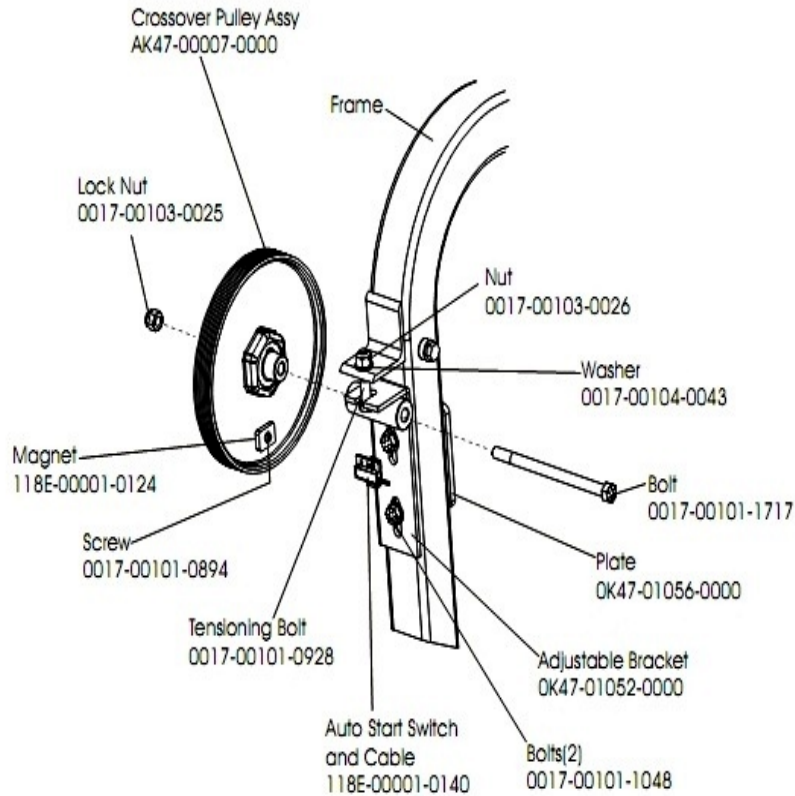
Ref #	Part Number	Qty	Description
-	0017-00100-0107	4	Hardware: E-Ring 1"
-	AK47-00043-0002	2	Left Clutch Sprocket Assembly
-	OK47-01105-0000	6	Hardware: Hardened Thrust Washer

Console Overlay Bezel Assembly



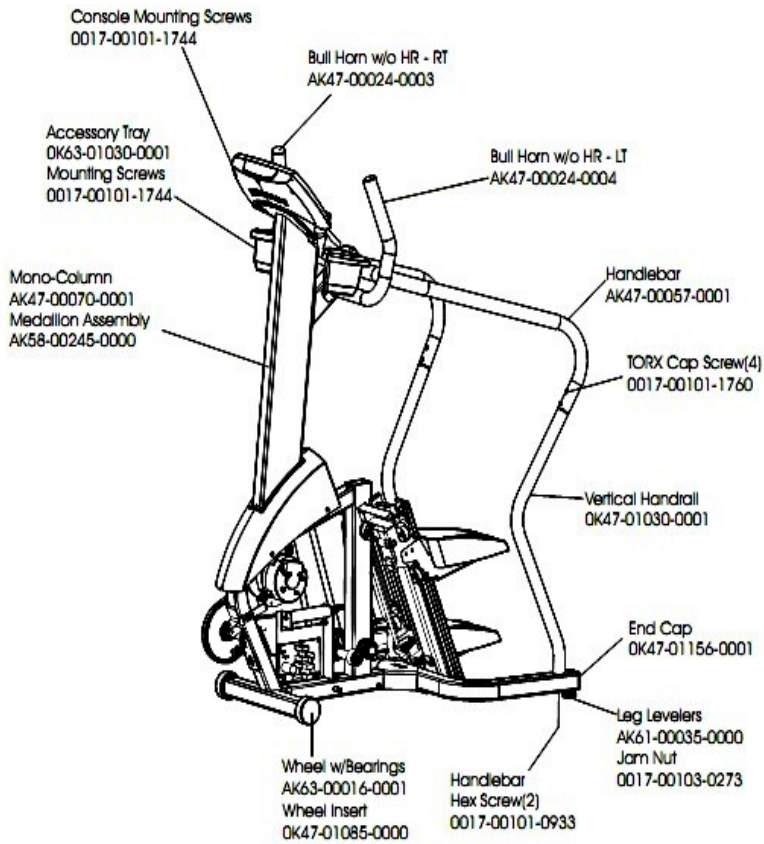
Ref #	Part Number	Qty	Description
-	AK63-00121-0001	2	Console Case Assembly
-	AK47-00099-0007	1	Overlay/Bezel/Switch Assembly French/Metric
-	AK47-00099-0001	1	Overlay/Bezel/Switch Assembly English/Metric
-	AK47-00095-0007	1	Console Assembly French/Metric
-	A084-92220-A003	2	Console Board - Upper
-	OK63-01029-0001	2	Battery Door
-	0017-00101-1650	26	Hardware: Phillips Pan Screw 0.375"
-	AK47-00095-0001	1	Console Assembly English/Metric

Crossover Pulley Assembly



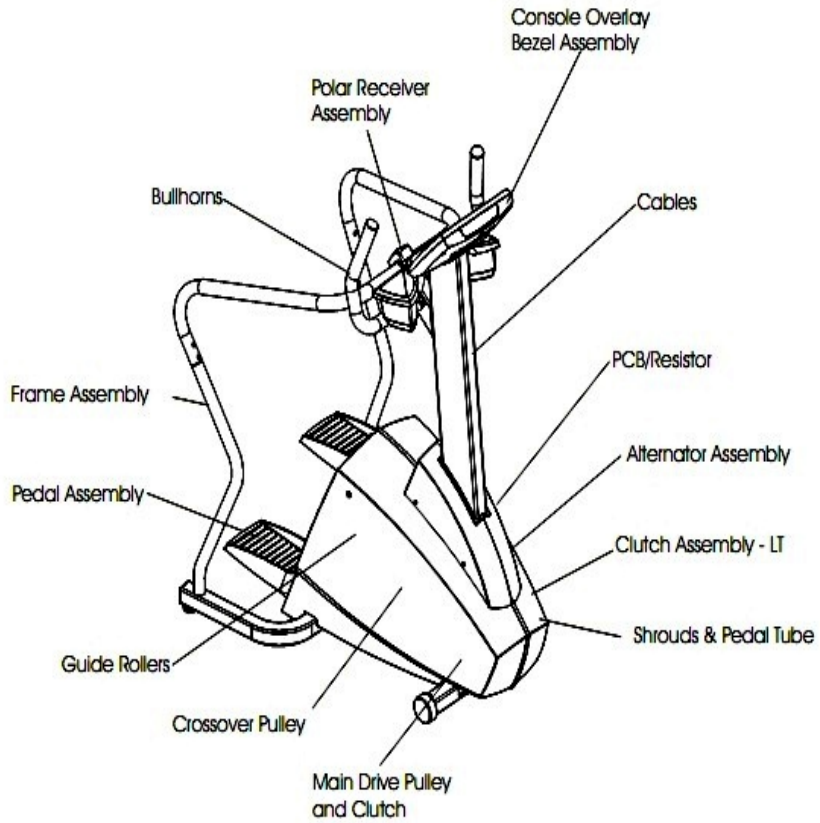
Ref #	Part Number	Qty	Description
-	AK47-00007-0000	2	Crossover Pulley Assembly
-	118E-00001-0140	2	Reed Switch SPDT
-	0017-00103-0025	2	Hardware: Locking Nut 3/8" ID
-	OK47-01052-0000	2	Intermediate Pulley Bracket
-	0017-00103-0026	2	Hardware: Hex Nut 3/8" ID
-	OK47-01056-0000	2	Plate
-	0017-00101-0894	2	Hardware: Screw
-	118E-00001-0124	2	Auto-Start Magnet
-	0017-00101-1717	2	Hardware: Bolt 6"
-	0017-00101-0928	2	Hardware: Tensioning Bolt 1.75"
-	0017-00101-1048	4	Hardware: Bolt 3"
-	0017-00104-0043	2	Hardware: Flat Washer 0.734" OD

Frame Assembly



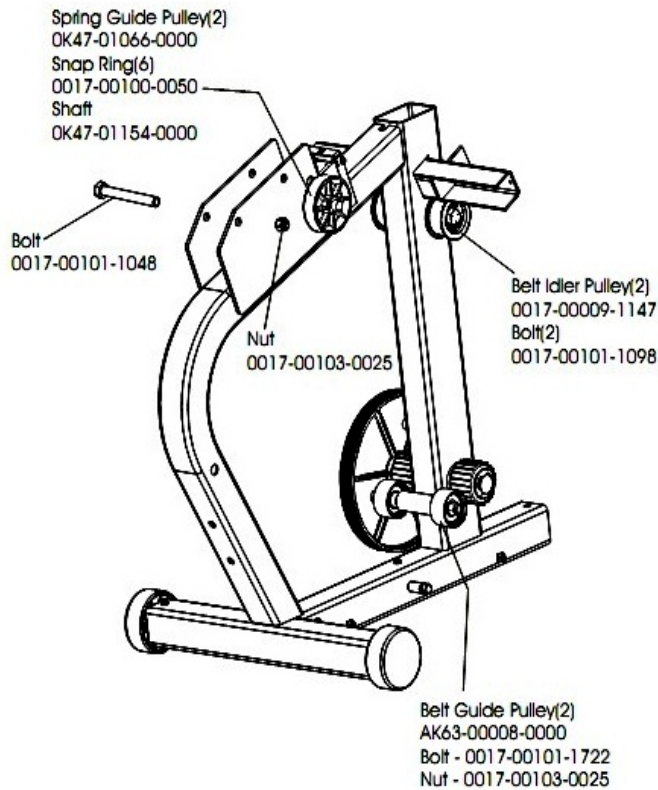
Ref #	Part Number	Qty	Description
-	OK47-01085-0000	4	Wheel Insert
-	OK47-01030-0002	2	Vertical Handrail
-	AK63-00016-0001	4	Wheel/Bearing Assembly
-	AK47-00024-0003	2	Bullhorn without HR - Right
-	AK47-00070-0001	2	Mono-Column
-	AK47-00198-0000	2	Handle Bar
-	AK58-00245-0000	2	Bug Medallion
-	OK47-01156-0001	4	End Cap
-	0017-00101-0933	8	Hardware: Handlebar Hex Screws 1.5"
-	0017-00101-1760	16	Hardware: TORX Cap Screw 0.625"
-	AK47-00024-0004	2	Bullhorn with out HR - Left
-	0017-00101-1744	20	Hardware: Phillips Pan Screw
-	0017-00103-0273	4	Hardware: Hex Nut 3/8" ID
-	OK63-01030-0001	2	Accessory Tray
-	AK61-00035-0000	4	Leg Leveler

General Assembly



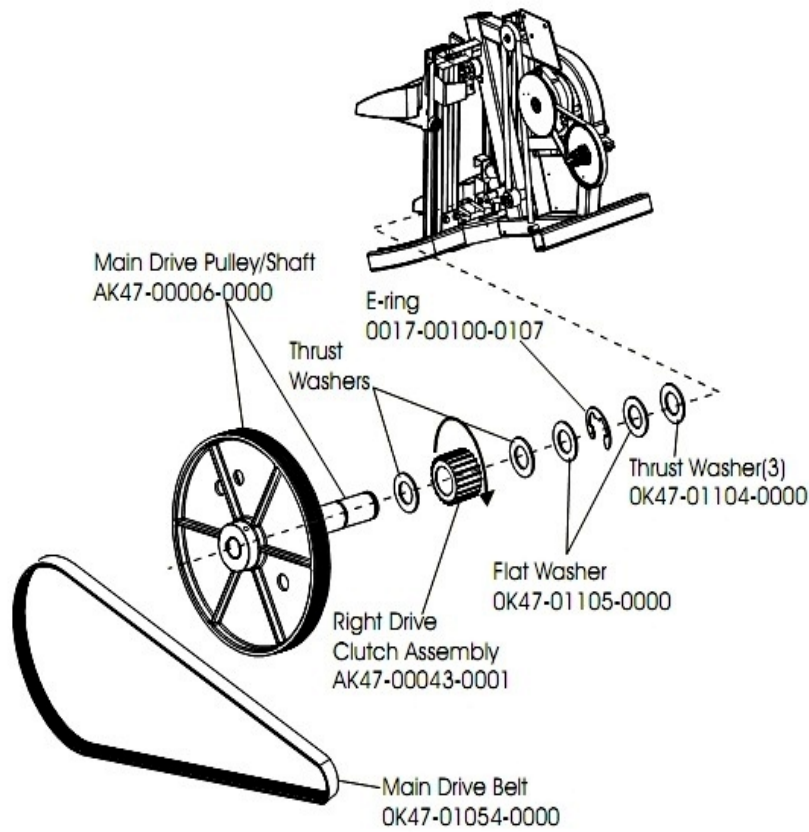
Ref #	Part Number	Qty	Description
-	AK47-00106-0000	2	Hardware Bag
-	GK63-00002-0003	2	C-SAFE Network Kit
-	AK47-00154-0002	2	Belt/Spring Assembly

Guide Rollers



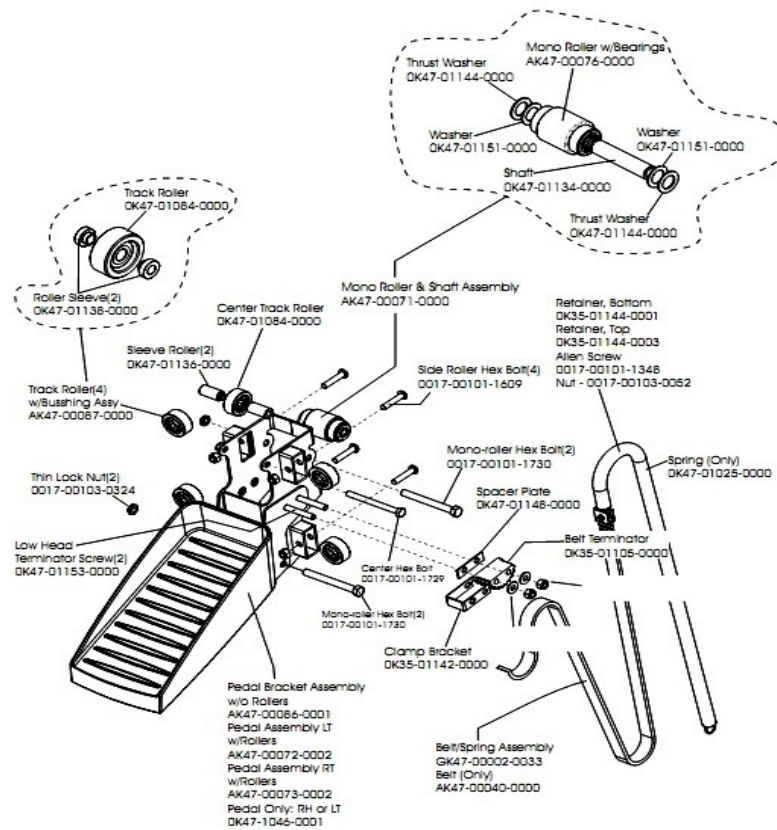
Ref #	Part Number	Qty	Description
-	0K47-01066-0000	4	Return Spring Pulley
-	0017-00101-1048	2	Hardware: Bolt 3"
-	0017-00103-0025	4	Hardware: Locking Nut 3/8" ID
-	AK63-00008-0000	4	Idler w/Bearing
-	0K47-01154-0000	2	Spring Pulley Shaft
-	0017-00009-1147	4	Belt Idler Pulley
-	0017-00100-0050	12	Hardware: E-Ring .5"
-	0017-00101-1098	4	Hardware: Bolt 1.5"
-	0017-00101-1722	2	Hardware: Bolt 5"

Main Drive Pulley and Clutch



Ref #	Part Number	Qty	Description
-	AK47-00043-0001	2	Right Clutch Sprocket Assembly
-	OK47-01104-0000	6	Hardware: Thrust Washer
-	OK47-01105-0000	4	Hardware: Hardened Thrust Washer
-	AK47-00006-0000	2	Clutchshaft Pulley Assembly
-	GK47-00002-0036	2	KIT: STEPPER BELT AND PULLEY
-	0017-00100-0107	2	Hardware: E-Ring 1"

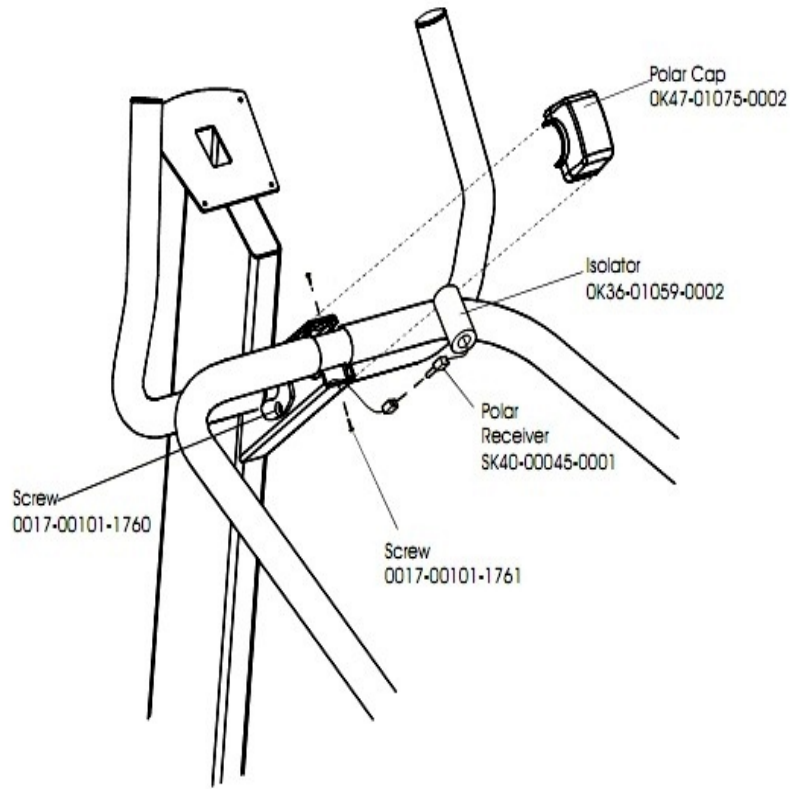
Pedal Assembly



Ref #	Part Number	Qty	Description
-	AK47-00073-0002	2	Pedal Assembly with Rollers - Right
-	AK47-00087-0000	16	Side-Roller with Bushing Assembly
-	OK47-01144-0000	8	Hardware: Thrust Washer
-	OK47-01153-0000	8	Hardware: Screw
-	OK47-01136-0000	8	Roller Sleeve
-	OK47-01138-0000	8	Roller Sleeve
-	OK35-01144-0003	4	Retainer: Belt; Top
-	OK35-01105-0000	4	Hardware: Belt Terminator
-	0017-00103-0324	8	Hardware: Thin Lock Nut 3/8" ID
-	AK47-00086-0001	4	Pedal Bracket Assembly without Rollers
-	0017-00101-1348	4	Hardware: Allen Screw 0.875"
-	OK47-01134-0000	4	Roller Shaft
-	AK47-00071-0000	8	Mono Roller and Shaft Assembly
-	OK47-01151-0000	8	Hardware: Hardened Thrust Washer
-	OK47-01046-0001	4	Pedal Only: RH or LT
-	OK47-01025-0001	4	SPRING: PEDAL; RETURN B
-	0017-00101-1609	16	Hardware: Side Roller Hex Bolt 1.5"
-	0017-00101-1729	4	Hardware: Center Hex Bolt 3.5"
-	0017-00101-1730	16	Hardware: Mono-roller Hex Bolt 3.5"
-	0017-00103-0052	4	Hardware: Locking Nut ID
-	AK47-00040-0000	4	Timing Belt
-	AK47-00072-0002	2	Pedal Assembly with Rollers - Left

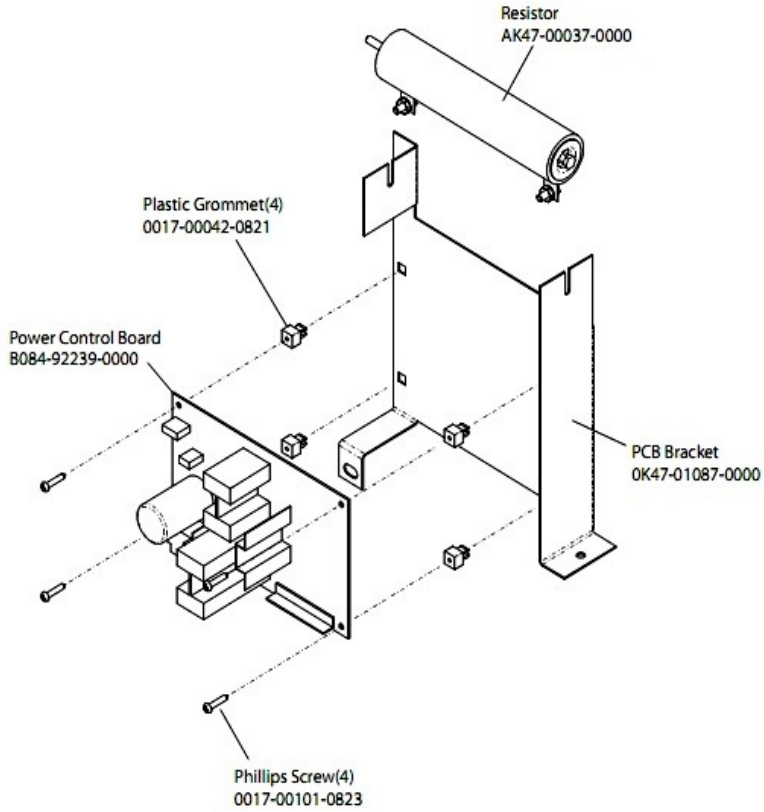
Ref #	Part Number	Qty	Description
-	AK47-00154-0002	4	Belt/Spring Assembly
-	OK47-01148-0000	4	Hardware: Spacer Plate
-	OK47-01084-0000	8	Side Track Roller
-	AK47-00076-0000	4	Mono-Rollers w/Bearings
-	OK35-01142-0000	4	Hardware: Bracket
-	OK35-01144-0001	4	Retainer: Belt; Bottom

Polar Receiver Assembly



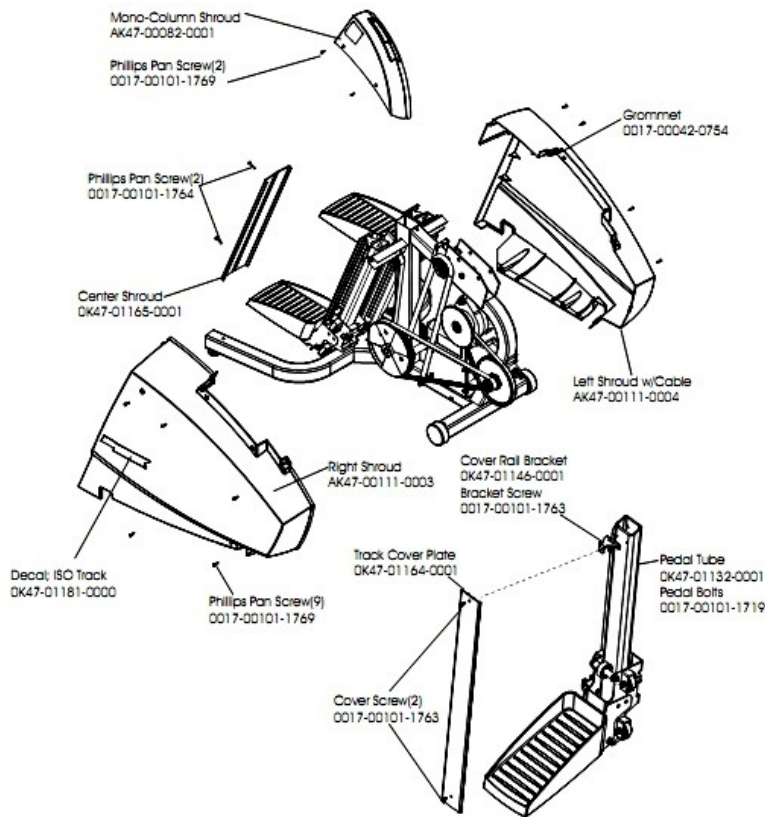
Ref #	Part Number	Qty	Description
-	OK47-01075-0001	2	Cap: Polar; Stealth; S/C-C
-	0017-00101-1761	4	Hardware: Phillips Pan Screw 0.375"
-	OK36-01059-0002	2	Insulator Receiver Tube
-	SK40-00045-0001	2	Polar HR Kit
-	0017-00101-1760	2	Hardware: TORX Cap Screw 0.625"

PCB and Resistor



Ref #	Part Number	Qty	Description
-	0017-00101-0823	8	Hardware: Screw 0.75"
-	OK47-01087-0000	2	PCB Bracket
-	AK47-00037-0000	2	Resistor Assembly
-	0017-00042-0821	8	Hardware: Plastic Grommet
-	B084-92239-0000	2	PCB

Shrouds and Pedal Tube



Ref #	Part Number	Qty	Description
-	AK47-00111-0004	2	Shroud with Decal and Cable- Left
-	OK47-01146-0001	4	Track Cover Bracket
-	OK47-01181-0000	4	Decal
-	AK47-00111-0003	2	Shroud with Decal - Right
-	0017-00101-1764	4	Hardware: Phillips Pan Screw 1"
-	0017-00101-1719	4	Hardware: Pedal Tube Mounting Bolt 0.75"
-	OK47-01165-0001	2	Center Shroud
-	AK47-00082-0001	2	Mono-Column Shroud
-	0017-00042-0754	16	Hardware: Grommet
-	0017-00101-1769	22	Hardware: Phillips Pan Screw 0.75"
-	0017-00101-1763	10	Hardware: Phillips Pan Screw 0.375"
-	OK47-01132-0001	4	Pedal Tube
-	OK47-01164-0001	2	Track Cover

