

# 93S Stairclimber - Arctic Silver

93S-0100-02

## Parts Manual

1/5/2019 7:51:18 AM

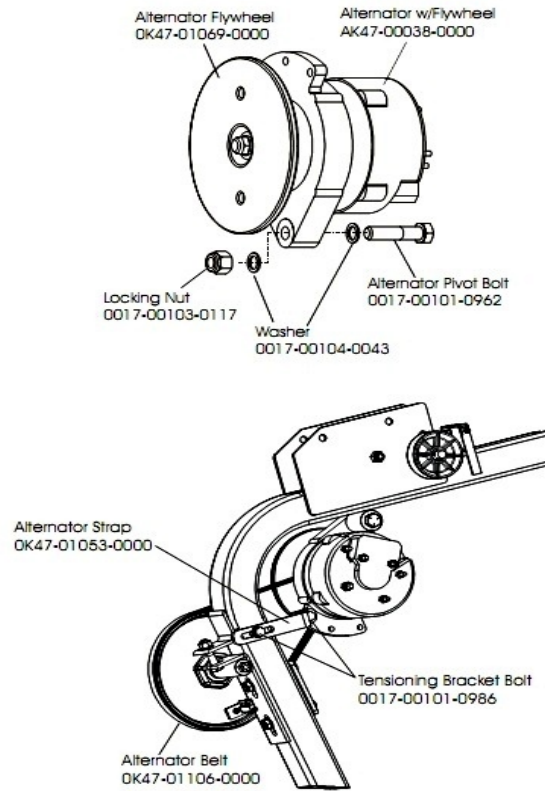


**Table of Contents**

---

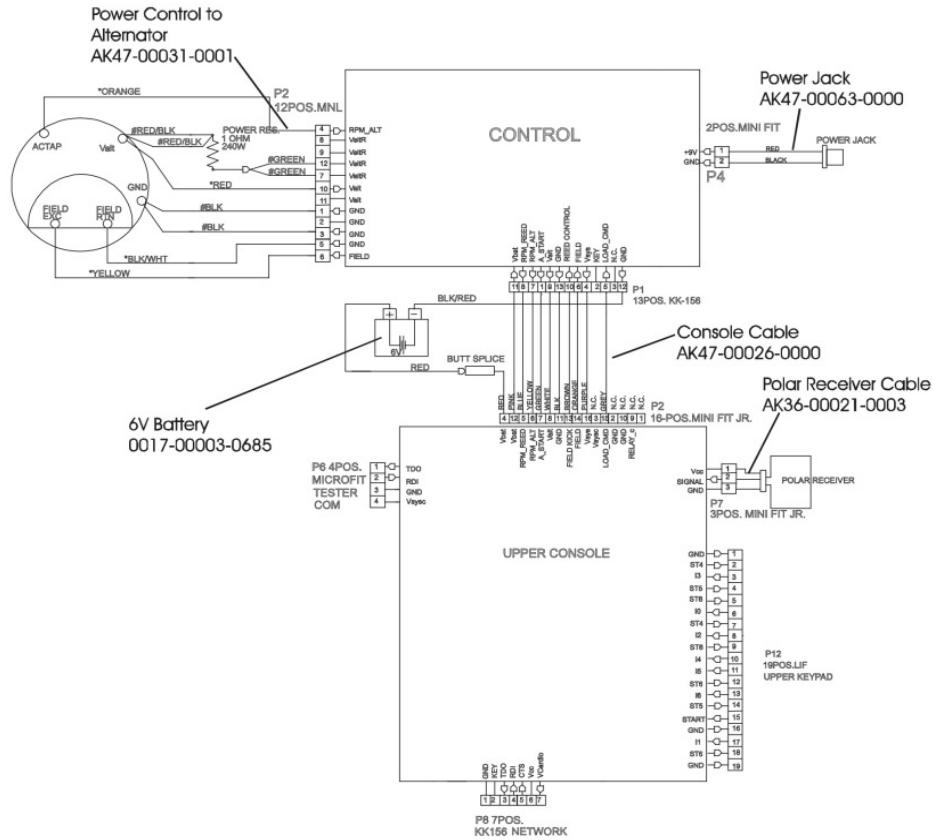
[Alternator Assembly](#).....3  
[Cables](#).....4  
[Clutch, Shaft and Pulley Assembly](#).....5  
[Console Overlay Bezel Assembly](#).....6  
[Crossover Pulley Assembly](#).....7  
[Frame Components](#).....8  
[Guide Rollers](#).....9  
[Left Clutch Assembly](#).....10  
[Pedal Assembly](#).....11  
[Polar Receiver Assembly](#).....13  
[Power Control Board and Resistor](#).....14  
[References](#).....15  
[Shrouds and Pedal Tube](#).....16

## Alternator Assembly



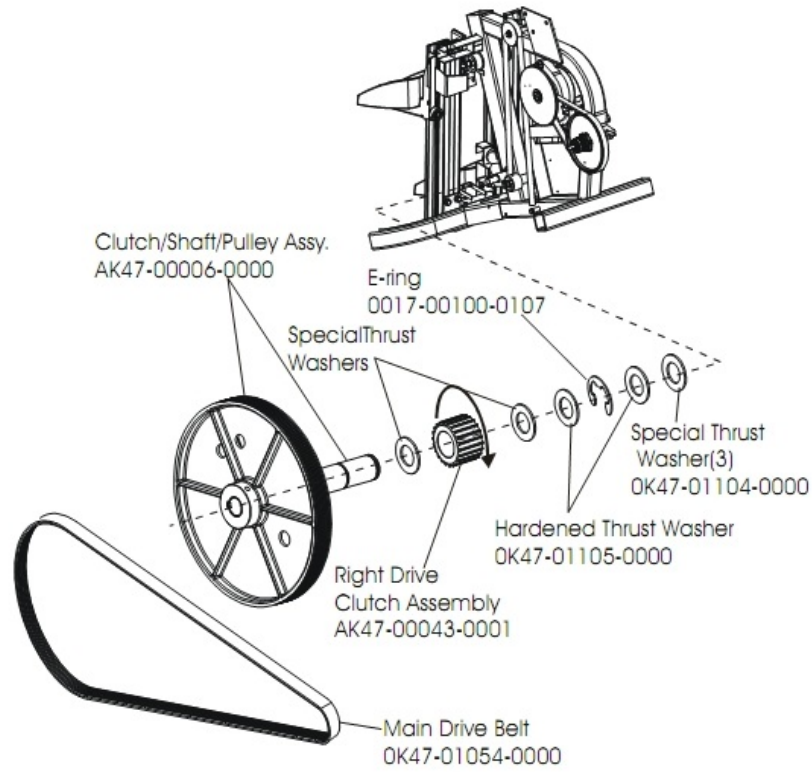
| Ref # | Part Number     | Qty | Description                          |
|-------|-----------------|-----|--------------------------------------|
| -     | 0017-00101-0986 | 1   | Hardware: Bolt 0.75"                 |
| -     | 0017-00103-0117 | 1   | Hardware: Locking Nut 1/2" ID        |
| -     | 0017-00101-0962 | 1   | Hardware: Alternator Pivot Bolt 3.5" |
| -     | OK47-01230-0000 | 1   | FLYWHEEL                             |
| -     | 0017-00104-0043 | 2   | Hardware: Flat Washer 0.734" OD      |
| -     | OK47-01053-0000 | 1   | Tensioning Bracket                   |
| -     | OK47-01229-0000 | 1   | BELT: POLY-V; 320J6; 32.00 IN.       |
| -     | AK47-00038-0000 | 1   | Alternator with Flywheel             |

### Cables



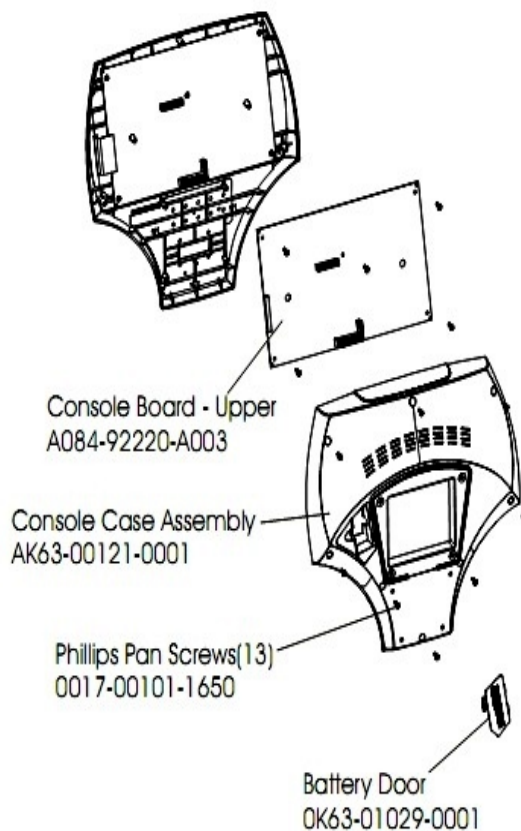
| Ref # | Part Number     | Qty | Description         |
|-------|-----------------|-----|---------------------|
| -     | 0017-00003-0685 | 1   | 6V Battery          |
| -     | AK47-00026-0000 | 1   | Upper Console Cable |
| -     | AK47-00031-0001 | 1   | Power Control Cable |
| -     | AK36-00021-0003 | 1   | Cable Assembly      |
| -     | AK47-00063-0000 | 1   | DC Power Cable      |

## Clutch, Shaft and Pulley Assembly



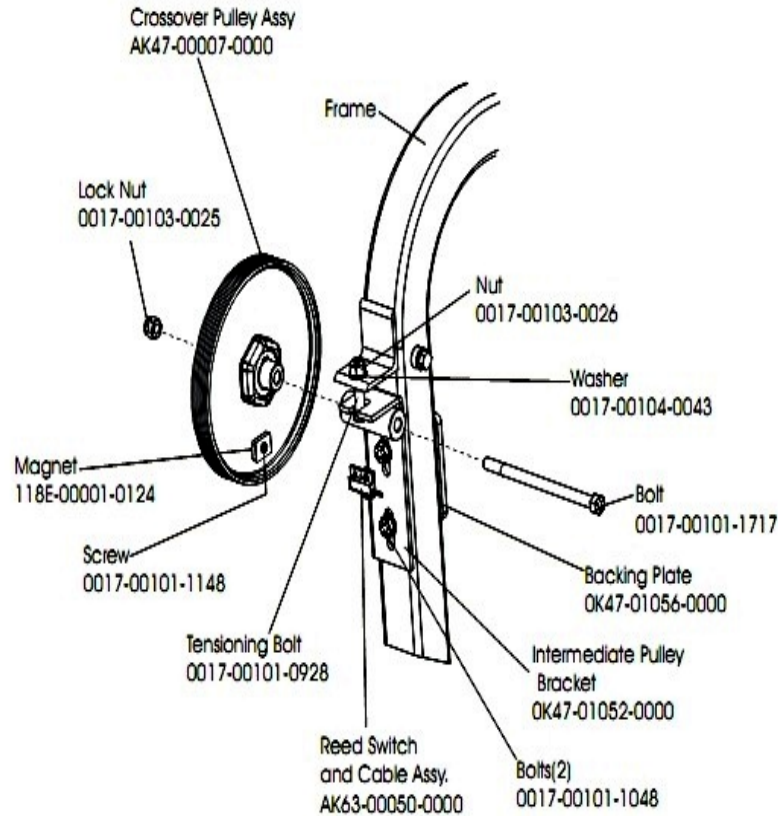
| Ref # | Part Number     | Qty | Description                      |
|-------|-----------------|-----|----------------------------------|
| -     | OK47-01104-0000 | 3   | Hardware: Thrust Washer          |
| -     | 0017-00100-0107 | 1   | Hardware: E-Ring 1"              |
| -     | OK47-01105-0000 | 2   | Hardware: Hardened Thrust Washer |
| -     | GK47-00002-0036 | 1   | KIT: STEPPER BELT AND PULLEY     |
| -     | AK47-00006-0000 | 1   | Clutchshaft Pulley Assembly      |
| -     | AK47-00043-0001 | 1   | Right Clutch Sprocket Assembly   |

## Console Overlay Bezel Assembly



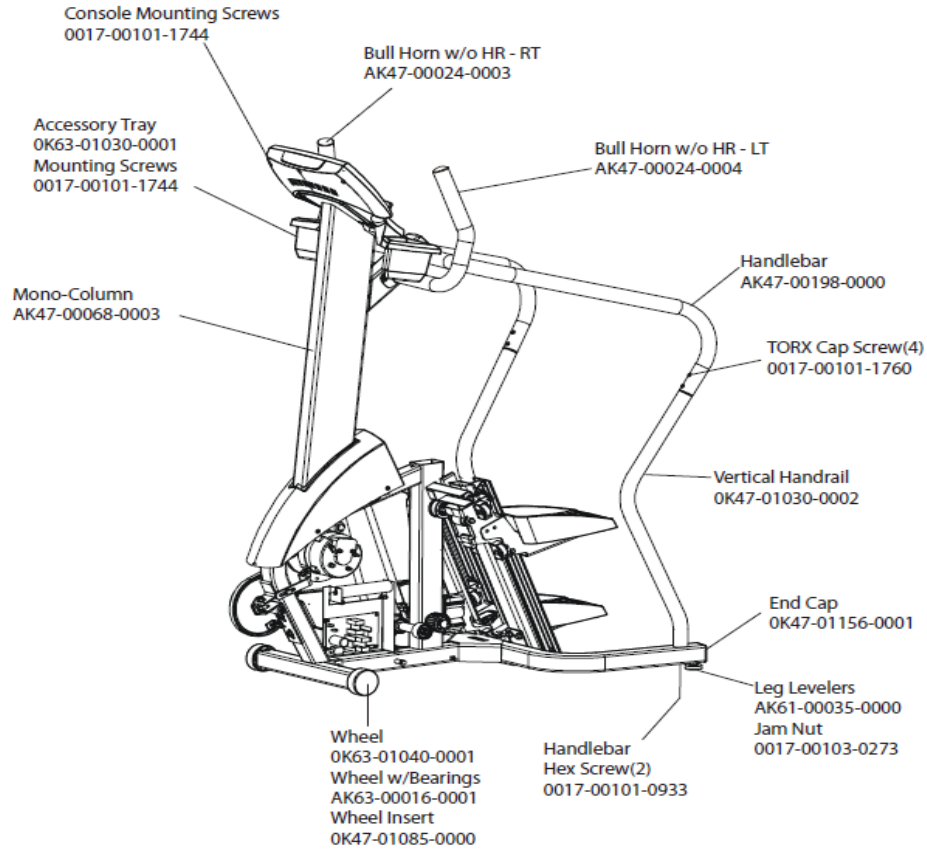
| Ref # | Part Number     | Qty | Description                                  |
|-------|-----------------|-----|--|
| -     | AK47-00095-0001 | 1   | Console Assembly English/Metric              |
| -     | OK63-01029-0001 | 1   | Battery Door                                 |
| -     | 0017-00101-1650 | 13  | Hardware: Phillips Pan Screw 0.375"          |
| -     | A084-92220-A003 | 1   | Console Board - Upper                        |
| -     | AK47-00099-0001 | 1   | Overlay/Bezel/Switch Assembly English/Metric |
| -     | AK63-00121-0001 | 1   | Console Case Assembly                        |

## Crossover Pulley Assembly



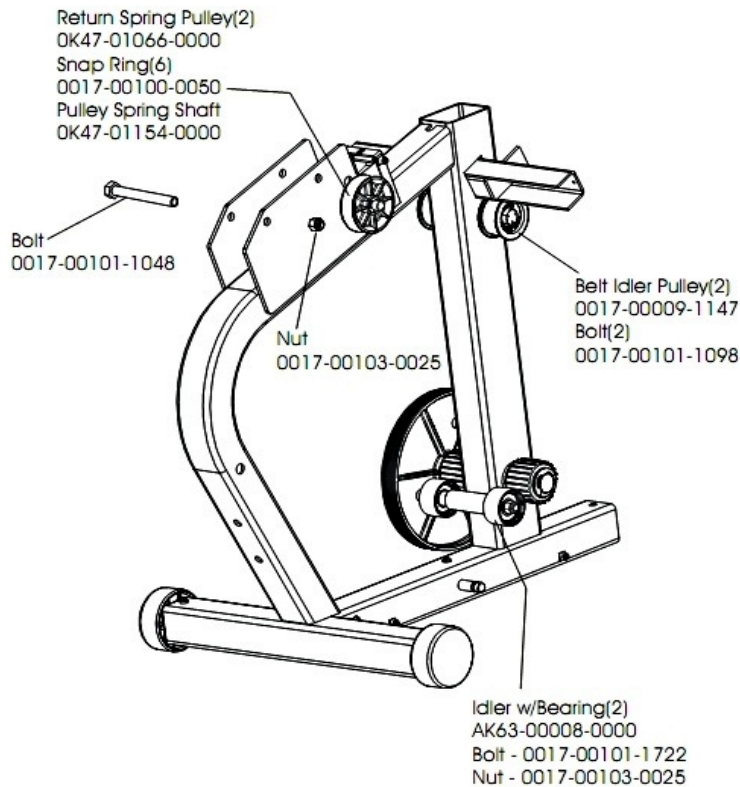
| Ref # | Part Number     | Qty | Description                       |
|-------|-----------------|-----|-----------------------------------|
| -     | 0017-00103-0025 | 1   | Hardware: Locking Nut 3/8" ID     |
| -     | 0017-00101-1148 | 1   | Hardware: Phillips Pan Bolt 0.75" |
| -     | AK63-00050-0000 | 1   | Reed Switch Bracket Assembly      |
| -     | AK47-00007-0000 | 1   | Crossover Pulley Assembly         |
| -     | OK47-01052-0000 | 1   | Intermediate Pulley Bracket       |
| -     | 0017-00103-0026 | 1   | Hardware: Hex Nut 3/8" ID         |
| -     | OK47-01056-0000 | 1   | Plate                             |
| -     | 0017-00101-1717 | 1   | Hardware: Bolt 6"                 |
| -     | 0017-00104-0043 | 1   | Hardware: Flat Washer 0.734" OD   |
| -     | 0017-00101-1048 | 2   | Hardware: Bolt 3"                 |
| -     | 0017-00101-0928 | 1   | Hardware: Tensioning Bolt 1.75"   |
| -     | 118E-00001-0124 | 1   | Auto-Start Magnet                 |

**Frame Components**



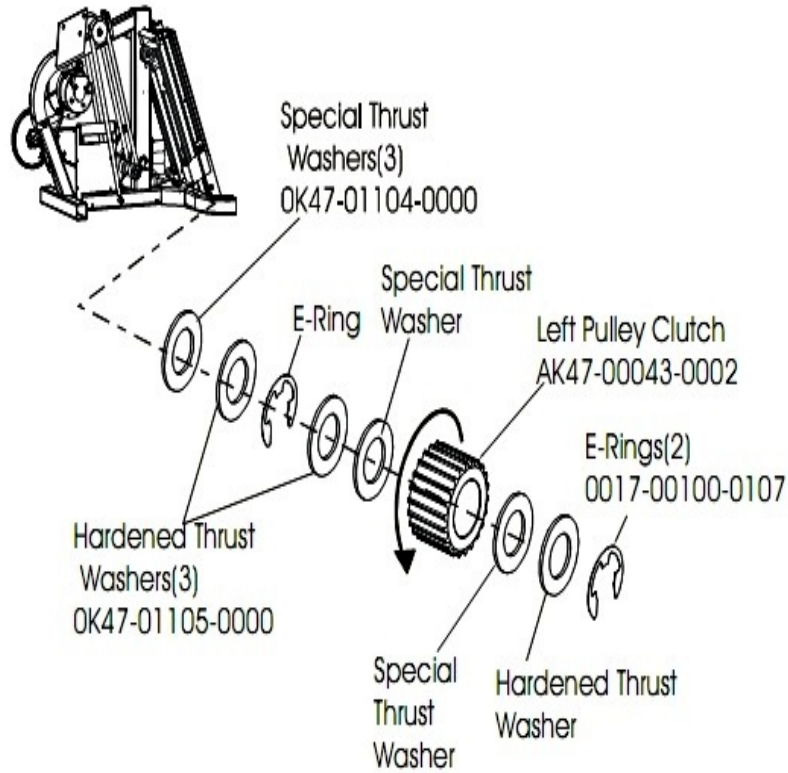
| Ref # | Part Number     | Qty | Description                         |
|-------|-----------------|-----|-------------------------------------|
| -     | OK47-01085-0000 | 2   | Wheel Insert                        |
| -     | AK63-00016-0001 | 4   | Wheel/Bearing Assembly              |
| -     | AK61-00035-0000 | 2   | Leg Leveler                         |
| -     | AK47-00024-0003 | 1   | Bullhorn without HR - Right         |
| -     | AK47-00198-0000 | 1   | Handle Bar                          |
| -     | OK47-01156-0001 | 2   | End Cap                             |
| -     | OK47-01030-0002 | 2   | Vertical Handrail                   |
| -     | AK47-00068-0003 | 1   | Mono-Column                         |
| -     | 0017-00101-1760 | 8   | Hardware: TORX Cap Screw 0.625"     |
| -     | AK47-00024-0004 | 1   | Bullhorn with out HR - Left         |
| -     | 0017-00101-1744 | 10  | Hardware: Phillips Pan Screw        |
| -     | 0017-00103-0273 | 2   | Hardware: Hex Nut 3/8" ID           |
| -     | OK63-01030-0001 | 1   | Accessory Tray                      |
| -     | 0017-00101-0933 | 4   | Hardware: Handlebar Hex Screws 1.5" |

## Guide Rollers



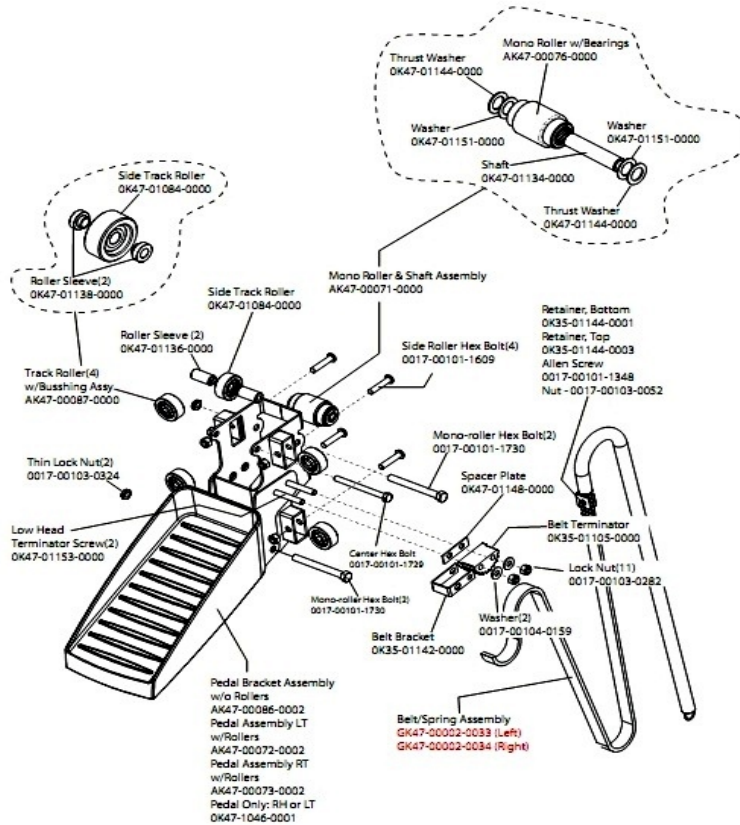
| Ref # | Part Number     | Qty | Description                   |
|-------|-----------------|-----|-------------------------------|
| -     | OK47-01154-0000 | 1   | Spring Pulley Shaft           |
| -     | OK47-01066-0000 | 2   | Return Spring Pulley          |
| -     | 0017-00101-1048 | 1   | Hardware: Bolt 3"             |
| -     | AK63-00008-0000 | 2   | Idler w/Bearing               |
| -     | 0017-00103-0025 | 2   | Hardware: Locking Nut 3/8" ID |
| -     | 0017-00009-1147 | 2   | Belt Idler Pulley             |
| -     | 0017-00100-0050 | 6   | Hardware: E-Ring .5"          |
| -     | 0017-00101-1098 | 2   | Hardware: Bolt 1.5"           |
| -     | 0017-00101-1722 | 1   | Hardware: Bolt 5"             |

## Left Clutch Assembly



| Ref # | Part Number     | Qty | Description                      |
|-------|-----------------|-----|----------------------------------|
| -     | AK47-00043-0002 | 1   | Left Clutch Sprocket Assembly    |
| -     | OK47-01105-0000 | 3   | Hardware: Hardened Thrust Washer |
| -     | 0017-00100-0107 | 2   | Hardware: E-Ring 1"              |

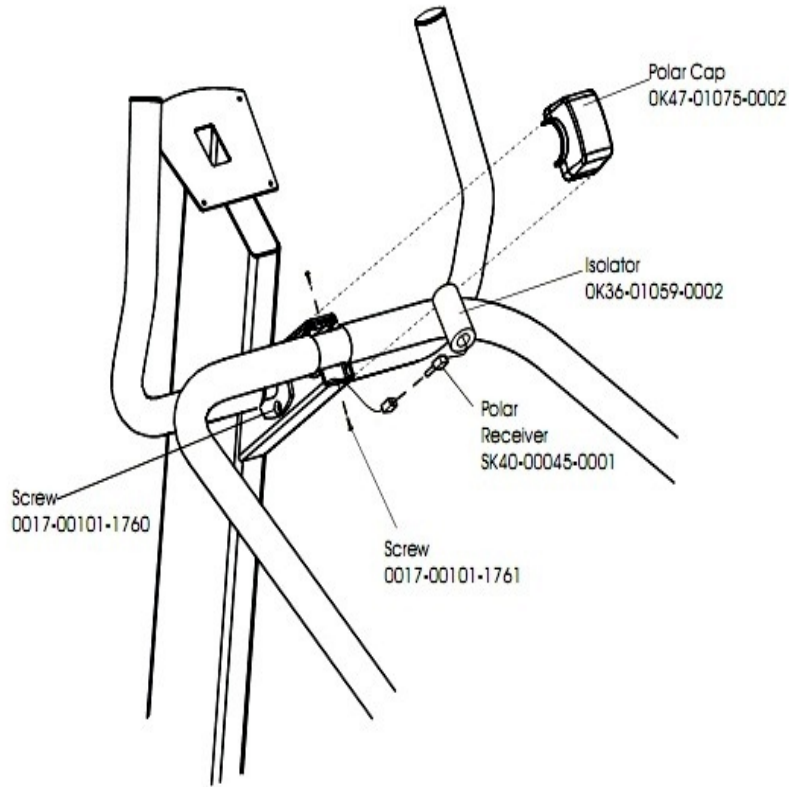
# Pedal Assembly



| Ref # | Part Number     | Qty | Description                            |
|-------|-----------------|-----|--|
| -     | 0017-00101-1348 | 2   | Hardware: Allen Screw 0.875"           |
| -     | AK47-00086-0002 | 2   | Pedal Bracket Assembly without Rollers |
| -     | 0017-00103-0324 | 4   | Hardware: Thin Lock Nut 3/8" ID        |
| -     | OK35-01105-0000 | 2   | Hardware: Belt Terminator              |
| -     | OK35-01144-0003 | 2   | Retainer: Belt; Top                    |
| -     | AK47-00073-0002 | 1   | Pedal Assembly with Rollers - Right    |
| -     | AK47-00087-0000 | 8   | Side-Roller with Bushing Assembly      |
| -     | OK47-01134-0000 | 2   | Roller Shaft                           |
| -     | AK47-00071-0000 | 4   | Mono Roller and Shaft Assembly         |
| -     | OK47-01151-0000 | 4   | Hardware: Hardened Thrust Washer       |
| -     | OK47-01046-0001 | 2   | Pedal Only: RH or LT                   |
| -     | OK35-01144-0001 | 2   | Retainer: Belt; Bottom                 |
| -     | OK35-01142-0000 | 2   | Hardware: Bracket                      |
| -     | AK47-00076-0000 | 2   | Mono-Rollers w/Bearings                |
| -     | OK47-01084-0000 | 4   | Side Track Roller                      |
| -     | AK47-00154-0001 | 2   | SPRING-ASSY: MFG; RT. C                |
| -     | OK47-01148-0000 | 2   | Hardware: Spacer Plate                 |
| -     | OK47-01144-0000 | 4   | Hardware: Thrust Washer                |
| -     | OK47-01153-0000 | 4   | Hardware: Screw                        |
| -     | OK47-01136-0000 | 4   | Roller Sleeve                          |
| -     | OK47-01138-0000 | 4   | Roller Sleeve                          |
| -     | 0017-00104-0159 | 4   | Hardware: Flat Washer 0.75" OD         |

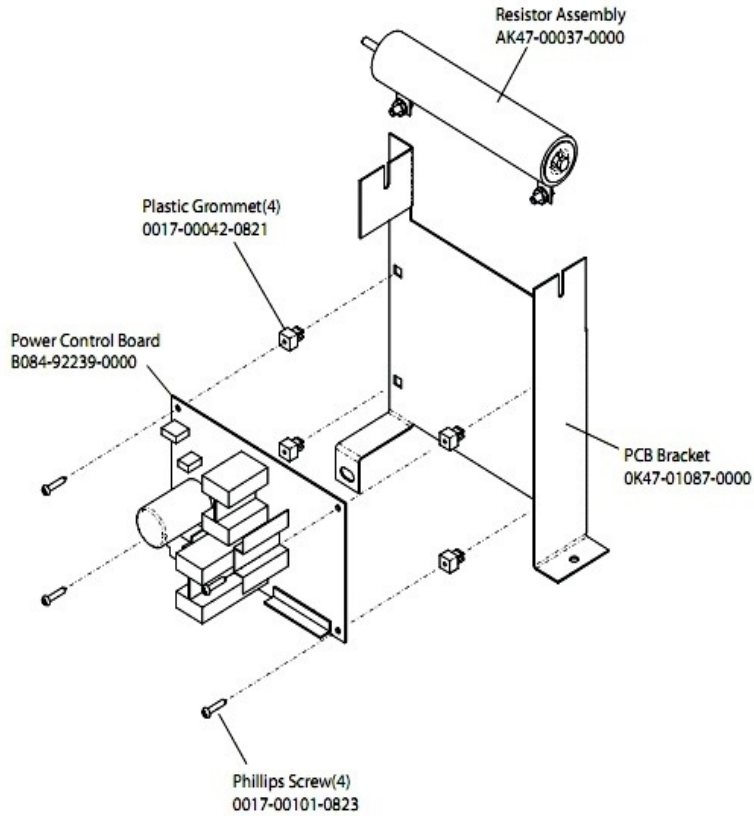
| Ref # | Part Number     | Qty | Description                         |
|-------|-----------------|-----|-------------------------------------|
| -     | 0017-00101-1609 | 8   | Hardware: Side Roller Hex Bolt 1.5" |
| -     | 0017-00101-1729 | 2   | Hardware: Center Hex Bolt 3.5"      |
| -     | 0017-00101-1730 | 8   | Hardware: Mono-roller Hex Bolt 3.5" |
| -     | 0017-00103-0052 | 2   | Hardware: Locking Nut ID            |
| -     | 0017-00103-0282 | 22  | Hardware: Locking Nut 5/16" ID      |
| -     | AK47-00072-0002 | 1   | Pedal Assembly with Rollers - Left  |
| -     | AK47-00154-0002 | 2   | Belt/Spring Assembly                |

## Polar Receiver Assembly



| Ref # | Part Number     | Qty | Description                         |
|-------|-----------------|-----|-------------------------------------|
| -     | 0017-00101-1760 | 1   | Hardware: TORX Cap Screw 0.625"     |
| -     | OK47-01075-0001 | 1   | Cap: Polar; Stealth; S/C-C          |
| -     | SK40-00045-0001 | 1   | Polar HR Kit                        |
| -     | 0017-00101-1761 | 2   | Hardware: Phillips Pan Screw 0.375" |
| -     | OK36-01059-0002 | 1   | Insulator Receiver Tube             |

## Power Control Board and Resistor



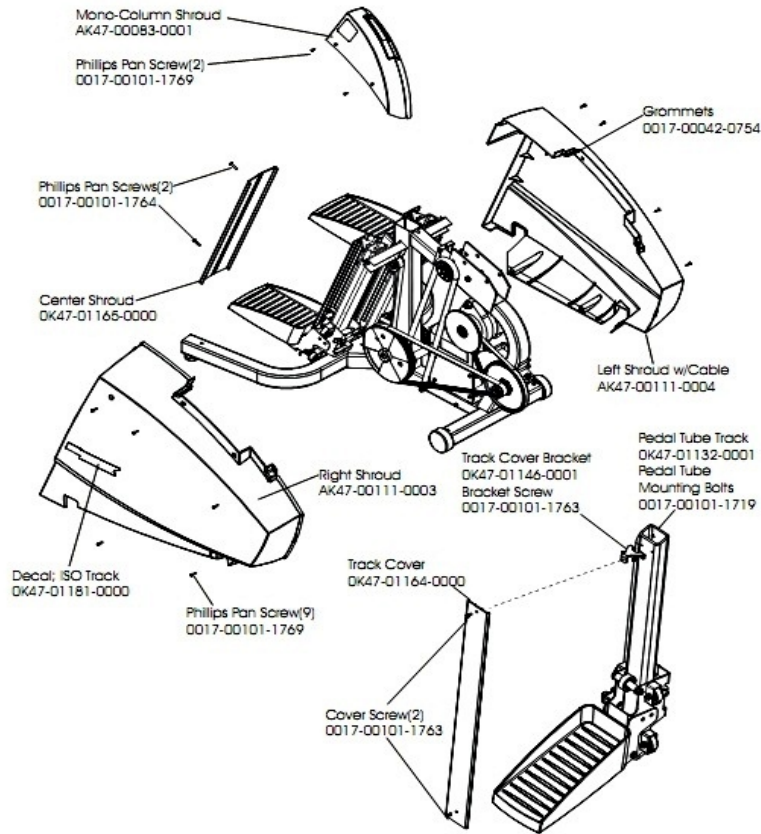
| Ref # | Part Number     | Qty | Description               |
|-------|-----------------|-----|---------------------------|
| -     | 0017-00042-0821 | 4   | Hardware: Plastic Grommet |
| -     | B084-92239-0000 | 1   | PCB                       |
| -     | 0K47-01087-0000 | 1   | PCB Bracket               |
| -     | AK47-00037-0000 | 1   | Resistor Assembly         |
| -     | 0017-00101-0823 | 4   | Hardware: Screw 0.75"     |

## References

---

| Ref # | Part Number     | Qty | Description                     |
|-------|-----------------|-----|---------------------------------|
| -     | 0017-00008-0205 | 1   | 5 oz Bottle - Arctic Silver     |
| -     | AK47-00063-0000 | 1   | DC Power Cable                  |
| -     | AK47-00106-0000 | 1   | Hardware Bag                    |
| -     | OK63-01028-0001 | 1   | Case                            |
| -     | 0017-00008-0204 | 1   | Paint Spray Can - Arctic Silver |
| -     | 0017-00008-0206 | 1   | .33oz Pen - Arctic Silver       |
| -     | GK63-00002-0003 | 1   | C-SAFE Network Kit              |

## Shrouds and Pedal Tube



| Ref # | Part Number     | Qty | Description                              |
|-------|-----------------|-----|--|
| -     | AK47-00111-0004 | 1   | Shroud with Decal and Cable- Left        |
| -     | OK47-01146-0001 | 2   | Track Cover Bracket                      |
| -     | OK47-01181-0000 | 2   | Decal                                    |
| -     | AK47-00111-0003 | 1   | Shroud with Decal - Right                |
| -     | AK47-00083-0001 | 1   | Mono-Column Shroud                       |
| -     | 0017-00101-1764 | 2   | Hardware: Phillips Pan Screw 1"          |
| -     | 0017-00101-1719 | 2   | Hardware: Pedal Tube Mounting Bolt 0.75" |
| -     | OK47-01165-0001 | 1   | Center Shroud                            |
| -     | 0017-00042-0754 | 8   | Hardware: Grommet                        |
| -     | 0017-00101-1769 | 11  | Hardware: Phillips Pan Screw 0.75"       |
| -     | 0017-00101-1763 | 5   | Hardware: Phillips Pan Screw 0.375"      |
| -     | OK47-01132-0001 | 2   | Pedal Tube                               |
| -     | OK47-01164-0001 | 1   | Track Cover                              |

