

93S Stairclimber - Prewired - Heart Rate

93S-0400-04

Parts Manual

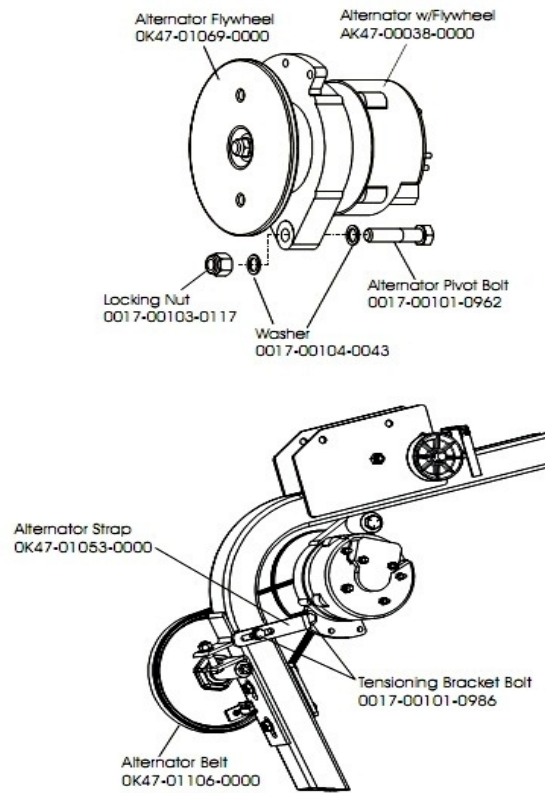
1/5/2019 7:54:11 AM



Table of Contents

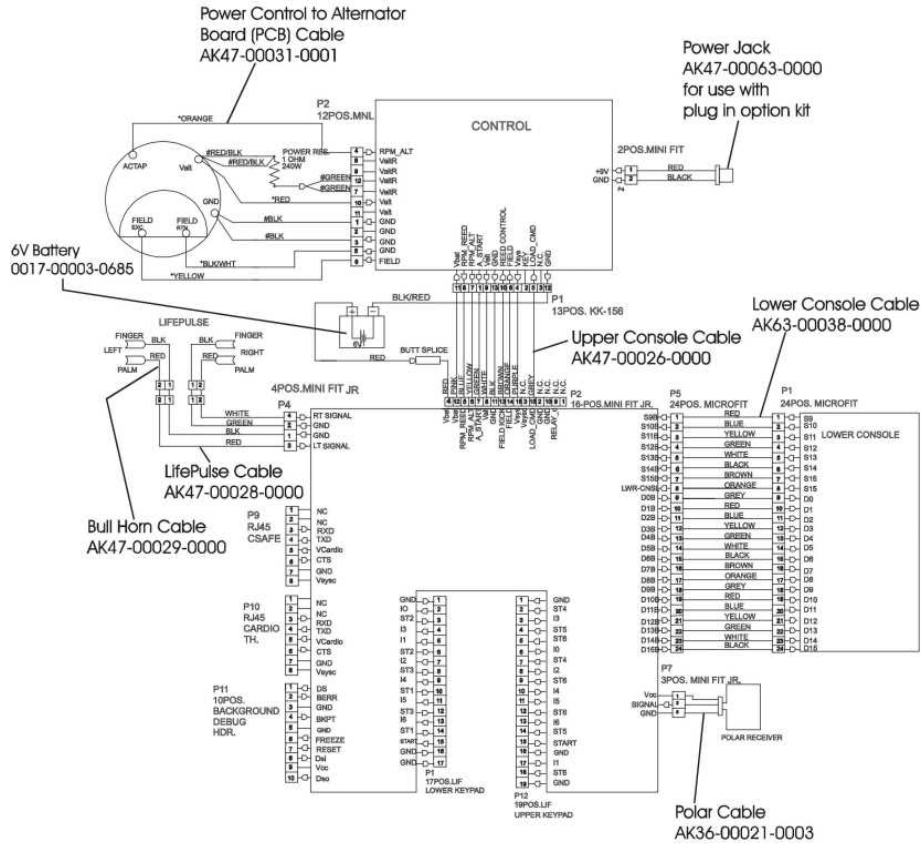
[Alternator Assembly](#).....3
[Cables](#).....4
[Clutch, Shaft and Pulley Assembly](#).....5
[Console and Related Components](#).....6
[Crossover Pulley Assembly](#).....7
[Frame Components](#).....8
[Guide Rollers](#).....9
[Left Clutch Assembly](#).....10
[Pedal Assembly](#).....11
[Polar Cap](#).....13
[Power Control Board and Resistor](#).....14
[References](#).....15
[Shrouds and Pedal Tube](#).....16

Alternator Assembly



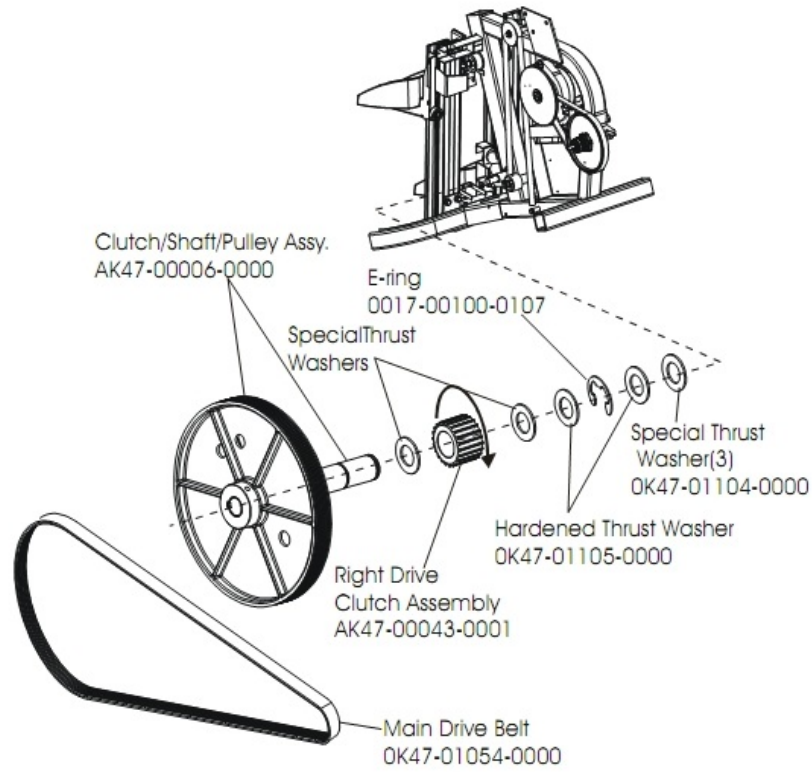
| Ref # | Part Number | Qty | Description |
|-------|-----------------|-----|--------------------------------------|
| - | 0017-00101-0986 | 1 | Hardware: Bolt 0.75" |
| - | 0017-00103-0117 | 1 | Hardware: Locking Nut 1/2" ID |
| - | 0017-00101-0962 | 1 | Hardware: Alternator Pivot Bolt 3.5" |
| - | OK47-01230-0000 | 1 | FLYWHEEL |
| - | 0017-00104-0043 | 2 | Hardware: Flat Washer 0.734" OD |
| - | OK47-01053-0000 | 1 | Tensioning Bracket |
| - | OK47-01229-0000 | 1 | BELT: POLY-V; 320J6; 32.00 IN. |
| - | AK47-00038-0000 | 1 | Alternator with Flywheel |

Cables



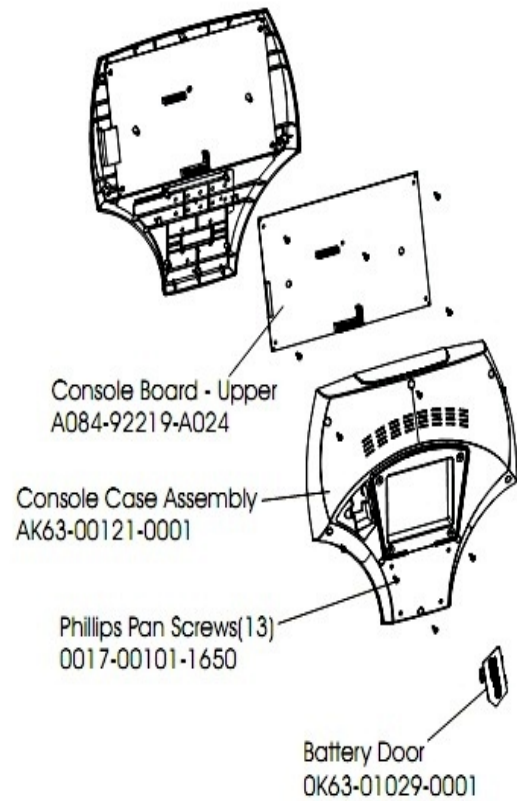
| Ref # | Part Number | Qty | Description |
|-------|-----------------|-----|---------------------|
| - | AK47-00026-0000 | 1 | Upper Console Cable |
| - | AK47-00029-0000 | 1 | Lifepulse Cable |
| - | AK47-00028-0000 | 1 | Lifepulse Cable |
| - | AK36-00021-0003 | 1 | Cable Assembly |
| - | AK47-00063-0000 | 1 | DC Power Cable |
| - | 0017-00003-0685 | 1 | 6V Battery |
| - | AK47-00031-0001 | 1 | Power Control Cable |
| - | AK63-00038-0000 | 1 | Lower Console Cable |

Clutch, Shaft and Pulley Assembly



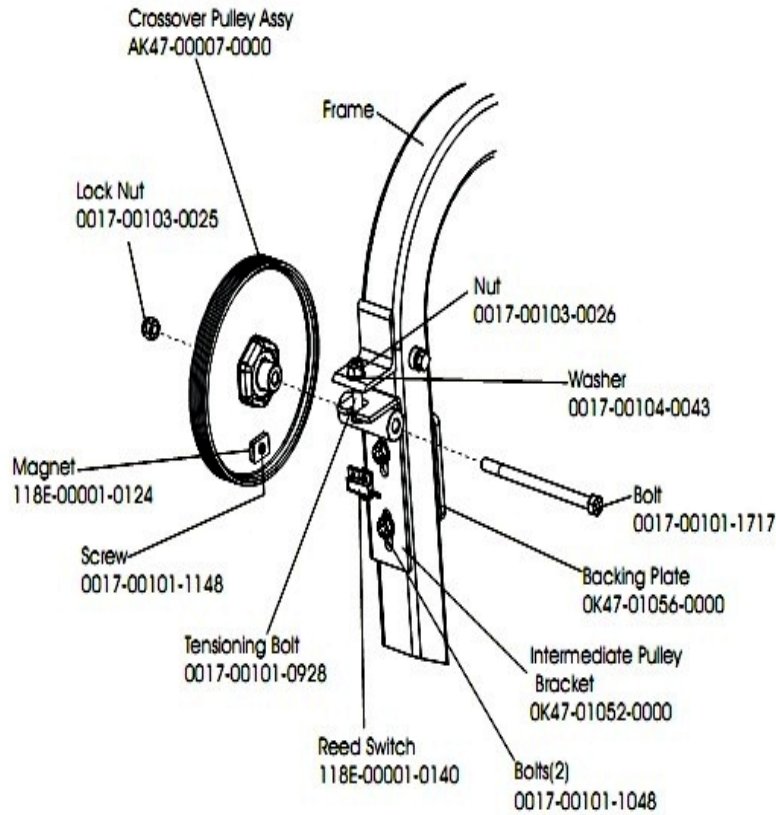
| Ref # | Part Number | Qty | Description |
|-------|-----------------|-----|----------------------------------|
| - | AK47-00006-0000 | 1 | Clutchshaft Pulley Assembly |
| - | 0017-00100-0107 | 1 | Hardware: E-Ring 1" |
| - | OK47-01104-0000 | 3 | Hardware: Thrust Washer |
| - | AK47-00043-0001 | 1 | Right Clutch Sprocket Assembly |
| - | OK47-01105-0000 | 2 | Hardware: Hardened Thrust Washer |
| - | GK47-00002-0036 | 1 | KIT: STEPPER BELT AND PULLEY |

Console and Related Components



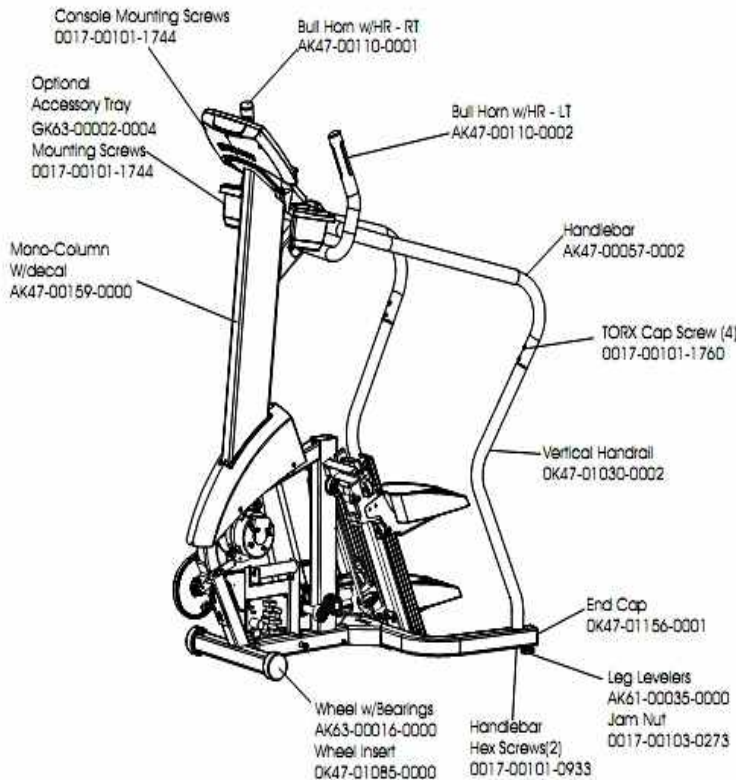
| Ref # | Part Number | Qty | Description |
|-------|-----------------|-----|--|
| - | AK63-00121-0001 | 1 | Console Case Assembly |
| - | OK63-01029-0001 | 1 | Battery Door |
| - | AK47-00161-0004 | 1 | Console Assembly Spanish/Metric |
| - | A084-92219-A024 | 1 | Console Board - Upper |
| - | AK47-00099-0004 | 1 | Overlay/Bezel/Switch Assembly Spanish/Metric |
| - | 0017-00101-1650 | 13 | Hardware: Phillips Pan Screw 0.375" |

Crossover Pulley Assembly



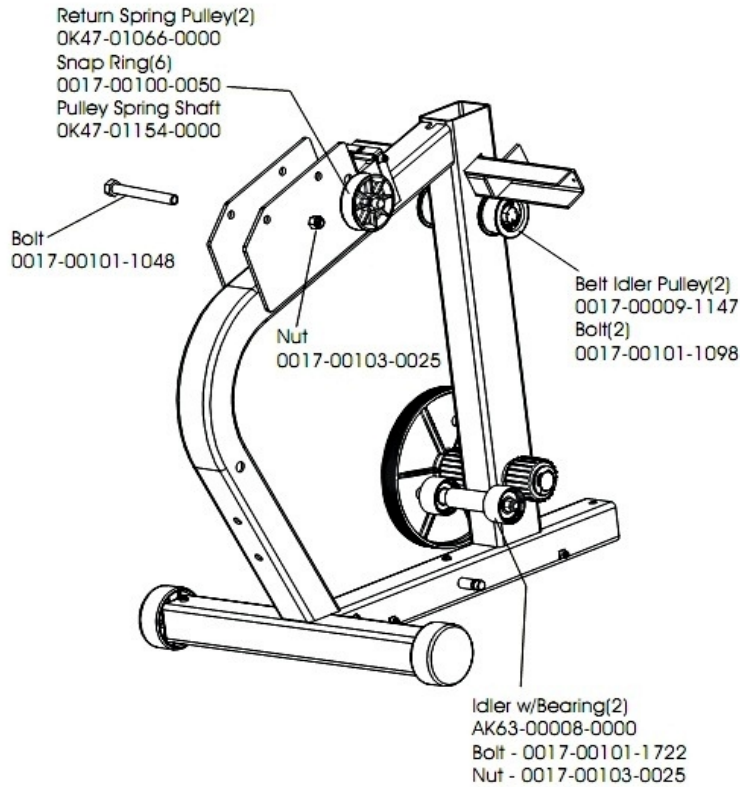
| Ref # | Part Number | Qty | Description |
|-------|-----------------|-----|-----------------------------------|
| - | OK47-01056-0000 | 1 | Plate |
| - | 0017-00103-0025 | 1 | Hardware: Locking Nut 3/8" ID |
| - | 0017-00101-1048 | 2 | Hardware: Bolt 3" |
| - | 0017-00103-0026 | 1 | Hardware: Hex Nut 3/8" ID |
| - | OK47-01052-0000 | 1 | Intermediate Pulley Bracket |
| - | 0017-00101-1717 | 1 | Hardware: Bolt 6" |
| - | 0017-00101-0928 | 1 | Hardware: Tensioning Bolt 1.75" |
| - | 118E-00001-0124 | 1 | Auto-Start Magnet |
| - | 0017-00101-1148 | 1 | Hardware: Phillips Pan Bolt 0.75" |
| - | 118E-00001-0140 | 1 | Reed Switch SPDT |
| - | 0017-00104-0043 | 1 | Hardware: Flat Washer 0.734" OD |
| - | AK47-00007-0000 | 1 | Crossover Pulley Assembly |

Frame Components



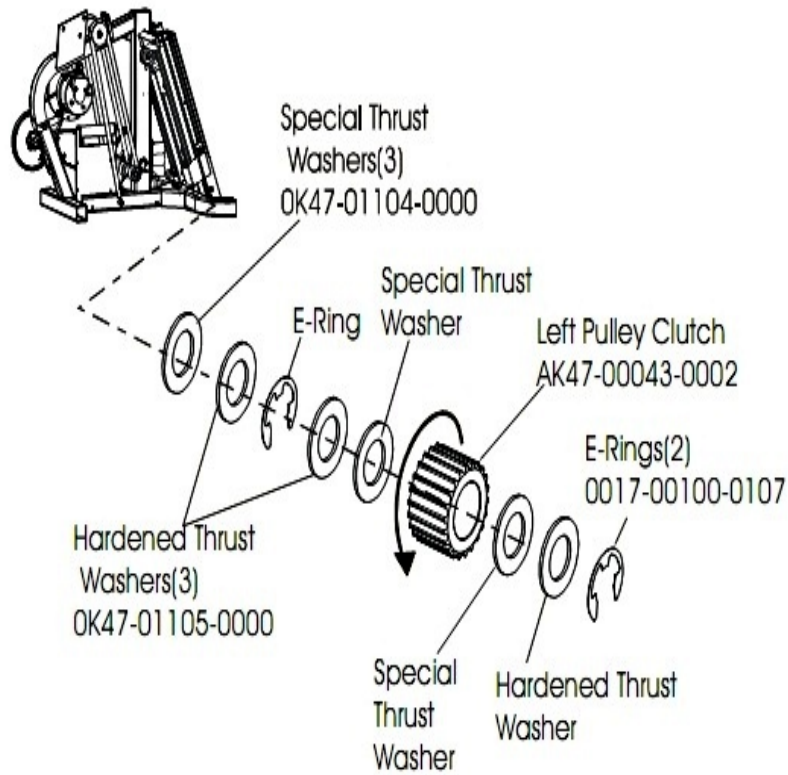
| Ref # | Part Number | Qty | Description |
|-------|-----------------|-----|-------------------------------------|
| - | 0K47-01085-0000 | 2 | Wheel Insert |
| - | 0K47-01030-0002 | 2 | Vertical Handrail |
| - | AK61-00035-0000 | 2 | Leg Leveler |
| - | AK63-00016-0001 | 2 | Wheel/Bearing Assembly |
| - | AK47-00110-0001 | 1 | Bullhorn with HR - Right |
| - | AK47-00110-0002 | 1 | Bullhorn with HR - Left |
| - | AK47-00198-0000 | 1 | Handle Bar |
| - | GK63-00002-0004 | 1 | Accessory Tray |
| - | 0K47-01156-0001 | 2 | End Cap |
| - | 0017-00101-0933 | 4 | Hardware: Handlebar Hex Screws 1.5" |
| - | 0017-00101-1760 | 8 | Hardware: TORX Cap Screw 0.625" |
| - | AK63-00016-0000 | 2 | Wheel/Bearing Assembly |
| - | 0017-00101-1744 | 10 | Hardware: Phillips Pan Screw |
| - | 0017-00103-0273 | 2 | Hardware: Hex Nut 3/8" ID |
| - | AK47-00159-0000 | 1 | Mono-Column with Decal |

Guide Rollers



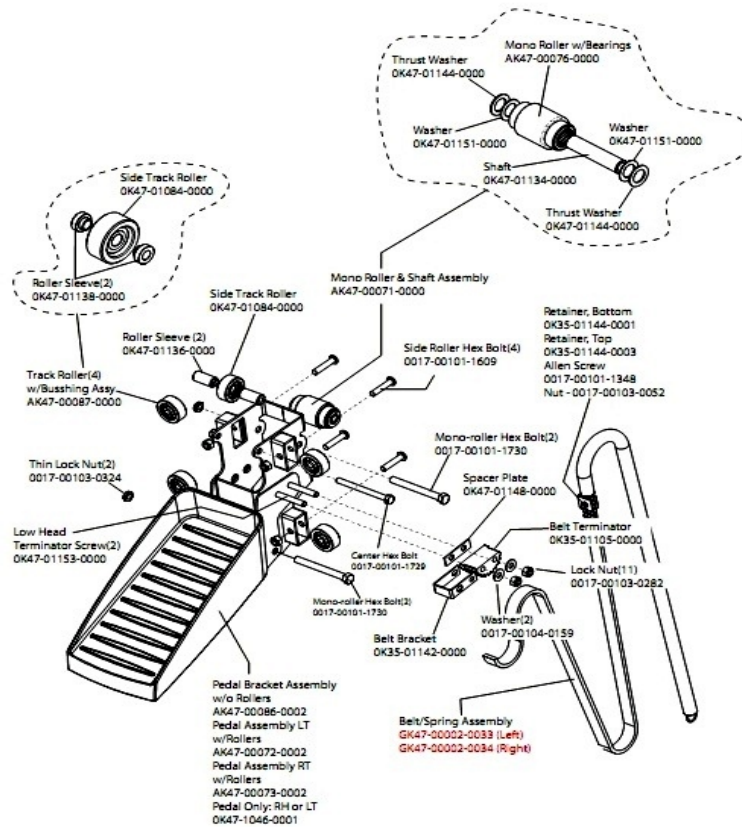
| Ref # | Part Number | Qty | Description |
|-------|-----------------|-----|-------------------------------|
| - | OK47-01154-0000 | 1 | Spring Pulley Shaft |
| - | OK47-01066-0000 | 2 | Return Spring Pulley |
| - | 0017-00101-1048 | 1 | Hardware: Bolt 3" |
| - | AK63-00008-0000 | 2 | Idler w/Bearing |
| - | 0017-00103-0025 | 2 | Hardware: Locking Nut 3/8" ID |
| - | 0017-00009-1147 | 2 | Belt Idler Pulley |
| - | 0017-00100-0050 | 6 | Hardware: E-Ring .5" |
| - | 0017-00101-1098 | 2 | Hardware: Bolt 1.5" |
| - | 0017-00101-1722 | 1 | Hardware: Bolt 5" |

Left Clutch Assembly



| Ref # | Part Number | Qty | Description |
|-------|-----------------|-----|----------------------------------|
| - | AK47-00043-0002 | 1 | Left Clutch Sprocket Assembly |
| - | OK47-01105-0000 | 3 | Hardware: Hardened Thrust Washer |
| - | 0017-00100-0107 | 2 | Hardware: E-Ring 1" |
| - | OK47-01104-0000 | 3 | Hardware: Thrust Washer |

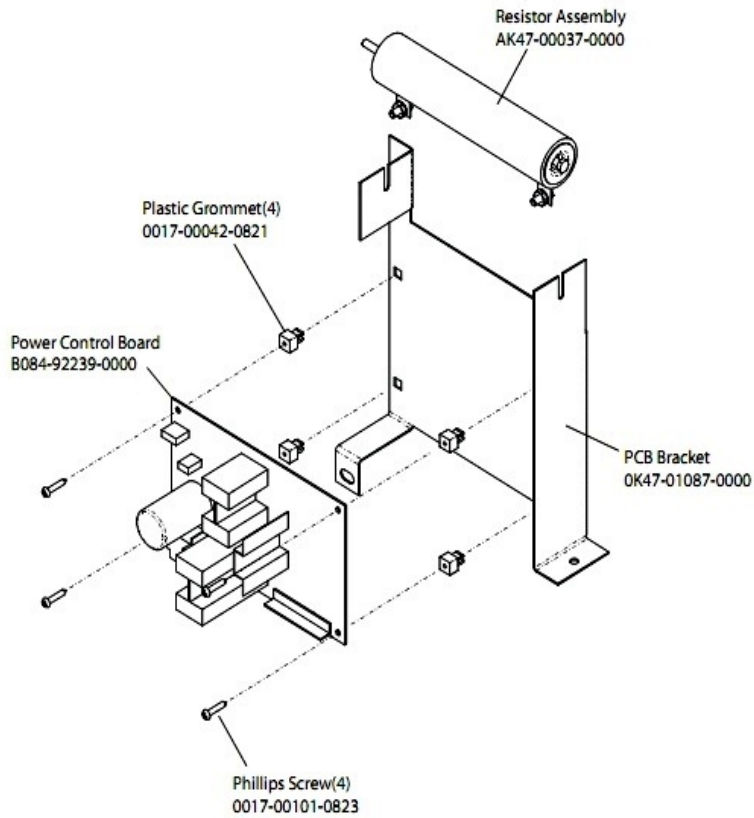
Pedal Assembly



| Ref # | Part Number | Qty | Description |
|-------|-----------------|-----|--|
| - | 0017-00101-1348 | 2 | Hardware: Allen Screw 0.875" |
| - | AK47-00086-0002 | 2 | Pedal Bracket Assembly without Rollers |
| - | 0017-00103-0324 | 4 | Hardware: Thin Lock Nut 3/8" ID |
| - | OK35-01105-0000 | 2 | Hardware: Belt Terminator |
| - | OK35-01144-0003 | 2 | Retainer: Belt; Top |
| - | AK47-00073-0002 | 1 | Pedal Assembly with Rollers - Right |
| - | AK47-00087-0000 | 2 | Side-Roller with Bushing Assembly |
| - | OK47-01134-0000 | 2 | Roller Shaft |
| - | AK47-00071-0000 | 4 | Mono Roller and Shaft Assembly |
| - | OK47-01151-0000 | 4 | Hardware: Hardened Thrust Washer |
| - | OK47-01046-0001 | 2 | Pedal Only: RH or LT |
| - | OK35-01144-0001 | 2 | Retainer: Belt; Bottom |
| - | OK35-01142-0000 | 2 | Hardware: Bracket |
| - | AK47-00076-0000 | 2 | Mono-Rollers w/Bearings |
| - | OK47-01144-0000 | 4 | Hardware: Thrust Washer |
| - | OK47-01153-0000 | 4 | Hardware: Screw |
| - | OK47-01136-0000 | 4 | Roller Sleeve |
| - | OK47-01138-0000 | 4 | Roller Sleeve |
| - | 0017-00104-0159 | 4 | Hardware: Flat Washer 0.75" OD |
| - | 0017-00101-1609 | 8 | Hardware: Side Roller Hex Bolt 1.5" |
| - | 0017-00101-1729 | 2 | Hardware: Center Hex Bolt 3.5" |
| - | 0017-00101-1730 | 8 | Hardware: Mono-roller Hex Bolt 3.5" |

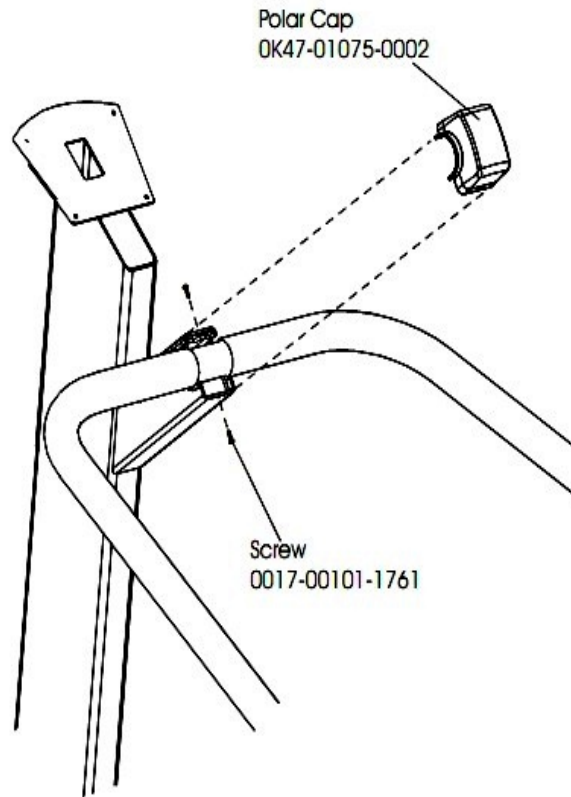
| Ref # | Part Number | Qty | Description |
|-------|-----------------|-----|------------------------------------|
| - | 0017-00103-0052 | 2 | Hardware: Locking Nut ID |
| - | 0017-00103-0282 | 22 | Hardware: Locking Nut 5/16" ID |
| - | AK47-00072-0002 | 1 | Pedal Assembly with Rollers - Left |
| - | AK47-00154-0002 | 1 | Belt/Spring Assembly |
| - | OK47-01148-0000 | 2 | Hardware: Spacer Plate |
| - | AK47-00154-0001 | 1 | SPRING-ASSY: MFG; RT. C |
| - | OK47-01084-0000 | 4 | Side Track Roller |

Polar Cap



| Ref # | Part Number | Qty | Description |
|-------|-----------------|-----|-------------------------------------|
| - | OK47-01075-0001 | 1 | Cap: Polar; Stealth; S/C-C |
| - | 0017-00101-1761 | 2 | Hardware: Phillips Pan Screw 0.375" |

Power Control Board and Resistor

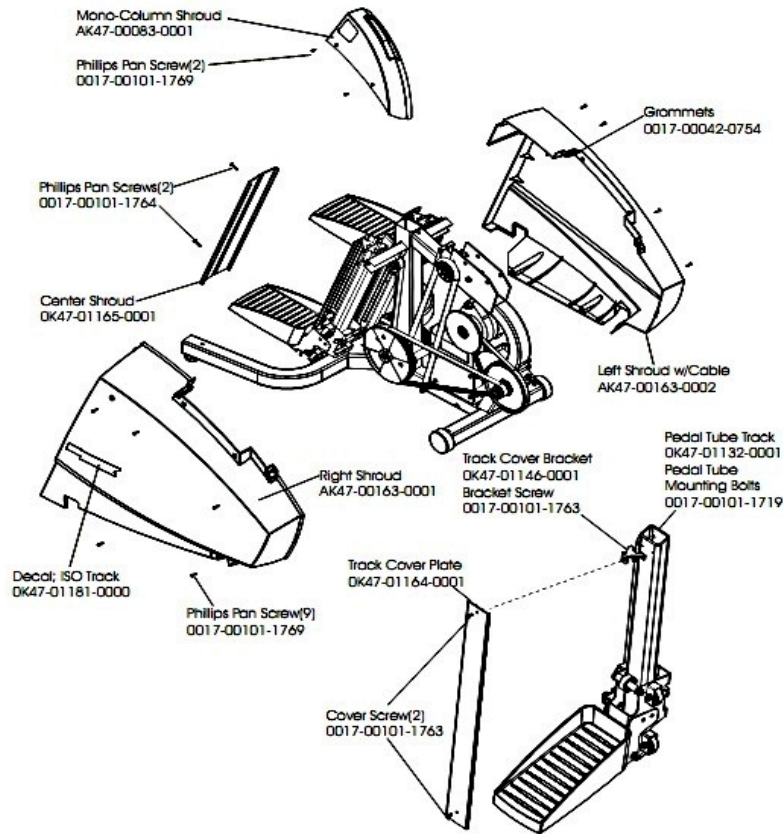


| Ref # | Part Number | Qty | Description |
|-------|-----------------|-----|---------------------------|
| - | 0017-00101-0823 | 4 | Hardware: Screw 0.75" |
| - | AK47-00037-0000 | 1 | Resistor Assembly |
| - | OK47-01087-0000 | 1 | PCB Bracket |
| - | B084-92239-0000 | 1 | PCB |
| - | 0017-00042-0821 | 4 | Hardware: Plastic Grommet |

References

| Ref # | Part Number | Qty | Description |
|-------|-----------------|-----|---------------------------------|
| - | 0017-00021-2846 | 1 | F-Type Panel Connector |
| - | 0017-00008-0205 | 1 | 5 oz Bottle - Arctic Silver |
| - | AK47-00165-0000 | 1 | Hardware Bag |
| - | 0017-00008-0204 | 1 | Paint Spray Can - Arctic Silver |
| - | AK32-00078-0001 | 1 | Power Extension Cable: 120" |
| - | AK47-00122-0001 | 1 | Access Panel Assembly |
| - | GK47-00002-0003 | 1 | Telemetry Kit |
| - | AK47-00164-0001 | 1 | Parts Bag |
| - | 0017-00008-0206 | 1 | .33oz Pen - Arctic Silver |
| - | OK47-01197-0001 | 1 | Cable Mounting Plate |
| - | AK32-00020-0002 | 1 | Coax Cable: 120" |

Shrouds and Pedal Tube



| Ref # | Part Number | Qty | Description |
|-------|-----------------|-----|--|
| - | OK47-01146-0001 | 2 | Track Cover Bracket |
| - | OK47-01181-0000 | 2 | Decal |
| - | AK47-00083-0001 | 1 | Mono-Column Shroud |
| - | 0017-00101-1764 | 2 | Hardware: Phillips Pan Screw 1" |
| - | 0017-00101-1719 | 2 | Hardware: Pedal Tube Mounting Bolt 0.75" |
| - | OK47-01165-0001 | 1 | Center Shroud |
| - | 0017-00042-0754 | 8 | Hardware: Grommet |
| - | 0017-00101-1769 | 11 | Hardware: Phillips Pan Screw 0.75" |
| - | AK47-00163-0001 | 1 | Shroud with Decal - Right |
| - | AK47-00163-0002 | 1 | Shroud with Decal and Cable- Left |
| - | 0017-00101-1763 | 5 | Hardware: Phillips Pan Screw 0.375" |
| - | OK47-01132-0001 | 2 | Pedal Tube |
| - | OK47-01164-0001 | 1 | Track Cover |

