

93T Treadmill - English/Metric 230/50 (CON)

93T-0101-04

Parts Manual

1/5/2019 8:07:07 AM

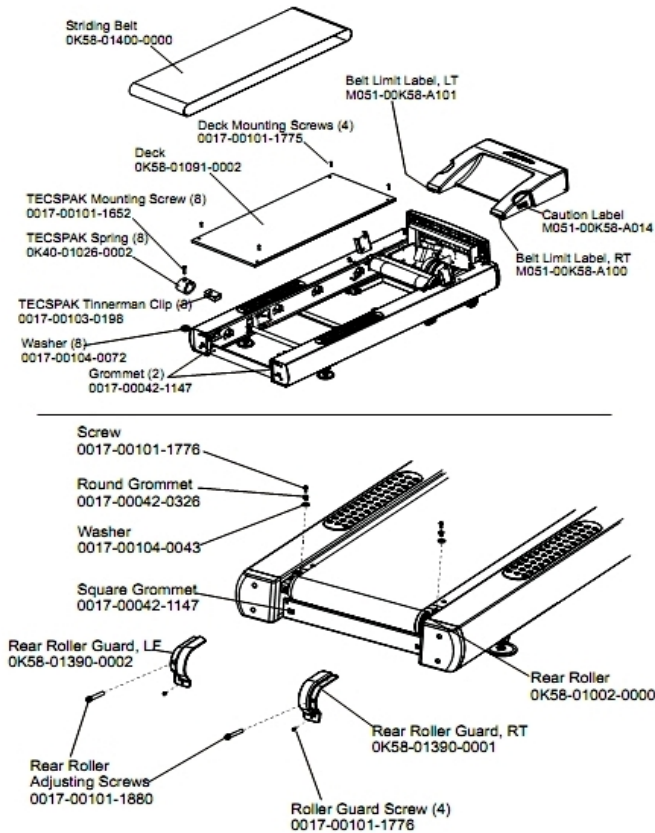


LifeFitness
WHAT WE LIVE FOR

Table of Contents

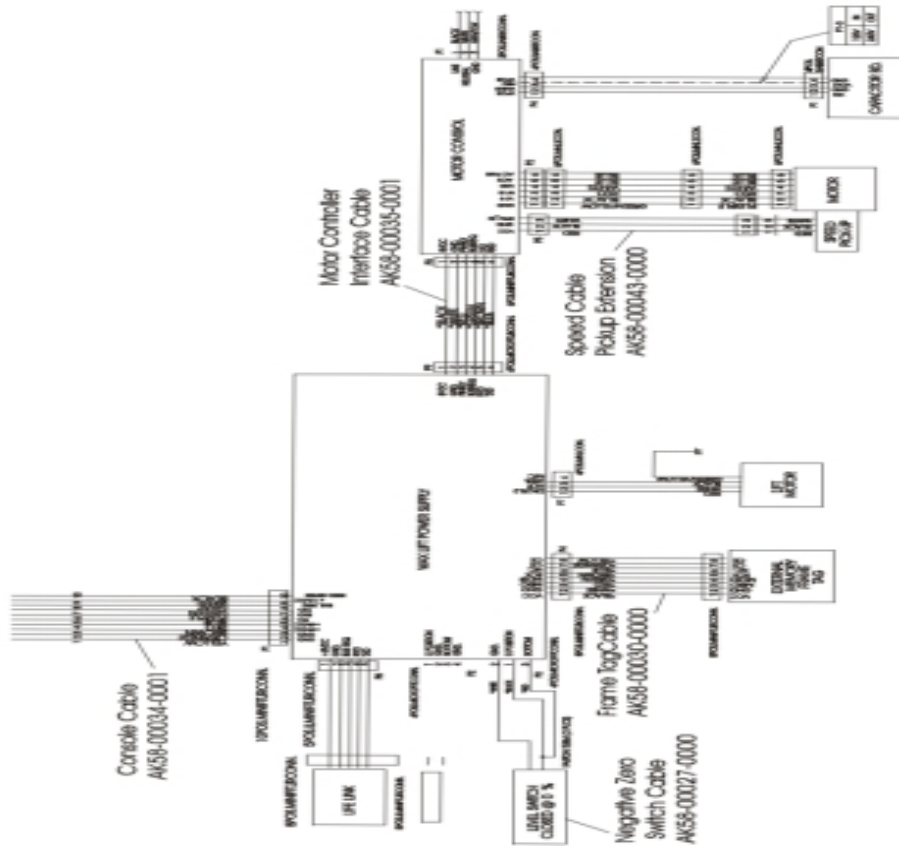
Belt, Deck and Rear Roller	3
Cables	4
Console and Related Components	5
Drive Motor Assembly	6
Ergo Bar with Lifepulse	7
Front Roller Assembly	8
Idler Arm Assembly and Static Brush	9
Leveler Assembly	10
Lift Frame and Lift Motor	11
Motor Controller Assembly	12
Motor Cover, Front Cover and Front End Caps	13
Power Components Schematic	14
Rear End Caps and Cup Holders	15
References	16
Scuff Pad, Tinsel and Frame Tag Board	17
Uprights, Handrails and Ergo Bar	18
Wax/Lift Assembly	19

Belt, Deck and Rear Roller



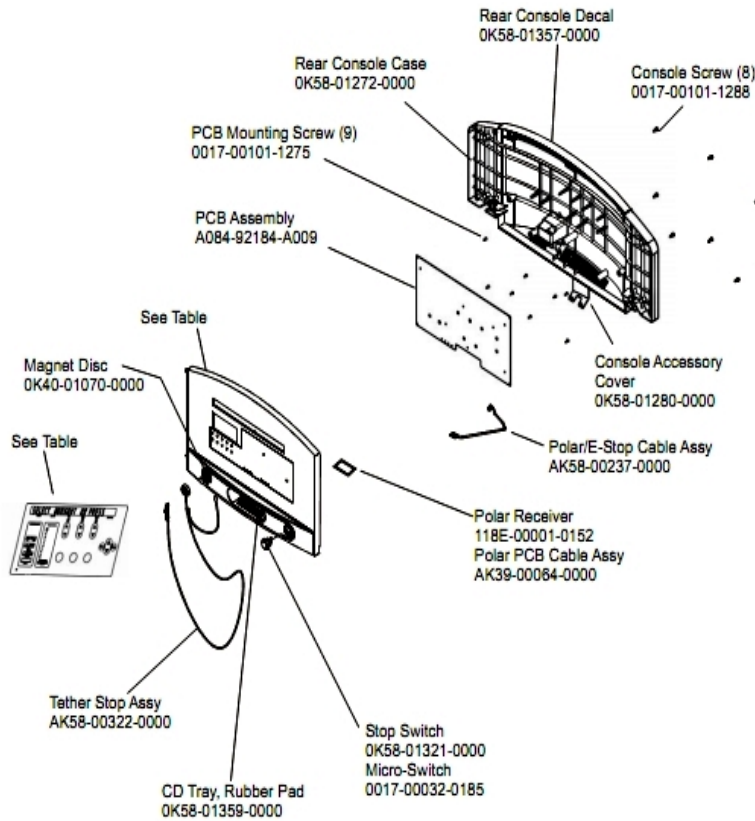
Ref #	Part Number	Qty	Description
-	0017-00101-1775	4	Hardware: Deck Screws 1.25"
-	OK58-01390-0001	1	Rear Roller Guard Right
-	OK65-01263-0000	1	Deck
-	OK40-01026-0002	8	Deck Spring
-	M051-00K58-A101	1	Belt Limit Label. Left
-	0017-00101-1776	6	Hardware: Mounting Screw 0.5"
-	0017-00104-0043	2	Hardware: Flat Washer 0.734" OD
-	0017-00101-1880	1	Hardware: Tension Bolts 3"
-	0017-00101-1652	8	Hardware: Spring Mounting Screw 1"
-	0017-00042-1147	4	Hardware: Nylon Grommet
-	0017-00042-0326	2	Hardware: Plastic Grommet
-	M051-00K58-A014	1	Label: Caution
-	OK58-01390-0002	1	Rear Roller Guard Left
-	OK58-01002-0000	1	Rear Roller - 3.5"
-	OK58-01400-0000	1	Striding Belt
-	M051-00K58-A100	1	Label: Belt Limit: Right
-	0017-00104-0072	8	Hardware: Flat Washer 0.562" OD
-	0017-00103-0198	8	Hardware: Tinnerman Clip 1/4" ID

Cables



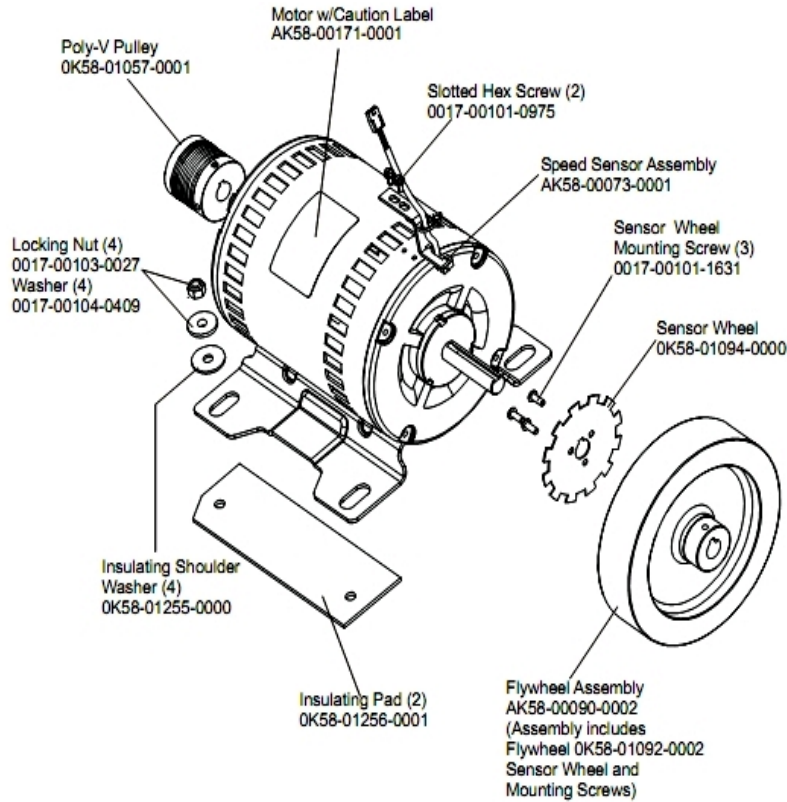
Ref #	Part Number	Qty	Description
-	AK58-00027-0000	1	Limit Switch Cable
-	AK58-00030-0000	1	Frame Tag Cable
-	AK58-00035-0001	1	Motor Controller Interface Cable
-	AK58-00043-0000	1	Speed Sensor Cable
-	AK58-00034-0001	1	Console Power Cable

Console and Related Components



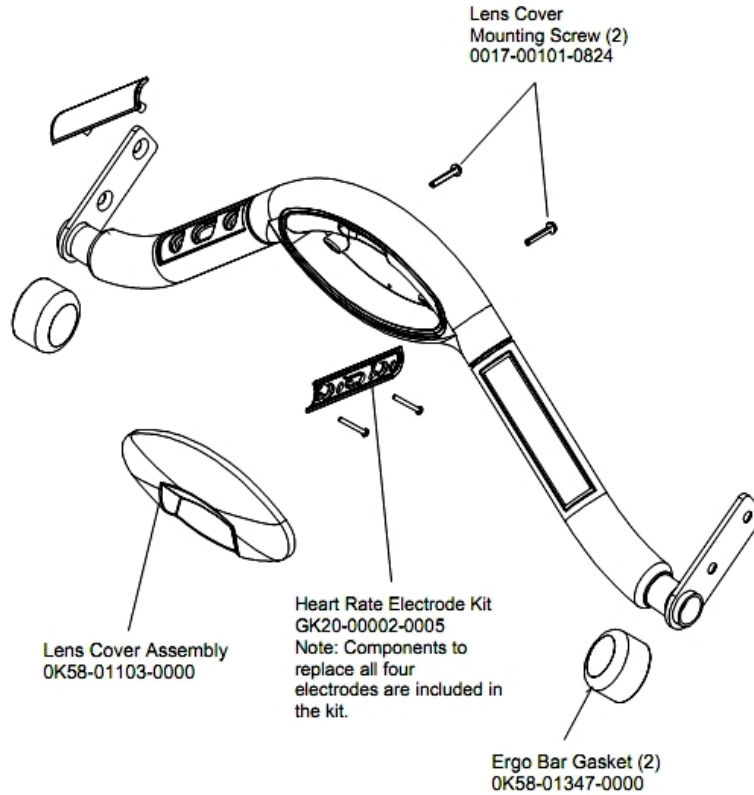
Ref #	Part Number	Qty	Description
-	0017-00101-1275	9	Hardware: Phillips Screw 0.375"
-	118E-00001-0259	1	Wireless Receiver Module, Non-Coded
-	0K40-01070-0000	1	Magnetic Disk
-	0K58-01359-0000	1	Rubber Pad
-	AK58-00237-0000	1	Cable-Assembly: Polar/E-Stop
-	118E-00001-0244	1	Heart Rate Receiver
-	AK58-00322-0000	1	Tether Stop Assembly
-	AK58-00526-0001	1	Bezel Switch with Overlay: English/Metric
-	AK58-00481-0002	1	Console: English/Metric
-	0K58-01321-0000	1	Stop Switch
-	0017-00101-1288	8	Hardware: Phillips Screw 0.5"
-	A084-92184-A009	1	PCB Assembly
-	0K58-01280-0000	1	Accessory Cover
-	0017-00032-0185	1	Micro Switch 150GR
-	0K58-01357-0000	1	Decal
-	0K58-01272-0000	1	Rear Console Case

Drive Motor Assembly



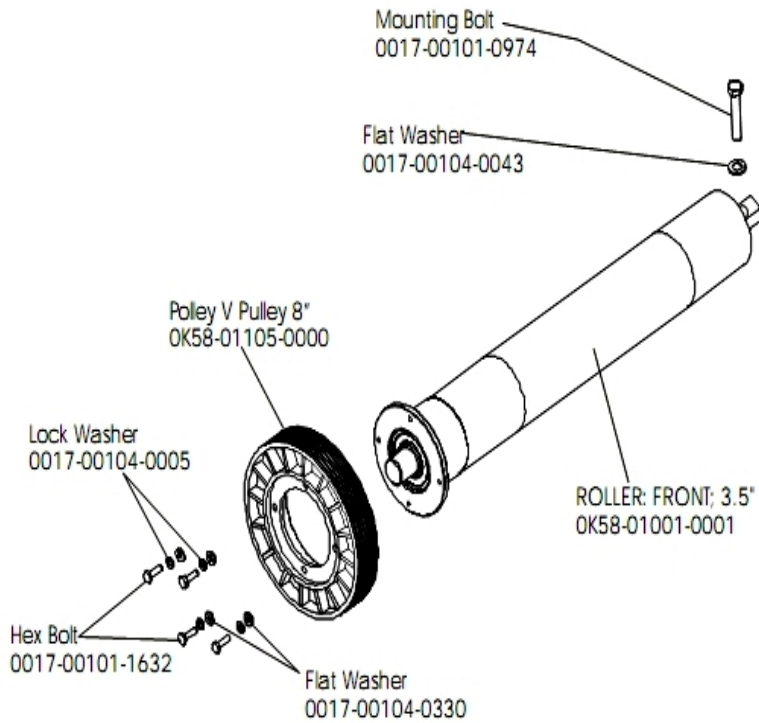
Ref #	Part Number	Qty	Description
-	AK58-00171-0001	1	Drive Motor Assembly
-	0017-00101-0975	2	Hardware: Mounting Bolt 0.375"
-	0017-00103-0027	4	Hardware: Locking Nut. 5/16" ID
-	OK58-01057-0001	1	Drive Pulley - 1.971"
-	OK58-01255-0000	4	Hardware: Insulating Washers
-	AK58-00073-0001	1	Speed Sensor Assembly
-	OK58-01094-0000	1	Sensor Wheel
-	AK58-00090-0002	1	Flywheel Assembly
-	OK58-01256-0001	2	Insulating Pad
-	0017-00104-0409	4	Hardware: Washer 1.125" OD
-	0017-00101-1631	3	Hardware: Sensor Wheel Mounting Screw

Ergo Bar with Lifepulse



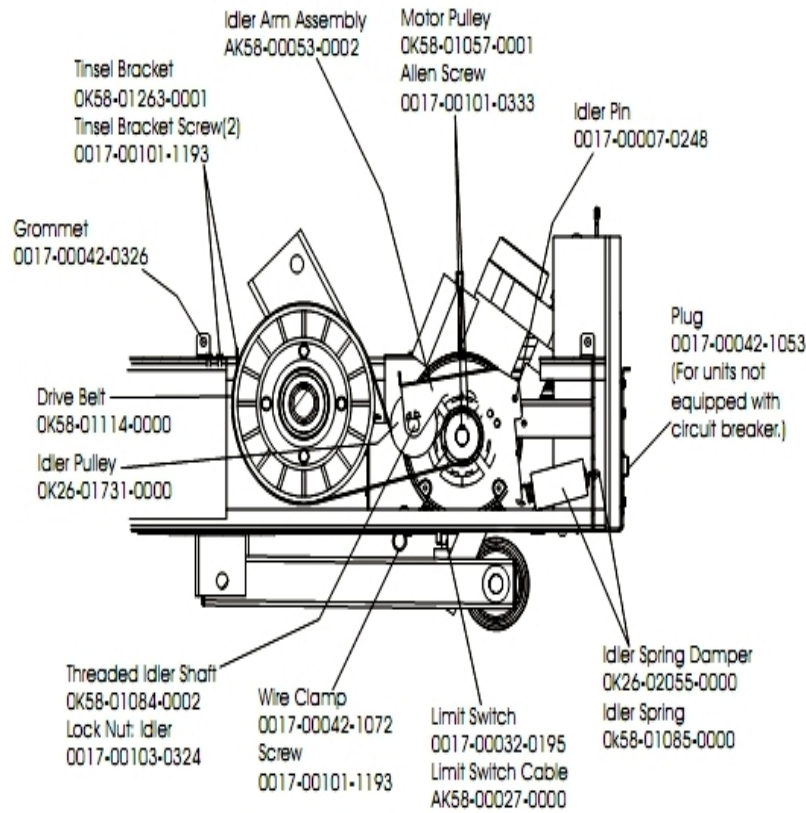
Ref #	Part Number	Qty	Description
-	AK58-00064-0000	1	I/R Lens Cover Assembly
-	0017-00101-0824	2	Hardware: Screw 1.125"
-	0K58-01347-0000	2	ErgoBar Gasket
-	GK20-00002-0005	2	Heart Rate Electrode Kit

Front Roller Assembly



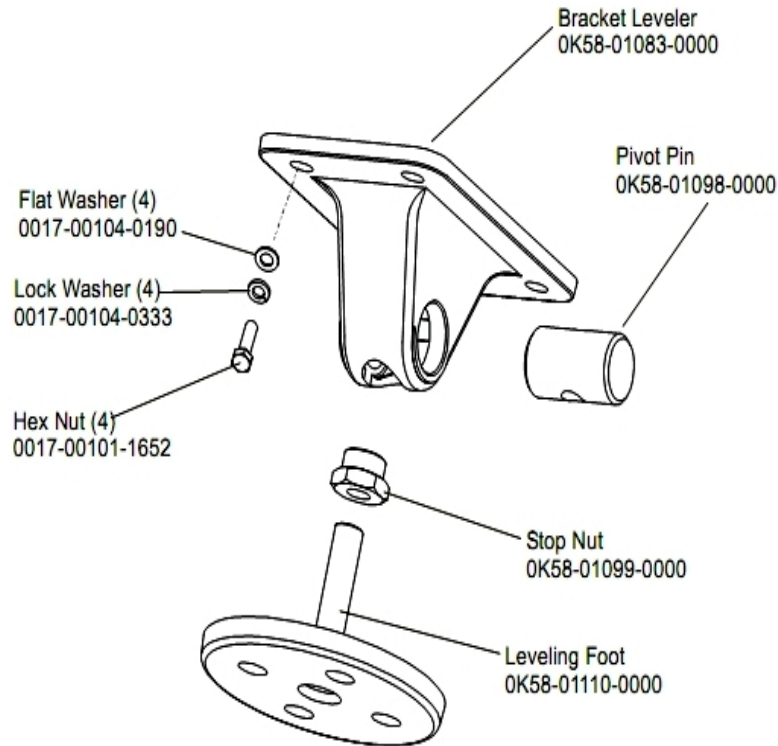
Ref #	Part Number	Qty	Description
-	0017-00101-0974	1	Hardware: Mounting Bolt 2"
-	0017-00104-0330	4	Hardware: Flat Washers 0.562" OD
-	AK58-00066-0000	1	Front Roller Assembly
-	OK58-01001-0001	1	Front Roller - 3.5"
-	OK58-01105-0000	1	Drive Pulley Poly V - 8"
-	0017-00104-0043	1	Hardware: Flat Washer 0.734" OD
-	0017-00104-0005	4	Hardware: Lock Washer 0.489" OD
-	0017-00101-1632	4	Hardware: Hex Bolt 0.875"

Idler Arm Assembly and Static Brush



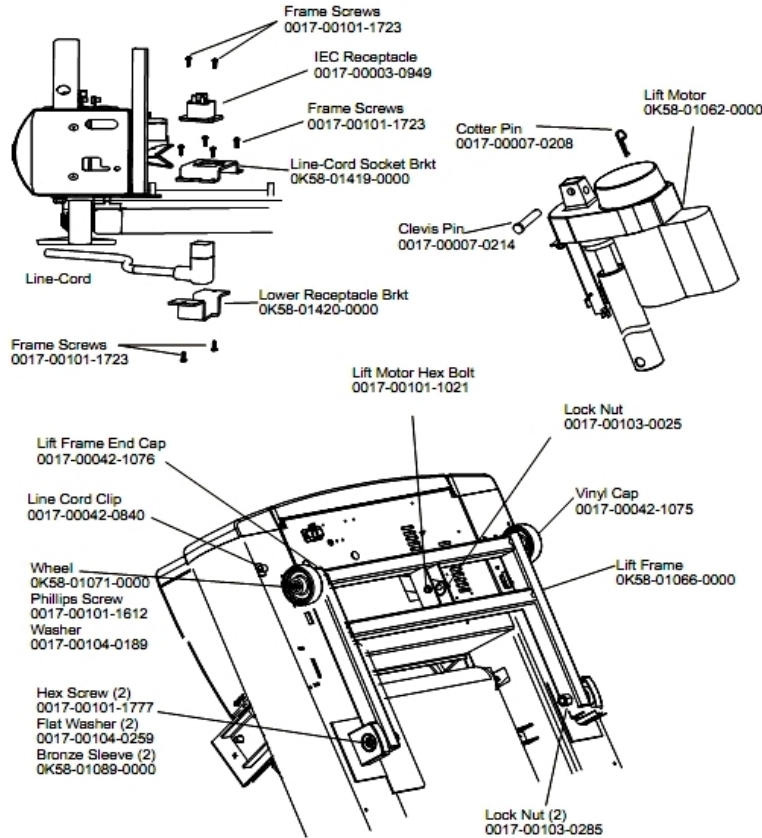
Ref #	Part Number	Qty	Description
-	OK58-01057-0001	1	Drive Pulley - 1.971"
-	OK58-01263-0001	1	Tinsel Bracket
-	0017-00103-0324	1	Hardware: Thin Lock Nut 3/8" ID
-	AK58-00027-0000	1	Limit Switch Cable
-	OK26-01731-0000	1	Plastic Idler 2 5/8" OD
-	OK26-02055-0000	1	Spring Damper
-	0017-00032-0195	1	Home Switch
-	0017-00042-1072	1	Hardware: Wire Clamp - 5/8"
-	OK58-01084-0002	1	Threaded Shaft
-	0017-00007-0248	1	Hardware: Locking Pin .31" D 2.125" L
-	0017-00042-0326	1	Hardware: Plastic Grommet
-	0017-00101-1193	3	Hardware: Screw 0.375"
-	OK58-01114-0000	1	Poly-V Drive Belt - 370J12
-	0017-00101-0333	1	Hardware: Screw 0.3125"
-	AK58-00053-0002	1	Idler Arm Assembly
-	OK58-01085-0000	1	Extension Spring
-	0017-00042-1053	1	Plug (For units not equipped with circuit breaker.)

Leveler Assembly



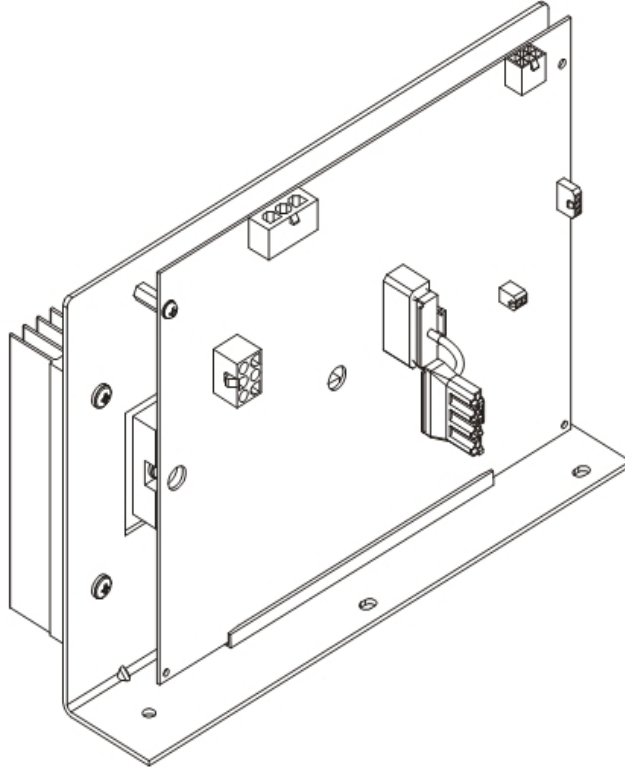
Ref #	Part Number	Qty	Description
-	0017-00104-0333	4	Hardware: Washer 0.683" OD
-	OK58-01110-0000	1	Leveler Foot
-	OK58-01098-0000	1	Hardware: Pivot Pin
-	OK58-01083-0000	1	Leveler Bracket
-	OK58-01099-0000	1	Hardware: Stop Nut
-	0017-00104-0190	4	Hardware: Flat Washer 0.734" OD
-	AK58-00370-0000	1	Leveler Assembly
-	0017-00101-1652	4	Hardware: Spring Mounting Screw 1"

Lift Frame and Lift Motor



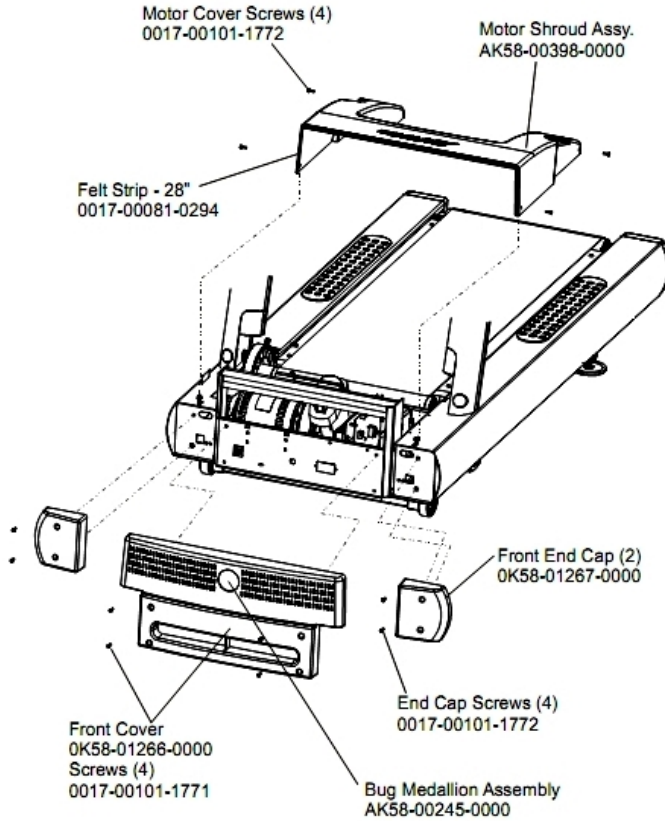
Ref #	Part Number	Qty	Description
-	AK58-00220-0000	1	LIFT-FRAME ASSY: MFG. C
-	0017-00042-1076	2	Lift Frame End Cap
-	0017-00007-0208	1	Hardware: Cotter Pin
-	0017-00101-1777	2	Hardware: Lift Frame Mounting Bolt 2.75"
-	0017-00104-0189	2	Hardware: Flat Washer 1" OD
-	OK58-01419-0000	1	Line Cord Socket Bracket
-	0017-00103-0285	2	Hardware: Nut 5/8" ID
-	0017-00101-1723	8	Hardware: Phillips Pan Screw 0.375"
-	0017-00101-1021	1	Hardware: Lift Motor Hex Bolt 2.5"
-	0017-00104-0259	2	Hardware: Washer 1.331" OD
-	0017-00103-0025	1	Hardware: Locking Nut 3/8" ID
-	OK58-01062-0000	1	Lift Motor - 120/60
-	OK58-01420-0000	1	Lower Receptacle Bracket
-	OK58-01089-0000	2	Bronze Sleeve Bushings
-	0017-00042-0840	1	Hardware: Push Mount Clip
-	OK58-01071-0000	2	Wheel
-	0017-00101-1612	2	Hardware: Phillips Screw 0.5"
-	0017-00003-0949	1	IEC Receptacle
-	0017-00007-0214	1	Hardware: Clevis Pin 3/8" D 1.75" L
-	0017-00042-1075	1	Vinyl Cap

Motor Controller Assembly



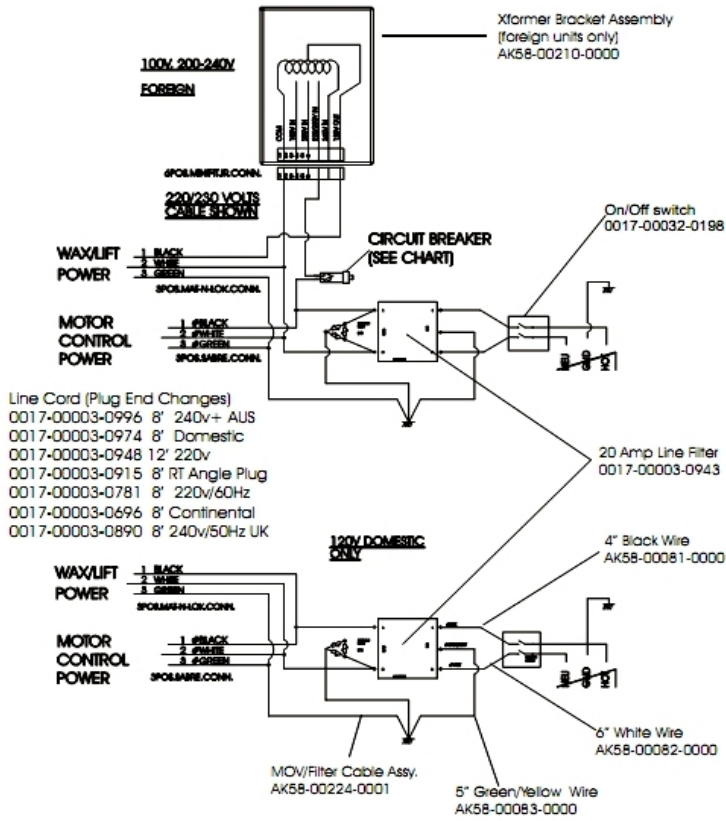
Ref #	Part Number	Qty	Description
-	GK65-00002-0019	2	Motor Controller Assembly (200-240V)

Motor Cover, Front Cover and Front End Caps



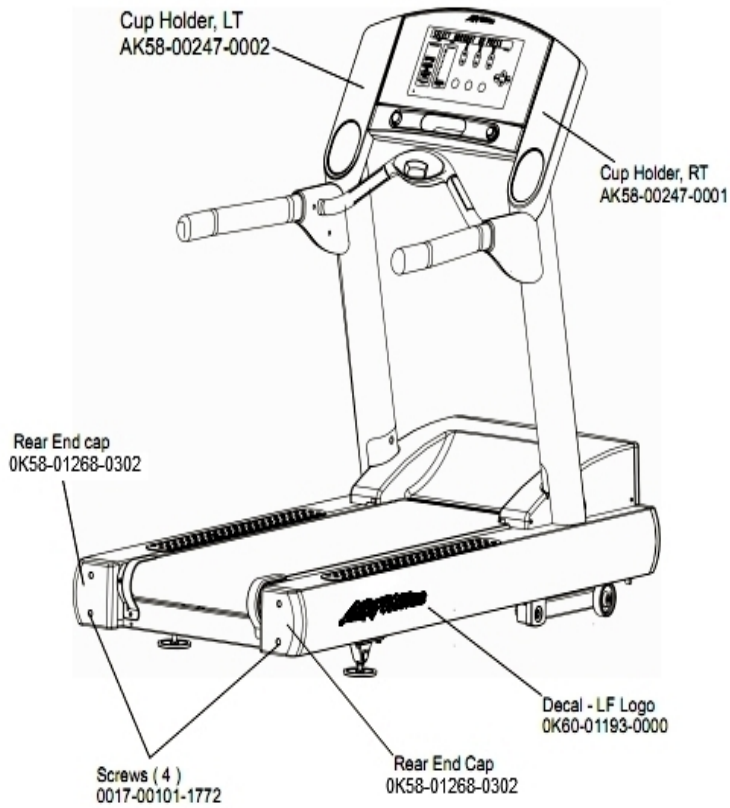
Ref #	Part Number	Qty	Description
-	AK58-00245-0000	1	Bug Medallion
-	OK58-01266-0000	1	Front Cover
-	0017-00081-0294	1	Felt Strip - 28"
-	0017-00101-1771	4	Hardware: Phillips Pan Screw
-	AK58-00398-0000	1	Motor Shroud Assembly
-	OK58-01267-0000	2	End Cap
-	0017-00101-1772	8	Hardware: Phillips Pan Screw 0.5"

Power Components Schematic



Ref #	Part Number	Qty	Description
-	0017-00003-0943	1	10 Amp Line Filter 230v or higher
-	0017-00003-0948	1	12' 220v Line Cord
-	0017-00003-0974	1	Line Cord: 120V: 8'
-	AK58-00081-0000	1	Jumper Cable Assembly: Black - 4"
-	AK58-00082-0000	1	Jumper Cable Assembly: White - 6"
-	0017-00032-0198	1	On/Off Switch 22A
-	AK58-00210-0000	1	Transformer-Bracket Assembly
-	0017-00003-0915	1	Line Cord RT Angle Plug
-	AK58-00083-0000	1	Cable Assembly
-	AK58-00224-0001	1	Cable: MOV; Fliter

Rear End Caps and Cup Holders

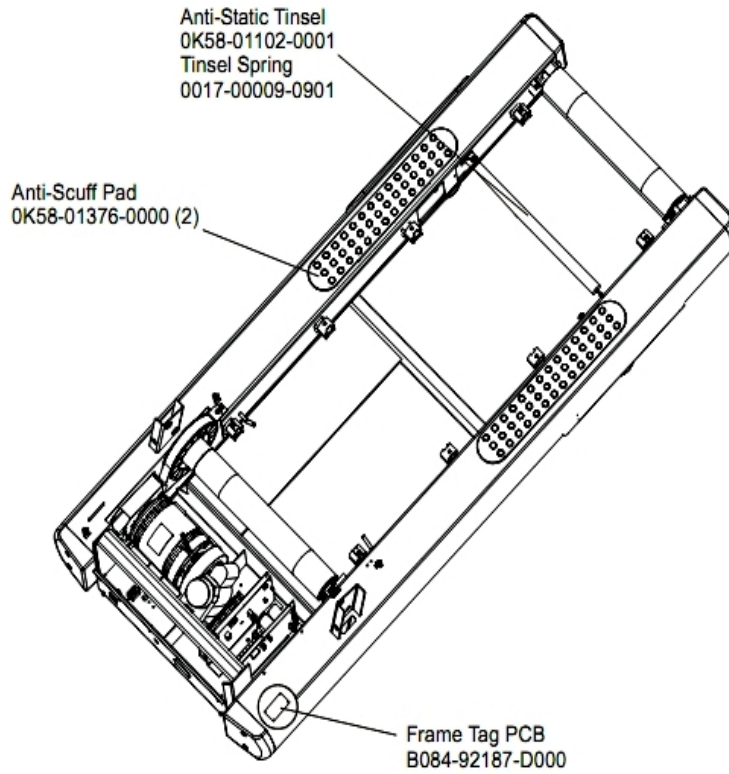


Ref #	Part Number	Qty	Description
-	0017-00101-1772	4	Hardware: Phillips Pan Screw 0.5"
-	AK58-00247-0001	1	Cup Holder Right
-	OK60-01193-0000	2	Decal: LF Logo
-	AK58-00247-0002	1	Cup Holder Left
-	OK58-01268-0302	2	ENDCAP: REAR; STEALTH D

References

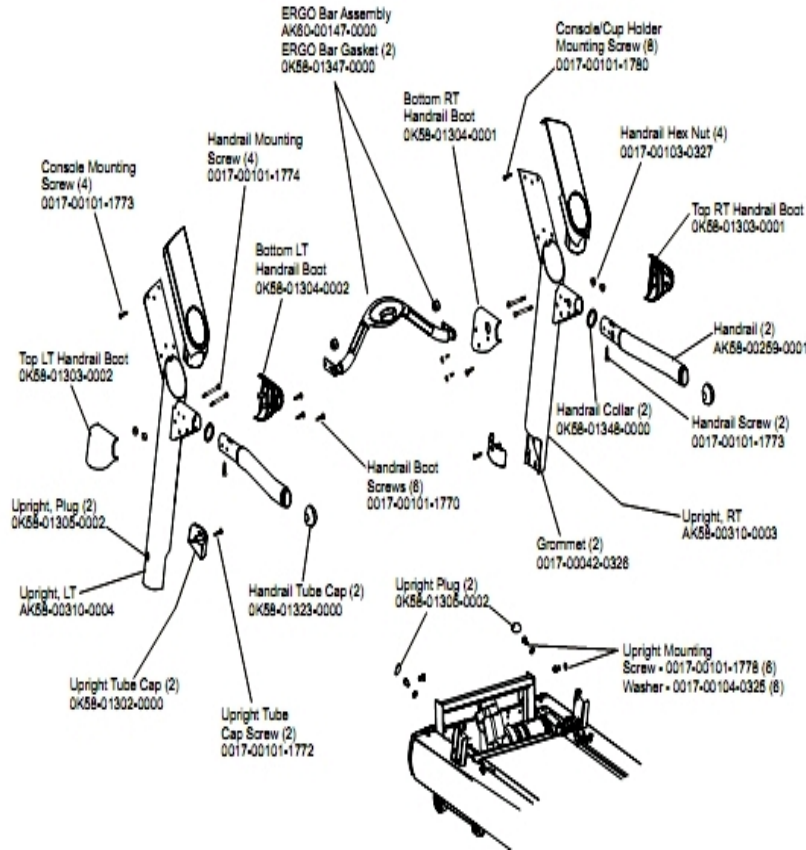
Ref #	Part Number	Qty	Description
-	0017-00008-0206	1	.33oz Pen - Arctic Silver
-	AK58-00227-0000	1	Hardware Bag
-	0017-00008-0204	1	Paint Spray Can - Arctic Silver
-	0017-00008-0205	1	5 oz Bottle - Arctic Silver

Scuff Pad, Tinsel and Frame Tag Board



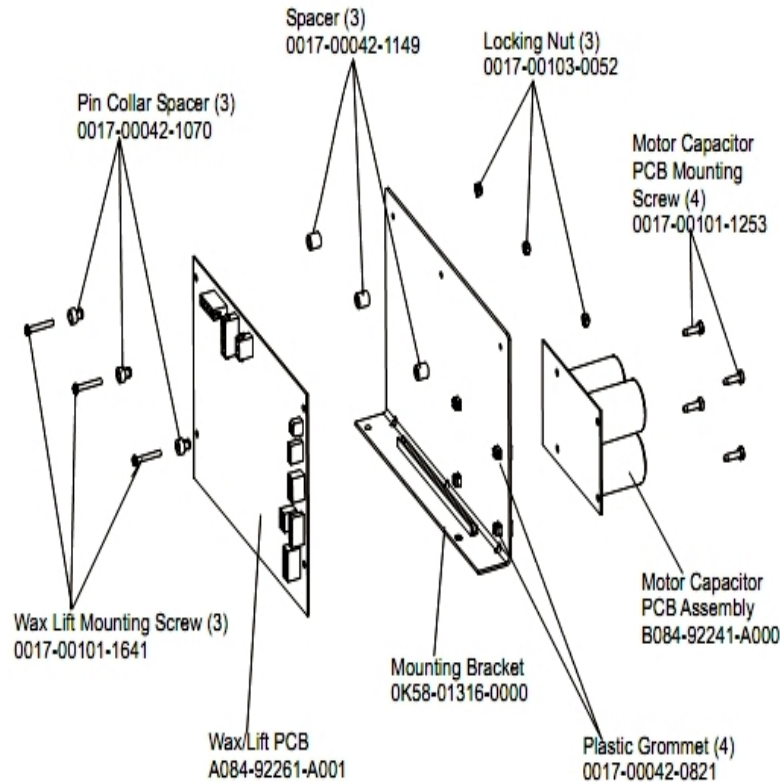
Ref #	Part Number	Qty	Description
-	OK58-01376-0000	2	Anti-Scuff Pad
-	0017-00009-0901	1	Tinsel Extension Spring
-	OK58-01102-0001	1	Anti-Static Tinsel
-	B084-92187-D000	1	Frame Tag PCB

Uprights, Handrails and Ergo Bar



Ref #	Part Number	Qty	Description
-	0017-00101-1773	6	Hardware: TORX Screw 0.5"
-	OK58-01348-0000	2	Handrail Collar
-	OK58-01323-0000	2	Handrail Tube Cap
-	OK58-01303-0002	1	Top Left Handrail Boot
-	OK58-01304-0001	1	Bottom Right Handrail Boot
-	OK58-01304-0002	1	Bottom Left Handrail Boot
-	0017-00101-1772	2	Hardware: Phillips Pan Screw 0.5"
-	OK58-01303-0001	1	Top Right Handrail Boot
-	AK60-00147-0000	1	ERGO Bar with Heart Rate Sensor
-	0017-00101-1778	6	Hardware: Hex Bolt 1"
-	AK58-00310-0003	1	Upright: Right
-	0017-00103-0327	4	Hardware: Hex Nut 5/16" ID
-	OK58-01302-0103	2	Cap: Upright Tube; Arctic Silver
-	OK58-01305-0002	4	Upright Plug
-	AK58-00259-0001	2	Handrail
-	AK58-00311-0004	1	Upright: Left
-	0017-00042-0326	2	Hardware: Plastic Grommet
-	OK58-01347-0000	2	ErgoBar Gasket
-	0017-00104-0325	6	Hardware: Washer 0.873" OD
-	0017-00101-1774	4	Hardware: TORX Screw 2.5"
-	0017-00101-1780	8	Hardware: Mounting Screws
-	0017-00101-1770	6	Hardware: Phillips Pan Screw 0.5"

Wax/Lift Assembly



Ref #	Part Number	Qty	Description
-	0017-00101-1253	4	Hardware: Screw
-	0017-00101-1641	3	Hardware: Phillips Pan Screw
-	A084-92261-A001	1	Wax/Lift PCB
-	0017-00042-0821	4	Hardware: Plastic Grommet
-	0017-00042-1070	3	Pin Collar Spacer
-	AK58-00243-0000	1	Wax/Lift Assembly
-	0017-00042-1149	3	Spacer
-	OK58-01316-0000	1	Mounting Bracket
-	0017-00103-0052	3	Hardware: Locking Nut ID
-	B084-92241-A000	1	Motor Capacitor PCB Assembly

