

93T Treadmill - 4HP AC - Heart Rate

93T-0101-07

Parts Manual

1/5/2019 8:07:07 AM

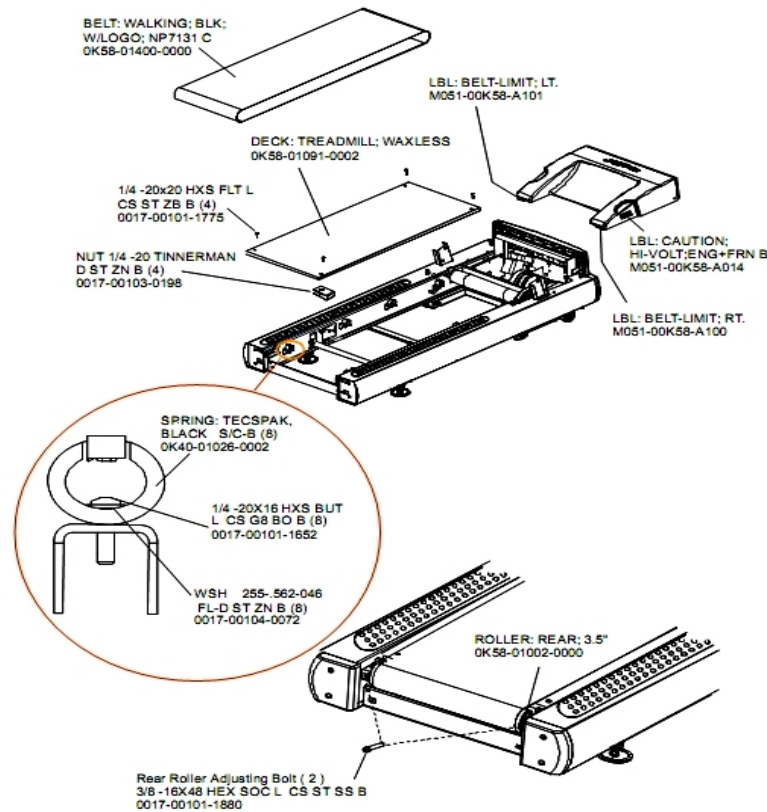


LifeFitness
WHAT WE LIVE FOR

Table of Contents

Belt, Deck and Rear Roller.....	3
Cables.....	4
Console.....	5
Console Components.....	6
Drive Motor Assembly.....	7
DSP Controller Assembly.....	8
Ergo Bar with Heart Rate Assembly.....	9
Front Roller Assembly.....	10
Idler Arm Assembly.....	11
Leg Leveler Assembly.....	12
Lift Frame, Lift Motor and IEC Receptacle.....	13
Motor Cover, Front Cover, Front End Caps and Tinsel.....	14
On-Off Switch, Access Plate and Grommets.....	15
Optional Line Cords.....	16
Rear End Caps and Cup Holders.....	17
References.....	18
Uprights and Handrails.....	20
Wax/Lift Assembly.....	21

Belt, Deck and Rear Roller

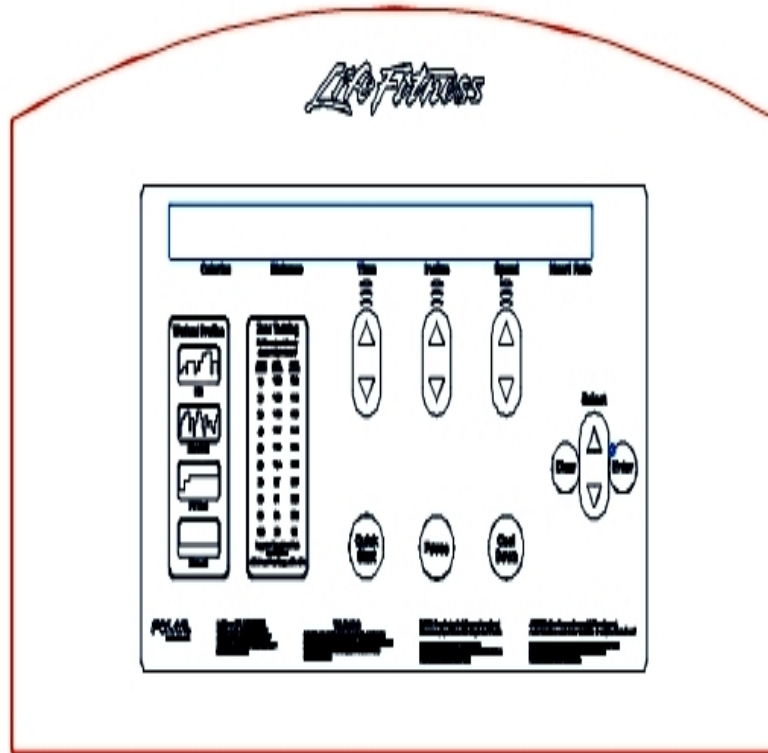


Ref #	Part Number	Qty	Description
-	0017-00101-1775	4	Hardware: Deck Screws 1.25"
-	0K40-01026-0002	8	Deck Spring
-	0K65-01263-0000	1	Deck
-	0017-00103-0198	4	Hardware: Tinnerman Clip 1/4" ID
-	0017-00104-0072	8	Hardware: Flat Washer 0.562" OD
-	M051-00K58-A101	1	Belt Limit Label. Left
-	0K58-01400-0000	1	Striding Belt
-	0K58-01002-0000	1	Rear Roller - 3.5"
-	M051-00K58-A014	1	Label: Caution
-	0017-00101-1652	8	Hardware: Spring Mounting Screw 1"
-	0017-00101-1880	1	Hardware: Tension Bolts 3"
-	M051-00K58-A100	1	Label: Belt Limit: Right

Cables

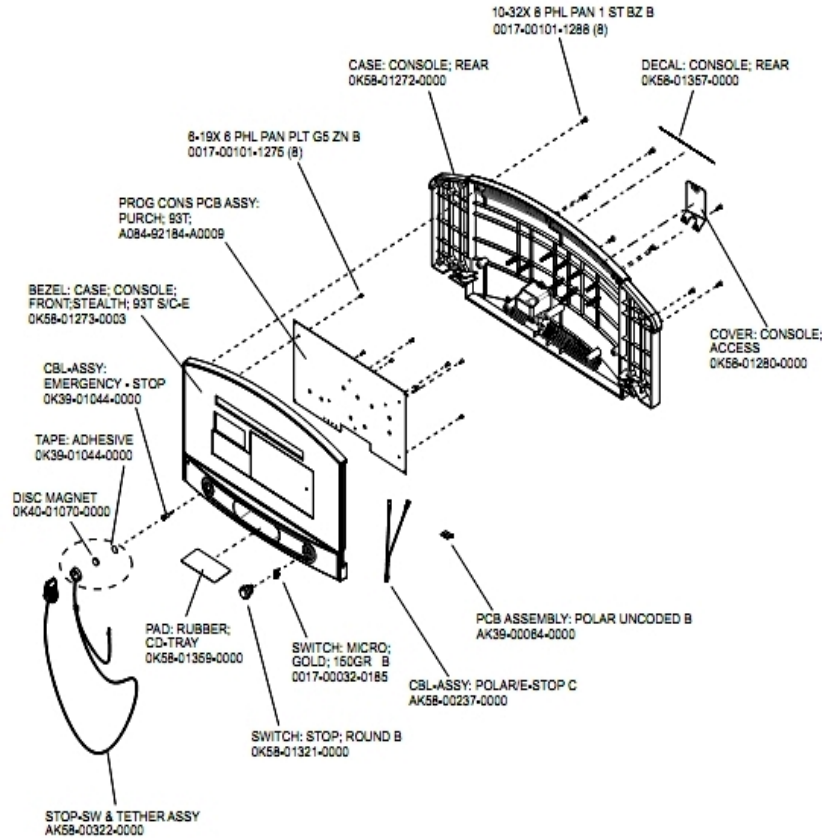
Ref #	Part Number	Qty	Description
-	0017-00003-0898	1	10 amp Line Filter (INT)
-	AK58-00237-0000	1	Cable-Assembly: Polar/E-Stop
-	AK58-00263-0000	1	Hi-Pot Jumper Cable
-	AK58-00083-0000	1	Cable Assembly
-	AK58-00034-0001	1	Console Power Cable
-	AK32-00020-0002	1	Coax Cable: 120"
-	AK58-00081-0000	1	Jumper Cable Assembly: Black - 4"
-	AK58-00041-0001	1	Heart Rate Sensor Cable
-	AK32-00078-0001	1	Power Extension Cable: 120"
-	AK58-00522-0000	1	Cable: Jumper; Power; LED Console
-	AK58-00210-0000	1	Transformer-Bracket Assembly
-	AK58-00032-0000	1	User Proximity Sensor Cable
-	AK58-00596-0001	1	Power Cable: 230-240V
-	AK58-00224-0001	1	Cable: MOV; Fliter
-	AK58-00036-0000	1	Cable-Assembly: Emergency-Stop Switch
-	0017-00003-0626	1	CIRCUIT-BREAKER:2A 200-240V
-	AK58-00027-0000	1	Limit Switch Cable
-	AK58-00082-0000	1	Jumper Cable Assembly: White - 6"
-	AK58-00524-0000	1	Cable: Thermal Adapter

Console



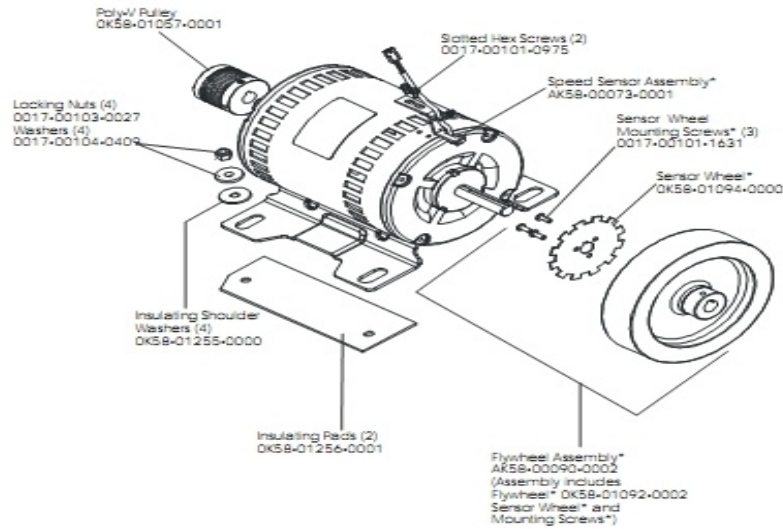
Ref #	Part Number	Qty	Description
-	AK58-00526-0001	1	Bezel Switch with Overlay: English/Metric
-	AK58-00481-0002	1	Console: English/Metric
-	OK58-01432-0001	1	Overlay English/Imperial

Console Components



Ref #	Part Number	Qty	Description
-	AK58-00322-0000	1	Tether Stop Assembly
-	0K58-01272-0000	1	Rear Console Case
-	0K58-01357-0000	1	Decal
-	0017-00101-1288	8	Hardware: Phillips Screw 0.5"
-	0017-00101-1275	9	Hardware: Phillips Screw 0.375"
-	AK58-00036-0000	1	Cable-Assembly: Emergency-Stop Switch
-	A084-92184-A009	1	PCB Assembly
-	0K58-01280-0000	1	Accessory Cover
-	0017-00032-0185	1	Micro Switch 150GR
-	118E-00001-0259	1	Wireless Receiver Module, Non-Coded
-	0K40-01070-0000	1	Magnetic Disk
-	0K58-01359-0000	1	Rubber Pad
-	AK58-00237-0000	1	Cable-Assembly: Polar/E-Stop
-	0K58-01273-0003	1	Front Console Case
-	0K39-01044-0000	1	Tape
-	0K58-01321-0000	1	Stop Switch

Drive Motor Assembly

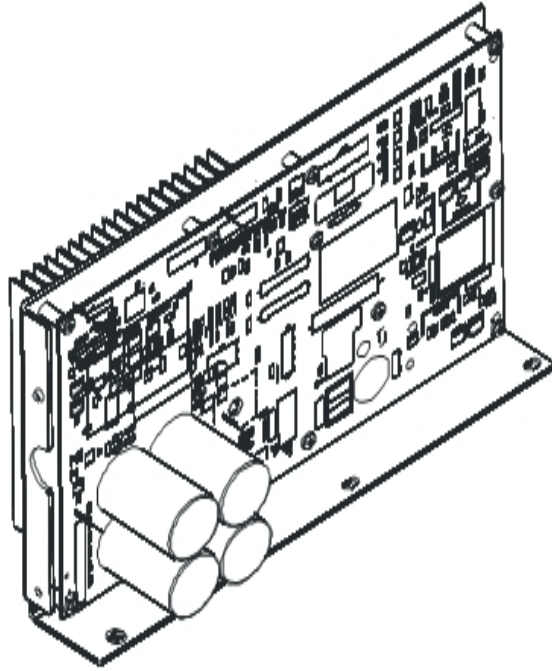


*used on the dual cable drive motor only

Description	Part Nos.	
	S/N TSB100000–TSB101105 (dual cable)	S/N TSB101106 and up (tapered shaft)
Drive Motor Assembly	AK58-00171-0001	AK58-00171-0002
Cast Iron Flywheel	OK58-01092-0002	OK58-01092-0004
Flywheel Setscrews/Bolt	0017-00101-0975 (uses setscrews)	0017-00101-1885 (uses bolt)
Flywheel Assembly	AK58-00090-0002	n/a

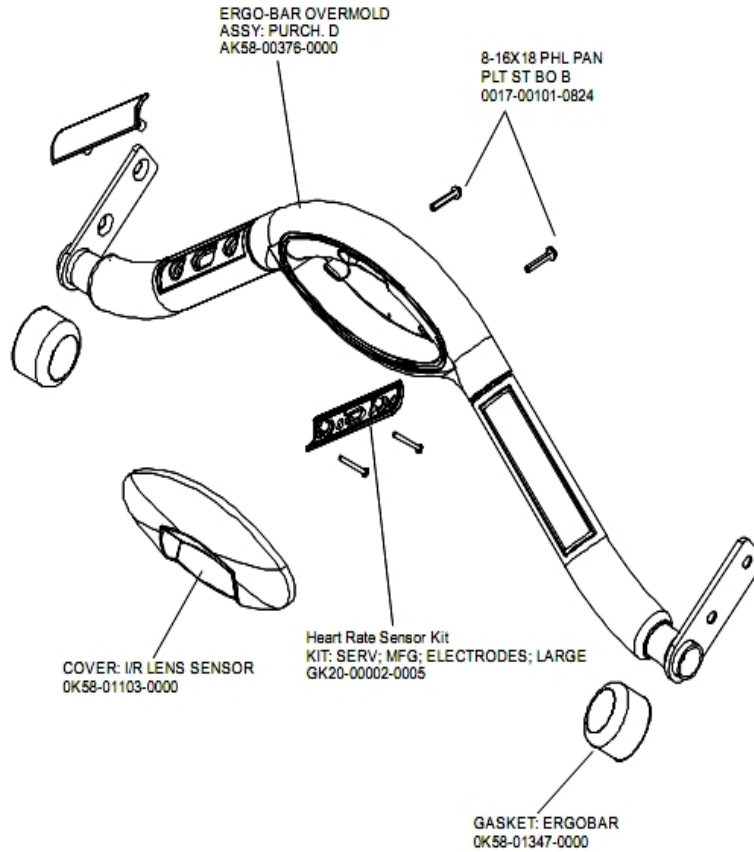
Ref #	Part Number	Qty	Description
-	OK58-01092-0002	1	Cast Iron Flywheel
-	0017-00101-1885	1	Hardware: Hex Bolt 1"
-	OK58-01255-0000	4	Hardware: Insulating Washers
-	AK58-00073-0001	1	Speed Sensor Assembly
-	OK58-01092-0004	1	Cast Iron Flywheel
-	OK58-01094-0000	1	Sensor Wheel
-	AK58-00090-0002	1	Flywheel Assembly
-	OK58-01386-0004	1	MOTOR: MAIN DRIVE, 230V/50HZ, W/TAPER
-	OK58-01256-0001	2	Insulating Pad
-	0017-00101-1631	3	Hardware: Sensor Wheel Mounting Screw
-	OK58-01057-0001	1	Drive Pulley - 1.971"
-	0017-00103-0027	4	Hardware: Locking Nut. 5/16" ID
-	0017-00104-0409	4	Hardware: Washer 1.125" OD
-	AK58-00171-0001	1	Drive Motor Assembly
-	0017-00101-0975	3	Hardware: Mounting Bolt 0.375"

DSP Controller Assembly



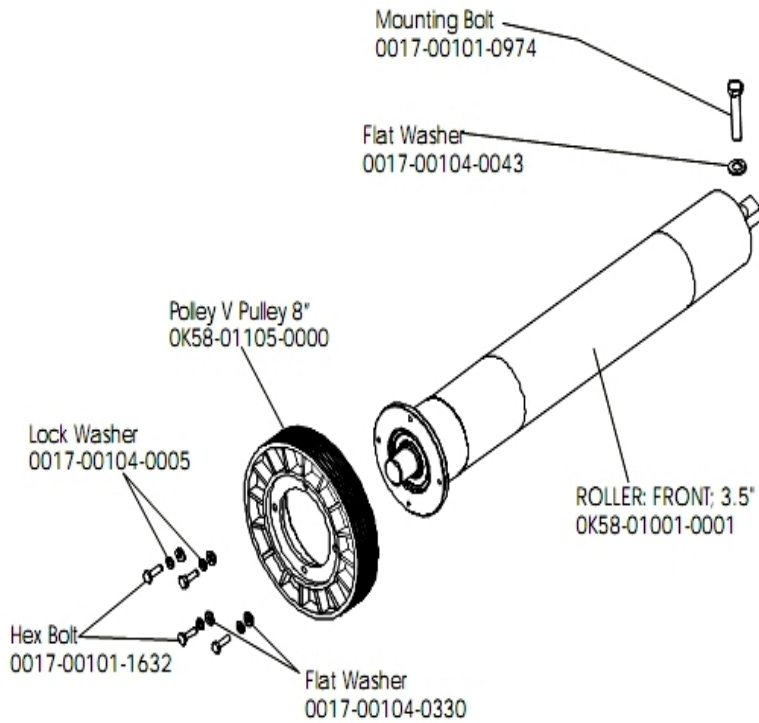
Ref #	Part Number	Qty	Description
-	GK58-00002-0120	1	Display Controller 200-240; LED
-	GK58-00002-0120	1	Display Controller 200-240; LED
-	GK58-00002-0120	1	Display Controller 200-240; LED
-	GK58-00002-0120	1	Display Controller 200-240; LED

Ergo Bar with Heart Rate Assembly



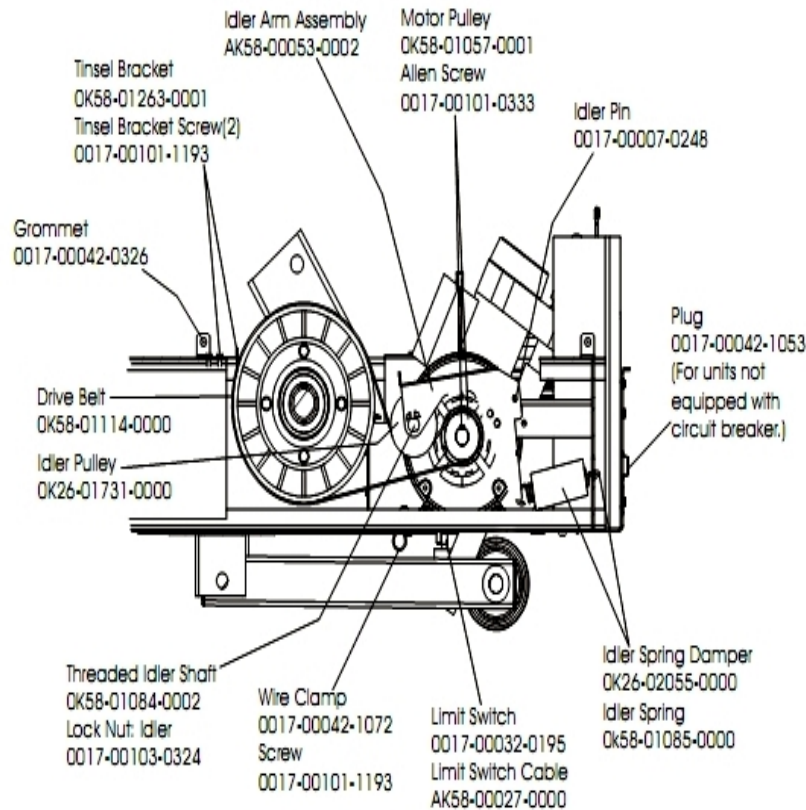
Ref #	Part Number	Qty	Description
-	AK58-00064-0000	1	I/R Lens Cover Assembly
-	GK20-00002-0005	1	Heart Rate Electrode Kit
-	AK60-00147-0000	1	ERGO Bar with Heart Rate Sensor
-	AK58-00376-0001	1	Ergo-Bar Overmold Assembly
-	0K58-01347-0000	1	ErgoBar Gasket
-	0017-00101-0824	1	Hardware: Screw 1.125"

Front Roller Assembly



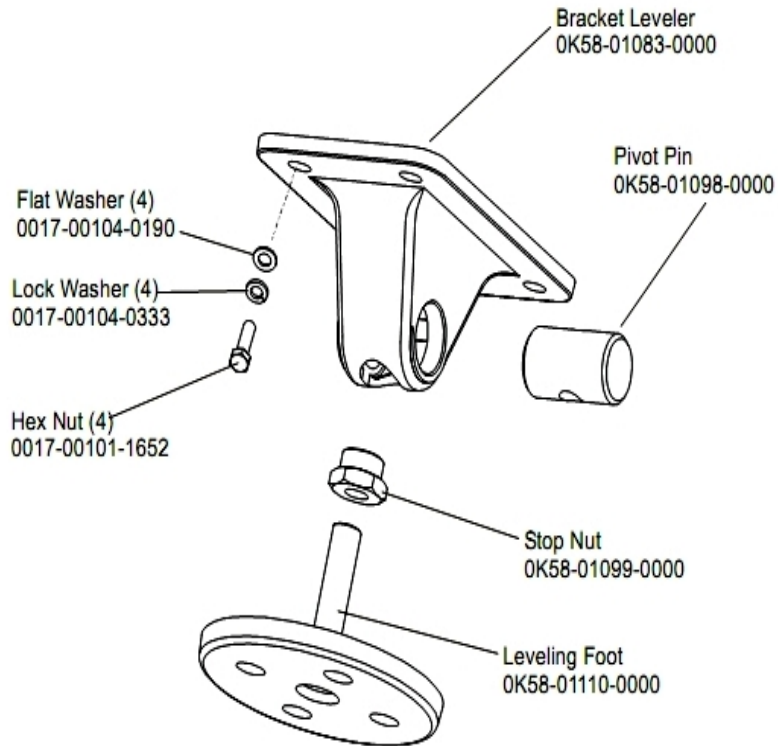
Ref #	Part Number	Qty	Description
-	0017-00101-0974	1	Hardware: Mounting Bolt 2"
-	0017-00104-0330	4	Hardware: Flat Washers 0.562" OD
-	AK58-00066-0000	1	Front Roller Assembly
-	OK58-01001-0001	1	Front Roller - 3.5"
-	OK58-01105-0000	1	Drive Pulley Poly V - 8"
-	0017-00104-0043	1	Hardware: Flat Washer 0.734" OD
-	0017-00104-0005	4	Hardware: Lock Washer 0.489" OD
-	0017-00101-1632	4	Hardware: Hex Bolt 0.875"

Idler Arm Assembly



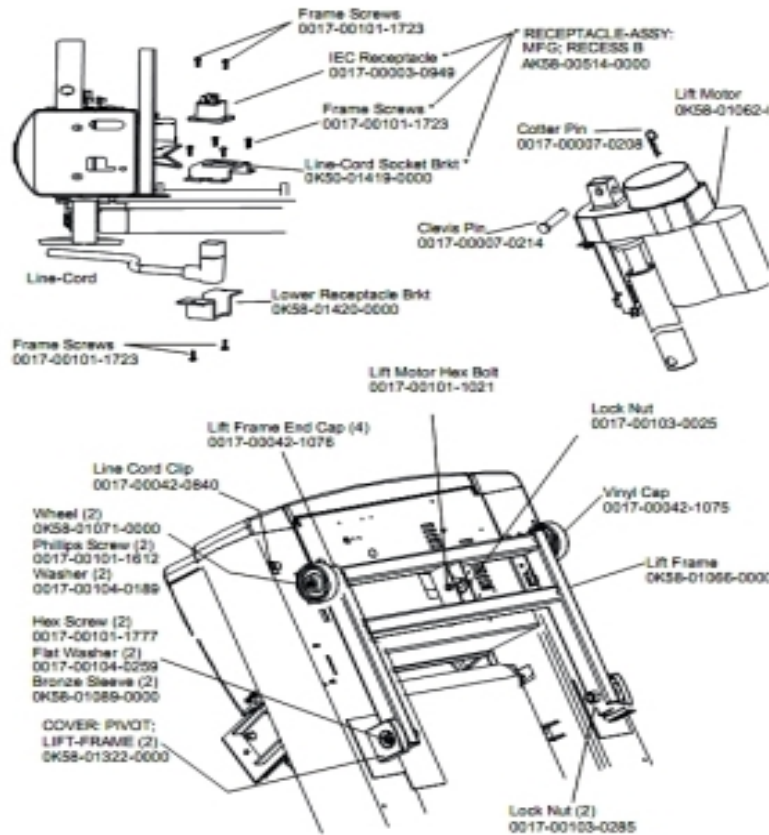
Ref #	Part Number	Qty	Description
-	OK58-01057-0001	1	Drive Pulley - 1.971"
-	OK58-01263-0001	1	Tinsel Bracket
-	0017-00103-0324	1	Hardware: Thin Lock Nut 3/8" ID
-	AK58-00027-0000	1	Limit Switch Cable
-	OK26-01731-0000	1	Plastic Idler 2 5/8" OD
-	OK26-02055-0000	1	Spring Damper
-	0017-00032-0195	1	Home Switch
-	0017-00042-1072	1	Hardware: Wire Clamp - 5/8"
-	OK58-01084-0002	1	Threaded Shaft
-	0017-00007-0248	1	Hardware: Locking Pin .31" D 2.125" L
-	0017-00042-0326	1	Hardware: Plastic Grommet
-	0017-00101-1193	3	Hardware: Screw 0.375"
-	OK58-01114-0000	1	Poly-V Drive Belt - 370J12
-	0017-00101-0333	1	Hardware: Screw 0.3125"
-	AK58-00053-0002	1	Idler Arm Assembly
-	OK58-01085-0000	1	Extension Spring
-	0017-00042-1053	1	Plug (For units not equipped with circuit breaker.)

Leg Leveler Assembly



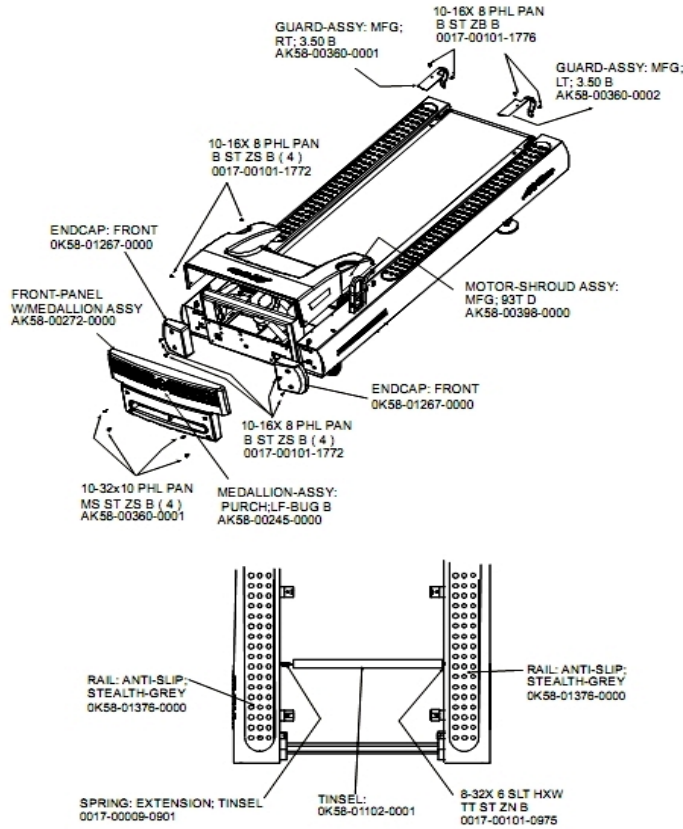
Ref #	Part Number	Qty	Description
-	AK58-00370-0000	1	Leveler Assembly
-	0017-00101-1652	4	Hardware: Spring Mounting Screw 1"
-	0017-00104-0333	4	Hardware: Washer 0.683" OD
-	OK58-01083-0000	1	Leveler Bracket
-	OK58-01110-0000	1	Leveler Foot
-	OK58-01098-0000	1	Hardware: Pivot Pin
-	0017-00104-0190	4	Hardware: Flat Washer 0.734" OD
-	OK58-01099-0000	1	Hardware: Stop Nut

Lift Frame, Lift Motor and IEC Receptacle



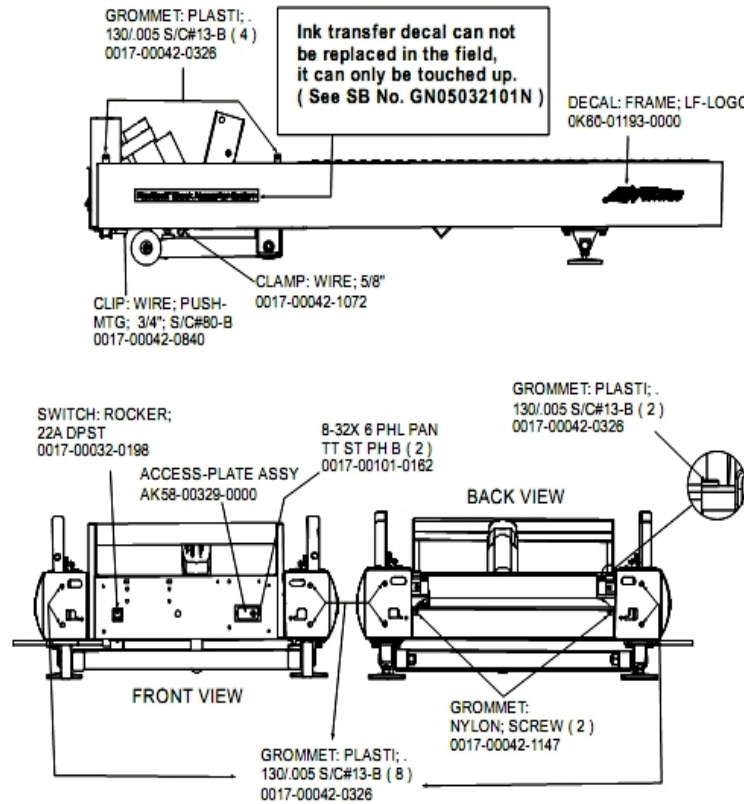
Ref #	Part Number	Qty	Description
-	AK58-00220-0000	1	LIFT-FRAME ASSY: MFG. C
-	0017-00042-1076	4	Lift Frame End Cap
-	0017-00007-0208	1	Hardware: Cotter Pin
-	0017-00101-1777	2	Hardware: Lift Frame Mounting Bolt 2.75"
-	0017-00104-0189	2	Hardware: Flat Washer 1" OD
-	0K58-01419-0000	1	Line Cord Socket Bracket
-	0K58-01322-0000	2	Lift Frame Pivot Cover
-	0017-00103-0285	2	Hardware: Nut 5/8" ID
-	0017-00101-1723	8	Hardware: Phillips Pan Screw 0.375"
-	AK58-00514-0000	1	Receptacle Assembly
-	0017-00101-1021	1	Hardware: Lift Motor Hex Bolt 2.5"
-	0017-00103-0025	1	Hardware: Locking Nut 3/8" ID
-	0017-00104-0259	2	Hardware: Washer 1.331" OD
-	0K58-01062-0000	1	Lift Motor - 120/60
-	0K58-01420-0000	1	Lower Receptacle Bracket
-	0K58-01089-0000	2	Bronze Sleeve Bushings
-	0017-00042-0840	1	Hardware: Push Mount Clip
-	0K58-01071-0000	2	Wheel
-	0017-00101-1612	2	Hardware: Phillips Screw 0.5"
-	0017-00003-0949	1	IEC Receptacle
-	0017-00007-0214	1	Hardware: Clevis Pin 3/8" D 1.75" L
-	0017-00042-1075	1	Vinyl Cap

Motor Cover, Front Cover, Front End Caps and Tinsel



Ref #	Part Number	Qty	Description
-	0017-00101-0975	1	Hardware: Mounting Bolt 0.375"
-	AK58-00360-0001	5	Rear Roller Guard: Right
-	0K58-01376-0000	4	Anti-Scuff Pad
-	0017-00101-1772	4	Hardware: Phillips Pan Screw 0.5"
-	AK58-00245-0000	1	Bug Medallion
-	AK58-00272-0000	1	Front Panel with Medallion
-	0K58-01102-0001	1	Anti-Static Tinsel
-	AK58-00398-0000	1	Motor Shroud Assembly
-	0K58-01267-0000	2	End Cap
-	0017-00009-0901	1	Tinsel Extension Spring
-	0017-00101-1776	1	Hardware: Mounting Screw 0.5"
-	AK58-00360-0002	1	Rear Roller Guard: Left

On-Off Switch, Access Plate and Grommets

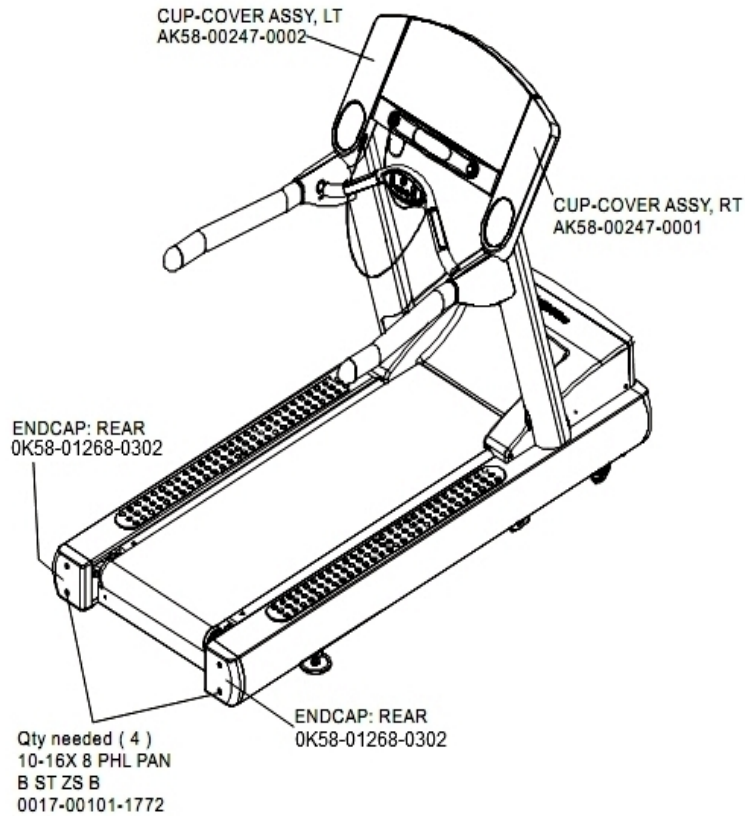


Ref #	Part Number	Qty	Description
-	0017-00101-0182	1	Hardware: Screw 0.375"
-	AK58-00329-0000	1	Access Panel Assembly
-	0017-00042-1072	1	Hardware: Wire Clamp - 5/8"
-	0K60-01193-0000	2	Decal: LF Logo
-	0017-00042-1147	1	Hardware: Nylon Grommet
-	0017-00042-0840	1	Hardware: Push Mount Clip
-	0017-00032-0198	1	On/Off Switch 22A
-	0017-00042-0326	3	Hardware: Plastic Grommet

Optional Line Cords

Ref #	Part Number	Qty	Description
-	0017-00003-0948	1	12' 220v Line Cord
-	0017-00003-0981	1	LINE-CORD: R/A; with PLUG 220/60 7.5'
-	0017-00003-0980	1	Line Cord: US Low Voltage 144"

Rear End Caps and Cup Holders



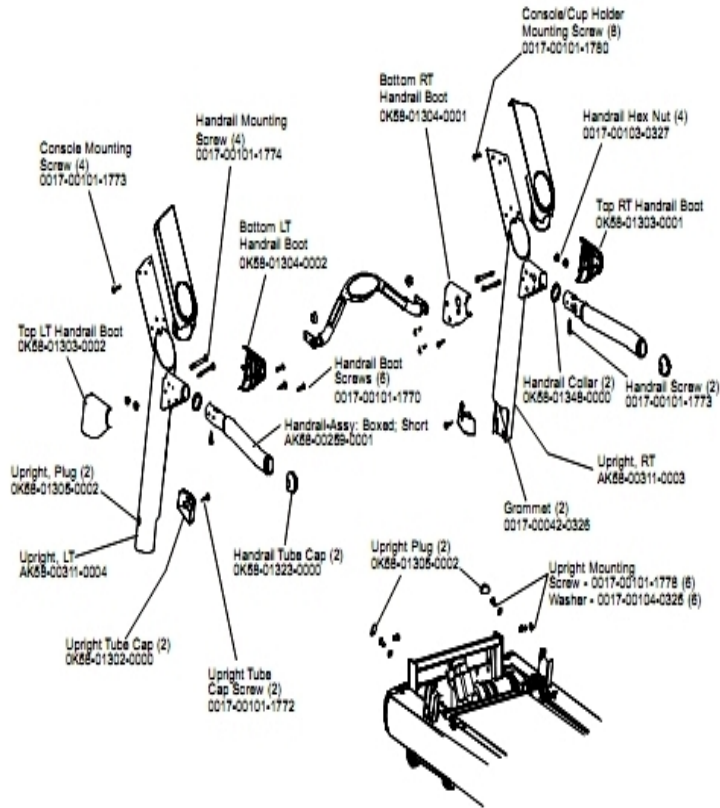
Ref #	Part Number	Qty	Description
-	OK58-01268-0302	2	ENDCAP: REAR; STEALTH D
-	AK58-00247-0001	1	Cup Holder Right
-	0017-00101-1772	8	Hardware: Phillips Pan Screw 0.5"
-	AK58-00247-0002	1	Cup Holder Left

References

Ref #	Part Number	Qty	Description
-	0017-00008-0205	1	5 oz Bottle - Arctic Silver
-	M051-00K58-B128	1	Service Instructions - Roller Guards
-	0K58-01376-0000	2	Anti-Scuff Pad
-	0017-00008-0204	1	Paint Spray Can - Arctic Silver
-	0017-00042-0840	1	Hardware: Push Mount Clip
-	0017-00101-1770	1	Hardware: Phillips Pan Screw 0.5"
-	AK58-00227-0000	1	Hardware Bag
-	0017-00101-1772	1	Hardware: Phillips Pan Screw 0.5"
-	AK58-00360-0002	1	Rear Roller Guard: Left
-	0017-00101-1778	1	Hardware: Hex Bolt 1"
-	0017-00008-0206	1	.33oz Pen - Arctic Silver
-	0017-00042-0326	3	Hardware: Plastic Grommet
-	0017-00042-1147	2	Hardware: Nylon Grommet
-	0017-00103-0327	1	Hardware: Hex Nut 5/16" ID
-	0K58-01305-0002	1	Upright Plug
-	0K58-01347-0000	1	ErgoBar Gasket
-	0017-00008-0210	1	Paint: Shadow-Gray Touch Up: .6 OZ Bottle
-	0017-00101-1776	4	Hardware: Mounting Screw 0.5"
-	0017-00104-0325	1	Hardware: Washer 0.873" OD
-	GK58-00002-0071	1	Anti-Slip Rail
-	0017-00008-0211	1	Paint: Shadow-Gray Touch Up: .6 OZ Bottle
-	0017-00101-1774	1	Hardware: TORX Screw 2.5"

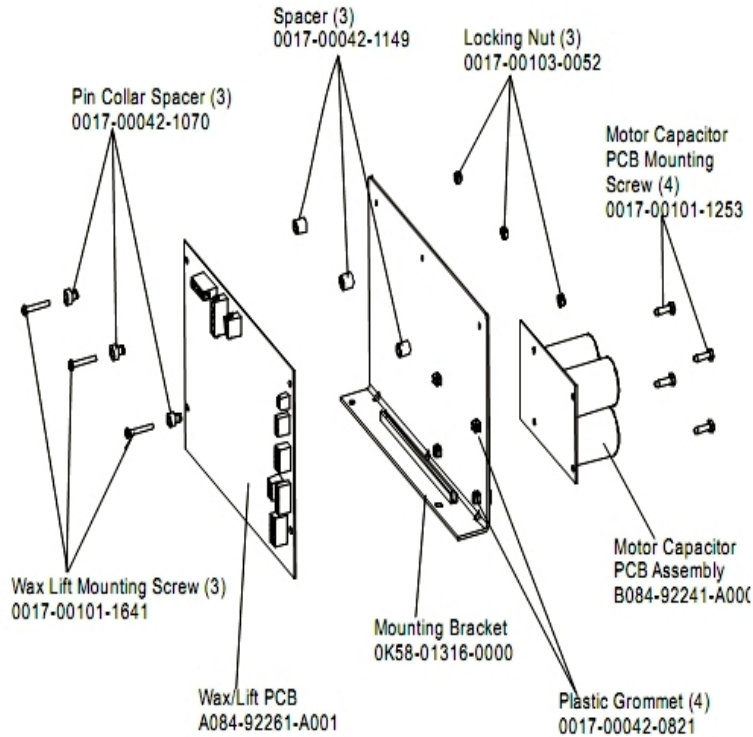
Ref #	Part Number	Qty	Description
-	0017-00101-1780	1	Hardware: Mounting Screws
-	0017-00101-1773	1	Hardware: TORX Screw 0.5"
-	0017-00009-1049	1	Torx Wrench
-	0K58-01348-0000	1	Handrail Collar
-	AK58-00360-0001	1	Rear Roller Guard: Right
-	GK58-00002-0095	1	Roller Guard kit

Uprights and Handrails



Ref #	Part Number	Qty	Description
-	0017-00101-1773	6	Hardware: TORX Screw 0.5"
-	0K58-01348-0000	2	Handrail Collar
-	0K58-01323-0000	2	Handrail Tube Cap
-	0K58-01303-0002	1	Top Left Handrail Boot
-	0K58-01304-0001	1	Bottom Right Handrail Boot
-	0K58-01304-0002	1	Bottom Left Handrail Boot
-	0017-00101-1772	2	Hardware: Phillips Pan Screw 0.5"
-	0K58-01303-0001	1	Top Right Handrail Boot
-	0017-00101-1778	6	Hardware: Hex Bolt 1"
-	0017-00042-0326	2	Hardware: Plastic Grommet
-	0017-00103-0327	4	Hardware: Hex Nut 5/16" ID
-	0K58-01302-0103	2	Cap: Upright Tube; Arctic Silver
-	0K58-01305-0002	4	Upright Plug
-	AK58-00259-0001	1	Handrail
-	AK58-00311-0004	1	Upright: Left
-	0017-00104-0325	6	Hardware: Washer 0.873" OD
-	0017-00101-1774	4	Hardware: TORX Screw 2.5"
-	0017-00101-1780	8	Hardware: Mounting Screws
-	AK58-00311-0003	1	Upright: Right
-	0017-00101-1770	6	Hardware: Phillips Pan Screw 0.5"

Wax/Lift Assembly



Ref #	Part Number	Qty	Description
-	0017-00101-1253	4	Hardware: Screw
-	0017-00101-1641	3	Hardware: Phillips Pan Screw
-	A084-92261-A001	1	Wax/Lift PCB
-	0017-00042-0821	4	Hardware: Plastic Grommet
-	0017-00042-1070	3	Pin Collar Spacer
-	0017-00042-1149	3	Spacer
-	0K58-01316-0000	1	Mounting Bracket
-	0017-00103-0052	3	Hardware: Locking Nut ID
-	B084-92241-A000	1	Motor Capacitor PCB Assembly

