

# 93T Treadmill - 4HP AC - Arctic Silver

93T-0102-03

## Parts Manual

1/5/2019 8:08:30 AM



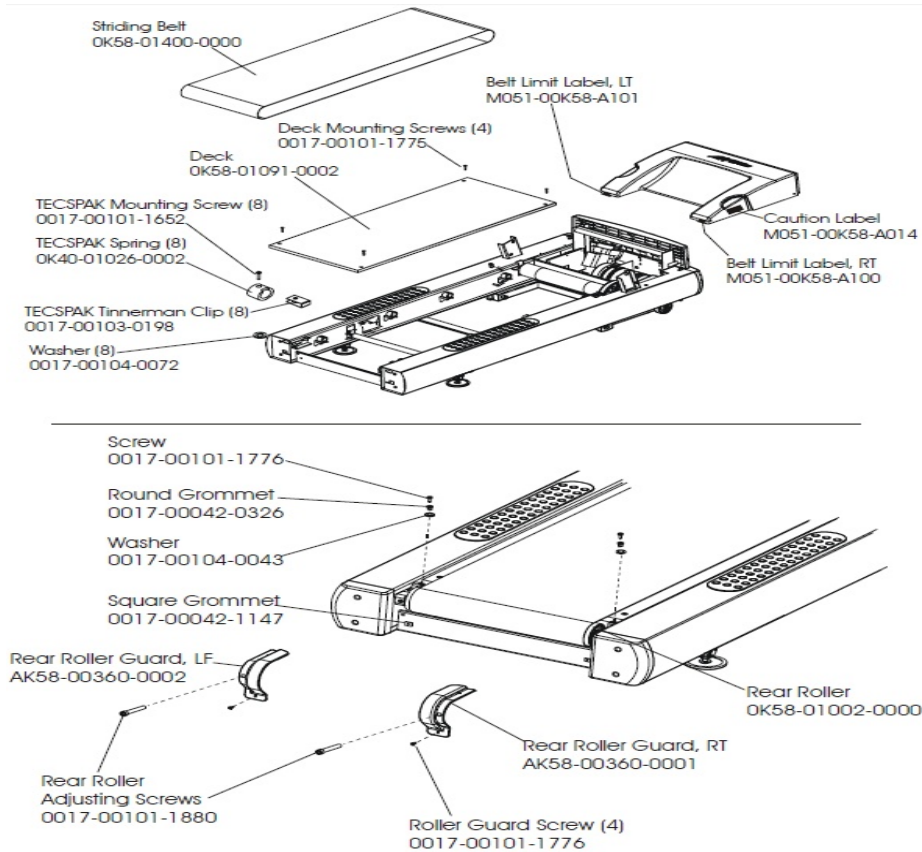
*LifeFitness*  
WHAT WE LIVE FOR

**Table of Contents**

---

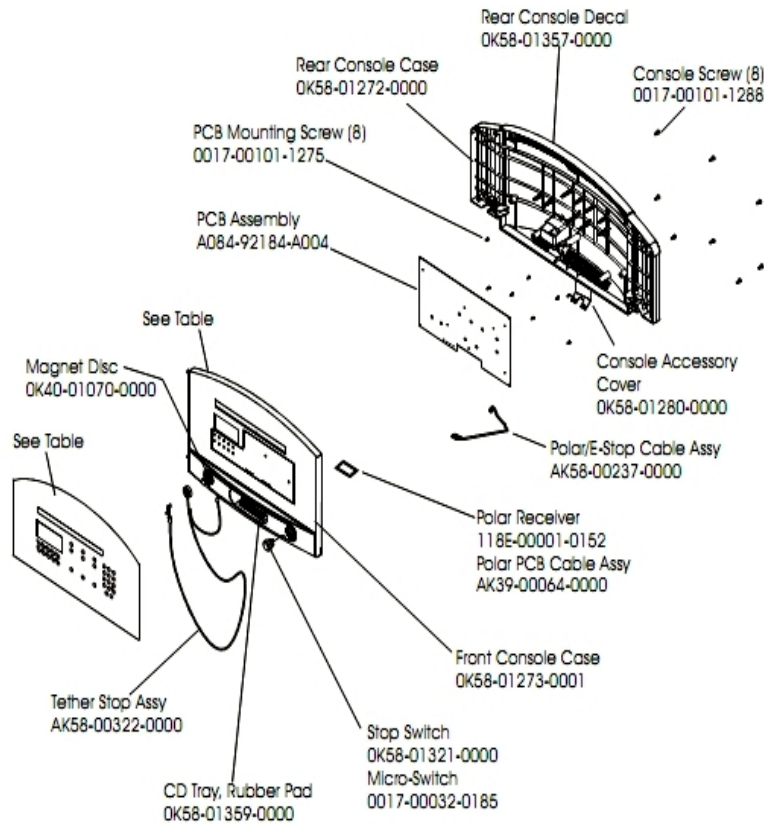
[Belt, Deck and Rear Roller.....](#)3  
[Console and Related Components.....](#)4  
[Drive Motor Assembly.....](#)5  
[Front Roller Assembly.....](#)6  
[Idler Arm Assembly and Static Brush.....](#)7  
[Leveler Assembly.....](#)8  
[Lift Frame and Lift Motor.....](#)9  
[Motor Controller Assembly.....](#)10  
[Motor Cover, Front Cover and Front End Caps.....](#)11  
[Power Components Schematic.....](#)12  
[Rear End Caps and Cup Holders.....](#)13  
[References.....](#)14  
[Scuff Pad, Tinsel and Frame Tag Board.....](#)15  
[Uprights, Handrails and Ergo Bar.....](#)16  
[Wax/Lift Assembly.....](#)17

**Belt, Deck and Rear Roller**



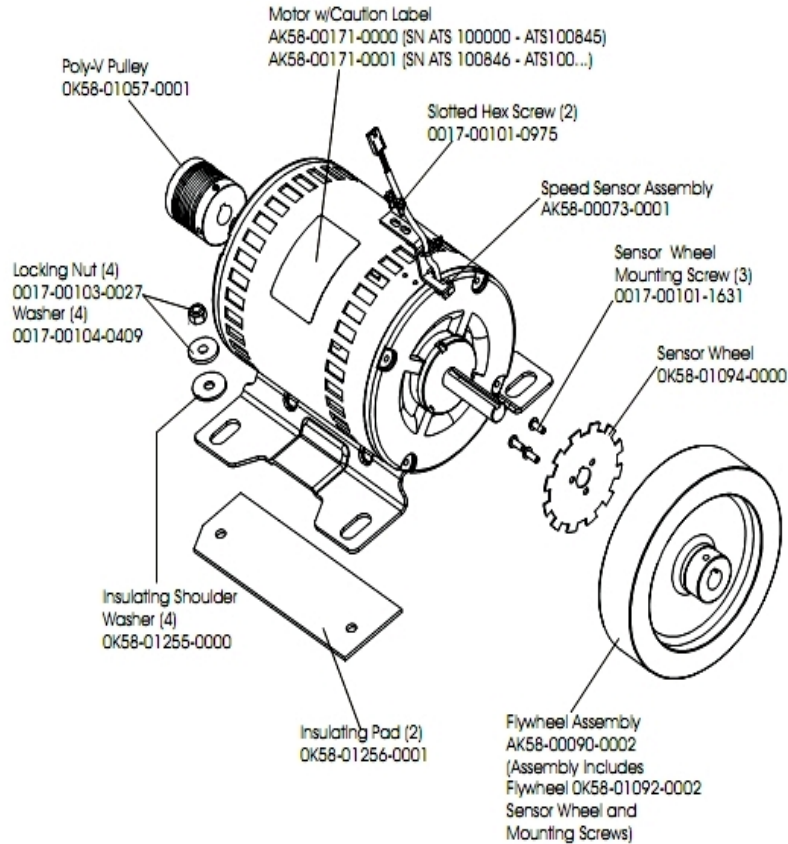
Ref #	Part Number	Qty	Description
-	0017-00101-1775	4	Hardware: Deck Screws 1.25"
-	M051-00K58-A101	1	Belt Limit Label. Left
-	OK65-01263-0000	1	Deck
-	AK58-00360-0001	1	Rear Roller Guard: Right
-	0017-00103-0198	8	Hardware: Tinnerman Clip 1/4" ID
-	0017-00104-0072	8	Hardware: Flat Washer 0.562" OD
-	M051-00K58-A100	1	Label: Belt Limit: Right
-	OK58-01400-0000	1	Striding Belt
-	AK58-00360-0002	1	Rear Roller Guard: Left
-	0017-00042-0326	2	Hardware: Plastic Grommet
-	0017-00042-1147	2	Hardware: Nylon Grommet
-	0017-00101-1652	8	Hardware: Spring Mounting Screw 1"
-	0017-00101-1880	1	Hardware: Tension Bolts 3"
-	0017-00104-0043	2	Hardware: Flat Washer 0.734" OD
-	OK58-01002-0000	1	Rear Roller - 3.5"
-	M051-00K58-A014	1	Label: Caution
-	0017-00101-1776	6	Hardware: Mounting Screw 0.5"
-	OK40-01026-0002	8	Deck Spring

## Console and Related Components



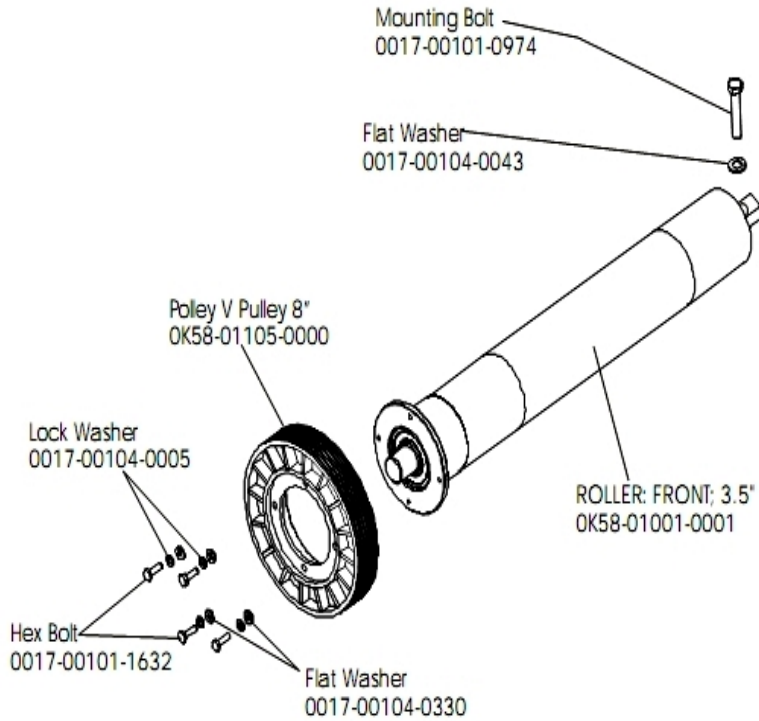
Ref #	Part Number	Qty	Description
-	OK58-01321-0000	1	Stop Switch
-	AK58-00322-0000	1	Tether Stop Assembly
-	118E-00001-0244	1	Heart Rate Receiver
-	AK58-00237-0000	1	Cable-Assembly: Polar/E-Stop
-	OK58-01359-0000	1	Rubber Pad
-	OK40-01070-0000	1	Magnetic Disk
-	118E-00001-0259	1	Wireless Receiver Module, Non-Coded
-	0017-00032-0185	1	Micro Switch 150GR
-	OK58-01280-0000	1	Accessory Cover
-	0017-00101-1275	8	Hardware: Phillips Screw 0.375"
-	0017-00101-1288	8	Hardware: Phillips Screw 0.5"
-	OK58-01357-0000	1	Decal
-	A084-92184-A004	1	PCB Assembly
-	AK58-00204-0001	1	Overlay Switch Bezel Assembly English/Metric
-	AK58-00405-0001	1	Console: English/Metric
-	OK58-01272-0000	1	Rear Console Case
-	OK58-01273-0001	1	Front Console Case

# Drive Motor Assembly



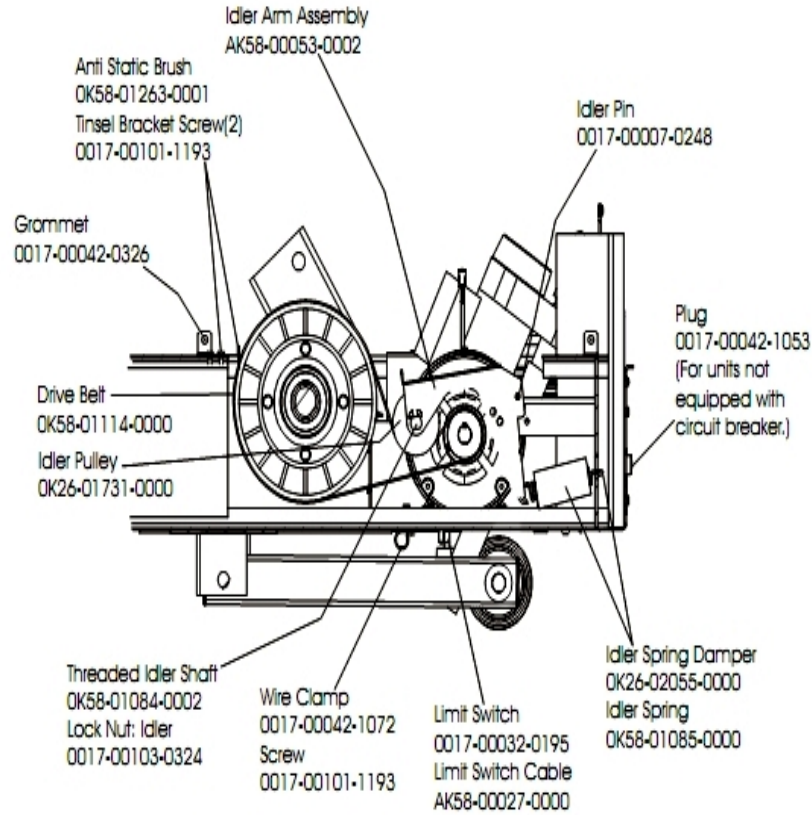
Ref #	Part Number	Qty	Description
-	AK58-00171-0001	2	Drive Motor Assembly
-	0017-00101-0975	2	Hardware: Mounting Bolt 0.375"
-	0017-00103-0027	4	Hardware: Locking Nut. 5/16" ID
-	OK58-01057-0001	1	Drive Pulley - 1.971"
-	OK58-01255-0000	4	Hardware: Insulating Washers
-	0017-00104-0409	4	Hardware: Washer 1.125" OD
-	OK58-01094-0000	1	Sensor Wheel
-	AK58-00090-0002	1	Flywheel Assembly
-	OK58-01256-0001	2	Insulating Pad
-	0017-00101-1631	3	Hardware: Sensor Wheel Mounting Screw
-	AK58-00073-0001	1	Speed Sensor Assembly

## Front Roller Assembly



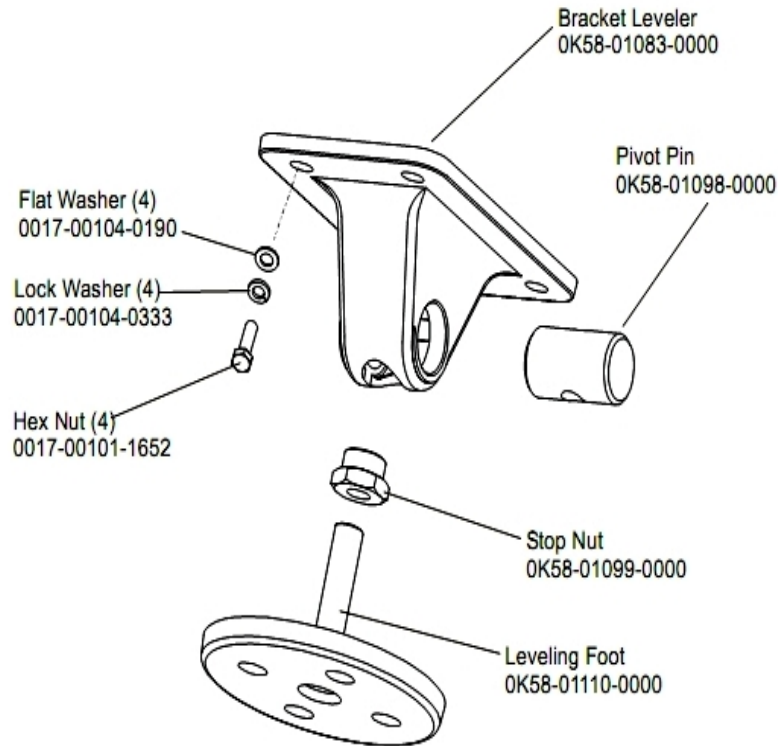
Ref #	Part Number	Qty	Description
-	0017-00101-0974	1	Hardware: Mounting Bolt 2"
-	0017-00101-1632	4	Hardware: Hex Bolt 0.875"
-	0K58-01105-0000	1	Drive Pulley Poly V - 8"
-	0K58-01001-0001	1	Front Roller - 3.5"
-	0017-00104-0005	4	Hardware: Lock Washer 0.489" OD
-	0017-00104-0330	4	Hardware: Flat Washers 0.562" OD
-	AK58-00066-0000	1	Front Roller Assembly
-	0017-00104-0043	1	Hardware: Flat Washer 0.734" OD

## Idler Arm Assembly and Static Brush



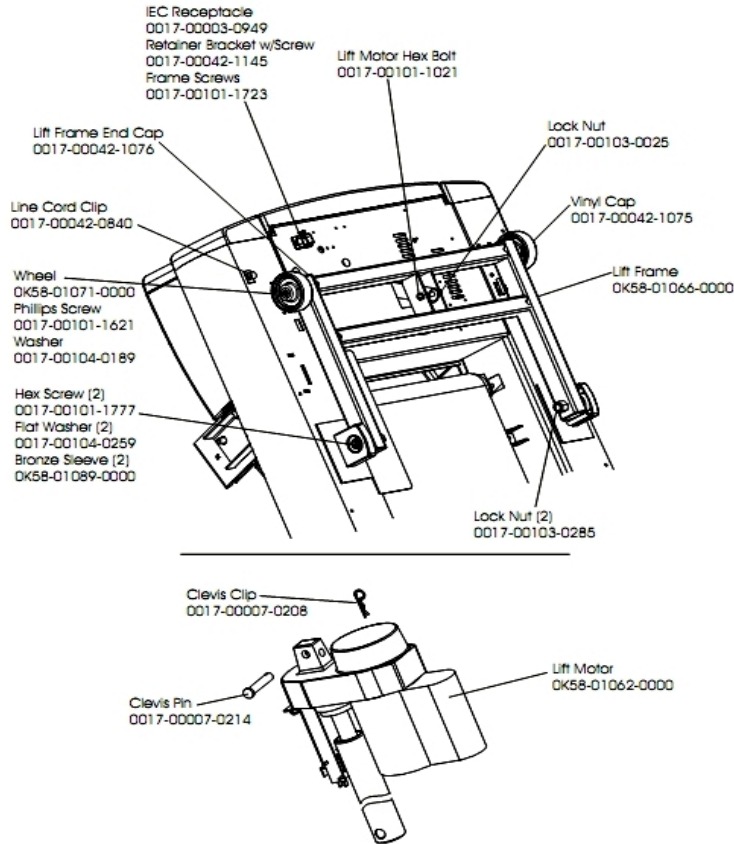
Ref #	Part Number	Qty	Description
-	0017-00042-1053	1	Plug (For units not equipped with circuit breaker.)
-	OK58-01263-0001	1	Tinsel Bracket
-	AK58-00027-0000	1	Limit Switch Cable
-	OK26-01731-0000	1	Plastic Idler 2 5/8" OD
-	OK26-02055-0000	1	Spring Damper
-	0017-00032-0195	1	Home Switch
-	0017-00042-1072	1	Hardware: Wire Clamp - 5/8"
-	0017-00007-0248	1	Hardware: Locking Pin .31" D 2.125" L
-	0017-00042-0326	1	Hardware: Plastic Grommet
-	0017-00101-1193	3	Hardware: Screw 0.375"
-	OK58-01114-0000	1	Poly-V Drive Belt - 370J12
-	OK58-01084-0002	1	Threaded Shaft
-	AK58-00053-0002	1	Idler Arm Assembly
-	OK58-01085-0000	1	Extension Spring
-	0017-00103-0324	1	Hardware: Thin Lock Nut 3/8" ID

## Leveler Assembly



Ref #	Part Number	Qty	Description
-	OK58-01098-0000	1	Hardware: Pivot Pin
-	0017-00104-0190	4	Hardware: Flat Washer 0.734" OD
-	OK58-01099-0000	1	Hardware: Stop Nut
-	0017-00101-1652	4	Hardware: Spring Mounting Screw 1"
-	OK58-01083-0000	1	Leveler Bracket
-	OK58-01110-0000	1	Leveler Foot
-	0017-00104-0333	4	Hardware: Washer 0.683" OD
-	AK58-00370-0000	1	Leveler Assembly

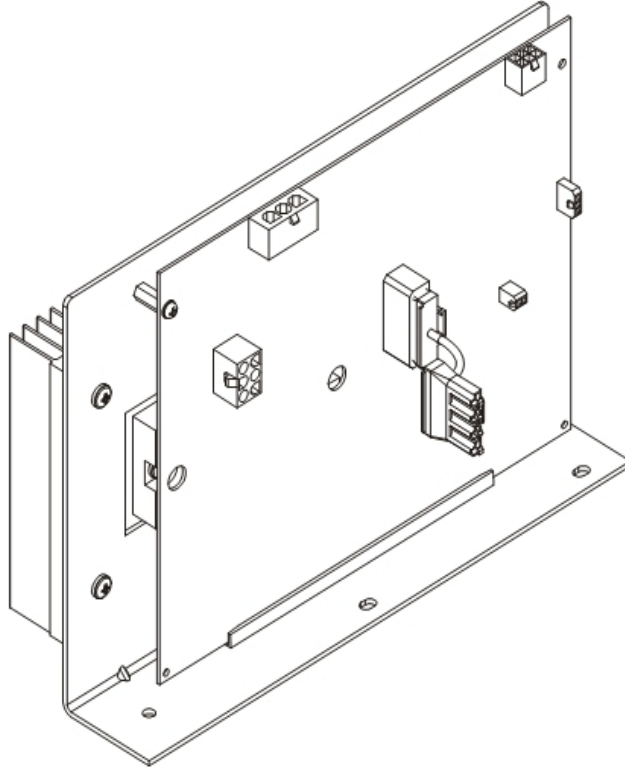
## Lift Frame and Lift Motor



Ref #	Part Number	Qty	Description
-	0017-00042-1076	2	Lift Frame End Cap
-	0017-00103-0285	2	Hardware: Nut 5/8" ID
-	0017-00007-0208	1	Hardware: Cotter Pin
-	0017-00101-1777	2	Hardware: Lift Frame Mounting Bolt 2.75"
-	0017-00104-0189	2	Hardware: Flat Washer 1" OD
-	0017-00101-1723	2	Hardware: Phillips Pan Screw 0.375"
-	0017-00042-1145	1	Power Cord Retainer
-	0017-00101-1021	1	Hardware: Lift Motor Hex Bolt 2.5"
-	0017-00104-0259	2	Hardware: Washer 1.331" OD
-	0017-00103-0025	1	Hardware: Locking Nut 3/8" ID
-	AK58-00220-0000	1	LIFT-FRAME ASSY: MFG. C
-	0K58-01062-0000	1	Lift Motor - 120/60
-	0K58-01089-0000	2	Bronze Sleeve Bushings
-	0017-00042-0840	1	Hardware: Push Mount Clip
-	0K58-01071-0000	2	Wheel
-	0017-00101-1621	2	Hardware: Phillips Screw 0.5"
-	0017-00003-0949	1	IEC Receptacle
-	0017-00007-0214	1	Hardware: Clevis Pin 3/8" D 1.75" L
-	0017-00042-1075	1	Vinyl Cap

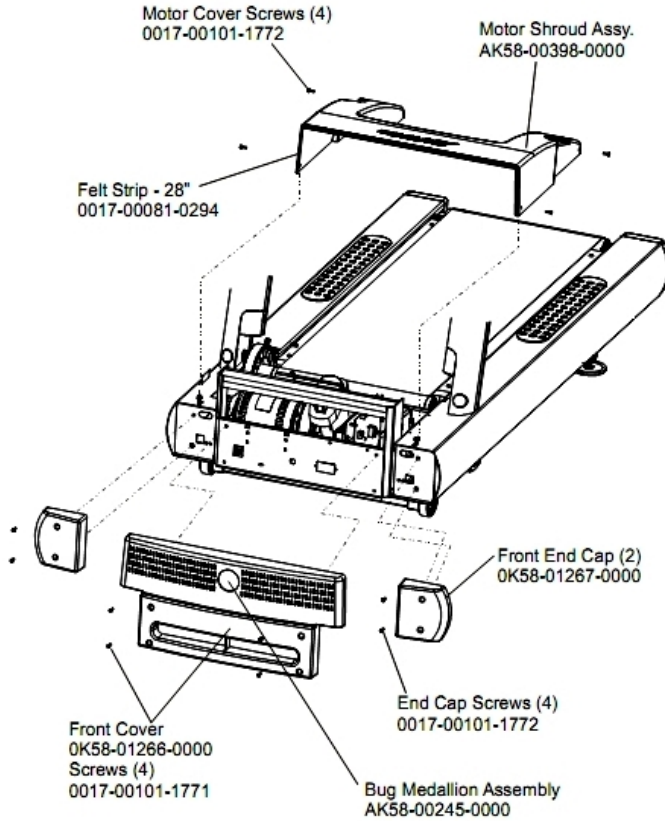
## Motor Controller Assembly

---



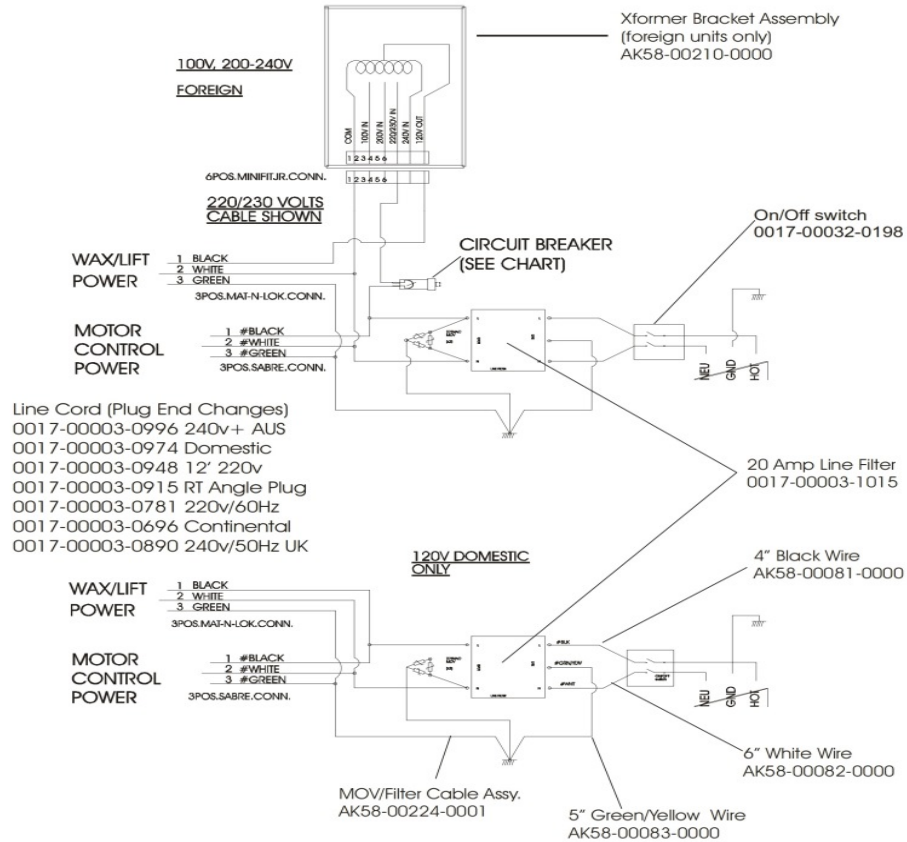
Ref #	Part Number	Qty	Description
-	GK65-00002-0019	2	Motor Controller Assembly (200-240V)

## Motor Cover, Front Cover and Front End Caps



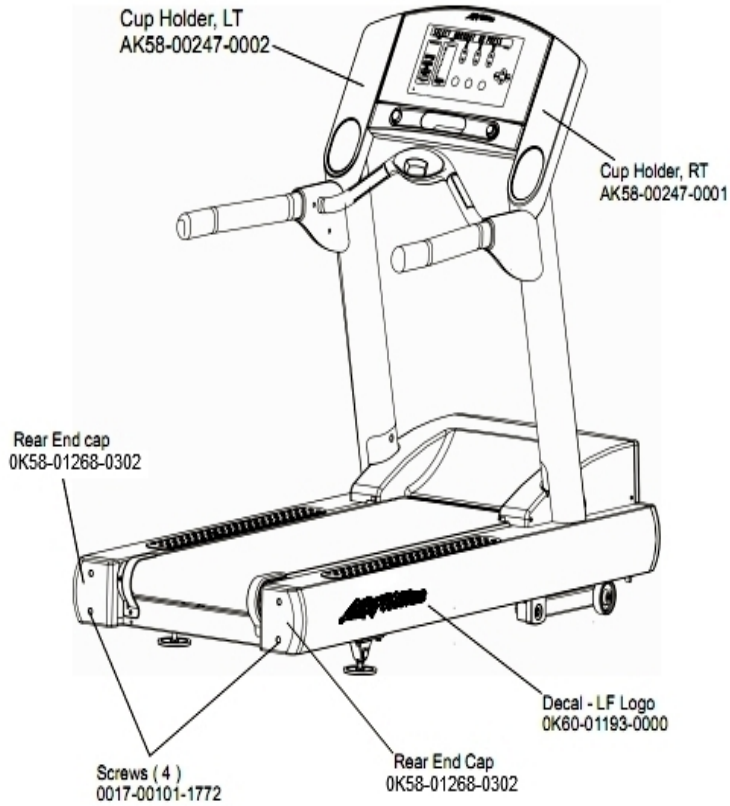
Ref #	Part Number	Qty	Description
-	0017-00101-1772	8	Hardware: Phillips Pan Screw 0.5"
-	AK58-00245-0000	1	Bug Medallion
-	0017-00101-1771	4	Hardware: Phillips Pan Screw
-	AK58-00398-0000	1	Motor Shroud Assembly
-	OK58-01266-0000	1	Front Cover
-	OK58-01267-0000	2	End Cap
-	0017-00081-0294	1	Felt Strip - 28"

### Power Components Schematic



Ref #	Part Number	Qty	Description
-	AK58-00081-0000	1	Jumper Cable Assembly: Black - 4"
-	AK58-00082-0000	1	Jumper Cable Assembly: White - 6"
-	AK58-00083-0000	1	Cable Assembly
-	0017-00032-0198	1	On/Off Switch 22A
-	0017-00003-1015	1	20 amp Line Filter (DOM)
-	AK58-00224-0001	1	Cable: MOV; Fliter
-	0017-00003-0890	1	Line Cord: UK
-	AK58-00210-0000	1	Transformer-Bracket Assembly

## Rear End Caps and Cup Holders



Ref #	Part Number	Qty	Description
-	0017-00101-1772	4	Hardware: Phillips Pan Screw 0.5"
-	AK58-00247-0001	1	Cup Holder Right
-	AK58-00247-0002	1	Cup Holder Left
-	OK58-01268-0302	2	ENDCAP: REAR; STEALTH D
-	OK60-01193-0000	2	Decal: LF Logo

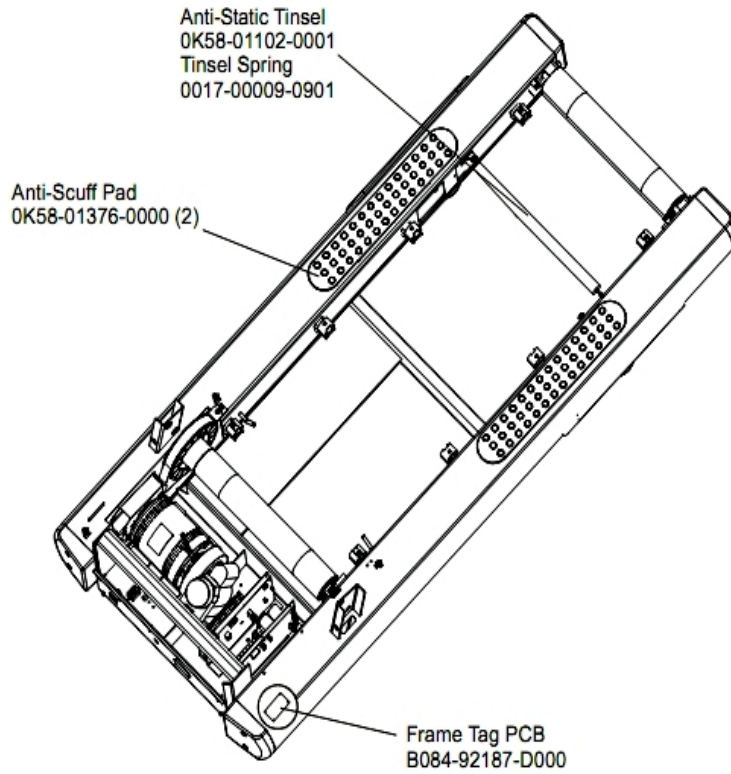
## References

---

Ref #	Part Number	Qty	Description
-	0017-00008-0204	1	Paint Spray Can - Arctic Silver
-	AK58-00227-0000	1	Hardware Bag
-	0017-00008-0205	1	5 oz Bottle - Arctic Silver
-	0017-00008-0206	1	.33oz Pen - Arctic Silver

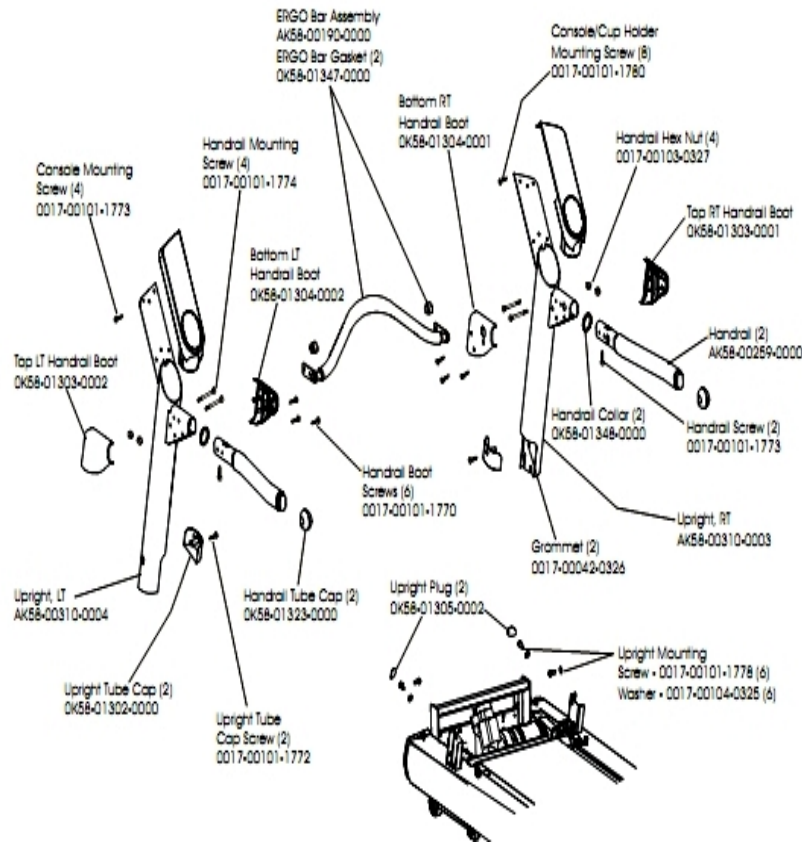
## Scuff Pad, Tinsel and Frame Tag Board

---



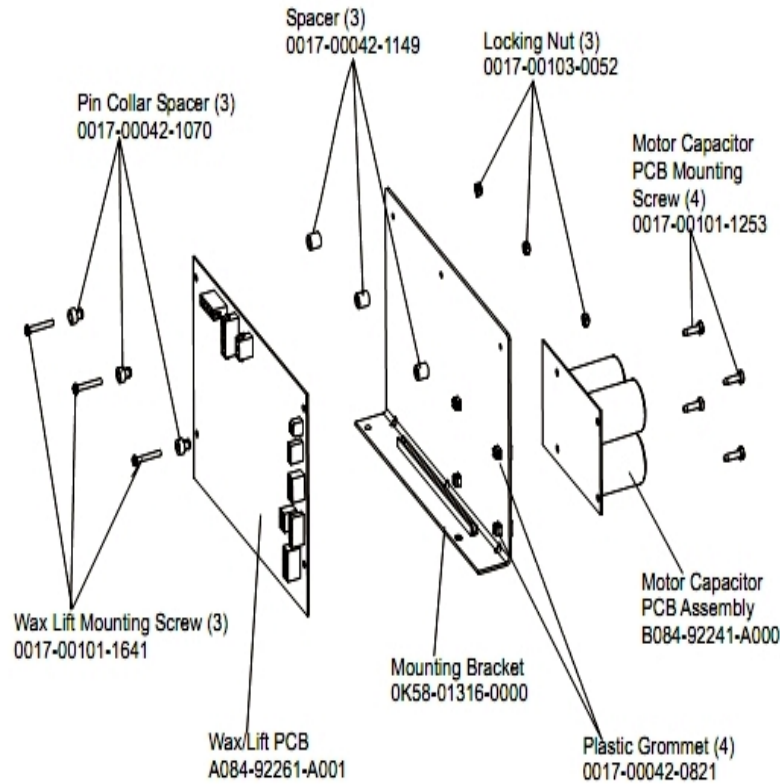
Ref #	Part Number	Qty	Description
-	0017-00009-0901	1	Tinsel Extension Spring
-	OK58-01376-0000	2	Anti-Scuff Pad
-	B084-92187-D000	1	Frame Tag PCB
-	OK58-01102-0001	1	Anti-Static Tinsel

## Uprights, Handrails and Ergo Bar



Ref #	Part Number	Qty	Description
-	0K58-01348-0000	2	Handrail Collar
-	0K58-01303-0001	1	Top Right Handrail Boot
-	0017-00101-1772	2	Hardware: Phillips Pan Screw 0.5"
-	0K58-01304-0002	1	Bottom Left Handrail Boot
-	0K58-01304-0001	1	Bottom Right Handrail Boot
-	AK58-00259-0000	2	Handrail
-	0K58-01303-0002	1	Top Left Handrail Boot
-	0K58-01323-0000	2	Handrail Tube Cap
-	0017-00101-1770	6	Hardware: Phillips Pan Screw 0.5"
-	AK58-00190-0000	1	Ergo Bar Assembly
-	0017-00101-1773	6	Hardware: TORX Screw 0.5"
-	0K58-01347-0000	2	ErgoBar Gasket
-	0017-00101-1780	8	Hardware: Mounting Screws
-	0017-00101-1774	4	Hardware: TORX Screw 2.5"
-	0017-00104-0325	6	Hardware: Washer 0.873" OD
-	0017-00101-1778	6	Hardware: Hex Bolt 1"
-	AK58-00310-0003	1	Upright: Right
-	0K58-01305-0002	2	Upright Plug
-	0K58-01302-0103	2	Cap: Upright Tube; Arctic Silver
-	0017-00103-0327	4	Hardware: Hex Nut 5/16" ID
-	0017-00042-0326	2	Hardware: Plastic Grommet
-	AK58-00311-0004	1	Upright: Left

## Wax/Lift Assembly



Ref #	Part Number	Qty	Description
-	0017-00042-0821	4	Hardware: Plastic Grommet
-	B084-92241-A000	1	Motor Capacitor PCB Assembly
-	0K58-01316-0000	1	Mounting Bracket
-	0017-00101-1641	3	Hardware: Phillips Pan Screw
-	0017-00042-1149	3	Spacer
-	0017-00103-0052	3	Hardware: Locking Nut ID
-	0017-00042-1070	3	Pin Collar Spacer
-	0017-00101-1253	4	Hardware: Screw
-	AK58-00243-0000	1	Wax/Lift Assembly
-	A084-92261-A001	1	Wax/Lift PCB

