

93T Treadmill - 4HP AC

93T-0102-06

Parts Manual

1/5/2019 8:08:31 AM

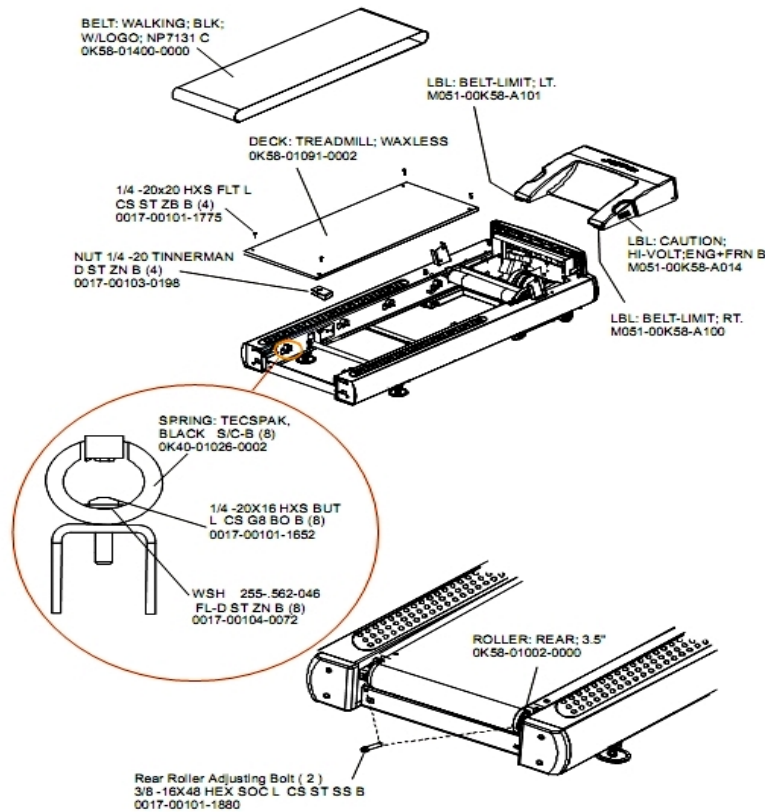


LifeFitness
WHAT WE LIVE FOR

Table of Contents

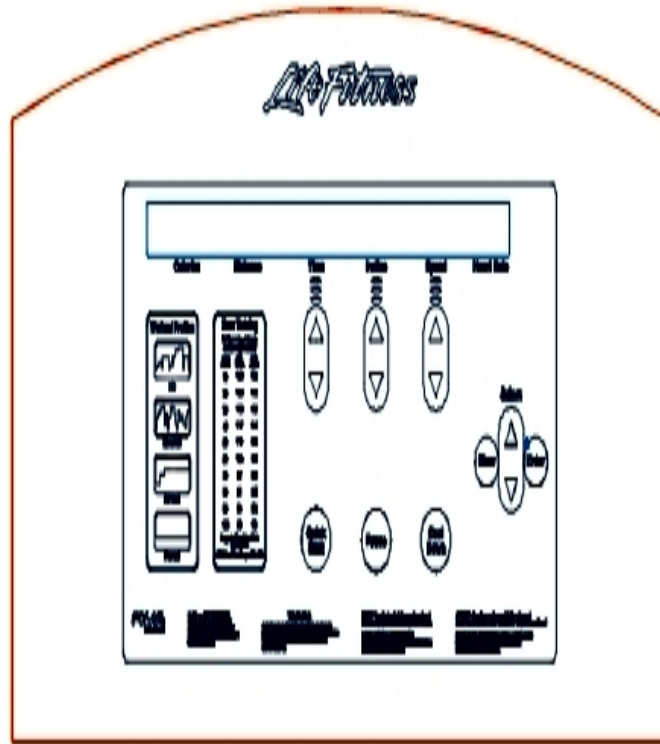
Belt, Deck and Rear Roller.....	3
Console.....	4
Console Components.....	5
Drive Motor Assembly.....	6
DSP Controller Assembly.....	7
Ergo Bar with Lifepulse.....	8
Front Roller Assembly.....	9
Idler Arm Assembly.....	10
Leg Leveler Assembly.....	11
Lift Frame and Lift Motor.....	12
Line Cords.....	13
Motor Cover, Front Cover and Front End Caps.....	14
On-Off Switch, Access Plate and Grommets.....	15
Rear End Caps and Cup Holders.....	16
References.....	17
Scuff Pad and Tinsel.....	19
Unlabeled Parts.....	20
Uprights, Handrails and Ergo Bar.....	21

Belt, Deck and Rear Roller



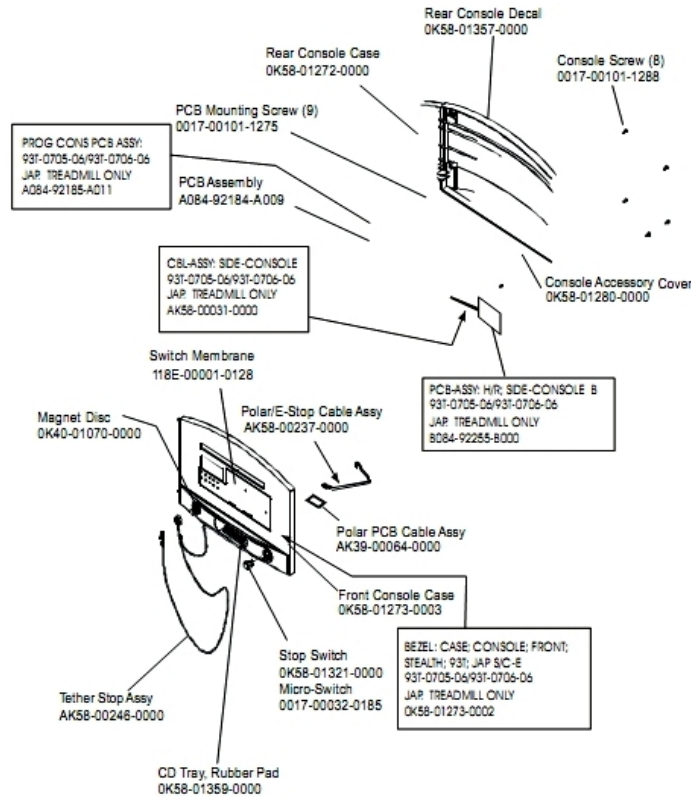
Ref #	Part Number	Qty	Description
-	0K58-01002-0000	1	Rear Roller - 3.5"
-	M051-00K58-A014	1	Label: Caution
-	M051-00K58-A100	1	Label: Belt Limit: Right
-	0017-00104-0072	8	Hardware: Flat Washer 0.562" OD
-	0017-00101-1775	4	Hardware: Deck Screws 1.25"
-	0K58-01400-0000	1	Striding Belt
-	0K40-01026-0002	8	Deck Spring
-	0017-00101-1652	8	Hardware: Spring Mounting Screw 1"
-	0017-00101-1880	1	Hardware: Tension Bolts 3"
-	M051-00K58-A101	1	Belt Limit Label. Left
-	0K65-01263-0000	1	Deck
-	0017-00103-0198	4	Hardware: Tinnerman Clip 1/4" ID

Console



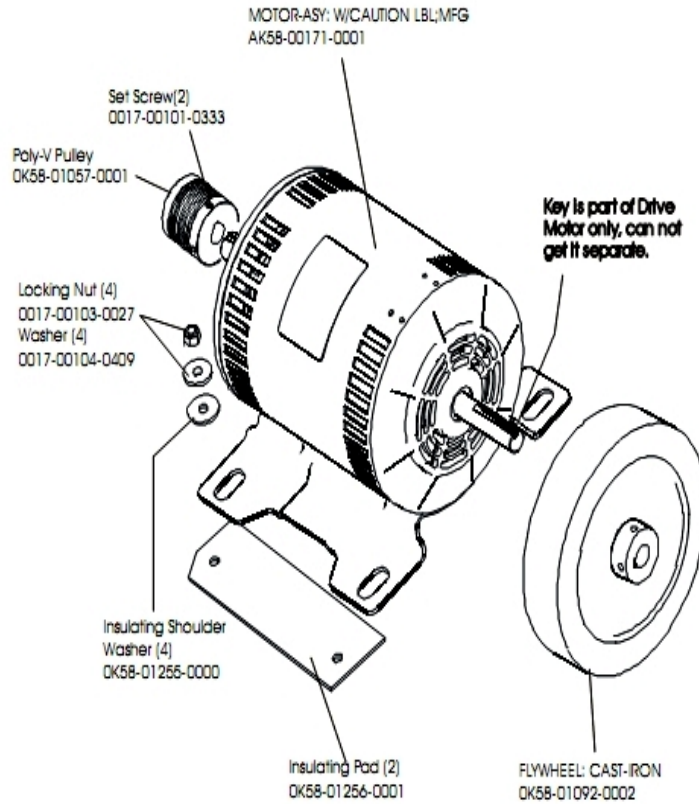
Ref #	Part Number	Qty	Description
-	AK58-00526-0001	1	Bezel Switch with Overlay: English/Metric
-	AK58-00481-0002	1	Console: English/Metric
-	0K58-01432-0001	1	Overlay English/Imperial

Console Components



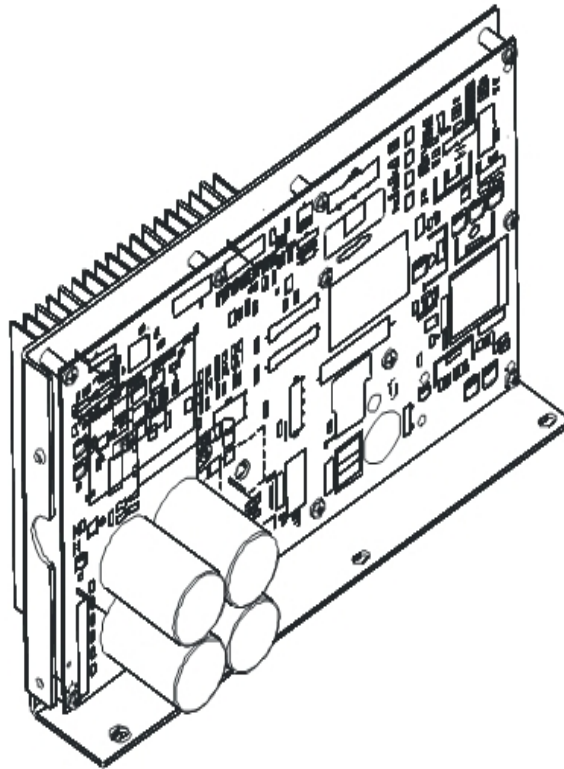
Ref #	Part Number	Qty	Description
-	118E-00001-0259	1	Wireless Receiver Module, Non-Coded
-	0K40-01070-0000	1	Magnetic Disk
-	0K58-01359-0000	1	Rubber Pad
-	AK58-00237-0000	1	Cable-Assembly: Polar/E-Stop
-	AK58-00031-0000	1	Side Console Cable Assembly
-	0K58-01273-0003	1	Front Console Case
-	118E-00001-0128	1	Switch Membrane
-	0K58-01321-0000	1	Stop Switch
-	0017-00101-1288	8	Hardware: Phillips Screw 0.5"
-	0017-00101-1275	9	Hardware: Phillips Screw 0.375"
-	0K58-01357-0000	1	Decal
-	0K58-01273-0002	1	Front Console Case - Japanese
-	A084-92184-A009	1	PCB Assembly
-	0K58-01280-0000	1	Accessory Cover
-	0017-00032-0185	1	Micro Switch 150GR
-	0K58-01272-0000	1	Rear Console Case
-	A084-92185-A011	1	PCB Assembly: Japanese
-	AK58-00322-0000	1	Tether Stop Assembly
-	B084-92255-B000	1	PCB Assembly

Drive Motor Assembly



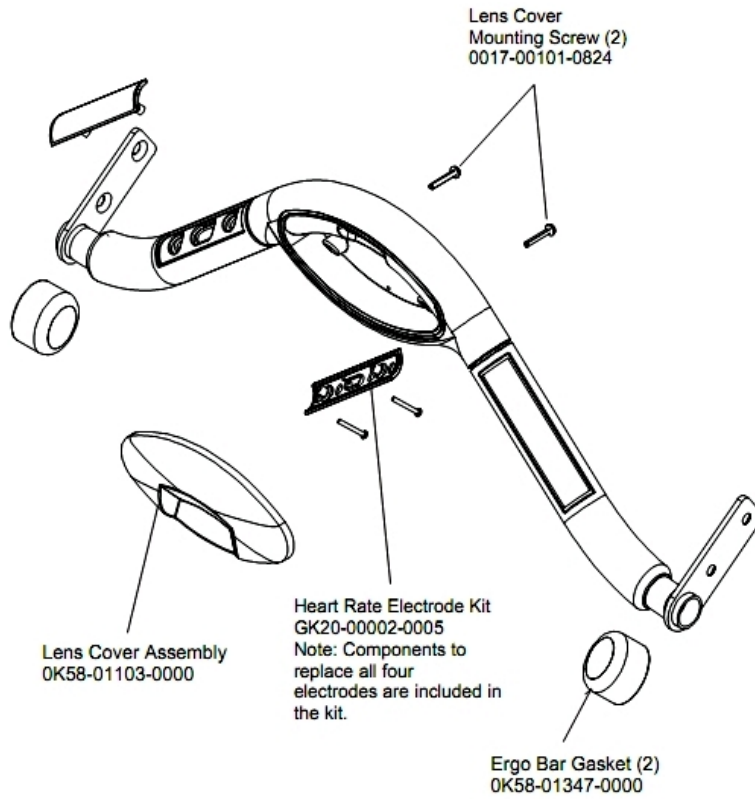
Ref #	Part Number	Qty	Description
-	0017-00104-0409	4	Hardware: Washer 1.125" OD
-	0017-00101-0333	2	Hardware: Screw 0.3125"
-	OK58-01256-0001	2	Insulating Pad
-	0017-00103-0027	4	Hardware: Locking Nut. 5/16" ID
-	AK58-00171-0001	1	Drive Motor Assembly
-	OK58-01255-0000	4	Hardware: Insulating Washers
-	OK58-01057-0001	1	Drive Pulley - 1.971"
-	OK58-01092-0002	1	Cast Iron Flywheel

DSP Controller Assembly



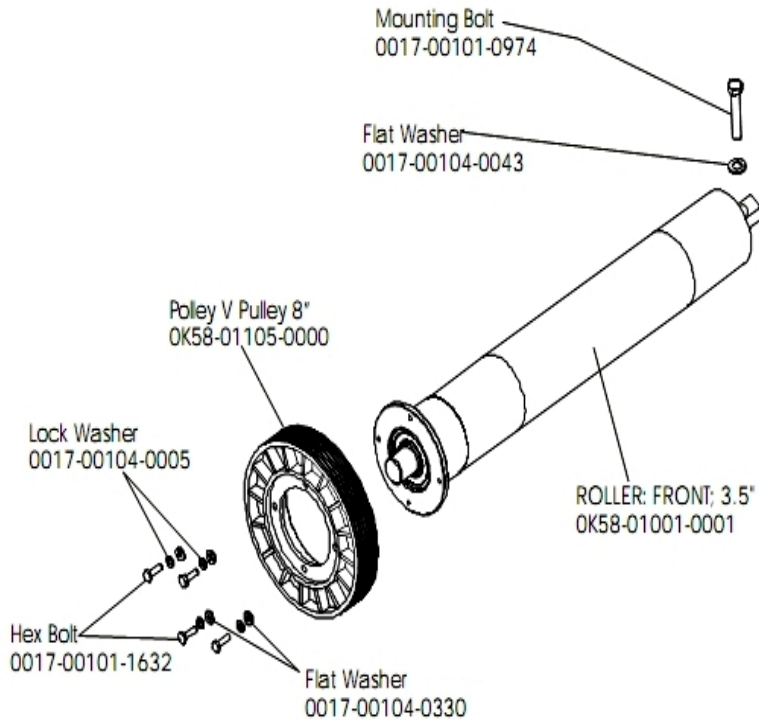
Ref #	Part Number	Qty	Description
-	GK58-00002-0120	1	Display Controller 200-240; LED
-	GK58-00002-0120	1	Display Controller 200-240; LED
-	GK58-00002-0120	1	Display Controller 200-240; LED
-	AK65-00071-0009	1	DSP Controller 200-240
-	AK58-00522-0000	1	Cable: Jumper; Power; LED Console
-	GK58-00002-0120	1	Display Controller 200-240; LED

Ergo Bar with Lifepulse



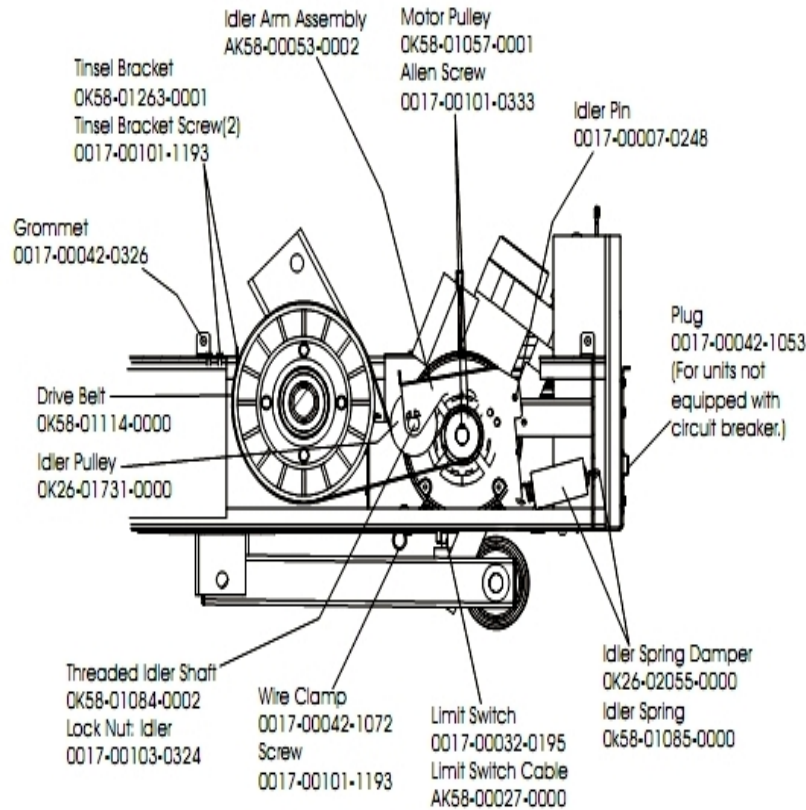
Ref #	Part Number	Qty	Description
-	0K58-01347-0000	2	ErgoBar Gasket
-	GK20-00002-0005	2	Heart Rate Electrode Kit
-	AK58-00064-0000	1	I/R Lens Cover Assembly
-	0017-00101-0824	2	Hardware: Screw 1.125"

Front Roller Assembly



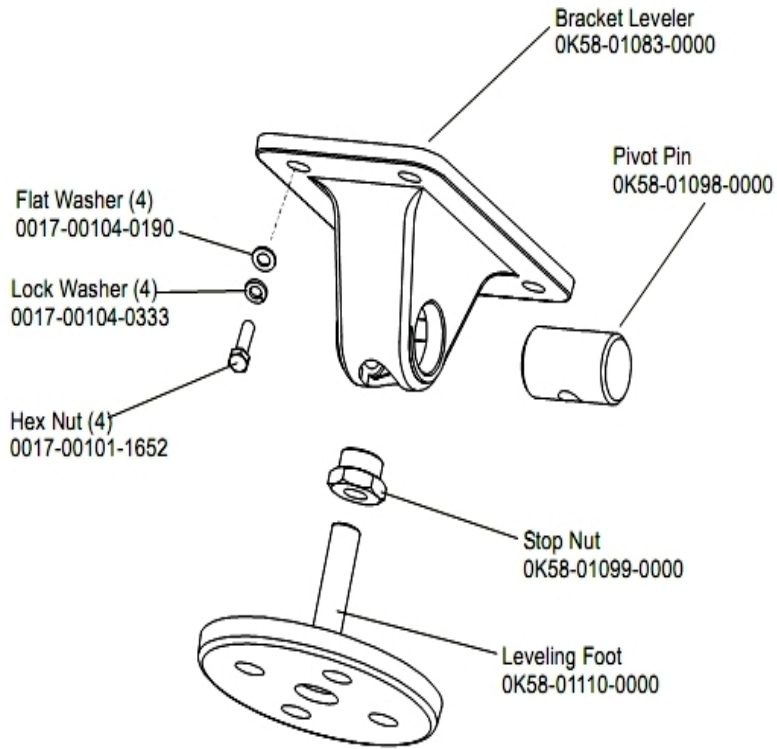
Ref #	Part Number	Qty	Description
-	0017-00104-0330	4	Hardware: Flat Washers 0.562" OD
-	0017-00104-0005	4	Hardware: Lock Washer 0.489" OD
-	0017-00104-0043	1	Hardware: Flat Washer 0.734" OD
-	0K58-01105-0000	1	Drive Pulley Poly V - 8"
-	0017-00101-1632	4	Hardware: Hex Bolt 0.875"
-	0017-00101-0974	1	Hardware: Mounting Bolt 2"
-	0K58-01001-0001	1	Front Roller - 3.5"
-	AK58-00066-0000	1	Front Roller Assembly

Idler Arm Assembly



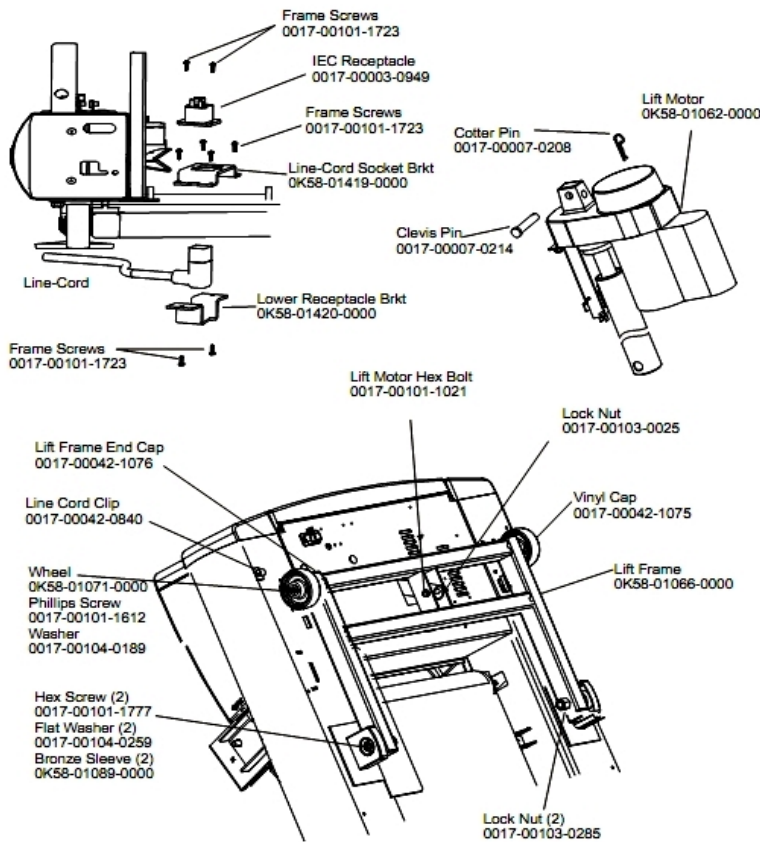
Ref #	Part Number	Qty	Description
-	OK58-01057-0001	1	Drive Pulley - 1.971"
-	0017-00042-1053	1	Plug (For units not equipped with circuit breaker.)
-	0017-00103-0324	1	Hardware: Thin Lock Nut 3/8" ID
-	AK58-00027-0000	1	Limit Switch Cable
-	OK26-01731-0000	1	Plastic Idler 2 5/8" OD
-	OK26-02055-0000	1	Spring Damper
-	0017-00032-0195	1	Home Switch
-	0017-00042-1072	1	Hardware: Wire Clamp - 5/8"
-	0017-00007-0248	1	Hardware: Locking Pin .31" D 2.125" L
-	0017-00042-0326	1	Hardware: Plastic Grommet
-	0017-00101-1193	3	Hardware: Screw 0.375"
-	OK58-01114-0000	1	Poly-V Drive Belt - 370J12
-	OK58-01084-0002	1	Threaded Shaft
-	0017-00101-0333	1	Hardware: Screw 0.3125"
-	AK58-00053-0002	1	Idler Arm Assembly
-	OK58-01085-0000	1	Extension Spring
-	OK58-01263-0001	1	Tinsel Bracket

Leg Leveler Assembly



Ref #	Part Number	Qty	Description
-	0017-00104-0333	4	Hardware: Washer 0.683" OD
-	OK58-01083-0000	1	Leveler Bracket
-	0017-00104-0190	4	Hardware: Flat Washer 0.734" OD
-	0017-00101-1652	4	Hardware: Spring Mounting Screw 1"
-	OK58-01098-0000	1	Hardware: Pivot Pin
-	OK58-01099-0000	1	Hardware: Stop Nut
-	AK58-00370-0000	1	Leveler Assembly
-	OK58-01110-0000	1	Leveler Foot

Lift Frame and Lift Motor

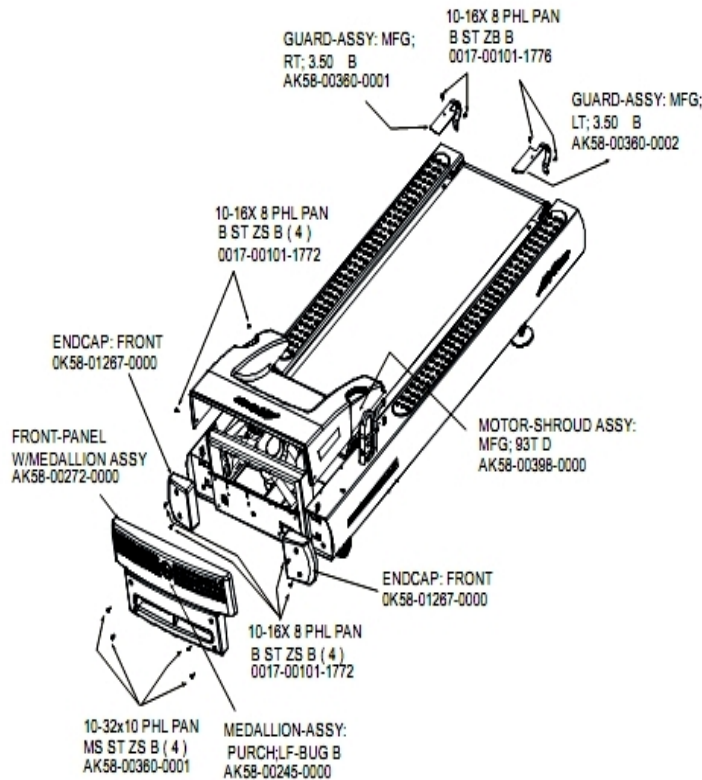


Ref #	Part Number	Qty	Description
-	0K58-01420-0000	1	Lower Receptacle Bracket
-	0017-00007-0214	1	Hardware: Clevis Pin 3/8" D 1.75" L
-	0017-00101-1723	8	Hardware: Phillips Pan Screw 0.375"
-	0017-00101-1021	1	Hardware: Lift Motor Hex Bolt 2.5"
-	AK58-00220-0000	1	LIFT-FRAME ASSY: MFG. C
-	0K58-01062-0000	1	Lift Motor - 120/60
-	0017-00003-0949	1	IEC Receptacle
-	0017-00042-1076	2	Lift Frame End Cap
-	0017-00103-0025	1	Hardware: Locking Nut 3/8" ID
-	0017-00103-0285	2	Hardware: Nut 5/8" ID
-	0017-00104-0259	2	Hardware: Washer 1.331" OD
-	0017-00007-0208	1	Hardware: Cotter Pin
-	0017-00101-1777	2	Hardware: Lift Frame Mounting Bolt 2.75"
-	0K58-01419-0000	1	Line Cord Socket Bracket
-	0017-00104-0189	2	Hardware: Flat Washer 1" OD
-	0K58-01089-0000	2	Bronze Sleeve Bushings
-	0017-00042-0840	1	Hardware: Push Mount Clip
-	0K58-01071-0000	2	Wheel
-	0017-00101-1612	2	Hardware: Phillips Screw 0.5"
-	0017-00042-1075	1	Vinyl Cap

Line Cords

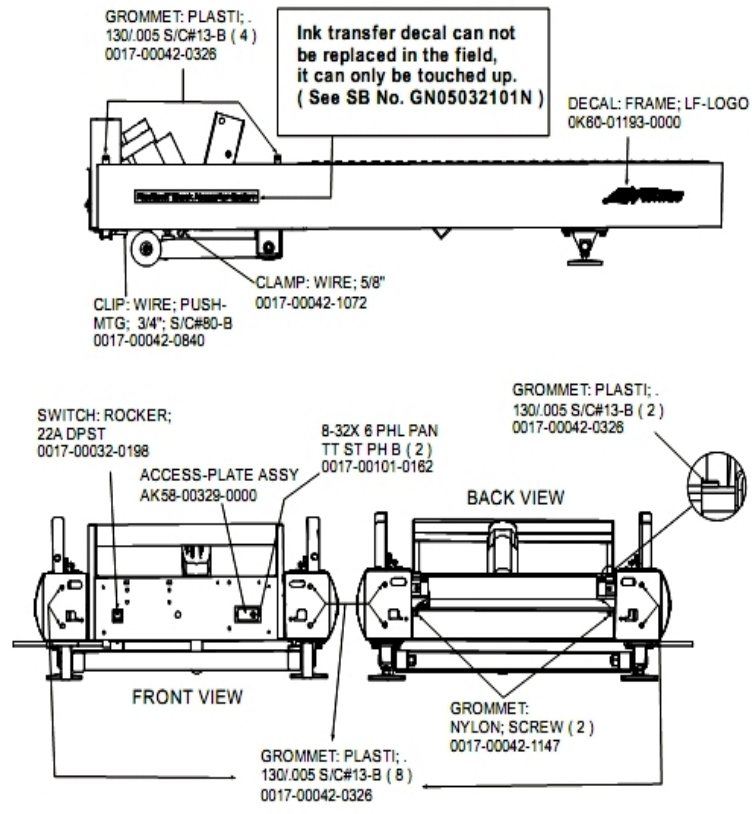
Ref #	Part Number	Qty	Description
-	0017-00003-0890	1	Line Cord: UK

Motor Cover, Front Cover and Front End Caps



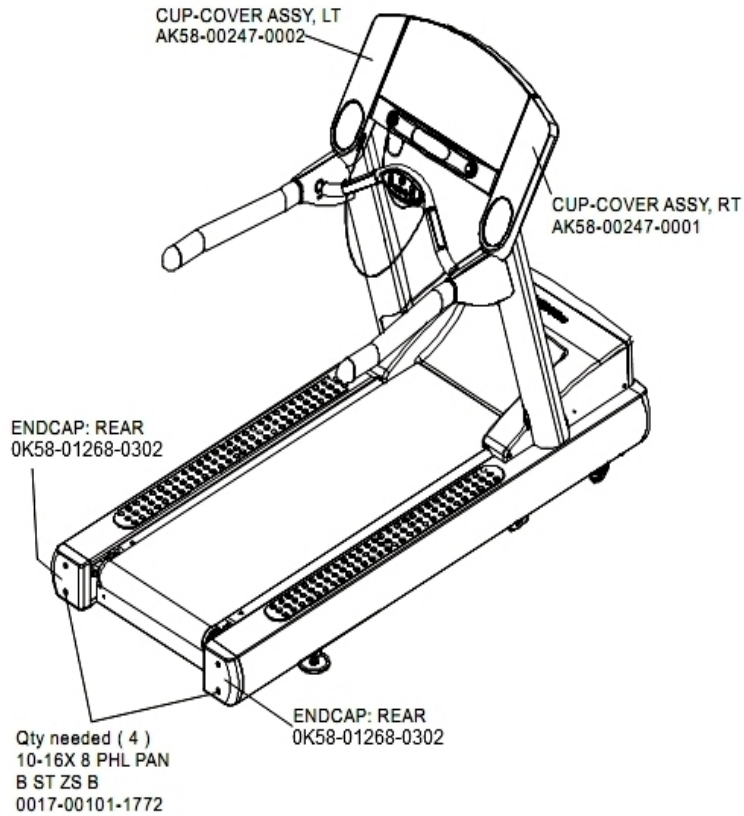
Ref #	Part Number	Qty	Description
-	AK58-00360-0001	2	Rear Roller Guard: Right
-	0017-00101-1772	2	Hardware: Phillips Pan Screw 0.5"
-	AK58-00245-0000	1	Bug Medallion
-	AK58-00272-0000	1	Front Panel with Medallion
-	AK58-00398-0000	1	Motor Shroud Assembly
-	OK58-01267-0000	2	End Cap
-	0017-00101-1776	1	Hardware: Mounting Screw 0.5"
-	AK58-00360-0002	1	Rear Roller Guard: Left

On-Off Switch, Access Plate and Grommets



Ref #	Part Number	Qty	Description
-	0017-00101-0162	1	Hardware: Screw 0.375"
-	AK58-00329-0000	1	Access Panel Assembly
-	0017-00042-0840	1	Hardware: Push Mount Clip
-	OK60-01193-0000	2	Decal: LF Logo
-	0017-00032-0198	1	On/Off Switch 22A
-	0017-00042-0326	3	Hardware: Plastic Grommet
-	0017-00042-1147	1	Hardware: Nylon Grommet
-	0017-00042-1072	1	Hardware: Wire Clamp - 5/8"

Rear End Caps and Cup Holders



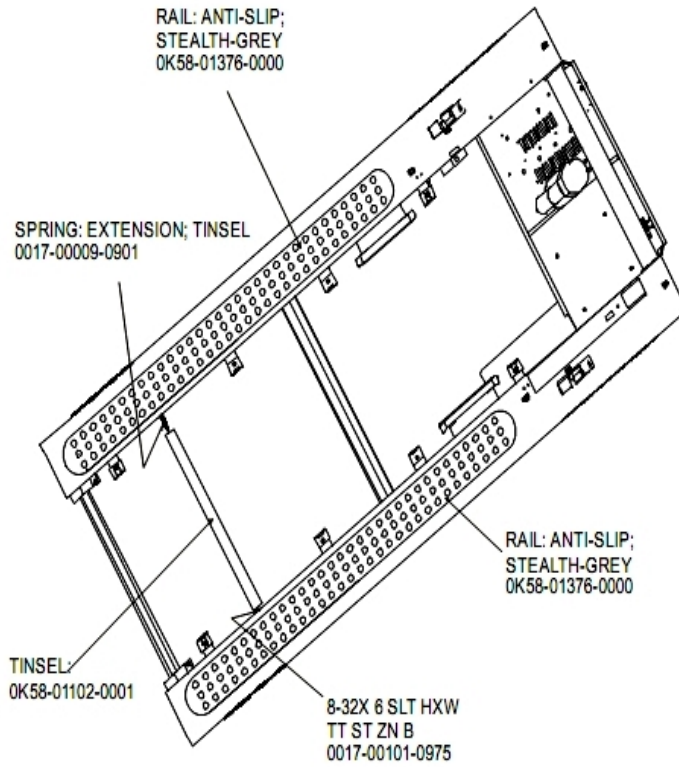
Ref #	Part Number	Qty	Description
-	AK58-00247-0002	1	Cup Holder Left
-	0017-00101-1772	1	Hardware: Phillips Pan Screw 0.5"
-	0K58-01268-0302	2	ENDCAP: REAR; STEALTH D
-	AK58-00247-0001	1	Cup Holder Right

References

Ref #	Part Number	Qty	Description
-	0017-00008-0205	1	5 oz Bottle - Arctic Silver
-	M051-00K58-B128	1	Service Instructions - Roller Guards
-	0017-00008-0204	1	Paint Spray Can - Arctic Silver
-	0017-00042-0840	5	Hardware: Push Mount Clip
-	0017-00101-1770	6	Hardware: Phillips Pan Screw 0.5"
-	0K58-01376-0000	2	Anti-Scuff Pad
-	AK58-00227-0000	1	Hardware Bag
-	0017-00101-1772	6	Hardware: Phillips Pan Screw 0.5"
-	0K58-01347-0000	2	ErgoBar Gasket
-	AK58-00360-0002	1	Rear Roller Guard: Left
-	0017-00008-0206	1	.33oz Pen - Arctic Silver
-	0017-00042-0326	4	Hardware: Plastic Grommet
-	0017-00042-1147	2	Hardware: Nylon Grommet
-	0017-00103-0327	4	Hardware: Hex Nut 5/16" ID
-	0K58-01305-0002	2	Upright Plug
-	0017-00101-1778	4	Hardware: Hex Bolt 1"
-	0017-00008-0210	1	Paint: Shadow-Gray Touch Up: .6 OZ Bottle
-	0017-00101-1776	4	Hardware: Mounting Screw 0.5"
-	0017-00104-0325	4	Hardware: Washer 0.873" OD
-	0017-00008-0211	1	Paint: Shadow-Gray Touch Up: .6 OZ Bottle
-	0017-00101-1774	4	Hardware: TORX Screw 2.5"
-	0017-00101-1780	8	Hardware: Mounting Screws

Ref #	Part Number	Qty	Description
-	GK58-00002-0071	1	Anti-Slip Rail
-	GK58-00002-0095	1	Roller Guard kit
-	AK58-00360-0001	1	Rear Roller Guard: Right
-	OK58-01348-0000	2	Handrail Collar
-	0017-00009-1049	1	Torx Wrench
-	0017-00101-1773	6	Hardware: TORX Screw 0.5"

Scuff Pad and Tinsel

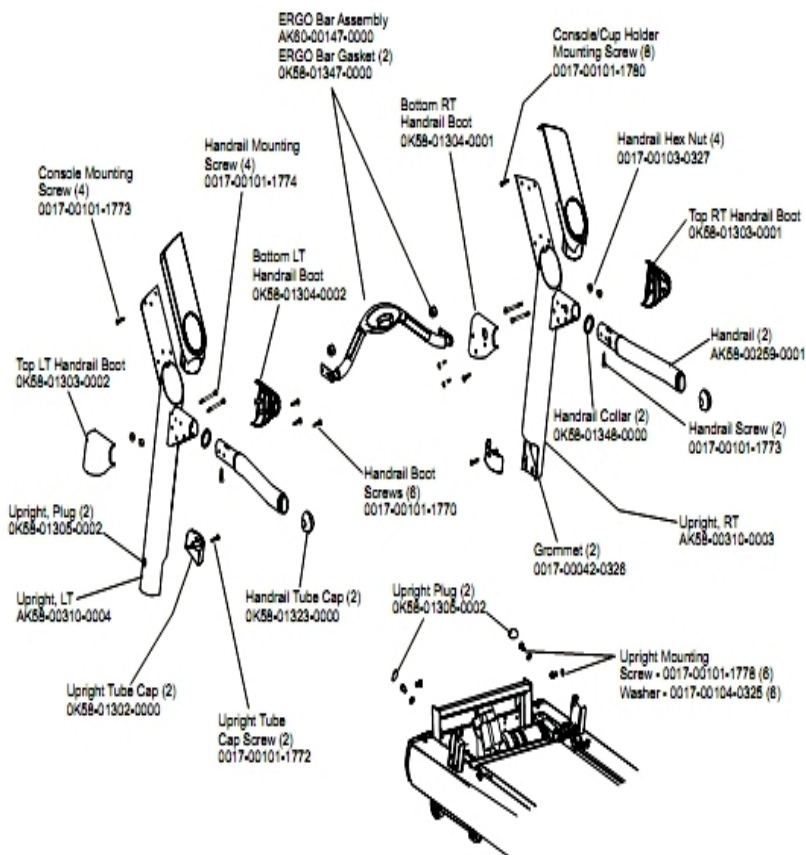


Ref #	Part Number	Qty	Description
-	0017-00101-0975	1	Hardware: Mounting Bolt 0.375"
-	0017-00009-0901	1	Tinsel Extension Spring
-	OK58-01102-0001	1	Anti-Static Tinsel
-	OK58-01376-0000	4	Anti-Scuff Pad

Unlabeled Parts

Ref #	Part Number	Qty	Description
-	AK58-00227-0000	1	Hardware Bag
-	AK58-00263-0000	1	Hi-Pot Jumper Cable
-	AK58-00546-0001	1	Harness Assembly: 120/60
-	AK58-00082-0000	1	Jumper Cable Assembly: White - 6"
-	0017-00021-2810	1	F-Type Right Angle Adaptor
-	0017-00003-1015	1	20 amp Line Filter (DOM)
-	AK58-00083-0000	1	Cable Assembly
-	AK58-00034-0001	1	Console Power Cable
-	AK58-00514-0000	1	Receptacle Assembly
-	AK32-00020-0002	1	Coax Cable: 120"
-	AK58-00041-0001	1	Heart Rate Sensor Cable
-	AK58-00224-0001	1	Cable: MOV; Fliter
-	AK58-00036-0000	1	Cable-Assembly: Emergency-Stop Switch
-	0K58-01390-0002	1	Rear Roller Guard Left
-	M051-00K20-A409	1	Facility Safety Sign
-	AK32-00078-0001	1	Power Extension Cable: 120"
-	AK58-00081-0000	1	Jumper Cable Assembly: Black - 4"
-	0K58-01390-0001	1	Rear Roller Guard Right

Uprights, Handrails and Ergo Bar



Ref #	Part Number	Qty	Description
-	0017-00101-1774	4	Hardware: TORX Screw 2.5"
-	0017-00101-1780	8	Hardware: Mounting Screws
-	0K58-01348-0000	2	Handrail Collar
-	0017-00104-0325	6	Hardware: Washer 0.873" OD
-	AK58-00310-0003	1	Upright: Right
-	0017-00101-1778	6	Hardware: Hex Bolt 1"
-	AK58-00311-0004	1	Upright: Left
-	AK58-00259-0001	2	Handrail
-	0K58-01305-0002	4	Upright Plug
-	0K58-01302-0103	2	Cap: Upright Tube; Arctic Silver
-	0017-00103-0327	4	Hardware: Hex Nut 5/16" ID
-	0K58-01347-0000	2	ErgoBar Gasket
-	AK60-00147-0000	1	ERGO Bar with Heart Rate Sensor
-	0K58-01303-0001	1	Top Right Handrail Boot
-	0017-00101-1772	2	Hardware: Phillips Pan Screw 0.5"
-	0K58-01304-0002	1	Bottom Left Handrail Boot
-	0K58-01304-0001	1	Bottom Right Handrail Boot
-	0K58-01303-0002	1	Top Left Handrail Boot
-	0K58-01323-0000	2	Handrail Tube Cap
-	0017-00101-1770	6	Hardware: Phillips Pan Screw 0.5"
-	0017-00101-1773	6	Hardware: TORX Screw 0.5"
-	0017-00042-0326	2	Hardware: Plastic Grommet

