

93T Classic Treadmill - 4HP AC - Heart Rate

93T-0102-09

Parts Manual

1/5/2019 8:09:57 AM



LifeFitness
WHAT WE LIVE FOR

Table of Contents

Belt, Deck and Rear Roller	3
Block Diagram 1	4
Block Diagram 2	5
Block Diagram 3	6
Console Components	7
Console, Overlay Assembly and Overlay	8
Drive Motor Assembly	9
DSP Controller Assembly	10
Ergo Bar with Heart Rate Assembly	11
Front Roller Assembly	12
Idler Arm Assembly	13
Leg Leveler Assembly	14
Lift Frame, Lift Motor and IEC Receptacle	15
Line Cords and Line Cord Options	16
Miscellaneous	17
Motor Cover, Front Cover, Front End Caps and Tinsel	18
On-Off Switch, Access Plate and Grommets	19
Optional Line Cords	20
Rear End Caps and Cup Holders	21
Uprights and Handrails	22

Belt, Deck and Rear Roller

Ref #	Part Number	Qty	Description
-	0K58-01400-0000	1	Striding Belt
-	0017-00101-1652	8	Hardware: Spring Mounting Screw 1"
-	0017-00101-1880	2	Hardware: Tension Bolts 3"
-	0017-00104-0334	2	Hardware: Flat Washers 0.880" OD
-	0K58-01002-0000	1	Rear Roller - 3.5"
-	M051-00K58-A100	1	Label: Belt Limit: Right
-	M051-00K58-A014	1	Label: Caution
-	0K40-01026-0002	8	Deck Spring
-	0K65-01263-0000	1	Deck
-	0017-00103-0198	4	Hardware: Tinnerman Clip 1/4" ID
-	M051-00K58-A101	1	Belt Limit Label. Left
-	0017-00104-0072	8	Hardware: Flat Washer 0.562" OD
-	0017-00101-1775	4	Hardware: Deck Screws 1.25"

Block Diagram 1

Ref #	Part Number	Qty	Description
-	AK32-00020-0002	1	Coax Cable: 120"
-	AK58-00237-0000	1	Cable-Assembly: Polar/E-Stop
-	AK58-00041-0001	1	Heart Rate Sensor Cable
-	AK58-00031-0000	1	Side Console Cable Assembly
-	AK32-00078-0001	1	Power Extension Cable: 120"
-	118E-00001-0259	1	Wireless Receiver Module, Non-Coded
-	AK58-00036-0000	1	Cable-Assembly: Emergency-Stop Switch

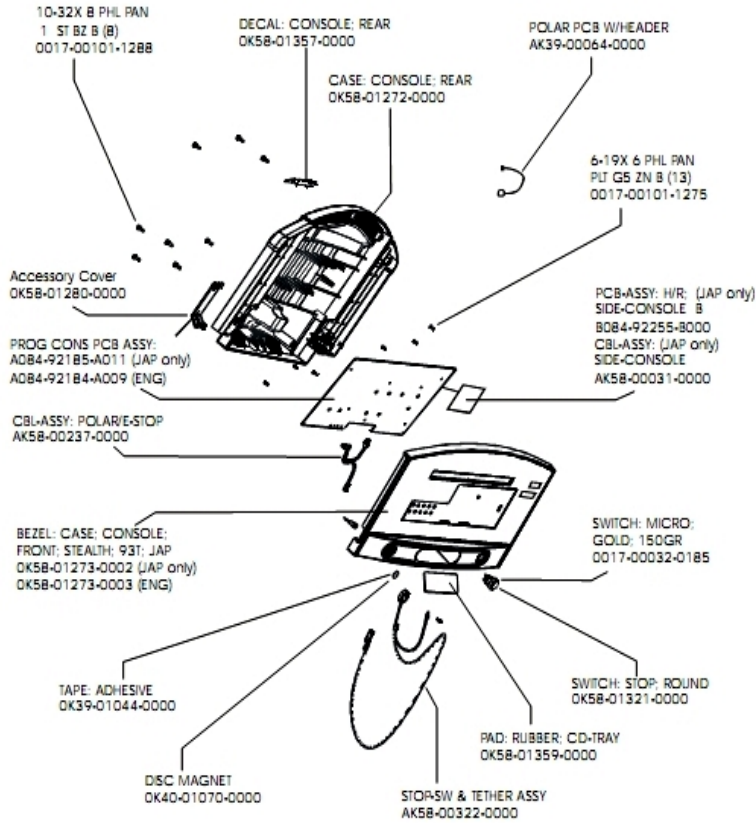
Block Diagram 2

Ref #	Part Number	Qty	Description
-	AK58-00527-0000	1	Auto-Transformer: Use on High Voltage
-	AK58-00034-0001	1	Console Power Cable
-	AK58-00522-0000	1	Cable: Jumper; Power; LED Console
-	AK58-00027-0001	1	Cable Assy: 230V

Block Diagram 3

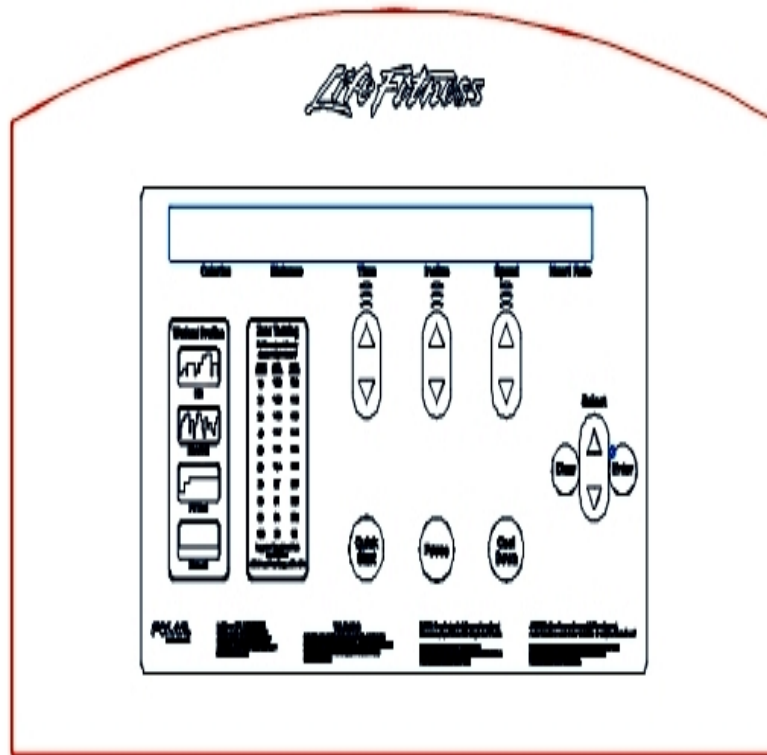
Ref #	Part Number	Qty	Description
-	AK58-00263-0000	1	Hi-Pot Jumper Cable
-	0017-00003-1015	1	20 amp Line Filter (DOM)
-	AK58-00083-0000	1	Cable Assembly
-	AK58-00082-0000	1	Jumper Cable Assembly: White - 6"
-	AK58-00081-0000	1	Jumper Cable Assembly: Black - 4"
-	AK58-00224-0001	1	Cable: MOV; Fliter
-	AK58-00596-0001	1	Power Cable: 230-240V
-	0017-00104-0460	1	Hardware: Lockwasher 0.562" OD
-	0017-00003-0898	1	10 amp Line Filter (INT)

Console Components



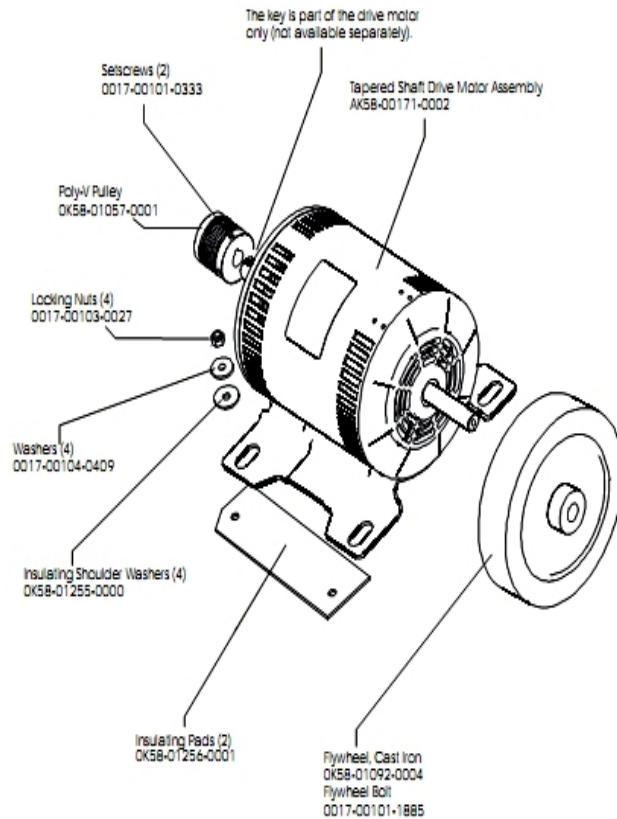
Ref #	Part Number	Qty	Description
-	OK39-01044-0000	1	Tape
-	AK58-00322-0000	1	Tether Stop Assembly
-	OK58-01321-0000	1	Stop Switch
-	OK58-01272-0000	1	Rear Console Case
-	OK58-01357-0000	1	Decal
-	OK58-01273-0003	1	Front Console Case
-	AK58-00237-0000	1	Cable-Assembly: Polar/E-Stop
-	OK58-01359-0000	1	Rubber Pad
-	OK40-01070-0000	1	Magnetic Disk
-	118E-00001-0259	1	Wireless Receiver Module, Non-Coded
-	0017-00032-0185	1	Micro Switch 150GR
-	OK58-01280-0000	1	Accessory Cover
-	A084-92184-A009	1	PCB Assembly
-	0017-00101-1275	13	Hardware: Phillips Screw 0.375"
-	0017-00101-1288	8	Hardware: Phillips Screw 0.5"

Console, Overlay Assembly and Overlay



Ref #	Part Number	Qty	Description
-	AK58-00526-0001	1	Bezel Switch with Overlay: English/Metric
-	AK58-00481-0001	1	Console: English/English
-	OK58-01432-0001	1	Overlay English/Imperial

Drive Motor Assembly



Ref #	Part Number	Qty	Description
-	0017-00104-0409	4	Hardware: Washer 1.125" OD
-	OK58-01386-0004	1	MOTOR: MAIN DRIVE, 230V/50HZ, W/TAPER
-	OK58-01256-0001	2	Insulating Pad
-	OK58-01092-0004	1	Cast Iron Flywheel
-	0017-00103-0027	4	Hardware: Locking Nut. 5/16" ID
-	0017-00101-1885	1	Hardware: Hex Bolt 1"
-	0017-00101-0333	2	Hardware: Screw 0.3125"
-	OK58-01057-0001	1	Drive Pulley - 1.971"
-	OK58-01255-0000	4	Hardware: Insulating Washers

DSP Controller Assembly

Ref #	Part Number	Qty	Description
-	GK58-00002-0120	1	Display Controller 200-240; LED
-	117E-00001-0004	1	Block Jumpers (for JW1 JW2 Jw5)
-	AK65-00071-0009	1	DSP Controller 200-240
-	GK58-00002-0120	1	Display Controller 200-240; LED
-	GK58-00002-0120	1	Display Controller 200-240; LED
-	GK58-00002-0120	1	Display Controller 200-240; LED
-	0017-00101-1781	1	Hardware: Phillips Pan Screw 0.5"
-	AK58-00522-0000	1	Cable: Jumper; Power; LED Console

Ergo Bar with Heart Rate Assembly

Ref #	Part Number	Qty	Description
-	0017-00101-1277	1	Hardware: Sensor Mounting Screw 1"
-	AK58-00064-0000	1	I/R Lens Cover Assembly
-	GK20-00002-0005	1	Heart Rate Electrode Kit
-	0017-00101-0824	2	Hardware: Screw 1.125"
-	0K58-01347-0000	1	ErgoBar Gasket
-	AK58-00376-0001	1	Ergo-Bar Overmold Assembly
-	0017-00104-0411	1	Hardware: Flat Washer 0.375" OD
-	AK60-00147-0000	1	ERGO Bar with Heart Rate Sensor

Front Roller Assembly

Ref #	Part Number	Qty	Description
-	0017-00101-0974	1	Hardware: Mounting Bolt 2"
-	0017-00101-1632	3	Hardware: Hex Bolt 0.875"
-	0K58-01105-0000	1	Drive Pulley Poly V - 8"
-	0017-00104-0043	1	Hardware: Flat Washer 0.734" OD
-	0K58-01001-0001	1	Front Roller - 3.5"
-	0017-00104-0006	1	Hardware: Lock Washer 0.683" OD
-	0017-00104-0330	3	Hardware: Flat Washers 0.562" OD
-	AK58-00066-0000	1	Front Roller Assembly
-	0017-00104-0005	3	Hardware: Lock Washer 0.489" OD

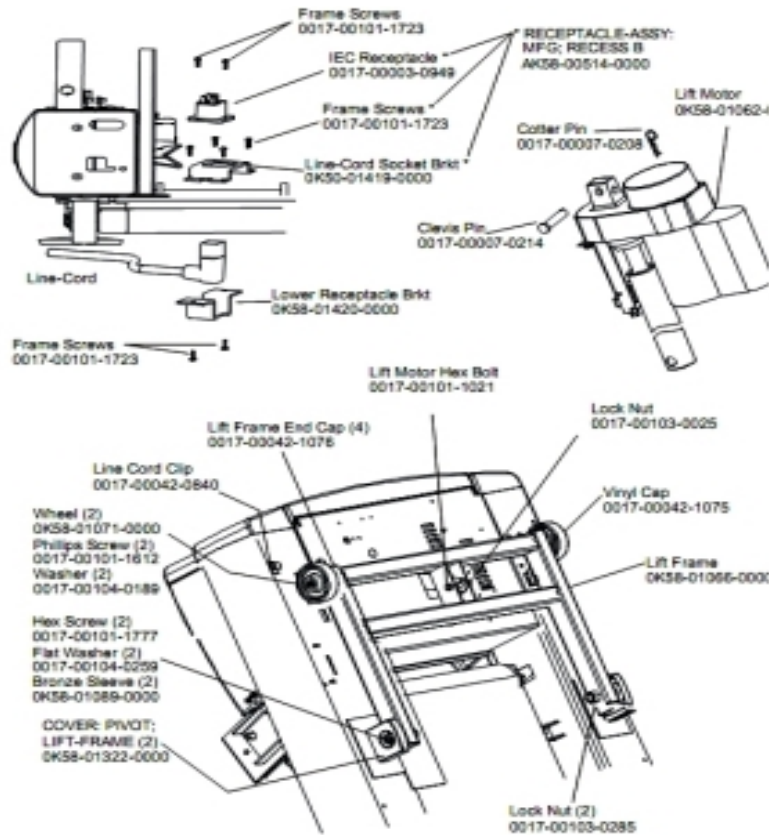
Idler Arm Assembly

Ref #	Part Number	Qty	Description
-	0K58-01057-0001	1	Drive Pulley - 1.971"
-	0K58-01263-0001	1	Tinsel Bracket
-	0017-00103-0324	1	Hardware: Thin Lock Nut 3/8" ID
-	AK58-00027-0000	1	Limit Switch Cable
-	0K26-01731-0000	1	Plastic Idler 2 5/8" OD
-	0K26-02055-0000	1	Spring Damper
-	0017-00032-0195	1	Home Switch
-	0017-00042-1072	1	Hardware: Wire Clamp - 5/8"
-	0017-00003-0671	1	Circuit Breaker Clip
-	0017-00007-0248	1	Hardware: Locking Pin .31" D 2.125" L
-	0017-00042-0326	1	Hardware: Plastic Grommet
-	0017-00101-1193	3	Hardware: Screw 0.375"
-	0K58-01114-0000	1	Poly-V Drive Belt - 370J12
-	0017-00003-0626	1	CIRCUIT-BREAKER:2A 200-240V
-	0017-00003-0950	1	100v 4 AMP Breaker
-	0K58-01084-0002	1	Threaded Shaft
-	0017-00101-0333	1	Hardware: Screw 0.3125"
-	AK58-00053-0002	1	Idler Arm Assembly
-	0K58-01085-0000	1	Extension Spring
-	0017-00042-1053	1	Plug (For units not equipped with circuit breaker.)

Leg Leveler Assembly

Ref #	Part Number	Qty	Description
-	0K58-01110-0000	1	Leveler Foot
-	AK58-00370-0000	1	Leveler Assembly
-	0K58-01099-0000	1	Hardware: Stop Nut
-	0K58-01083-0000	1	Leveler Bracket
-	0017-00104-0333	4	Hardware: Washer 0.683" OD
-	0017-00104-0190	4	Hardware: Flat Washer 0.734" OD
-	0017-00101-1627	1	Hardware: Hex Nut
-	0K58-01098-0000	1	Hardware: Pivot Pin

Lift Frame, Lift Motor and IEC Receptacle



Ref #	Part Number	Qty	Description
-	0017-00007-0214	1	Hardware: Clevis Pin 3/8" D 1.75" L
-	0017-00042-1075	1	Vinyl Cap
-	0017-00101-1612	2	Hardware: Phillips Screw 0.5"
-	0K58-01071-0000	2	Wheel
-	0017-00042-0840	1	Hardware: Push Mount Clip
-	0K58-01089-0000	2	Bronze Sleeve Bushings
-	0K58-01420-0000	1	Lower Receptacle Bracket
-	0K58-01062-0000	1	Lift Motor - 120/60
-	AK58-00220-0000	1	LIFT-FRAME ASSY: MFG. C
-	0017-00042-1076	4	Lift Frame End Cap
-	0K58-01322-0000	2	Lift Frame Pivot Cover
-	0017-00103-0285	2	Hardware: Nut 5/8" ID
-	0017-00007-0208	1	Hardware: Cotter Pin
-	0017-00101-1777	2	Hardware: Lift Frame Mounting Bolt 2.75"
-	0017-00104-0189	2	Hardware: Flat Washer 1" OD
-	0K58-01419-0000	1	Line Cord Socket Bracket
-	0017-00101-1723	8	Hardware: Phillips Pan Screw 0.375"
-	AK58-00514-0000	1	Receptacle Assembly
-	0017-00101-1021	1	Hardware: Lift Motor Hex Bolt 2.5"
-	0017-00103-0025	1	Hardware: Locking Nut 3/8" ID
-	0017-00104-0259	2	Hardware: Washer 1.331" OD
-	0017-00003-0949	1	IEC Receptacle

Line Cords and Line Cord Options

Ref #	Part Number	Qty	Description
-	0017-00003-0890	1	Line Cord: UK

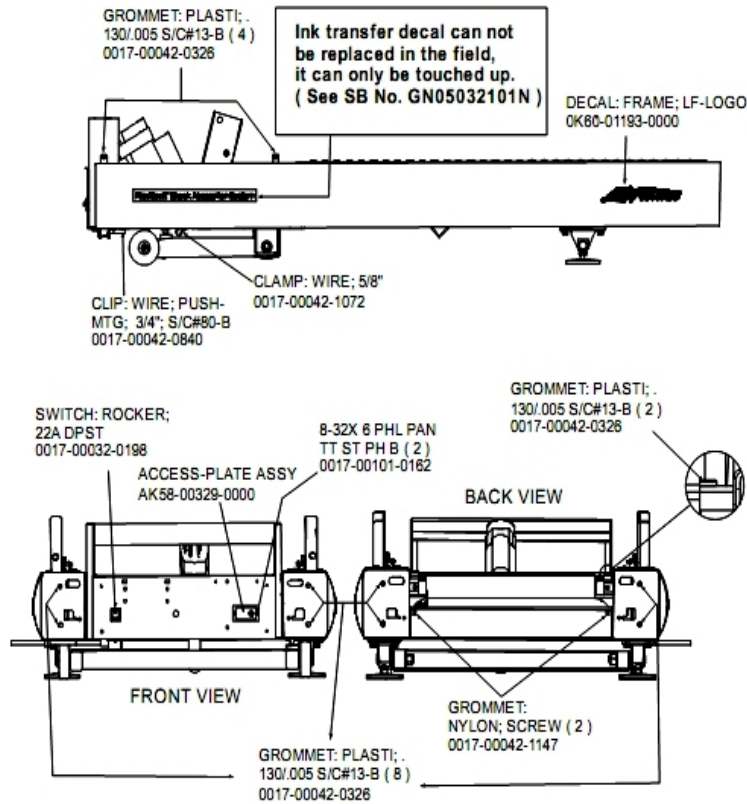
Miscellaneous

Ref #	Part Number	Qty	Description
-	AK58-00329-0000	1	Access Panel Assembly
-	0K58-01392-0000	1	Plate: Connector
-	AK58-00226-0000	1	Hardware Bag
-	0017-00021-2810	1	F-Type Right Angle Adaptor
-	0017-00008-0211	1	Paint: Shadow-Gray Touch Up: .6 OZ Bottle
-	0017-00008-0210	1	Paint: Shadow-Gray Touch Up: .6 OZ Bottle
-	0017-00008-0206	1	.33oz Pen - Arctic Silver
-	AK32-00020-0002	1	Coax Cable: 120"
-	AK32-00078-0001	1	Power Extension Cable: 120"
-	0017-00008-0204	1	Paint Spray Can - Arctic Silver
-	0017-00008-0205	1	5 oz Bottle - Arctic Silver
-	0017-00021-2846	1	F-Type Panel Connector

Motor Cover, Front Cover, Front End Caps and Tinsel

Ref #	Part Number	Qty	Description
-	0K58-01376-0000	2	Anti-Scuff Pad
-	0017-00101-0975	1	Hardware: Mounting Bolt 0.375"
-	AK58-00360-0001	1	Rear Roller Guard: Right
-	0017-00009-0901	1	Tinsel Extension Spring
-	0017-00101-1776	4	Hardware: Mounting Screw 0.5"
-	AK58-00272-0000	1	Front Panel with Medallion
-	0017-00101-1772	8	Hardware: Phillips Pan Screw 0.5"
-	0K58-01102-0001	1	Anti-Static Tinsel
-	0017-00101-1771	4	Hardware: Phillips Pan Screw
-	AK58-00360-0002	1	Rear Roller Guard: Left
-	AK58-00625-0000	1	Motor Shroud Assembly
-	AK58-00245-0000	1	Bug Medallion
-	0K58-01267-0000	2	End Cap

On-Off Switch, Access Plate and Grommets

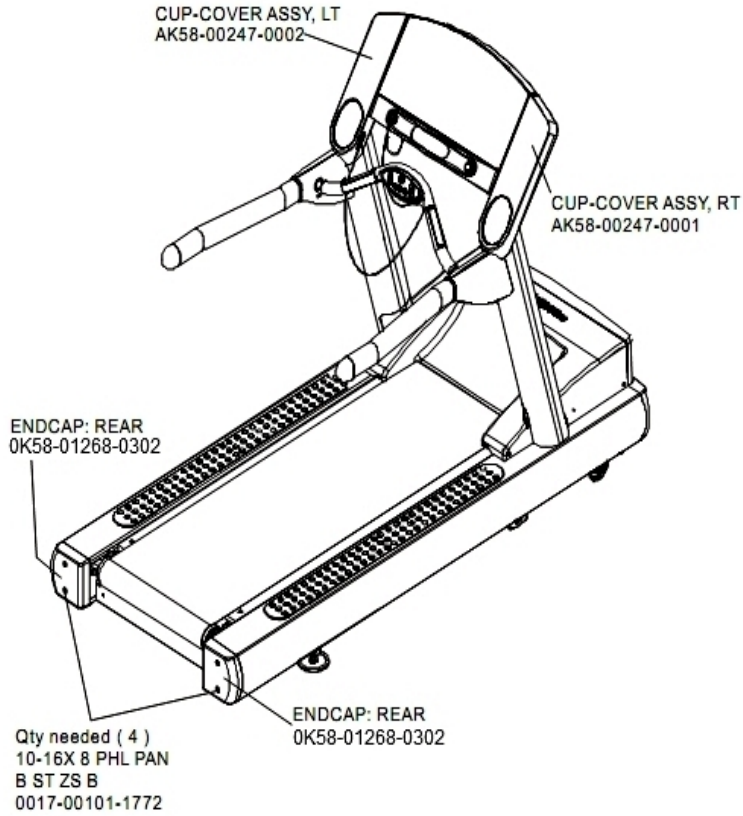


Ref #	Part Number	Qty	Description
-	0017-00042-0840	1	Hardware: Push Mount Clip
-	0017-00101-0162	1	Hardware: Screw 0.375"
-	AK58-00329-0000	1	Access Panel Assembly
-	OK60-01193-0000	2	Decal: LF Logo
-	0017-00042-1147	1	Hardware: Nylon Grommet
-	0017-00042-0326	3	Hardware: Plastic Grommet
-	0017-00032-0198	1	On/Off Switch 22A
-	0017-00042-1072	1	Hardware: Wire Clamp - 5/8"

Optional Line Cords

Ref #	Part Number	Qty	Description
-	0017-00003-0981	1	LINE-CORD: R/A; with PLUG 220/60 7.5'
-	0017-00003-0980	1	Line Cord: US Low Voltage 144"
-	0017-00003-0948	1	12' 220v Line Cord

Rear End Caps and Cup Holders



Ref #	Part Number	Qty	Description
-	0017-00101-1772	1	Hardware: Phillips Pan Screw 0.5"
-	AK58-00247-0001	1	Cup Holder Right
-	OK58-01268-0302	2	ENDCAP: REAR; STEALTH D
-	AK58-00247-0002	1	Cup Holder Left

Uprights and Handrails

Ref #	Part Number	Qty	Description
-	AK58-00311-0004	1	Upright: Left
-	0017-00101-1778	6	Hardware: Hex Bolt 1"
-	0K58-01304-0001	1	Bottom Right Handrail Boot
-	0K58-01303-0002	1	Top Left Handrail Boot
-	0017-00104-0325	1	Hardware: Washer 0.873" OD
-	0017-00101-1774	4	Hardware: TORX Screw 2.5"
-	0017-00101-1780	8	Hardware: Mounting Screws
-	0K58-01396-0000	2	Endcap
-	AK58-00311-0003	1	Upright: Right
-	0K58-01303-0001	1	Top Right Handrail Boot
-	0017-00101-1772	2	Hardware: Phillips Pan Screw 0.5"
-	AK58-00256-0001	1	Handrail
-	0K58-01305-0002	4	Upright Plug
-	0K58-01302-0103	2	Cap: Upright Tube; Arctic Silver
-	0017-00103-0327	4	Hardware: Hex Nut 5/16" ID
-	0017-00042-0326	2	Hardware: Plastic Grommet
-	0017-00101-1773	6	Hardware: TORX Screw 0.5"
-	0K58-01304-0002	1	Bottom Left Handrail Boot
-	0017-00101-1770	6	Hardware: Phillips Pan Screw 0.5"

