

93T Treadmill - 4HP AC

93T-0103-01

Parts Manual

1/5/2019 8:09:58 AM

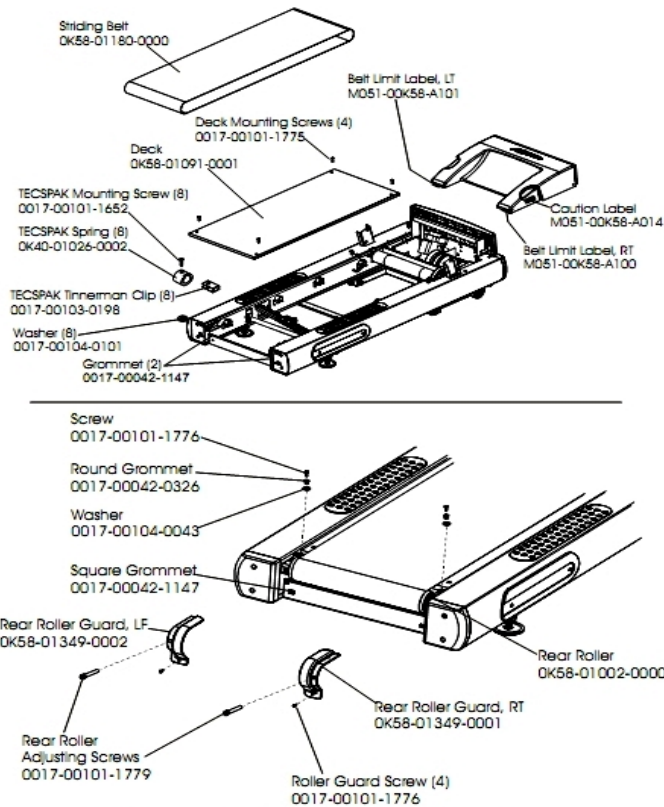


LifeFitness
WHAT WE LIVE FOR

Table of Contents

Belt, Deck and Rear Roller.....	3
Cables.....	4
Console Assembly.....	5
Drive Motor Assembly.....	6
Frame Assembly.....	7
Front Roller Assembly.....	8
General Assembly.....	9
Handrail Assembly.....	10
Idler Arm Assembly.....	12
Leveler Assembly.....	13
Lift Motor and Frame.....	14
Motor Controller Assembly.....	15
Motor Cover, End Caps and Hardware.....	16
Power Components Schematic.....	17
Wax Components.....	18

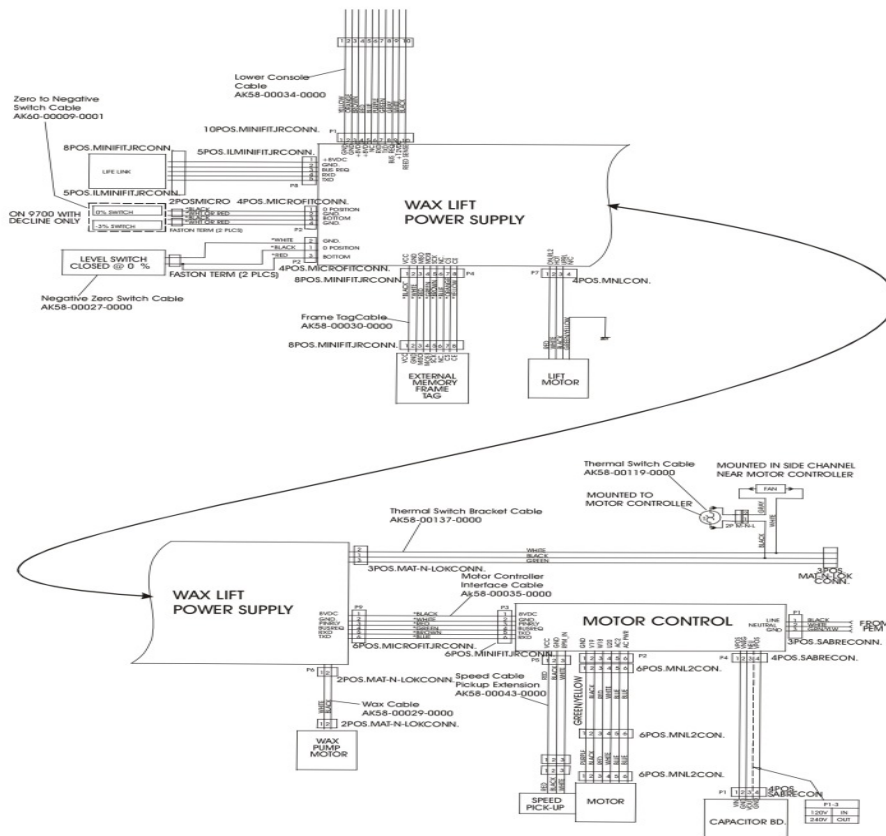
Belt, Deck and Rear Roller



NOTE: S/N TTC100168 & Below, use Kit No. GK58-00002-0066

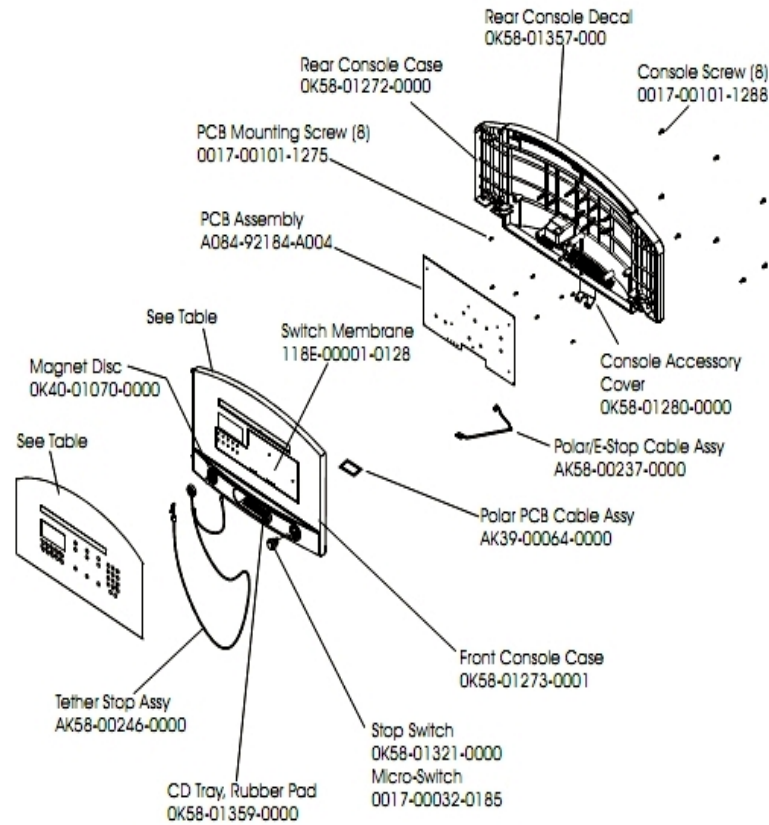
Ref #	Part Number	Qty	Description
-	0017-00101-1775	4	Hardware: Deck Screws 1.25"
-	M051-00K58-A101	1	Belt Limit Label. Left
-	0K58-01349-0001	1	Rear Roller Guard Right
-	GK58-00002-0095	1	Roller Guard kit
-	0017-00103-0198	8	Hardware: Tinnerman Clip 1/4" ID
-	0K58-01180-0000	1	Striding Belt
-	M051-00K58-A100	1	Label: Belt Limit: Right
-	0017-00101-1779	1	Hardware: Rear Roller Adjusting Bolt
-	0017-00042-0326	2	Hardware: Plastic Grommet
-	0017-00042-1147	4	Hardware: Nylon Grommet
-	0017-00101-1652	8	Hardware: Spring Mounting Screw 1"
-	0K58-01349-0002	1	Rear Roller Guard Left
-	0017-00104-0043	2	Hardware: Flat Washer 0.734" OD
-	0017-00104-0101	8	Hardware: Flat Washer 0.437" OD
-	0K58-01002-0000	1	Rear Roller - 3.5"
-	0K58-01091-0001	1	Deck
-	M051-00K58-A014	1	Label: Caution
-	0017-00101-1776	6	Hardware: Mounting Screw 0.5"
-	0K40-01026-0002	8	Deck Spring

Cables



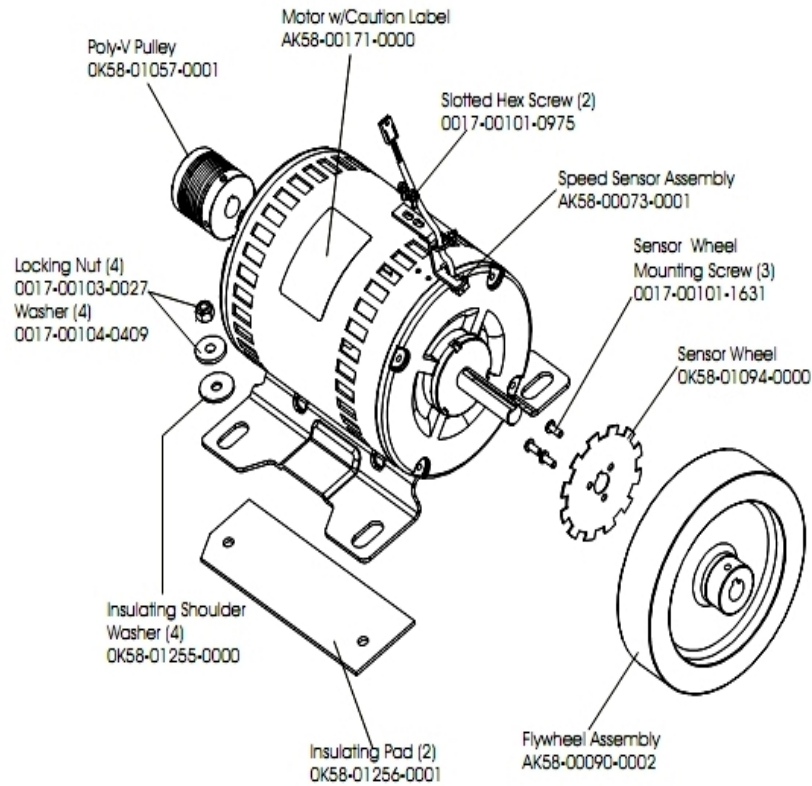
Ref #	Part Number	Qty	Description
-	AK58-00043-0000	1	Speed Sensor Cable
-	AK58-00140-0000	1	Thermal Switch Assembly
-	AK58-00119-0000	1	Thermal Switch
-	AK58-00034-0000	1	Console Cable
-	AK58-00035-0000	1	Motor Controller Interface Cable
-	AK60-00009-0001	1	Negative Switch Cable Assembly
-	AK58-00030-0000	1	Frame Tag Cable
-	AK58-00027-0000	1	Limit Switch Cable
-	AK58-00029-0000	1	Wax Pump Cable

Console Assembly



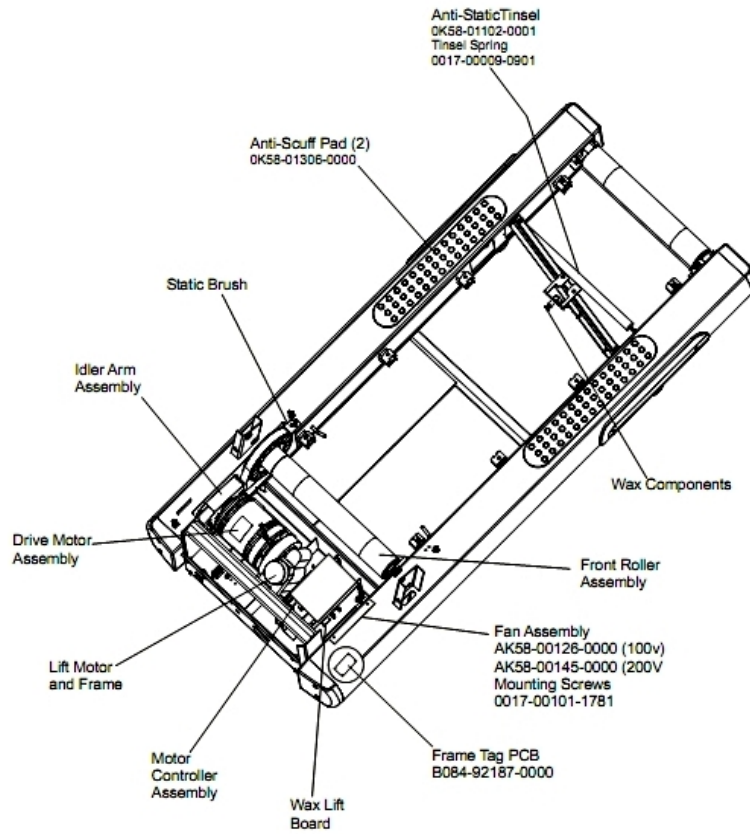
Ref #	Part Number	Qty	Description
-	0017-00101-1275	8	Hardware: Phillips Screw 0.375"
-	0017-00101-1288	8	Hardware: Phillips Screw 0.5"
-	OK58-01357-0000	1	Decal
-	A084-92184-A004	1	PCB Assembly
-	AK58-00198-0001	1	Console Assembly - English/Metric
-	AK58-00204-0001	1	Overlay Switch Bezel Assembly English/Metric
-	OK58-01272-0000	1	Rear Console Case
-	OK58-01280-0000	1	Accessory Cover
-	0017-00032-0185	1	Micro Switch 150GR
-	AK58-00322-0000	1	Tether Stop Assembly
-	OK40-01070-0000	1	Magnetic Disk
-	OK58-01359-0000	1	Rubber Pad
-	AK58-00237-0000	1	Cable-Assembly: Polar/E-Stop
-	OK58-01273-0001	1	Front Console Case
-	118E-00001-0128	1	Switch Membrane
-	OK58-01321-0000	1	Stop Switch
-	118E-00001-0259	1	Wireless Receiver Module, Non-Coded

Drive Motor Assembly



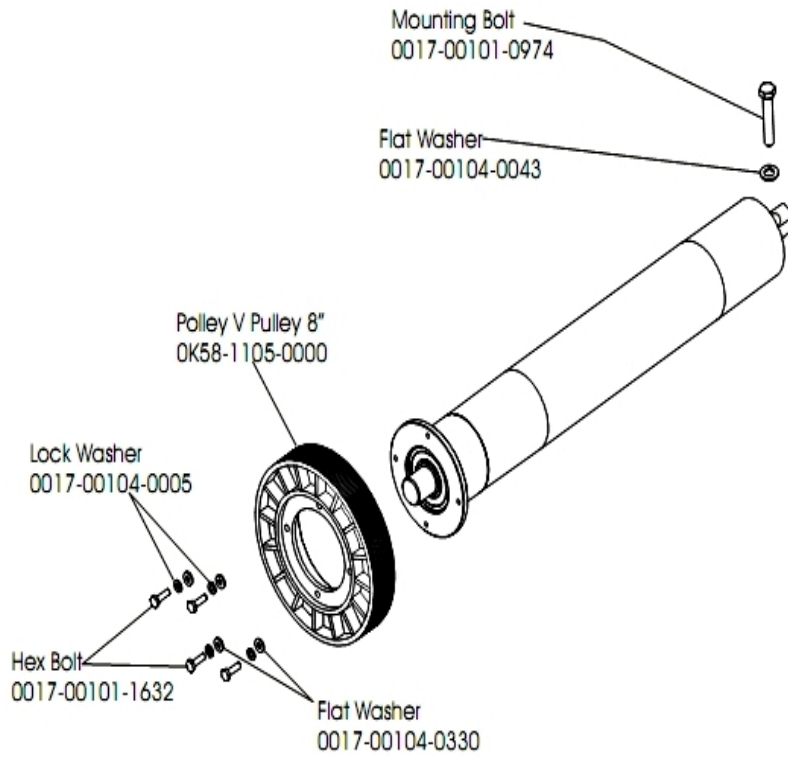
Ref #	Part Number	Qty	Description
-	0017-00101-0975	2	Hardware: Mounting Bolt 0.375"
-	0017-00103-0027	4	Hardware: Locking Nut. 5/16" ID
-	OK58-01057-0001	1	Drive Pulley - 1.971"
-	AK58-00171-0000	1	Motor with Caution Label
-	OK58-01255-0000	4	Hardware: Insulating Washers
-	0017-00101-1631	3	Hardware: Sensor Wheel Mounting Screw
-	OK58-01094-0000	1	Sensor Wheel
-	AK58-00090-0002	1	Flywheel Assembly
-	OK58-01256-0001	2	Insulating Pad
-	0017-00104-0409	4	Hardware: Washer 1.125" OD
-	AK58-00073-0001	1	Speed Sensor Assembly

Frame Assembly



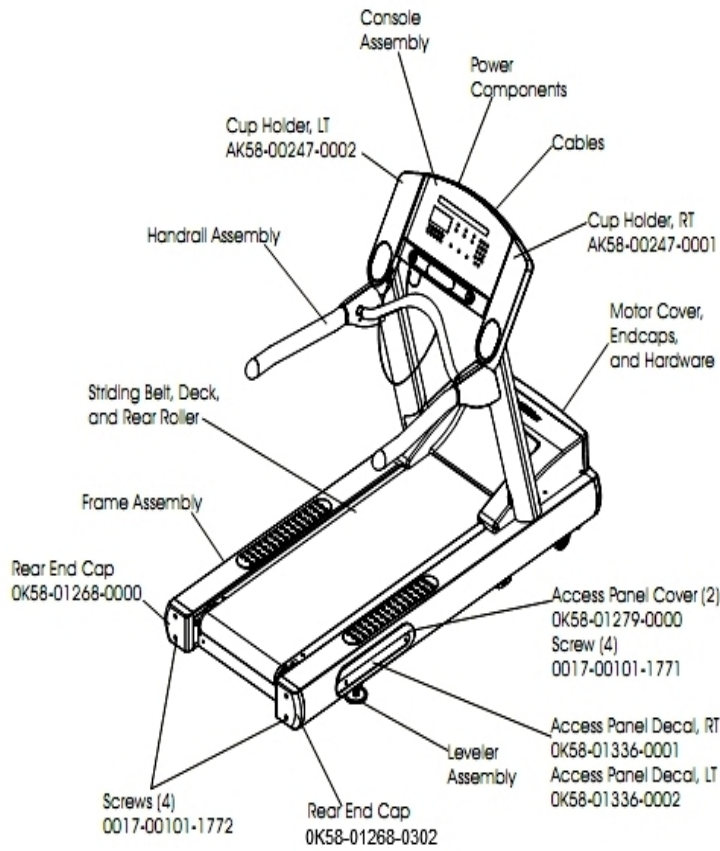
Ref #	Part Number	Qty	Description
-	OK58-01102-0001	1	Anti-Static Tinsel
-	0017-00101-1781	1	Hardware: Phillips Pan Screw 0.5"
-	B084-92187-D000	1	Frame Tag PCB
-	AK58-00126-0000	1	Fan Assembly (100v)
-	OK58-01376-0000	2	Anti-Scuff Pad
-	0017-00009-0901	1	Tinsel Extension Spring

Front Roller Assembly



Ref #	Part Number	Qty	Description
-	AK58-00066-0000	1	Front Roller Assembly
-	0017-00104-0330	4	Hardware: Flat Washers 0.562" OD
-	0017-00104-0005	4	Hardware: Lock Washer 0.489" OD
-	0017-00104-0043	1	Hardware: Flat Washer 0.734" OD
-	0K58-01105-0000	1	Drive Pulley Poly V - 8"
-	0017-00101-0974	1	Hardware: Mounting Bolt 2"
-	0017-00101-1632	4	Hardware: Hex Bolt 0.875"

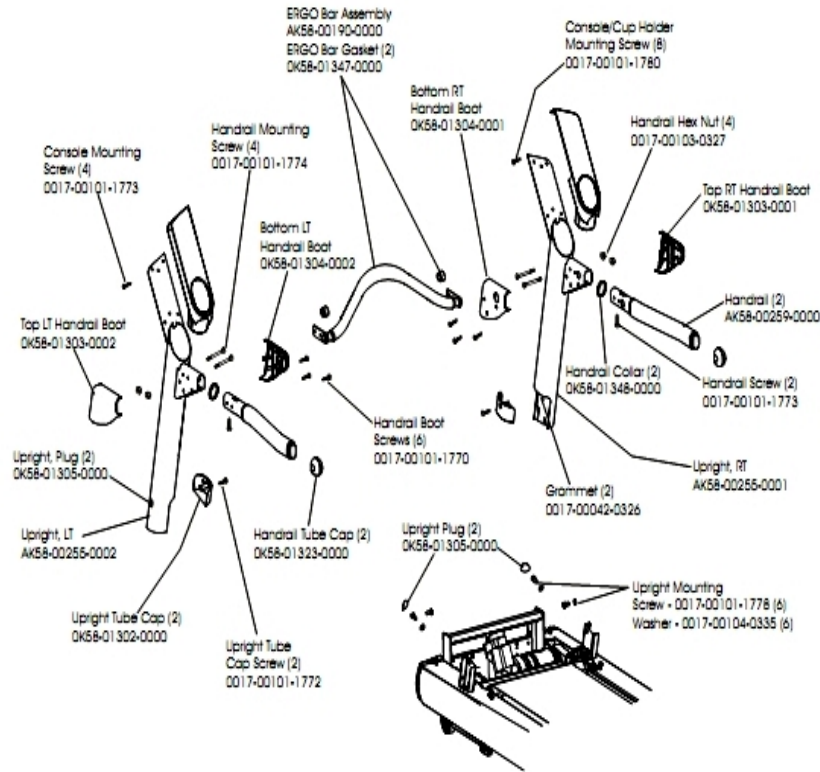
General Assembly



Ref #	Part Number	Qty	Description
-	0K58-01336-0001	1	Access Panel Decal Right
-	0017-00008-0197	1	Paint: Silver Bullet; 4.5OZ. Can
-	0017-00008-0199	1	Paint: Stealth Grey; 4.5OZ. Can
-	0K58-01268-0302	2	ENDCAP: REAR; STEALTH D
-	0017-00101-1772	4	Hardware: Phillips Pan Screw 0.5"
-	0K58-01279-0000	2	Access Panel Cover
-	0017-00008-0198	1	Paint: Stealth Grey; .6OZ. Bottle B
-	0017-00101-1771	4	Hardware: Phillips Pan Screw
-	AK58-00247-0001	1	Cup Holder Right
-	0017-00008-0196	1	Paint: Silver Bullet; .6OZ. Bottle
-	AK58-00247-0002	1	Cup Holder Left
-	0K58-01336-0002	1	Access Panel Decal Left

Handrail Assembly

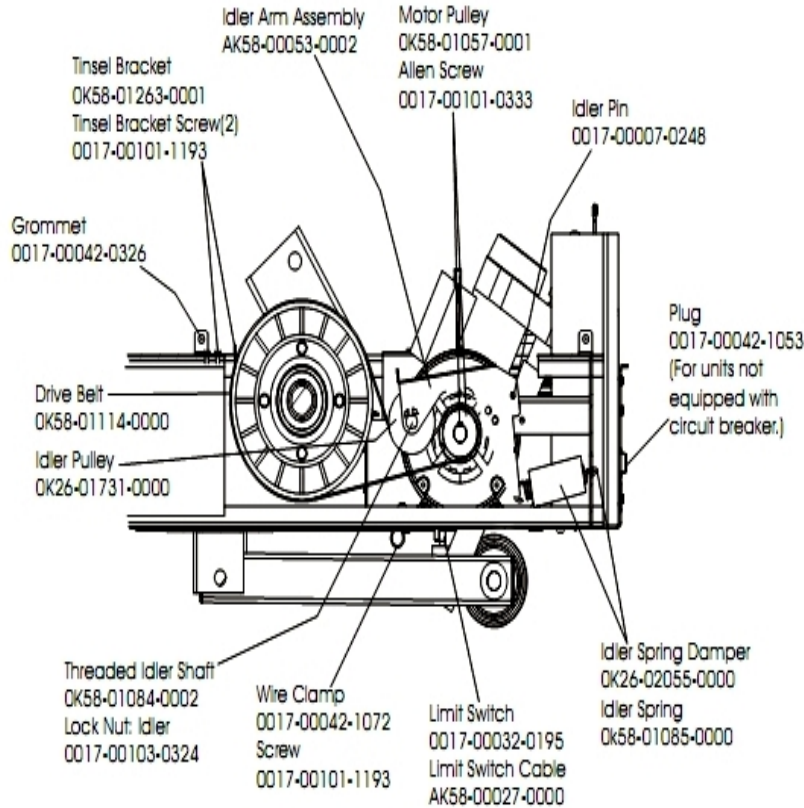
**Hardware Bag Assembly
AK58-00227-0000**



Ref #	Part Number	Qty	Description
-	0017-00101-1773	6	Hardware: TORX Screw 0.5"
-	OK58-01348-0000	2	Handrail Collar
-	AK58-00190-0000	1	Ergo Bar Assembly
-	OK58-01323-0000	2	Handrail Tube Cap
-	OK58-01303-0002	1	Top Left Handrail Boot
-	AK58-00259-0000	2	Handrail
-	OK58-01304-0001	1	Bottom Right Handrail Boot
-	OK58-01304-0002	1	Bottom Left Handrail Boot
-	AK58-00227-0000	1	Hardware Bag
-	0017-00101-1772	2	Hardware: Phillips Pan Screw 0.5"
-	OK58-01303-0001	1	Top Right Handrail Boot
-	OK58-01347-0000	2	ErgoBar Gasket
-	0017-00042-0326	2	Hardware: Plastic Grommet
-	0017-00103-0327	4	Hardware: Hex Nut 5/16" ID
-	OK58-01302-0103	2	Cap: Upright Tube; Arctic Silver
-	OK58-01305-0002	4	Upright Plug
-	AK58-00311-0004	1	Upright: Left
-	0017-00101-1778	6	Hardware: Hex Bolt 1"
-	0017-00101-1774	4	Hardware: TORX Screw 2.5"
-	0017-00101-1780	8	Hardware: Mounting Screws
-	0017-00104-0335	6	Hardware: Handrail Washer
-	AK58-00311-0003	1	Upright: Right

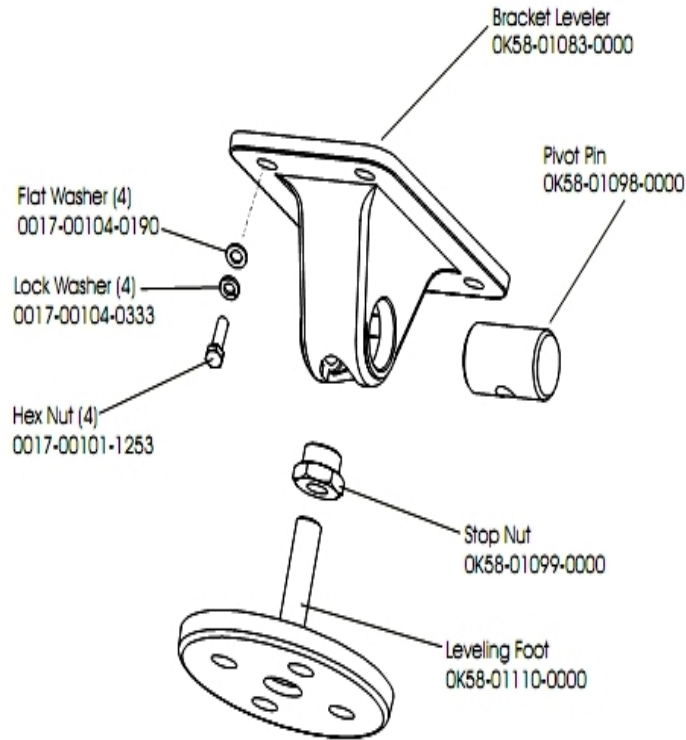
Ref #	Part Number	Qty	Description
-	0017-00101-1770	6	Hardware: Phillips Pan Screw 0.5"

Idler Arm Assembly



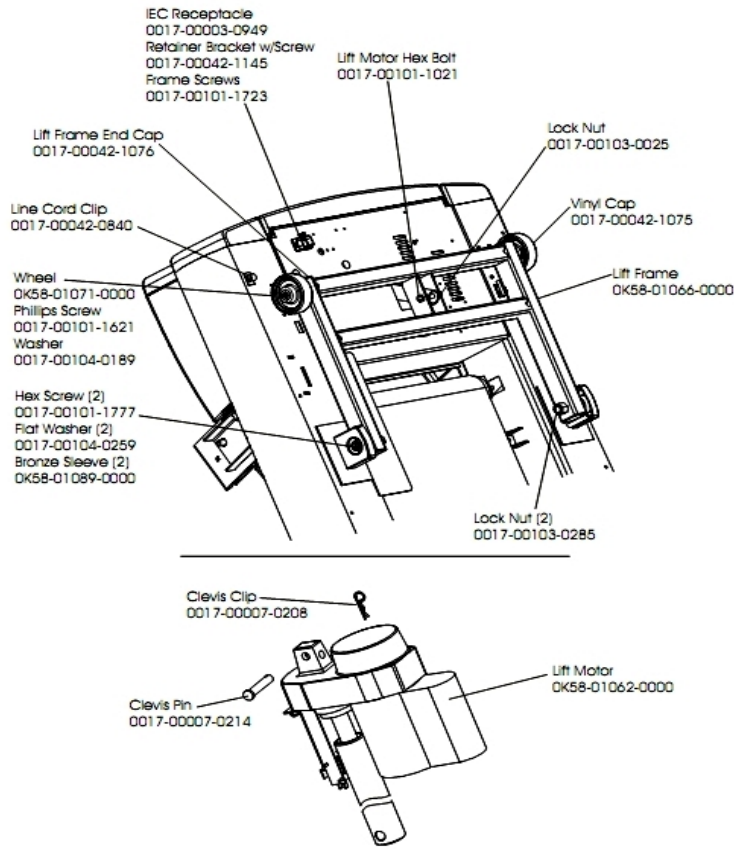
Ref #	Part Number	Qty	Description
-	OK58-01057-0001	1	Drive Pulley - 1.971"
-	OK58-01263-0001	1	Tinsel Bracket
-	0017-00103-0324	1	Hardware: Thin Lock Nut 3/8" ID
-	AK58-00027-0000	1	Limit Switch Cable
-	OK26-01731-0000	1	Plastic Idler 2 5/8" OD
-	OK26-02055-0000	1	Spring Damper
-	0017-00032-0195	1	Home Switch
-	0017-00042-1072	1	Hardware: Wire Clamp - 5/8"
-	0017-00007-0248	1	Hardware: Locking Pin .31" D 2.125" L
-	0017-00042-0326	1	Hardware: Plastic Grommet
-	0017-00101-1193	3	Hardware: Screw 0.375"
-	OK58-01114-0000	1	Poly-V Drive Belt - 370J12
-	OK58-01084-0002	1	Threaded Shaft
-	0017-00101-0333	1	Hardware: Screw 0.3125"
-	AK58-00053-0002	1	Idler Arm Assembly
-	OK58-01085-0000	1	Extension Spring
-	0017-00042-1053	1	Plug (For units not equipped with circuit breaker.)

Leveler Assembly



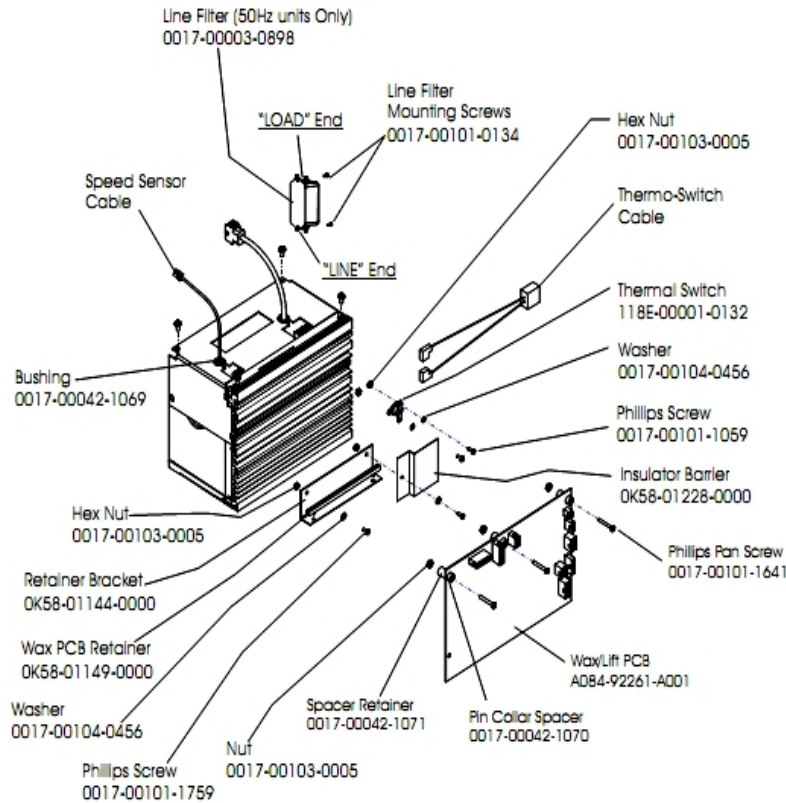
Ref #	Part Number	Qty	Description
-	OK58-01098-0000	1	Hardware: Pivot Pin
-	OK58-01099-0000	1	Hardware: Stop Nut
-	0017-00104-0190	4	Hardware: Flat Washer 0.734" OD
-	AK58-00370-0000	1	Leveler Assembly
-	OK58-01083-0000	1	Leveler Bracket
-	OK58-01110-0000	1	Leveler Foot
-	0017-00104-0333	4	Hardware: Washer 0.683" OD
-	0017-00101-1253	4	Hardware: Screw

Lift Motor and Frame



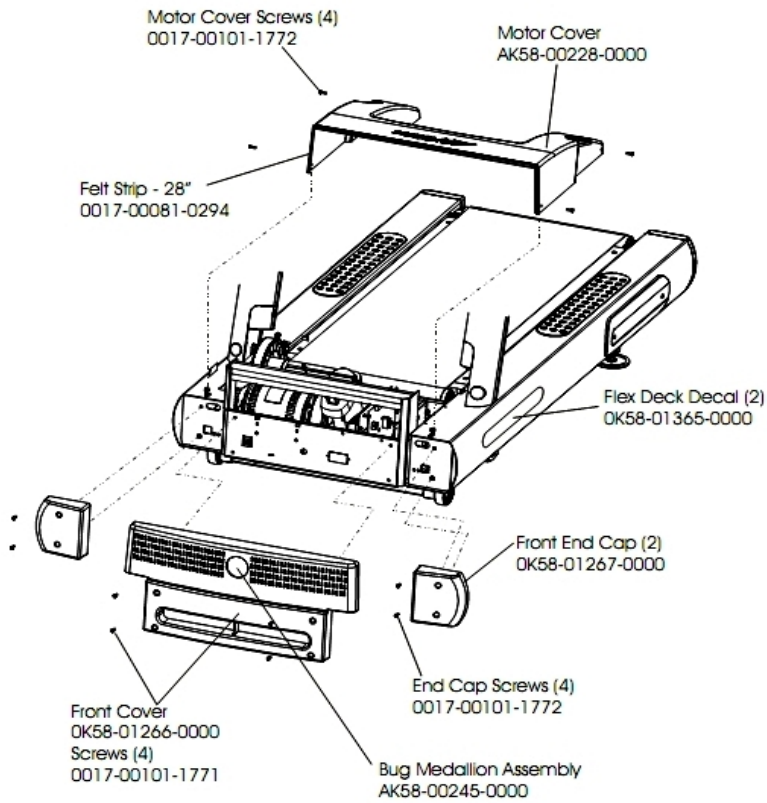
Ref #	Part Number	Qty	Description
-	0017-00103-0285	2	Hardware: Nut 5/8" ID
-	0017-00007-0208	1	Hardware: Cotter Pin
-	0017-00101-1621	1	Hardware: Phillips Screw 0.5"
-	0017-00101-1777	2	Hardware: Lift Frame Mounting Bolt 2.75"
-	0017-00104-0189	2	Hardware: Flat Washer 1" OD
-	0017-00101-1723	8	Hardware: Phillips Pan Screw 0.375"
-	0017-00042-1145	1	Power Cord Retainer
-	0017-00101-1021	1	Hardware: Lift Motor Hex Bolt 2.5"
-	0017-00103-0025	1	Hardware: Locking Nut 3/8" ID
-	0017-00104-0259	2	Hardware: Washer 1.331" OD
-	0017-00042-1076	2	Lift Frame End Cap
-	AK58-00220-0000	1	LIFT-FRAME ASSY: MFG. C
-	OK58-01062-0000	1	Lift Motor - 120/60
-	OK58-01089-0000	2	Bronze Sleeve Bushings
-	0017-00042-0840	1	Hardware: Push Mount Clip
-	OK58-01071-0000	2	Wheel
-	0017-00042-1075	1	Vinyl Cap
-	0017-00003-0949	1	IEC Receptacle
-	0017-00007-0214	1	Hardware: Clevis Pin 3/8" D 1.75" L

Motor Controller Assembly



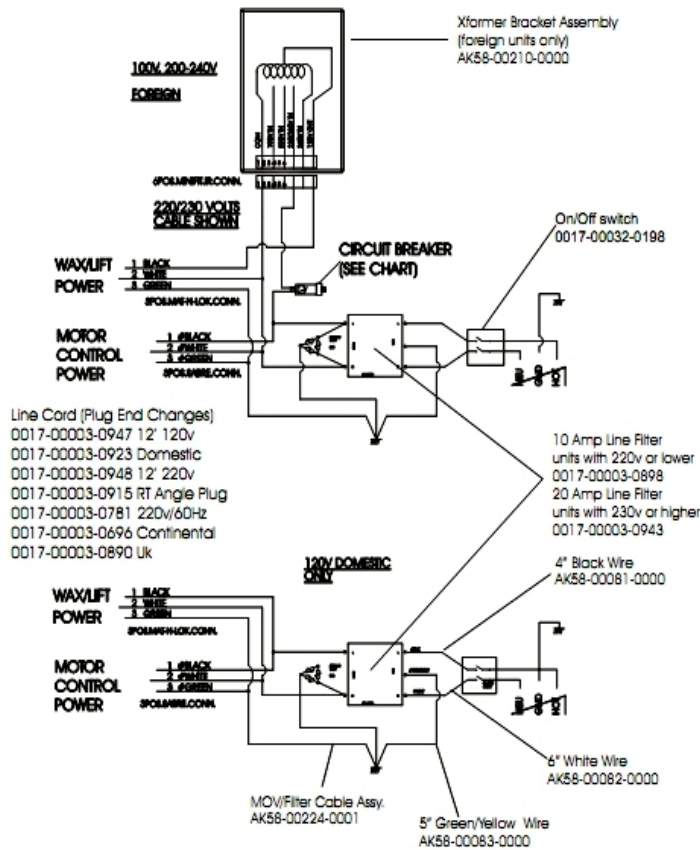
Ref #	Part Number	Qty	Description
-	0017-00042-1071	1	Spacer Retainer
-	0K58-01228-0000	1	Insulator Barrier
-	0017-00101-1759	1	Hardware: Phillips Screw 0.625"
-	0K58-01144-0000	1	Retainer Bracket
-	A084-92261-A001	1	Wax/Lift PCB
-	0017-00101-1641	1	Hardware: Phillips Pan Screw
-	0K58-01149-0000	1	Wax PCB Retainer
-	0017-00101-1059	1	Hardware: Phillips Screw
-	0017-00042-1070	1	Pin Collar Spacer
-	118E-00001-0132	1	Thermal Switch
-	GK65-00002-0019	1	Motor Controller Assembly (200-240V)
-	0017-00101-0134	1	Hardware: Line Filter Mounting Screws
-	0017-00042-1069	1	Bushing
-	0017-00103-0005	3	Hardware: Hex Nut
-	0017-00104-0456	2	Hardware: Washer 0.31" OD

Motor Cover, End Caps and Hardware



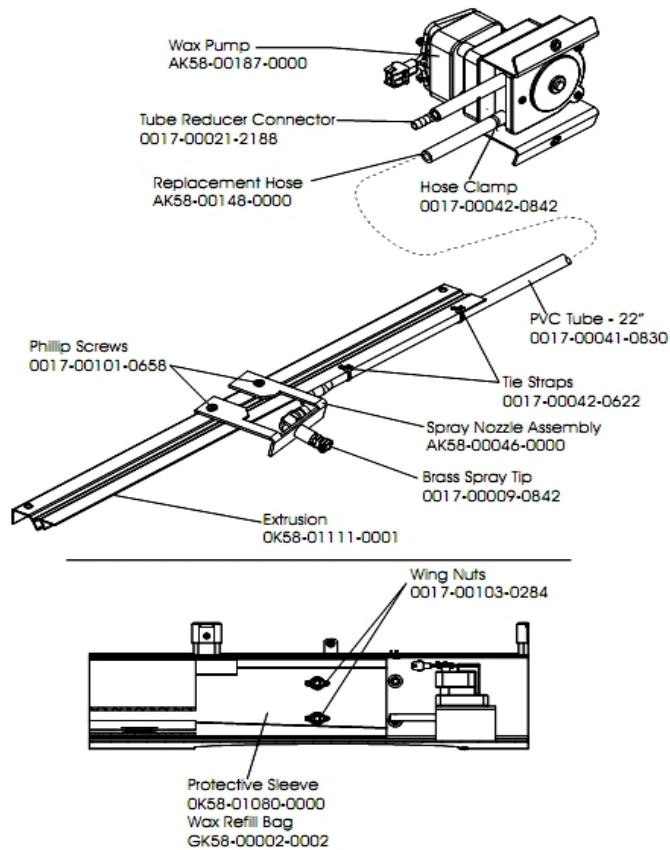
Ref #	Part Number	Qty	Description
-	OK58-01267-0000	2	End Cap
-	0017-00101-1771	4	Hardware: Phillips Pan Screw
-	0017-00081-0294	1	Felt Strip - 28"
-	OK58-01266-0000	1	Front Cover
-	AK58-00245-0000	1	Bug Medallion
-	0017-00101-1772	8	Hardware: Phillips Pan Screw 0.5"
-	OK58-01365-0000	2	Decal
-	AK58-00228-0000	1	Motor Cover

Power Components Schematic



Ref #	Part Number	Qty	Description
-	GK58-00002-0064	1	220/230v Power Cable
-	0017-00003-0948	1	12' 220v Line Cord
-	0017-00032-0198	1	On/Off Switch 22A
-	AK58-00210-0000	1	Transformer-Bracket Assembly
-	0017-00003-0626	1	CIRCUIT-BREAKER:2A 200-240V
-	AK58-00224-0001	1	Cable: MOV; Fliter
-	0017-00003-0781	1	Line Cord: US High Voltage
-	AK58-00083-0000	1	Cable Assembly
-	AK58-00082-0000	1	Jumper Cable Assembly: White - 6"

Wax Components



Ref #	Part Number	Qty	Description
-	OK58-01111-0001	1	Extrusion Assembly
-	AK58-00046-0000	1	Spray Nozzle Assembly
-	0017-00009-0842	1	Brass Spray Tip
-	0017-00041-0830	1	TUBING: PVC; REINFORCED B
-	AK58-00148-0000	1	Replacement Hose
-	0017-00021-2188	1	Tube Reducer Connector
-	GK58-00002-0002	1	Wax Refill Bag
-	0017-00042-0842	1	Hose Clamp
-	0017-00101-0658	1	Hardware: Access Panel Screws
-	0017-00103-0284	1	Hardware: Wing Nut
-	OK58-01080-0000	1	Protective Sleeve
-	AK58-00187-0000	1	Wax Pump
-	0017-00042-0622	1	Cable Tie

