

93T Treadmill - 4HP AC

93T-0103-06

Parts Manual

1/5/2019 8:09:58 AM

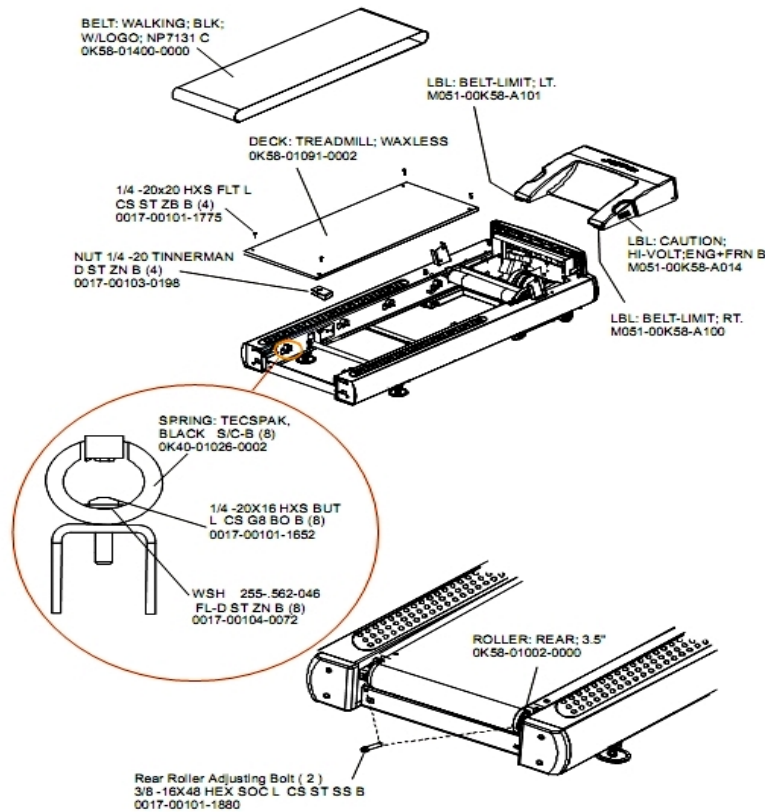


LifeFitness
WHAT WE LIVE FOR

Table of Contents

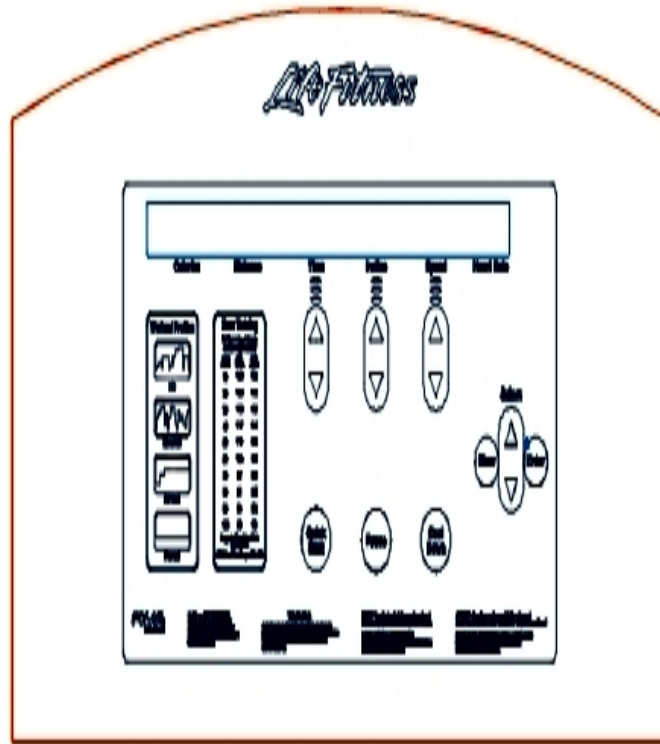
| | |
|---|----|
| Belt, Deck and Rear Roller | 3 |
| Console | 4 |
| Console Components | 5 |
| Drive Motor Assembly | 6 |
| DSP Controller Assembly | 7 |
| Ergo Bar with Lifepulse | 8 |
| Front Roller Assembly | 9 |
| Idler Arm Assembly | 10 |
| Leg Leveler Assembly | 11 |
| Lift Frame and Lift Motor | 12 |
| Line Cords | 13 |
| Motor Cover, Front Cover and Front End Caps | 14 |
| On-Off Switch, Access Plate and Grommets | 15 |
| Rear End Caps and Cup Holders | 16 |
| References | 17 |
| Scuff Pad and Tinsel | 19 |
| Unlabeled Parts | 20 |
| Uprights, Handrails and Ergo Bar | 21 |

Belt, Deck and Rear Roller



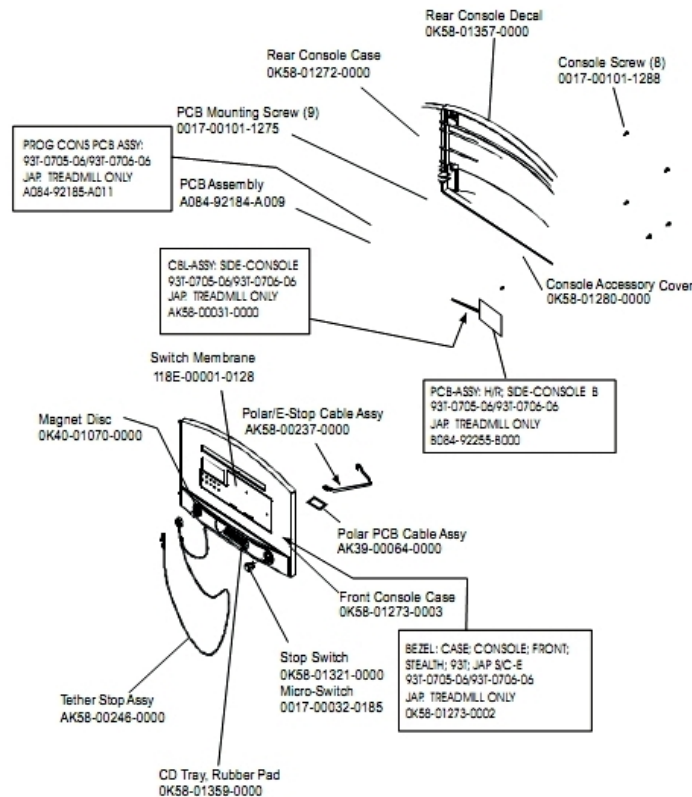
| Ref # | Part Number | Qty | Description |
|-------|-----------------|-----|------------------------------------|
| - | 0017-00101-1775 | 4 | Hardware: Deck Screws 1.25" |
| - | OK40-01026-0002 | 8 | Deck Spring |
| - | OK65-01263-0000 | 1 | Deck |
| - | 0017-00103-0198 | 4 | Hardware: Tinnerman Clip 1/4" ID |
| - | 0017-00104-0072 | 8 | Hardware: Flat Washer 0.562" OD |
| - | M051-00K58-A101 | 1 | Belt Limit Label. Left |
| - | OK58-01400-0000 | 1 | Striding Belt |
| - | 0017-00101-1652 | 8 | Hardware: Spring Mounting Screw 1" |
| - | 0017-00101-1880 | 1 | Hardware: Tension Bolts 3" |
| - | OK58-01002-0000 | 1 | Rear Roller - 3.5" |
| - | M051-00K58-A014 | 1 | Label: Caution |
| - | M051-00K58-A100 | 1 | Label: Belt Limit: Right |

Console



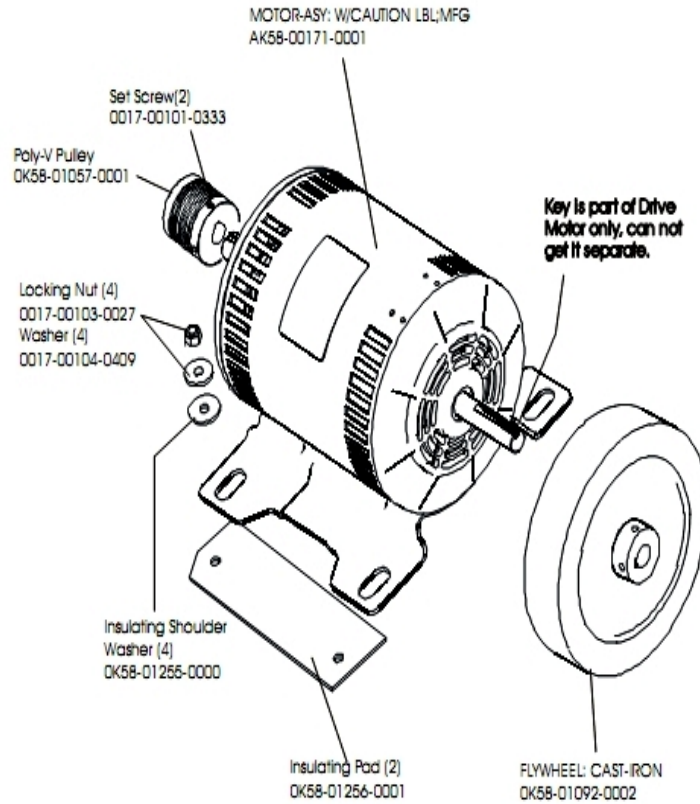
| Ref # | Part Number | Qty | Description |
|-------|-----------------|-----|---|
| - | 0K58-01432-0001 | 1 | Overlay English/Imperial |
| - | AK58-00481-0002 | 1 | Console: English/Metric |
| - | AK58-00526-0001 | 1 | Bezel Switch with Overlay: English/Metric |

Console Components



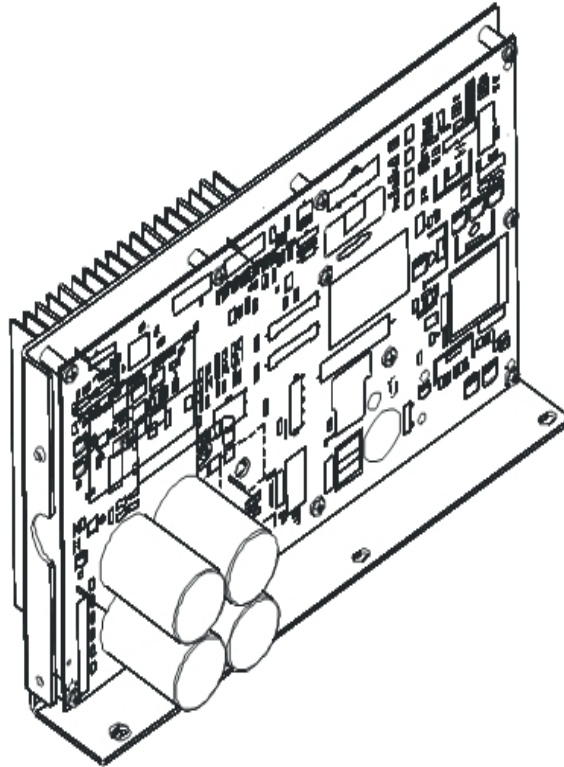
| Ref # | Part Number | Qty | Description |
|-------|-----------------|-----|-------------------------------------|
| - | 118E-00001-0128 | 1 | Switch Membrane |
| - | B084-92255-B000 | 1 | PCB Assembly |
| - | AK58-00031-0000 | 1 | Side Console Cable Assembly |
| - | AK58-00237-0000 | 1 | Cable-Assembly: Polar/E-Stop |
| - | 0K58-01359-0000 | 1 | Rubber Pad |
| - | 0K40-01070-0000 | 1 | Magnetic Disk |
| - | 118E-00001-0259 | 1 | Wireless Receiver Module, Non-Coded |
| - | AK58-00322-0000 | 1 | Tether Stop Assembly |
| - | 0017-00032-0185 | 1 | Micro Switch 150GR |
| - | 0K58-01280-0000 | 1 | Accessory Cover |
| - | A084-92184-A009 | 1 | PCB Assembly |
| - | 0K58-01273-0002 | 1 | Front Console Case - Japanese |
| - | 0017-00101-1275 | 9 | Hardware: Phillips Screw 0.375" |
| - | 0017-00101-1288 | 8 | Hardware: Phillips Screw 0.5" |
| - | 0K58-01357-0000 | 1 | Decal |
| - | 0K58-01272-0000 | 1 | Rear Console Case |
| - | A084-92185-A011 | 1 | PCB Assembly: Japanese |
| - | 0K58-01321-0000 | 1 | Stop Switch |
| - | 0K58-01273-0003 | 1 | Front Console Case |

Drive Motor Assembly



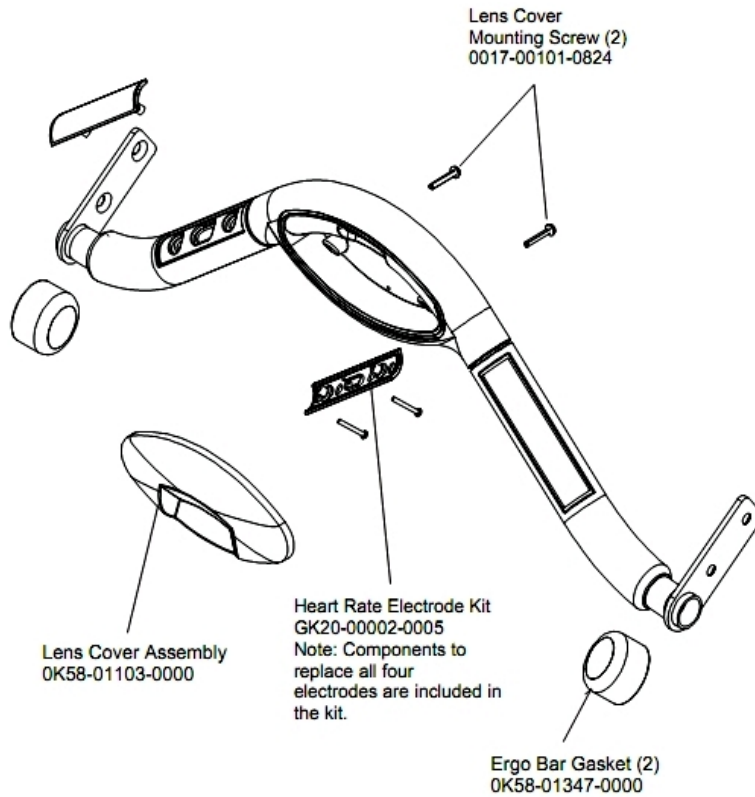
| Ref # | Part Number | Qty | Description |
|-------|-----------------|-----|---------------------------------|
| - | 0017-00104-0409 | 4 | Hardware: Washer 1.125" OD |
| - | 0017-00101-0333 | 2 | Hardware: Screw 0.3125" |
| - | OK58-01255-0000 | 4 | Hardware: Insulating Washers |
| - | OK58-01256-0001 | 2 | Insulating Pad |
| - | OK58-01092-0002 | 1 | Cast Iron Flywheel |
| - | OK58-01057-0001 | 1 | Drive Pulley - 1.971" |
| - | 0017-00103-0027 | 4 | Hardware: Locking Nut. 5/16" ID |
| - | AK58-00171-0001 | 1 | Drive Motor Assembly |

DSP Controller Assembly



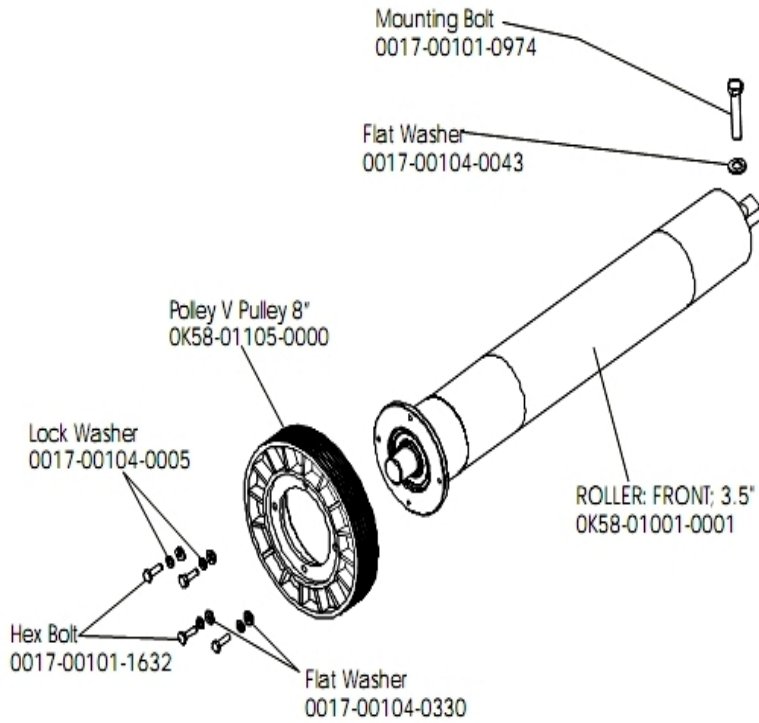
| Ref # | Part Number | Qty | Description |
|-------|-----------------|-----|-----------------------------------|
| - | GK58-00002-0120 | 1 | Display Controller 200-240; LED |
| - | AK65-00071-0009 | 1 | DSP Controller 200-240 |
| - | GK58-00002-0120 | 1 | Display Controller 200-240; LED |
| - | GK58-00002-0120 | 1 | Display Controller 200-240; LED |
| - | GK58-00002-0120 | 1 | Display Controller 200-240; LED |
| - | AK58-00522-0000 | 1 | Cable: Jumper; Power; LED Console |

Ergo Bar with Lifepulse



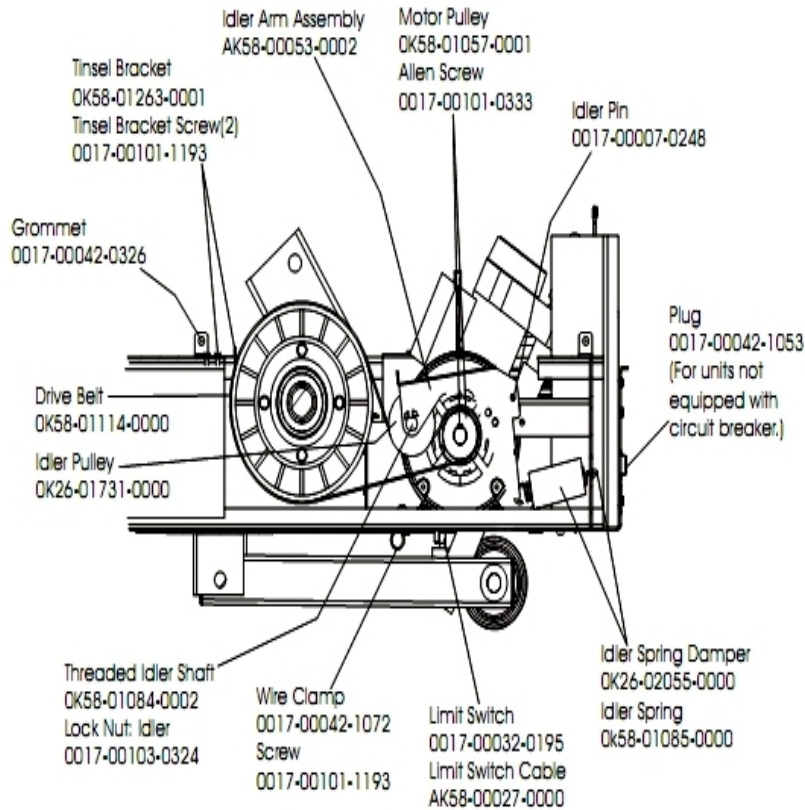
| Ref # | Part Number | Qty | Description |
|-------|-----------------|-----|--------------------------|
| - | AK58-00064-0000 | 1 | I/R Lens Cover Assembly |
| - | 0017-00101-0824 | 2 | Hardware: Screw 1.125" |
| - | 0K58-01347-0000 | 2 | ErgoBar Gasket |
| - | GK20-00002-0005 | 2 | Heart Rate Electrode Kit |

Front Roller Assembly



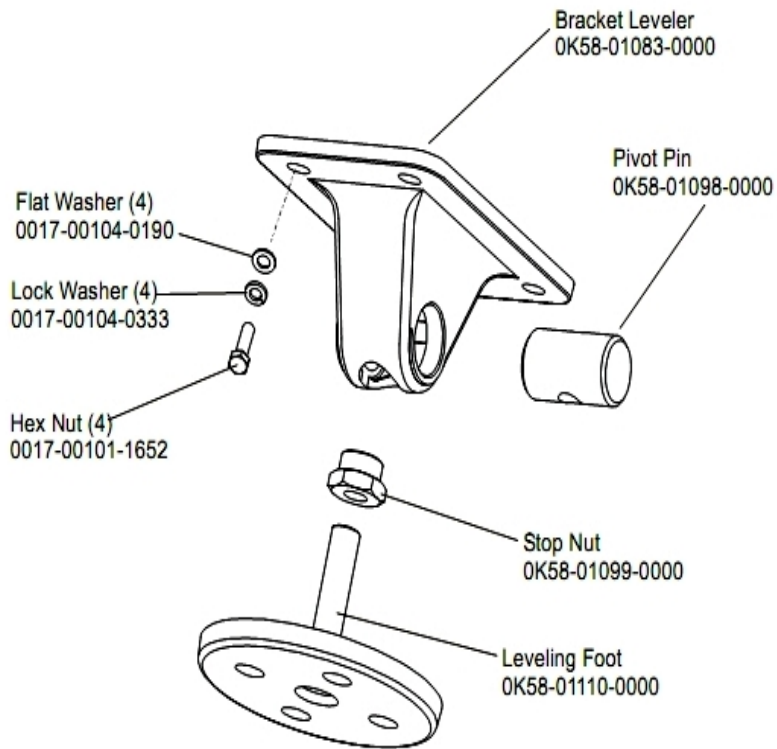
| Ref # | Part Number | Qty | Description |
|-------|-----------------|-----|----------------------------------|
| - | 0017-00101-0974 | 1 | Hardware: Mounting Bolt 2" |
| - | 0017-00101-1632 | 4 | Hardware: Hex Bolt 0.875" |
| - | 0K58-01105-0000 | 1 | Drive Pulley Poly V - 8" |
| - | 0K58-01001-0001 | 1 | Front Roller - 3.5" |
| - | 0017-00104-0005 | 4 | Hardware: Lock Washer 0.489" OD |
| - | 0017-00104-0330 | 4 | Hardware: Flat Washers 0.562" OD |
| - | AK58-00066-0000 | 1 | Front Roller Assembly |
| - | 0017-00104-0043 | 1 | Hardware: Flat Washer 0.734" OD |

Idler Arm Assembly



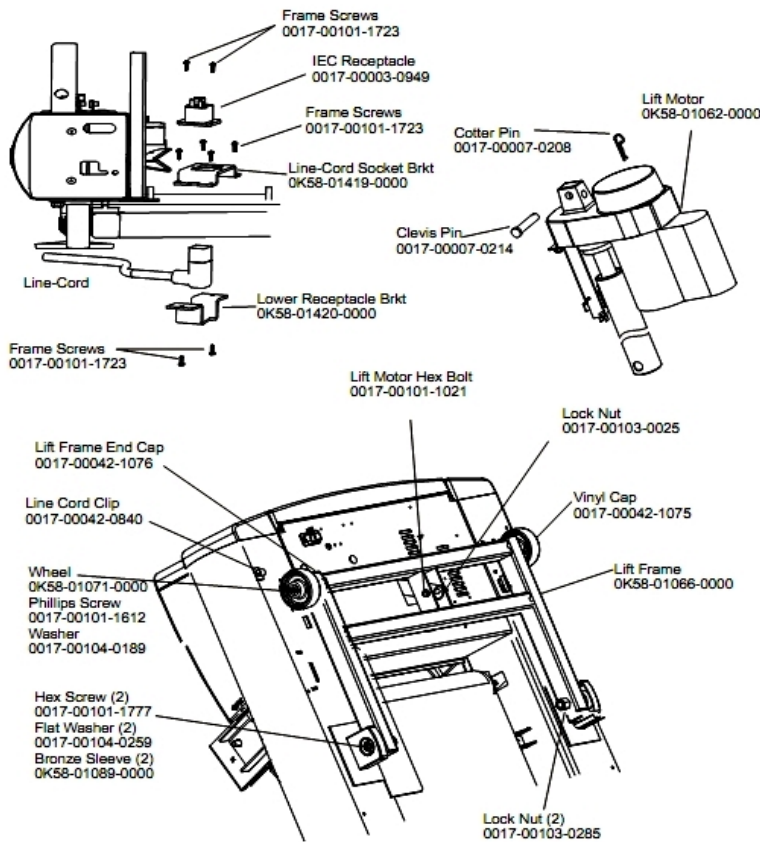
| Ref # | Part Number | Qty | Description |
|-------|-----------------|-----|---|
| - | OK58-01057-0001 | 1 | Drive Pulley - 1.971" |
| - | OK58-01263-0001 | 1 | Tinsel Bracket |
| - | 0017-00103-0324 | 1 | Hardware: Thin Lock Nut 3/8" ID |
| - | AK58-00027-0000 | 1 | Limit Switch Cable |
| - | OK26-01731-0000 | 1 | Plastic Idler 2 5/8" OD |
| - | OK26-02055-0000 | 1 | Spring Damper |
| - | 0017-00032-0195 | 1 | Home Switch |
| - | 0017-00042-1072 | 1 | Hardware: Wire Clamp - 5/8" |
| - | 0017-00007-0248 | 1 | Hardware: Locking Pin .31" D 2.125" L |
| - | 0017-00042-0326 | 1 | Hardware: Plastic Grommet |
| - | 0017-00101-1193 | 3 | Hardware: Screw 0.375" |
| - | OK58-01114-0000 | 1 | Poly-V Drive Belt - 370J12 |
| - | OK58-01084-0002 | 1 | Threaded Shaft |
| - | 0017-00101-0333 | 1 | Hardware: Screw 0.3125" |
| - | AK58-00053-0002 | 1 | Idler Arm Assembly |
| - | OK58-01085-0000 | 1 | Extension Spring |
| - | 0017-00042-1053 | 1 | Plug (For units not equipped with circuit breaker.) |

Leg Leveler Assembly



| Ref # | Part Number | Qty | Description |
|-------|-----------------|-----|------------------------------------|
| - | OK58-01098-0000 | 1 | Hardware: Pivot Pin |
| - | 0017-00104-0190 | 4 | Hardware: Flat Washer 0.734" OD |
| - | OK58-01099-0000 | 1 | Hardware: Stop Nut |
| - | OK58-01083-0000 | 1 | Leveler Bracket |
| - | 0017-00101-1652 | 4 | Hardware: Spring Mounting Screw 1" |
| - | AK58-00370-0000 | 1 | Leveler Assembly |
| - | 0017-00104-0333 | 4 | Hardware: Washer 0.683" OD |
| - | OK58-01110-0000 | 1 | Leveler Foot |

Lift Frame and Lift Motor

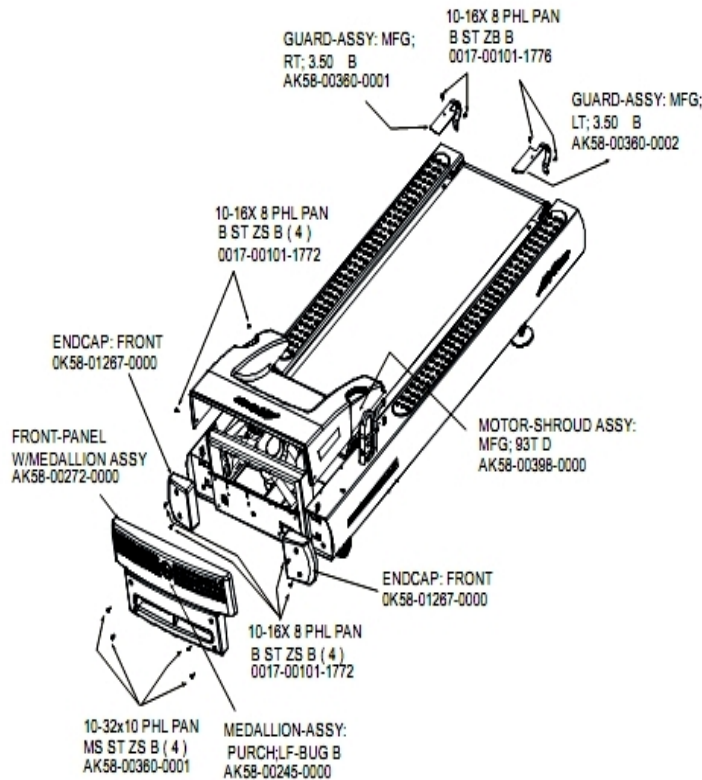


| Ref # | Part Number | Qty | Description |
|-------|-----------------|-----|--|
| - | AK58-00220-0000 | 1 | LIFT-FRAME ASSY: MFG. C |
| - | 0017-00042-1076 | 2 | Lift Frame End Cap |
| - | 0017-00103-0285 | 2 | Hardware: Nut 5/8" ID |
| - | 0017-00007-0208 | 1 | Hardware: Cotter Pin |
| - | 0017-00101-1777 | 2 | Hardware: Lift Frame Mounting Bolt 2.75" |
| - | 0017-00104-0189 | 2 | Hardware: Flat Washer 1" OD |
| - | OK58-01419-0000 | 1 | Line Cord Socket Bracket |
| - | 0017-00101-1723 | 8 | Hardware: Phillips Pan Screw 0.375" |
| - | 0017-00101-1021 | 1 | Hardware: Lift Motor Hex Bolt 2.5" |
| - | 0017-00103-0025 | 1 | Hardware: Locking Nut 3/8" ID |
| - | 0017-00104-0259 | 2 | Hardware: Washer 1.331" OD |
| - | OK58-01062-0000 | 1 | Lift Motor - 120/60 |
| - | OK58-01420-0000 | 1 | Lower Receptacle Bracket |
| - | OK58-01089-0000 | 2 | Bronze Sleeve Bushings |
| - | 0017-00042-0840 | 1 | Hardware: Push Mount Clip |
| - | OK58-01071-0000 | 2 | Wheel |
| - | 0017-00101-1612 | 2 | Hardware: Phillips Screw 0.5" |
| - | 0017-00003-0949 | 1 | IEC Receptacle |
| - | 0017-00007-0214 | 1 | Hardware: Clevis Pin 3/8" D 1.75" L |
| - | 0017-00042-1075 | 1 | Vinyl Cap |

Line Cords

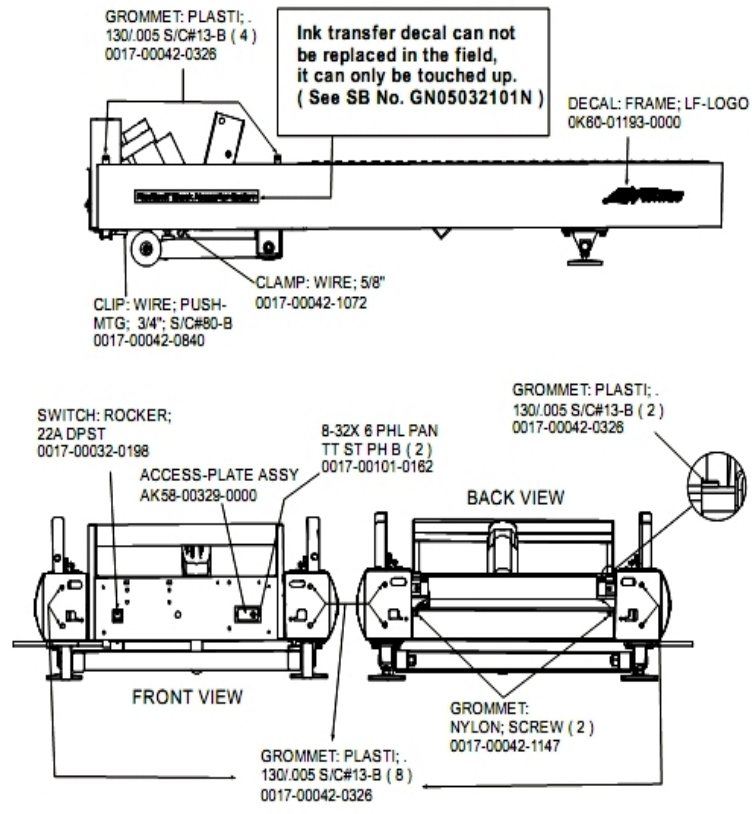
| Ref # | Part Number | Qty | Description |
|-------|-----------------|-----|----------------------------|
| - | 0017-00003-0781 | 1 | Line Cord: US High Voltage |

Motor Cover, Front Cover and Front End Caps



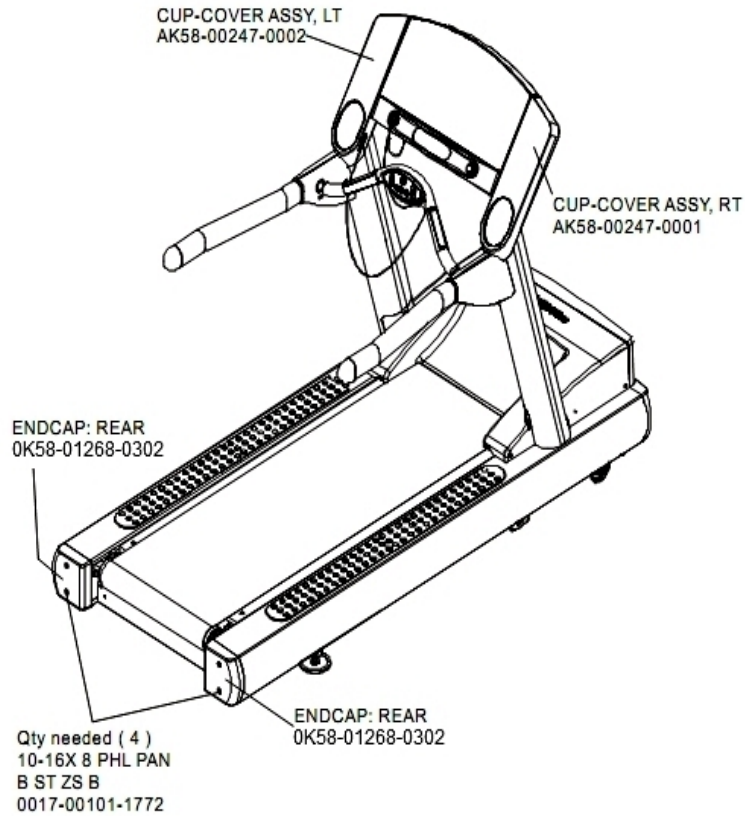
| Ref # | Part Number | Qty | Description |
|-------|-----------------|-----|-----------------------------------|
| - | AK58-00360-0001 | 2 | Rear Roller Guard: Right |
| - | 0017-00101-1772 | 2 | Hardware: Phillips Pan Screw 0.5" |
| - | AK58-00245-0000 | 1 | Bug Medallion |
| - | AK58-00272-0000 | 1 | Front Panel with Medallion |
| - | AK58-00398-0000 | 1 | Motor Shroud Assembly |
| - | 0K58-01267-0000 | 2 | End Cap |
| - | 0017-00101-1776 | 1 | Hardware: Mounting Screw 0.5" |
| - | AK58-00360-0002 | 1 | Rear Roller Guard: Left |

On-Off Switch, Access Plate and Grommets



| Ref # | Part Number | Qty | Description |
|-------|-----------------|-----|-----------------------------|
| - | 0017-00101-0162 | 1 | Hardware: Screw 0.375" |
| - | AK58-00329-0000 | 1 | Access Panel Assembly |
| - | 0017-00042-0840 | 1 | Hardware: Push Mount Clip |
| - | OK60-01193-0000 | 2 | Decal: LF Logo |
| - | 0017-00032-0198 | 1 | On/Off Switch 22A |
| - | 0017-00042-0326 | 3 | Hardware: Plastic Grommet |
| - | 0017-00042-1147 | 1 | Hardware: Nylon Grommet |
| - | 0017-00042-1072 | 1 | Hardware: Wire Clamp - 5/8" |

Rear End Caps and Cup Holders



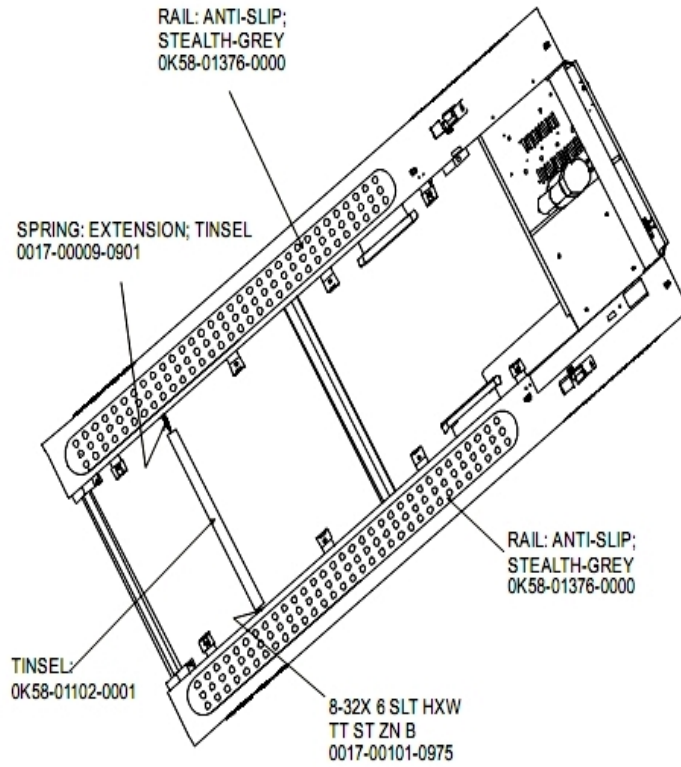
| Ref # | Part Number | Qty | Description |
|-------|-----------------|-----|-----------------------------------|
| - | AK58-00247-0002 | 1 | Cup Holder Left |
| - | 0017-00101-1772 | 1 | Hardware: Phillips Pan Screw 0.5" |
| - | 0K58-01268-0302 | 2 | ENDCAP: REAR; STEALTH D |
| - | AK58-00247-0001 | 1 | Cup Holder Right |

References

| Ref # | Part Number | Qty | Description |
|-------|-----------------|-----|---|
| - | 0017-00008-0205 | 1 | 5 oz Bottle - Arctic Silver |
| - | M051-00K58-B128 | 1 | Service Instructions - Roller Guards |
| - | 0017-00008-0204 | 1 | Paint Spray Can - Arctic Silver |
| - | 0017-00042-0840 | 5 | Hardware: Push Mount Clip |
| - | 0017-00101-1770 | 6 | Hardware: Phillips Pan Screw 0.5" |
| - | 0K58-01376-0000 | 2 | Anti-Scuff Pad |
| - | AK58-00227-0000 | 1 | Hardware Bag |
| - | 0017-00101-1772 | 6 | Hardware: Phillips Pan Screw 0.5" |
| - | 0K58-01347-0000 | 2 | ErgoBar Gasket |
| - | AK58-00360-0002 | 1 | Rear Roller Guard: Left |
| - | 0017-00008-0206 | 1 | .33oz Pen - Arctic Silver |
| - | 0017-00042-0326 | 4 | Hardware: Plastic Grommet |
| - | 0017-00042-1147 | 2 | Hardware: Nylon Grommet |
| - | 0017-00103-0327 | 4 | Hardware: Hex Nut 5/16" ID |
| - | 0K58-01305-0002 | 2 | Upright Plug |
| - | 0017-00101-1778 | 4 | Hardware: Hex Bolt 1" |
| - | 0017-00008-0210 | 1 | Paint: Shadow-Gray Touch Up: .6 OZ Bottle |
| - | 0017-00101-1776 | 4 | Hardware: Mounting Screw 0.5" |
| - | 0017-00104-0325 | 4 | Hardware: Washer 0.873" OD |
| - | 0017-00008-0211 | 1 | Paint: Shadow-Gray Touch Up: .6 OZ Bottle |
| - | 0017-00101-1774 | 4 | Hardware: TORX Screw 2.5" |
| - | 0017-00101-1780 | 8 | Hardware: Mounting Screws |

| Ref # | Part Number | Qty | Description |
|--------------|--------------------|------------|---------------------------|
| - | GK58-00002-0071 | 1 | Anti-Slip Rail |
| - | GK58-00002-0095 | 1 | Roller Guard kit |
| - | AK58-00360-0001 | 1 | Rear Roller Guard: Right |
| - | OK58-01348-0000 | 2 | Handrail Collar |
| - | 0017-00009-1049 | 1 | Torx Wrench |
| - | 0017-00101-1773 | 6 | Hardware: TORX Screw 0.5" |

Scuff Pad and Tinsel

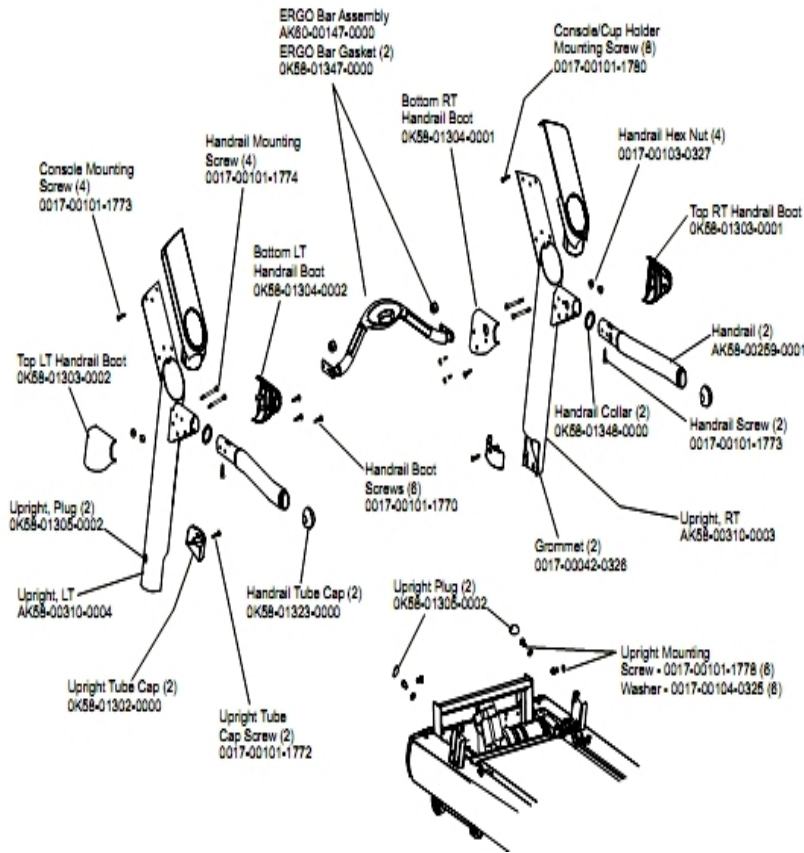


| Ref # | Part Number | Qty | Description |
|-------|-----------------|-----|--------------------------------|
| - | 0017-00101-0975 | 1 | Hardware: Mounting Bolt 0.375" |
| - | 0017-00009-0901 | 1 | Tinsel Extension Spring |
| - | OK58-01102-0001 | 1 | Anti-Static Tinsel |
| - | OK58-01376-0000 | 4 | Anti-Scuff Pad |

Unlabeled Parts

| Ref # | Part Number | Qty | Description |
|-------|-----------------|-----|---------------------------------------|
| - | AK58-00041-0001 | 1 | Heart Rate Sensor Cable |
| - | AK32-00078-0001 | 1 | Power Extension Cable: 120" |
| - | M051-00K20-A409 | 1 | Facility Safety Sign |
| - | AK32-00020-0002 | 1 | Coax Cable: 120" |
| - | AK58-00227-0000 | 1 | Hardware Bag |
| - | AK58-00263-0000 | 1 | Hi-Pot Jumper Cable |
| - | AK58-00081-0000 | 1 | Jumper Cable Assembly: Black - 4" |
| - | AK58-00546-0001 | 1 | Harness Assembly: 120/60 |
| - | 0017-00003-1015 | 1 | 20 amp Line Filter (DOM) |
| - | AK58-00036-0000 | 1 | Cable-Assembly: Emergency-Stop Switch |
| - | AK58-00224-0001 | 1 | Cable: MOV; Fliter |
| - | 0K58-01390-0002 | 1 | Rear Roller Guard Left |
| - | AK58-00514-0000 | 1 | Receptacle Assembly |
| - | AK58-00083-0000 | 1 | Cable Assembly |
| - | AK58-00034-0001 | 1 | Console Power Cable |
| - | AK58-00082-0000 | 1 | Jumper Cable Assembly: White - 6" |
| - | 0017-00021-2810 | 1 | F-Type Right Angle Adaptor |
| - | 0K58-01390-0001 | 1 | Rear Roller Guard Right |

Uprights, Handrails and Ergo Bar



| Ref # | Part Number | Qty | Description |
|-------|-----------------|-----|-----------------------------------|
| - | 0017-00101-1773 | 6 | Hardware: TORX Screw 0.5" |
| - | 0K58-01348-0000 | 2 | Handrail Collar |
| - | 0K58-01323-0000 | 2 | Handrail Tube Cap |
| - | 0K58-01303-0002 | 1 | Top Left Handrail Boot |
| - | 0K58-01304-0001 | 1 | Bottom Right Handrail Boot |
| - | 0K58-01304-0002 | 1 | Bottom Left Handrail Boot |
| - | 0017-00101-1772 | 2 | Hardware: Phillips Pan Screw 0.5" |
| - | 0K58-01303-0001 | 1 | Top Right Handrail Boot |
| - | AK60-00147-0000 | 1 | ERGO Bar with Heart Rate Sensor |
| - | 0K58-01347-0000 | 2 | ErgoBar Gasket |
| - | 0017-00042-0326 | 2 | Hardware: Plastic Grommet |
| - | 0017-00103-0327 | 4 | Hardware: Hex Nut 5/16" ID |
| - | 0K58-01302-0103 | 2 | Cap: Upright Tube; Arctic Silver |
| - | 0K58-01305-0002 | 4 | Upright Plug |
| - | AK58-00259-0001 | 2 | Handrail |
| - | AK58-00311-0004 | 1 | Upright: Left |
| - | 0017-00101-1778 | 6 | Hardware: Hex Bolt 1" |
| - | AK58-00310-0003 | 1 | Upright: Right |
| - | 0017-00104-0325 | 6 | Hardware: Washer 0.873" OD |
| - | 0017-00101-1774 | 4 | Hardware: TORX Screw 2.5" |
| - | 0017-00101-1780 | 8 | Hardware: Mounting Screws |
| - | 0017-00101-1770 | 6 | Hardware: Phillips Pan Screw 0.5" |

