

93T Treadmill - English/Metric 240V+ AUS

93T-0104-04

Parts Manual

1/5/2019 8:11:23 AM

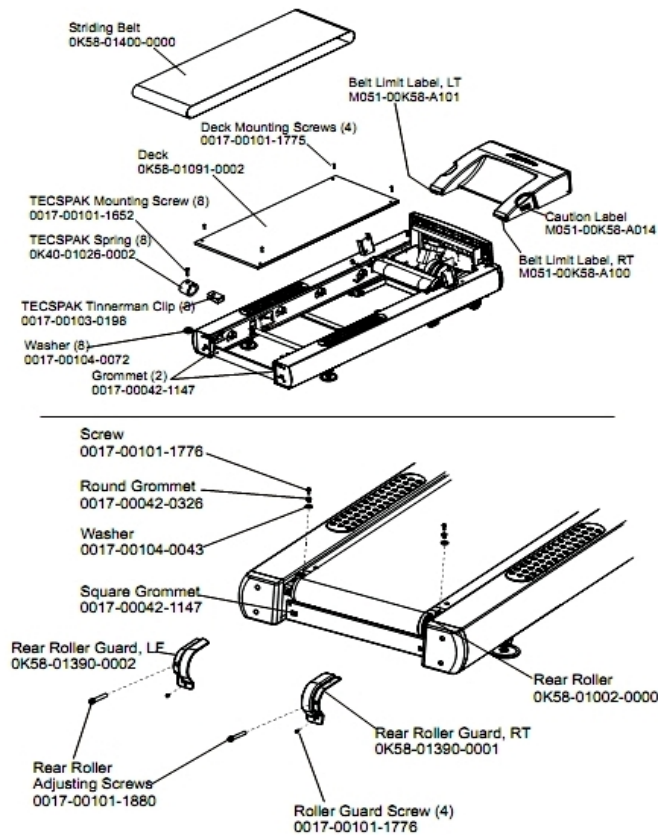


LifeFitness
WHAT WE LIVE FOR

Table of Contents

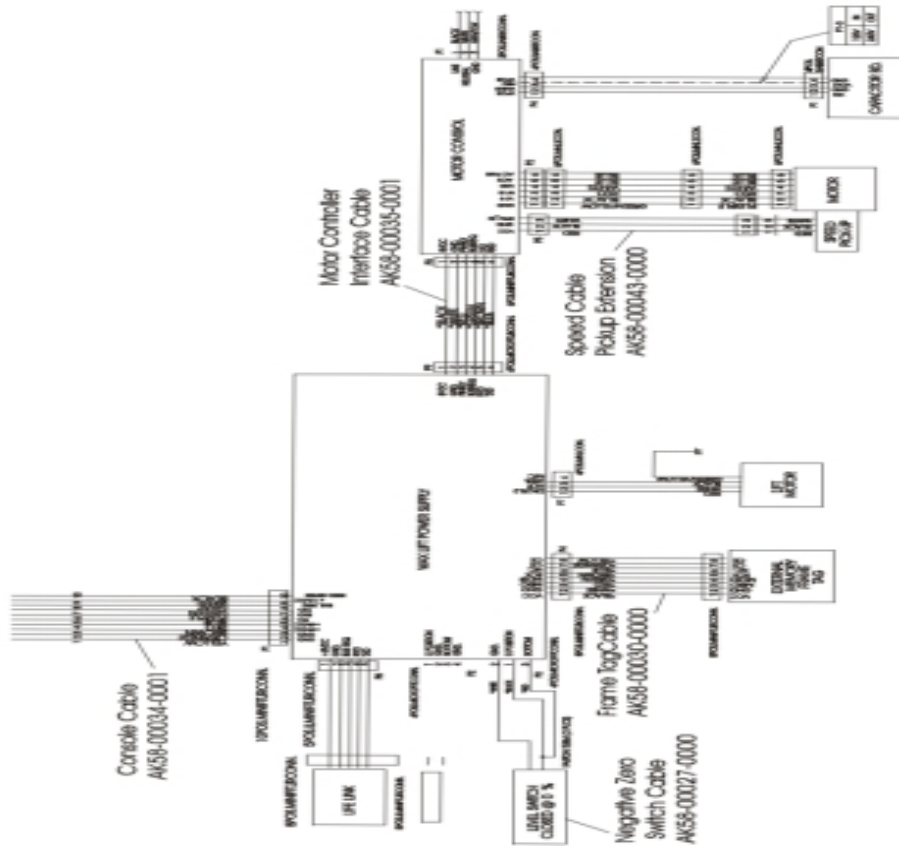
Belt, Deck and Rear Roller	3
Cables	4
Console and Related Components	5
Drive Motor Assembly	6
Ergo Bar with Lifepulse	7
Front Roller Assembly	8
Idler Arm Assembly and Static Brush	9
Leveler Assembly	10
Lift Frame and Lift Motor	11
Motor Controller Assembly	12
Motor Cover, Front Cover and Front End Caps	13
Power Components Schematic	14
Rear End Caps and Cup Holders	15
References	16
Scuff Pad, Tinsel and Frame Tag Board	17
Uprights, Handrails and Ergo Bar	18
Wax/Lift Assembly	19

Belt, Deck and Rear Roller



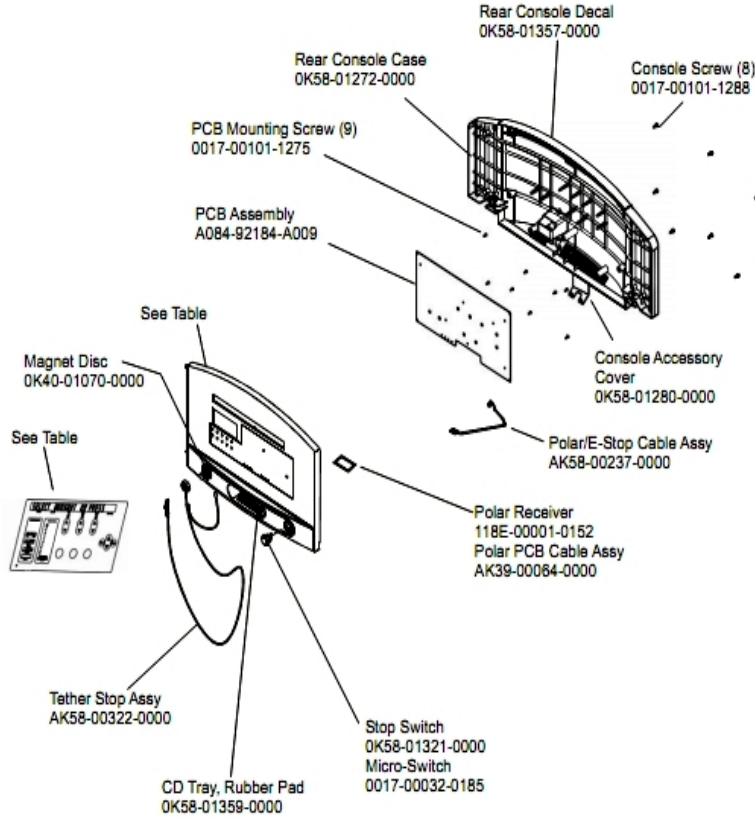
Ref #	Part Number	Qty	Description
-	0017-00101-1880	1	Hardware: Tension Bolts 3"
-	OK65-01263-0000	1	Deck
-	0017-00042-1147	4	Hardware: Nylon Grommet
-	0017-00042-0326	2	Hardware: Plastic Grommet
-	OK58-01390-0001	1	Rear Roller Guard Right
-	OK58-01400-0000	1	Striding Belt
-	0017-00101-1652	8	Hardware: Spring Mounting Screw 1"
-	OK58-01002-0000	1	Rear Roller - 3.5"
-	OK40-01026-0002	8	Deck Spring
-	OK58-01390-0002	1	Rear Roller Guard Left
-	0017-00101-1775	4	Hardware: Deck Screws 1.25"
-	0017-00104-0043	2	Hardware: Flat Washer 0.734" OD
-	M051-00K58-A101	1	Belt Limit Label. Left
-	0017-00103-0198	8	Hardware: Tinnerman Clip 1/4" ID
-	M051-00K58-A014	1	Label: Caution
-	0017-00104-0072	8	Hardware: Flat Washer 0.562" OD
-	M051-00K58-A100	1	Label: Belt Limit: Right
-	0017-00101-1776	6	Hardware: Mounting Screw 0.5"

Cables



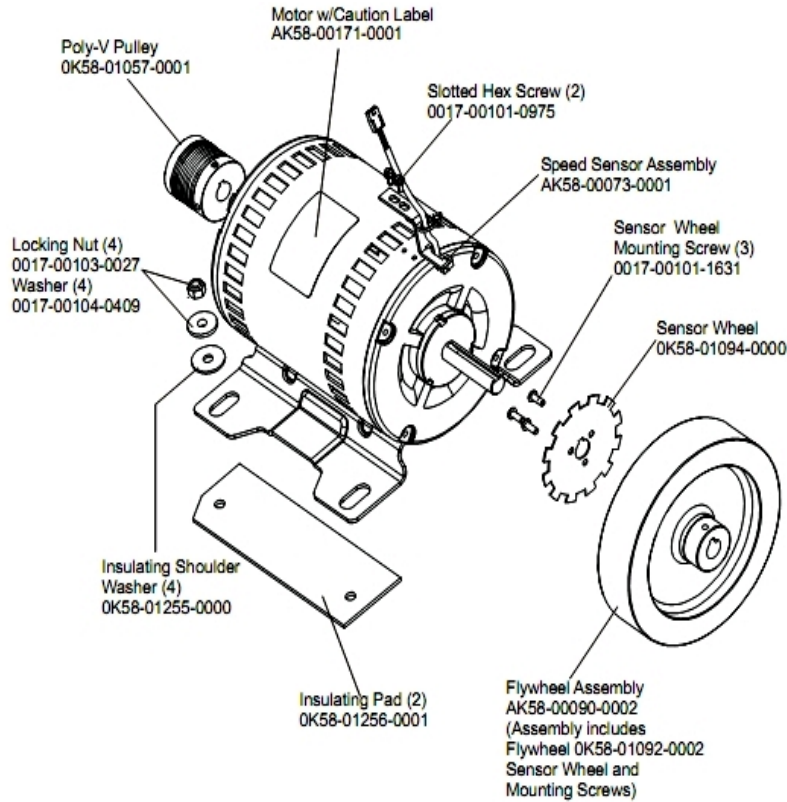
Ref #	Part Number	Qty	Description
-	AK58-00043-0000	1	Speed Sensor Cable
-	AK58-00034-0001	1	Console Power Cable
-	AK58-00027-0000	1	Limit Switch Cable
-	AK58-00035-0001	1	Motor Controller Interface Cable
-	AK58-00030-0000	1	Frame Tag Cable

Console and Related Components



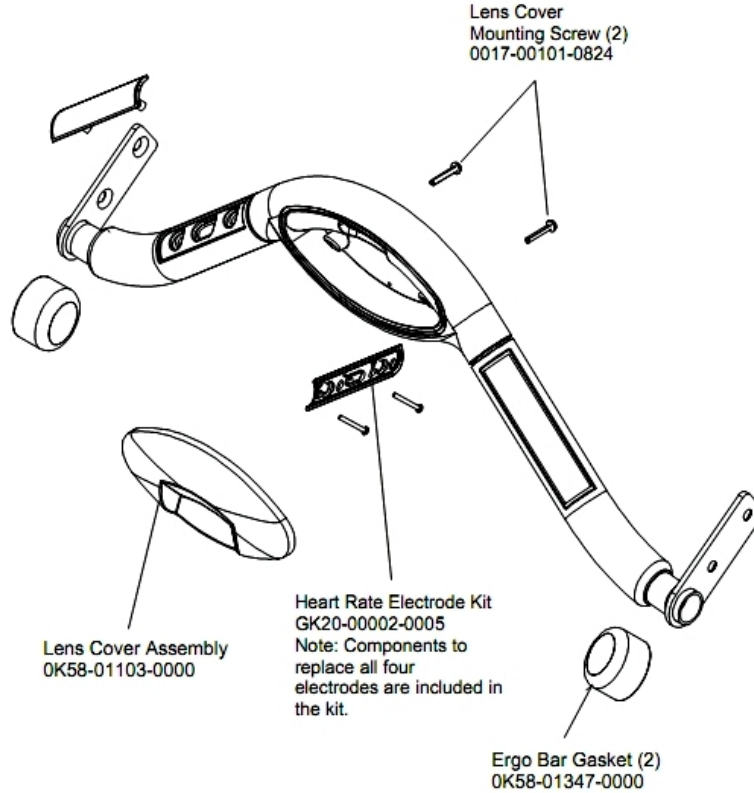
Ref #	Part Number	Qty	Description
-	118E-00001-0259	1	Wireless Receiver Module, Non-Coded
-	OK40-01070-0000	1	Magnetic Disk
-	OK58-01359-0000	1	Rubber Pad
-	AK58-00237-0000	1	Cable-Assembly: Polar/E-Stop
-	118E-00001-0244	1	Heart Rate Receiver
-	AK58-00481-0002	1	Console: English/Metric
-	OK58-01321-0000	1	Stop Switch
-	OK58-01272-0000	1	Rear Console Case
-	AK58-00322-0000	1	Tether Stop Assembly
-	OK58-01357-0000	1	Decal
-	0017-00101-1288	8	Hardware: Phillips Screw 0.5"
-	0017-00101-1275	9	Hardware: Phillips Screw 0.375"
-	AK58-00526-0001	1	Bezel Switch with Overlay: English/Metric
-	A084-92184-A009	1	PCB Assembly
-	OK58-01280-0000	1	Accessory Cover
-	0017-00032-0185	1	Micro Switch 150GR

Drive Motor Assembly



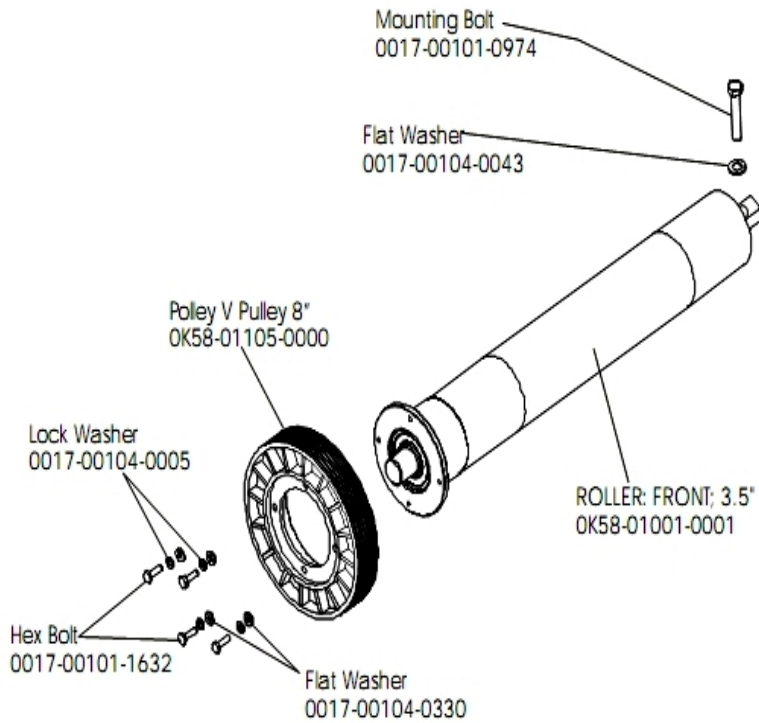
Ref #	Part Number	Qty	Description
-	0017-00103-0027	4	Hardware: Locking Nut. 5/16" ID
-	0017-00104-0409	4	Hardware: Washer 1.125" OD
-	OK58-01256-0001	2	Insulating Pad
-	0017-00101-1631	3	Hardware: Sensor Wheel Mounting Screw
-	OK58-01057-0001	1	Drive Pulley - 1.971"
-	OK58-01094-0000	1	Sensor Wheel
-	AK58-00073-0001	1	Speed Sensor Assembly
-	AK58-00171-0001	1	Drive Motor Assembly
-	0017-00101-0975	2	Hardware: Mounting Bolt 0.375"
-	AK58-00090-0002	1	Flywheel Assembly
-	OK58-01255-0000	4	Hardware: Insulating Washers

Ergo Bar with Lifepulse



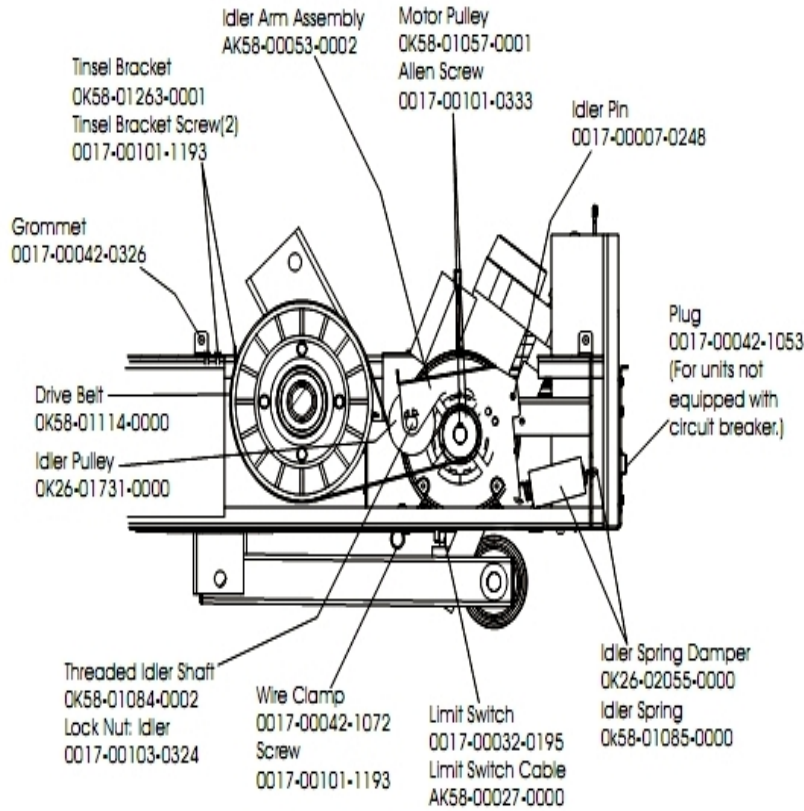
Ref #	Part Number	Qty	Description
-	0017-00101-0824	2	Hardware: Screw 1.125"
-	GK20-00002-0005	1	Heart Rate Electrode Kit
-	AK58-00064-0000	1	I/R Lens Cover Assembly
-	0K58-01347-0000	2	ErgoBar Gasket

Front Roller Assembly



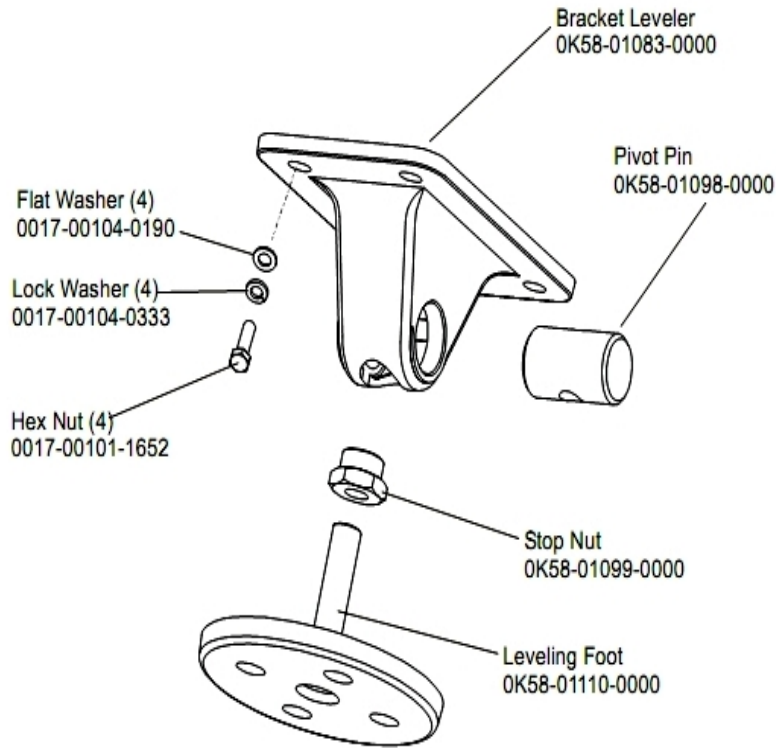
Ref #	Part Number	Qty	Description
-	0017-00101-0974	1	Hardware: Mounting Bolt 2"
-	0017-00101-1632	4	Hardware: Hex Bolt 0.875"
-	OK58-01105-0000	1	Drive Pulley Poly V - 8"
-	0017-00104-0043	1	Hardware: Flat Washer 0.734" OD
-	0017-00104-0005	4	Hardware: Lock Washer 0.489" OD
-	0017-00104-0330	4	Hardware: Flat Washers 0.562" OD
-	AK58-00066-0000	1	Front Roller Assembly
-	OK58-01001-0001	1	Front Roller - 3.5"

Idler Arm Assembly and Static Brush



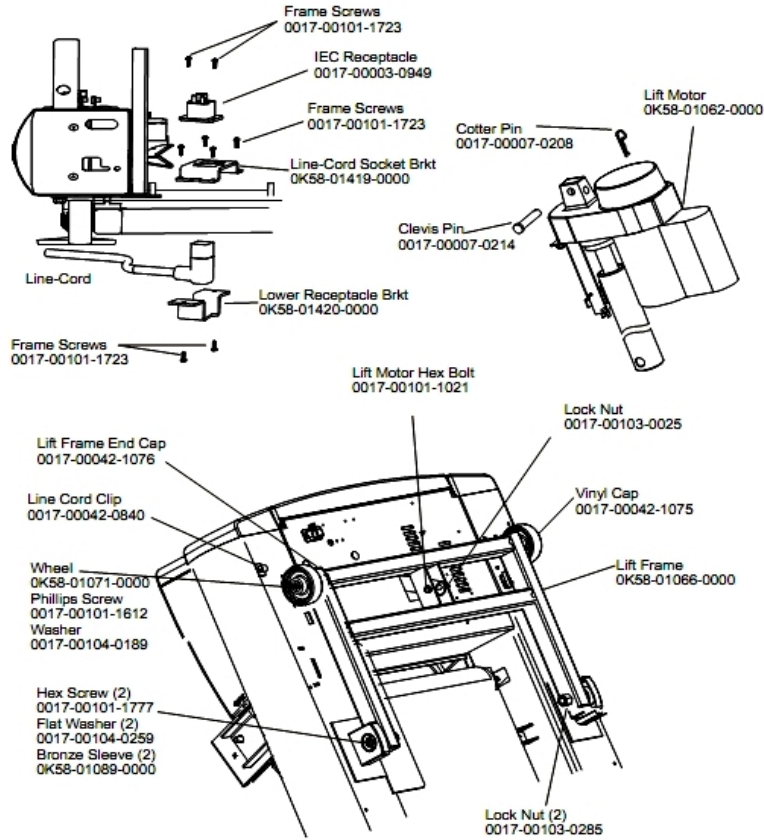
Ref #	Part Number	Qty	Description
-	OK58-01057-0001	1	Drive Pulley - 1.971"
-	OK58-01263-0001	1	Tinsel Bracket
-	0017-00103-0324	1	Hardware: Thin Lock Nut 3/8" ID
-	AK58-00027-0000	1	Limit Switch Cable
-	OK26-01731-0000	1	Plastic Idler 2 5/8" OD
-	OK26-02055-0000	1	Spring Damper
-	0017-00032-0195	1	Home Switch
-	0017-00042-1072	1	Hardware: Wire Clamp - 5/8"
-	0017-00007-0248	1	Hardware: Locking Pin .31" D 2.125" L
-	0017-00042-0326	1	Hardware: Plastic Grommet
-	0017-00101-1193	3	Hardware: Screw 0.375"
-	OK58-01114-0000	1	Poly-V Drive Belt - 370J12
-	OK58-01084-0002	1	Threaded Shaft
-	0017-00101-0333	1	Hardware: Screw 0.3125"
-	AK58-00053-0002	1	Idler Arm Assembly
-	OK58-01085-0000	1	Extension Spring
-	0017-00042-1053	1	Plug (For units not equipped with circuit breaker.)

Leveler Assembly



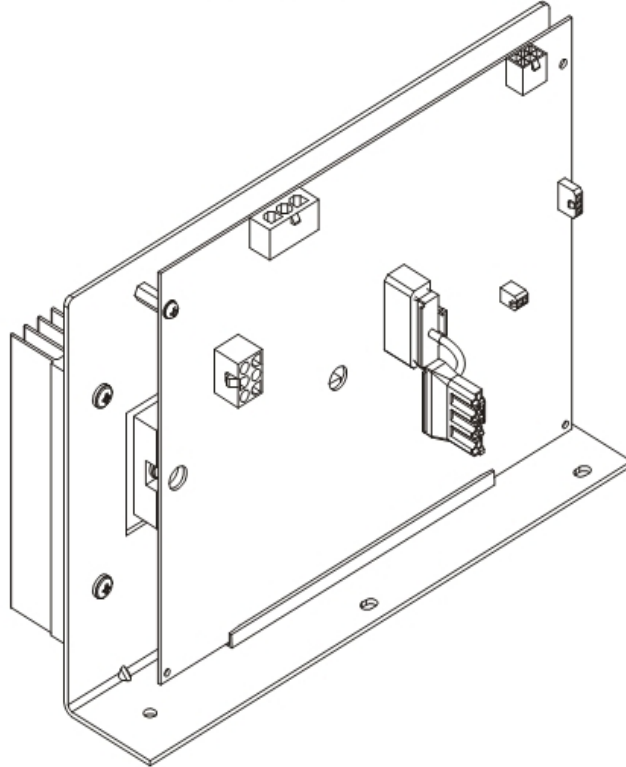
Ref #	Part Number	Qty	Description
-	OK58-01098-0000	1	Hardware: Pivot Pin
-	0017-00104-0190	4	Hardware: Flat Washer 0.734" OD
-	OK58-01099-0000	1	Hardware: Stop Nut
-	OK58-01083-0000	1	Leveler Bracket
-	0017-00101-1652	4	Hardware: Spring Mounting Screw 1"
-	AK58-00370-0000	1	Leveler Assembly
-	0017-00104-0333	4	Hardware: Washer 0.683" OD
-	OK58-01110-0000	1	Leveler Foot

Lift Frame and Lift Motor



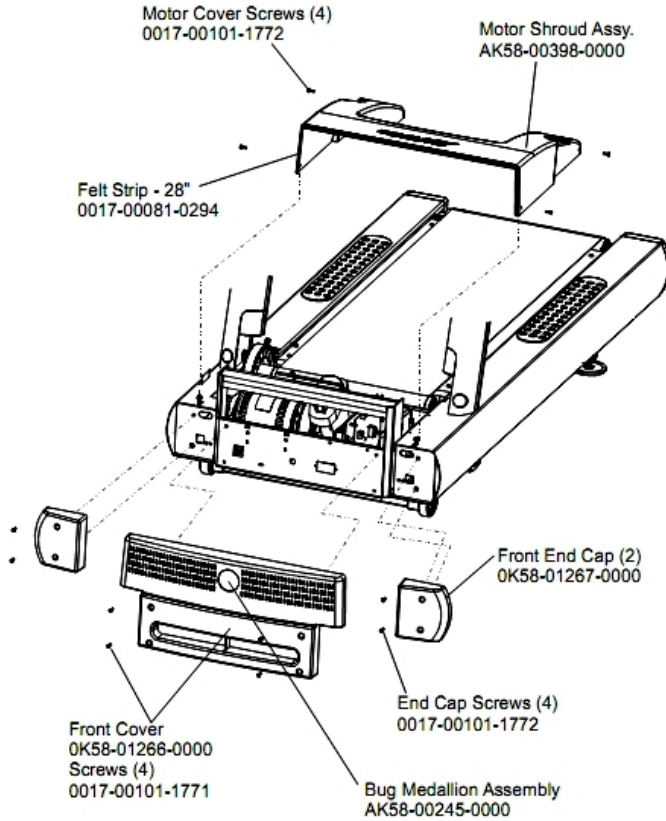
Ref #	Part Number	Qty	Description
-	AK58-00220-0000	1	LIFT-FRAME ASSY: MFG. C
-	0017-00042-1076	2	Lift Frame End Cap
-	0017-00103-0285	2	Hardware: Nut 5/8" ID
-	0017-00007-0208	1	Hardware: Cotter Pin
-	0017-00101-1777	2	Hardware: Lift Frame Mounting Bolt 2.75"
-	0017-00104-0189	2	Hardware: Flat Washer 1" OD
-	0K58-01419-0000	1	Line Cord Socket Bracket
-	0017-00101-1723	8	Hardware: Phillips Pan Screw 0.375"
-	0017-00101-1021	1	Hardware: Lift Motor Hex Bolt 2.5"
-	0017-00103-0025	1	Hardware: Locking Nut 3/8" ID
-	0017-00104-0259	2	Hardware: Washer 1.331" OD
-	0K58-01062-0000	1	Lift Motor - 120/60
-	0K58-01420-0000	1	Lower Receptacle Bracket
-	0K58-01089-0000	2	Bronze Sleeve Bushings
-	0017-00042-0840	1	Hardware: Push Mount Clip
-	0K58-01071-0000	2	Wheel
-	0017-00101-1612	2	Hardware: Phillips Screw 0.5"
-	0017-00003-0949	1	IEC Receptacle
-	0017-00007-0214	1	Hardware: Clevis Pin 3/8" D 1.75" L
-	0017-00042-1075	1	Vinyl Cap

Motor Controller Assembly



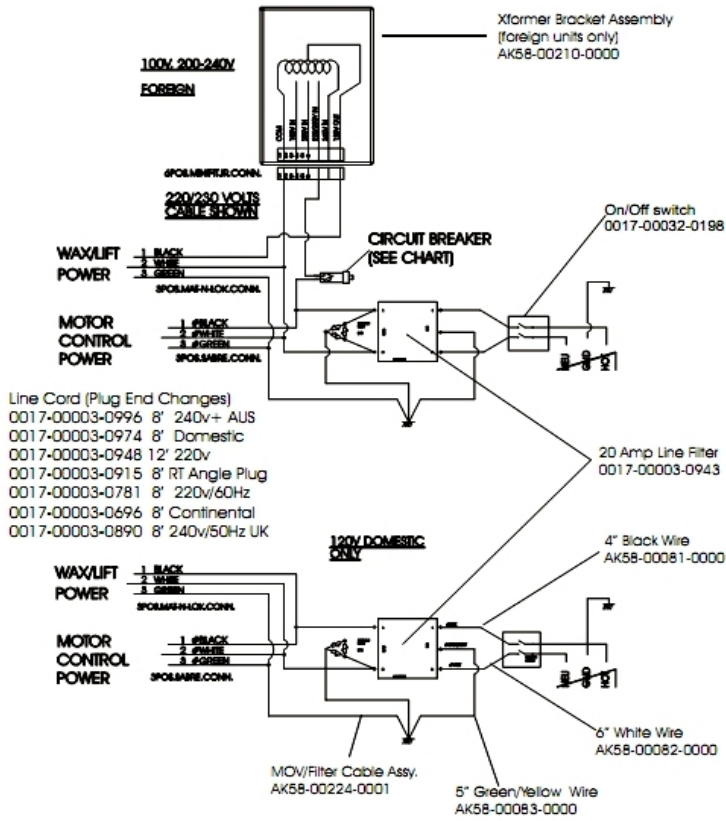
Ref #	Part Number	Qty	Description
-	GK65-00002-0019	2	Motor Controller Assembly (200-240V)

Motor Cover, Front Cover and Front End Caps



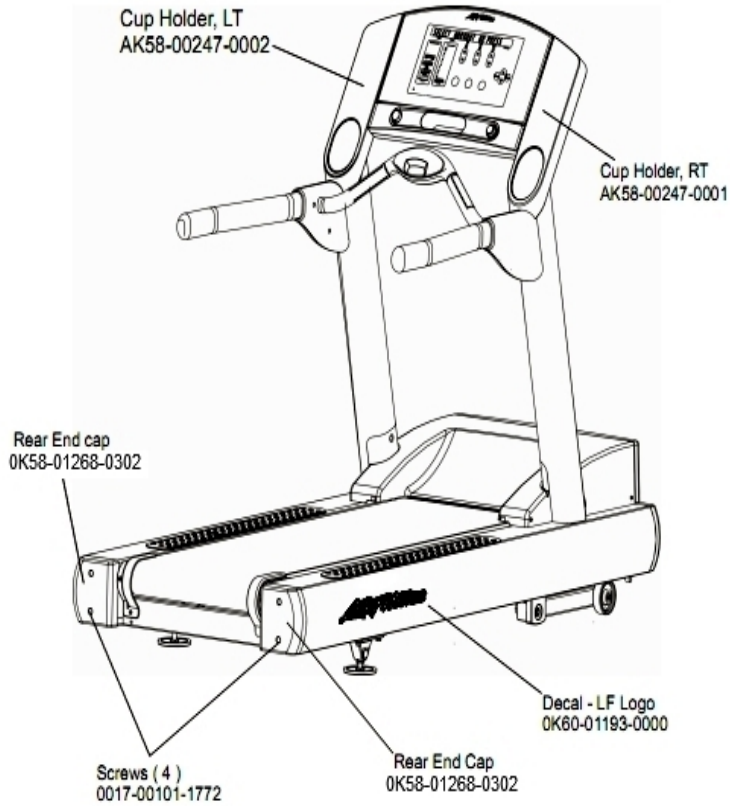
Ref #	Part Number	Qty	Description
-	AK58-00245-0000	1	Bug Medallion
-	0017-00081-0294	1	Felt Strip - 28"
-	AK58-00398-0000	1	Motor Shroud Assembly
-	OK58-01266-0000	1	Front Cover
-	OK58-01267-0000	2	End Cap
-	0017-00101-1772	8	Hardware: Phillips Pan Screw 0.5"
-	0017-00101-1771	4	Hardware: Phillips Pan Screw

Power Components Schematic



Ref #	Part Number	Qty	Description
-	0017-00003-0943	1	10 Amp Line Filter 230v or higher
-	AK58-00081-0000	1	Jumper Cable Assembly: Black - 4"
-	0017-00032-0198	1	On/Off Switch 22A
-	AK58-00082-0000	1	Jumper Cable Assembly: White - 6"
-	0017-00003-0996	1	Line Cord: Australia 230/50
-	AK58-00224-0001	1	Cable: MOV; Fliter
-	AK58-00083-0000	1	Cable Assembly
-	AK58-00210-0000	1	Transformer-Bracket Assembly

Rear End Caps and Cup Holders

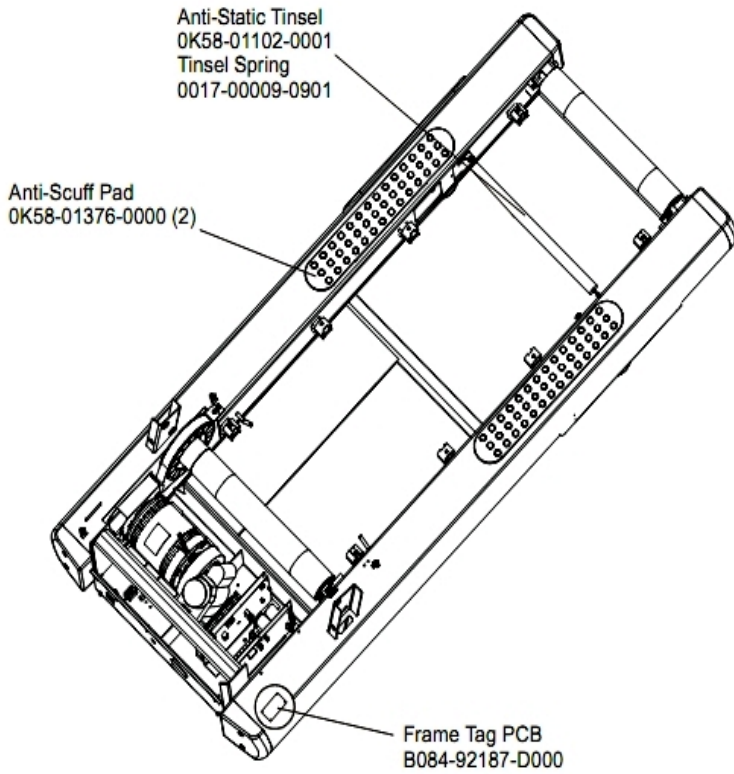


Ref #	Part Number	Qty	Description
-	0017-00101-1772	4	Hardware: Phillips Pan Screw 0.5"
-	AK58-00247-0001	1	Cup Holder Right
-	OK60-01193-0000	2	Decal: LF Logo
-	AK58-00247-0002	1	Cup Holder Left
-	OK58-01268-0302	2	ENDCAP: REAR; STEALTH D

References

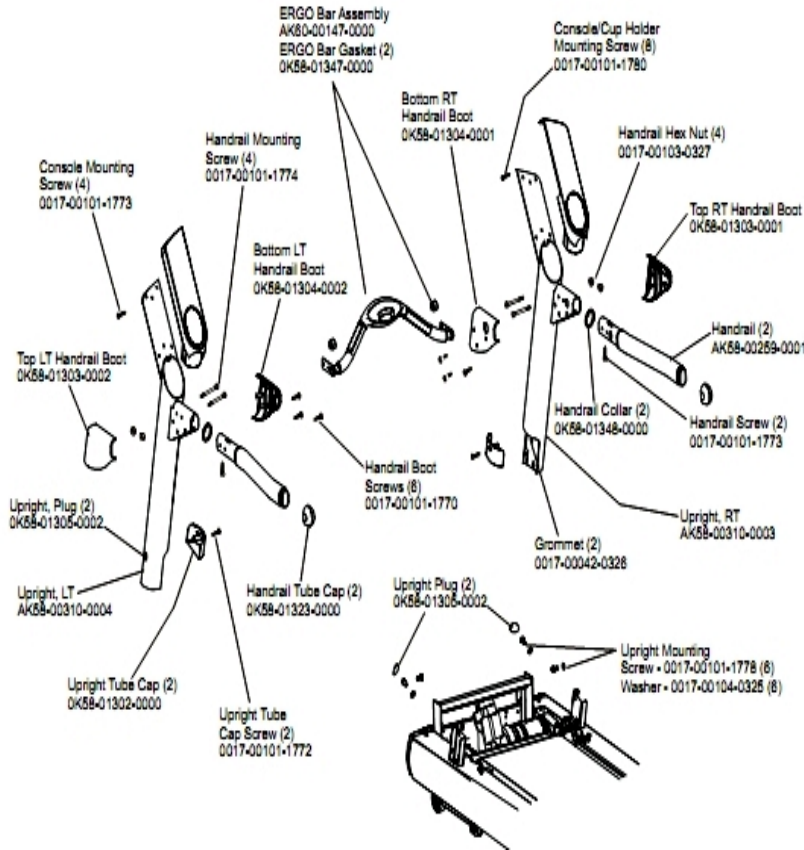
Ref #	Part Number	Qty	Description
-	0017-00008-0206	1	.33oz Pen - Arctic Silver
-	AK58-00227-0000	1	Hardware Bag
-	0017-00008-0204	1	Paint Spray Can - Arctic Silver
-	0017-00008-0205	1	5 oz Bottle - Arctic Silver

Scuff Pad, Tinsel and Frame Tag Board



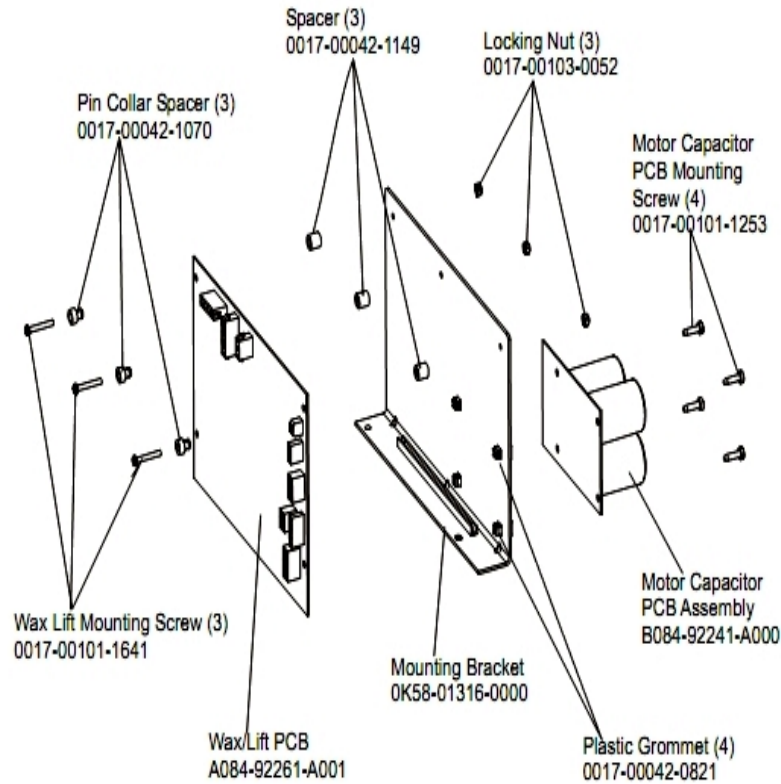
Ref #	Part Number	Qty	Description
-	OK58-01376-0000	2	Anti-Scuff Pad
-	0017-00009-0901	1	Tinsel Extension Spring
-	OK58-01102-0001	1	Anti-Static Tinsel
-	B084-92187-D000	1	Frame Tag PCB

Uprights, Handrails and Ergo Bar



Ref #	Part Number	Qty	Description
-	0017-00101-1773	6	Hardware: TORX Screw 0.5"
-	0K58-01348-0000	2	Handrail Collar
-	0K58-01323-0000	2	Handrail Tube Cap
-	0K58-01303-0002	1	Top Left Handrail Boot
-	0K58-01304-0001	1	Bottom Right Handrail Boot
-	0K58-01304-0002	1	Bottom Left Handrail Boot
-	0017-00101-1772	2	Hardware: Phillips Pan Screw 0.5"
-	0K58-01303-0001	1	Top Right Handrail Boot
-	AK60-00147-0000	1	ERGO Bar with Heart Rate Sensor
-	0K58-01347-0000	2	ErgoBar Gasket
-	0017-00042-0326	2	Hardware: Plastic Grommet
-	0017-00103-0327	4	Hardware: Hex Nut 5/16" ID
-	0K58-01302-0103	2	Cap: Upright Tube; Arctic Silver
-	0K58-01305-0002	4	Upright Plug
-	AK58-00259-0001	2	Handrail
-	AK58-00311-0004	1	Upright: Left
-	0017-00101-1778	6	Hardware: Hex Bolt 1"
-	AK58-00310-0003	1	Upright: Right
-	0017-00104-0325	6	Hardware: Washer 0.873" OD
-	0017-00101-1774	4	Hardware: TORX Screw 2.5"
-	0017-00101-1780	8	Hardware: Mounting Screws
-	0017-00101-1770	6	Hardware: Phillips Pan Screw 0.5"

Wax/Lift Assembly



Ref #	Part Number	Qty	Description
-	0017-00101-1253	4	Hardware: Screw
-	0017-00101-1641	3	Hardware: Phillips Pan Screw
-	A084-92261-A001	1	Wax/Lift PCB
-	0017-00042-0821	4	Hardware: Plastic Grommet
-	0017-00042-1070	3	Pin Collar Spacer
-	AK58-00243-0000	1	Wax/Lift Assembly
-	0017-00042-1149	3	Spacer
-	OK58-01316-0000	1	Mounting Bracket
-	0017-00103-0052	3	Hardware: Locking Nut ID
-	B084-92241-A000	1	Motor Capacitor PCB Assembly

