

93T Treadmill - 4HP AC - Heart Rate

93T-0104-07

Parts Manual

1/5/2019 8:12:48 AM

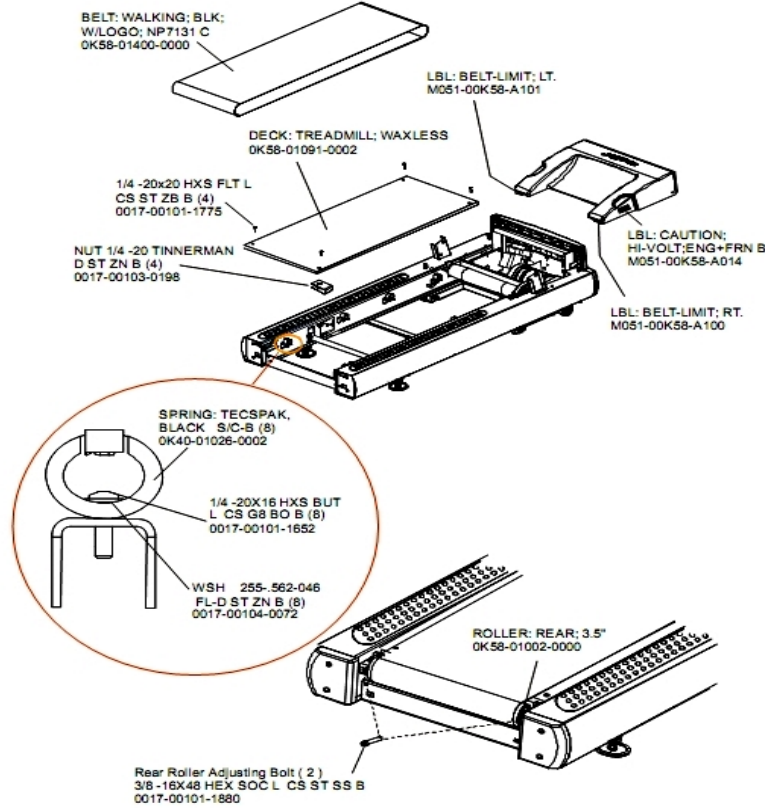


LifeFitness
WHAT WE LIVE FOR

Table of Contents

Belt, Deck and Rear Roller	3
Cables	4
Console	5
Console Components	6
Drive Motor Assembly	7
DSP Controller Assembly	8
Ergo Bar with Heart Rate Assembly	9
Front Roller Assembly	10
Idler Arm Assembly	11
Leg Leveler Assembly	12
Lift Frame, Lift Motor and IEC Receptacle	13
Motor Cover, Front Cover, Front End Caps and Tinsel	14
On-Off Switch, Access Plate and Grommets	15
Optional Line Cords	16
Rear End Caps and Cup Holders	17
References	18
Uprights and Handrails	20
Wax/Lift Assembly	21

Belt, Deck and Rear Roller

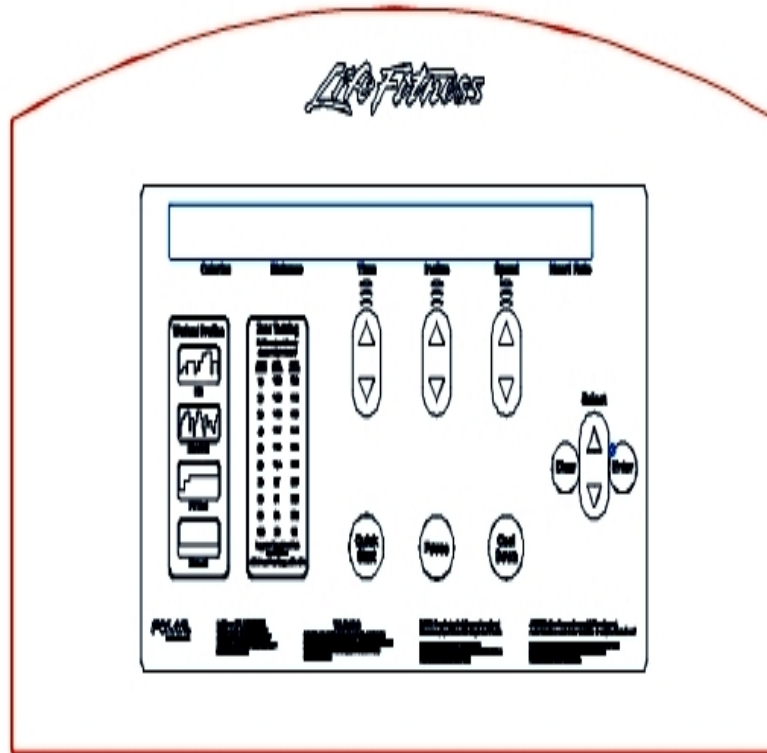


Ref #	Part Number	Qty	Description
-	0017-00101-1775	4	Hardware: Deck Screws 1.25"
-	0K40-01026-0002	8	Deck Spring
-	M051-00K58-A101	1	Belt Limit Label. Left
-	M051-00K58-A014	1	Label: Caution
-	0K58-01002-0000	1	Rear Roller - 3.5"
-	0017-00101-1880	1	Hardware: Tension Bolts 3"
-	0017-00101-1652	8	Hardware: Spring Mounting Screw 1"
-	0K58-01400-0000	1	Striding Belt
-	M051-00K58-A100	1	Label: Belt Limit: Right
-	0017-00104-0072	8	Hardware: Flat Washer 0.562" OD
-	0017-00103-0198	4	Hardware: Tinnerman Clip 1/4" ID
-	0K65-01263-0000	1	Deck

Cables

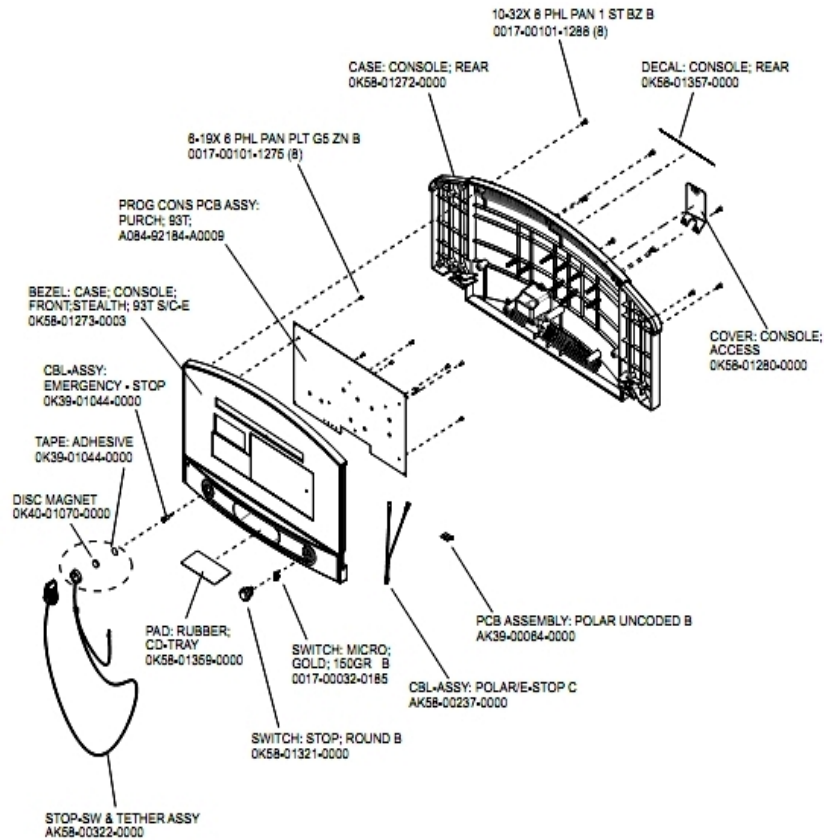
Ref #	Part Number	Qty	Description
-	AK32-00078-0001	1	Power Extension Cable: 120"
-	AK58-00034-0001	1	Console Power Cable
-	AK58-00081-0000	1	Jumper Cable Assembly: Black - 4"
-	AK58-00027-0000	1	Limit Switch Cable
-	AK58-00524-0000	1	Cable: Thermal Adapter
-	AK58-00210-0000	1	Transformer-Bracket Assembly
-	AK58-00596-0001	1	Power Cable: 230-240V
-	AK58-00224-0001	1	Cable: MOV; Fliter
-	AK58-00036-0000	1	Cable-Assembly: Emergency-Stop Switch
-	0017-00003-0626	1	CIRCUIT-BREAKER:2A 200-240V
-	AK58-00082-0000	1	Jumper Cable Assembly: White - 6"
-	AK58-00263-0000	1	Hi-Pot Jumper Cable
-	AK58-00041-0001	1	Heart Rate Sensor Cable
-	AK58-00237-0000	1	Cable-Assembly: Polar/E-Stop
-	AK58-00083-0000	1	Cable Assembly
-	AK58-00522-0000	1	Cable: Jumper; Power; LED Console
-	AK32-00020-0002	1	Coax Cable: 120"
-	0017-00003-1015	1	20 amp Line Filter (DOM)
-	AK58-00032-0000	1	User Proximity Sensor Cable

Console



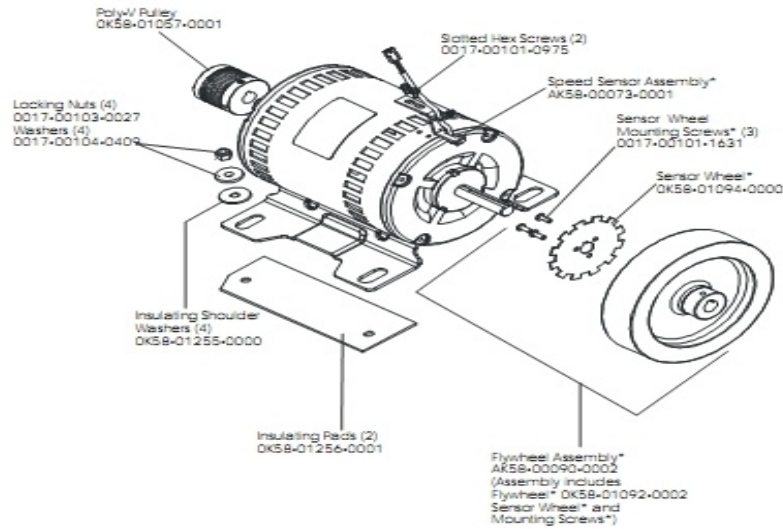
Ref #	Part Number	Qty	Description
-	0K58-01432-0001	1	Overlay English/Imperial
-	AK58-00481-0002	1	Console: English/Metric
-	AK58-00526-0001	1	Bezel Switch with Overlay: English/Metric

Console Components



Ref #	Part Number	Qty	Description
-	OK58-01280-0000	1	Accessory Cover
-	0017-00032-0185	1	Micro Switch 150GR
-	OK58-01357-0000	1	Decal
-	0017-00101-1288	8	Hardware: Phillips Screw 0.5"
-	0017-00101-1275	9	Hardware: Phillips Screw 0.375"
-	118E-00001-0259	1	Wireless Receiver Module, Non-Coded
-	OK40-01070-0000	1	Magnetic Disk
-	OK58-01359-0000	1	Rubber Pad
-	AK58-00237-0000	1	Cable-Assembly: Polar/E-Stop
-	OK58-01273-0003	1	Front Console Case
-	A084-92184-A009	1	PCB Assembly
-	AK58-00322-0000	1	Tether Stop Assembly
-	OK39-01044-0000	1	Tape
-	OK58-01321-0000	1	Stop Switch
-	OK58-01272-0000	1	Rear Console Case
-	AK58-00036-0000	1	Cable-Assembly: Emergency-Stop Switch

Drive Motor Assembly

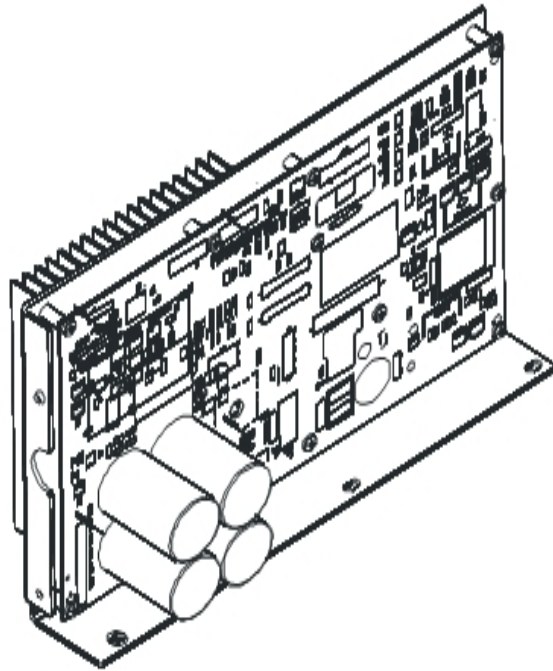


*used on the dual cable drive motor only

Description	Part Nos.	
	S/N TSB100000–TSB101105 (dual cable)	S/N TSB101106 and up (tapered shaft)
Drive Motor Assembly	AK58-00171-0001	AK58-00171-0002
Cast Iron Flywheel	OK58-01092-0002	OK58-01092-0004
Flywheel Setscrews/Bolt	0017-00101-0975 (uses setscrews)	0017-00101-1885 (uses bolt)
Flywheel Assembly	AK58-00090-0002	n/a

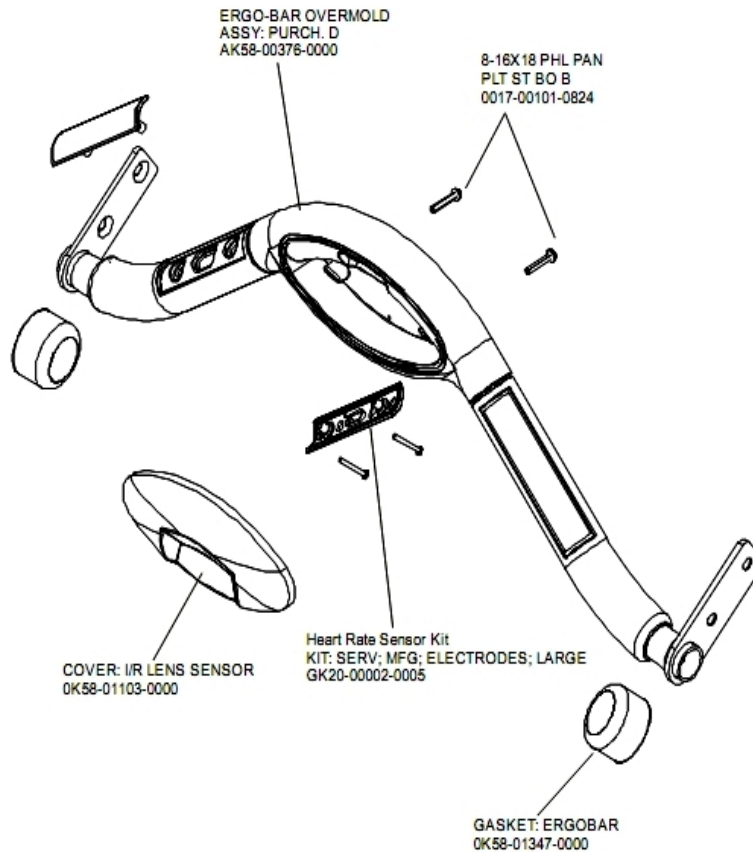
Ref #	Part Number	Qty	Description
-	AK58-00171-0001	1	Drive Motor Assembly
-	0017-00101-0975	3	Hardware: Mounting Bolt 0.375"
-	0017-00103-0027	4	Hardware: Locking Nut. 5/16" ID
-	OK58-01057-0001	1	Drive Pulley - 1.971"
-	OK58-01092-0002	1	Cast Iron Flywheel
-	0017-00101-1885	1	Hardware: Hex Bolt 1"
-	OK58-01255-0000	4	Hardware: Insulating Washers
-	AK58-00073-0001	1	Speed Sensor Assembly
-	OK58-01092-0004	1	Cast Iron Flywheel
-	OK58-01094-0000	1	Sensor Wheel
-	OK58-01386-0004	1	MOTOR: MAIN DRIVE, 230V/50HZ, W/TAPER
-	AK58-00090-0002	1	Flywheel Assembly
-	OK58-01256-0001	2	Insulating Pad
-	0017-00101-1631	3	Hardware: Sensor Wheel Mounting Screw
-	0017-00104-0409	4	Hardware: Washer 1.125" OD

DSP Controller Assembly



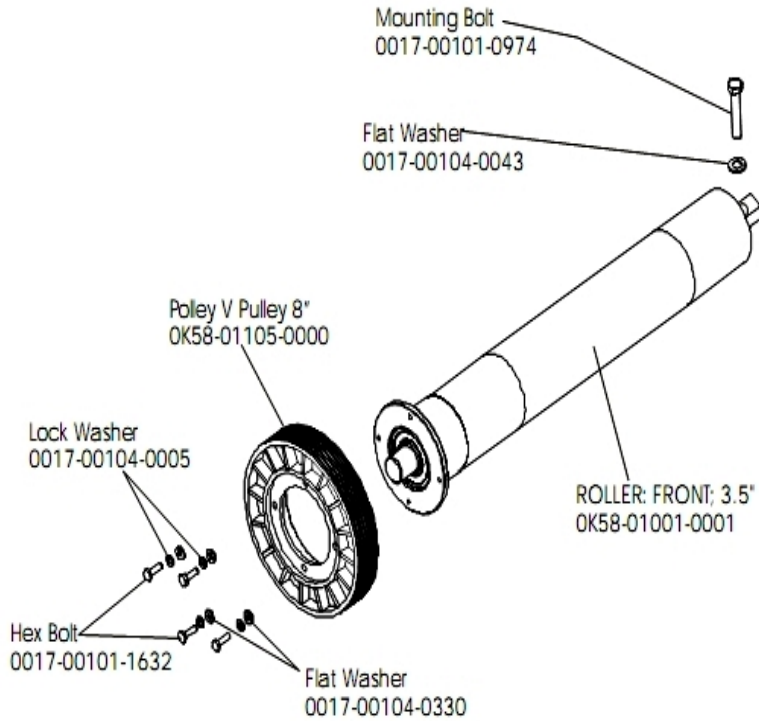
Ref #	Part Number	Qty	Description
-	GK58-00002-0120	1	Display Controller 200-240; LED
-	GK58-00002-0120	1	Display Controller 200-240; LED
-	GK58-00002-0120	1	Display Controller 200-240; LED
-	GK58-00002-0120	1	Display Controller 200-240; LED

Ergo Bar with Heart Rate Assembly



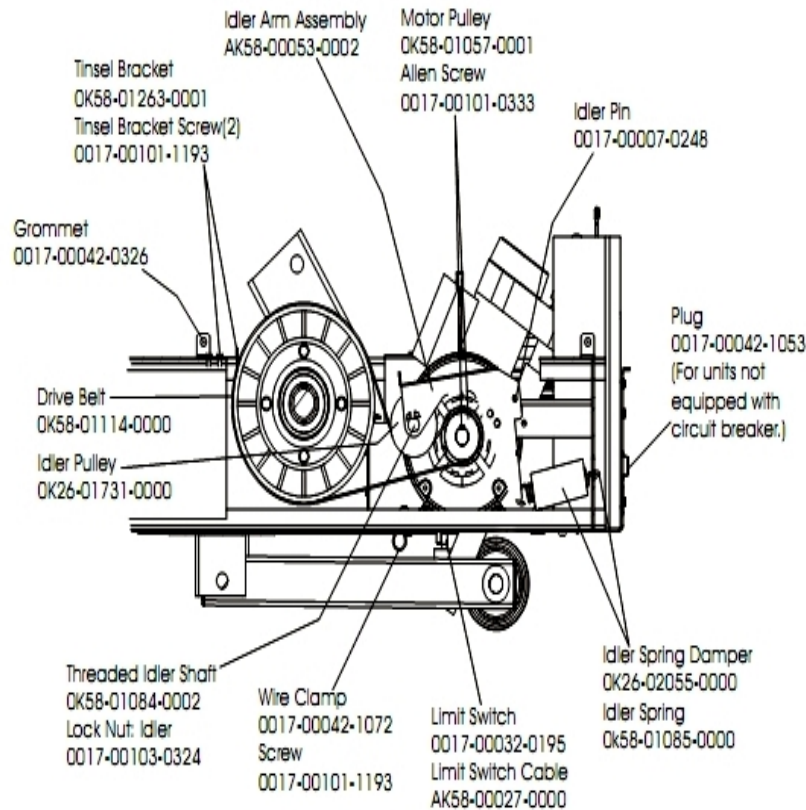
Ref #	Part Number	Qty	Description
-	AK58-00064-0000	1	I/R Lens Cover Assembly
-	GK20-00002-0005	1	Heart Rate Electrode Kit
-	0017-00101-0824	1	Hardware: Screw 1.125"
-	OK58-01347-0000	1	ErgoBar Gasket
-	AK58-00376-0001	1	Ergo-Bar Overmold Assembly
-	AK60-00147-0000	1	ERGO Bar with Heart Rate Sensor

Front Roller Assembly



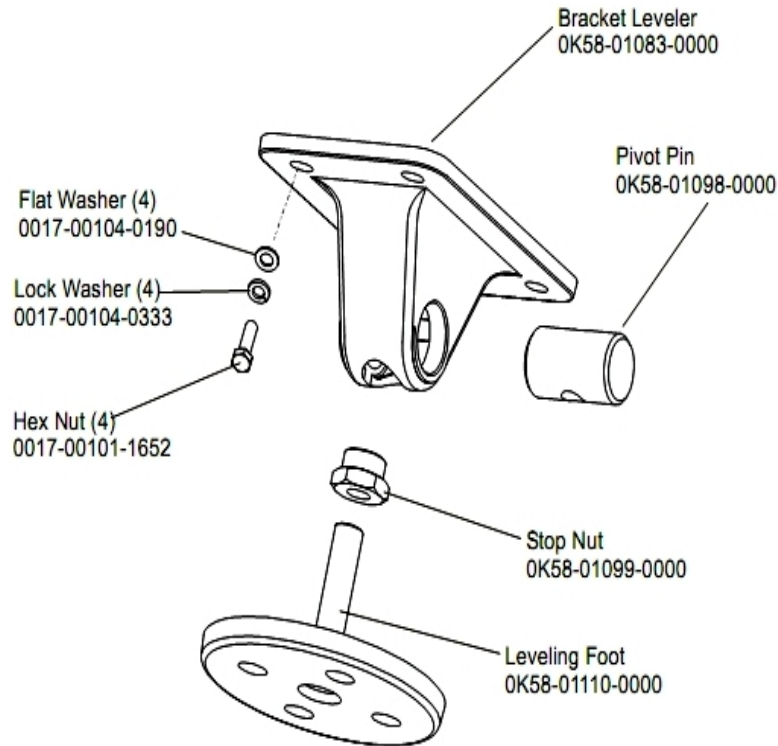
Ref #	Part Number	Qty	Description
-	0017-00101-0974	1	Hardware: Mounting Bolt 2"
-	0017-00101-1632	4	Hardware: Hex Bolt 0.875"
-	0K58-01105-0000	1	Drive Pulley Poly V - 8"
-	0K58-01001-0001	1	Front Roller - 3.5"
-	0017-00104-0005	4	Hardware: Lock Washer 0.489" OD
-	0017-00104-0330	4	Hardware: Flat Washers 0.562" OD
-	AK58-00066-0000	1	Front Roller Assembly
-	0017-00104-0043	1	Hardware: Flat Washer 0.734" OD

Idler Arm Assembly



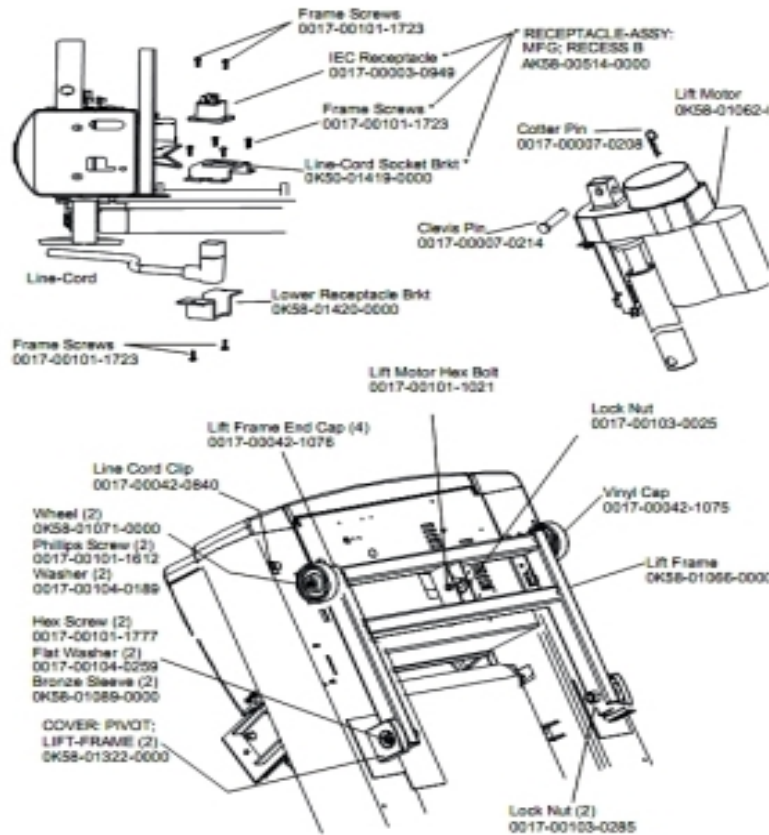
Ref #	Part Number	Qty	Description
-	OK58-01057-0001	1	Drive Pulley - 1.971"
-	OK58-01263-0001	1	Tinsel Bracket
-	0017-00103-0324	1	Hardware: Thin Lock Nut 3/8" ID
-	AK58-00027-0000	1	Limit Switch Cable
-	OK26-01731-0000	1	Plastic Idler 2 5/8" OD
-	OK26-02055-0000	1	Spring Damper
-	0017-00032-0195	1	Home Switch
-	0017-00042-1072	1	Hardware: Wire Clamp - 5/8"
-	0017-00007-0248	1	Hardware: Locking Pin .31" D 2.125" L
-	0017-00042-0326	1	Hardware: Plastic Grommet
-	0017-00101-1193	3	Hardware: Screw 0.375"
-	OK58-01114-0000	1	Poly-V Drive Belt - 370J12
-	OK58-01084-0002	1	Threaded Shaft
-	0017-00101-0333	1	Hardware: Screw 0.3125"
-	AK58-00053-0002	1	Idler Arm Assembly
-	OK58-01085-0000	1	Extension Spring
-	0017-00042-1053	1	Plug (For units not equipped with circuit breaker.)

Leg Leveler Assembly



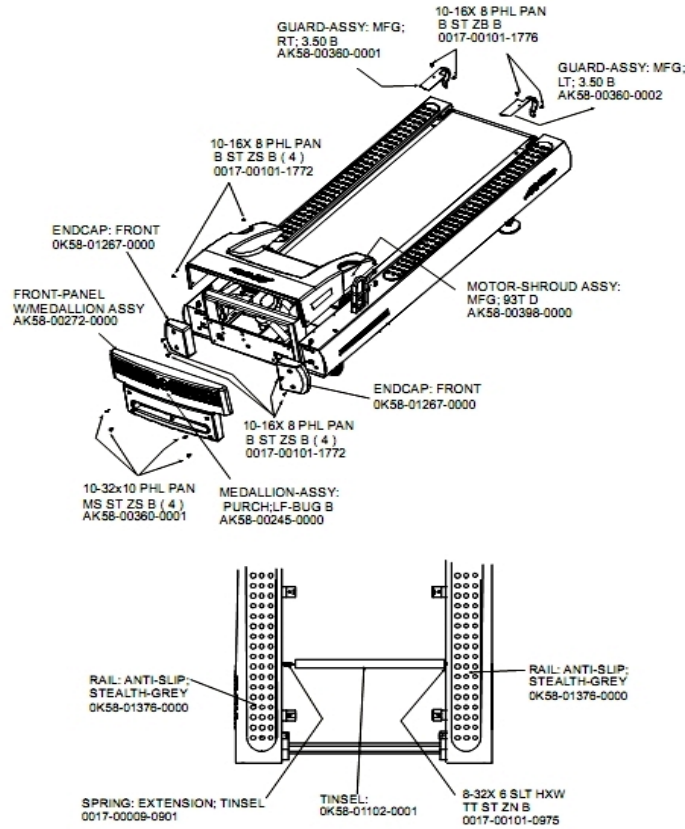
Ref #	Part Number	Qty	Description
-	0017-00104-0333	4	Hardware: Washer 0.683" OD
-	OK58-01110-0000	1	Leveler Foot
-	0017-00104-0190	4	Hardware: Flat Washer 0.734" OD
-	OK58-01083-0000	1	Leveler Bracket
-	OK58-01098-0000	1	Hardware: Pivot Pin
-	OK58-01099-0000	1	Hardware: Stop Nut
-	0017-00101-1652	4	Hardware: Spring Mounting Screw 1"
-	AK58-00370-0000	1	Leveler Assembly

Lift Frame, Lift Motor and IEC Receptacle



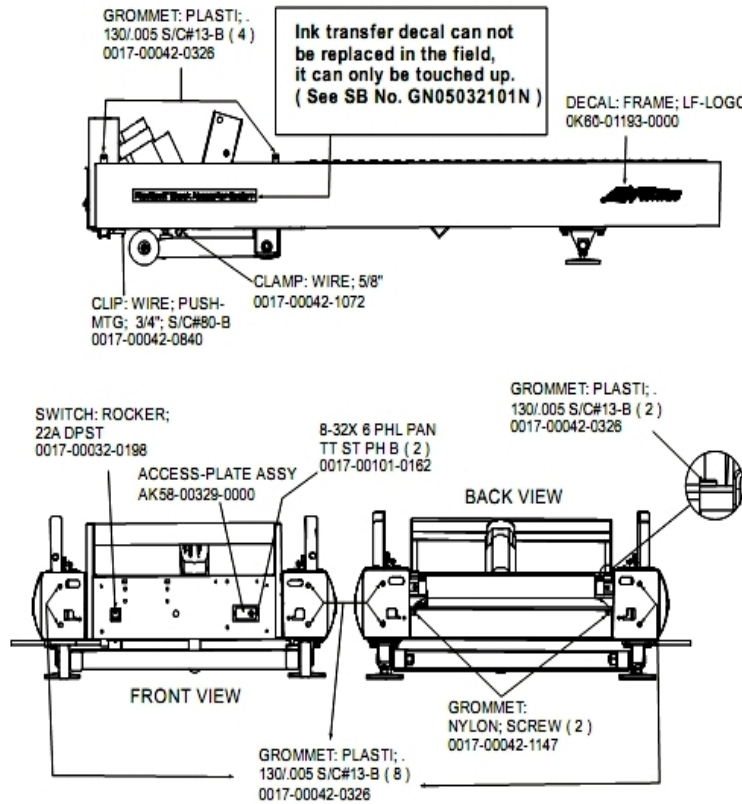
Ref #	Part Number	Qty	Description
-	AK58-00220-0000	1	LIFT-FRAME ASSY: MFG. C
-	0017-00042-1076	4	Lift Frame End Cap
-	0K58-01322-0000	2	Lift Frame Pivot Cover
-	0017-00103-0285	2	Hardware: Nut 5/8" ID
-	0017-00007-0208	1	Hardware: Cotter Pin
-	0017-00101-1777	2	Hardware: Lift Frame Mounting Bolt 2.75"
-	0017-00104-0189	2	Hardware: Flat Washer 1" OD
-	0K58-01419-0000	1	Line Cord Socket Bracket
-	0017-00101-1723	8	Hardware: Phillips Pan Screw 0.375"
-	AK58-00514-0000	1	Receptacle Assembly
-	0017-00101-1021	1	Hardware: Lift Motor Hex Bolt 2.5"
-	0017-00103-0025	1	Hardware: Locking Nut 3/8" ID
-	0017-00104-0259	2	Hardware: Washer 1.331" OD
-	0K58-01062-0000	1	Lift Motor - 120/60
-	0K58-01420-0000	1	Lower Receptacle Bracket
-	0K58-01089-0000	2	Bronze Sleeve Bushings
-	0017-00042-0840	1	Hardware: Push Mount Clip
-	0K58-01071-0000	2	Wheel
-	0017-00101-1612	2	Hardware: Phillips Screw 0.5"
-	0017-00003-0949	1	IEC Receptacle
-	0017-00007-0214	1	Hardware: Clevis Pin 3/8" D 1.75" L
-	0017-00042-1075	1	Vinyl Cap

Motor Cover, Front Cover, Front End Caps and Tinsel



Ref #	Part Number	Qty	Description
-	0017-00101-0975	1	Hardware: Mounting Bolt 0.375"
-	AK58-00360-0001	5	Rear Roller Guard: Right
-	0K58-01376-0000	4	Anti-Scuff Pad
-	0017-00101-1772	4	Hardware: Phillips Pan Screw 0.5"
-	AK58-00245-0000	1	Bug Medallion
-	AK58-00272-0000	1	Front Panel with Medallion
-	0K58-01102-0001	1	Anti-Static Tinsel
-	AK58-00398-0000	1	Motor Shroud Assembly
-	0K58-01267-0000	2	End Cap
-	0017-00009-0901	1	Tinsel Extension Spring
-	0017-00101-1776	1	Hardware: Mounting Screw 0.5"
-	AK58-00360-0002	1	Rear Roller Guard: Left

On-Off Switch, Access Plate and Grommets

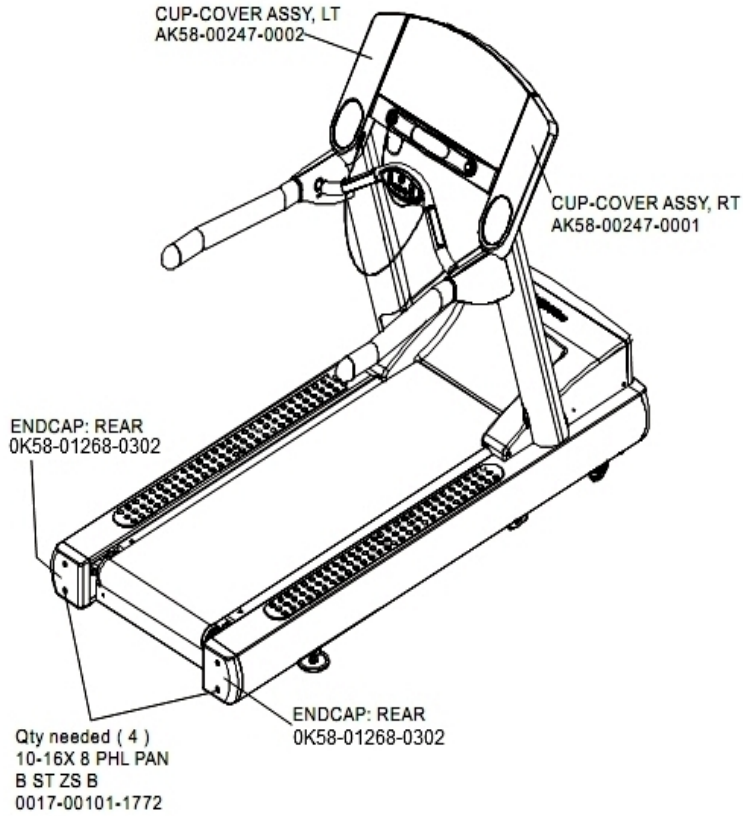


Ref #	Part Number	Qty	Description
-	0017-00101-0162	1	Hardware: Screw 0.375"
-	AK58-00329-0000	1	Access Panel Assembly
-	0017-00042-1072	1	Hardware: Wire Clamp - 5/8"
-	OK60-01193-0000	2	Decal: LF Logo
-	0017-00042-1147	1	Hardware: Nylon Grommet
-	0017-00042-0326	3	Hardware: Plastic Grommet
-	0017-00042-0840	1	Hardware: Push Mount Clip
-	0017-00032-0198	1	On/Off Switch 22A

Optional Line Cords

Ref #	Part Number	Qty	Description
-	0017-00003-0981	1	LINE-CORD: R/A; with PLUG 220/60 7.5'
-	0017-00003-0948	1	12' 220v Line Cord
-	0017-00003-0996	1	Line Cord: Australia 230/50
-	0017-00003-0980	1	Line Cord: US Low Voltage 144"

Rear End Caps and Cup Holders



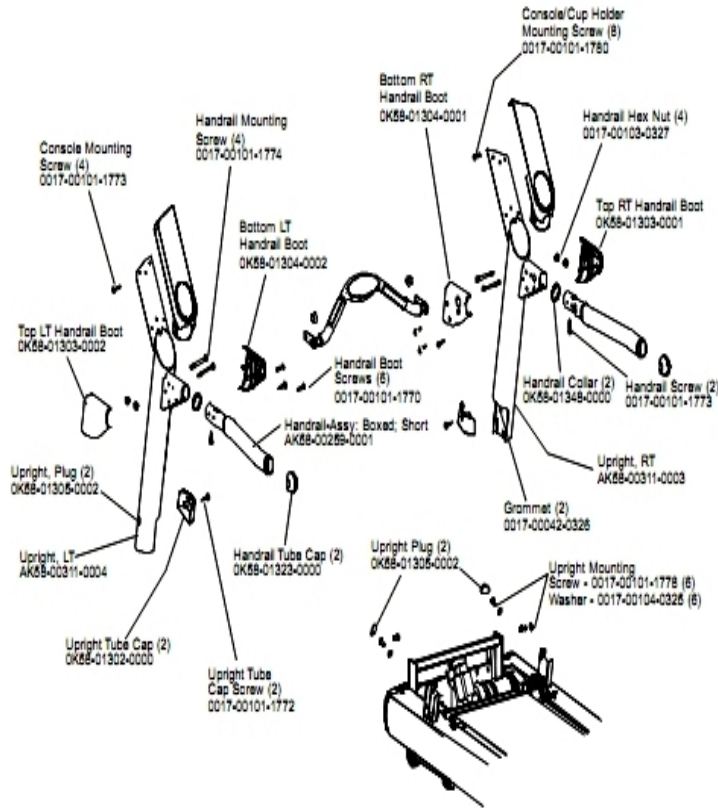
Ref #	Part Number	Qty	Description
-	AK58-00247-0002	1	Cup Holder Left
-	0017-00101-1772	8	Hardware: Phillips Pan Screw 0.5"
-	OK58-01268-0302	2	ENDCAP: REAR; STEALTH D
-	AK58-00247-0001	1	Cup Holder Right

References

Ref #	Part Number	Qty	Description
-	0017-00008-0205	1	5 oz Bottle - Arctic Silver
-	M051-00K58-B128	1	Service Instructions - Roller Guards
-	0017-00008-0204	1	Paint Spray Can - Arctic Silver
-	0017-00042-0840	1	Hardware: Push Mount Clip
-	0017-00101-1770	1	Hardware: Phillips Pan Screw 0.5"
-	0K58-01376-0000	2	Anti-Scuff Pad
-	AK58-00227-0000	1	Hardware Bag
-	0017-00101-1772	1	Hardware: Phillips Pan Screw 0.5"
-	0K58-01347-0000	1	ErgoBar Gasket
-	AK58-00360-0002	1	Rear Roller Guard: Left
-	0017-00008-0206	1	.33oz Pen - Arctic Silver
-	0017-00042-0326	3	Hardware: Plastic Grommet
-	0017-00042-1147	2	Hardware: Nylon Grommet
-	0017-00103-0327	1	Hardware: Hex Nut 5/16" ID
-	0K58-01305-0002	1	Upright Plug
-	0017-00101-1778	1	Hardware: Hex Bolt 1"
-	0017-00008-0210	1	Paint: Shadow-Gray Touch Up: .6 OZ Bottle
-	0017-00101-1776	4	Hardware: Mounting Screw 0.5"
-	0017-00104-0325	1	Hardware: Washer 0.873" OD
-	0017-00008-0211	1	Paint: Shadow-Gray Touch Up: .6 OZ Bottle
-	0017-00101-1774	1	Hardware: TORX Screw 2.5"
-	0017-00101-1780	1	Hardware: Mounting Screws

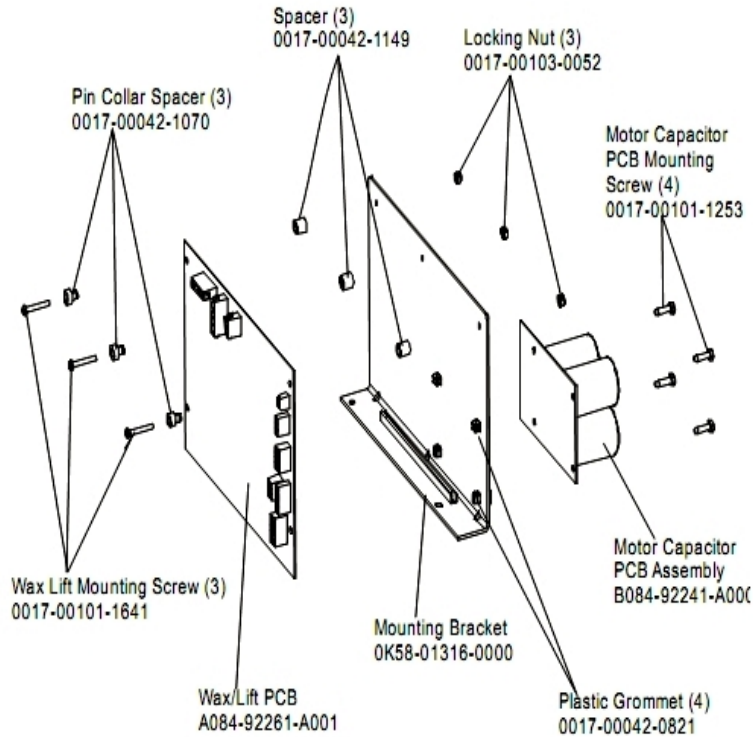
Ref #	Part Number	Qty	Description
-	GK58-00002-0071	1	Anti-Slip Rail
-	GK58-00002-0095	1	Roller Guard kit
-	AK58-00360-0001	1	Rear Roller Guard: Right
-	OK58-01348-0000	1	Handrail Collar
-	0017-00009-1049	1	Torx Wrench
-	0017-00101-1773	1	Hardware: TORX Screw 0.5"

Uprights and Handrails



Ref #	Part Number	Qty	Description
-	0017-00101-1773	6	Hardware: TORX Screw 0.5"
-	0K58-01348-0000	2	Handrail Collar
-	0K58-01323-0000	2	Handrail Tube Cap
-	0K58-01303-0002	1	Top Left Handrail Boot
-	0K58-01304-0001	1	Bottom Right Handrail Boot
-	0K58-01304-0002	1	Bottom Left Handrail Boot
-	0017-00101-1772	2	Hardware: Phillips Pan Screw 0.5"
-	0K58-01303-0001	1	Top Right Handrail Boot
-	0017-00042-0326	2	Hardware: Plastic Grommet
-	0017-00103-0327	4	Hardware: Hex Nut 5/16" ID
-	0K58-01302-0103	2	Cap: Upright Tube; Arctic Silver
-	0K58-01305-0002	4	Upright Plug
-	AK58-00259-0001	1	Handrail
-	AK58-00311-0004	1	Upright: Left
-	0017-00101-1778	6	Hardware: Hex Bolt 1"
-	0017-00104-0325	6	Hardware: Washer 0.873" OD
-	0017-00101-1774	4	Hardware: TORX Screw 2.5"
-	0017-00101-1780	8	Hardware: Mounting Screws
-	AK58-00311-0003	1	Upright: Right
-	0017-00101-1770	6	Hardware: Phillips Pan Screw 0.5"

Wax/Lift Assembly



Ref #	Part Number	Qty	Description
-	0017-00101-1253	4	Hardware: Screw
-	0017-00101-1641	3	Hardware: Phillips Pan Screw
-	A084-92261-A001	1	Wax/Lift PCB
-	0017-00042-0821	4	Hardware: Plastic Grommet
-	0017-00042-1070	3	Pin Collar Spacer
-	0017-00042-1149	3	Spacer
-	0K58-01316-0000	1	Mounting Bracket
-	0017-00103-0052	3	Hardware: Locking Nut ID
-	B084-92241-A000	1	Motor Capacitor PCB Assembly

