

# 93T Treadmill - 4HP AC - Prewired - Heart Rate

93TW-0100-04

## Parts Manual

1/5/2019 8:44:21 AM



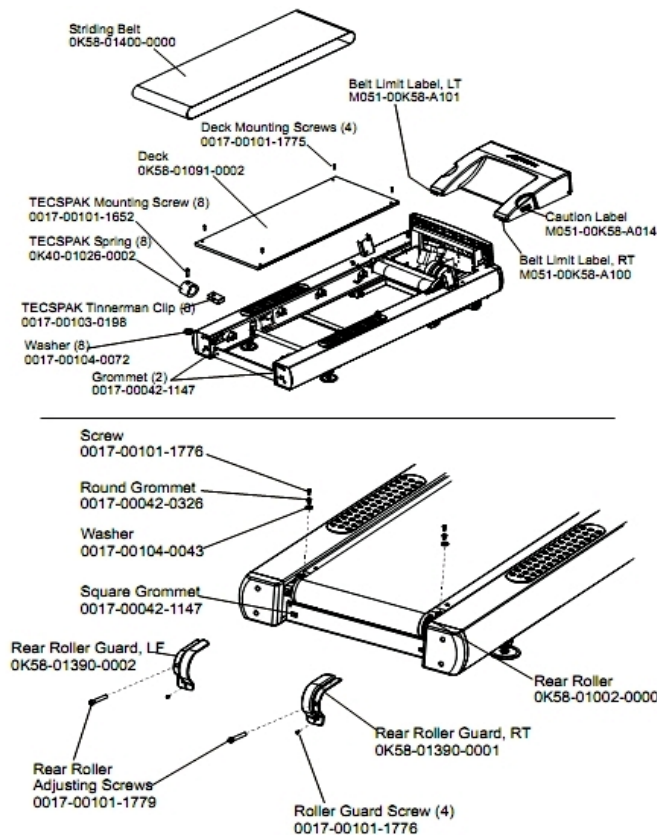
*LifeFitness*  
WHAT WE LIVE FOR

## Table of Contents

---

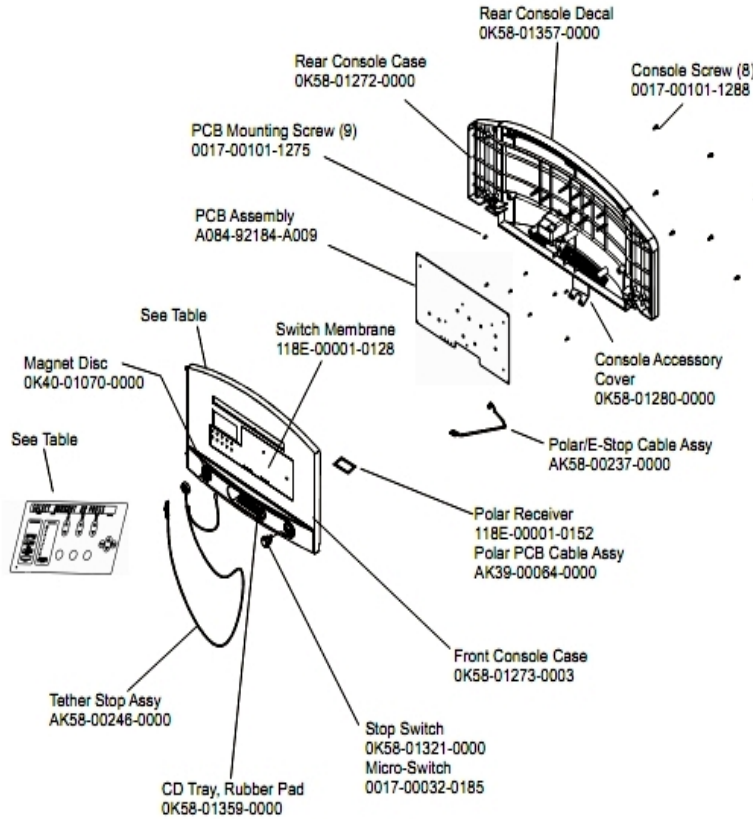
<a href="#">Belt, Deck and Rear Rollers.....</a>	<a href="#">3</a>
<a href="#">Console and Related Components.....</a>	<a href="#">4</a>
<a href="#">Drive Motor Assembly.....</a>	<a href="#">5</a>
<a href="#">Ergo Bar with Lifepulse.....</a>	<a href="#">6</a>
<a href="#">Front Roller Assembly.....</a>	<a href="#">7</a>
<a href="#">Idler Arm and Static Brush.....</a>	<a href="#">8</a>
<a href="#">Leveler Assembly.....</a>	<a href="#">9</a>
<a href="#">Lift Frame and Lift Motor.....</a>	<a href="#">10</a>
<a href="#">Motor Controller Assembly.....</a>	<a href="#">11</a>
<a href="#">Motor Cover, Front Cover and Front End Caps.....</a>	<a href="#">12</a>
<a href="#">Power Components Schematic 1.....</a>	<a href="#">13</a>
<a href="#">Power Components Schematic 2.....</a>	<a href="#">14</a>
<a href="#">Rear End Caps and Cup Holders.....</a>	<a href="#">15</a>
<a href="#">References.....</a>	<a href="#">16</a>
<a href="#">Scuff Pad, Tinsel and Frame Tag Board.....</a>	<a href="#">17</a>
<a href="#">Uprights, Handrails and Ergo Bar.....</a>	<a href="#">18</a>
<a href="#">Wax/Lift Assembly.....</a>	<a href="#">19</a>
<a href="#">Wax/Lift Power Supply.....</a>	<a href="#">20</a>

## Belt, Deck and Rear Rollers



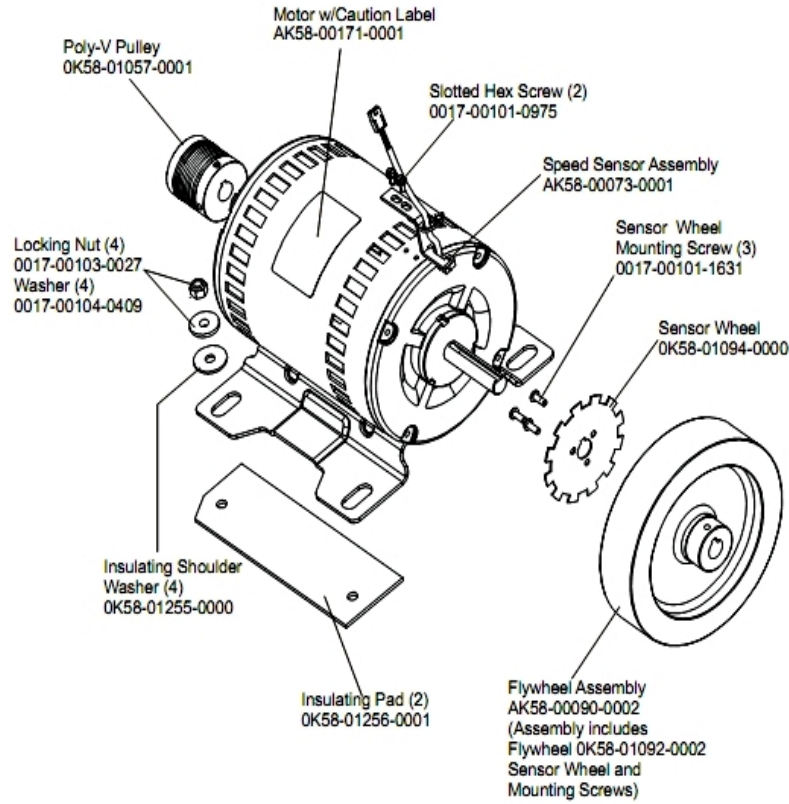
Ref #	Part Number	Qty	Description
-	0017-00101-1775	4	Hardware: Deck Screws 1.25"
-	OK58-01390-0001	1	Rear Roller Guard Right
-	OK65-01263-0000	1	Deck
-	OK40-01026-0002	8	Deck Spring
-	M051-00K58-A101	1	Belt Limit Label. Left
-	0017-00101-1776	6	Hardware: Mounting Screw 0.5"
-	0017-00104-0043	2	Hardware: Flat Washer 0.734" OD
-	0017-00101-1652	8	Hardware: Spring Mounting Screw 1"
-	0017-00042-1147	4	Hardware: Nylon Grommet
-	0017-00042-0326	2	Hardware: Plastic Grommet
-	M051-00K58-A014	1	Label: Caution
-	OK58-01390-0002	1	Rear Roller Guard Left
-	OK58-01002-0000	1	Rear Roller - 3.5"
-	OK58-01400-0000	1	Striding Belt
-	0017-00101-1779	2	Hardware: Rear Roller Adjusting Bolt
-	M051-00K58-A100	1	Label: Belt Limit: Right
-	0017-00104-0072	8	Hardware: Flat Washer 0.562" OD
-	0017-00103-0198	8	Hardware: Tinnerman Clip 1/4" ID

## Console and Related Components



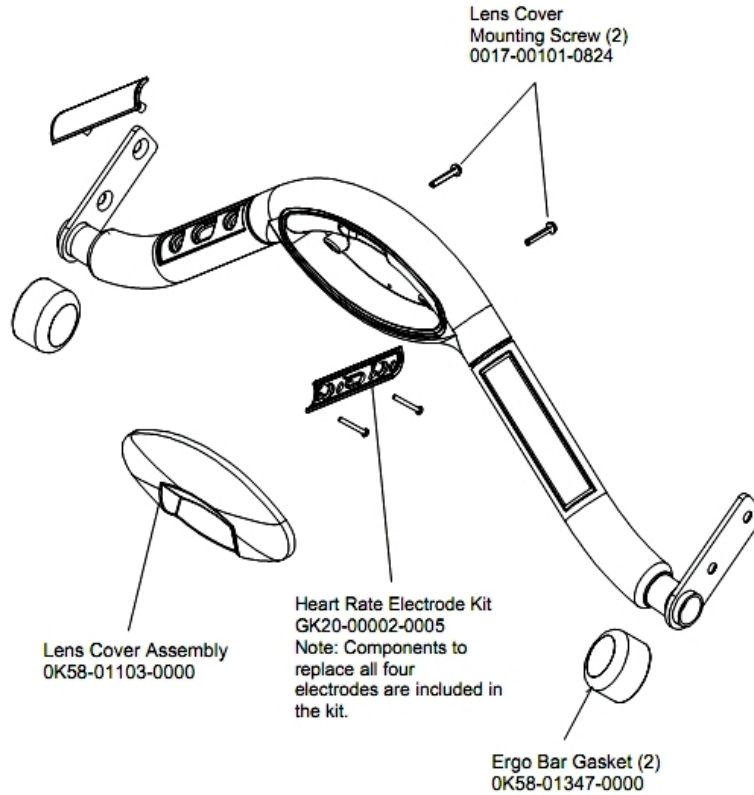
Ref #	Part Number	Qty	Description
-	0K58-01357-0000	1	Decal
-	0K58-01321-0000	1	Stop Switch
-	0017-00032-0185	1	Micro Switch 150GR
-	0017-00101-1288	8	Hardware: Phillips Screw 0.5"
-	0017-00101-1275	9	Hardware: Phillips Screw 0.375"
-	118E-00001-0259	1	Wireless Receiver Module, Non-Coded
-	0K40-01070-0000	1	Magnetic Disk
-	AK58-00322-0000	1	Tether Stop Assembly
-	0K58-01359-0000	1	Rubber Pad
-	AK58-00481-0001	1	Console: English/English
-	AK58-00237-0000	1	Cable-Assembly: Polar/E-Stop
-	118E-00001-0244	1	Heart Rate Receiver
-	0K58-01273-0003	1	Front Console Case
-	AK58-00526-0001	1	Bezel Switch with Overlay: English/Metric
-	A084-92184-A009	1	PCB Assembly
-	0K58-01280-0000	1	Accessory Cover
-	118E-00001-0128	1	Switch Membrane
-	0K58-01272-0000	1	Rear Console Case

# Drive Motor Assembly



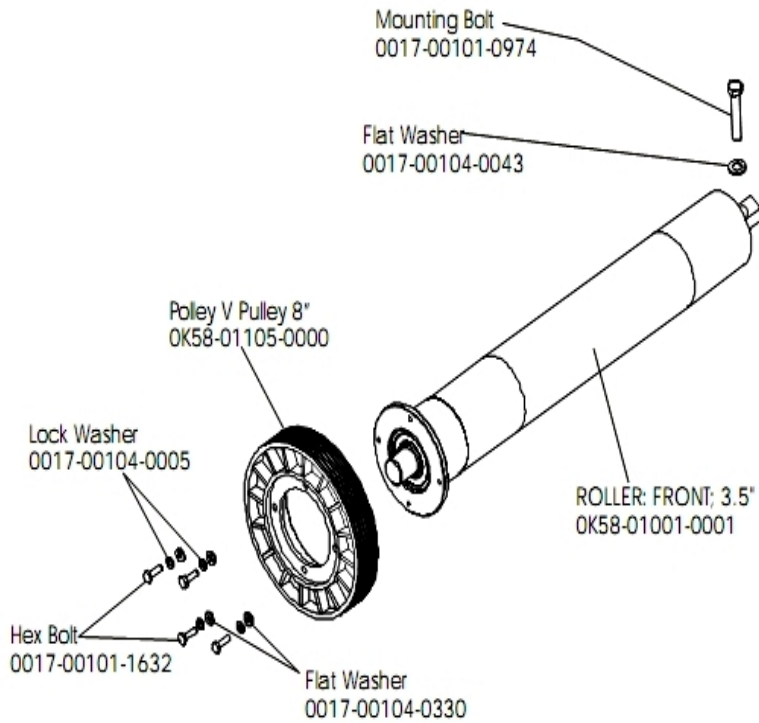
Ref #	Part Number	Qty	Description
-	AK58-00171-0001	1	Drive Motor Assembly
-	0017-00101-0975	2	Hardware: Mounting Bolt 0.375"
-	0017-00103-0027	4	Hardware: Locking Nut. 5/16" ID
-	OK58-01057-0001	1	Drive Pulley - 1.971"
-	OK58-01255-0000	4	Hardware: Insulating Washers
-	AK58-00073-0001	1	Speed Sensor Assembly
-	OK58-01094-0000	1	Sensor Wheel
-	AK58-00090-0002	1	Flywheel Assembly
-	OK58-01256-0001	2	Insulating Pad
-	0017-00101-1631	3	Hardware: Sensor Wheel Mounting Screw
-	0017-00104-0409	4	Hardware: Washer 1.125" OD

## Ergo Bar with Lifepulse



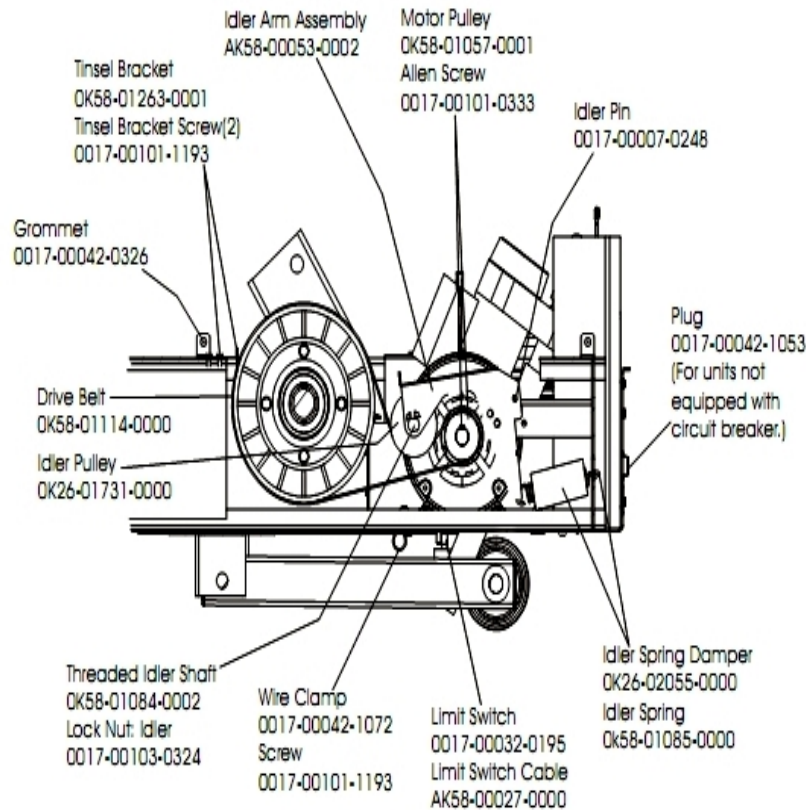
Ref #	Part Number	Qty	Description
-	AK58-00064-0000	1	I/R Lens Cover Assembly
-	0017-00101-0824	2	Hardware: Screw 1.125"
-	0K58-01347-0000	2	ErgoBar Gasket
-	GK20-00002-0005	1	Heart Rate Electrode Kit

## Front Roller Assembly



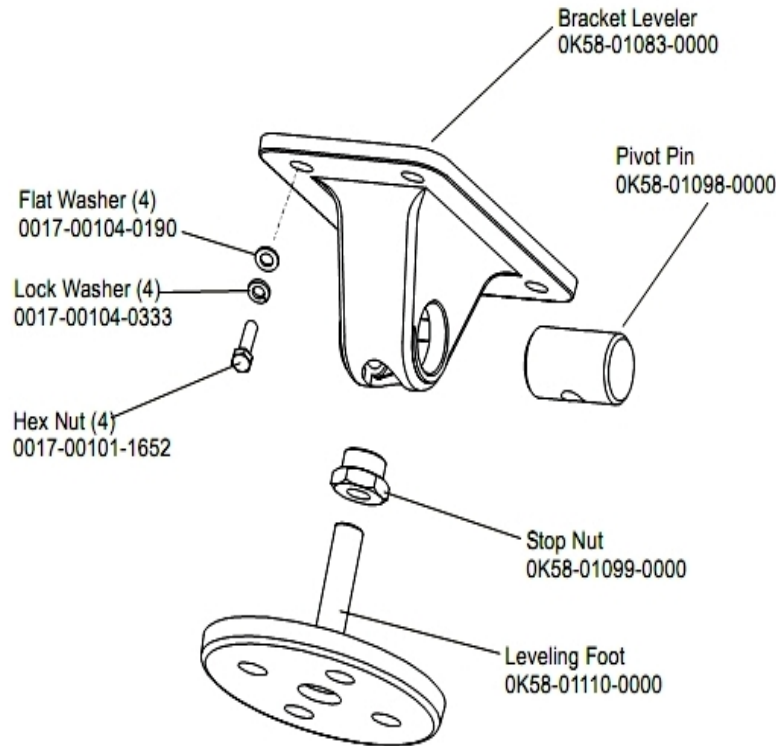
Ref #	Part Number	Qty	Description
-	0017-00101-0974	1	Hardware: Mounting Bolt 2"
-	0017-00104-0330	4	Hardware: Flat Washers 0.562" OD
-	AK58-00066-0000	1	Front Roller Assembly
-	OK58-01001-0001	1	Front Roller - 3.5"
-	OK58-01105-0000	1	Drive Pulley Poly V - 8"
-	0017-00104-0043	1	Hardware: Flat Washer 0.734" OD
-	0017-00104-0005	4	Hardware: Lock Washer 0.489" OD
-	0017-00101-1632	4	Hardware: Hex Bolt 0.875"

## Idler Arm and Static Brush



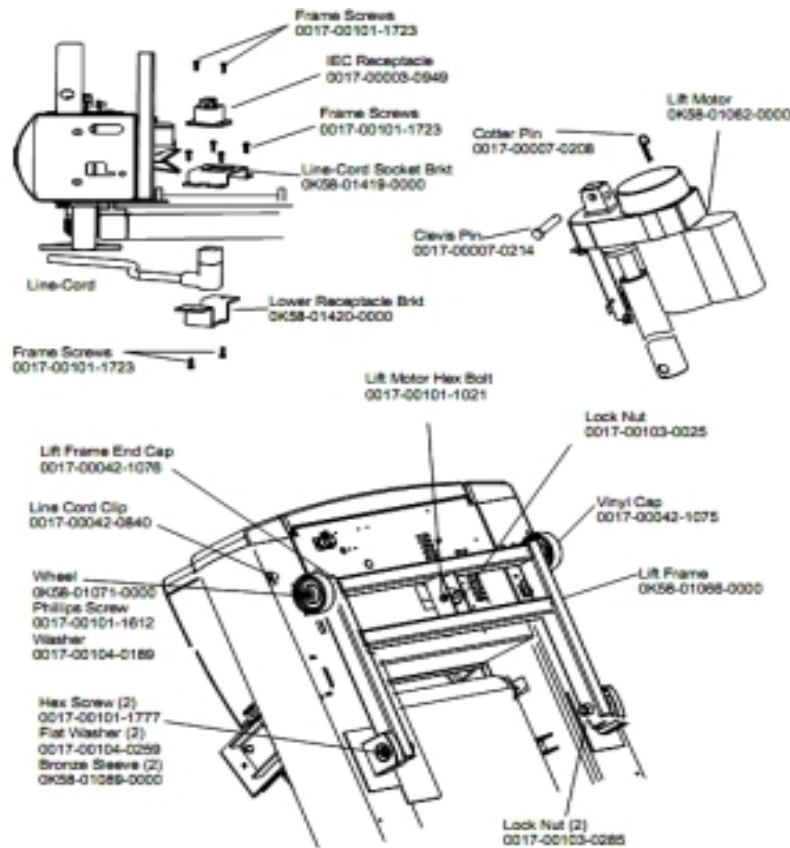
Ref #	Part Number	Qty	Description
-	OK58-01057-0001	1	Drive Pulley - 1.971"
-	OK58-01263-0001	1	Tinsel Bracket
-	0017-00103-0324	1	Hardware: Thin Lock Nut 3/8" ID
-	AK58-00027-0000	1	Limit Switch Cable
-	OK26-01731-0000	1	Plastic Idler 2 5/8" OD
-	OK26-02055-0000	1	Spring Damper
-	0017-00032-0195	1	Home Switch
-	0017-00042-1072	1	Hardware: Wire Clamp - 5/8"
-	OK58-01084-0002	1	Threaded Shaft
-	0017-00007-0248	1	Hardware: Locking Pin .31" D 2.125" L
-	0017-00042-0326	1	Hardware: Plastic Grommet
-	0017-00101-1193	3	Hardware: Screw 0.375"
-	OK58-01114-0000	1	Poly-V Drive Belt - 370J12
-	0017-00101-0333	1	Hardware: Screw 0.3125"
-	AK58-00053-0002	1	Idler Arm Assembly
-	OK58-01085-0000	1	Extension Spring
-	0017-00042-1053	1	Plug (For units not equipped with circuit breaker.)

## Leveler Assembly



Ref #	Part Number	Qty	Description
-	0017-00104-0333	4	Hardware: Washer 0.683" OD
-	OK58-01110-0000	1	Leveler Foot
-	OK58-01098-0000	1	Hardware: Pivot Pin
-	OK58-01083-0000	1	Leveler Bracket
-	OK58-01099-0000	1	Hardware: Stop Nut
-	0017-00104-0190	4	Hardware: Flat Washer 0.734" OD
-	AK58-00370-0000	1	Leveler Assembly
-	0017-00101-1652	4	Hardware: Spring Mounting Screw 1"

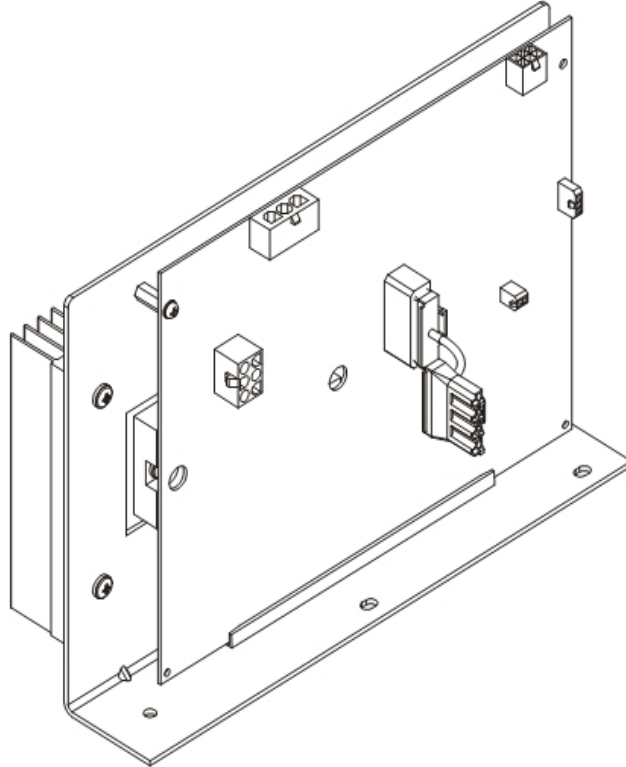
## Lift Frame and Lift Motor



Ref #	Part Number	Qty	Description
-	AK58-00220-0000	1	LIFT-FRAME ASSY: MFG. C
-	0017-00042-1076	4	Lift Frame End Cap
-	0017-00007-0208	2	Hardware: Cotter Pin
-	0017-00101-1777	2	Hardware: Lift Frame Mounting Bolt 2.75"
-	0017-00104-0189	2	Hardware: Flat Washer 1" OD
-	0K58-01419-0000	1	Line Cord Socket Bracket
-	0017-00103-0285	2	Hardware: Nut 5/8" ID
-	0017-00101-1723	3	Hardware: Phillips Pan Screw 0.375"
-	0017-00101-1021	1	Hardware: Lift Motor Hex Bolt 2.5"
-	0017-00103-0025	1	Hardware: Locking Nut 3/8" ID
-	0017-00104-0259	2	Hardware: Washer 1.331" OD
-	0K58-01062-0000	1	Lift Motor - 120/60
-	0K58-01420-0000	1	Lower Receptacle Bracket
-	0K58-01089-0000	2	Bronze Sleeve Bushings
-	0017-00042-0840	1	Hardware: Push Mount Clip
-	0K58-01071-0000	2	Wheel
-	0017-00101-1612	1	Hardware: Phillips Screw 0.5"
-	0017-00003-0949	1	IEC Receptacle
-	0017-00007-0214	2	Hardware: Clevis Pin 3/8" D 1.75" L
-	0017-00042-1075	1	Vinyl Cap

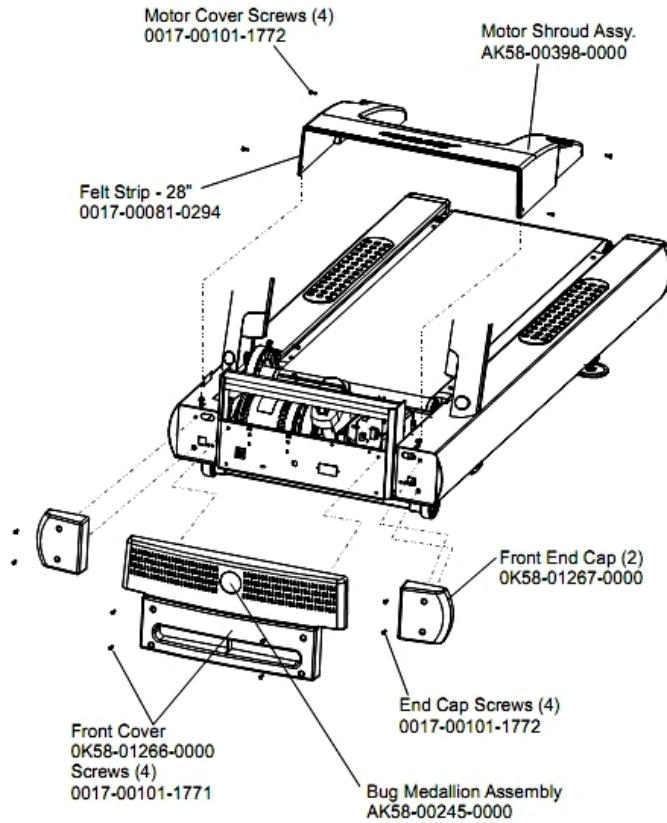
## Motor Controller Assembly

---



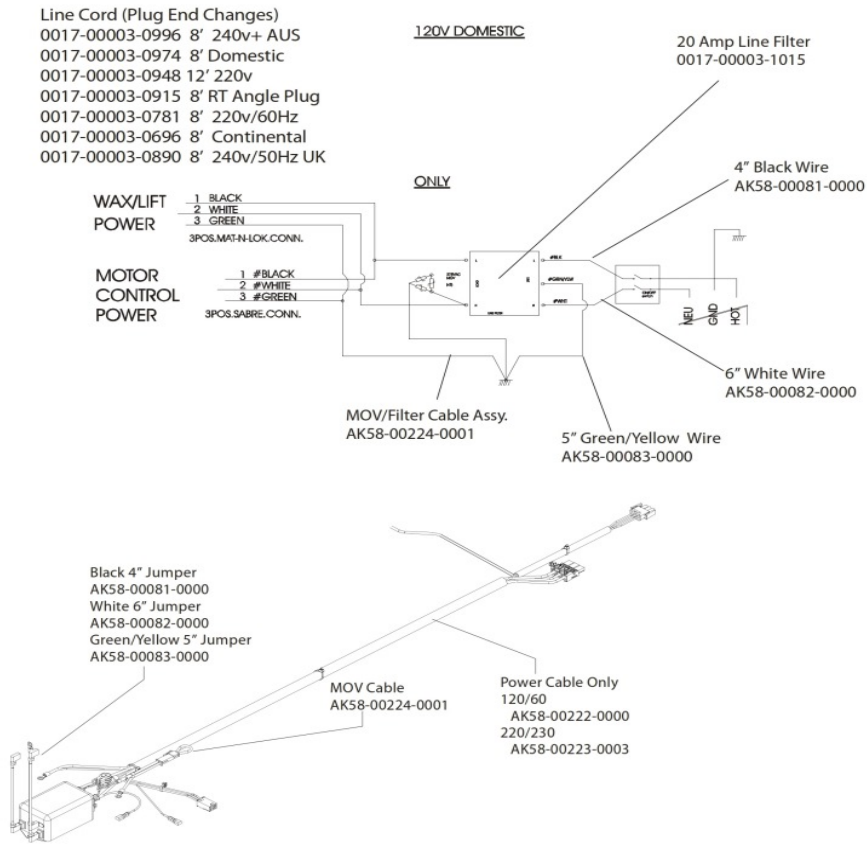
Ref #	Part Number	Qty	Description
-	GK65-00002-0018	1	Kit: Service; Motor Controller; 100-120VA; Display

## Motor Cover, Front Cover and Front End Caps



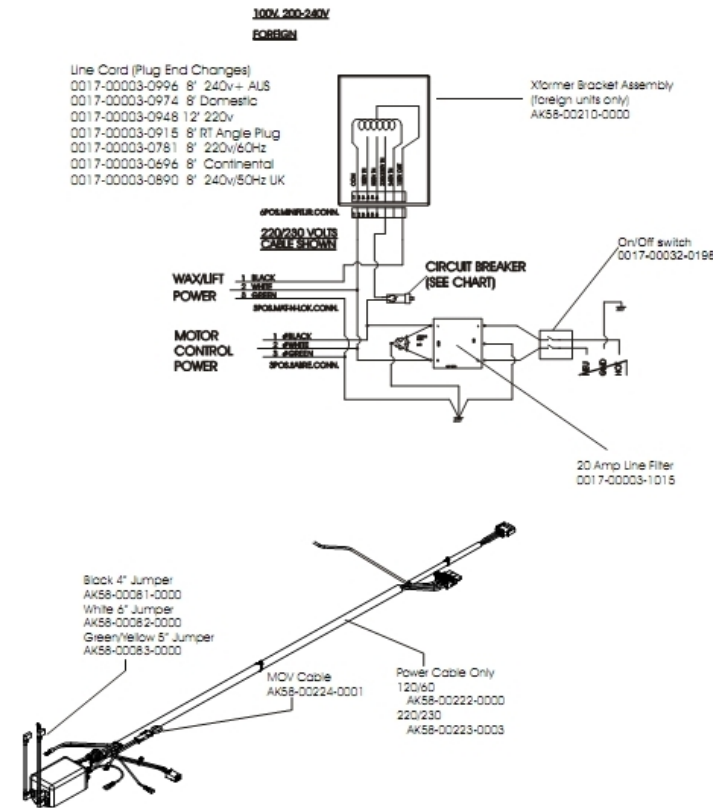
Ref #	Part Number	Qty	Description
-	AK58-00245-0000	1	Bug Medallion
-	0017-00081-0294	1	Felt Strip - 28"
-	0017-00101-1771	4	Hardware: Phillips Pan Screw
-	AK58-00398-0000	1	Motor Shroud Assembly
-	OK58-01267-0000	2	End Cap
-	0017-00101-1772	8	Hardware: Phillips Pan Screw 0.5"
-	OK58-01266-0000	1	Front Cover

# Power Components Schematic 1



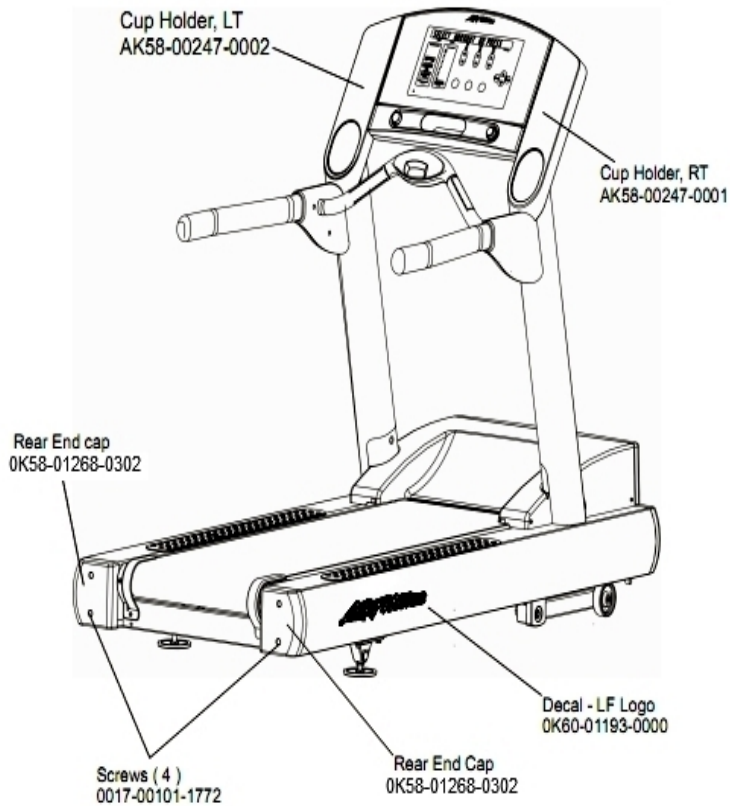
Ref #	Part Number	Qty	Description
-	AK58-00265-0001	1	Harness Assembly: 120/60
-	AK58-00082-0000	2	Jumper Cable Assembly: White - 6"
-	AK58-00083-0000	2	Cable Assembly
-	0017-00003-0915	1	Line Cord RT Angle Plug
-	0017-00003-1015	2	20 amp Line Filter (DOM)
-	AK58-00223-0003	1	Power Cable Assembly 220-230V
-	AK58-00224-0001	2	Cable: MOV; Fliter
-	AK58-00081-0000	2	Jumper Cable Assembly: Black - 4"
-	AK58-00222-0000	2	Power Cable Assembly 120V
-	0017-00003-0974	1	Line Cord: 120V: 8'
-	0017-00003-0948	1	12' 220v Line Cord

### Power Components Schematic 2



Ref #	Part Number	Qty	Description
-	AK58-00223-0003	1	Power Cable Assembly 220-230V
-	0017-00003-0915	1	Line Cord RT Angle Plug
-	AK58-00210-0000	1	Transformer-Bracket Assembly
-	0017-00032-0198	1	On/Off Switch 22A
-	AK58-00081-0000	1	Jumper Cable Assembly: Black - 4"
-	AK58-00265-0001	1	Harness Assembly: 120/60
-	AK58-00222-0000	2	Power Cable Assembly 120V
-	AK58-00083-0000	1	Cable Assembly
-	0017-00003-0974	1	Line Cord: 120V: 8'
-	AK58-00224-0001	1	Cable: MOV; Fliter
-	AK58-00082-0000	1	Jumper Cable Assembly: White - 6"
-	0017-00003-1015	2	20 amp Line Filter (DOM)

## Rear End Caps and Cup Holders



Ref #	Part Number	Qty	Description
-	AK58-00247-0001	1	Cup Holder Right
-	OK60-01193-0000	1	Decal: LF Logo
-	AK58-00247-0002	1	Cup Holder Left
-	0017-00101-1772	4	Hardware: Phillips Pan Screw 0.5"
-	OK58-01268-0302	2	ENDCAP: REAR; STEALTH D

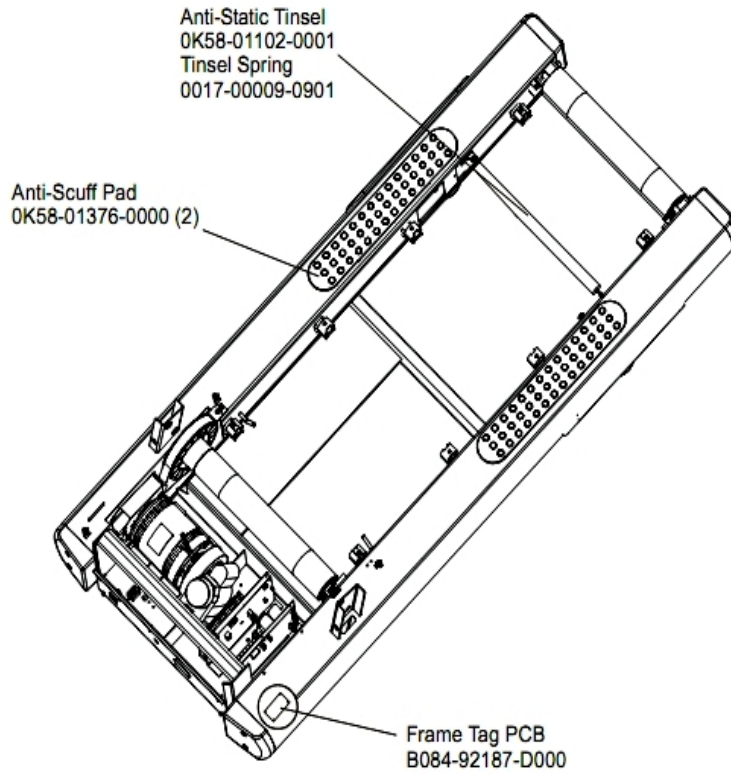
## References

---

Ref #	Part Number	Qty	Description
-	0017-00008-0206	1	.33oz Pen - Arctic Silver
-	0017-00008-0204	1	Paint Spray Can - Arctic Silver
-	0017-00008-0205	1	5 oz Bottle - Arctic Silver
-	0017-00021-2846	1	F-Type Panel Connector
-	AK58-00329-0000	1	Access Panel Assembly
-	OK58-01392-0000	1	Plate: Connector
-	AK58-00227-0000	1	Hardware Bag

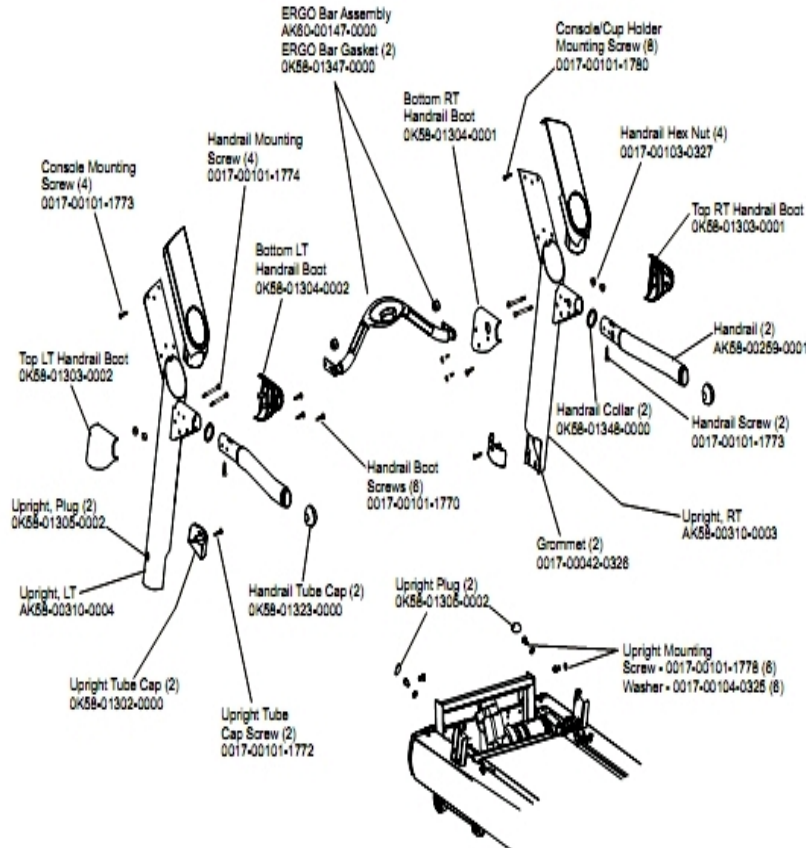
## Scuff Pad, Tinsel and Frame Tag Board

---



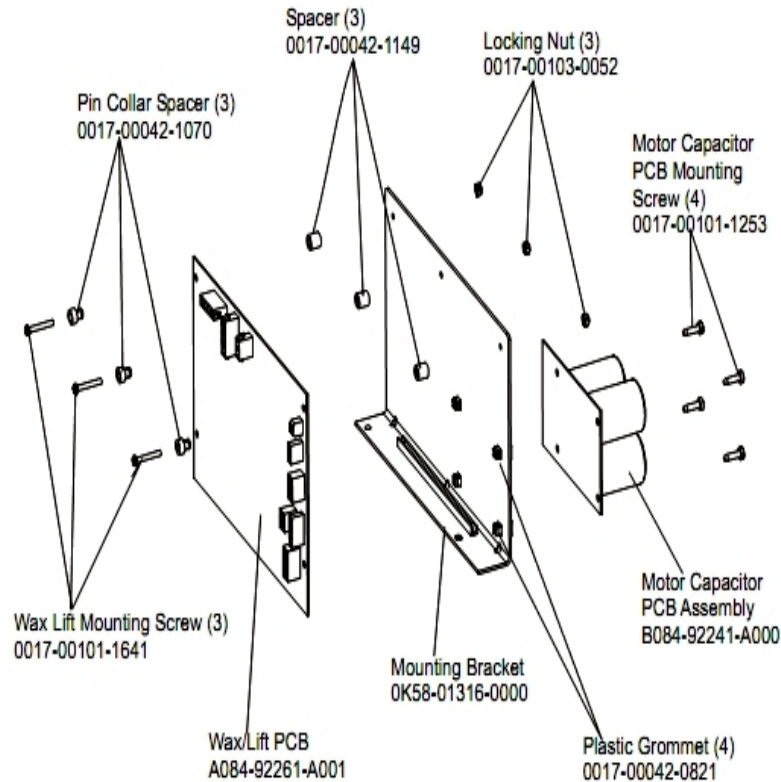
Ref #	Part Number	Qty	Description
-	OK58-01376-0000	2	Anti-Scuff Pad
-	0017-00009-0901	1	Tinsel Extension Spring
-	OK58-01102-0001	1	Anti-Static Tinsel
-	B084-92187-D000	1	Frame Tag PCB

## Uprights, Handrails and Ergo Bar



Ref #	Part Number	Qty	Description
-	0017-00101-1773	6	Hardware: TORX Screw 0.5"
-	OK58-01348-0000	2	Handrail Collar
-	OK58-01323-0000	2	Handrail Tube Cap
-	OK58-01303-0002	1	Top Left Handrail Boot
-	OK58-01304-0001	1	Bottom Right Handrail Boot
-	OK58-01304-0002	1	Bottom Left Handrail Boot
-	0017-00101-1772	2	Hardware: Phillips Pan Screw 0.5"
-	OK58-01303-0001	1	Top Right Handrail Boot
-	AK60-00147-0000	1	ERGO Bar with Heart Rate Sensor
-	0017-00101-1778	6	Hardware: Hex Bolt 1"
-	AK58-00310-0003	1	Upright: Right
-	0017-00042-0326	2	Hardware: Plastic Grommet
-	0017-00103-0327	4	Hardware: Hex Nut 5/16" ID
-	OK58-01302-0103	2	Cap: Upright Tube; Arctic Silver
-	OK58-01305-0002	4	Upright Plug
-	AK58-00259-0001	2	Handrail
-	AK58-00311-0004	1	Upright: Left
-	OK58-01347-0000	2	ErgoBar Gasket
-	0017-00104-0325	6	Hardware: Washer 0.873" OD
-	0017-00101-1774	4	Hardware: TORX Screw 2.5"
-	0017-00101-1780	8	Hardware: Mounting Screws
-	0017-00101-1770	6	Hardware: Phillips Pan Screw 0.5"

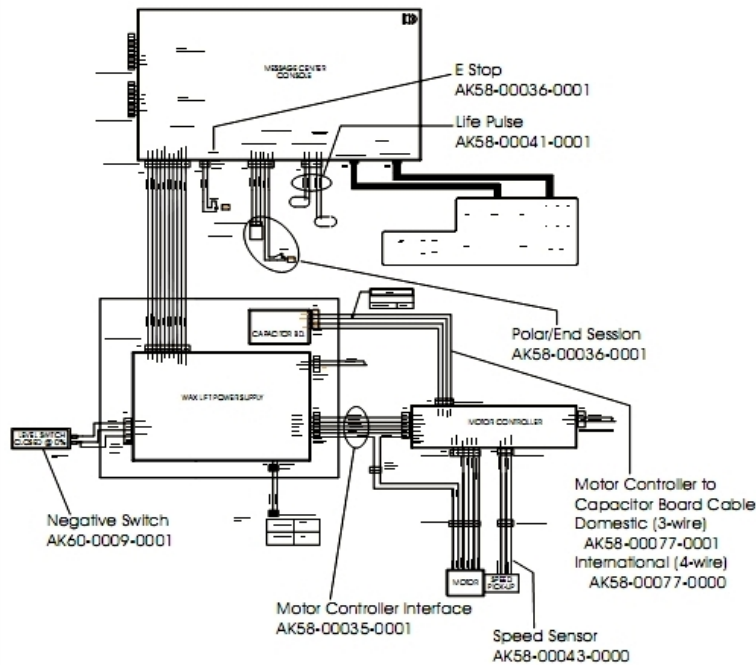
## Wax/Lift Assembly



Ref #	Part Number	Qty	Description
-	0017-00101-1253	4	Hardware: Screw
-	0017-00101-1641	3	Hardware: Phillips Pan Screw
-	0017-00042-1070	3	Pin Collar Spacer
-	0017-00103-0052	3	Hardware: Locking Nut ID
-	OK58-01316-0000	1	Mounting Bracket
-	0017-00042-1149	3	Spacer
-	AK58-00243-0000	1	Wax/Lift Assembly
-	B084-92241-A000	1	Motor Capacitor PCB Assembly
-	0017-00042-0821	4	Hardware: Plastic Grommet
-	A084-92261-A001	1	Wax/Lift PCB

## Wax/Lift Power Supply

For pre-wired units:  
120" Coax Cable  
AK32-00020-0002  
120" Power Extension Cable  
AK32-00078-0001



Ref #	Part Number	Qty	Description
-	AK32-00020-0002	1	Coax Cable: 120"
-	AK58-00077-0000	1	Cap Board Cable - International
-	AK58-00041-0001	1	Heart Rate Sensor Cable
-	AK32-00078-0001	1	Power Extension Cable: 120"
-	AK58-00077-0001	1	Cap Board Cable - Domestic
-	AK58-00035-0001	1	Motor Controller Interface Cable
-	AK60-00009-0001	1	Negative Switch Cable Assembly
-	AK58-00043-0000	1	Speed Sensor Cable
-	AK58-00036-0000	2	Cable-Assembly: Emergency-Stop Switch

