

93X Cross-Trainer - Arctic Silver

93X-0000-02

Parts Manual

1/5/2019 8:54:24 AM

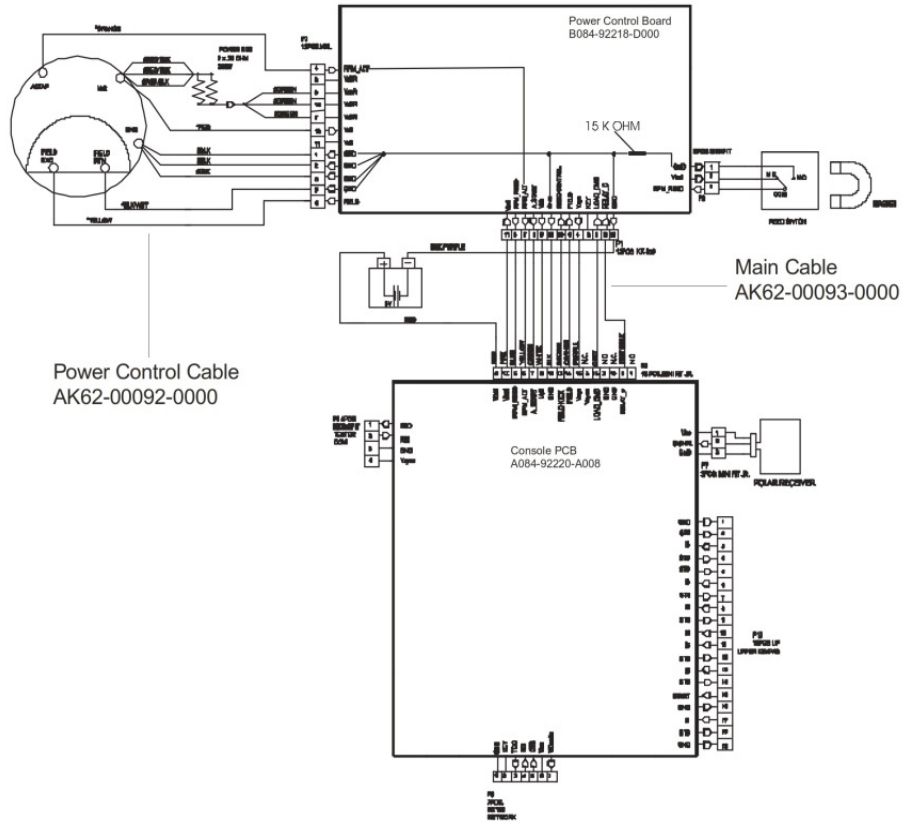


LifeFitness
WHAT WE LIVE FOR

Table of Contents

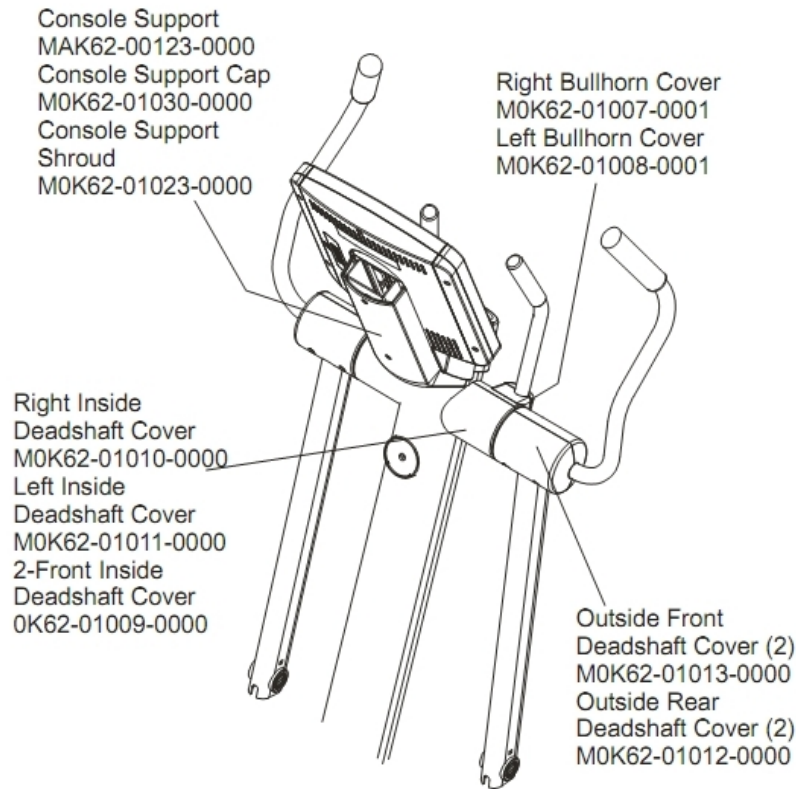
Cables.....	3
Console Support And Deadshaft Covers.....	4
Console & Related Components.....	5
Crank Cover And Lower Caps.....	6
Drive Module Components And Cable.....	7
Drive Module Hardware.....	8
Handlebars And Bullhorns.....	9
Lower Frame Shrouds And Hardware.....	10
Pedal Lever Assembly Components.....	11
References.....	13
Rocker Arms And Pedal Levers.....	14
Upper Frame Hardware.....	15

Cables



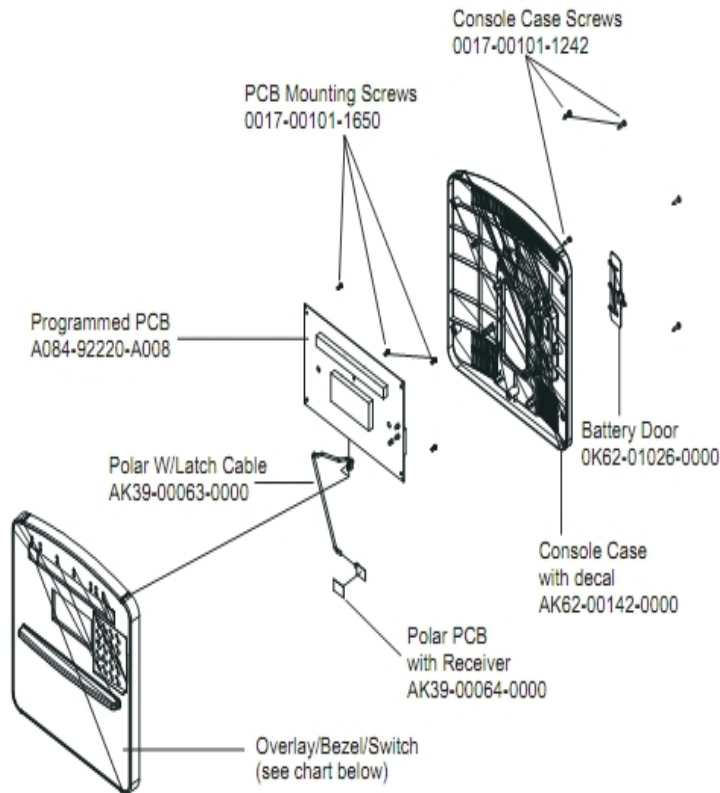
Ref #	Part Number	Qty	Description
-	AK62-00092-0000	1	Power Control Cable
-	B084-92218-0000	1	PCB Circuit Board
-	AK62-00093-0000	1	Main Cable
-	A084-92220-A008	1	Console PCB

Console Support And Deadshaft Covers



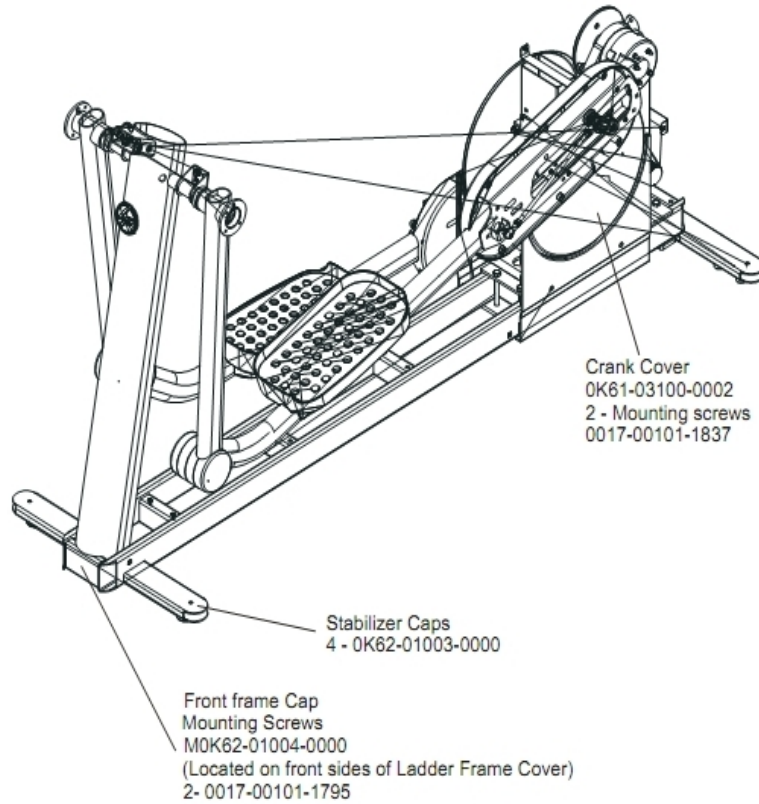
Ref #	Part Number	Qty	Description
-	0K62-01023-0001	1	Console Support Shroud
-	AK62-00123-0000	1	Console Support
-	0K62-01008-0001	1	Bullhorn Cover Left
-	0K62-01007-0001	1	Bullhorn Cover Right
-	0K62-01012-0000	2	Front Outside Deadshaft Cover
-	0K62-01009-0000	2	Front Inside Deadshaft Cover
-	0K62-01010-0000	1	Right Inside Deadshaft Cover
-	0K62-01011-0000	1	Left Inside Deadshaft Cover
-	0K62-01030-0001	1	Console Support Cap
-	0K62-01013-0000	2	Rear Outside Deadshaft Cover

Console & Related Components



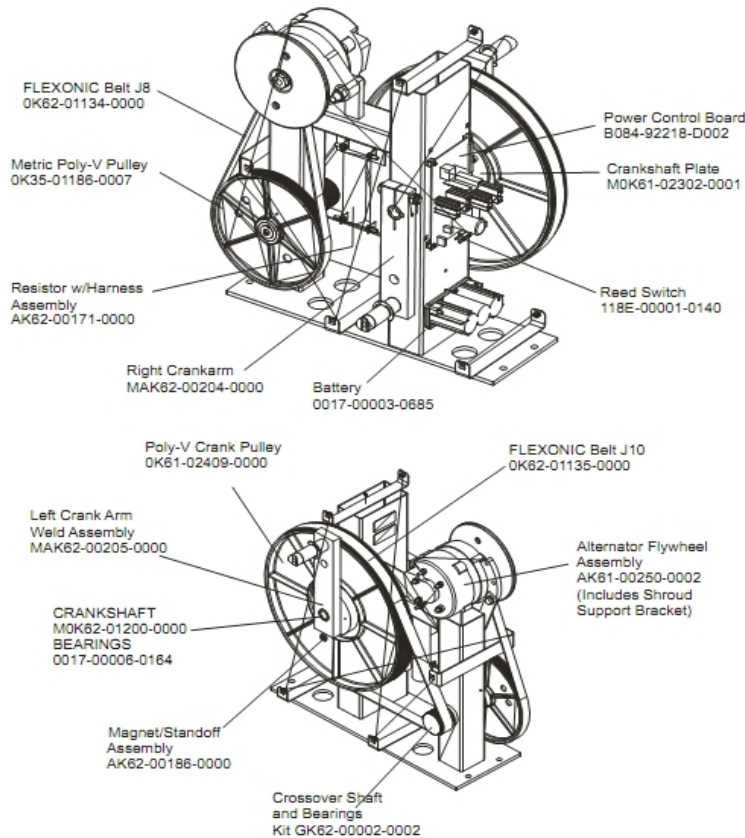
Ref #	Part Number	Qty	Description
-	AK62-00190-0001	1	Bezel Switch with Overlay: English/Metric
-	AK62-00150-0001	1	Console: English/Metric
-	AK39-00063-0000	1	Polar Cable
-	118E-00001-0259	1	Wireless Receiver Module, Non-Coded
-	AK62-00142-0000	1	Console Case with Decal
-	0017-00101-1650	1	Hardware: Phillips Pan Screw 0.375"
-	0017-00101-1242	1	Hardware: Phillips Pan Screw 0.75"
-	A084-92220-A008	1	Console PCB
-	0K62-01026-0000	1	Battery Door

Crank Cover And Lower Caps



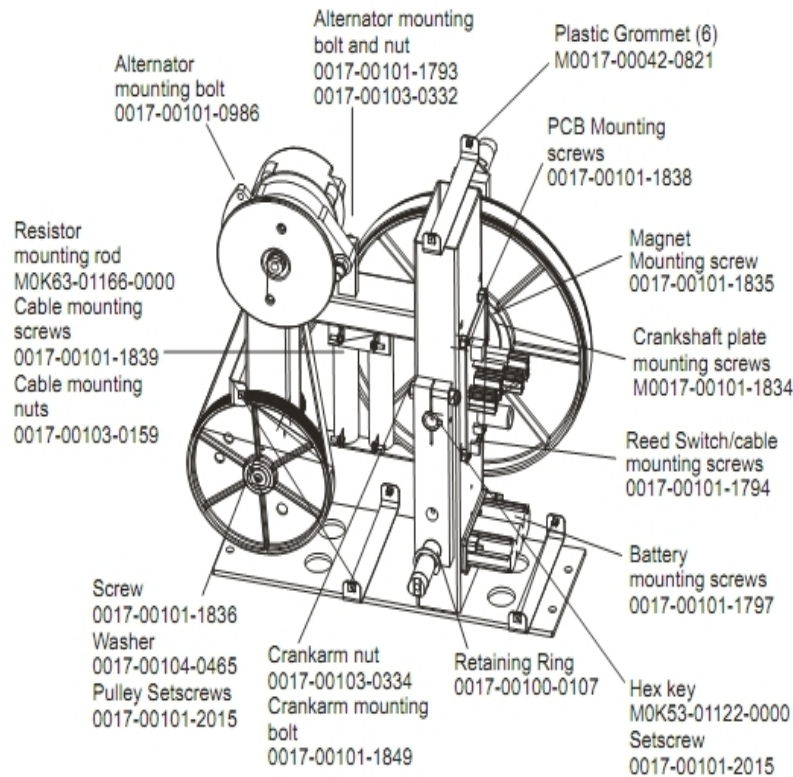
Ref #	Part Number	Qty	Description
-	0017-00101-1795	2	Hardware: Mounting Screw
-	0017-00101-1837	2	Hardware: Screw 18MM
-	0K61-03100-0002	1	Crank Cover
-	0K68-01130-0300	4	CAP; STABILIZER; STEALTH GREY
-	0K62-01004-0002	1	Front frame Cap

Drive Module Components And Cable



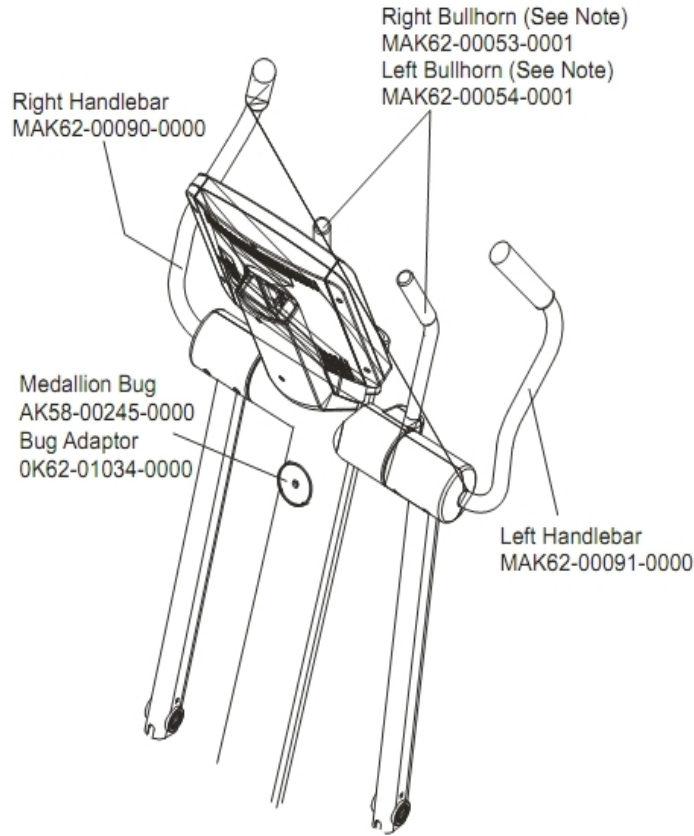
Ref #	Part Number	Qty	Description
-	GK62-00002-0002	1	Crossover Shaft and Bearing Assembly
-	0K62-01134-0000	1	Flexonic Belt
-	AK61-00250-0002	1	Alternator Flywheel Assembly
-	GK62-00002-0028	1	Crankshaft Kit with Bearing
-	AK62-00186-0000	1	Magnet-Standoff Assembly
-	118E-00001-0140	1	Reed Switch SPDT
-	AK62-00204-0000	1	Right Crankarm
-	0K61-02302-0001	1	Crankshaft Plate
-	0K35-01186-0007	1	Poly-V Pulley
-	0K61-02409-0000	1	Poly-V Crank Pulley
-	B084-92218-0000	1	PCB Circuit Board
-	0K62-01135-0000	1	Drive Belt
-	AK62-00171-0000	1	Resistor with Harness Assembly
-	0017-00003-0685	1	6V Battery
-	GK62-00002-0027	1	Left Crank Arm Weld Assembly

Drive Module Hardware



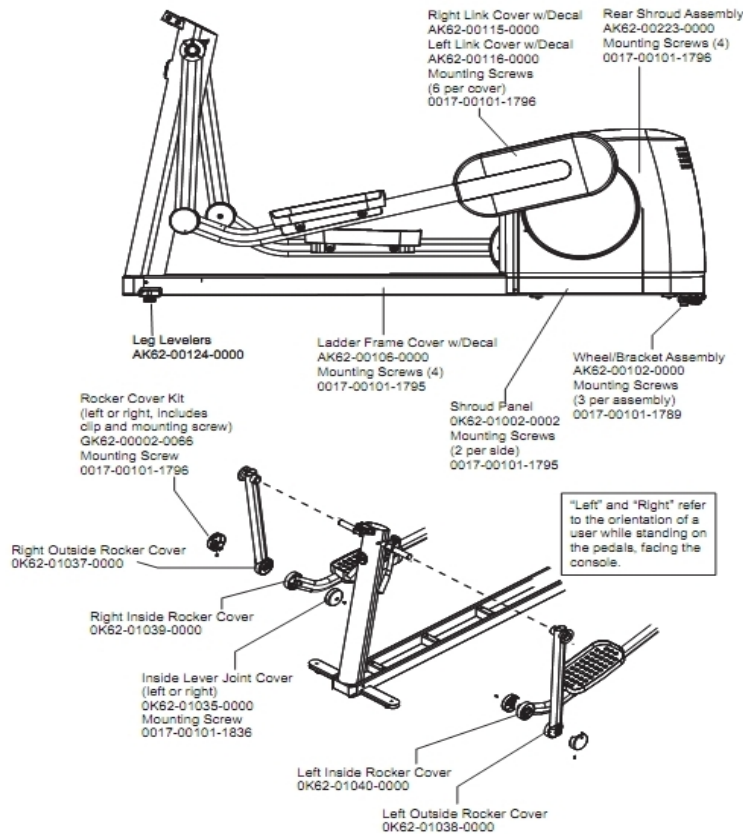
Ref #	Part Number	Qty	Description
-	0K53-01183-0000	1	Hex key
-	0017-00101-1834	1	Hardware: Screw 24MM
-	0K63-01166-0000	1	Resistor Mounting Rod
-	0017-00100-0107	1	Hardware: E-Ring 1"
-	0017-00101-1794	1	Hardware: Screw 10MM
-	0017-00101-1835	1	Hardware: Screw 10MM
-	0017-00104-0465	1	Hardware: Flat Washer 23MM OD
-	0017-00101-1839	1	Hardware: Cable Mounting Screw
-	0K53-01122-0000	1	Square Key
-	0017-00101-1838	1	Hardware: Mounting Screw 19 MM
-	0017-00101-1849	1	Hardware: Crank arm mounting bolt
-	0017-00103-0334	1	Hardware: Nut 10 MM
-	0017-00101-2015	2	Hardware: Pulley Set Screw 15 MM
-	0017-00101-1836	1	Hardware: Screw 10 MM
-	0017-00101-1797	1	Hardware: Mounting Screw 16 MM
-	0017-00042-0821	4	Hardware: Plastic Grommet
-	0017-00101-1793	1	Hardware: Alternator Mounting Bolt
-	0017-00042-0754	4	Hardware: Grommet
-	0017-00103-0332	1	Hardware: Mounting Nut
-	0017-00101-0986	1	Hardware: Bolt 0.75"
-	0017-00103-0159	1	Hardware: Mounting Nut
-	0K47-01104-0000	1	Hardware: Thrust Washer

Handlebars And Bullhorns



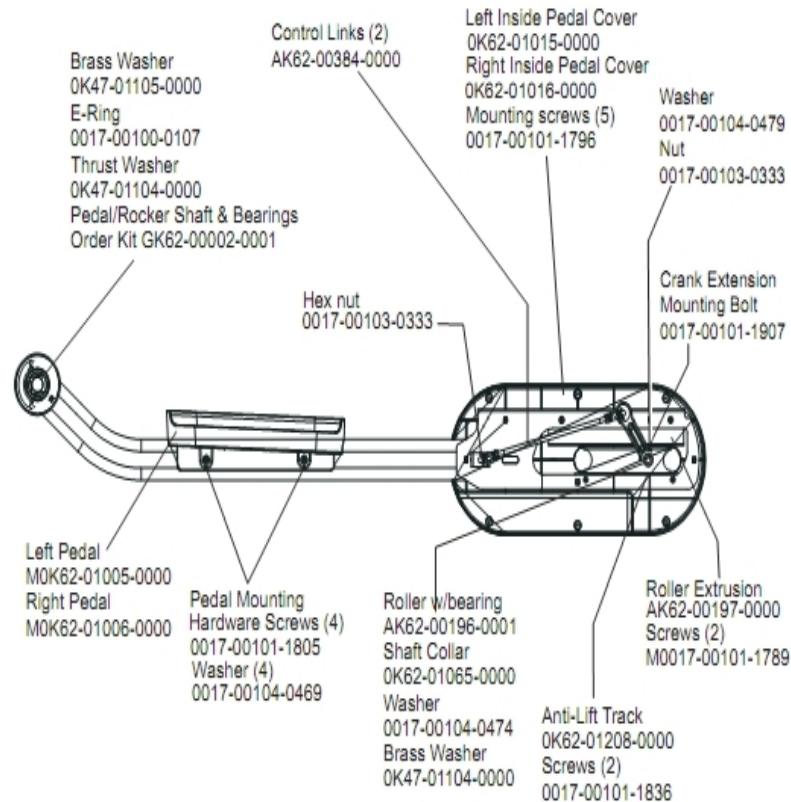
Ref #	Part Number	Qty	Description
-	OK62-01199-0000	2	Bullhorn Gasket
-	OK62-01034-0001	1	Bug Adaptor
-	AK62-00091-0000	1	Handlebar: Left
-	0017-00009-1191	1	Bullhorn Insert
-	AK58-00245-0000	1	Bug Medallion
-	AK62-00058-0001	2	Left Bullhorn
-	AK62-00054-0001	1	Left Bullhorn
-	OK62-01136-0000	2	Grip
-	AK62-00090-0000	1	Handlebar: Right
-	AK62-00053-0001	1	Right Bullhorn
-	AK62-00057-0001	2	Right Bullhorn

Lower Frame Shrouds And Hardware



Ref #	Part Number	Qty	Description
-	OK62-01035-0000	1	Inside Lever Joint Cover
-	OK62-01038-0000	1	Left Inside Rocker Cover
-	OK62-01037-0000	1	
-	GK62-00002-0066	1	Rocker Cover Kit
-	0017-00101-1795	8	Hardware: Mounting Screw
-	0017-00101-1836	1	Hardware: Screw 10 MM
-	AK62-00102-0000	1	Wheel/Bracket Assembly
-	AK62-00115-0000	1	Link Cover with Decal: Right
-	AK62-00116-0000	1	Link Cover with Decal: Left
-	AK62-00223-0000	1	Rear Shroud Assembly
-	OK62-01002-0003	1	Shroud Panel
-	0017-00101-1789	6	Hardware: Mounting Screws
-	OK62-01039-0000	1	Right Inside Lever Joint Cover
-	0017-00101-1796	17	Hardware: Mounting Screw 19 MM
-	OK62-01040-0000	1	Left Inside Lever Joint Cover
-	AK62-00106-0001	1	Ladder Frame Cover with Decal
-	AK62-00124-0000	1	Leg Leveler

Pedal Lever Assembly Components



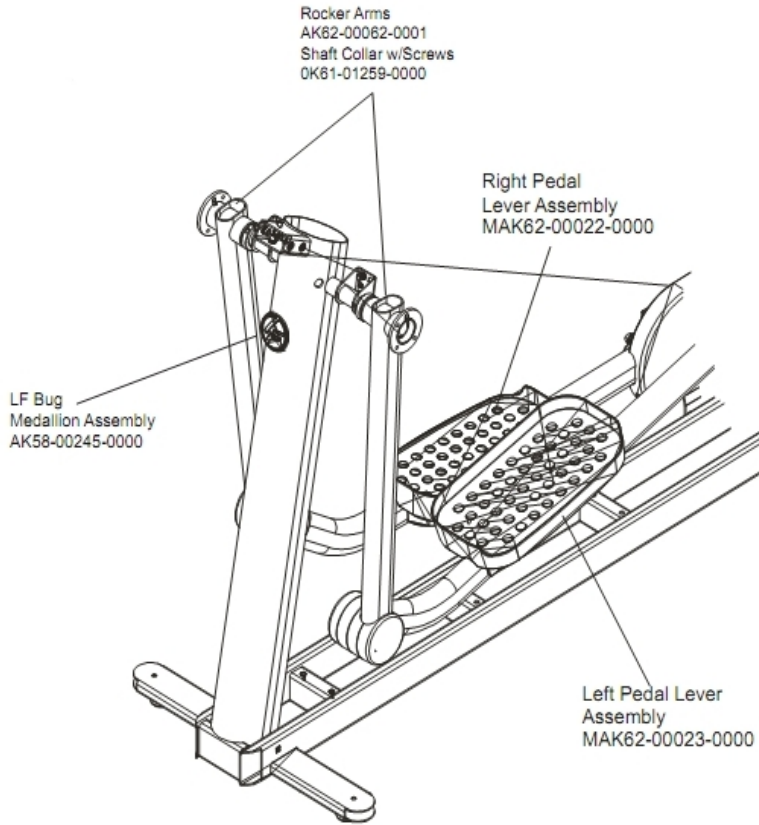
Ref #	Part Number	Qty	Description
-	0017-00101-1796	5	Hardware: Mounting Screw 19 MM
-	0017-00104-0474	1	Hardware: Washer
-	0K62-01208-0000	1	Anti-Lift Track
-	0K62-01016-0000	1	Inside Pedal Cover Left
-	0K62-01006-0000	1	Right Pedal
-	0K62-01005-0000	1	Left Pedal
-	0017-00101-1789	2	Hardware: Mounting Screws
-	0K47-01105-0000	1	Hardware: Hardened Thrust Washer
-	0K62-01191-0000	1	Anti-Lift Roller
-	GK62-00002-0071	3	Control Link Kit
-	GK62-00002-0001	1	Pedal/Rocker Shaft and Bearings
-	AK62-00197-0000	1	Roller Extrusion
-	AK62-00196-0001	1	Roller with Bearing
-	0017-00100-0107	1	Hardware: E-Ring 1"
-	0017-00101-1805	4	Hardware: TORX Screw 25 MM
-	0017-00101-1907	1	Hardware: Crank Extension Mounting Bolt
-	0017-00104-0469	4	Hardware: Flat Washer 16MM OD
-	0017-00101-1836	2	Hardware: Screw 10 MM
-	0017-00104-0479	1	Hardware: Flat Washer 25.4MM OD
-	0K62-01015-0000	1	Inside Pedal Cover Right
-	0K62-01065-0000	1	Shaft Collar
-	0017-00103-0333	2	Hardware: Hex Nut

Ref #	Part Number	Qty	Description
-	0K47-01104-0000	2	Hardware: Thrust Washer

References

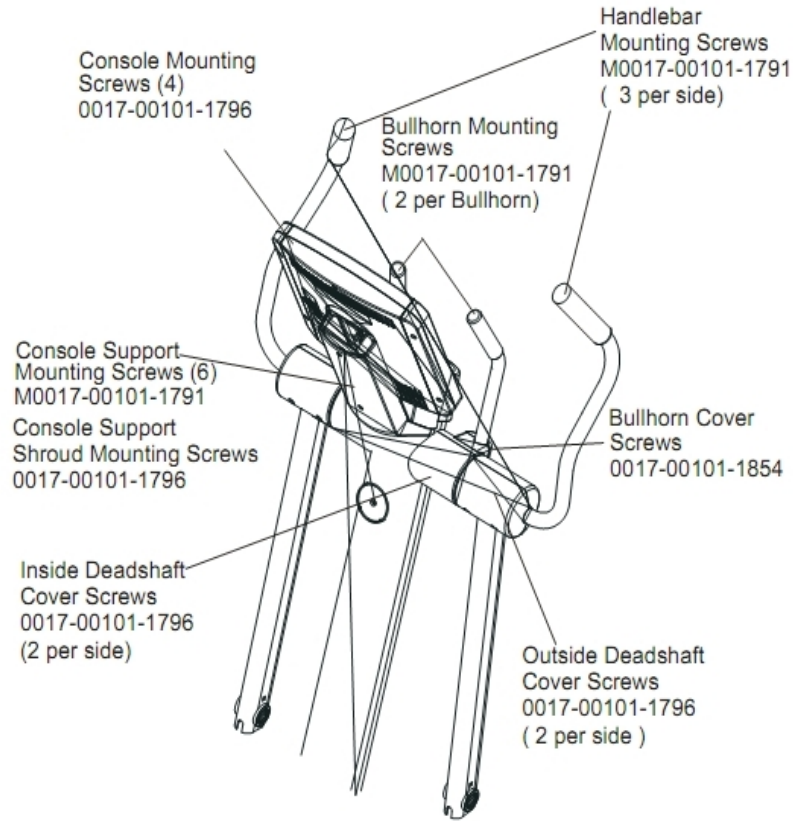
Ref #	Part Number	Qty	Description
-	0017-00042-0622	1	Cable Tie
-	0K62-01002-0003	1	Shroud Panel
-	0K62-01203-0000	1	Plate
-	0017-00008-0204	1	Paint Spray Can - Arctic Silver
-	0K53-01122-0000	1	Square Key
-	0017-00008-0206	1	.33oz Pen - Arctic Silver
-	GK62-00002-0028	1	Crankshaft Kit with Bearing
-	AK62-00058-0001	1	Left Bullhorn
-	GK63-00002-0003	1	C-SAFE Network Kit
-	AK62-00152-0001	1	Hardware Bag
-	0017-00100-0178	1	Hardware: Retaining Ring 1.25"
-	0K62-01191-0000	1	Anti-Lift Roller
-	0017-00008-0205	1	5 oz Bottle - Arctic Silver
-	GK62-00002-0018	1	Plug in Option 120/60

Rocker Arms And Pedal Levers



Ref #	Part Number	Qty	Description
-	OK61-01259-0000	1	Shaft Split Collar
-	GK62-00002-0070	2	Rocker Arm Kit
-	AK62-00236-0000	1	Right Pedal Lever Assembly
-	AK62-00235-0000	1	Left Pedal Lever Assembly

Upper Frame Hardware



Ref #	Part Number	Qty	Description
-	0017-00101-1791	12	Hardware: TORX Screw 19 MM
-	0017-00101-1876	1	Hardware: M 8X1.25-6G6GX 22 DIN TRX FLT CS ST BZ B
-	0017-00101-1854	1	Hardware: Bullhorn Cover Screw 44MM
-	0017-00101-1796	13	Hardware: Mounting Screw 19 MM
-	0017-00101-1846	2	Hardware: Phillips Pan Screw 10 MM
-	0K62-01022-0202	1	Accessory Tray

