

93X Cross-Trainer - English/Metric

93X-0000-05

Parts Manual

1/5/2019 8:55:48 AM



LifeFitness
WHAT WE LIVE FOR

Table of Contents

Bearing Insert Assembly.....	3
Cables.....	4
Console and Related Components.....	5
Console Support and Deadshaft Covers.....	6
Crank Arm Pulley Assembly.....	7
Crank Cover and Lower Caps.....	8
Drive Module.....	9
Drive Module Hardware.....	10
Handlebars and Bullhorns.....	11
Lower Frame Shrouds and Hardware.....	12
Pedal Lever Assembly Components.....	13
PCB, Battery, Reed Switch and Bracket.....	15
References.....	16
Rocker Arms and Pedal Levers.....	17
Upper Frame Hardware.....	18

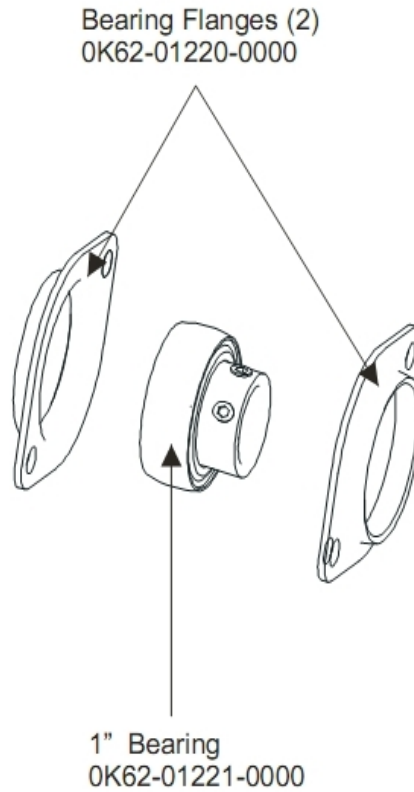
Bearing Insert Assembly

Service Kit-
GK62-00002-0044
Includes:

- 1 - crankshaft
- 2 - bearings
- 2 - sets of bearing flanges
- 4 - weldnuts and flat washers
- 4 - bolts

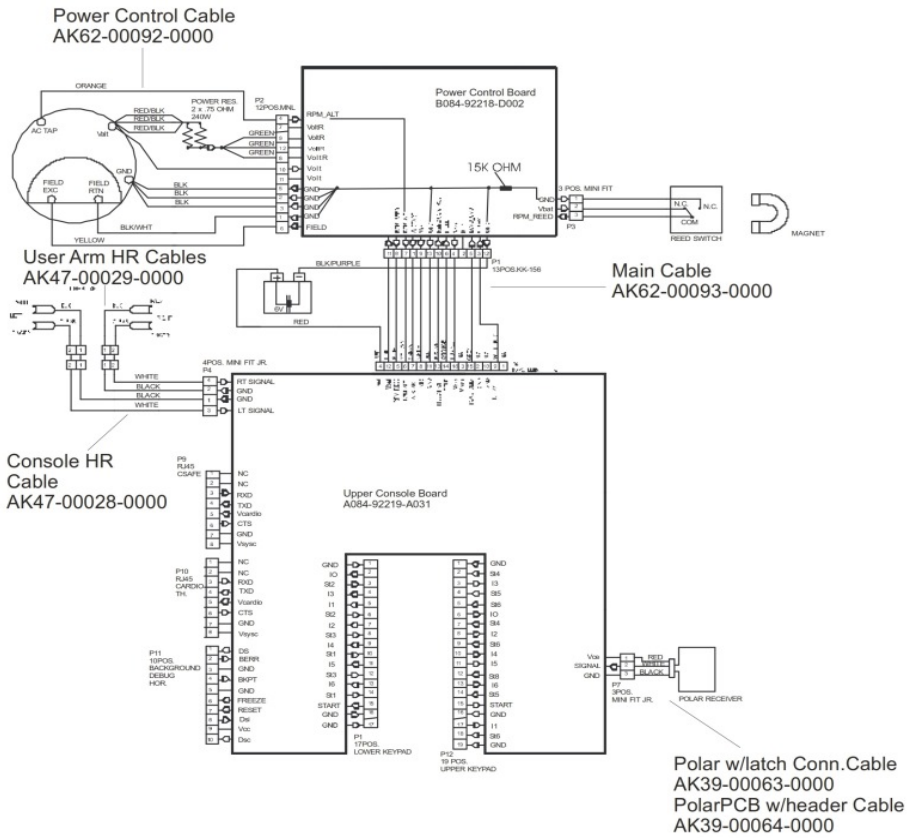
Service Kit- GK62-00002-0045
Includes:

- 1 - intermediate shaft
- 2 - bearings
- 2 - sets of bearing flanges
- 4 - weldnuts and flat washers
- 4 - bolts



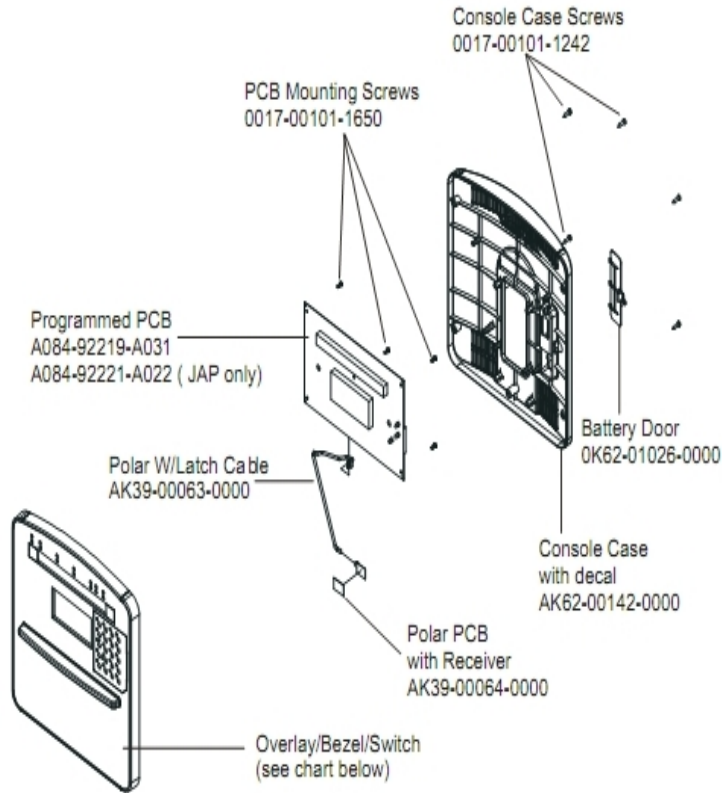
Ref #	Part Number	Qty	Description
-	GK62-00002-0044	1	Crankshaft Bearing Kit
-	GK62-00002-0045	1	Intermediate Shaft Bearing Kit
-	0K62-01220-0000	2	Bearing Flange
-	AK62-00299-0000	1	Bearing Insert Assembly

Cables



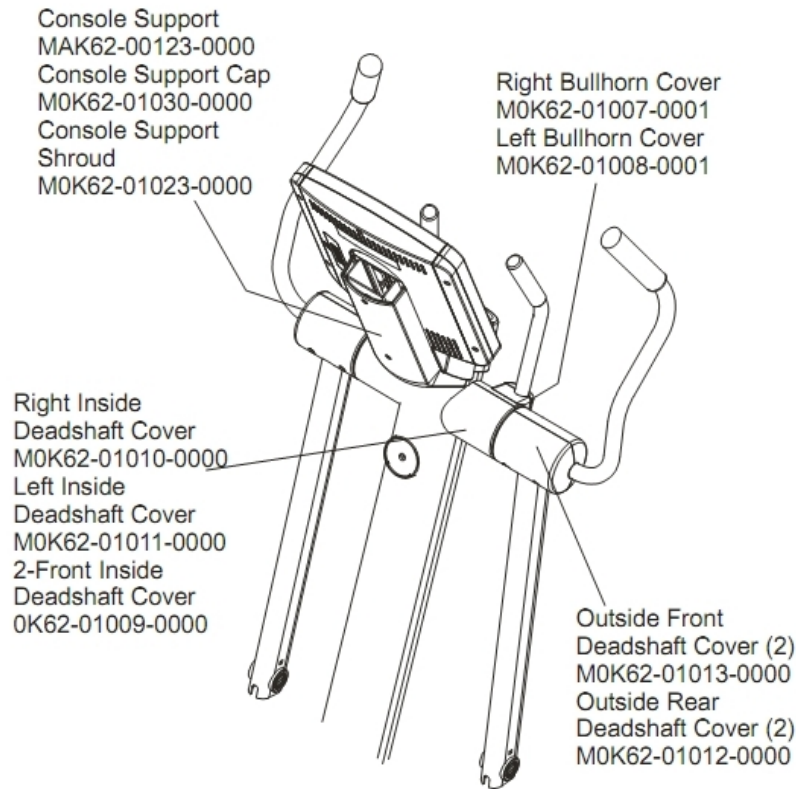
Ref #	Part Number	Qty	Description
-	AK62-00093-0000	1	Main Cable
-	AK47-00029-0000	1	Lifepulse Cable
-	AK39-00063-0000	1	Polar Cable
-	AK47-00028-0000	1	Lifepulse Cable
-	AK62-00092-0000	1	Power Control Cable
-	118E-00001-0259	1	Wireless Receiver Module, Non-Coded

Console and Related Components



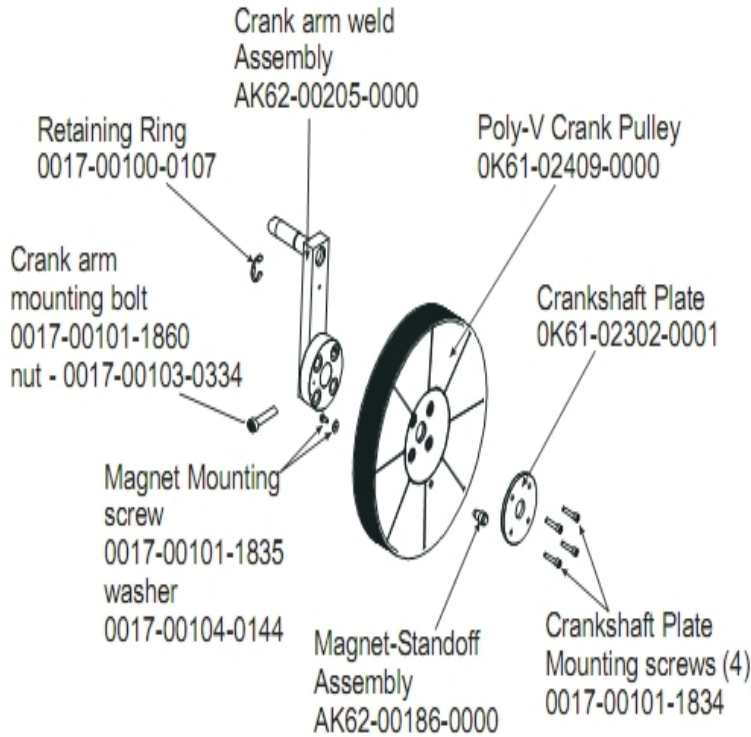
Ref #	Part Number	Qty	Description
-	118E-00001-0259	1	Wireless Receiver Module, Non-Coded
-	AK39-00063-0000	1	Polar Cable
-	0K62-01026-0000	1	Battery Door
-	AK62-00190-0001	1	Bezel Switch with Overlay: English/Metric
-	AK62-00142-0000	1	Console Case with Decal
-	AK62-00365-0001	1	Console English/Imperial
-	0017-00101-1242	6	Hardware: Phillips Pan Screw 0.75"
-	0017-00101-1650	5	Hardware: Phillips Pan Screw 0.375"
-	A084-92219-A031	1	PCB Assembly

Console Support and Deadshaft Covers



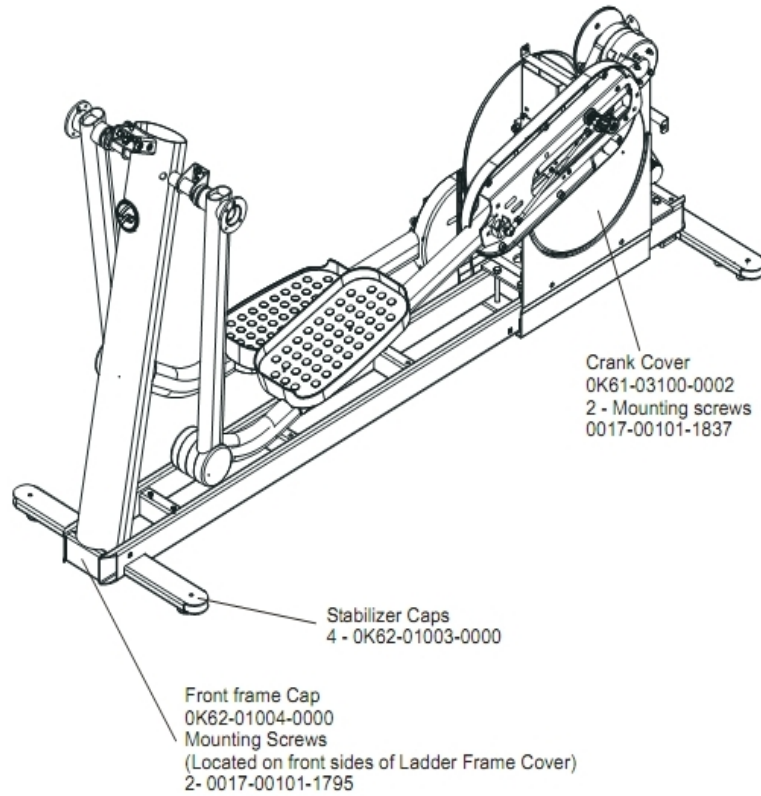
Ref #	Part Number	Qty	Description
-	0K62-01013-0000	2	Rear Outside Deadshaft Cover
-	0K62-01010-0000	1	Right Inside Deadshaft Cover
-	0K62-01007-0001	1	Bullhorn Cover Right
-	AK62-00123-0000	1	Console Support
-	0K62-01008-0001	1	Bullhorn Cover Left
-	0K62-01012-0000	2	Front Outside Deadshaft Cover
-	0K62-01009-0000	1	Front Inside Deadshaft Cover
-	0K62-01023-0001	1	Console Support Shroud
-	0K62-01011-0000	1	Left Inside Deadshaft Cover
-	0K62-01030-0001	1	Console Support Cap

Crank Arm Pulley Assembly



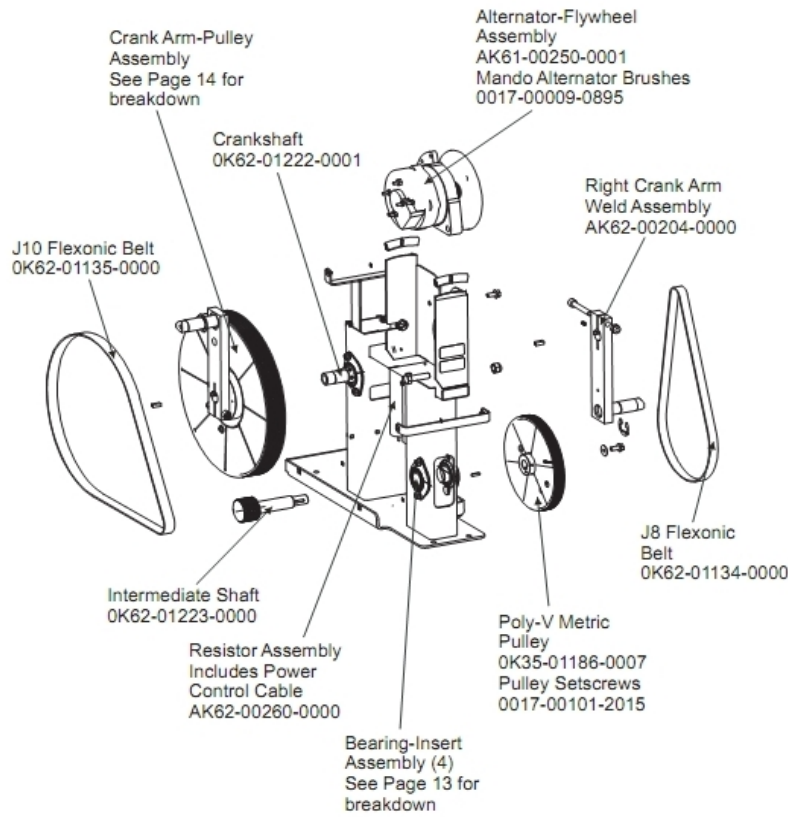
Ref #	Part Number	Qty	Description
-	0017-00104-0144	1	Hardware: Washer 0.625" OD
-	0K61-02302-0001	1	Crankshaft Plate
-	AK62-00205-0000	1	Crankarm
-	0K61-02409-0000	1	Poly-V Crank Pulley
-	0017-00101-1860	1	Hardware: Crankarm Bolt 65MM
-	0017-00101-1835	1	Hardware: Screw 10MM
-	AK62-00186-0000	1	Magnet-Standoff Assembly
-	0017-00100-0107	1	Hardware: E-Ring 1"
-	0017-00103-0334	1	Hardware: Nut 10 MM
-	0017-00101-1834	4	Hardware: Screw 24MM

Crank Cover and Lower Caps



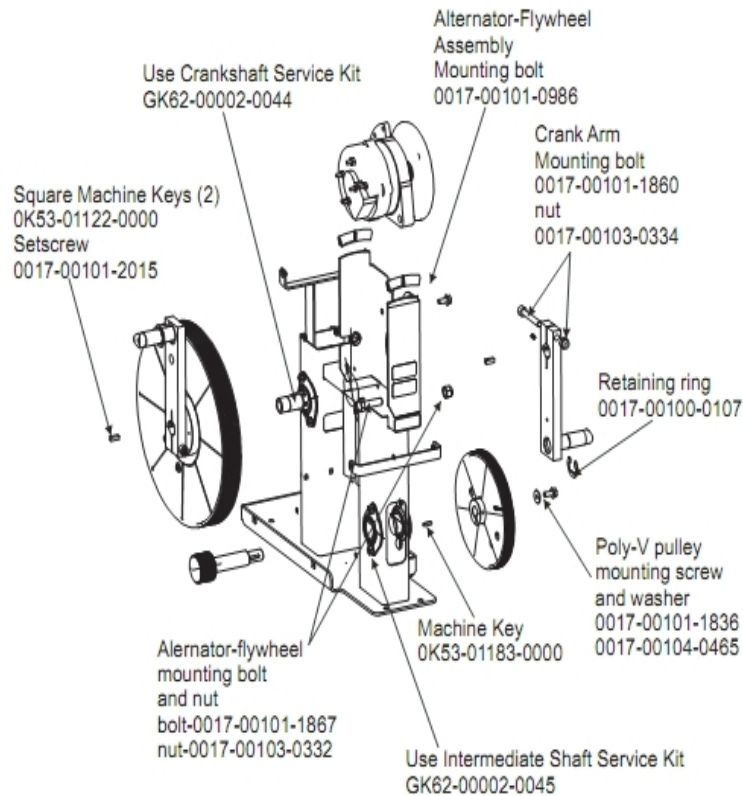
Ref #	Part Number	Qty	Description
-	0K68-01130-0200	1	CAP; STABILIZER; SHADOW GREY
-	0K61-03100-0002	1	Crank Cover
-	0K62-01004-0002	1	Front frame Cap
-	0017-00101-1795	2	Hardware: Mounting Screw
-	0017-00101-1837	2	Hardware: Screw 18MM

Drive Module



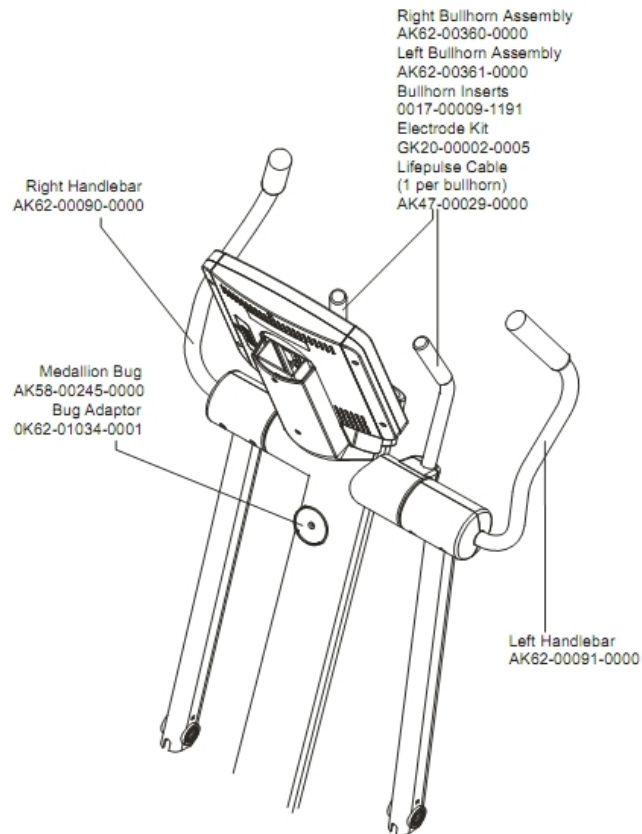
Ref #	Part Number	Qty	Description
-	0K62-01134-0000	1	Flexonic Belt
-	0K62-01135-0000	1	Drive Belt
-	0K62-01222-0001	1	Crankshaft
-	0017-00009-0895	1	Alternator Brush Kit
-	AK62-00204-0000	1	Right Crankarm
-	0K35-01186-0007	1	Poly-V Pulley
-	0K62-01223-0000	1	Intermediate Shaft
-	AK62-00260-0000	1	Resistor Assembly
-	AK61-00250-0001	1	Alternator w/Flywheel
-	0017-00101-2015	1	Hardware: Pulley Set Screw 15 MM

Drive Module Hardware



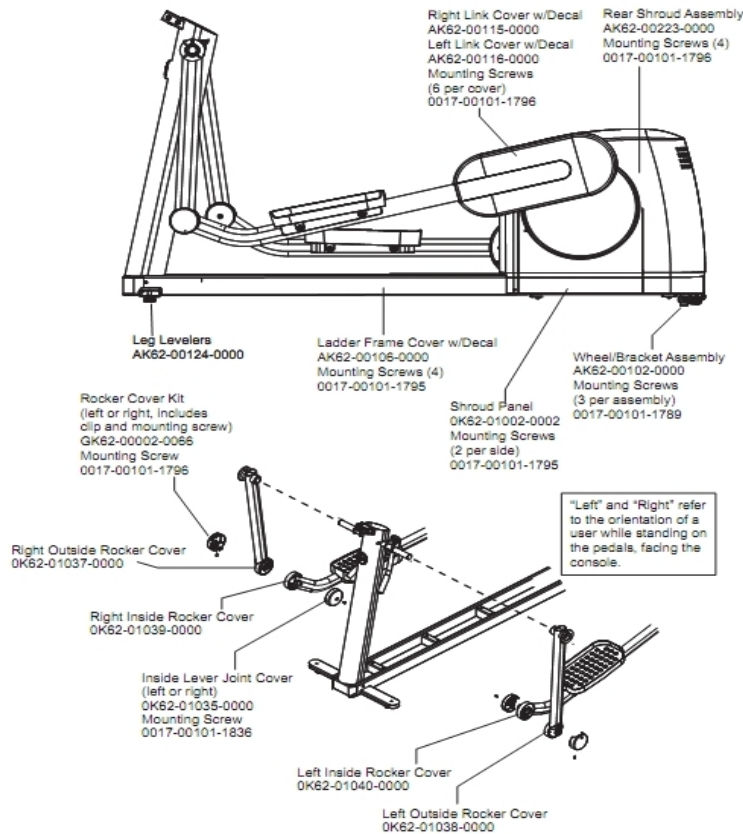
Ref #	Part Number	Qty	Description
-	GK62-00002-0044	1	Crankshaft Bearing Kit
-	0017-00104-0465	1	Hardware: Flat Washer 23MM OD
-	OK53-01122-0000	2	Square Key
-	OK53-01183-0000	1	Hex key
-	0017-00103-0334	1	Hardware: Nut 10 MM
-	0017-00101-2015	1	Hardware: Pulley Set Screw 15 MM
-	0017-00101-0986	1	Hardware: Bolt 0.75"
-	GK62-00002-0045	1	Intermediate Shaft Bearing Kit
-	0017-00101-1867	1	Hardware: Mounting Bolt 45 MM
-	0017-00100-0107	1	Hardware: E-Ring 1"
-	0017-00103-0332	1	Hardware: Mounting Nut
-	0017-00101-1860	1	Hardware: Crankarm Bolt 65MM
-	0017-00101-1836	1	Hardware: Screw 10 MM

Handlebars and Bullhorns



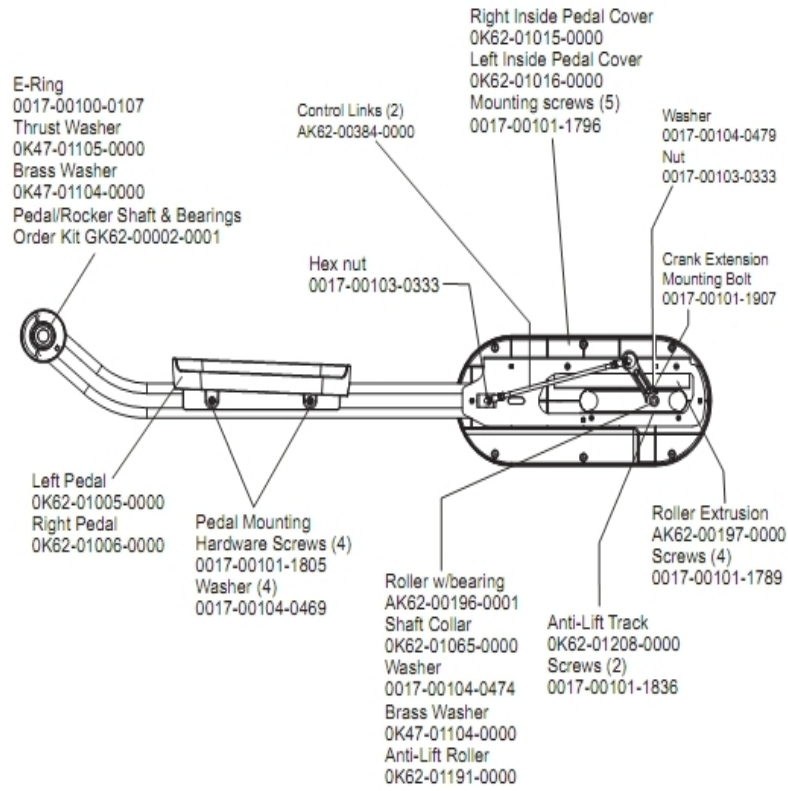
Ref #	Part Number	Qty	Description
-	0K62-01034-0001	1	Bug Adaptor
-	AK62-00091-0000	1	Handlebar: Left
-	AK62-00360-0000	1	Right Bullhorn
-	0017-00009-1191	10	Bullhorn Insert
-	AK58-00245-0000	1	Bug Medallion
-	GK20-00002-0005	2	Heart Rate Electrode Kit
-	AK62-00361-0000	1	Left Bullhorn
-	AK62-00090-0000	1	Handlebar: Right
-	AK47-00029-0000	2	Lifepulse Cable

Lower Frame Shrouds and Hardware



Ref #	Part Number	Qty	Description
-	OK62-01035-0000	1	Inside Lever Joint Cover
-	AK62-00124-0000	2	Leg Leveler
-	OK62-01037-0000	1	
-	GK62-00002-0066	1	Rocker Cover Kit
-	0017-00101-1795	8	Hardware: Mounting Screw
-	0017-00101-1836	1	Hardware: Screw 10 MM
-	AK62-00102-0000	1	Wheel/Bracket Assembly
-	AK62-00115-0000	1	Link Cover with Decal: Right
-	AK62-00116-0000	1	Link Cover with Decal: Left
-	AK62-00223-0000	1	Rear Shroud Assembly
-	OK62-01002-0003	1	Shroud Panel
-	0017-00101-1789	6	Hardware: Mounting Screws
-	OK62-01039-0000	1	Right Inside Lever Joint Cover
-	0017-00101-1796	17	Hardware: Mounting Screw 19 MM
-	OK62-01040-0000	1	Left Inside Lever Joint Cover
-	AK62-00106-0001	1	Ladder Frame Cover with Decal
-	OK62-01038-0000	1	Left Inside Rocker Cover

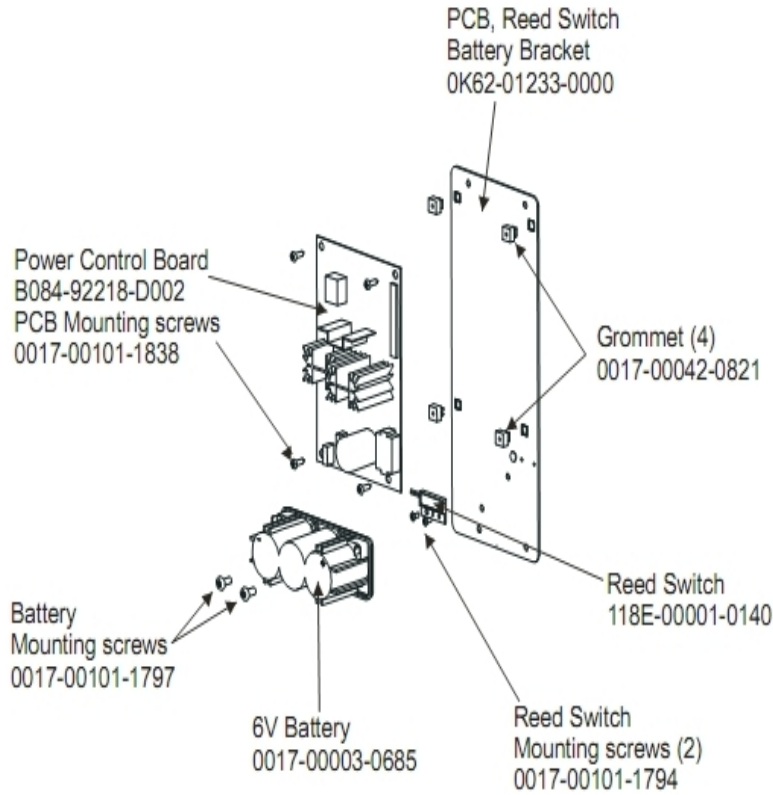
Pedal Lever Assembly Components



Ref #	Part Number	Qty	Description
-	AK62-00196-0001	2	Roller with Bearing
-	AK62-00197-0000	2	Roller Extrusion
-	GK62-00002-0001	2	Pedal/Rocker Shaft and Bearings
-	GK62-00002-0071	6	Control Link Kit
-	0017-00101-1789	8	Hardware: Mounting Screws
-	OK62-01005-0000	1	Left Pedal
-	OK62-01006-0000	1	Right Pedal
-	OK62-01016-0000	1	Inside Pedal Cover Left
-	OK62-01208-0000	2	Anti-Lift Track
-	0017-00101-1796	10	Hardware: Mounting Screw 19 MM
-	0017-00104-0474	2	Hardware: Washer
-	OK47-01105-0000	2	Hardware: Hardened Thrust Washer
-	0017-00100-0107	2	Hardware: E-Ring 1"
-	OK47-01104-0000	4	Hardware: Thrust Washer
-	OK62-01065-0000	2	Shaft Collar
-	OK62-01015-0000	1	Inside Pedal Cover Right
-	0017-00104-0479	2	Hardware: Flat Washer 25.4MM OD
-	0017-00101-1836	4	Hardware: Screw 10 MM
-	0017-00104-0469	8	Hardware: Flat Washer 16MM OD
-	0017-00101-1907	2	Hardware: Crank Extension Mounting Bolt
-	OK62-01191-0000	2	Anti-Lift Roller
-	0017-00103-0333	4	Hardware: Hex Nut

Ref #	Part Number	Qty	Description
-	0017-00101-1805	8	Hardware: TORX Screw 25 MM

PCB, Battery, Reed Switch and Bracket

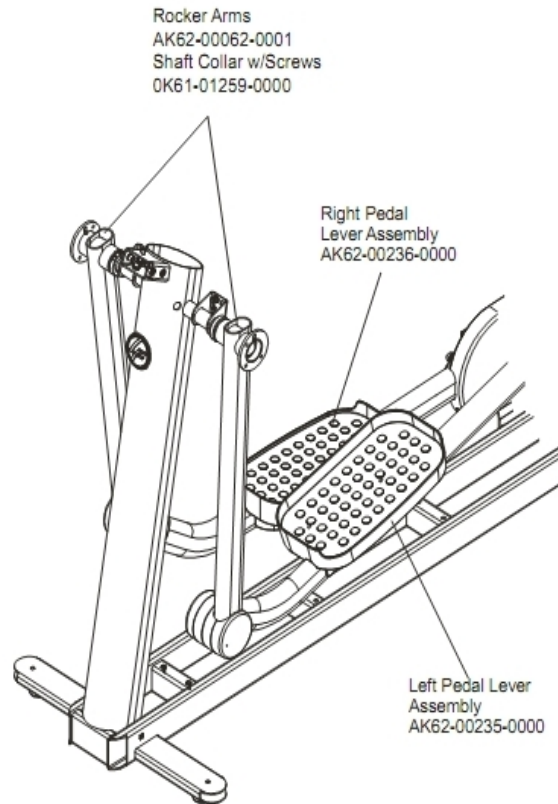


Ref #	Part Number	Qty	Description
-	0017-00101-1794	2	Hardware: Screw 10MM
-	0017-00101-1838	4	Hardware: Mounting Screw 19 MM
-	B084-92218-0000	1	PCB Circuit Board
-	0K62-01221-0000	1	1" Bearing
-	118E-00001-0140	1	Reed Switch SPDT
-	0017-00101-1797	2	Hardware: Mounting Screw 16 MM
-	0017-00042-0821	4	Hardware: Plastic Grommet
-	0017-00003-0685	1	6V Battery
-	0K62-01233-0000	1	PCB Reed Switch Battery Bracket
-	0K62-01220-0000	2	Bearing Flange

References

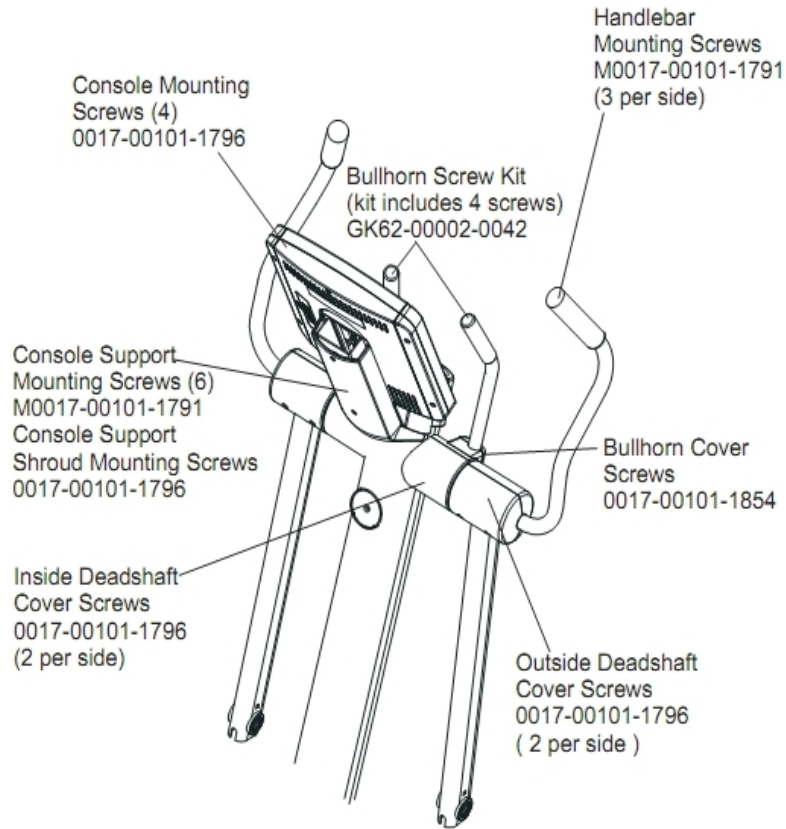
Ref #	Part Number	Qty	Description
-	0017-00021-2846	1	F-Type Panel Connector
-	0017-00008-0205	1	5 oz Bottle - Arctic Silver
-	AK62-00210-0000	1	Power-Cable with Bracket Assembly
-	GK62-00002-0018	1	Plug in Option 120/60
-	0017-00042-0754	1	Hardware: Grommet
-	AK62-00152-0001	1	Hardware Bag
-	GK63-00002-0003	1	C-SAFE Network Kit
-	0017-00008-0204	1	Paint Spray Can - Arctic Silver
-	AK32-00078-0001	1	Power Extension Cable: 120"
-	AK32-00020-0002	1	Coax Cable: 120"
-	0K62-01179-0001	1	Bracket: Access Panel; Plug-in
-	0017-00008-0206	1	.33oz Pen - Arctic Silver

Rocker Arms and Pedal Levers



Ref #	Part Number	Qty	Description
-	GK62-00002-0070	2	Rocker Arm Kit
-	AK62-00236-0000	1	Right Pedal Lever Assembly
-	OK61-01259-0000	2	Shaft Split Collar
-	AK62-00235-0000	1	Left Pedal Lever Assembly

Upper Frame Hardware



Ref #	Part Number	Qty	Description
-	M0017-00101-1791	12	Hardware: Mounting Screw
-	0017-00101-1854	1	Hardware: Bullhorn Cover Screw 44MM
-	0017-00101-1796	31	Hardware: Mounting Screw 19 MM
-	0017-00101-1846	2	Hardware: Phillips Pan Screw 10 MM
-	0K62-01022-0202	1	Accessory Tray
-	0017-00101-1876	1	Hardware: M 8X1.25-6G6GX 22 DIN TRX FLT CS ST BZ B

