

93X Cross-Trainer - Prewired - Heart Rate

93X-0100-04

Parts Manual

1/5/2019 8:55:48 AM



Table of Contents

Bearing Insert Assembly.....	3
Cables.....	4
Console and Related Components.....	5
Console Support and Deadshaft Covers.....	6
Crank Arm Pulley Assembly.....	7
Crank Cover and Lower Caps.....	8
Drive Module.....	9
Drive Module Hardware.....	10
Handlebars and Bullhorns.....	11
Lower Frame Shrouds and Hardware.....	12
Pedal Lever Assembly Components.....	13
PCB, Battery, Reed Switch and Bracket.....	15
References.....	16
Rocker Arms and Pedal Levers.....	17
Upper Frame Hardware.....	18

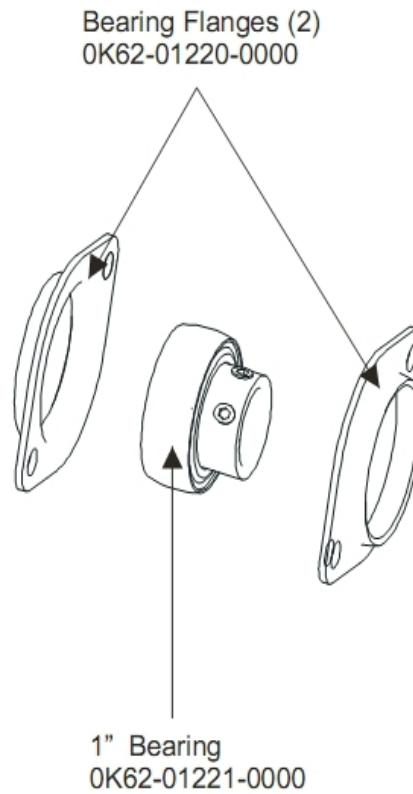
Bearing Insert Assembly

Service Kit-
GK62-00002-0044
Includes:

- 1 - crankshaft
- 2 - bearings
- 2 - sets of bearing flanges
- 4 - weldnuts and flat washers
- 4 - bolts

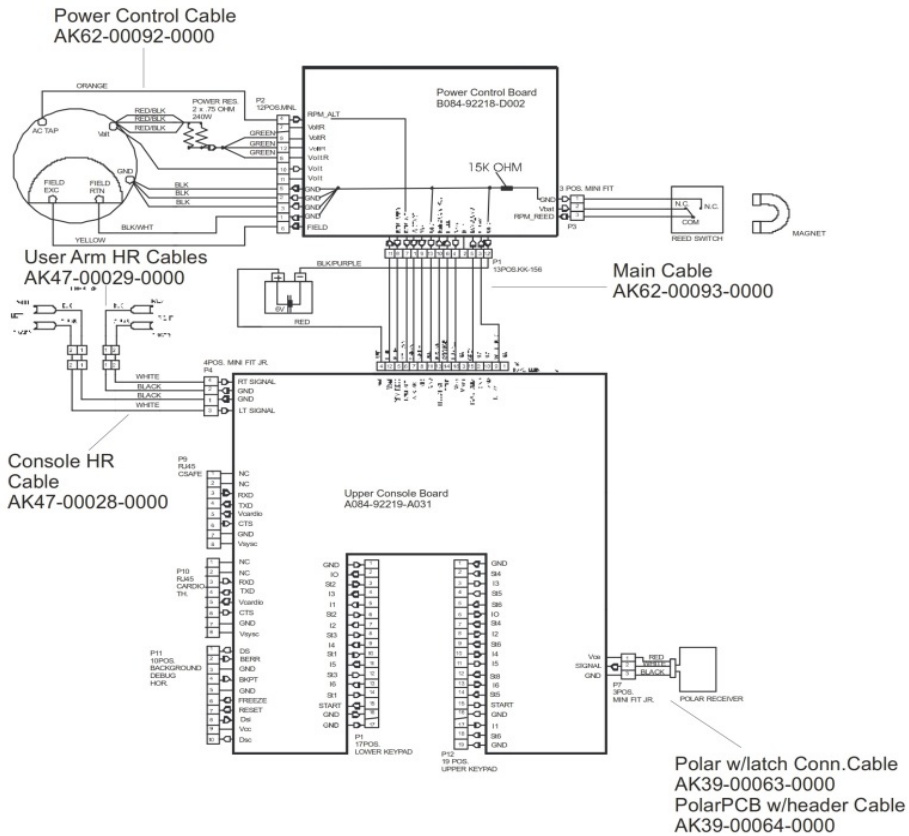
Service Kit- GK62-00002-0045
Includes:

- 1 - intermediate shaft
- 2 - bearings
- 2 - sets of bearing flanges
- 4 - weldnuts and flat washers
- 4 - bolts



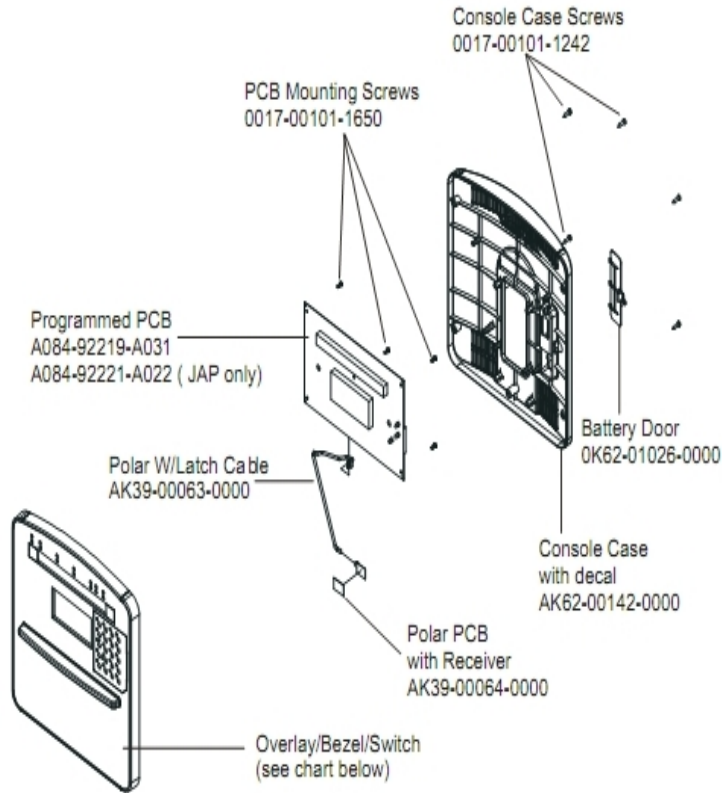
Ref #	Part Number	Qty	Description
-	AK62-00299-0000	1	Bearing Insert Assembly
-	GK62-00002-0045	1	Intermediate Shaft Bearing Kit
-	GK62-00002-0044	1	Crankshaft Bearing Kit

Cables



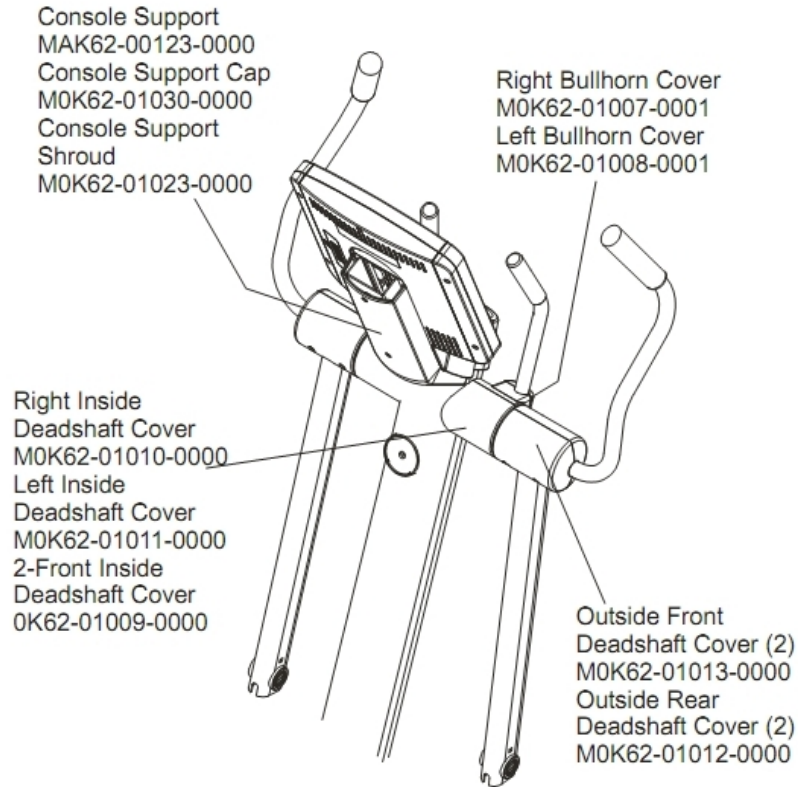
Ref #	Part Number	Qty	Description
-	A084-92219-A031	1	PCB Assembly
-	AK62-00093-0000	1	Main Cable
-	AK47-00029-0000	1	Lifepulse Cable
-	B084-92218-0000	1	PCB Circuit Board
-	AK39-00063-0000	1	Polar Cable
-	AK47-00028-0000	1	Lifepulse Cable
-	AK62-00092-0000	1	Power Control Cable
-	118E-00001-0259	1	Wireless Receiver Module, Non-Coded

Console and Related Components



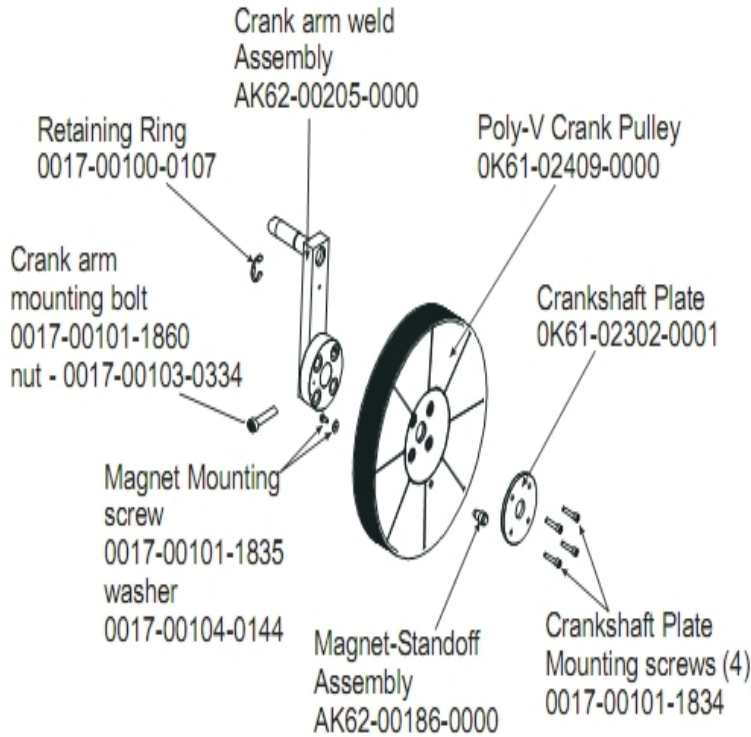
Ref #	Part Number	Qty	Description
-	118E-00001-0259	1	Wireless Receiver Module, Non-Coded
-	AK39-00063-0000	1	Polar Cable
-	AK62-00365-0002	1	Console English/Metric
-	0K62-01026-0000	1	Battery Door
-	A084-92219-A031	1	PCB Assembly
-	AK62-00190-0001	1	Bezel Switch with Overlay: English/Metric
-	AK62-00142-0000	1	Console Case with Decal
-	0017-00101-1242	6	Hardware: Phillips Pan Screw 0.75"
-	0017-00101-1650	5	Hardware: Phillips Pan Screw 0.375"

Console Support and Deadshaft Covers



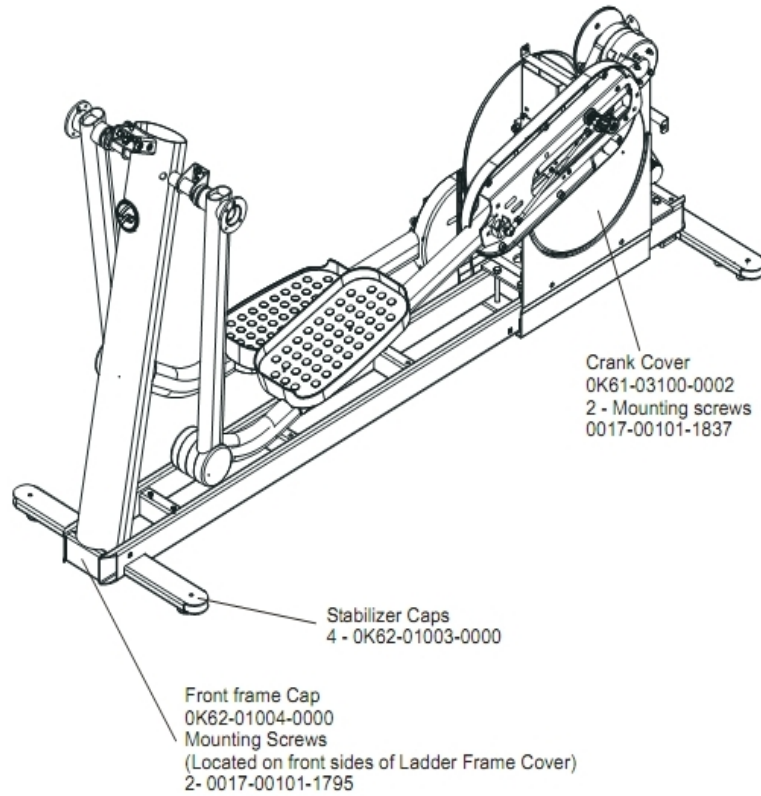
Ref #	Part Number	Qty	Description
-	0K62-01023-0001	1	Console Support Shroud
-	0K62-01007-0001	1	Bullhorn Cover Right
-	0K62-01010-0000	1	Right Inside Deadshaft Cover
-	0K62-01013-0000	2	Rear Outside Deadshaft Cover
-	0K62-01008-0001	1	Bullhorn Cover Left
-	0K62-01012-0000	2	Front Outside Deadshaft Cover
-	0K62-01009-0000	1	Front Inside Deadshaft Cover
-	AK62-00123-0000	1	Console Support
-	0K62-01011-0000	1	Left Inside Deadshaft Cover
-	0K62-01030-0001	1	Console Support Cap

Crank Arm Pulley Assembly



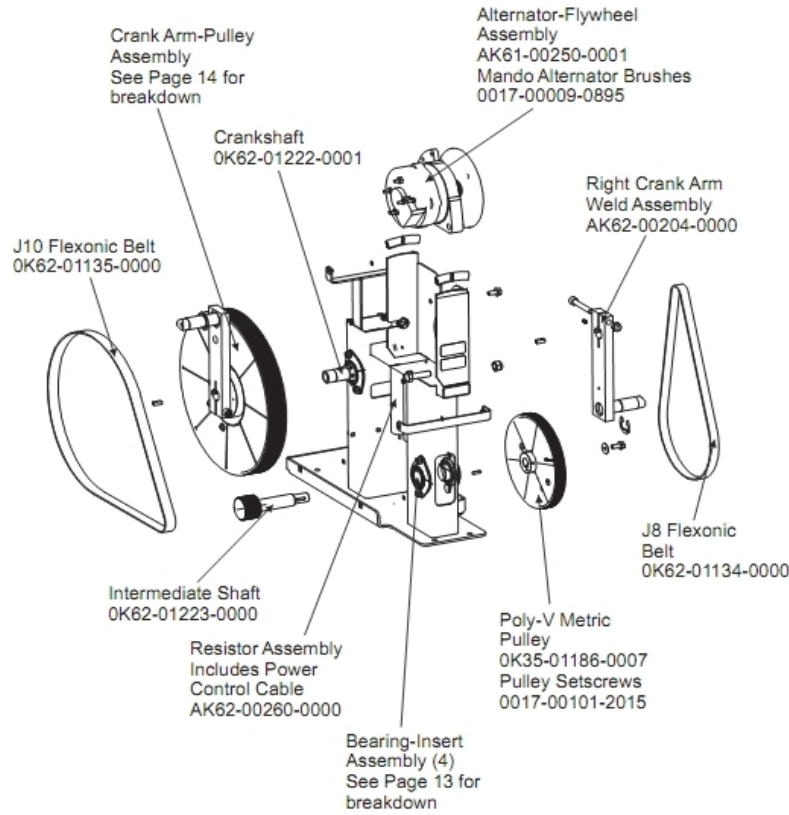
Ref #	Part Number	Qty	Description
-	0017-00100-0107	1	Hardware: E-Ring 1"
-	0K61-02302-0001	1	Crankshaft Plate
-	AK62-00205-0000	1	Crankarm
-	0017-00103-0334	1	Hardware: Nut 10 MM
-	0017-00101-1834	4	Hardware: Screw 24MM
-	0017-00101-1835	1	Hardware: Screw 10MM
-	AK62-00186-0000	1	Magnet-Standoff Assembly
-	0K61-02409-0000	1	Poly-V Crank Pulley
-	0017-00101-1860	1	Hardware: Crankarm Bolt 65MM
-	0017-00104-0144	1	Hardware: Washer 0.625" OD

Crank Cover and Lower Caps



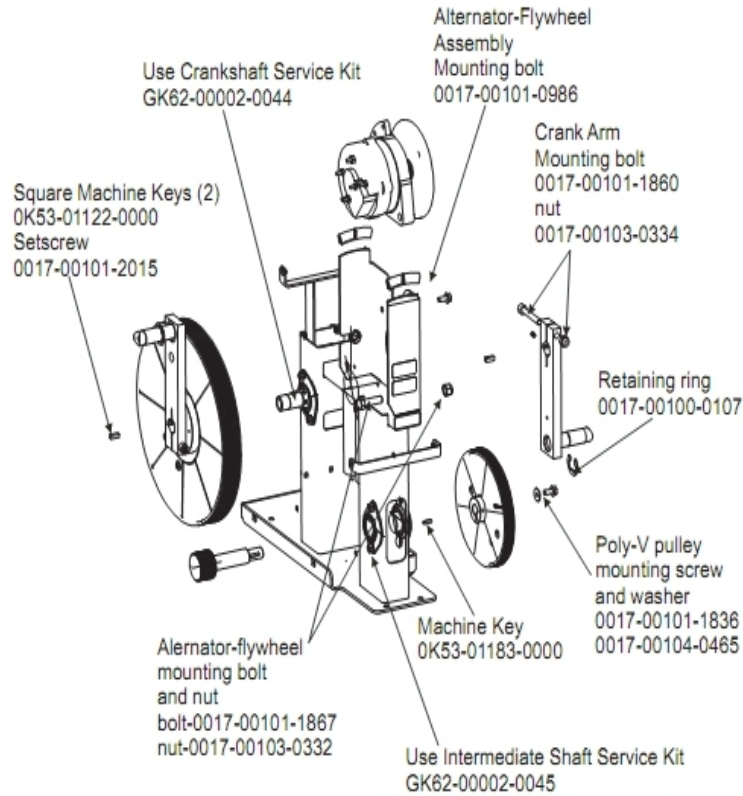
Ref #	Part Number	Qty	Description
-	0017-00101-1837	2	Hardware: Screw 18MM
-	0K62-01004-0002	1	Front frame Cap
-	0017-00101-1795	2	Hardware: Mounting Screw
-	0K68-01130-0200	1	CAP; STABILIZER; SHADOW GREY
-	0K61-03100-0002	1	Crank Cover

Drive Module



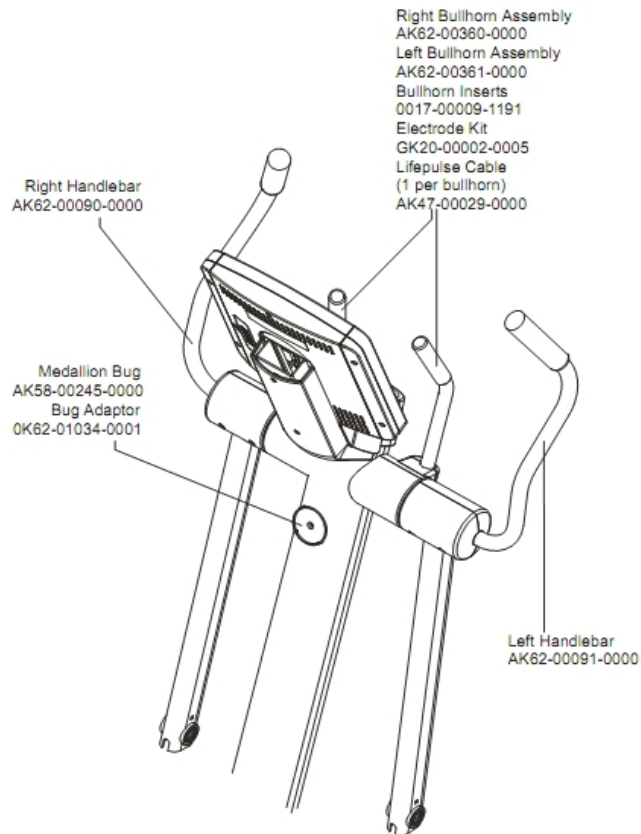
Ref #	Part Number	Qty	Description
-	OK62-01134-0000	1	Flexonic Belt
-	OK62-01135-0000	1	Drive Belt
-	OK62-01222-0001	1	Crankshaft
-	0017-00009-0895	1	Alternator Brush Kit
-	AK62-00204-0000	1	Right Crankarm
-	OK35-01186-0007	1	Poly-V Pulley
-	OK62-01223-0000	1	Intermediate Shaft
-	AK62-00260-0000	1	Resistor Assembly
-	AK61-00250-0001	1	Alternator w/Flywheel
-	0017-00101-2015	1	Hardware: Pulley Set Screw 15 MM

Drive Module Hardware



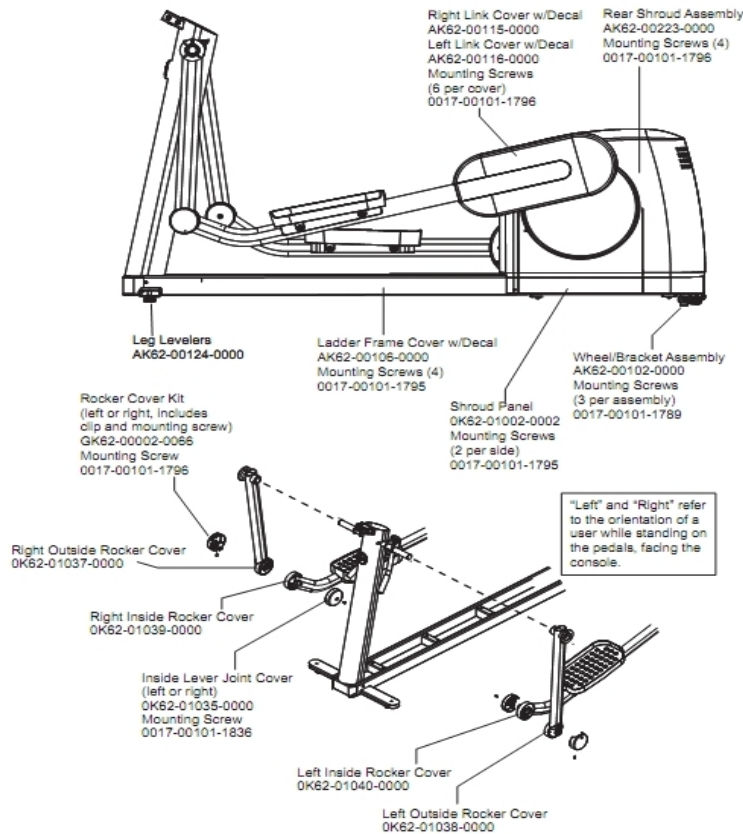
Ref #	Part Number	Qty	Description
-	GK62-00002-0044	1	Crankshaft Bearing Kit
-	0017-00104-0465	1	Hardware: Flat Washer 23MM OD
-	OK53-01122-0000	2	Square Key
-	OK53-01183-0000	1	Hex key
-	0017-00103-0334	1	Hardware: Nut 10 MM
-	0017-00101-2015	1	Hardware: Pulley Set Screw 15 MM
-	0017-00101-0986	1	Hardware: Bolt 0.75"
-	GK62-00002-0045	1	Intermediate Shaft Bearing Kit
-	0017-00101-1867	1	Hardware: Mounting Bolt 45 MM
-	0017-00100-0107	1	Hardware: E-Ring 1"
-	0017-00103-0332	1	Hardware: Mounting Nut
-	0017-00101-1860	1	Hardware: Crankarm Bolt 65MM
-	0017-00101-1836	1	Hardware: Screw 10 MM

Handlebars and Bullhorns



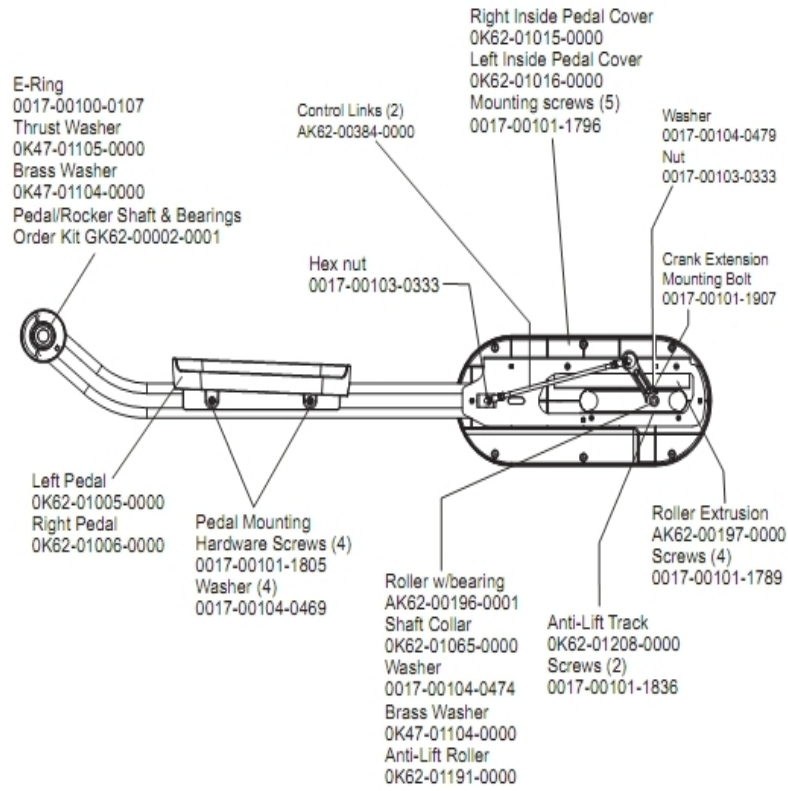
Ref #	Part Number	Qty	Description
-	0K62-01034-0001	1	Bug Adaptor
-	AK62-00091-0000	1	Handlebar: Left
-	AK62-00360-0000	1	Right Bullhorn
-	0017-00009-1191	10	Bullhorn Insert
-	AK47-00029-0000	2	Lifepulse Cable
-	GK20-00002-0005	2	Heart Rate Electrode Kit
-	AK62-00361-0000	1	Left Bullhorn
-	AK62-00090-0000	1	Handlebar: Right
-	AK58-00245-0000	1	Bug Medallion

Lower Frame Shrouds and Hardware



Ref #	Part Number	Qty	Description
-	OK62-01035-0000	1	Inside Lever Joint Cover
-	AK62-00124-0000	2	Leg Leveler
-	OK62-01037-0000	1	
-	GK62-00002-0066	1	Rocker Cover Kit
-	0017-00101-1795	8	Hardware: Mounting Screw
-	0017-00101-1836	1	Hardware: Screw 10 MM
-	AK62-00102-0000	1	Wheel/Bracket Assembly
-	AK62-00115-0000	1	Link Cover with Decal: Right
-	AK62-00116-0000	1	Link Cover with Decal: Left
-	AK62-00223-0000	1	Rear Shroud Assembly
-	OK62-01002-0003	1	Shroud Panel
-	0017-00101-1789	6	Hardware: Mounting Screws
-	OK62-01039-0000	1	Right Inside Lever Joint Cover
-	0017-00101-1796	17	Hardware: Mounting Screw 19 MM
-	OK62-01040-0000	1	Left Inside Lever Joint Cover
-	AK62-00106-0001	1	Ladder Frame Cover with Decal
-	OK62-01038-0000	1	Left Inside Rocker Cover

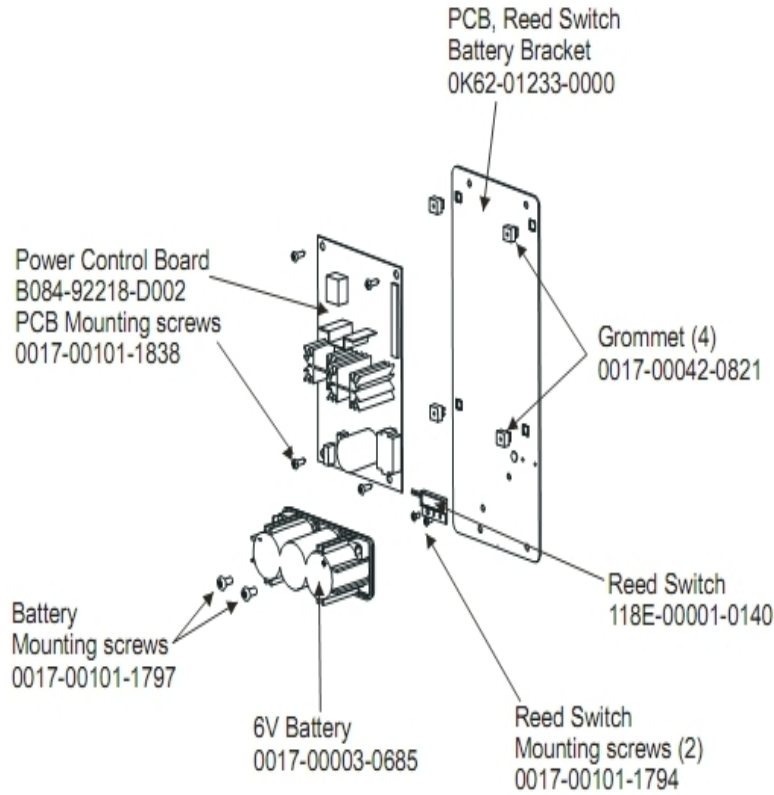
Pedal Lever Assembly Components



Ref #	Part Number	Qty	Description
-	0017-00103-0333	4	Hardware: Hex Nut
-	0017-00101-1805	8	Hardware: TORX Screw 25 MM
-	0017-00101-1907	2	Hardware: Crank Extension Mounting Bolt
-	0017-00104-0469	8	Hardware: Flat Washer 16MM OD
-	0017-00101-1836	4	Hardware: Screw 10 MM
-	0017-00104-0479	2	Hardware: Flat Washer 25.4MM OD
-	OK62-01015-0000	1	Inside Pedal Cover Right
-	OK62-01065-0000	2	Shaft Collar
-	OK47-01104-0000	4	Hardware: Thrust Washer
-	0017-00100-0107	2	Hardware: E-Ring 1"
-	AK62-00196-0001	2	Roller with Bearing
-	AK62-00197-0000	2	Roller Extrusion
-	GK62-00002-0001	2	Pedal/Rocker Shaft and Bearings
-	GK62-00002-0071	6	Control Link Kit
-	0017-00101-1789	8	Hardware: Mounting Screws
-	OK62-01005-0000	1	Left Pedal
-	OK62-01006-0000	1	Right Pedal
-	OK62-01016-0000	1	Inside Pedal Cover Left
-	OK62-01208-0000	2	Anti-Lift Track
-	0017-00101-1796	10	Hardware: Mounting Screw 19 MM
-	0017-00104-0474	2	Hardware: Washer
-	OK47-01105-0000	2	Hardware: Hardened Thrust Washer

Ref #	Part Number	Qty	Description
-	0K62-01191-0000	2	Anti-Lift Roller

PCB, Battery, Reed Switch and Bracket

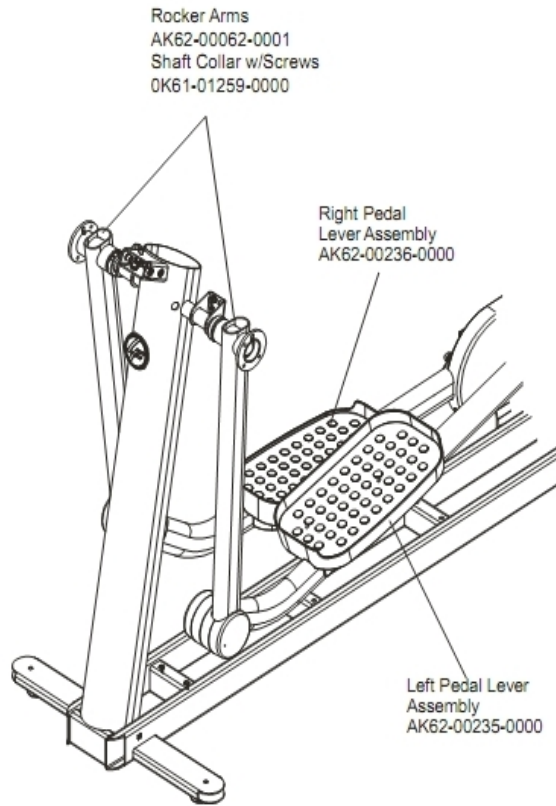


Ref #	Part Number	Qty	Description
-	0K62-01233-0000	1	PCB Reed Switch Battery Bracket
-	0017-00003-0685	1	6V Battery
-	0017-00042-0821	4	Hardware: Plastic Grommet
-	0017-00101-1797	2	Hardware: Mounting Screw 16 MM
-	0K62-01221-0000	1	1" Bearing
-	B084-92218-0000	1	PCB Circuit Board
-	0017-00101-1838	4	Hardware: Mounting Screw 19 MM
-	0017-00101-1794	2	Hardware: Screw 10MM
-	118E-00001-0140	1	Reed Switch SPDT
-	0K62-01220-0000	2	Bearing Flange

References

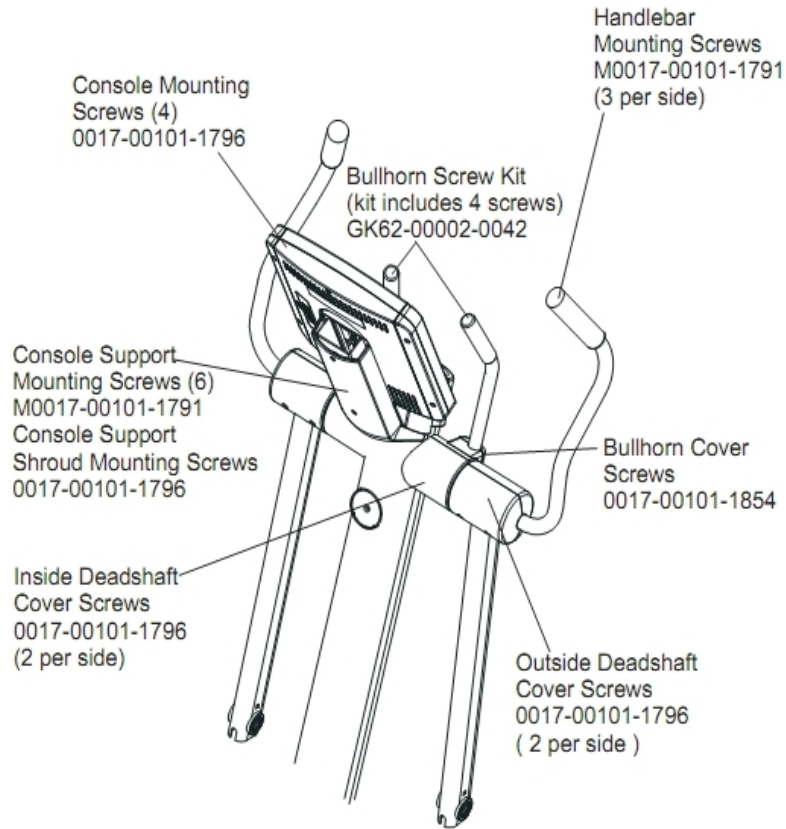
Ref #	Part Number	Qty	Description
-	0017-00021-2846	1	F-Type Panel Connector
-	0017-00008-0205	1	5 oz Bottle - Arctic Silver
-	AK62-00210-0000	1	Power-Cable with Bracket Assembly
-	GK62-00002-0018	1	Plug in Option 120/60
-	0017-00042-0754	1	Hardware: Grommet
-	0017-00008-0206	1	.33oz Pen - Arctic Silver
-	0K62-01179-0001	1	Bracket: Access Panel; Plug-in
-	AK32-00020-0002	1	Coax Cable: 120"
-	AK32-00078-0001	1	Power Extension Cable: 120"
-	0017-00008-0204	1	Paint Spray Can - Arctic Silver
-	GK63-00002-0003	1	C-SAFE Network Kit
-	AK62-00152-0001	1	Hardware Bag

Rocker Arms and Pedal Levers



Ref #	Part Number	Qty	Description
-	AK62-00236-0000	1	Right Pedal Lever Assembly
-	OK61-01259-0000	2	Shaft Split Collar
-	AK62-00235-0000	1	Left Pedal Lever Assembly
-	GK62-00002-0070	2	Rocker Arm Kit

Upper Frame Hardware



Ref #	Part Number	Qty	Description
-	0017-00101-1854	1	Hardware: Bullhorn Cover Screw 44MM
-	0017-00101-1876	1	Hardware: M 8X1.25-6G6GX 22 DIN TRX FLT CS ST BZ B
-	0017-00101-1846	2	Hardware: Phillips Pan Screw 10 MM
-	0017-00101-1796	13	Hardware: Mounting Screw 19 MM
-	M0017-00101-1791	12	Hardware: Mounting Screw
-	0K62-01022-0202	1	Accessory Tray

