

93X Cross-Trainer

93X-0103-01

Parts Manual

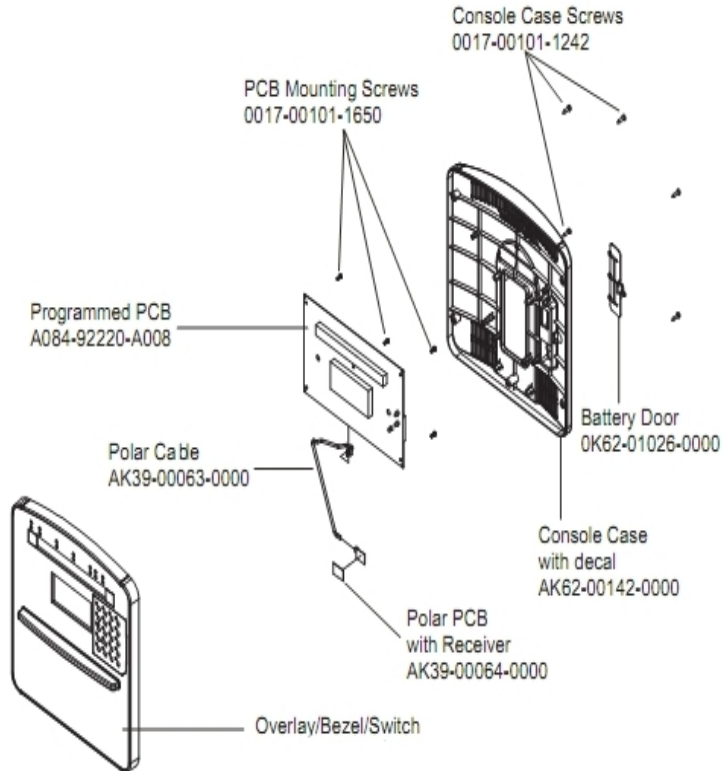
1/5/2019 8:55:48 AM



Table of Contents

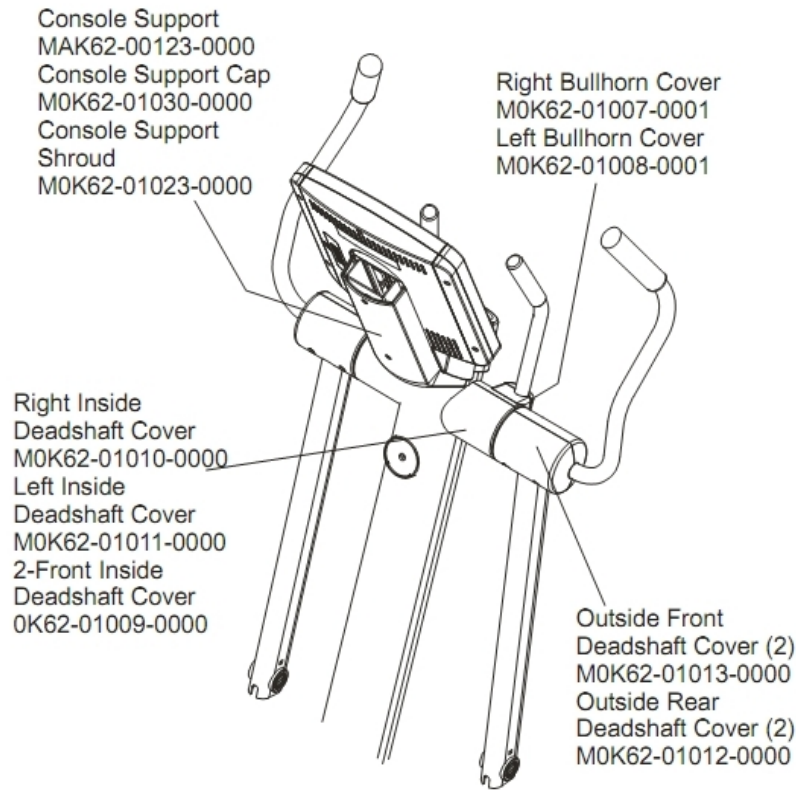
Cables.....	3
Console and Related Components.....	4
Console Support and Deadshaft Covers.....	5
Crank Cover and Lower Caps.....	6
Drive Module Components and Cable.....	7
Drive Module Hardware.....	8
Handlebars and Bullhorns.....	10
Lower Frame Shrouds and Hardware.....	11
Pedal Lever Assembly Components.....	12
References.....	14
Rocker Arms and Pedal Levers.....	15
Upper Frame Hardware.....	16

Console and Related Components



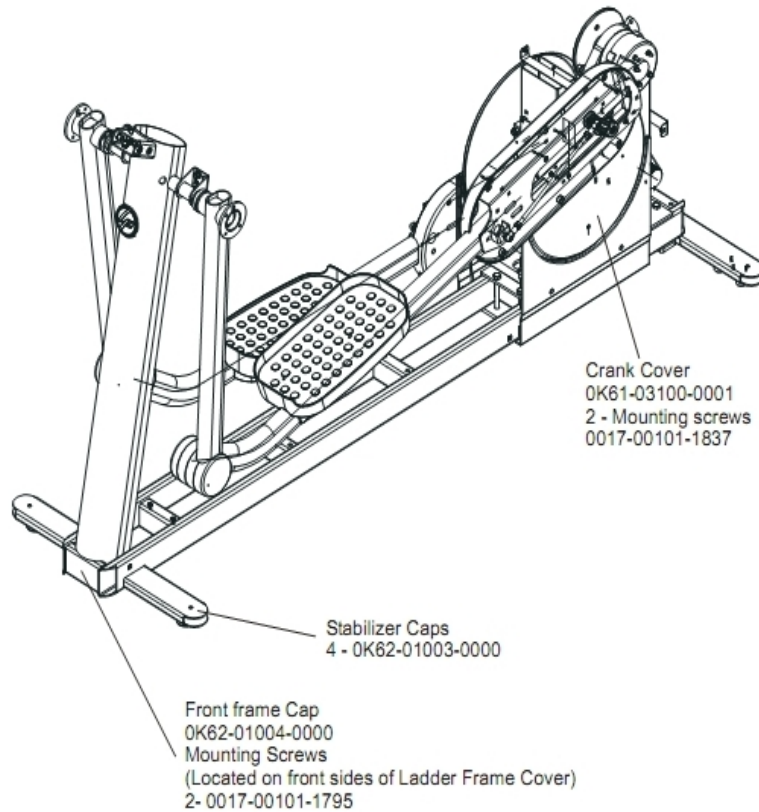
Ref #	Part Number	Qty	Description
-	0017-00101-1650	5	Hardware: Phillips Pan Screw 0.375"
-	0017-00101-1242	6	Hardware: Phillips Pan Screw 0.75"
-	AK62-00142-0000	1	Console Case with Decal
-	A084-92220-A008	1	Console PCB
-	0K62-01026-0000	1	Battery Door
-	AK39-00063-0000	1	Polar Cable
-	118E-00001-0259	1	Wireless Receiver Module, Non-Coded
-	AK62-00190-0001	1	Bezel Switch with Overlay: English/Metric
-	AK62-00150-0001	1	Console: English/Metric

Console Support and Deadshaft Covers



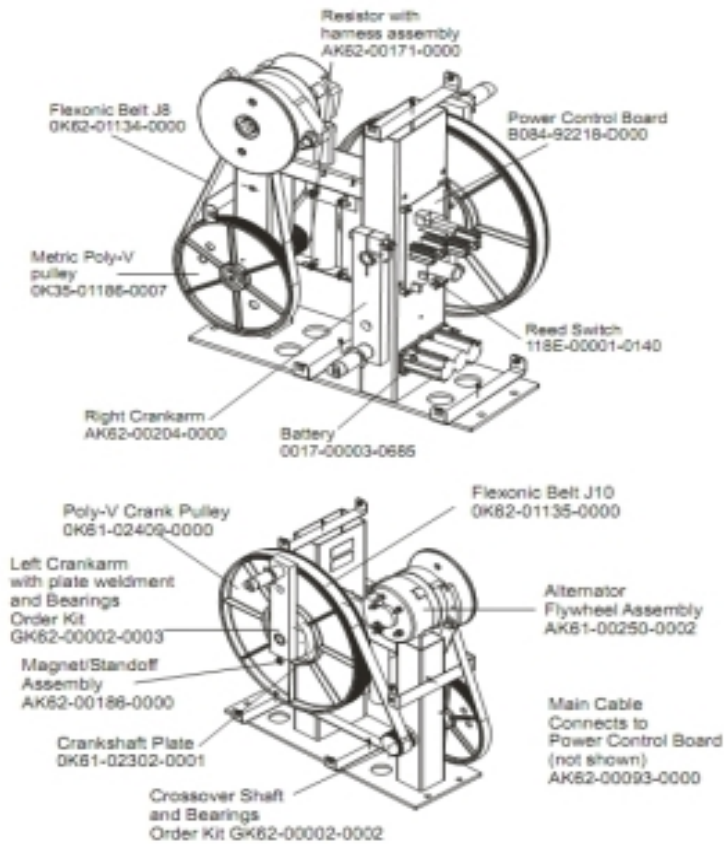
Ref #	Part Number	Qty	Description
-	0K62-01023-0001	1	Console Support Shroud
-	0K62-01010-0000	1	Right Inside Deadshaft Cover
-	0K62-01008-0001	1	Bullhorn Cover Left
-	0K62-01007-0001	1	Bullhorn Cover Right
-	0K62-01013-0000	2	Rear Outside Deadshaft Cover
-	0K62-01030-0001	1	Console Support Cap
-	0K62-01011-0000	1	Left Inside Deadshaft Cover
-	AK62-00123-0000	1	Console Support
-	0K62-01012-0000	2	Front Outside Deadshaft Cover
-	0K62-01009-0000	2	Front Inside Deadshaft Cover

Crank Cover and Lower Caps



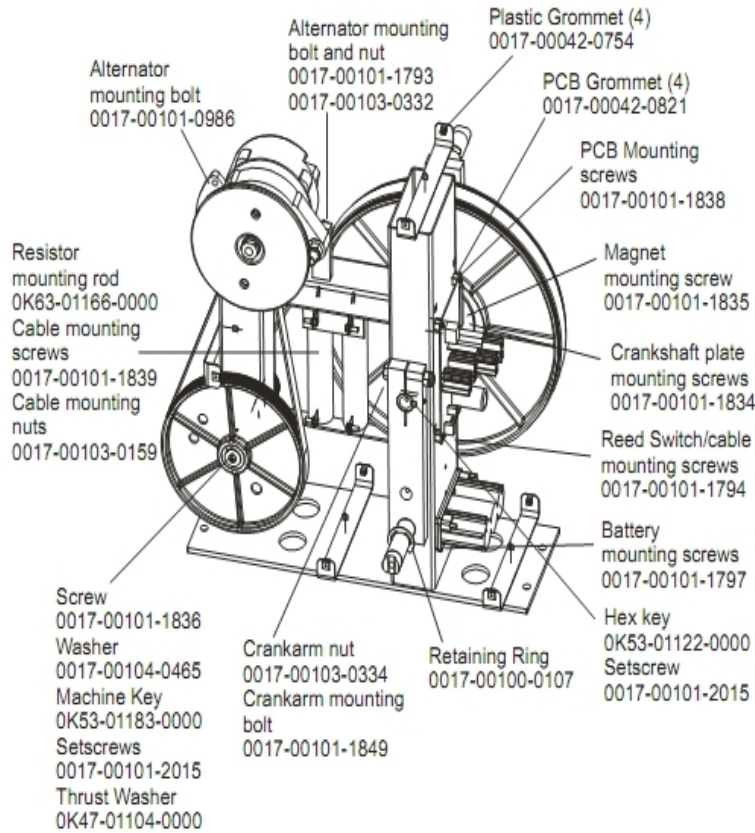
Ref #	Part Number	Qty	Description
-	0017-00101-1795	2	Hardware: Mounting Screw
-	0K68-01130-0200	4	CAP; STABILIZER; SHADOW GREY
-	0K61-03100-0001	1	Crank Cover
-	0017-00101-1837	2	Hardware: Screw 18MM
-	0K62-01004-0002	1	Front frame Cap

Drive Module Components and Cable



Ref #	Part Number	Qty	Description
-	0K35-01186-0007	1	Poly-V Pulley
-	AK62-00204-0000	1	Right Crankarm
-	0K61-02409-0000	1	Poly-V Crank Pulley
-	118E-00001-0140	1	Reed Switch SPDT
-	AK62-00186-0000	1	Magnet-Standoff Assembly
-	B084-92218-0000	1	PCB Circuit Board
-	0K62-01135-0000	1	Drive Belt
-	AK62-00171-0000	1	Resistor with Harness Assembly
-	0017-00003-0685	1	6V Battery
-	0K62-01134-0000	1	Flexionic Belt
-	GK62-00002-0003	1	Left Crankarm Assembly
-	GK62-00002-0002	1	Crossover Shaft and Bearing Assembly
-	AK62-00093-0000	1	Main Cable
-	0K61-02302-0001	1	Crankshaft Plate
-	AK61-00250-0002	1	Alternator Flywheel Assembly

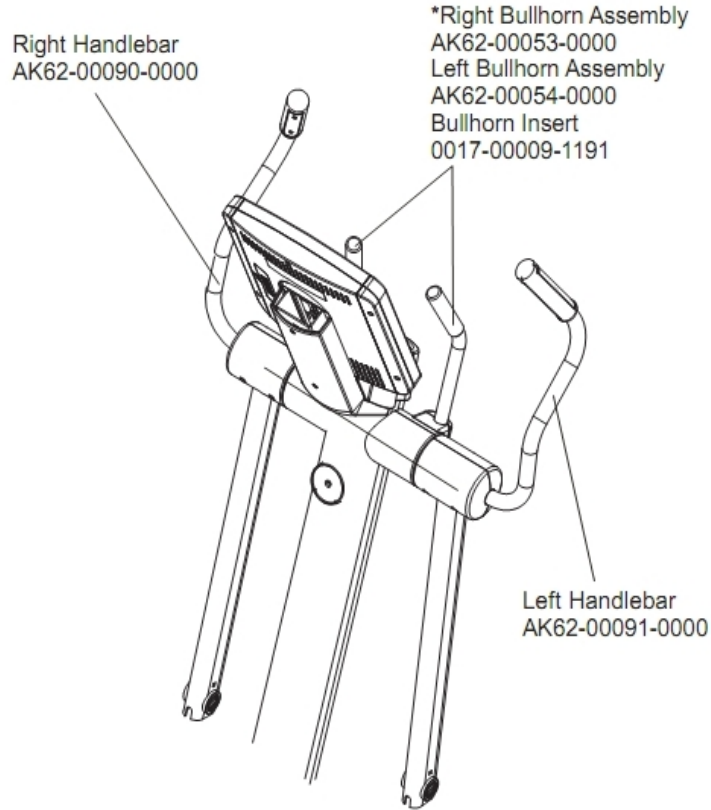
Drive Module Hardware



Ref #	Part Number	Qty	Description
-	0017-00101-0986	1	Hardware: Bolt 0.75"
-	0017-00103-0332	1	Hardware: Mounting Nut
-	0017-00003-0685	1	6V Battery
-	0017-00042-0821	4	Hardware: Plastic Grommet
-	0017-00101-1797	2	Hardware: Mounting Screw 16 MM
-	0017-00101-1836	1	Hardware: Screw 10 MM
-	0017-00101-2015	2	Hardware: Pulley Set Screw 15 MM
-	0017-00103-0334	1	Hardware: Nut 10 MM
-	0017-00101-1849	1	Hardware: Crank arm mounting bolt
-	0K53-01183-0000	1	Hex key
-	0K47-01104-0000	1	Hardware: Thrust Washer
-	0017-00100-0107	1	Hardware: E-Ring 1"
-	0017-00101-1839	1	Hardware: Cable Mounting Screw
-	0017-00103-0159	1	Hardware: Mounting Nut
-	0017-00042-0754	4	Hardware: Grommet
-	0017-00101-1793	1	Hardware: Alternator Mounting Bolt
-	0017-00101-1838	4	Hardware: Mounting Screw 19 MM
-	0K53-01122-0000	1	Square Key
-	0K63-01166-0000	1	Resistor Mounting Rod
-	0017-00101-1794	1	Hardware: Screw 10MM
-	0017-00101-1835	1	Hardware: Screw 10MM
-	0017-00104-0465	1	Hardware: Flat Washer 23MM OD

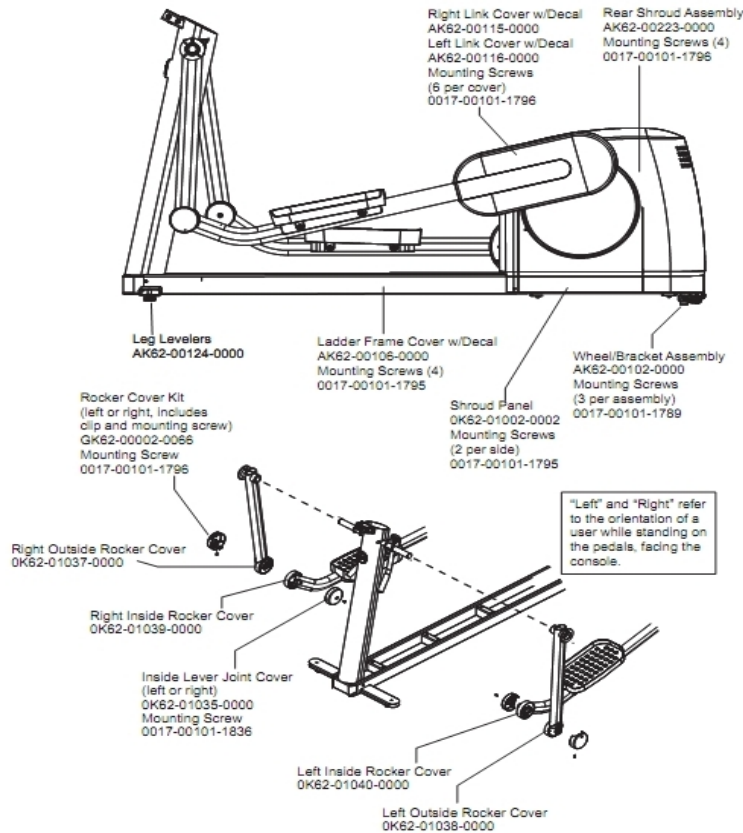
Ref #	Part Number	Qty	Description
-	0017-00101-1834	1	Hardware: Screw 24MM
-	AK62-00106-0001	1	Ladder Frame Cover with Decal

Handlebars and Bullhorns



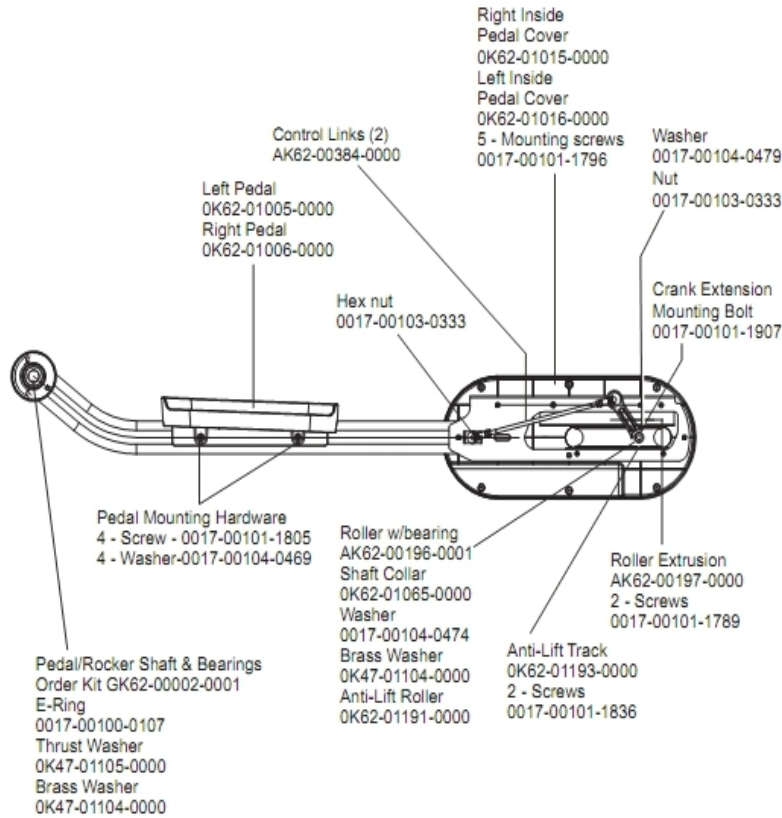
Ref #	Part Number	Qty	Description
-	AK62-00058-0001	1	Left Bullhorn
-	0K62-01199-0000	2	Bullhorn Gasket
-	AK62-00053-0001	1	Right Bullhorn
-	AK62-00090-0000	1	Handlebar: Right
-	AK62-00054-0001	1	Left Bullhorn
-	0017-00009-1191	10	Bullhorn Insert
-	AK62-00057-0001	1	Right Bullhorn
-	0K62-01136-0000	2	Grip
-	AK62-00091-0000	1	Handlebar: Left

Lower Frame Shrouds and Hardware



Ref #	Part Number	Qty	Description
-	AK62-00115-0000	1	Link Cover with Decal: Right
-	AK62-00102-0000	1	Wheel/Bracket Assembly
-	0017-00101-1836	1	Hardware: Screw 10 MM
-	0017-00101-1795	8	Hardware: Mounting Screw
-	GK62-00002-0066	1	Rocker Cover Kit
-	OK62-01037-0000	1	
-	OK62-01038-0000	1	Left Inside Rocker Cover
-	OK62-01035-0000	1	Inside Lever Joint Cover
-	AK62-00124-0000	2	Leg Leveler
-	AK62-00106-0001	1	Ladder Frame Cover with Decal
-	OK62-01040-0000	1	Left Inside Lever Joint Cover
-	0017-00101-1796	17	Hardware: Mounting Screw 19 MM
-	OK62-01039-0000	1	Right Inside Lever Joint Cover
-	0017-00101-1789	3	Hardware: Mounting Screws
-	OK62-01002-0003	1	Shroud Panel
-	AK62-00223-0000	1	Rear Shroud Assembly
-	AK62-00116-0000	1	Link Cover with Decal: Left

Pedal Lever Assembly Components



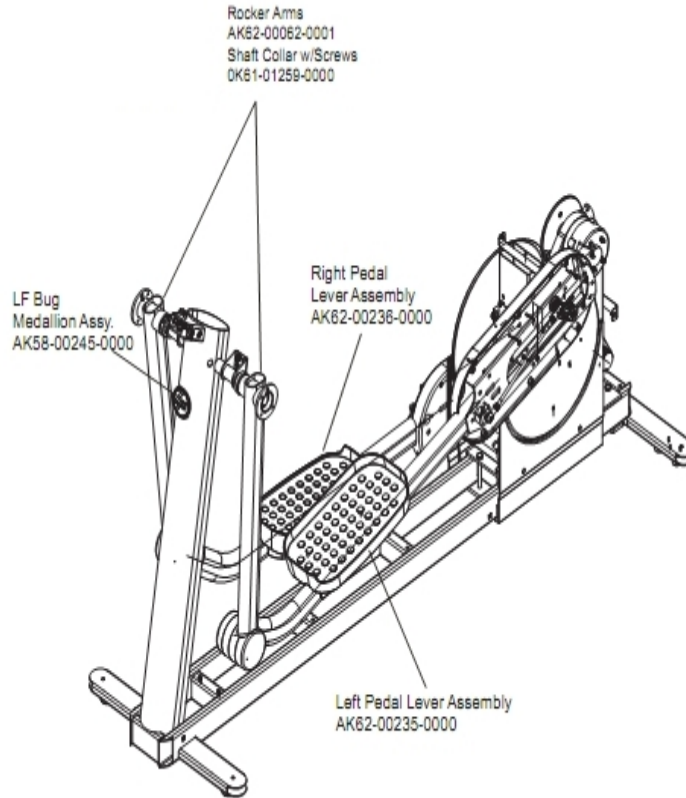
Ref #	Part Number	Qty	Description
-	0017-00104-0469	8	Hardware: Flat Washer 16MM OD
-	0017-00104-0479	2	Hardware: Flat Washer 25.4MM OD
-	OK62-01015-0000	1	Inside Pedal Cover Right
-	OK62-01065-0000	2	Shaft Collar
-	OK47-01104-0000	4	Hardware: Thrust Washer
-	0017-00100-0107	2	Hardware: E-Ring 1"
-	OK47-01105-0000	2	Hardware: Hardened Thrust Washer
-	OK62-01208-0000	2	Anti-Lift Track
-	OK62-01016-0000	1	Inside Pedal Cover Left
-	OK62-01006-0000	1	Right Pedal
-	OK62-01005-0000	1	Left Pedal
-	0017-00101-1789	4	Hardware: Mounting Screws
-	0017-00104-0474	2	Hardware: Washer
-	0017-00101-1796	10	Hardware: Mounting Screw 19 MM
-	0017-00101-1836	4	Hardware: Screw 10 MM
-	0017-00101-1907	2	Hardware: Crank Extension Mounting Bolt
-	0017-00101-1805	8	Hardware: TORX Screw 25 MM
-	OK62-01191-0000	2	Anti-Lift Roller
-	AK62-00196-0001	2	Roller with Bearing
-	AK62-00197-0000	2	Roller Extrusion
-	GK62-00002-0001	2	Pedal/Rocker Shaft and Bearings
-	GK62-00002-0071	6	Control Link Kit

Ref #	Part Number	Qty	Description
-	0017-00103-0333	4	Hardware: Hex Nut

References

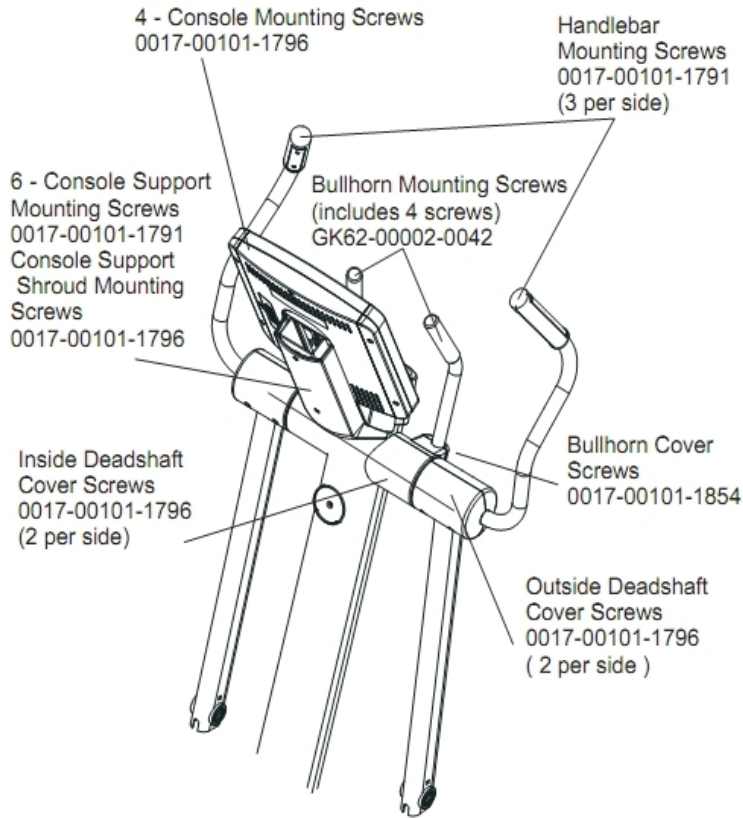
Ref #	Part Number	Qty	Description
-	AK62-00152-0001	1	Hardware Bag
-	GK62-00002-0021	1	Plug in Option 230/50
-	GK63-00002-0003	1	C-SAFE Network Kit

Rocker Arms and Pedal Levers



Ref #	Part Number	Qty	Description
-	GK62-00002-0070	4	Rocker Arm Kit
-	OK61-01259-0000	2	Shaft Split Collar
-	AK62-00236-0000	1	Right Pedal Lever Assembly
-	AK58-00245-0000	1	Bug Medallion
-	AK62-00235-0000	1	Left Pedal Lever Assembly

Upper Frame Hardware



Ref #	Part Number	Qty	Description
-	0017-00101-1876	4	Hardware: M 8X1.25-6G6GX 22 DIN TRX FLT CS ST BZ B
-	0017-00101-1846	2	Hardware: Phillips Pan Screw 10 MM
-	0017-00101-1791	12	Hardware: TORX Screw 19 MM
-	0017-00101-1796	13	Hardware: Mounting Screw 19 MM
-	0K62-01022-0202	1	Accessory Tray
-	0017-00101-1854	1	Hardware: Bullhorn Cover Screw 44MM

