

93X Cross-Trainer

93XW-0000-03

Parts Manual

1/5/2019 9:07:19 AM



Table of Contents

Bearing Insert Assembly	3
Cables	4
Console And Related Components	5
Console Support And Deadshaft Covers	6
Crank Arm Pulley Assembly	7
Crank Cover And Lower Caps	8
Drive Module	9
Drive Module Hardware	10
Handlebars And Bullhorns	11
Lower Frame Shrouds And Hardware	12
Pedal Lever Assembly Components	13
PCB, Battery, Reed Switch And Bracket	15
References	16
Rocker Arms And Pedal Levers	17
Upper Frame Hardware	18

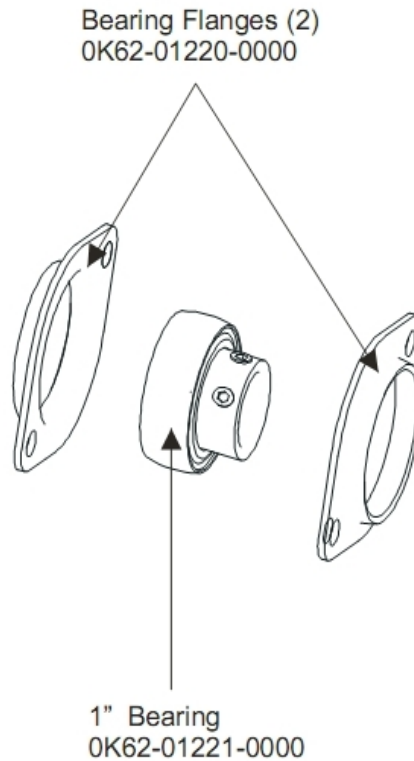
Bearing Insert Assembly

Service Kit-
MGK62-00002-0044
Includes:

- 1 - crankshaft
- 2 - bearings
- 2 - sets of bearing flanges
- 4 - weldnuts and flat washers
- 4 - bolts

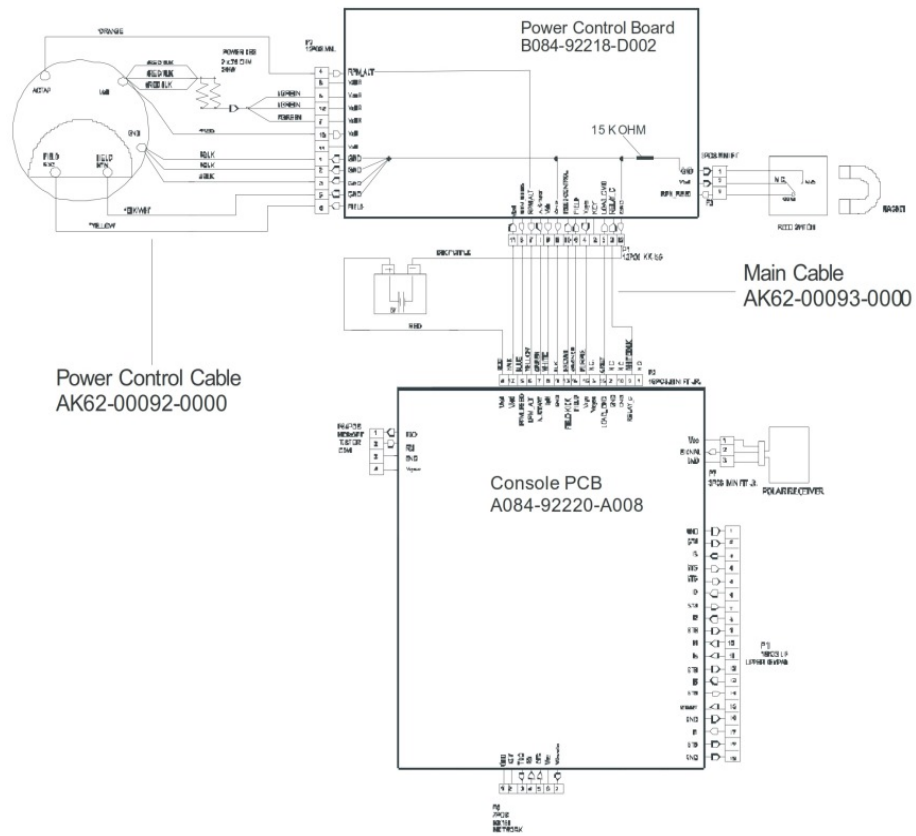
Service Kit- GK62-00002-0045
Includes:

- 1 - intermediate shaft
- 2 - bearings
- 2 - sets of bearing flanges
- 4 - weldnuts and flat washers
- 4 - bolts



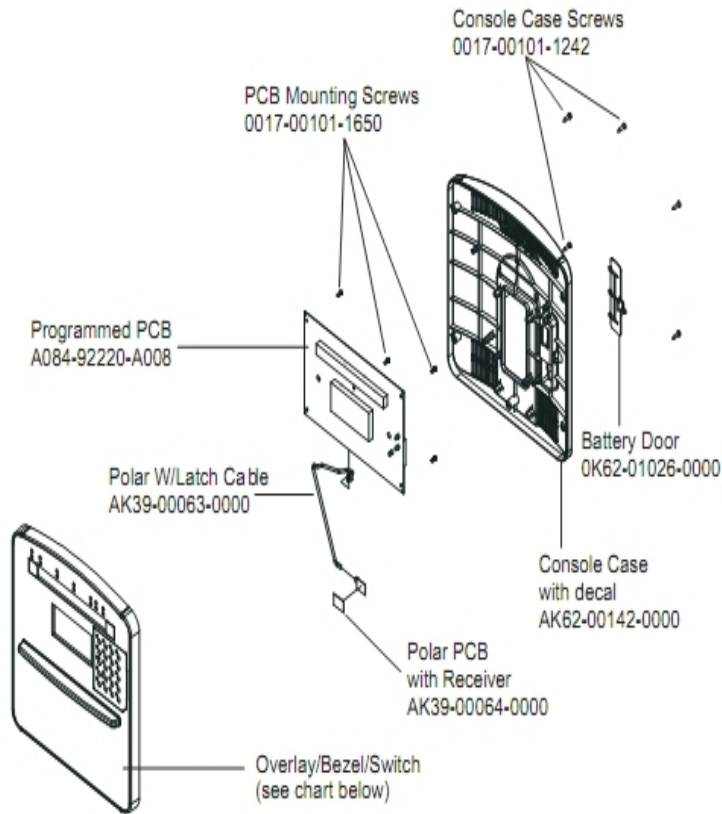
Ref #	Part Number	Qty	Description
-	AK62-00299-0000	1	Bearing Insert Assembly
-	GK62-00002-0044	1	Crankshaft Bearing Kit
-	OK62-01221-0000	1	1" Bearing
-	GK62-00002-0045	1	Intermediate Shaft Bearing Kit
-	OK62-01220-0000	2	Bearing Flange

Cables



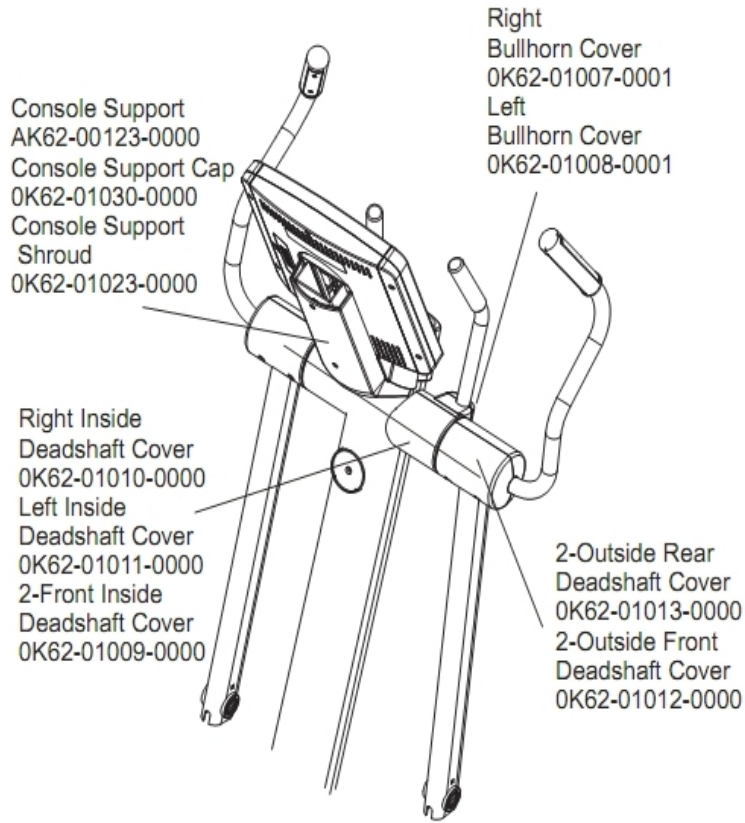
Ref #	Part Number	Qty	Description
-	AK62-00092-0000	1	Power Control Cable
-	AK62-00093-0000	1	Main Cable
-	B084-92218-0000	1	PCB Circuit Board
-	A084-92220-A008	1	Console PCB

Console And Related Components



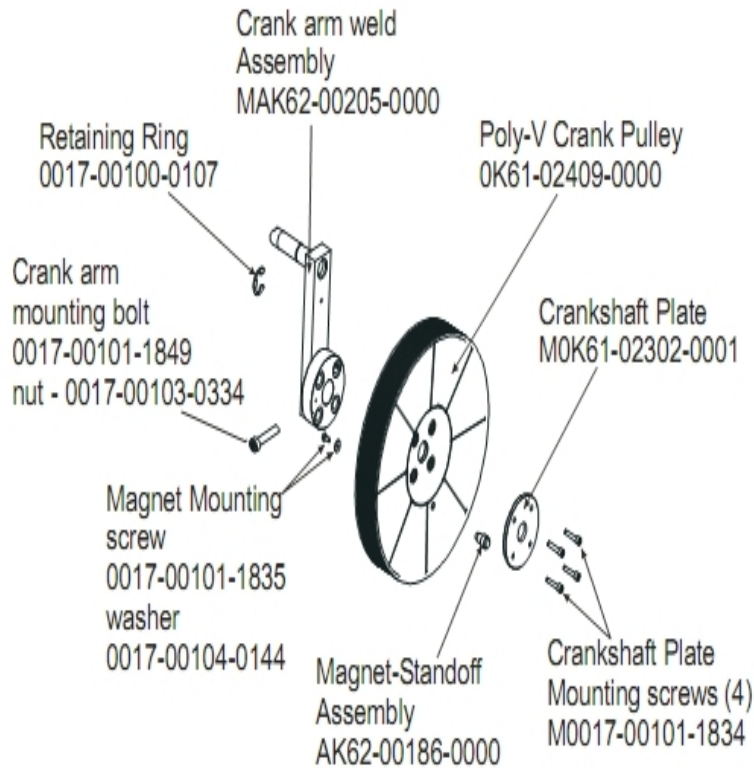
Ref #	Part Number	Qty	Description
-	0017-00101-1242	1	Hardware: Phillips Pan Screw 0.75"
-	AK62-00142-0000	1	Console Case with Decal
-	AK62-00190-0001	1	Bezel Switch with Overlay: English/Metric
-	AK39-00063-0000	1	Polar Cable
-	118E-00001-0259	1	Wireless Receiver Module, Non-Coded
-	0017-00101-1650	1	Hardware: Phillips Pan Screw 0.375"
-	AK62-00327-0001	1	Console - English LED
-	0K62-01026-0000	1	Battery Door
-	A084-92220-A008	1	Console PCB

Console Support And Deadshaft Covers



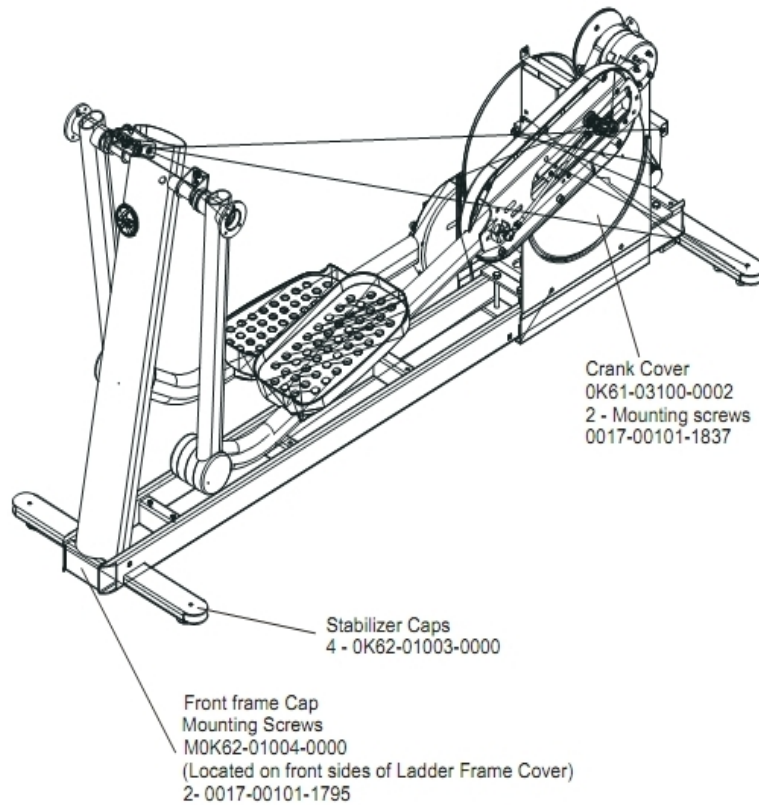
Ref #	Part Number	Qty	Description
-	OK62-01008-0001	1	Bullhorn Cover Left
-	OK62-01007-0001	1	Bullhorn Cover Right
-	OK62-01012-0000	2	Front Outside Deadshaft Cover
-	OK62-01009-0000	2	Front Inside Deadshaft Cover
-	OK62-01010-0000	1	Right Inside Deadshaft Cover
-	OK62-01011-0000	1	Left Inside Deadshaft Cover
-	AK62-00123-0000	1	Console Support
-	OK62-01030-0001	1	Console Support Cap
-	OK62-01013-0000	2	Rear Outside Deadshaft Cover
-	OK62-01023-0001	1	Console Support Shroud

Crank Arm Pulley Assembly



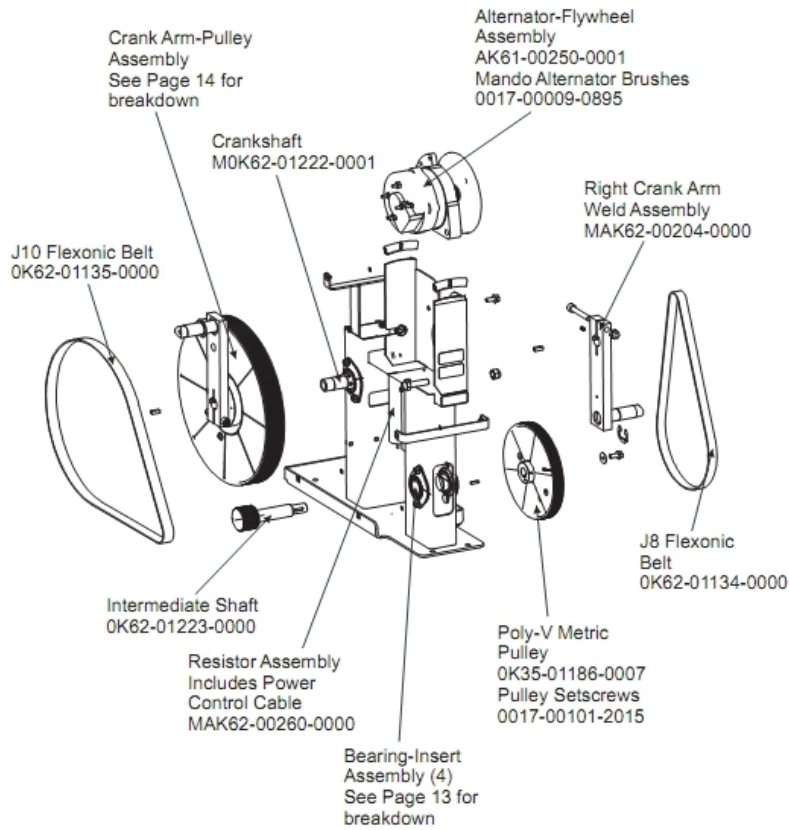
Ref #	Part Number	Qty	Description
-	0K61-02409-0000	1	Poly-V Crank Pulley
-	0K61-02302-0001	1	Crankshaft Plate
-	AK62-00205-0000	1	Crankarm
-	0017-00100-0107	1	Hardware: E-Ring 1"
-	0017-00103-0334	1	Hardware: Nut 10 MM
-	0017-00101-1834	4	Hardware: Screw 24MM
-	0017-00101-1849	1	Hardware: Crank arm mounting bolt
-	0017-00101-1835	1	Hardware: Screw 10MM
-	AK62-00186-0000	1	Magnet-Standoff Assembly
-	0017-00104-0144	1	Hardware: Washer 0.625" OD

Crank Cover And Lower Caps



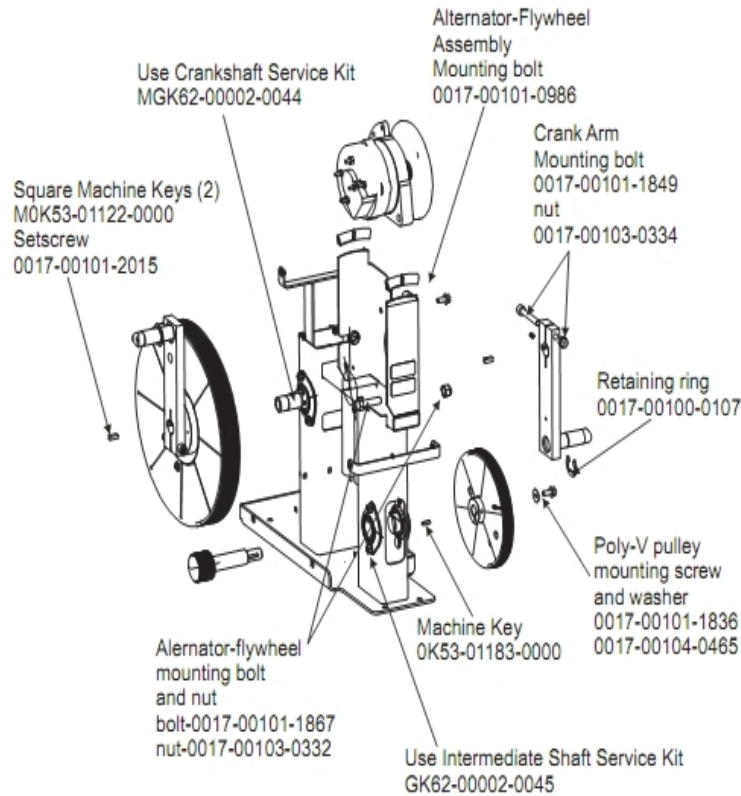
Ref #	Part Number	Qty	Description
-	0K68-01130-0300	4	CAP; STABILIZER; STEALTH GREY
-	0017-00101-1795	2	Hardware: Mounting Screw
-	0K61-03100-0002	1	Crank Cover
-	0K62-01004-0002	1	Front frame Cap
-	0017-00101-1837	2	Hardware: Screw 18MM

Drive Module



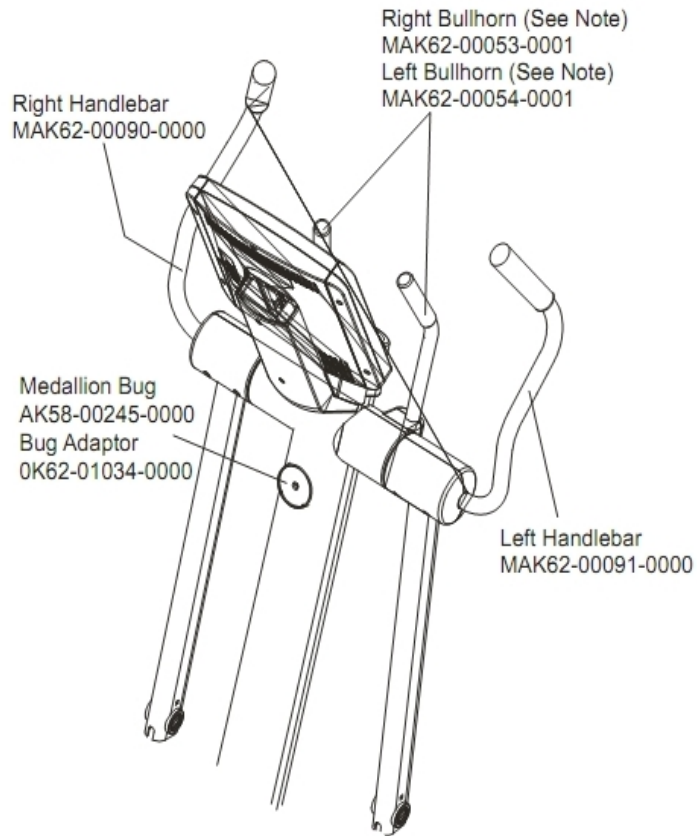
Ref #	Part Number	Qty	Description
-	OK62-01134-0000	1	Flexonic Belt
-	OK62-01135-0000	1	Drive Belt
-	OK62-01222-0001	1	Crankshaft
-	0017-00009-0895	1	Alternator Brush Kit
-	AK62-00204-0000	1	Right Crankarm
-	OK35-01186-0007	1	Poly-V Pulley
-	OK62-01223-0000	1	Intermediate Shaft
-	AK62-00260-0000	1	Resistor Assembly
-	AK61-00250-0001	1	Alternator w/Flywheel
-	0017-00101-2015	1	Hardware: Pulley Set Screw 15 MM

Drive Module Hardware



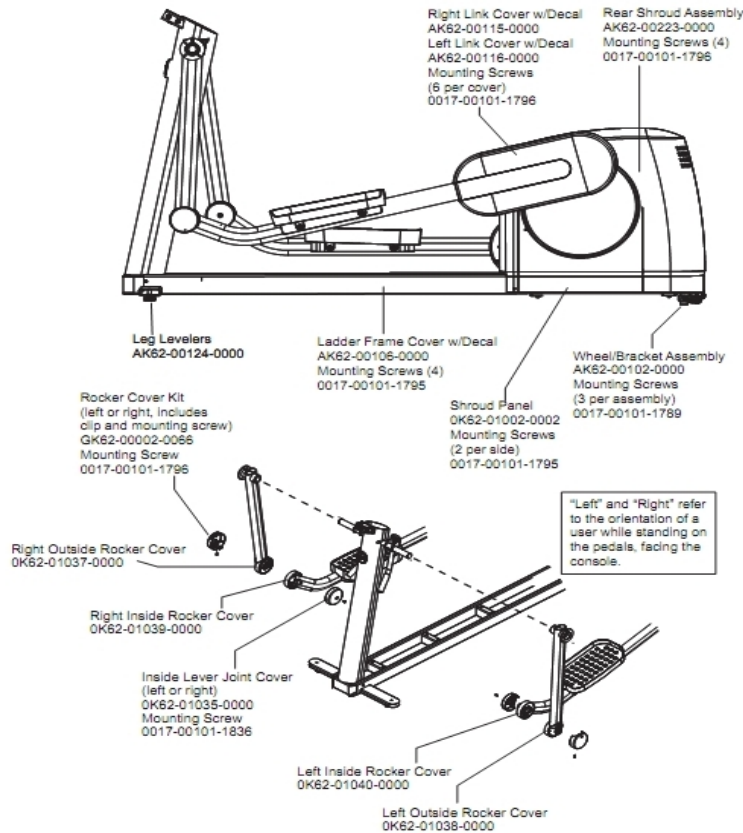
Ref #	Part Number	Qty	Description
-	0017-00101-1849	1	Hardware: Crank arm mounting bolt
-	0017-00104-0465	1	Hardware: Flat Washer 23MM OD
-	OK53-01122-0000	2	Square Key
-	OK53-01183-0000	1	Hex key
-	GK62-00002-0044	1	Crankshaft Bearing Kit
-	0017-00103-0334	1	Hardware: Nut 10 MM
-	0017-00101-0986	1	Hardware: Bolt 0.75"
-	0017-00101-1836	1	Hardware: Screw 10 MM
-	GK62-00002-0045	1	Intermediate Shaft Bearing Kit
-	0017-00101-1867	1	Hardware: Mounting Bolt 45 MM
-	0017-00100-0107	1	Hardware: E-Ring 1"
-	0017-00103-0332	1	Hardware: Mounting Nut
-	0017-00101-2015	1	Hardware: Pulley Set Screw 15 MM

Handlebars And Bullhorns



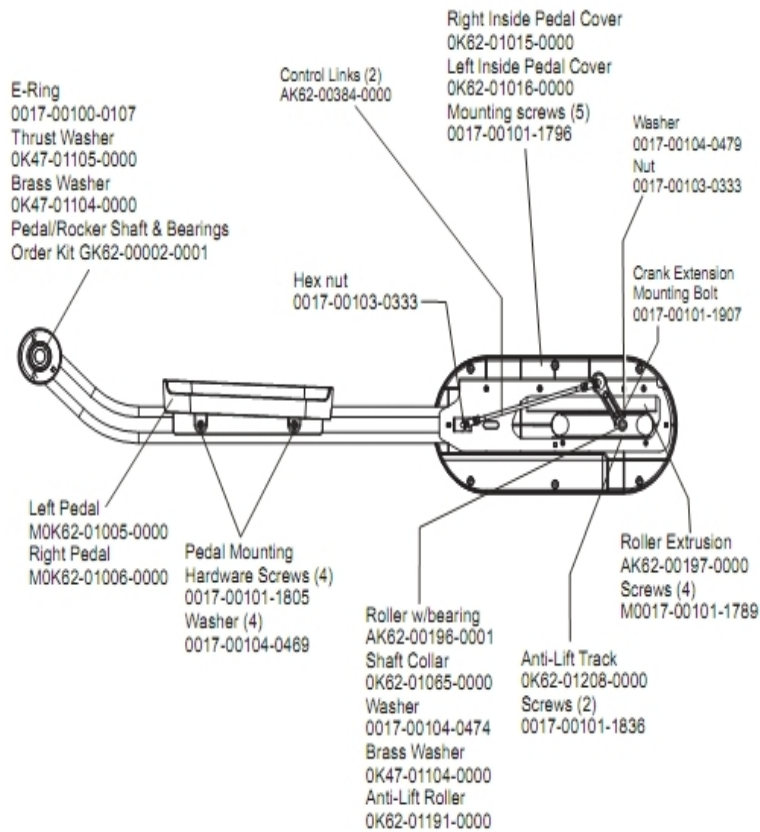
Ref #	Part Number	Qty	Description
-	OK62-01034-0001	1	Bug Adaptor
-	OK62-01199-0001	2	Bullhorn Gasket
-	AK62-00091-0000	1	Handlebar: Left
-	AK58-00245-0000	1	Bug Medallion
-	AK62-00058-0001	1	Left Bullhorn
-	AK62-00054-0001	1	Left Bullhorn
-	OK62-01136-0000	2	Grip
-	AK62-00090-0000	1	Handlebar: Right
-	AK62-00053-0001	1	Right Bullhorn
-	AK62-00057-0001	1	Right Bullhorn

Lower Frame Shrouds And Hardware



Ref #	Part Number	Qty	Description
-	OK62-01035-0000	1	Inside Lever Joint Cover
-	AK62-00124-0000	1	Leg Leveler
-	OK62-01037-0000	1	
-	GK62-00002-0066	1	Rocker Cover Kit
-	0017-00101-1796	8	Hardware: Mounting Screw
-	0017-00101-1836	1	Hardware: Screw 10 MM
-	AK62-00102-0000	1	Wheel/Bracket Assembly
-	AK62-00115-0000	1	Link Cover with Decal: Right
-	AK62-00116-0000	1	Link Cover with Decal: Left
-	AK62-00223-0000	1	Rear Shroud Assembly
-	OK62-01002-0003	1	Shroud Panel
-	0017-00101-1789	6	Hardware: Mounting Screws
-	OK62-01039-0000	1	Right Inside Lever Joint Cover
-	0017-00101-1796	17	Hardware: Mounting Screw 19 MM
-	OK62-01040-0000	1	Left Inside Lever Joint Cover
-	AK62-00106-0001	1	Ladder Frame Cover with Decal
-	OK62-01038-0000	1	Left Inside Rocker Cover

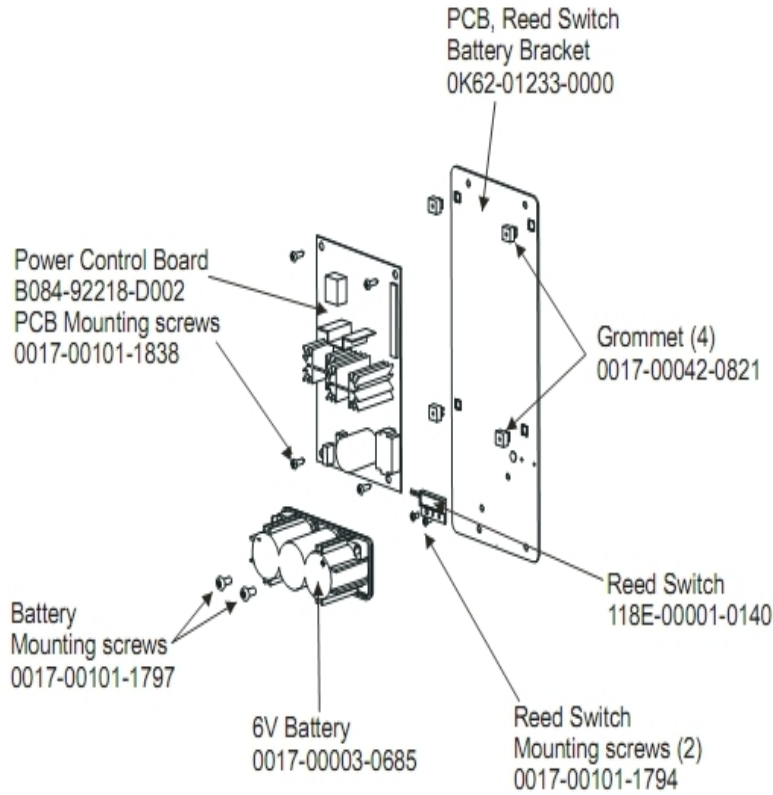
Pedal Lever Assembly Components



Ref #	Part Number	Qty	Description
-	0017-00103-0333	2	Hardware: Hex Nut
-	0017-00101-1805	4	Hardware: TORX Screw 25 MM
-	0017-00101-1907	1	Hardware: Crank Extension Mounting Bolt
-	0017-00104-0469	4	Hardware: Flat Washer 16MM OD
-	0017-00101-1836	2	Hardware: Screw 10 MM
-	0017-00104-0479	1	Hardware: Flat Washer 25.4MM OD
-	OK62-01015-0000	1	Inside Pedal Cover Right
-	OK62-01065-0000	1	Shaft Collar
-	OK47-01104-0000	2	Hardware: Thrust Washer
-	0017-00100-0107	1	Hardware: E-Ring 1"
-	AK62-00196-0001	1	Roller with Bearing
-	AK62-00197-0000	1	Roller Extrusion
-	GK62-00002-0001	1	Pedal/Rocker Shaft and Bearings
-	GK62-00002-0071	3	Control Link Kit
-	0017-00101-1789	4	Hardware: Mounting Screws
-	OK62-01005-0000	1	Left Pedal
-	OK62-01006-0000	1	Right Pedal
-	OK62-01016-0000	1	Inside Pedal Cover Left
-	OK62-01208-0000	1	Anti-Lift Track
-	0017-00101-1796	5	Hardware: Mounting Screw 19 MM
-	0017-00104-0474	1	Hardware: Washer
-	OK47-01105-0000	1	Hardware: Hardened Thrust Washer

Ref #	Part Number	Qty	Description
-	0K62-01191-0000	1	Anti-Lift Roller

PCB, Battery, Reed Switch And Bracket

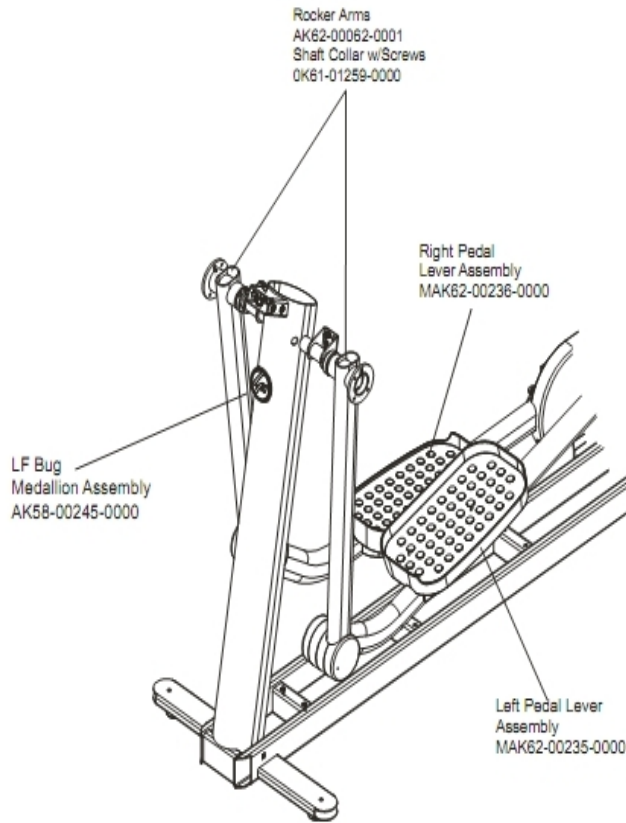


Ref #	Part Number	Qty	Description
-	0K62-01233-0000	1	PCB Reed Switch Battery Bracket
-	0017-00003-0685	1	6V Battery
-	0017-00042-0821	4	Hardware: Plastic Grommet
-	0017-00101-1797	1	Hardware: Mounting Screw 16 MM
-	118E-00001-0140	1	Reed Switch SPDT
-	B084-92218-0000	1	PCB Circuit Board
-	0017-00101-1838	1	Hardware: Mounting Screw 19 MM
-	0017-00101-1794	2	Hardware: Screw 10MM
-	AK62-00299-0000	1	Bearing Insert Assembly

References

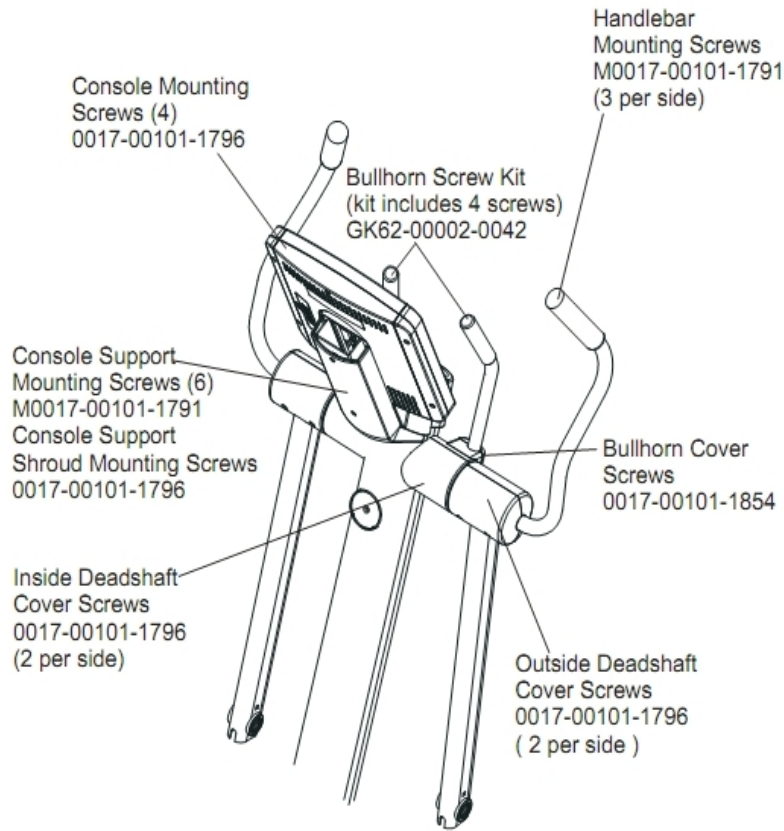
Ref #	Part Number	Qty	Description
-	0017-00042-0754	1	Hardware: Grommet
-	0017-00008-0206	1	.33oz Pen - Arctic Silver
-	GK62-00002-0018	1	Plug in Option 120/60
-	0017-00008-0204	1	Paint Spray Can - Arctic Silver
-	AK32-00078-0001	1	Power Extension Cable: 120"
-	AK62-00210-0000	1	Power-Cable with Bracket Assembly
-	0017-00021-2846	1	F-Type Panel Connector
-	0017-00008-0205	1	5 oz Bottle - Arctic Silver
-	0K62-01179-0001	1	Bracket: Access Panel; Plug-in
-	AK62-00152-0001	1	Hardware Bag
-	AK32-00020-0002	1	Coax Cable: 120"

Rocker Arms And Pedal Levers



Ref #	Part Number	Qty	Description
-	AK62-00236-0000	1	Right Pedal Lever Assembly
-	OK61-01259-0000	1	Shaft Split Collar
-	GK62-00002-0070	1	Rocker Arm Kit
-	AK62-00235-0000	1	Left Pedal Lever Assembly

Upper Frame Hardware



Ref #	Part Number	Qty	Description
-	0017-00101-1791	12	Hardware: TORX Screw 19 MM
-	0017-00101-1846	2	Hardware: Phillips Pan Screw 10 MM
-	0K62-01022-0202	1	Accessory Tray
-	0017-00101-1854	1	Hardware: Bullhorn Cover Screw 44MM
-	0017-00101-1796	13	Hardware: Mounting Screw 19 MM
-	0017-00101-1876	1	Hardware: M 8X1.25-6G6GX 22 DIN TRX FLT CS ST BZ B

