

95Ci Lifecycle - Lifepulse

95C-0100-01

Parts Manual

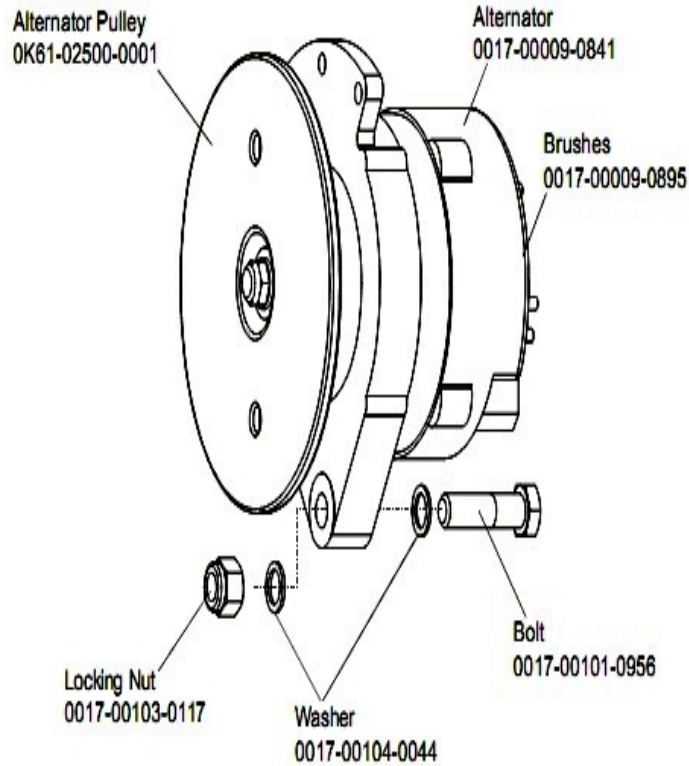
1/5/2019 9:15:58 AM



Table of Contents

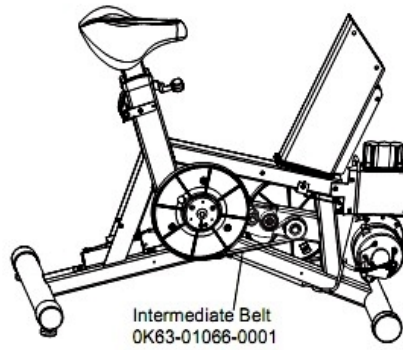
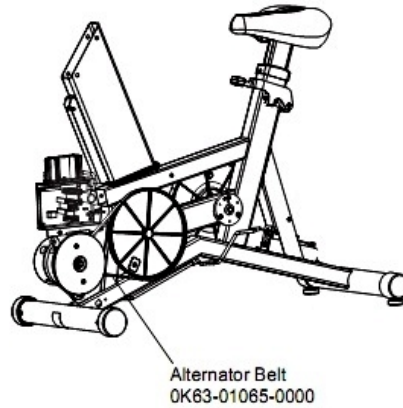
[Alternator and Pulley](#).....3
[Belts](#).....4
[Cables](#).....5
[Console Components](#).....6
[Console Support Assembly](#).....7
[Crankshaft and Bearing Assembly](#).....8
[Front Wheel Assembly](#).....9
[General Assembly](#).....10
[Handlebar Assembly](#).....11
[Idler Bracket Assembly](#).....12
[Intermediate Shaft and Bearing Assembly](#).....13
[Left Side Shroud and Crank Arm](#).....14
[PCB Mounting Bracket Assembly](#).....15
[Resistor Assembly](#).....16
[Right Side Shroud and Crank Arm](#).....17
[Seat Latch Assembly](#).....18
[Seat Post Assembly](#).....19
[Seat Post Shrouds](#).....20
[Unlabeled Parts](#).....21

Alternator and Pulley



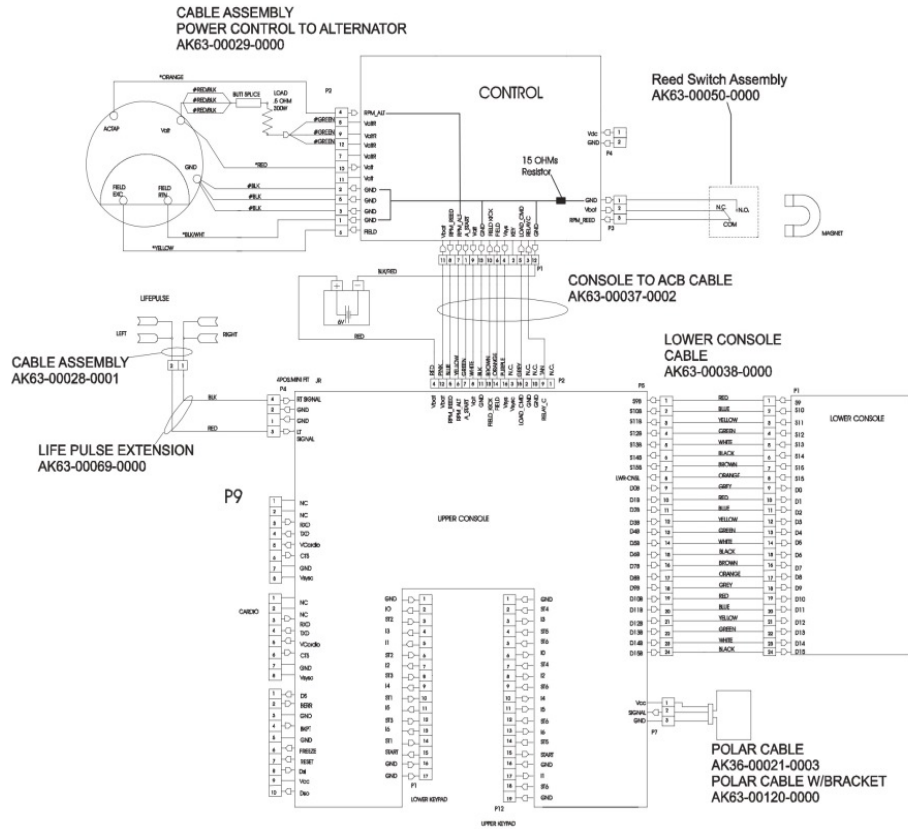
Ref #	Part Number	Qty	Description
-	0017-00103-0117	1	Hardware: Locking Nut 1/2" ID
-	0K61-01027-0000	1	Flywheel: 6.75" D
-	0017-00101-0956	1	Hardware: Bolt 2"
-	0017-00104-0044	2	Hardware: Washer 0.75" OD
-	0017-00009-0841	1	Alternator
-	0017-00009-0895	1	Alternator Brush Kit

Belts



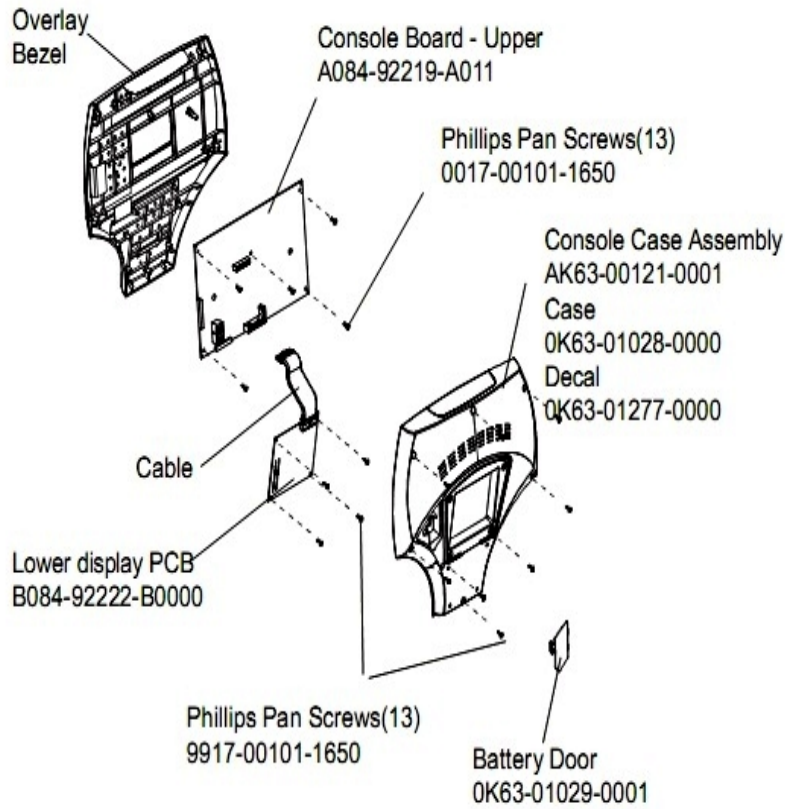
Ref #	Part Number	Qty	Description
-	GK63-00002-0079	1	Kit: Upright/Rec Belt And Pulley
-	OK63-01405-0000	1	BELT: POLY-V; 390J6; 39.00 IN

Cables



Ref #	Part Number	Qty	Description
-	AK63-00028-0001	1	LifePulse Cable
-	AK63-00037-0002	1	Console Cable
-	AK63-00029-0000	1	Power Control to Alternator
-	AK63-00050-0000	1	Reed Switch Bracket Assembly
-	AK63-00120-0000	1	Polar Cable with Bracket
-	AK36-00021-0003	1	Cable Assembly
-	AK63-00038-0000	1	Lower Console Cable
-	AK63-00069-0000	1	Heart Rate Cable

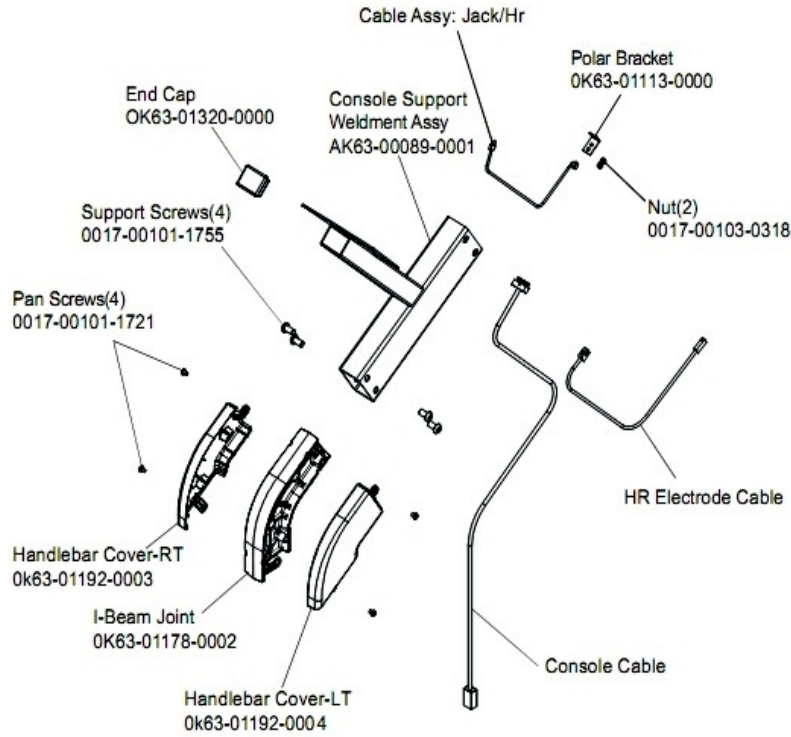
Console Components



Ref #	Part Number	Qty	Description
-	A084-92219-A011	1	Console Board - Upper
-	AK63-00121-0001	1	Console Case Assembly
-	0K63-01028-0000	1	Case
-	AK63-00160-0001	1	Console Assembly English Metric
-	0K63-01277-0000	1	Console Decal
-	AK63-00165-0001	1	Bezel/Switch with Overlay English Metric
-	0017-00101-1650	26	Hardware: Phillips Pan Screw 0.375"
-	B084-92222-B000	1	Console Board - Lower
-	0K63-01029-0001	1	Battery Door

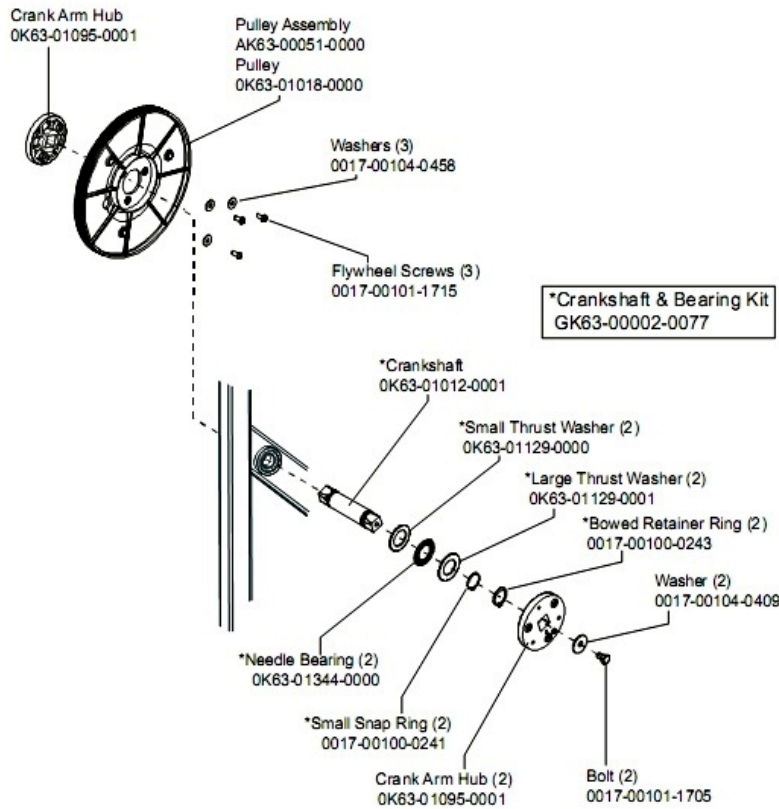
Console Support Assembly

Console Support – AK63-00065-0001



Ref #	Part Number	Qty	Description
-	0K63-01192-0004	1	Handlebar Cover Left
-	0K63-01113-0000	1	Polar Bracket
-	0K63-01178-0002	1	Console Support Elbow 6"
-	0017-00101-1721	4	Hardware: Pan Screw
-	0017-00101-1755	4	Hardware: TORX Bolt 0.75"
-	0017-00103-0318	2	Hardware: Nut
-	AK63-00089-0002	1	Console Support Weldment Assembly
-	AK63-00065-0001	1	Console Support Assembly
-	0K63-01320-0000	1	End Cap
-	0K63-01192-0003	1	Handlebar Cover Right

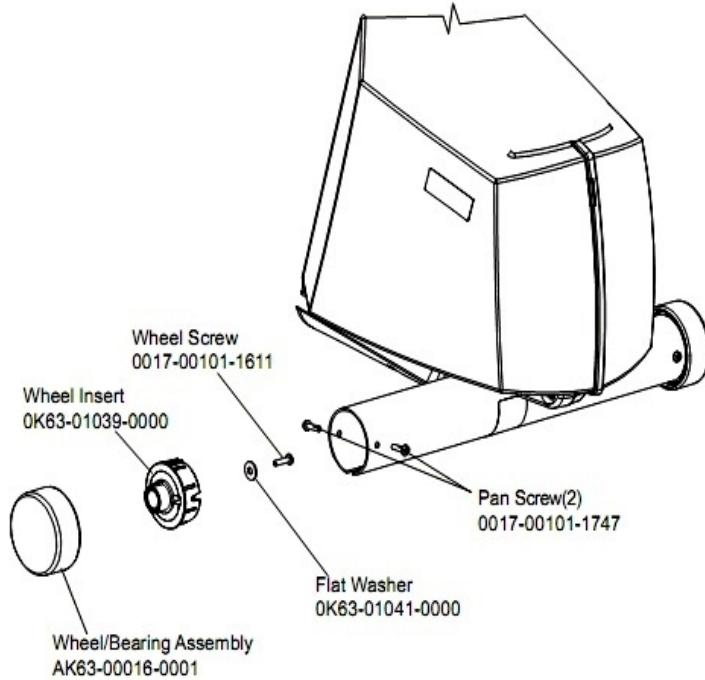
Crankshaft and Bearing Assembly



Ref #	Part Number	Qty	Description
-	0K63-01018-0000	1	Crank Pulley
-	0017-00101-1705	2	Hardware: Bolt 0.5"
-	0K63-01344-0000	2	Hardware: Needle Bearing
-	0K63-01129-0001	2	Hardware: Large Thrust Washer
-	GK63-00002-0077	1	Crankshaft and Bearing Kit
-	0K63-01129-0000	2	Hardware: Small Thrust Washer
-	0017-00100-0243	2	Hardware: Bowed Retaining Ring .984"
-	0017-00101-1715	3	Hardware: TORX Cap Screw 0.625"
-	0017-00104-0409	2	Hardware: Washer 1.125" OD
-	0017-00104-0458	3	Hardware: Flat Washer 0.75" OD
-	0K63-01012-0001	1	Crankshaft
-	AK63-00051-0000	1	Pulley Assembly
-	0K63-01095-0001	3	Crank Arm Hub
-	0017-00100-0241	2	Hardware: Small Snap Ring .984"

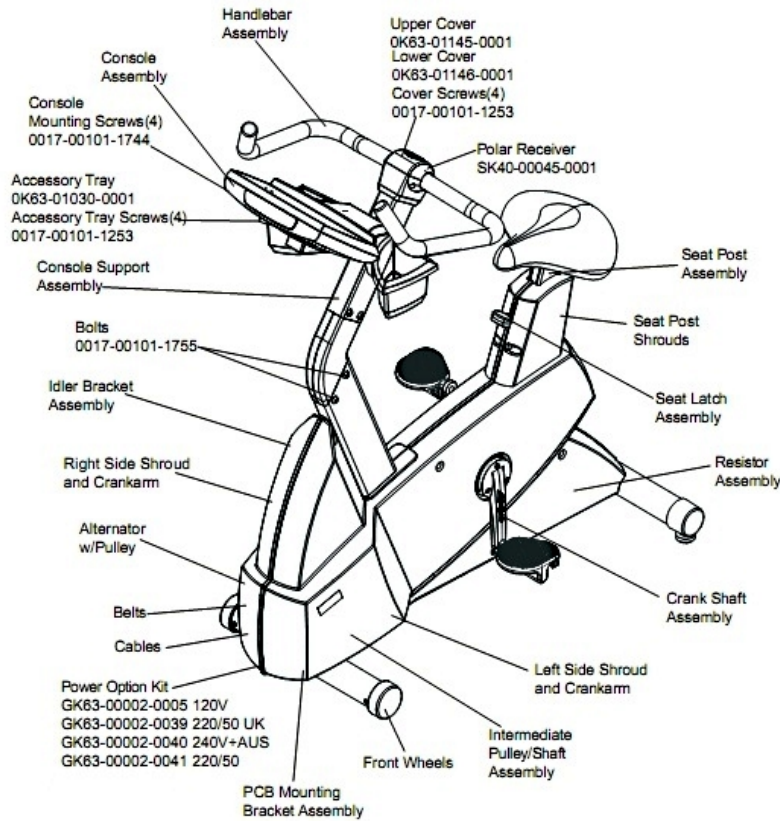
Front Wheel Assembly

Front Wheel Assy – AK63-00017-0001



Ref #	Part Number	Qty	Description
-	0K63-01041-0000	2	Hardware: Flat Washer
-	AK63-00016-0001	2	Wheel/Bearing Assembly
-	0K63-01039-0000	2	Wheel Insert
-	0017-00101-1747	4	Hardware: Pan Screw 0.75"
-	0017-00101-1611	2	Hardware: Insert Screw
-	AK63-00017-0001	2	Front Wheel Assembly

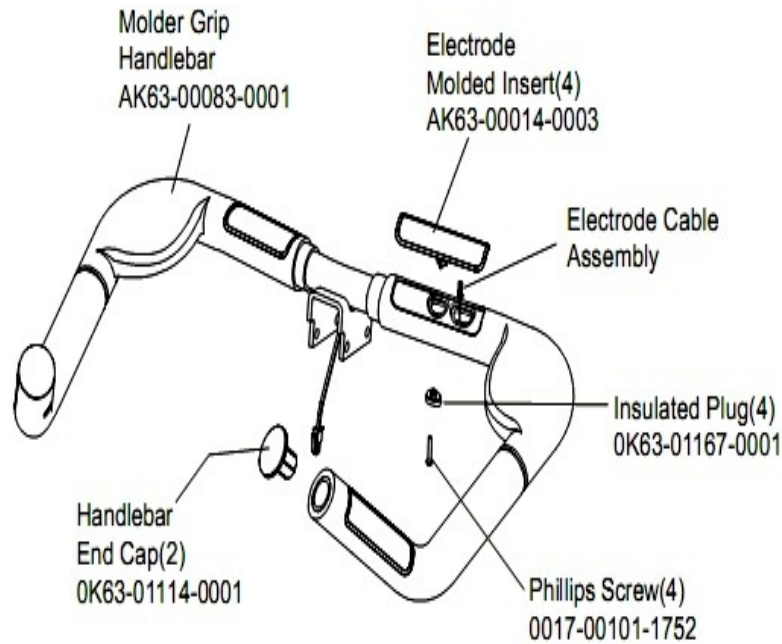
General Assembly



Ref #	Part Number	Qty	Description
-	0017-00101-1253	8	Hardware: Screw
-	GK63-00002-0005	2	Power Option Kit: 120V
-	SK40-00045-0001	1	Polar HR Kit
-	0K63-01145-0002	1	Upper Cover
-	GK63-00002-0044	1	Hardware Bag
-	GK63-00002-0044	1	Hardware Bag
-	GK63-00002-0044	1	Hardware Bag
-	GK63-00002-0044	1	Hardware Bag
-	GK63-00002-0044	1	Hardware Bag
-	GK63-00002-0044	1	Hardware Bag
-	GK63-00002-0044	1	Hardware Bag
-	GK63-00002-0044	1	Hardware Bag
-	GK63-00002-0044	1	Hardware Bag
-	GK63-00002-0044	1	Hardware Bag
-	0017-00101-1744	4	Hardware: Phillips Pan Screw
-	0K63-01030-0001	1	Accessory Tray
-	0K63-01146-0001	1	Lower Cover
-	0017-00101-1755	8	Hardware: TORX Bolt 0.75"

Handlebar Assembly

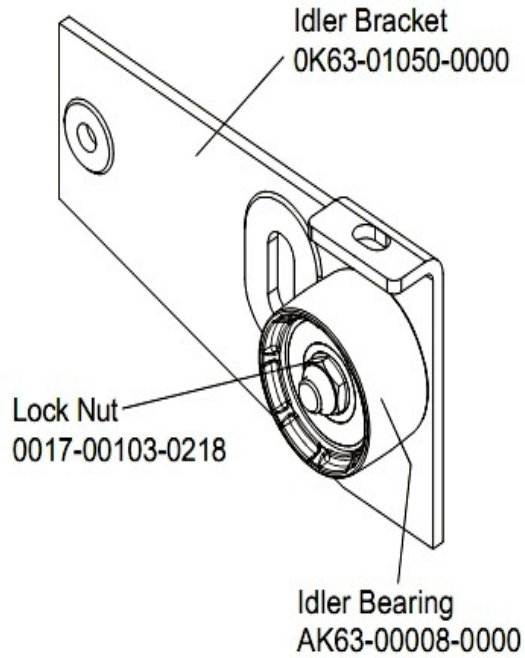
Handlebar Assy – AK63-00091-0001



Ref #	Part Number	Qty	Description
-	0017-00101-1752	4	Hardware: Phillips Screw 1"
-	AK63-00014-0003	4	Heart Rate Electrode
-	AK63-00083-0000	1	Molder Grip Handlebar
-	AK63-00091-0001	1	Handle Bar
-	OK63-01114-0001	2	Bullhorn Cap
-	OK66-01141-0002	4	Plug: Insulator; Stealth Grey; Purchased

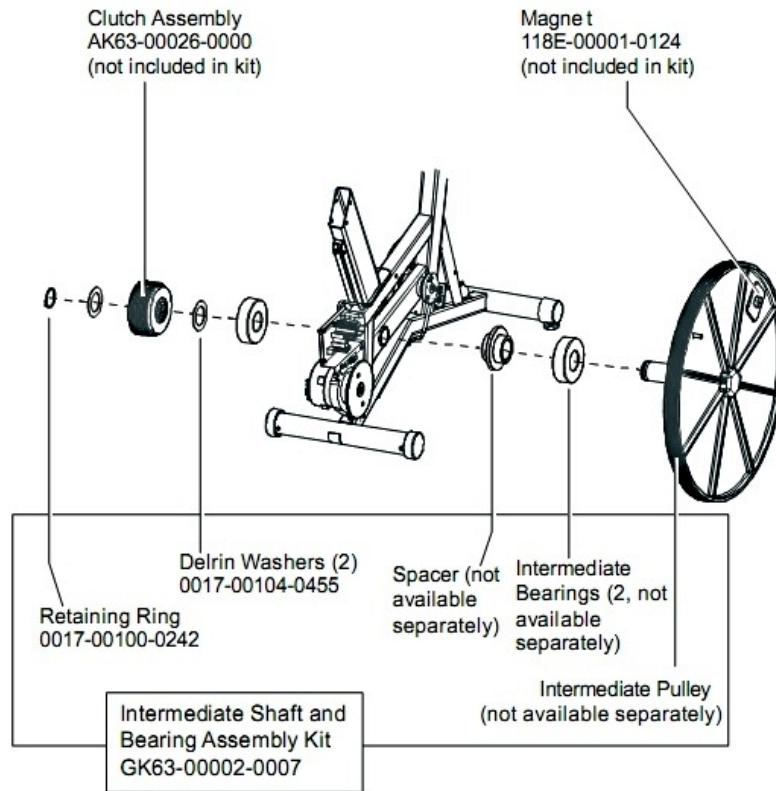
Idler Bracket Assembly

Idler Bracket – AK63-00021-0000



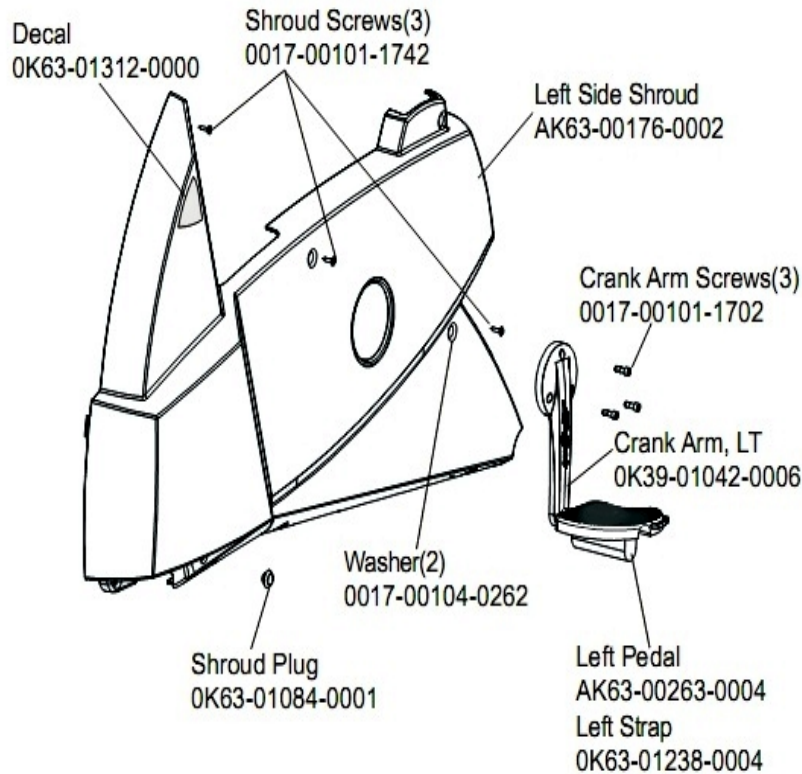
Ref #	Part Number	Qty	Description
-	AK63-00021-0000	1	Idler Bracket Assembly
-	AK63-00008-0000	1	Idler w/Bearing
-	0017-00103-0218	1	Hardware: Lock Nut 3/8" ID
-	0K63-01050-0000	1	Idler Bracket

Intermediate Shaft and Bearing Assembly



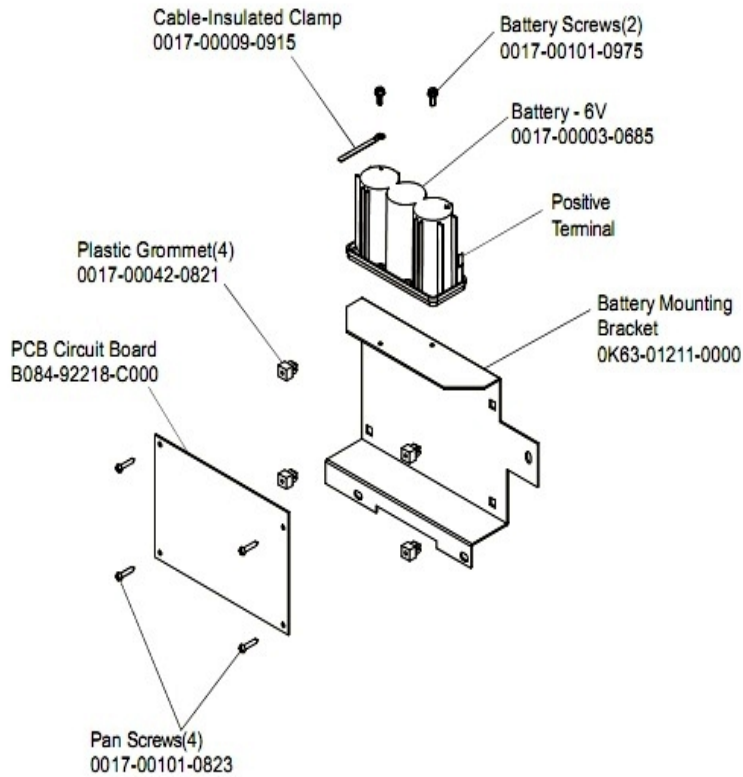
Ref #	Part Number	Qty	Description
-	0017-00104-0455	2	Hardware: Delrin Washer 1.250" OD
-	GK63-00002-0007	1	Intermediate Shaft and Bearing Assembly
-	118E-00001-0124	1	Auto-Start Magnet
-	GK63-00002-0079	1	Kit: Upright/Rec Belt And Pulley
-	0017-00100-0242	1	Hardware: Retaining Ring .781"

Left Side Shroud and Crank Arm



Ref #	Part Number	Qty	Description
-	OK39-01042-0006	1	Crank Arm Left
-	0017-00101-1742	3	Hardware: TORX Screw 0.75"
-	OK63-01312-0000	1	Decal
-	OK63-01238-0004	1	Left Pedal Strap
-	AK63-00263-0004	1	Pedal: Left
-	0017-00101-1702	3	Hardware: Screw
-	AK63-00176-0002	1	Left Side Shroud
-	OK63-01084-0001	1	Shroud Plug
-	0017-00104-0262	2	Hardware: Washer

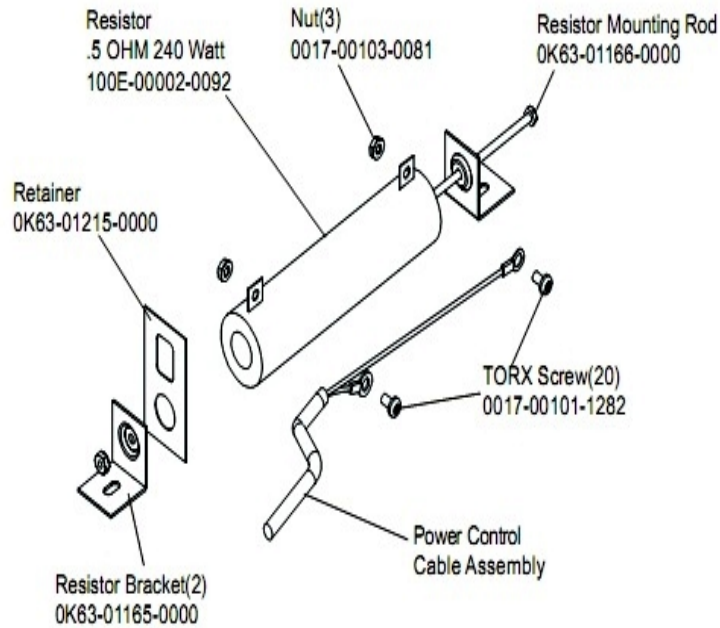
PCB Mounting Bracket Assembly



Ref #	Part Number	Qty	Description
-	0017-00101-0975	2	Hardware: Mounting Bolt 0.375"
-	AK63-00049-0000	1	PCB Mounting Bracket
-	0017-00003-0685	1	6V Battery
-	0017-00009-0915	1	Cable-Insulated Clamp
-	0K63-01211-0000	1	Battery Mounting Bracket
-	0017-00101-0823	4	Hardware: Screw 0.75"
-	GK61-00002-0045	1	Power Control Board
-	0017-00042-0821	4	Hardware: Plastic Grommet

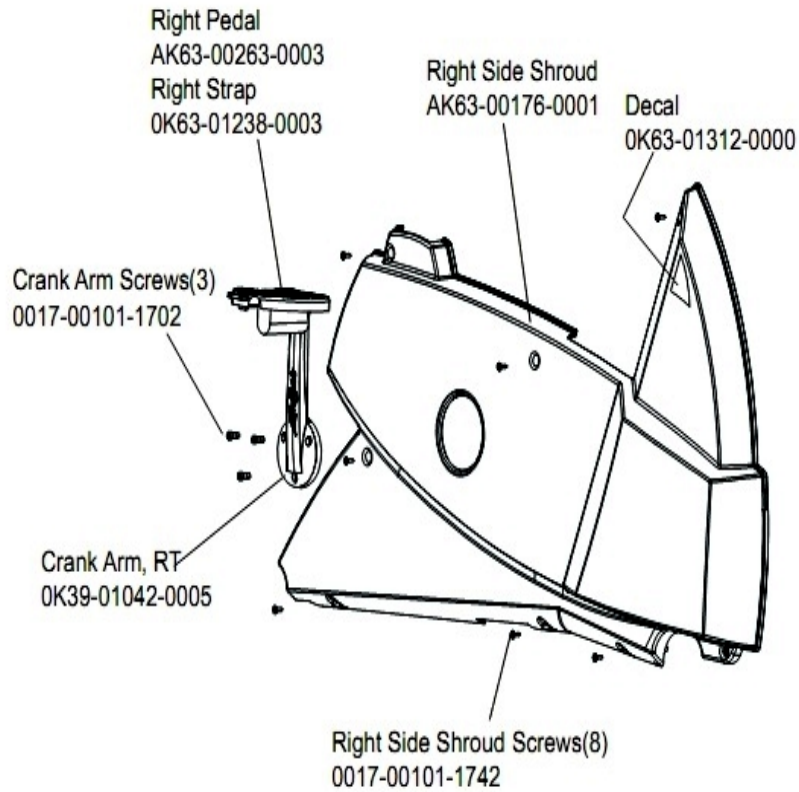
Resistor Assembly

Resistor Assy – AK63-00047-0001



Ref #	Part Number	Qty	Description
-	0017-00103-0081	3	Hardware: Hex Nut ID
-	OK63-01165-0000	2	Resistor Bracket
-	OK63-01215-0000	1	Hardware: Resistor Retainer
-	AK63-00047-0001	1	Resistor Assembly
-	OK63-01166-0000	1	Resistor Mounting Rod
-	0017-00101-1282	2	Hardware: TORX Screw 0.375"
-	100E-00002-0092	1	Resistor .5 OHM 240 Watt

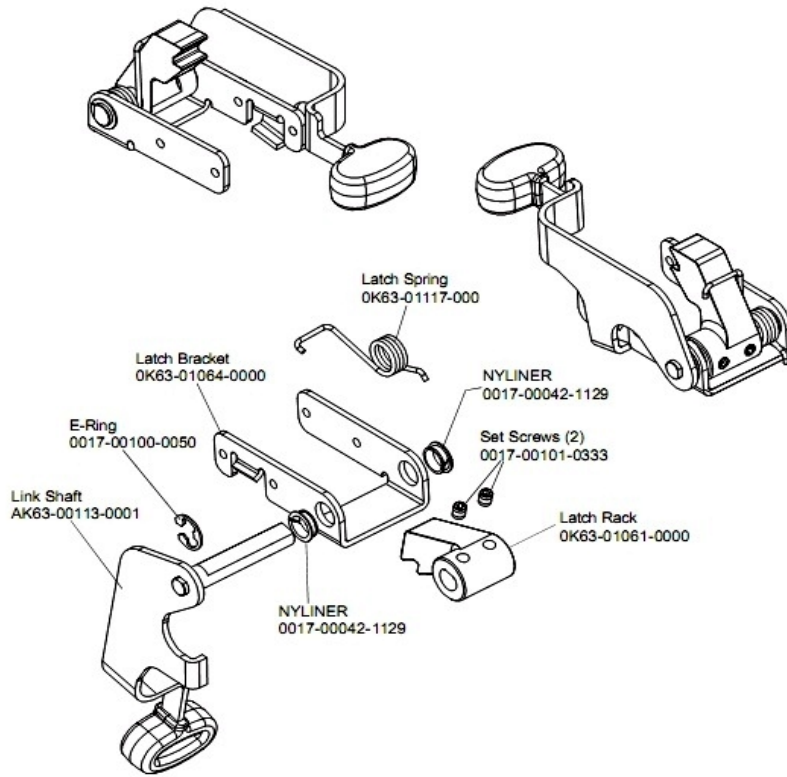
Right Side Shroud and Crank Arm



Ref #	Part Number	Qty	Description
-	OK63-01312-0000	1	Decal
-	AK63-00263-0003	1	Pedal: Right
-	OK63-01238-0003	1	Right Pedal Strap
-	AK63-00176-0001	1	Right Side Shroud
-	0017-00101-1742	8	Hardware: TORX Screw 0.75"
-	0017-00101-1702	3	Hardware: Screw
-	OK39-01042-0005	1	Crank Arm Right

Seat Latch Assembly

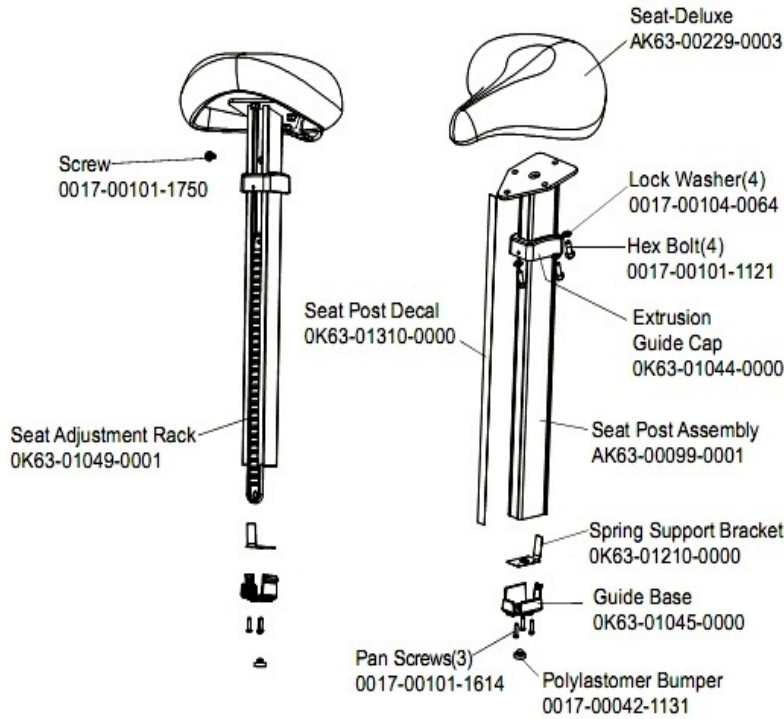
Seat Latch Assy - AK63-00043-0001



Ref #	Part Number	Qty	Description
-	OK63-01061-0000	1	Latch Rack
-	AK63-00043-0001	1	Seat Latch Assembly
-	0017-00100-0050	1	Hardware: E-Ring .5"
-	0017-00042-1129	2	Hardware: Nyliner Ring - 1/2" Diameter
-	0017-00101-0333	2	Hardware: Screw 0.3125"
-	AK63-00113-0001	1	Link Shaft Assembly
-	OK63-01064-0000	1	Latch Bracket
-	OK63-01117-0000	1	Latch Spring

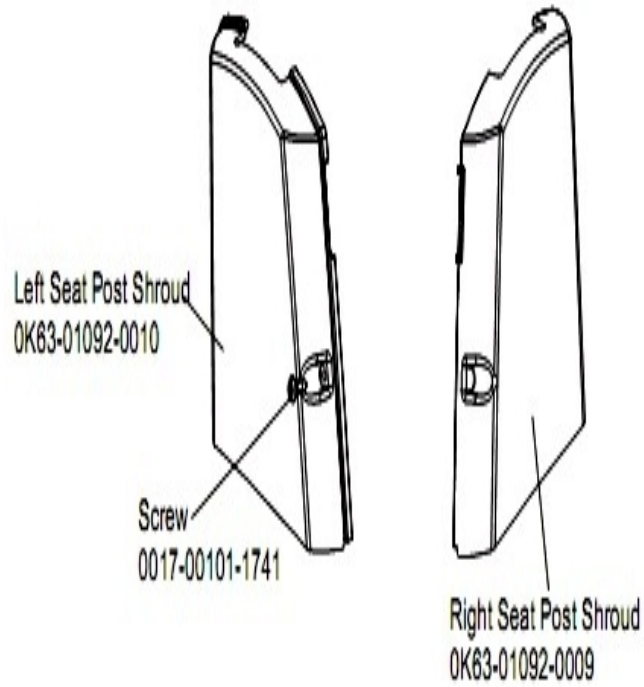
Seat Post Assembly

Seat Post Assy – AK63-00232-0002



Ref #	Part Number	Qty	Description
-	AK63-00232-0002	1	Seat Post Assembly
-	0K63-01045-0000	1	Guide Base
-	0017-00101-1614	3	Hardware: Screw 0.625"
-	0017-00042-1131	1	Bumper
-	AK63-00099-0001	1	Seat Post Assembly
-	0K63-01044-0000	1	Extrusion Guide Cap
-	0017-00104-0064	4	Hardware: Lock Washer 0.586" OD
-	AK63-00229-0003	1	Deluxe Seat
-	0017-00101-1750	1	Hardware: Screw 0.75"
-	0017-00101-1121	4	Hardware: Bolt 4.6875"
-	0K63-01310-0000	1	Seat Post Decal
-	0K63-01210-0000	1	Spring Support Bracket
-	0K63-01049-0001	1	Seat Adjustment Rack

Seat Post Shrouds



Ref #	Part Number	Qty	Description
-	0K63-01092-0010	1	Left Seat Post Shroud
-	0017-00101-1741	1	Hardware: Screw
-	0K63-01092-0009	1	Right Seat Post Shroud

Unlabeled Parts

Ref #	Part Number	Qty	Description
-	AK63-00093-0000	1	Alternator w/Pulley
-	0017-00009-0895	1	Alternator Brush Kit
-	0K63-01219-0001	1	End Cap
-	M051-00K63-A080	1	Unpacking Instructions
-	GK63-00002-0005	1	Power Option Kit: 120V
-	M051-00K20-C408	1	Warranty Card
-	M051-00K63-A081	1	Assembly Instructions
-	AK63-00232-0002	1	Seat Post Assembly
-	AK63-00050-0000	1	Reed Switch Bracket Assembly
-	AK63-00229-0003	1	Deluxe Seat
-	M051-00K20-A409	1	Facility Safety Sign
-	GK63-00002-0062	1	Accessory Tray Kit
-	AK63-00091-0001	1	Handle Bar
-	AK63-00051-0000	1	Pulley Assembly

