

95C Upright Bike Base - Heart Rate

95C-ALLXX-05

Parts Manual

1/5/2019 9:25:56 AM

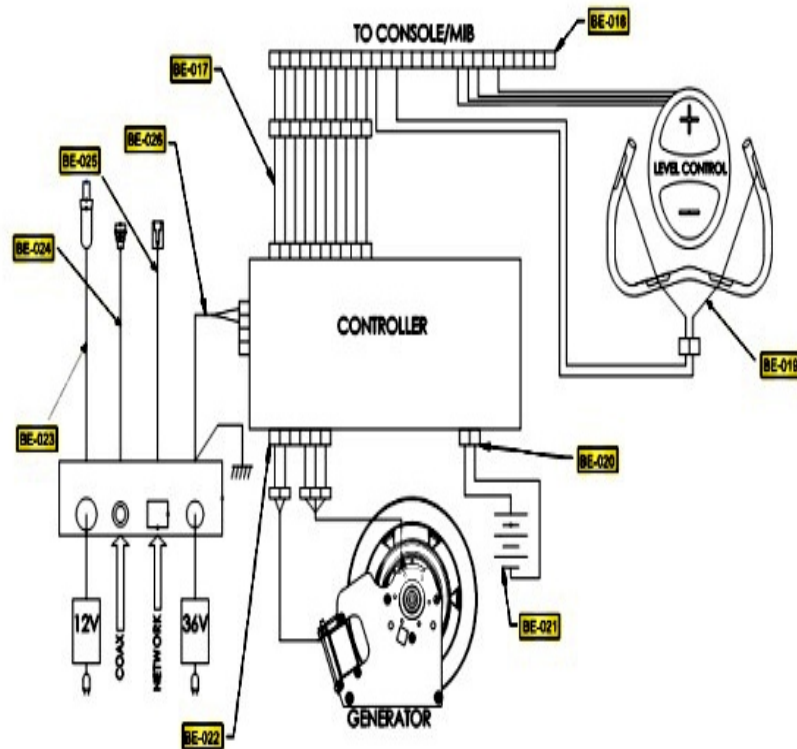


LifeFitness
WHAT WE LIVE FOR

Table of Contents

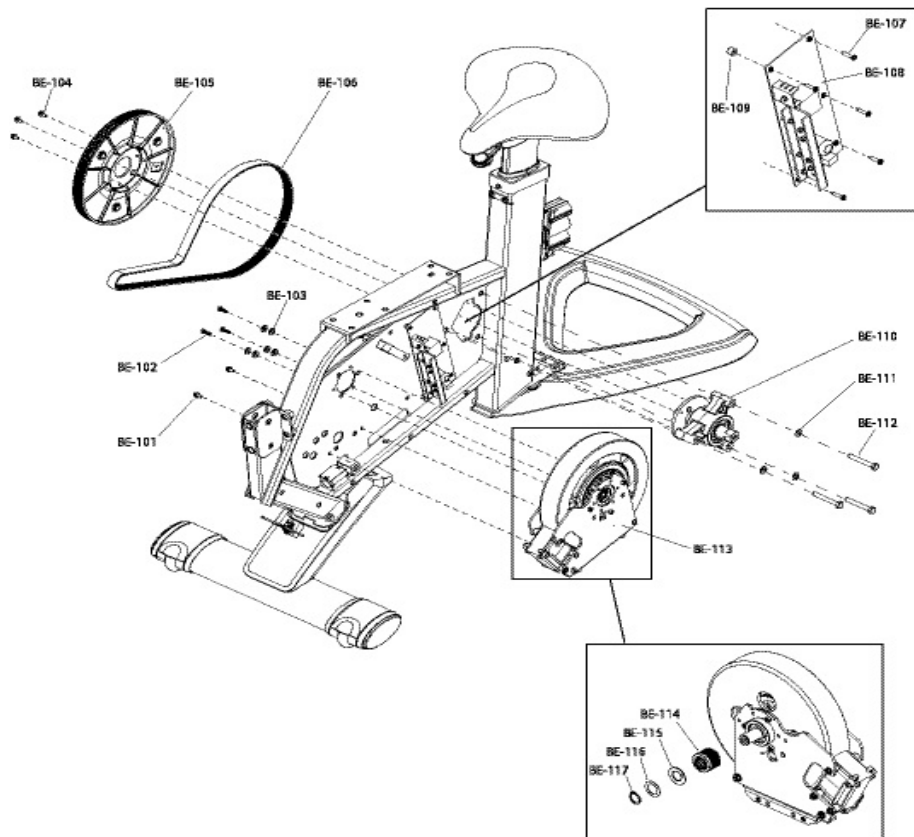
Base Frame Electronics - Cables.....	3
Base Frame Electronics - Generator and Related Components.....	4
Base Frame Electronics - Idler Assembly.....	5
Drive System - Pedals and Cranks.....	6
Heart Rate System - Handlebar and Components.....	7
Lower Frame - Battery, Leg Leveler and Rear Stabilizer.....	8
Lower Frame - Front Stabilizer and Components.....	9
Miscellaneous.....	10
Upper Frame - Monocolumn and Console Mounting Bracket.....	11
Upper Frame - Seat and Seat Post Components.....	12
Upper Frame - Shrouds - Console.....	13
Upper Frame - Shrouds - Front and Seat.....	14
Upper Frame - Shrouds - (Left, Right, Step) and GBC Shield.....	15

Base Frame Electronics - Cables



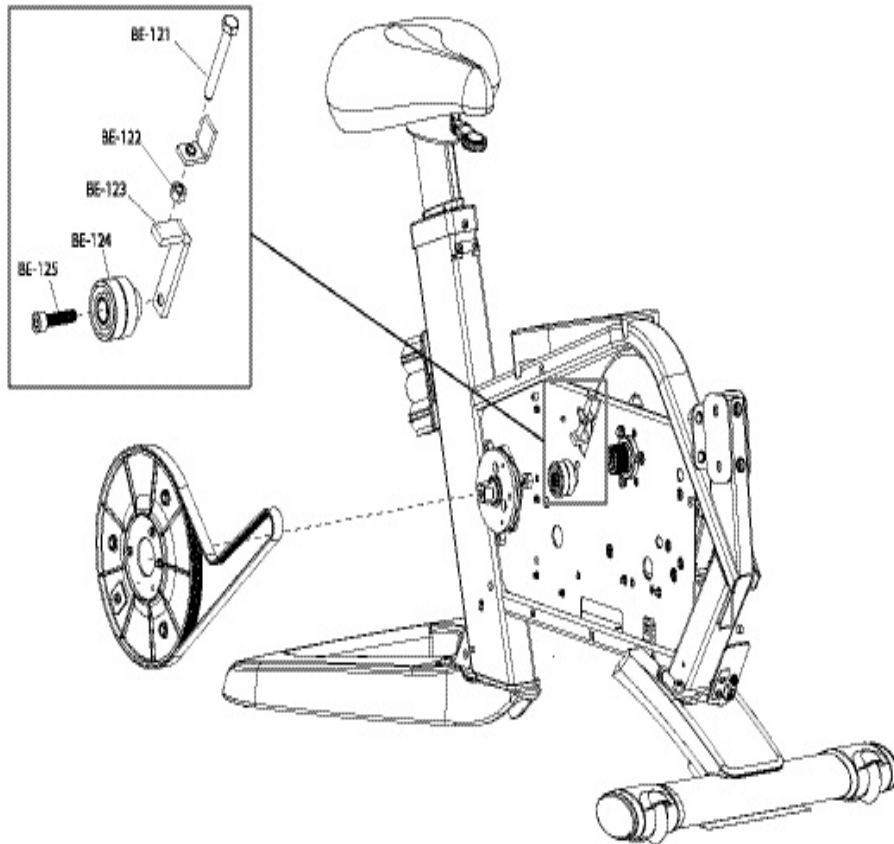
Ref #	Part Number	Qty	Description
BE-017	AK66-00106-0000	1	PCB to Console Cable: Recumbent
BE-018	AK67-00105-0000	1	Console/Handlebar Cable - Upright Bike
BE-019	AK63-00028-0001	1	LifePulse Cable
BE-020	AK67-00109-0000	1	Battery cable: Upright
BE-022	AK66-00107-0000	1	Generator/Brake Cable
BE-023	AK32-00160-0000	1	Ext Power Cable with Ferrite
BE-024	AK65-00062-0000	1	Cable: Coax RG6 Base
BE-025	AK65-00051-0001	1	C-safe Network Cable 65"
BE-026	AK67-00108-0000	1	External Power Cable

Base Frame Electronics - Generator and Related Components



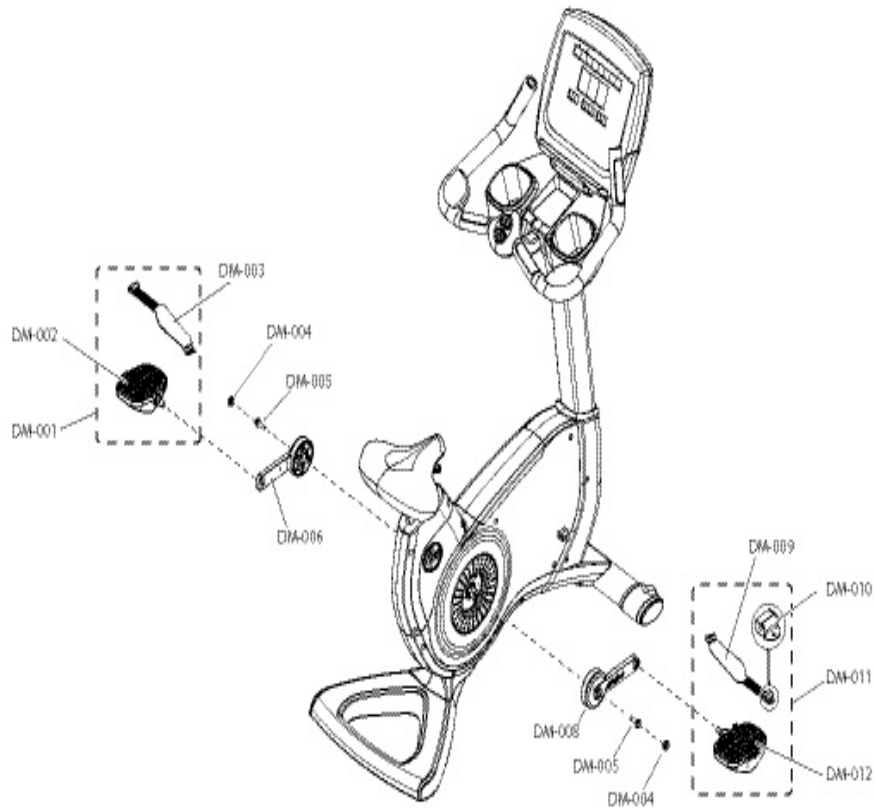
Ref #	Part Number	Qty	Description
BE-101, BE-104	0017-00101-2102	5	SCR: M5 X 0.8 6G6G X 10 HEX FLG L CS ST
BE-102	0017-00101-1894	3	Hardware: Idler Assembly Mounting Bolt 16MM
BE-103	0017-00104-0330	6	Hardware: Flat Washers 0.562" OD
BE-105	0K76-01068-0000	1	Pulley
BE-106	0017-00009-1323	1	BELT: POLYV; 460J8, STANDARD
BE-107	0017-00101-1838	5	Hardware: Mounting Screw 19 MM
BE-108	A084-92363-0002	1	PROGRAMMED PCB: B084-92363-0002
BE-109	0017-00042-1229	1	SPACER: ROUND PLASTIC
BE-110	AK66-00151-0000	1	HUB ASSY: CRANKSHAFT, UNIPLATE
BE-111	0017-00104-0469	3	Hardware: Flat Washer 16MM OD
BE-112	0017-00101-2002	3	Hardware: Tension Bolt 60MM
BE-113	AK66-00172-0000	1	ASSY: GENERATOR/PULLEY; UNIPLATE, AP1/AP2, MFG.
BE-114	AK66-00165-0000	1	NC: PULLEY ASSY: W/CLUTCH, UNIPLATE, ISO/DIN
BE-115	0K66-01237-0000	1	Hardware: Shaft Washer Large
BE-116	0017-00104-0498	1	Hardware: Shaft Washer Small .734" OD
BE-117	0017-00100-0257	1	Retaining Ring

Base Frame Electronics - Idler Assembly



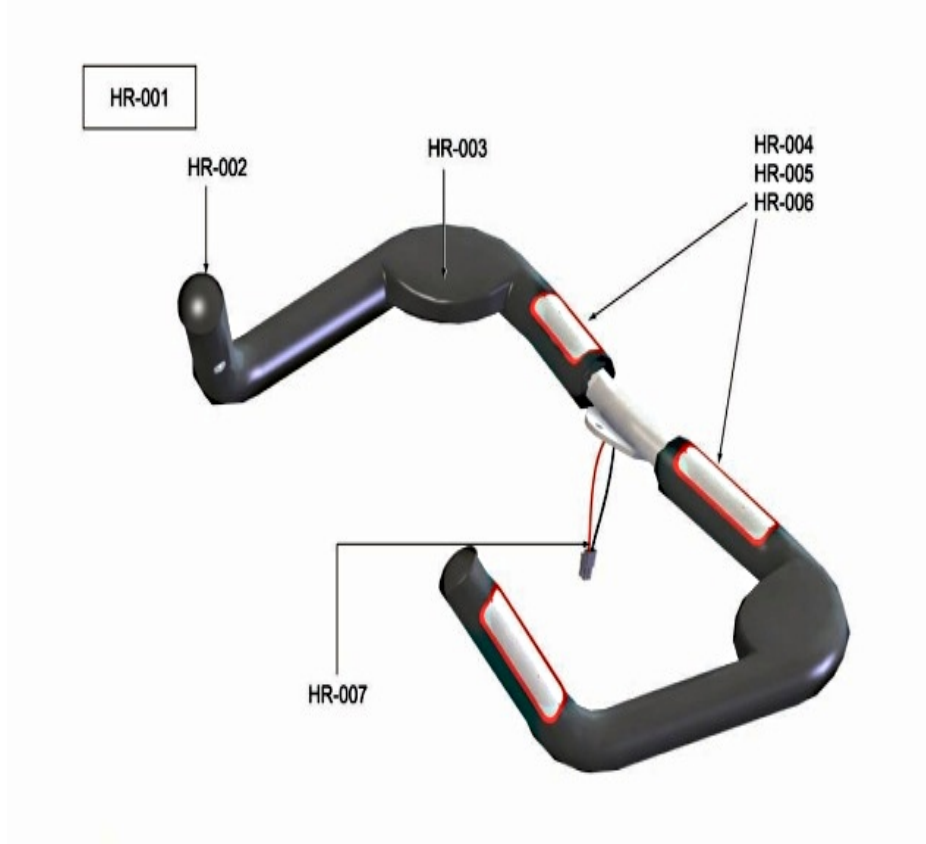
Ref #	Part Number	Qty	Description
BE-121	0017-00101-2002	1	Hardware: Tension Bolt 60MM
BE-122	0017-00103-0328	1	Hardware: Nut 8 MM ID
BE-123	0K66-01254-0000	1	BRKT: TENSIONER
BE-124	AK66-00173-0000	1	ASSY: IDLER & POST; AP1/AP2, MFG.
BE-125	0017-00101-1982	1	Hardware: Mounting Bolt 35MM

Drive System - Pedals and Cranks



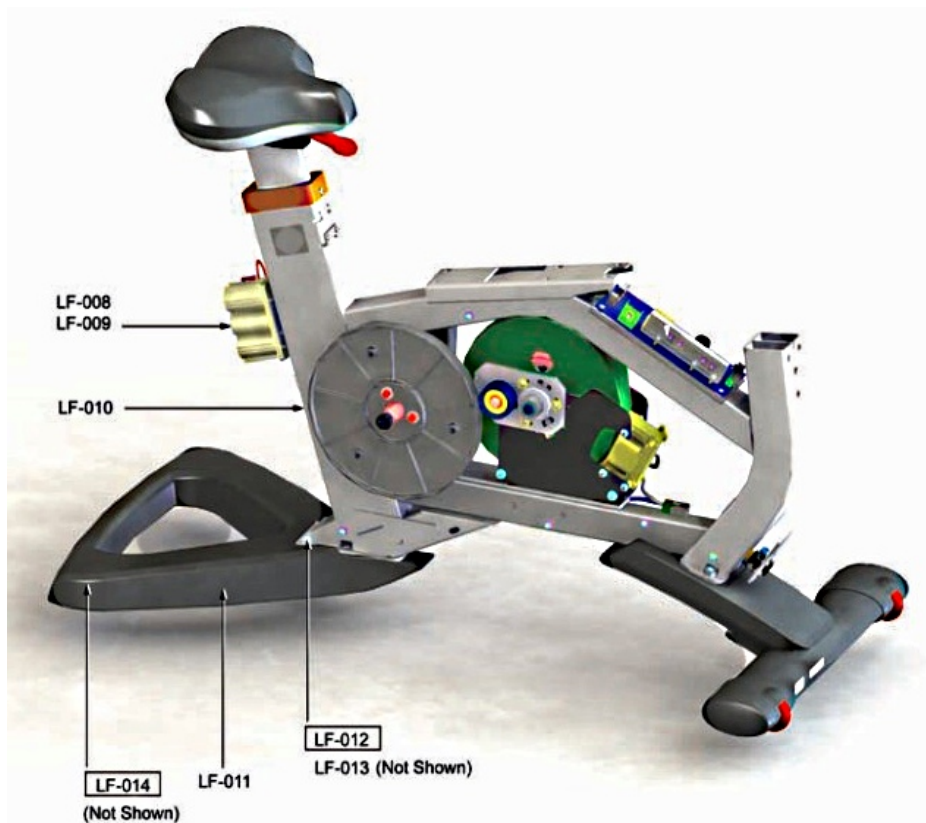
Ref #	Part Number	Qty	Description
DM-001	AK66-00048-0001	1	Left Pedal W/ Strap Assembly
DM-003	AK66-00135-0000	1	Strap Assembly: Pedal; Left
DM-004	0K66-01121-0000	2	Crank Cap
DM-005	0017-00101-2043	2	Hardware: Crank Screw 25MM
DM-006	0K66-01006-0108	1	Left Crank Arm
DM-008	0K66-01006-0107	1	Right Crank Arm
DM-009	AK66-00136-0000	1	Strap Assembly: Pedal; Right
DM-011	AK66-00047-0001	1	Right Pedal W/ Strap Assembly

Heart Rate System - Handlebar and Components



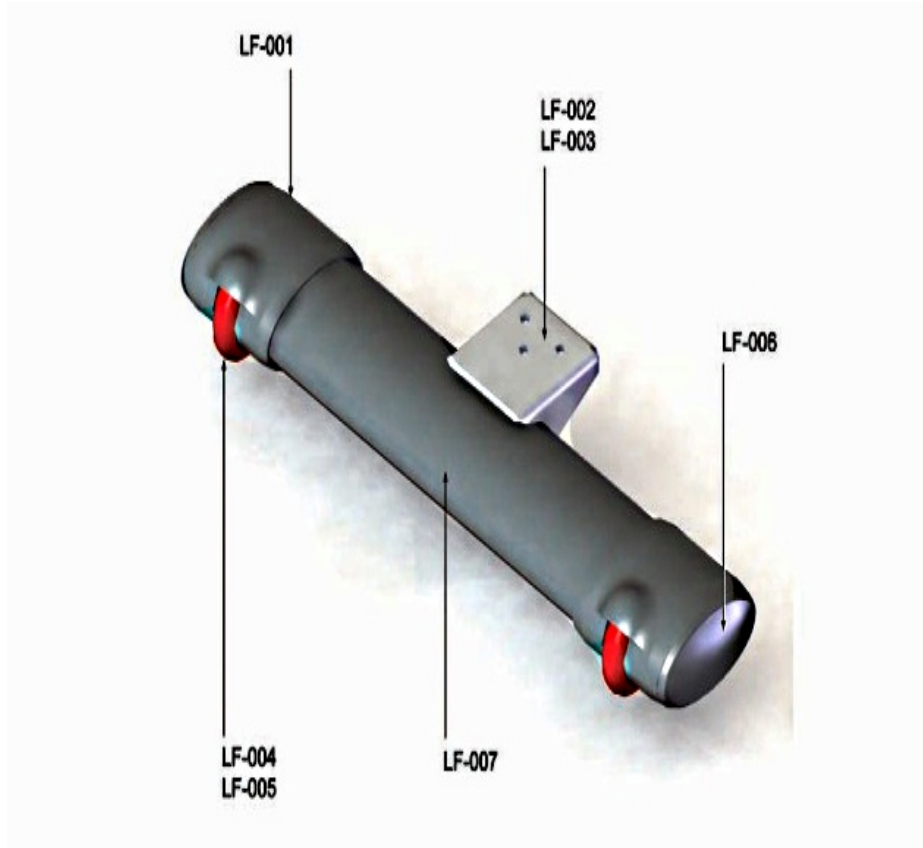
Ref #	Part Number	Qty	Description
HR-001	AK67-00006-0000	1	Handlebar Assembly
HR-002	0017-00101-1920	1	Hardware: Mounting Screw 16MM
HR-003	0017-00103-0341	1	Hardware: Hex Nut 8 MM
HR-004	AK63-00014-0004	2	Heart Rate Electrode
HR-005	0K66-01141-0000	2	Insulator Plug
HR-006	0017-00101-1720	2	Hardware: Mounting Screw 1"
HR-007	AK63-00028-0001	1	LifePulse Cable

Lower Frame - Battery, Leg Leveler and Rear Stabilizer



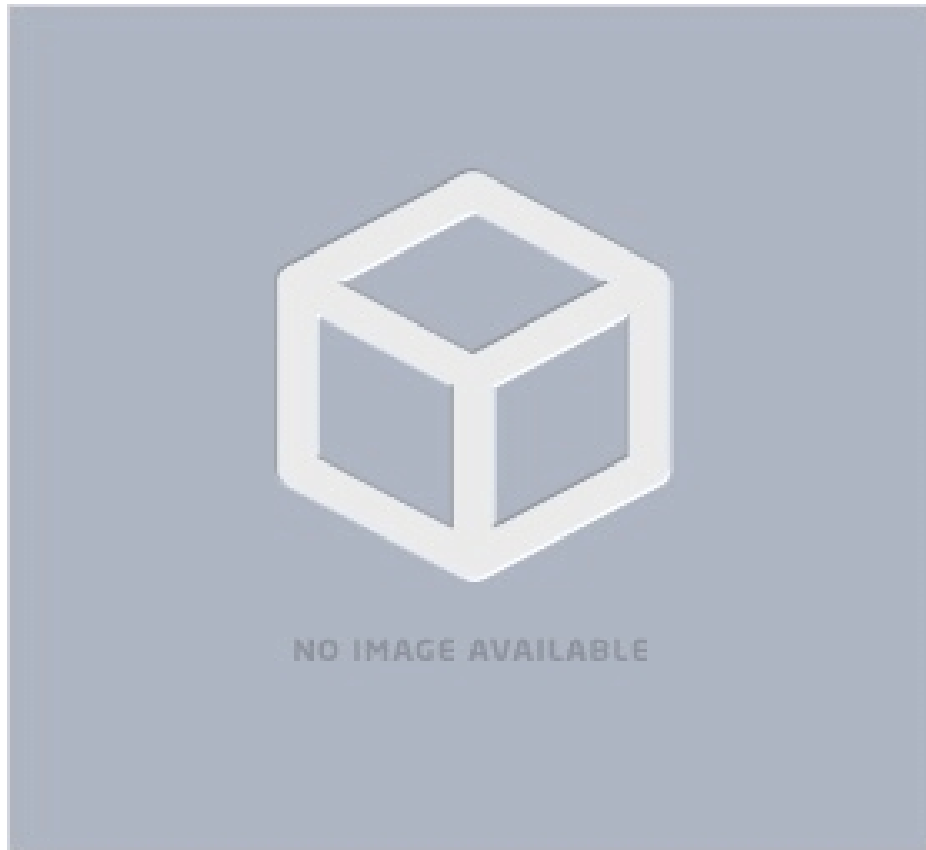
Ref #	Part Number	Qty	Description
LF-008	0017-00003-0685	1	6V Battery
LF-009	0017-00101-2011	1	Hardware: Screw 10MM
LF-010	0K67-01013-0000	1	Seat Post Rack
LF-011	0K66-01131-0000	1	Rear Stabilizer
LF-012	0017-00101-1882	2	Hardware: Stabilizer Mounting Screw 30MM
LF-013	0017-00104-0469	2	Hardware: Flat Washer 16MM OD
LF-014	AK62-00124-0000	2	Leg Leveler
SA-029	0K66-01193-0000	1	BRACKET: FLAT CABLE CLAMP

Lower Frame - Front Stabilizer and Components



Ref #	Part Number	Qty	Description
LF-001	0K66-01041-0000	2	Shorud Stabilizer Front
LF-002	0017-00101-1881	3	Hardware: Screw 20 MM
LF-003	0017-00104-0479	3	Hardware: Flat Washer 25.4MM OD
LF-004	0K66-01039-0000	2	Wheel
LF-005	0K66-01040-0000	1	Wheel Shaft
LF-006	0K66-01042-0000	2	End Cap (Front and Rear)
LF-007	AK66-00016-0000	1	Front Stabilizer

Miscellaneous



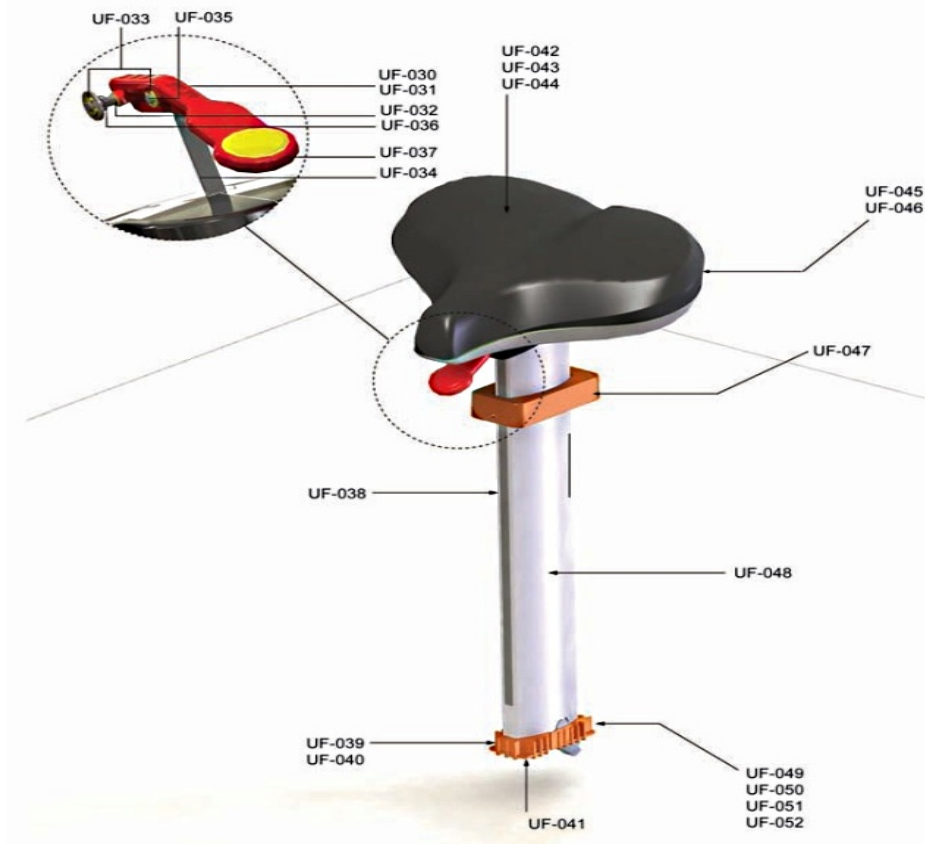
Ref #	Part Number	Qty	Description
MISC-002	0017-00003-1051	1	POWER SUPPLY: 39VDC, 1.66A
MISC-003	0017-00003-0918	1	Line Cord - Australia
MISC-003	0017-00003-0704	1	Line Cord 10A 125 V
MISC-003	0017-00003-0889	1	Line Cord Cont U.K. 10A
MISC-003	0017-00003-0691	1	Line Cord Cont 10A 250 V
MISC-004	0017-00008-0204	1	Paint Spray Can - Arctic Silver
MISC-005	0017-00008-0205	1	5 oz Bottle - Arctic Silver
MISC-006	0017-00008-0206	1	.33oz Pen - Arctic Silver
MISC-007	AK66-00036-0000	1	Bracket Assembly: Power/Coax Input
MISC-008	0K66-01063-0000	1	Power Coax Bracket
MISC-009	0017-00021-2846	1	F-Type Panel Connector
MISC-010	0017-00021-3195	1	COUPLER: CAT5E, SHIELDED, RJ45
MISC-012	AK67-00122-0000	1	ASSY: HARDWARE BAG; UPRIGHT, UNIPLATE

Upper Frame - Monocolumn and Console Mounting Bracket



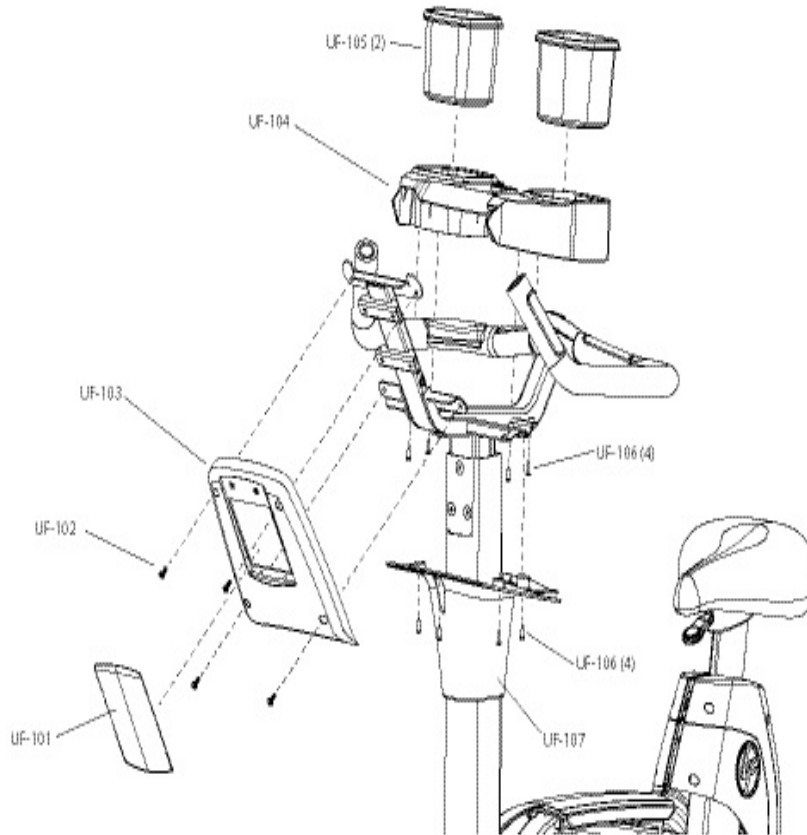
Ref #	Part Number	Qty	Description
UF-001	AK67-00105-0000	1	Console/Handlebar Cable - Upright Bike
UF-002	0017-00101-1986	1	Hardware: Mounting Screw 16MM
UF-003	0017-00104-0460	1	Hardware: Lockwasher 0.562" OD
UF-004	AK67-00029-0000	1	Level Control Assembly
UF-005	0K67-01051-0000	1	Bottom Front Handlebar Cover
UF-006	AK67-00024-0000	1	Console Mounting Bracket Assembly
UF-007	0017-00101-2019	1	Hardware: Mounting Screw 85MM
UF-008	0017-00103-0341	1	Hardware: Hex Nut 8 MM
UF-009	0K67-01129-0000	1	EXTRUSION: MONOCOLUMN; 95C ARC
UF-010	0017-00101-2035	4	Hardware: Mounting Screw
UF-012	0K67-01039-0000	1	Upright Gasket
UF-053	AK66-00158-0000	1	WELD ASSY: NUTPLATE; MONOCOLUMN, UNIPLATE

Upper Frame - Seat and Seat Post Components



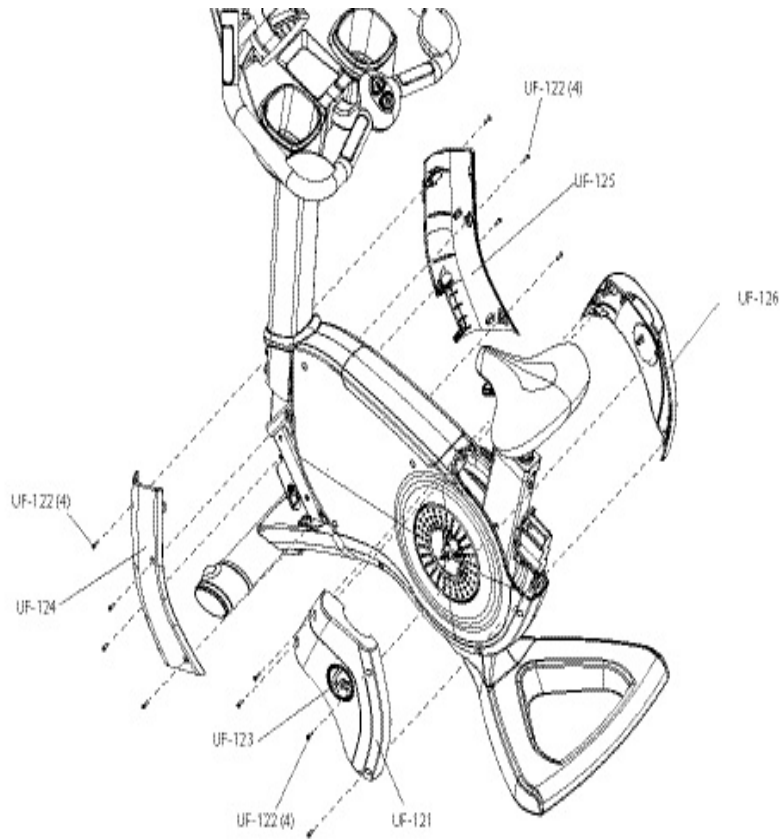
Ref #	Part Number	Qty	Description
UF-030	0K67-01111-0000	1	Up/Down Handle
UF-032	0K67-01112-0000	1	Hardware: Handle Pivot Pin
UF-033	0017-00100-0250	1	E Ring
UF-034	0K67-01008-0000	1	Up/Down Rod
UF-035	0K67-01014-0000	1	Hardware: Rod Pins
UF-036	0017-00009-1285	1	Ware Spring
UF-037	0017-00104-0468	1	Hardware: Washer 18 MM OD
UF-038	0K67-01087-0000	1	Seat Post Decal - Upright
UF-039	0K67-01060-0000	1	Seat Post Guide Base
UF-040	0017-00101-2009	2	Hardware: Mounting Screw 0.75"
UF-041	0017-00042-1131	1	Bumper
UF-042	AK63-00229-0003	1	Deluxe Seat
UF-043	0017-00104-0469	1	Hardware: Flat Washer 16MM OD
UF-044	0017-00101-2007	2	Hardware: Mounting Bolt 16MM
UF-045	0K67-01067-0000	1	Seat Post Shroud
UF-046	0017-00101-2010	2	Hardware: Mounting Screw 0.3125"
UF-047	0K67-01059-0001	1	Seat Post Guide Cap
UF-048	AK67-00003-0001	1	Seat Post Weldment - Upright
UF-049	0K67-01009-0001	1	Up/Down Latch
UF-050	0K67-01010-0000	1	Up/Down Spring
UF-051	0K67-01017-0000	1	Hardware: Latch Pivot Pin
UF-052	0017-00100-0253	1	Retaining Ring

Upper Frame - Shrouds - Console



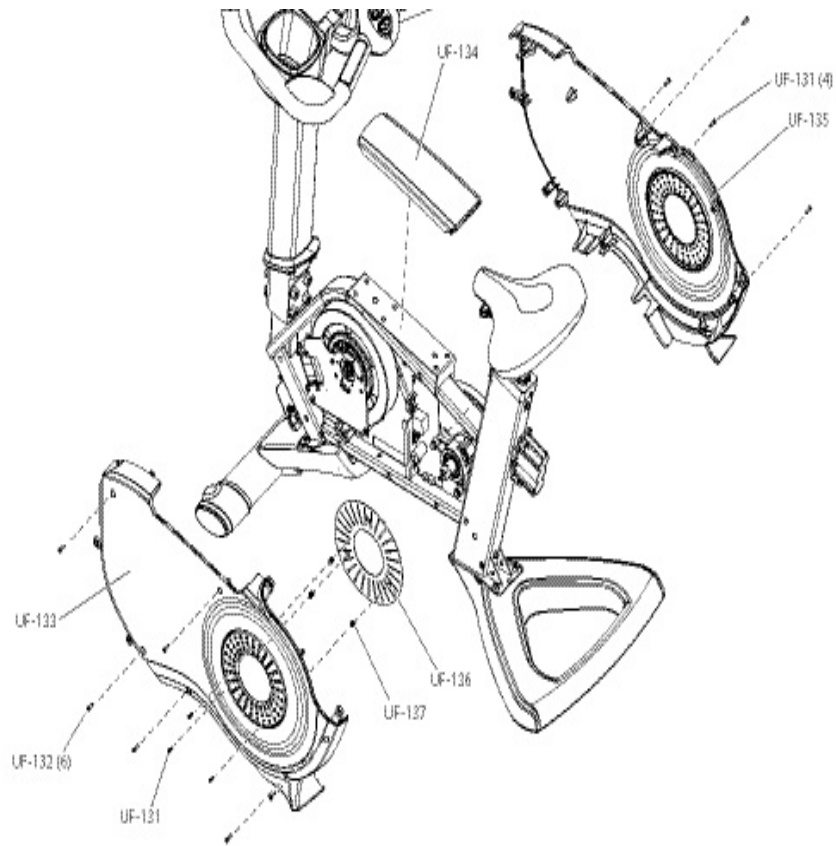
Ref #	Part Number	Qty	Description
UF-101	0K67-01061-0000	1	Console Rear Middle Shroud
UF-102	0017-00101-1940	4	Hardware: Screw 14MM
UF-103	0K67-01040-0000	1	Rear Console Cover
UF-104	AK67-00019-0000	1	Console Shroud Top
UF-105	0K67-01055-0000	2	Accessory: Cupholder
UF-106	0017-00101-1796	8	Hardware: Mounting Screw 19 MM
UF-107	0K67-01041-0000	1	Console Shroud Bottom

Upper Frame - Shrouds - Front and Seat



Ref #	Part Number	Qty	Description
UF-122	0017-00101-1796	12	Hardware: Mounting Screw 19 MM
UF-124	0K67-01033-0000	1	Left Front Shroud
UF-125	AK67-00049-0000	1	Right Front Shroud

Upper Frame - Shrouds - (Left, Right, Step) and GBC Shield



Ref #	Part Number	Qty	Description
UF-131	0017-00101-2103	3	SCR: #6 X 5/8 FLT PHL AB ST BLK
UF-132	0017-00101-1796	10	Hardware: Mounting Screw 19 MM
UF-133	AK67-00033-0008	1	SHROUD/DECAL; MAIN; LIFECYCLE LH NP VENT
UF-134	0K67-01038-0000	1	Step Shroud
UF-135	AK67-00032-0008	1	SHROUD/DECAL; MAIN; LIFECYCLE RH NP VENT
UF-136	0K66-01267-0000	1	SHIELD: SHROUD; GBC
UF-137	0017-00042-1134	3	Grommet

