

95CE-1000-04

## Parts Manual

1/5/2019 9:28:46 AM



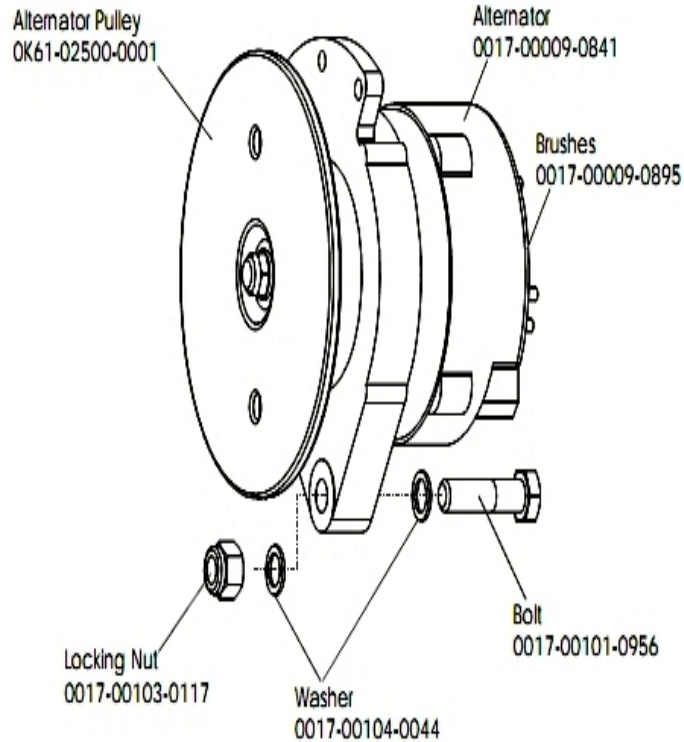
*LifeFitness*  
WHAT WE LIVE FOR

**Table of Contents**

---

<a href="#">Alternator with Pulley Assembly</a> .....	3
<a href="#">Belts</a> .....	4
<a href="#">Cables</a> .....	5
<a href="#">Console</a> .....	6
<a href="#">Console Assembly</a> .....	7
<a href="#">Console Screws and Accessory Tray</a> .....	8
<a href="#">Console Support Assembly</a> .....	9
<a href="#">Crankshaft and Bearing Assembly</a> .....	10
<a href="#">Front Wheels</a> .....	11
<a href="#">Handlebar Assembly</a> .....	12
<a href="#">Idler Bracket Assembly</a> .....	13
<a href="#">Intermediate Shaft and Bearing Assembly</a> .....	14
<a href="#">Left Side Shroud and Crank Arm</a> .....	15
<a href="#">Miscellaneous</a> .....	16
<a href="#">PCB Mounting Bracket Assembly</a> .....	17
<a href="#">Resistor Assembly</a> .....	18
<a href="#">Right Side Shroud and Crank Arm</a> .....	19
<a href="#">Seat Latch Assembly</a> .....	20
<a href="#">Seat Post Assembly</a> .....	21
<a href="#">Seat Post Shrouds</a> .....	22

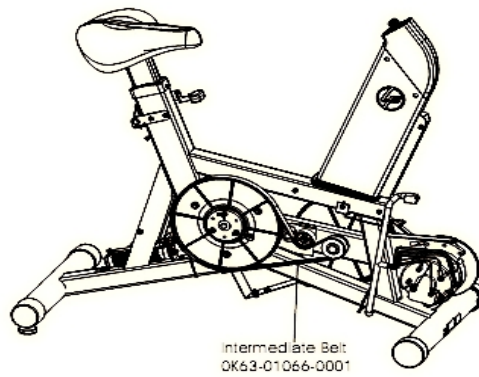
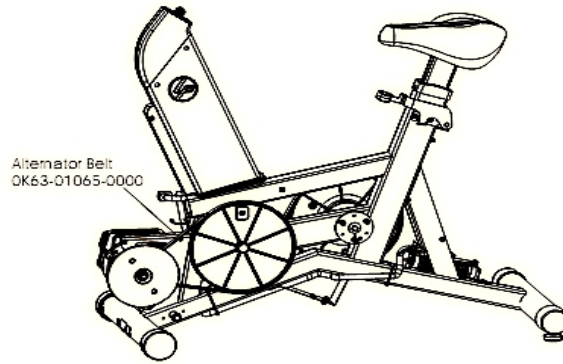
# Alternator with Pulley Assembly



Ref #	Part Number	Qty	Description
-	OK61-01027-0000	1	Flywheel: 6.75" D
-	0017-00103-0117	1	Hardware: Locking Nut 1/2" ID
-	AK63-00093-0000	1	Alternator w/Pulley
-	0017-00101-0956	1	Hardware: Bolt 2"
-	0017-00104-0044	2	Hardware: Washer 0.75" OD
-	0017-00009-0841	1	Alternator
-	0017-00009-0895	1	Alternator Brush Kit

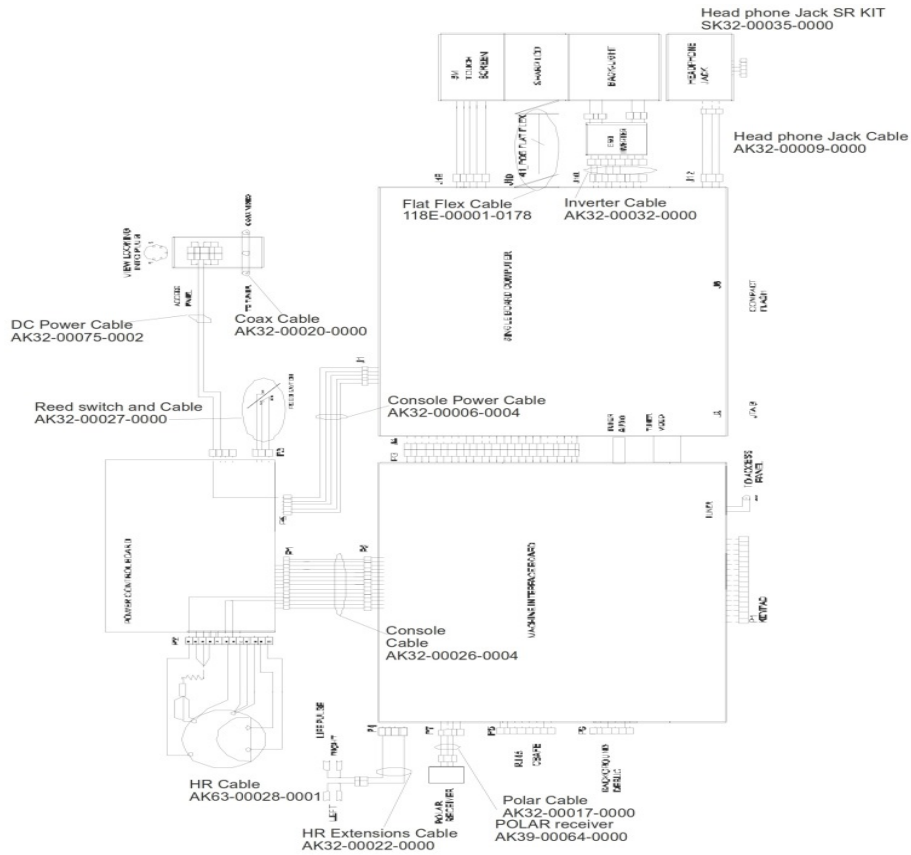
## Belts

---



Ref #	Part Number	Qty	Description
-	OK63-01405-0000	1	BELT: POLY-V; 390J6; 39.00 IN
-	GK63-00002-0079	1	Kit: Upright/Rec Belt And Pulley

## Cables



Ref #	Part Number	Qty	Description
-	AK32-00020-0000	1	68" COAX CABLE
-	AK32-00075-0002	1	DC Power Cable
-	AK32-00026-0004	1	Console Cable
-	AK32-00006-0004	1	Console Power Cable
-	SK32-00035-0000	1	Head phone Jack SR KIT
-	AK32-00027-0000	1	Reed Switch and Cable
-	AK32-00032-0000	1	Inverter Cable
-	AK32-00022-0000	1	Heart Rate Extension Cable
-	118E-00001-0259	1	Wireless Receiver Module, Non-Coded
-	AK32-00009-0000	1	Headphone Jack Cable
-	AK32-00017-0000	1	Polar Cable
-	AK63-00028-0001	1	LifePulse Cable
-	118E-00001-0178	1	Flat Flex Cable

**Console**

---



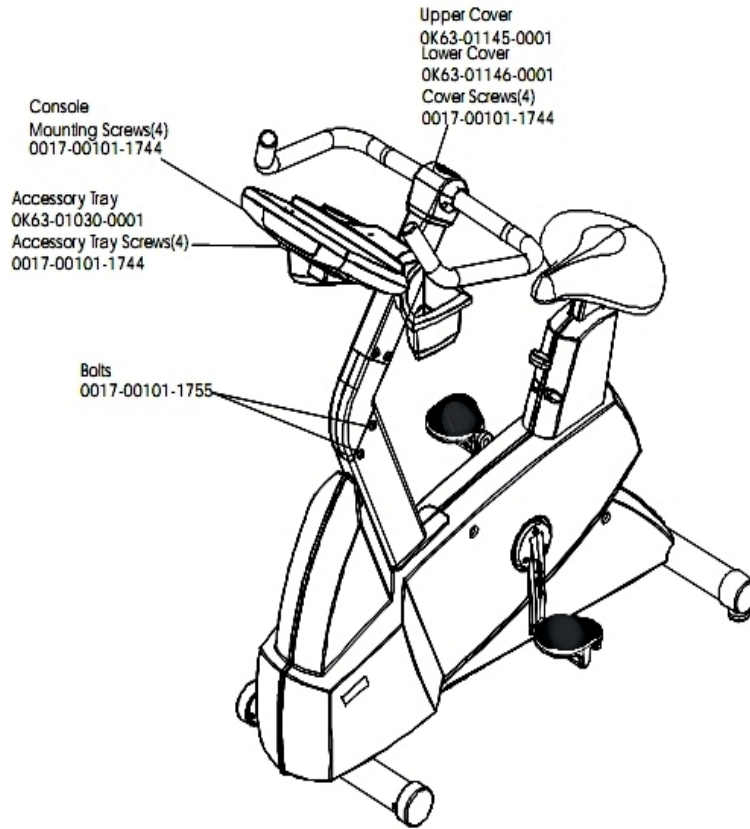
Ref #	Part Number	Qty	Description
-	GK63-00002-0063	1	Console English NTSC with FM
-	AK63-00247-0001	1	Bezel/Switch with Overlay Assembly: English
-	AK63-00247-0003	1	Bezel/Switch with Overlay Assembly: German
-	AK63-00247-0006	1	Bezel/Switch with Overlay Assembly: Japanese
-	GK63-00002-0064	1	Kit: Serv; Console; Mfg; with FM; NTSC; Spanish
-	AK63-00247-0007	1	Bezel/Switch with Overlay Assembly: French
-	GK63-00002-0066	1	KIT: SERV; CONS; MFG; W/FM; NTSC; FRN
-	GK63-00002-0067	1	KIT: SERV; CONS; MFG; W/FM; NTSC; POR
-	AK63-00247-0008	1	Bezel/Switch with Overlay Assembly: Italian
-	AK63-00247-0009	1	Bezel/Switch with Overlay Assembly: Dutch
-	AK63-00247-0010	1	Bezel/Switch with Overlay Assembly: Portugese
-	GK63-00002-0065	1	NLA: KIT: SERV; CONS; MFG; W/FM; NTSC; JAP
-	AK63-00247-0004	1	Bezel/Switch with Overlay Assembly: Spanish

# Console Assembly

---

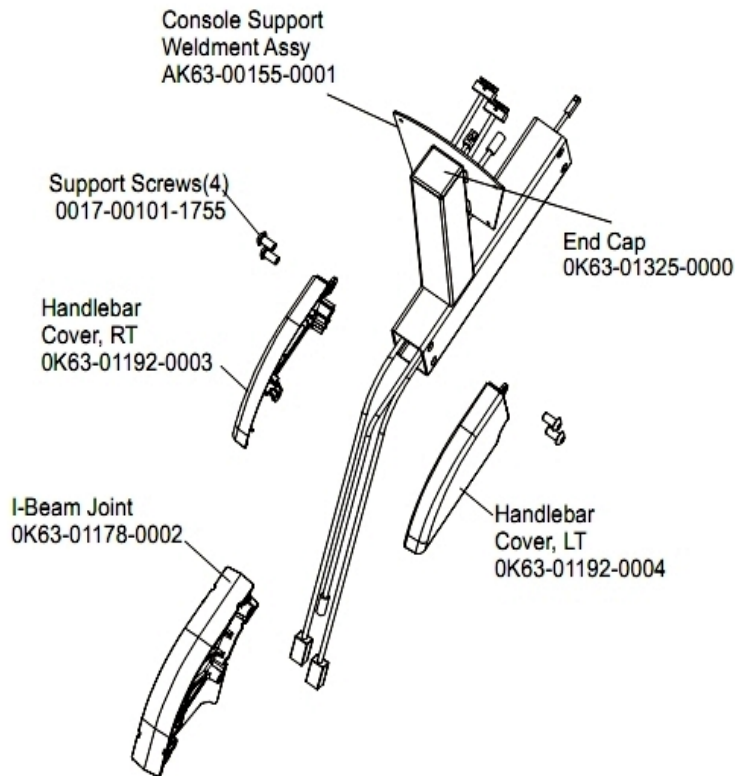
Ref #	Part Number	Qty	Description
-	0K39-01044-0000	1	Tape
-	0017-00101-1843	4	Hardware: Screw
-	0017-00101-1811	1	Hardware: Phillips Pan Screw 0.625"
-	0017-00101-1852	8	Hardware: Screws
-	0017-00042-1160	4	Grommet
-	0K32-01006-0000	1	Bracket
-	AK32-00035-0000	1	Headphone Jack Assembly
-	GK32-00002-0004	1	Inverter Board
-	AK32-00041-0000	1	CONS-CASE W/DECAL ASSY:PURCH.C
-	A084-92251-A012	1	Single Board Computer
-	0017-00101-1814	3	Hardware: Screw
-	A084-92247-A008	1	Interface Boards PAL
-	0017-00101-1242	7	Hardware: Phillips Pan Screw 0.75"
-	0K32-01001-0013	1	LCD Touchscreen Assembly
-	0K32-01001-0013	1	LCD Touchscreen Assembly
-	0K32-01001-0013	1	LCD Touchscreen Assembly
-	0K32-01001-0013	1	LCD Touchscreen Assembly
-	0017-00101-1813	2	Hardware: Inverter Board Screw
-	0017-00103-0084	4	Hardware: Nut
-	A084-92247-A007	1	Interface Boards NTSC
-	118E-00001-0259	1	Wireless Receiver Module, Non-Coded

## Console Screws and Accessory Tray



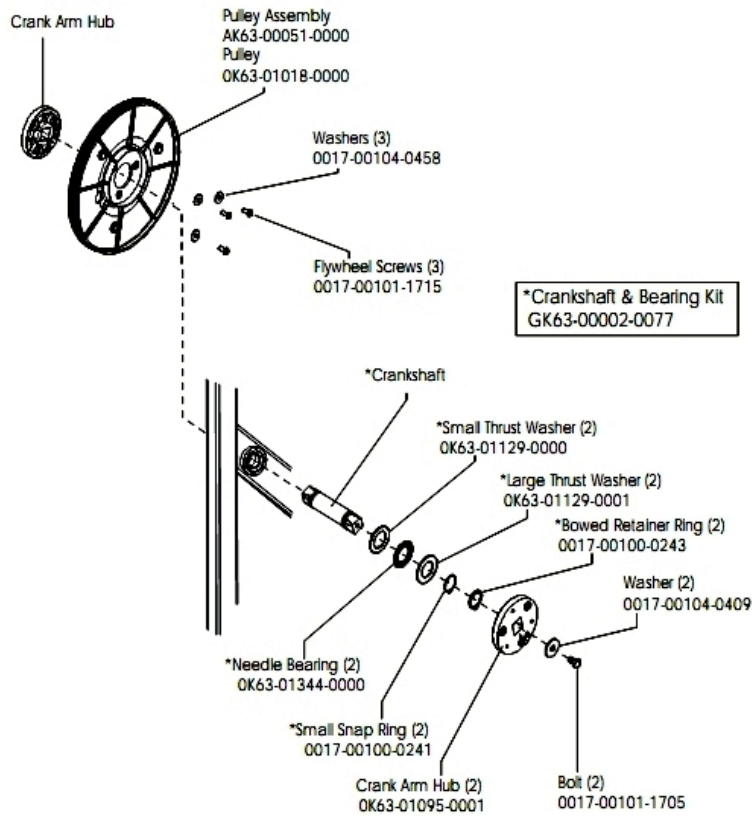
Ref #	Part Number	Qty	Description
-	0K63-01145-0002	1	Upper Cover
-	0017-00101-1744	12	Hardware: Phillips Pan Screw
-	0017-00101-1755	8	Hardware: TORX Bolt 0.75"
-	0K63-01030-0001	1	Accessory Tray
-	0K63-01146-0001	1	Lower Cover

# Console Support Assembly



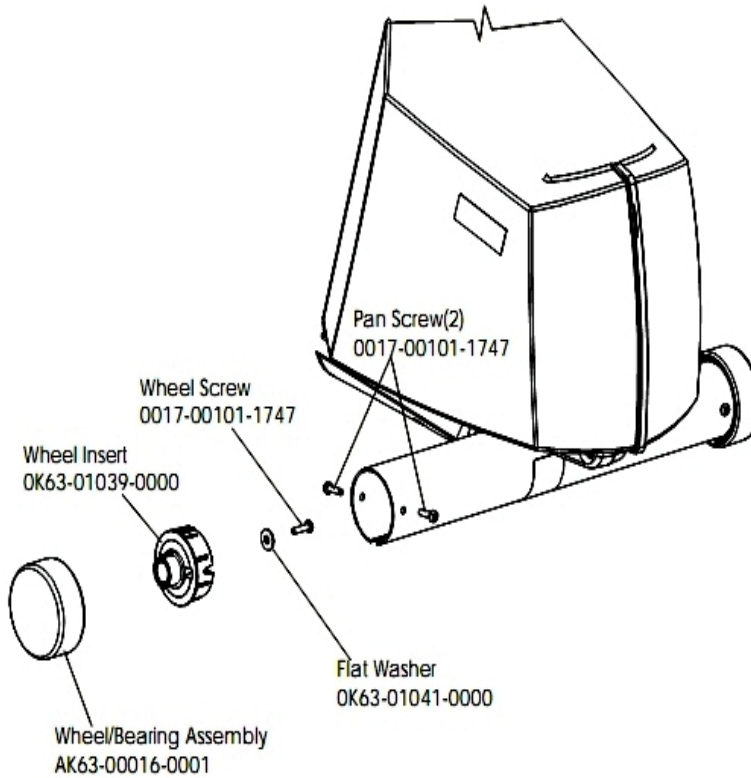
Ref #	Part Number	Qty	Description
-	0017-00101-1755	4	Hardware: TORX Bolt 0.75"
-	OK63-01325-0000	1	End Cap
-	OK63-01192-0004	1	Handlebar Cover Left
-	OK63-01178-0002	1	Console Support Elbow 6"
-	AK63-00155-0001	1	Console Support Weldment Assembly
-	OK63-01192-0003	1	Handlebar Cover Right

# Crankshaft and Bearing Assembly



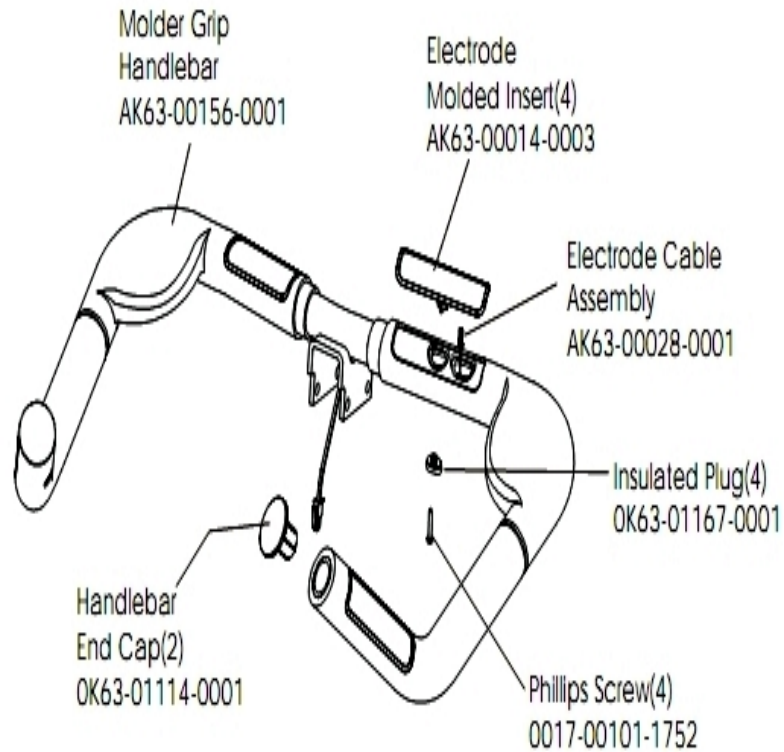
Ref #	Part Number	Qty	Description
-	0017-00101-1715	3	Hardware: TORX Cap Screw 0.625"
-	OK63-01344-0000	2	Hardware: Needle Bearing
-	0017-00100-0243	2	Hardware: Bowed Retaining Ring .984"
-	AK63-00051-0000	1	Pulley Assembly
-	OK63-01129-0000	2	Hardware: Small Thrust Washer
-	OK63-01129-0001	2	Hardware: Large Thrust Washer
-	0017-00104-0409	2	Hardware: Washer 1.125" OD
-	0017-00101-1705	2	Hardware: Bolt 0.5"
-	OK63-01018-0000	1	Crank Pulley
-	0017-00104-0458	3	Hardware: Flat Washer 0.75" OD
-	0017-00100-0241	2	Hardware: Small Snap Ring .984"
-	GK63-00002-0077	1	Crankshaft and Bearing Kit
-	OK63-01095-0001	2	Crank Arm Hub

# Front Wheels



Ref #	Part Number	Qty	Description
-	OK63-01041-0000	2	Hardware: Flat Washer
-	AK63-00016-0001	2	Wheel/Bearing Assembly
-	OK63-01039-0000	2	Wheel Insert
-	0017-00101-1747	6	Hardware: Pan Screw 0.75"
-	AK63-00017-0001	1	Front Wheel Assembly

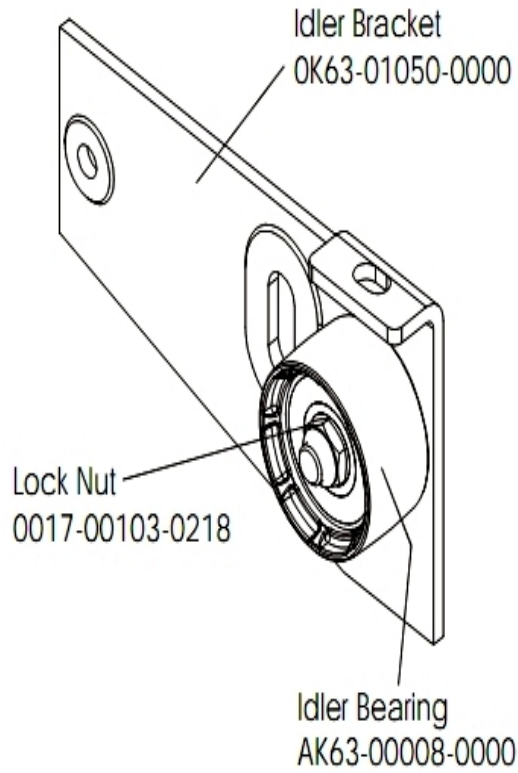
# Handlebar Assembly



Ref #	Part Number	Qty	Description
-	0017-00101-1752	4	Hardware: Phillips Screw 1"
-	AK63-00014-0003	4	Heart Rate Electrode
-	AK63-00028-0001	1	LifePulse Cable
-	AK63-00091-0001	2	Handle Bar
-	OK63-01114-0001	2	Bullhorn Cap
-	OK66-01141-0002	4	Plug: Insulator; Stealth Grey; Purchased

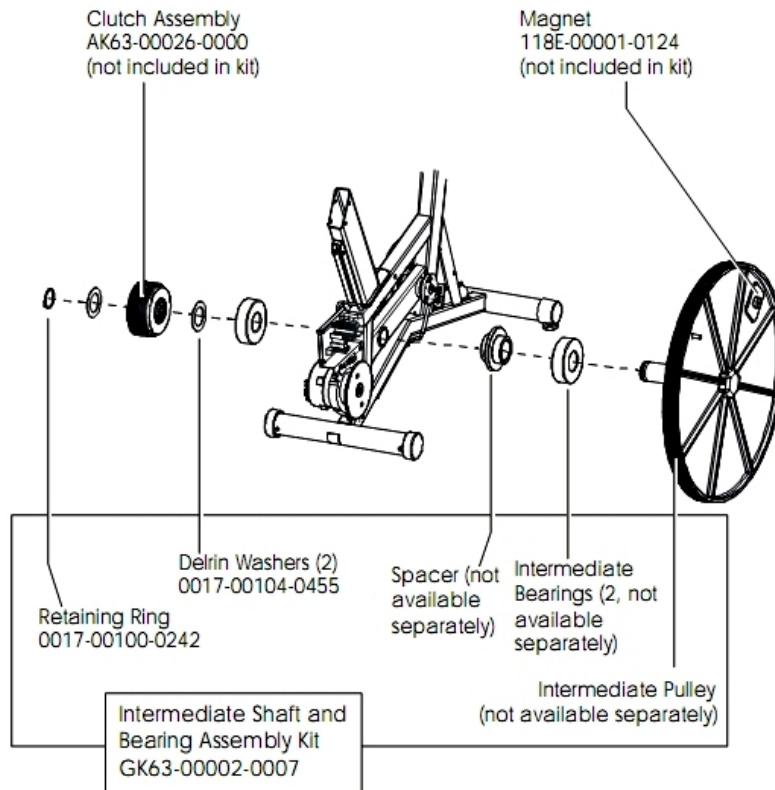
## Idler Bracket Assembly

---



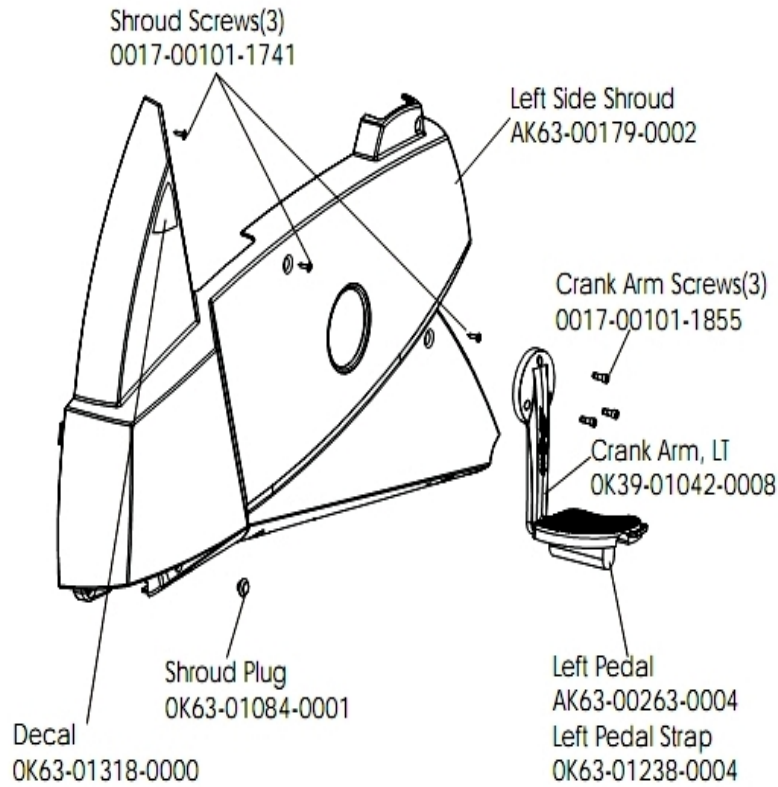
Ref #	Part Number	Qty	Description
-	AK63-00008-0000	1	Idler w/Bearing
-	0K63-01050-0000	1	Idler Bracket
-	AK63-00021-0000	1	Idler Bracket Assembly
-	0017-00103-0218	1	Hardware: Lock Nut 3/8" ID

# Intermediate Shaft and Bearing Assembly



Ref #	Part Number	Qty	Description
-	GK63-00002-0007	1	Intermediate Shaft and Bearing Assembly
-	0017-00100-0242	1	Hardware: Retaining Ring .781"
-	118E-00001-0124	1	Auto-Start Magnet
-	0017-00104-0455	2	Hardware: Delrin Washer 1.250" OD
-	GK63-00002-0079	1	Kit: Upright/Rec Belt And Pulley

# Left Side Shroud and Crank Arm



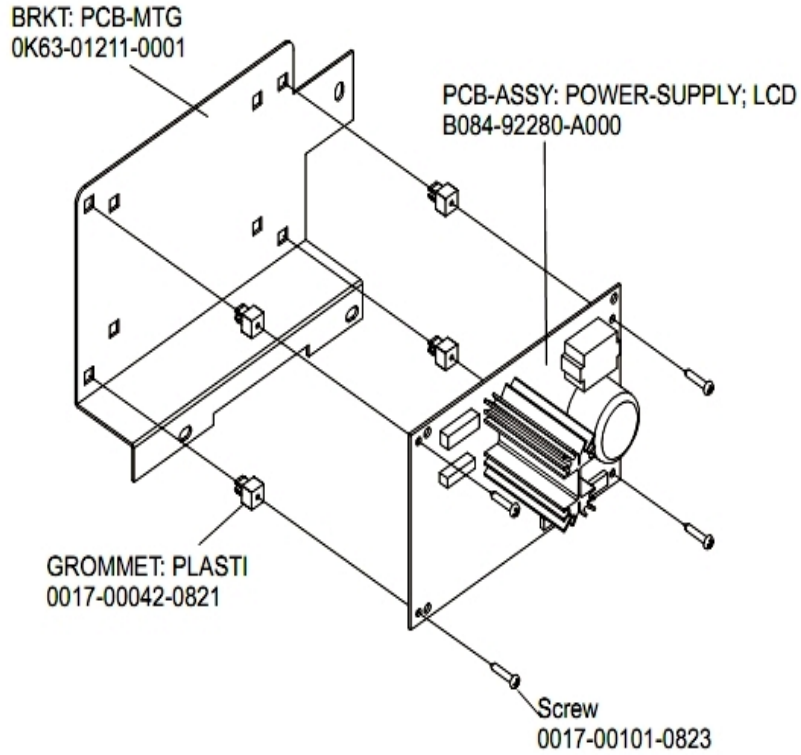
Ref #	Part Number	Qty	Description
-	0017-00101-1741	3	Hardware: Screw
-	OK39-01042-0008	1	Crank Arm: Left
-	OK63-01318-0000	1	Decal
-	AK63-00263-0004	1	Pedal: Left
-	OK63-01238-0004	1	Left Pedal Strap
-	0017-00101-1855	3	Hardware: TORX Screw 0.875"
-	OK63-01084-0001	1	Shroud Plug
-	AK63-00179-0002	1	Left Side Shroud

**Miscellaneous**

---

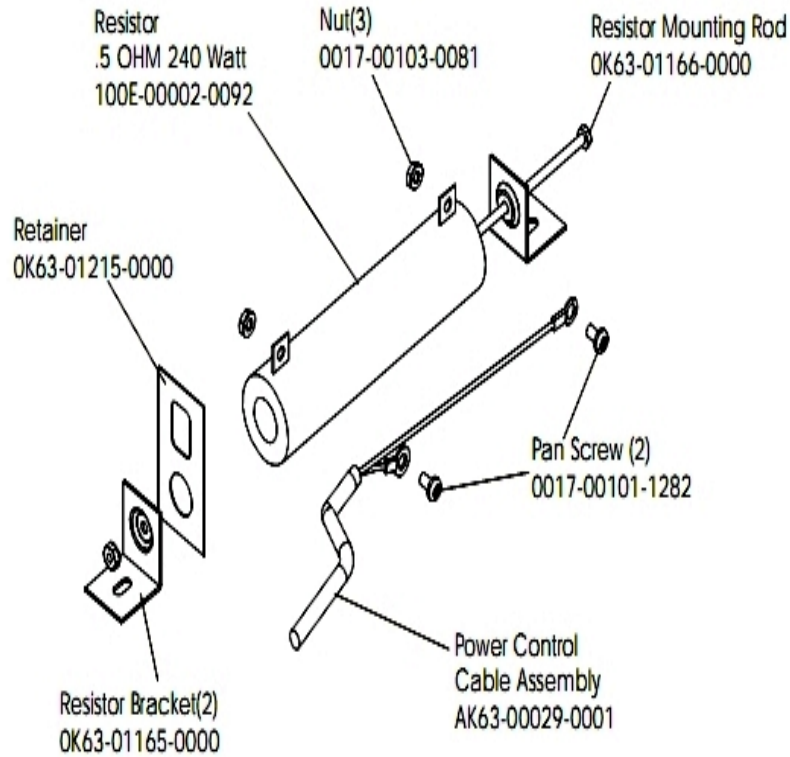
<b>Ref #</b>	<b>Part Number</b>	<b>Qty</b>	<b>Description</b>
-	0017-00008-0205	1	5 oz Bottle - Arctic Silver
-	0017-00008-0204	1	Paint Spray Can - Arctic Silver
-	GK63-00002-0056	1	Hardware Kit
-	0017-00008-0206	1	.33oz Pen - Arctic Silver
-	118E-00001-0161	1	Power Supply 12V 4.5A Without Line Cord
-	0017-00003-0704	1	Line Cord 10A 125 V

# PCB Mounting Bracket Assembly



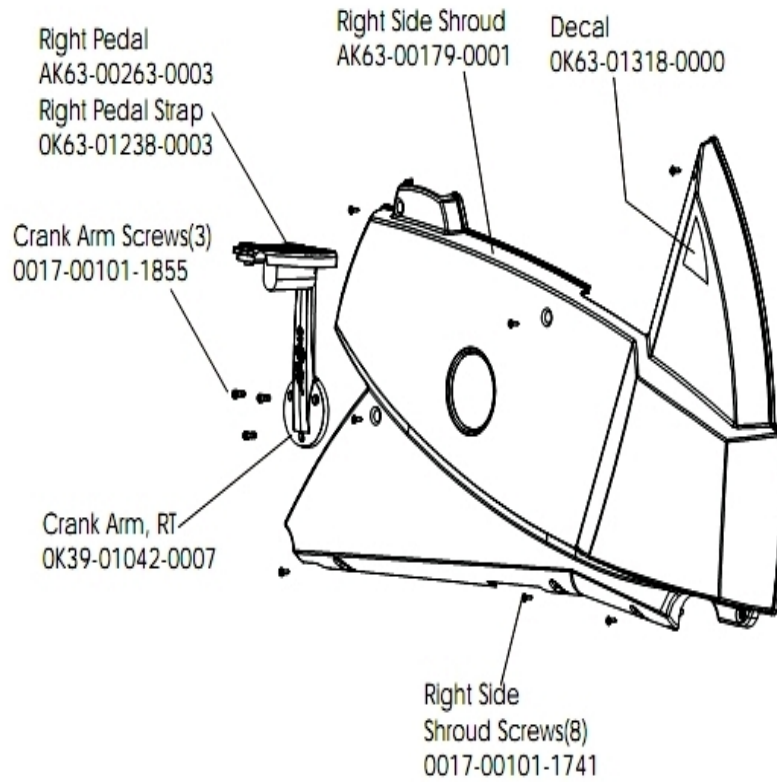
Ref #	Part Number	Qty	Description
-	0017-00042-0821	4	Hardware: Plastic Grommet
-	B084-92280-A000	1	Power Control Board
-	0017-00101-0823	4	Hardware: Screw 0.75"
-	0K63-01211-0001	1	Mounting Bracket

# Resistor Assembly



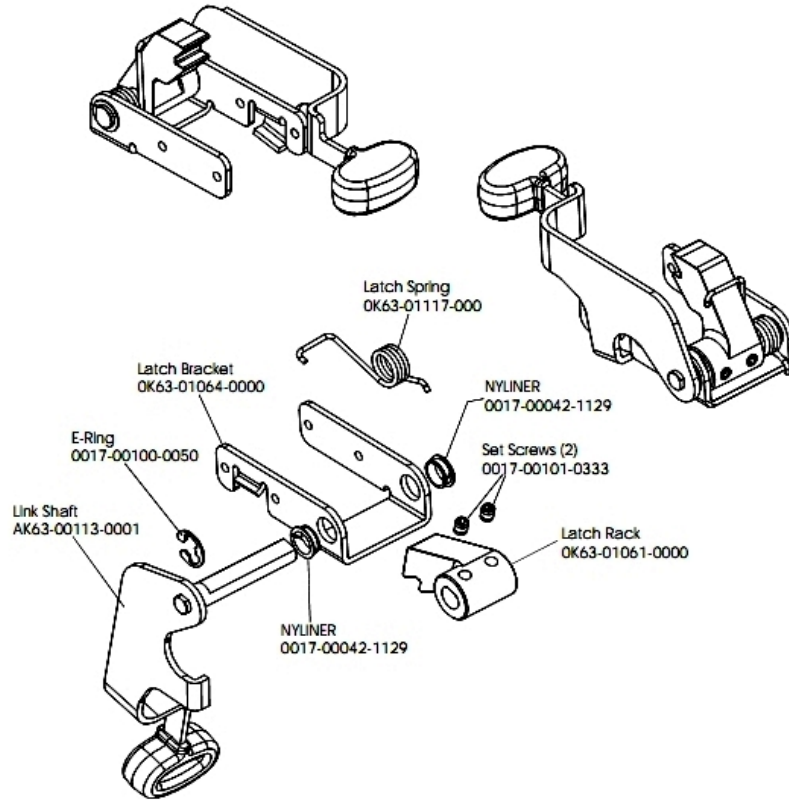
Ref #	Part Number	Qty	Description
-	0017-00103-0081	3	Hardware: Hex Nut ID
-	OK63-01165-0000	2	Resistor Bracket
-	AK63-00029-0001	1	Power Control Cable Assembly
-	OK63-01215-0000	1	Hardware: Resistor Retainer
-	AK63-00047-0001	1	Resistor Assembly
-	100E-00002-0092	1	Resistor .5 OHM 240 Watt
-	0017-00101-1282	2	Hardware: TORX Screw 0.375"
-	OK63-01166-0000	1	Resistor Mounting Rod

## Right Side Shroud and Crank Arm



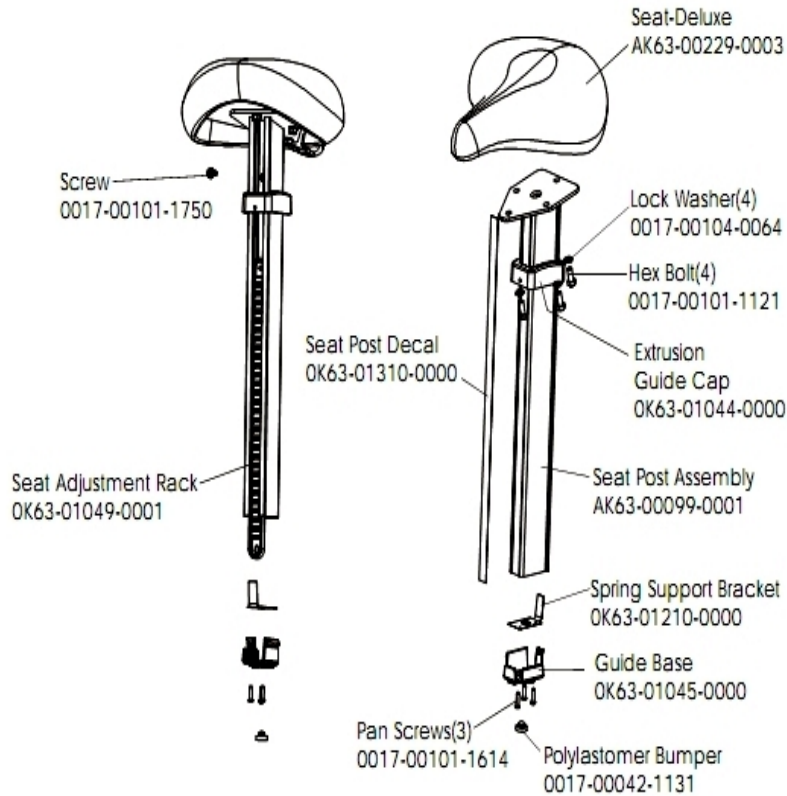
Ref #	Part Number	Qty	Description
-	0017-00101-1855	3	Hardware: TORX Screw 0.875"
-	AK63-00263-0003	1	Pedal: Right
-	OK63-01238-0003	1	Right Pedal Strap
-	0017-00101-1741	8	Hardware: Screw
-	OK39-01042-0007	1	Crank Arm: Right
-	OK63-01318-0000	1	Decal
-	AK63-00179-0001	1	Right Side Shroud

# Seat Latch Assembly



Ref #	Part Number	Qty	Description
-	OK63-01064-0000	1	Latch Bracket
-	OK63-01117-0000	1	Latch Spring
-	AK63-00113-0001	1	Link Shaft Assembly
-	0017-00101-0333	2	Hardware: Screw 0.3125"
-	0017-00042-1129	2	Hardware: Nyliner Ring - 1/2" Diameter
-	0017-00100-0050	1	Hardware: E-Ring .5"
-	AK63-00043-0001	1	Seat Latch Assembly
-	OK63-01061-0000	1	Latch Rack

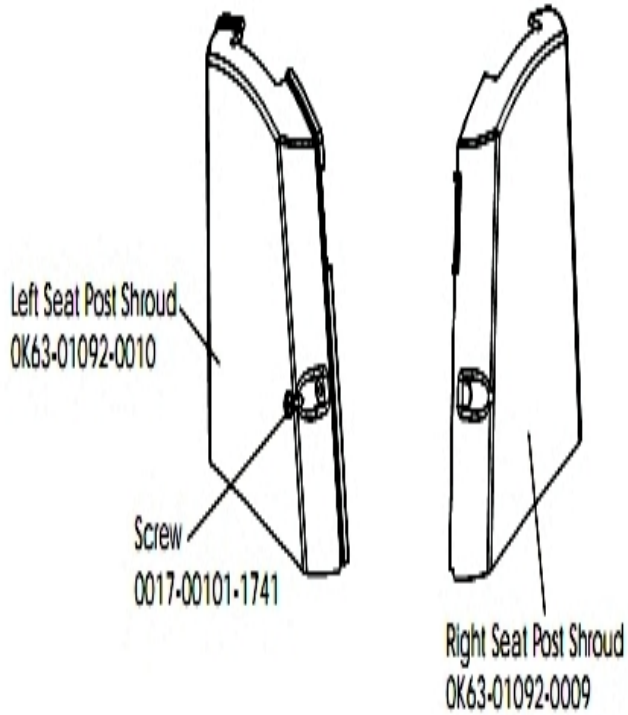
# Seat Post Assembly



Ref #	Part Number	Qty	Description
-	0017-00042-1131	1	Bumper
-	AK63-00229-0003	1	Deluxe Seat
-	OK63-01045-0000	1	Guide Base
-	AK63-00232-0002	1	Seat Post Assembly
-	OK63-01210-0000	1	Spring Support Bracket
-	AK63-00099-0001	1	Seat Post Assembly
-	OK63-01049-0001	1	Seat Adjustment Rack
-	0017-00104-0064	4	Hardware: Lock Washer 0.586" OD
-	OK63-01044-0000	1	Extrusion Guide Cap
-	0017-00101-1121	4	Hardware: Bolt 4.6875"
-	0017-00101-1750	1	Hardware: Screw 0.75"
-	OK63-01310-0000	1	Seat Post Decal
-	0017-00101-1614	3	Hardware: Screw 0.625"

## Seat Post Shrouds

---



Ref #	Part Number	Qty	Description
-	OK63-01092-0010	1	Left Seat Post Shroud
-	OK63-01092-0009	1	Right Seat Post Shroud
-	0017-00101-1741	1	Hardware: Screw

