

Titanium Upright Bike Base

95CXPS-ALLXX-2201

Parts Manual

2/7/2019 10:36:17 AM

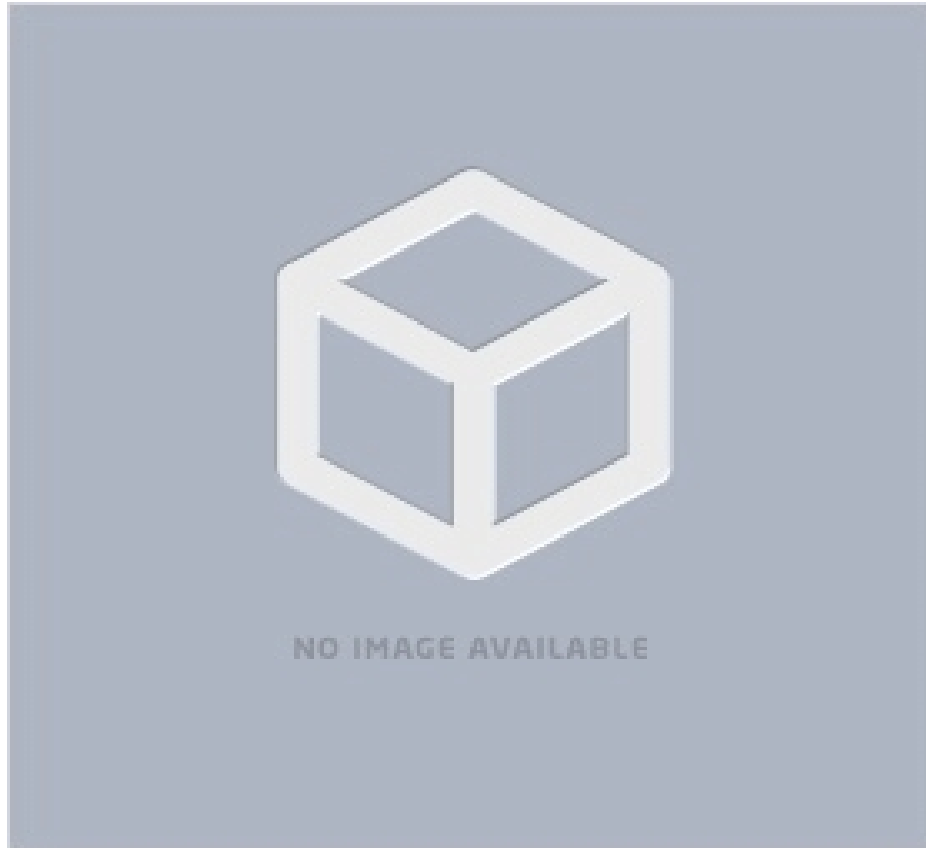


LifeFitness
WHAT WE LIVE FOR

Table of Contents

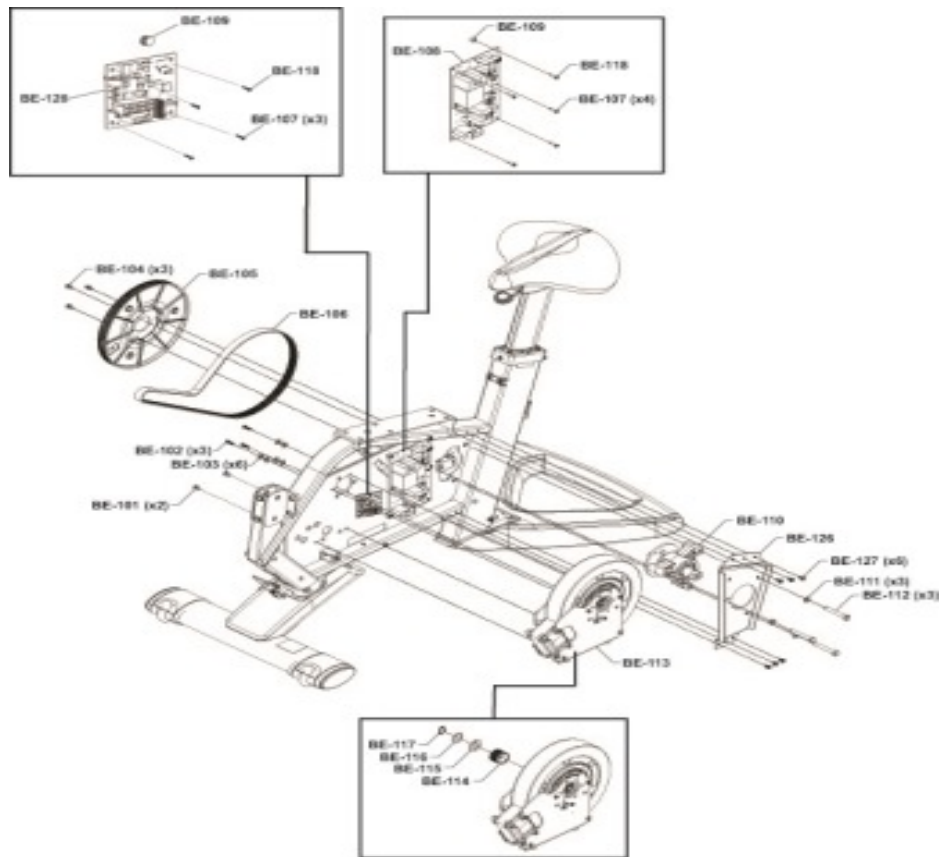
Base Frame Electronics - Cables.....	3
Base Frame Electronics - Generator and Related Components.....	4
Base Frame Electronics - Idler Assembly.....	5
Drive System - Pedals and Cranks.....	6
Heart Rate System - Handlebar and Components.....	7
Lower Frame - Front Stabilizer and Components.....	8
Lower Frame - Leg Leveler and Rear Stabilizer.....	9
Miscellaneous.....	10
Upper Frame - Monocolumn and Console Mounting Bracket.....	11
Upper Frame - Seat and Seat Post Components.....	12
Upper Frame - Shrouds - Console.....	14
Upper Frame - Shrouds - Front and Seat.....	15
Upper Frame - Shrouds - (Left, Right, Step) and GBC Shield.....	16

Base Frame Electronics - Cables



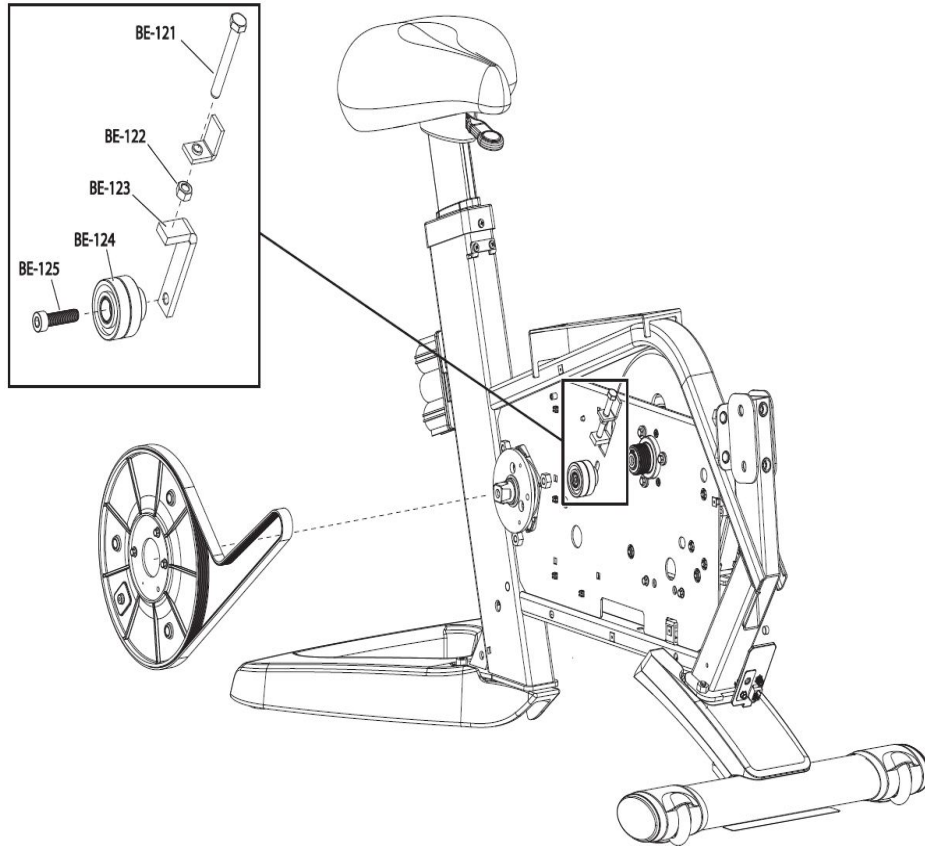
Ref #	Part Number	Qty	Description
CBL-001	AK26-00348-0001	1	Jumper Ground Cable
CBL-002	0K99-01018-0000	1	CABLE: LIFEPULSE TO FITCORE - NONTREAD
CBL-003	AK92-00019-0000	1	CABLE ASSY, MIB POLAR TO POLAR RECEIVER
CBL-004	0K99-01044-0000	1	CABLE: ELEVATION UPRIGHT FITCORE - POWER HUB - GBC
CBL-005	AK69-00106-0000	1	Battery cable
CBL-006	AK65-00062-0002	1	COAX ASSY: RG6; BASE; V2
CBL-007	AK70-00092-0004	1	CABLE ASSY: CAT5E, V2, 63.5 INCH
CBL-008	0017-00003-1091	1	POWER SUPPLY: 24VDC, 5A
CBL-009	AK92-00065-0000	1	EXTERNAL POWER WITH GROUND CABLE ASSEMBLY
CBL-010	AK66-00107-0000	1	Generator/Brake Cable
CBL-011	AK63-00028-0001	2	LifePulse Cable
CBL-012	0K99-01020-0000	1	CABLE: UPRIGHT BIKE TO LIFEPULSE
CBL-013	0017-00003-0685	1	6V Battery

Base Frame Electronics - Generator and Related Components



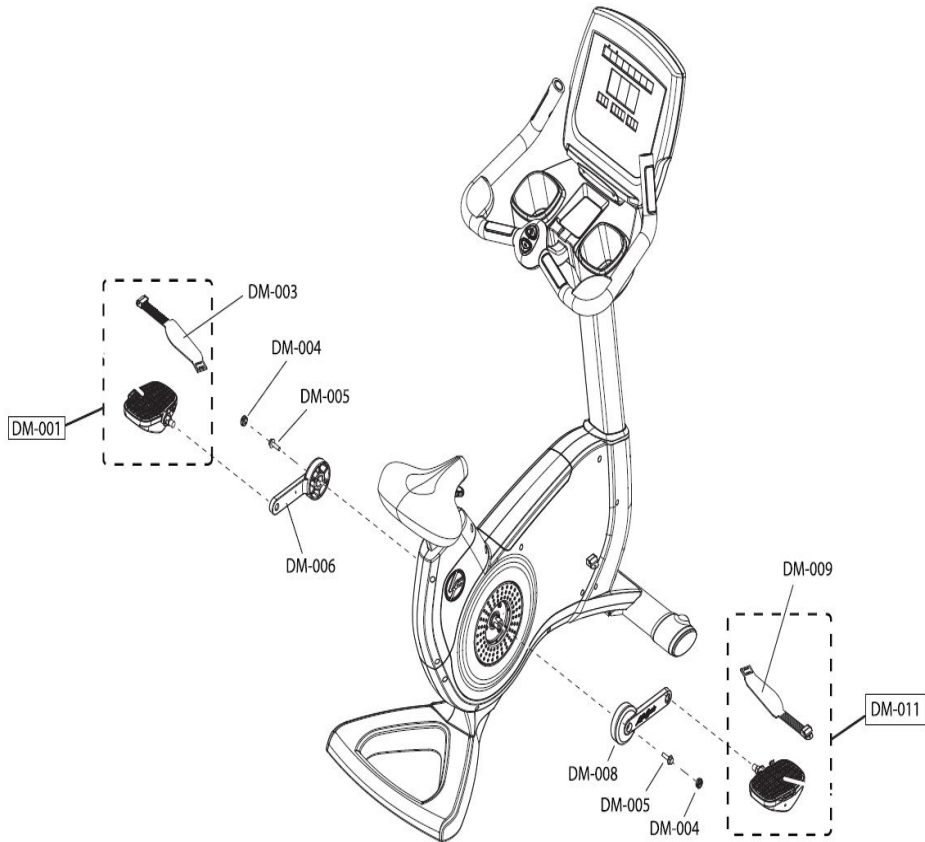
Ref #	Part Number	Qty	Description
BE-101, BE-104	0017-00101-2102	5	SCR: M5 X 0.8 6G6G X 10 HEX FLG L CS ST
BE-102	0017-00101-1894	3	Hardware: Idler Assembly Mounting Bolt 16MM
BE-103	0017-00104-0330	6	Hardware: Flat Washers 0.562" OD
BE-105	0K76-01068-0000	1	Pulley
BE-106	0017-00009-1323	1	BELT: POLYV; 460J8, STANDARD
BE-107	0017-00101-1838	4	Hardware: Mounting Screw 19 MM
BE-108	A084-92389-0001	1	PROGRAMMED PCB: B084-92389-0001
BE-109	0017-00042-1229	1	SPACER: ROUND PLASTIC
BE-110	AK66-00151-0000	1	HUB ASSY: CRANKSHAFT, UNIPLATE
BE-111	0017-00104-0469	3	Hardware: Flat Washer 16MM OD
BE-112	0017-00101-2002	3	Hardware: Tension Bolt 60MM
BE-113	AK66-00172-0000	1	ASSY: GENERATOR/PULLEY; UNIPLATE, AP1/AP2, MFG.
BE-114	AK66-00165-0000	1	PULLEY ASSY: W/CLUTCH, UNIPLATE, ISO/DIN
BE-115	0K66-01237-0000	1	Hardware: Shaft Washer Large
BE-116	0017-00104-0498	1	Hardware: Shaft Washer Small .734" OD
BE-117	0017-00100-0257	1	Retaining Ring
BE-118	0017-00101-1874	1	Hardware: Handle Mounting Screw 16 MM
BE-128	A084-92512-0000	3	PROGRAMMED PCB: B084-92512-0000

Base Frame Electronics - Idler Assembly



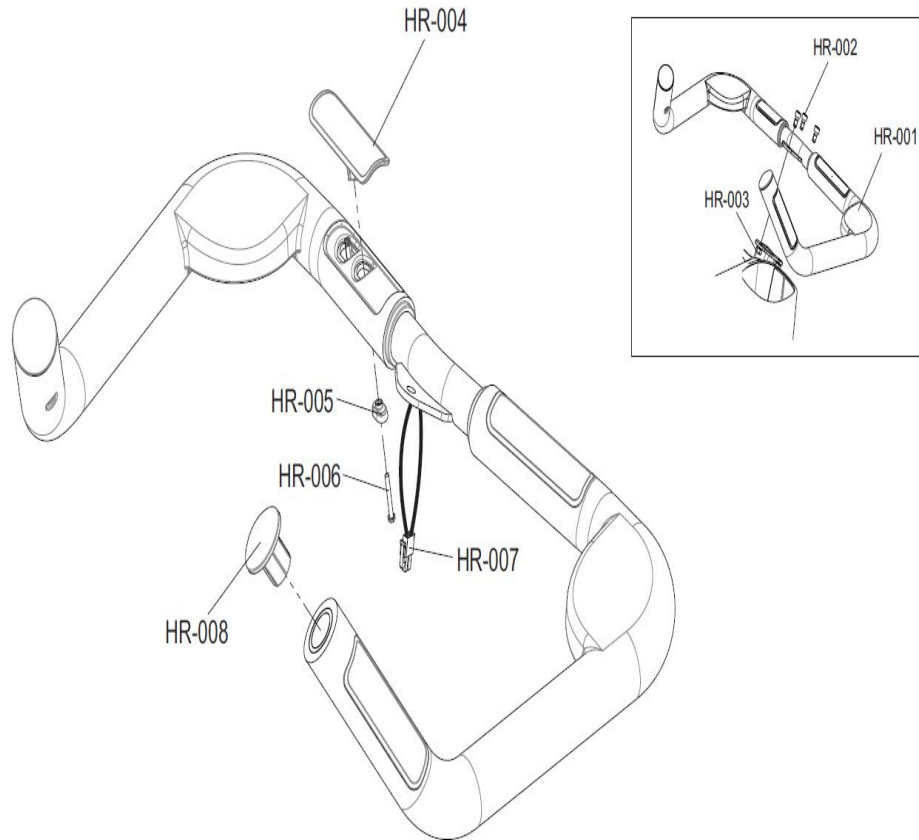
Ref #	Part Number	Qty	Description
BE-121	0017-00101-2002	1	Hardware: Tension Bolt 60MM
BE-122	0017-00103-0328	1	Hardware: Nut 8 MM ID
BE-123	0K66-01254-0000	1	BRKT: TENSIONER
BE-124	AK66-00173-0000	1	ASSY: IDLER & POST; AP1/AP2, MFG.
BE-125	0017-00101-1982	1	Hardware: Mounting Bolt 35MM

Drive System - Pedals and Cranks



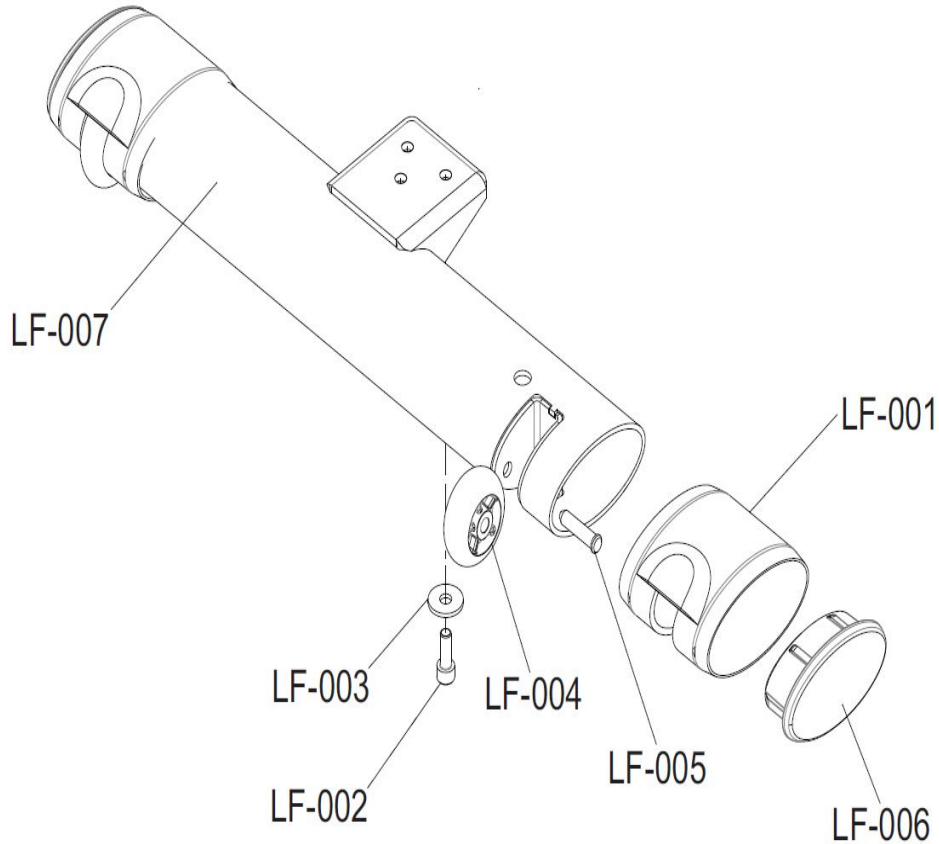
Ref #	Part Number	Qty	Description
DM-001	AK66-00048-0701	1	PEDAL ASSY: W/STRAP, STANDARD, LEFT, BLACK
DM-003	AK66-00135-0700	1	STRAP ASSY: PEDAL; LEFT; BLK
DM-004	0K66-01121-2400	2	CAP: CRANK, CHARCOAL GRAY
DM-005	0017-00101-2077	2	Hardware: Screw 30MM
DM-006	0K76-01053-2200	1	{0K76-01053-2200}CRANK ARM LEFT { TITN=TITANIUM }
DM-008	0K76-01054-2200	1	{B579} CRANK ARM RIGHT {TTN-TITANIUM}
DM-009	AK66-00136-0700	1	STRAP ASSY: PEDAL; RIGHT; BLK
DM-011	AK66-00047-0701	1	PEDAL ASSY: W/STRAP, STANDARD, RIGHT, BLACK

Heart Rate System - Handlebar and Components



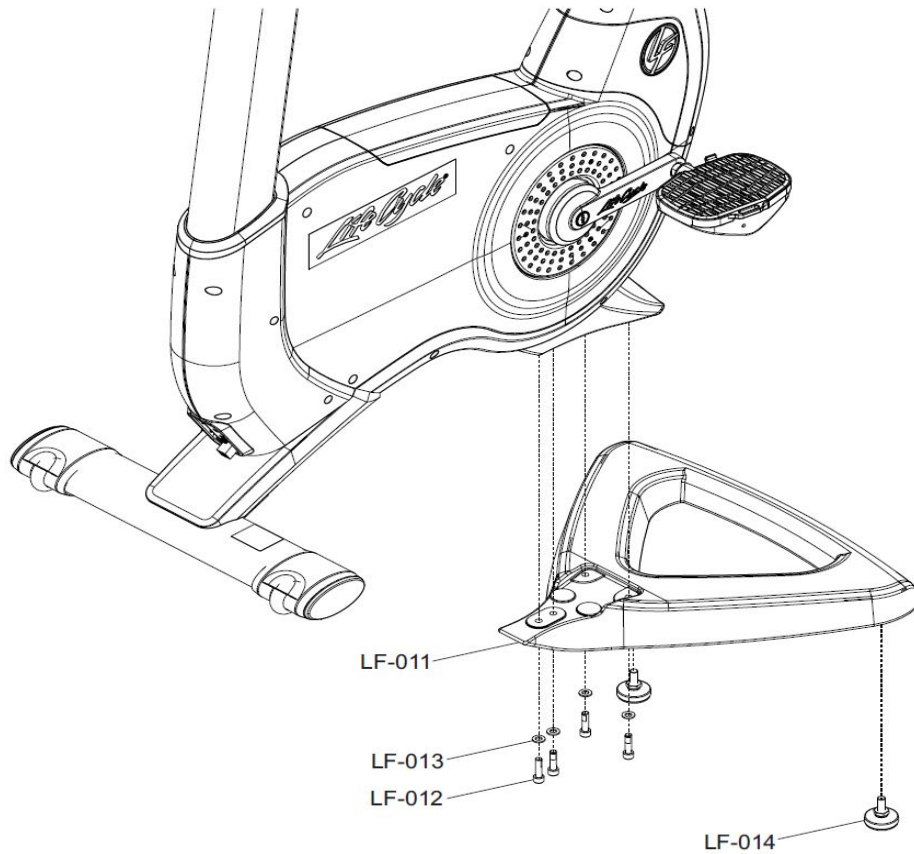
Ref #	Part Number	Qty	Description
HR-001	AK67-00006-0700	1	HANDLEBAR ASSY: UPRIGHT; W/ELECTRODE; BLACK
HR-002	0017-00101-1920	1	Hardware: Mounting Screw 16MM
HR-003	0017-00103-0341	1	Hardware: Hex Nut 8 MM
HR-004	AK63-00014-2404	2	ELECTRODE: INSERT MOLDED; CHGR
HR-005	0K66-01141-0001	2	PLUG: INSULATOR, BLACK
HR-006	0017-00101-1720	2	Hardware: Mounting Screw 1"
HR-007	AK63-00028-0001	1	LifePulse Cable
HR-008	0K63-01114-0000	2	Cap

Lower Frame - Front Stabilizer and Components



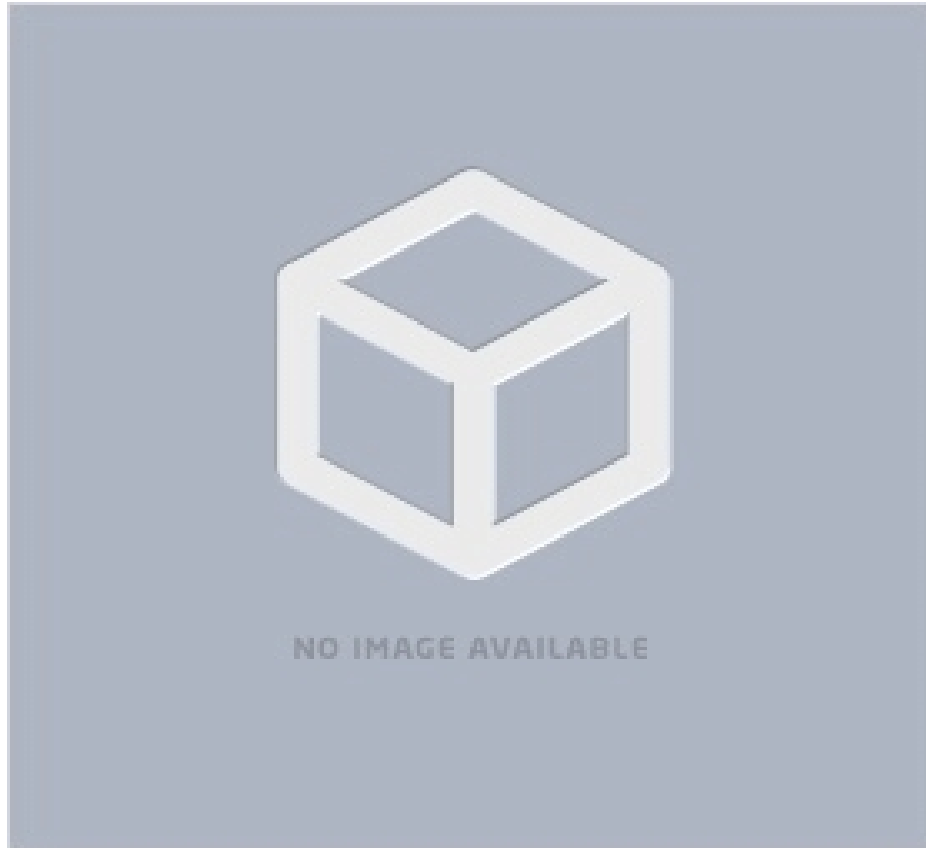
Ref #	Part Number	Qty	Description
LF-001	0K66-01041-0700	2	SHROUD: FRONT STABILIZER, BLACK
LF-002	0017-00101-1881	3	Hardware: Screw 20 MM
LF-003	0017-00104-0479	3	Hardware: Flat Washer 25.4MM OD
LF-004	0K66-01039-0000	2	Wheel
LF-005	0K66-01040-0000	1	Wheel Shaft
LF-006	0K66-01042-0700	2	END CAP: FRONT STABILIZER; BLK
LF-007	AK66-00016-2400	1	FRONT STABILIZER: PAINTED; CHGR

Lower Frame - Leg Leveler and Rear Stabilizer



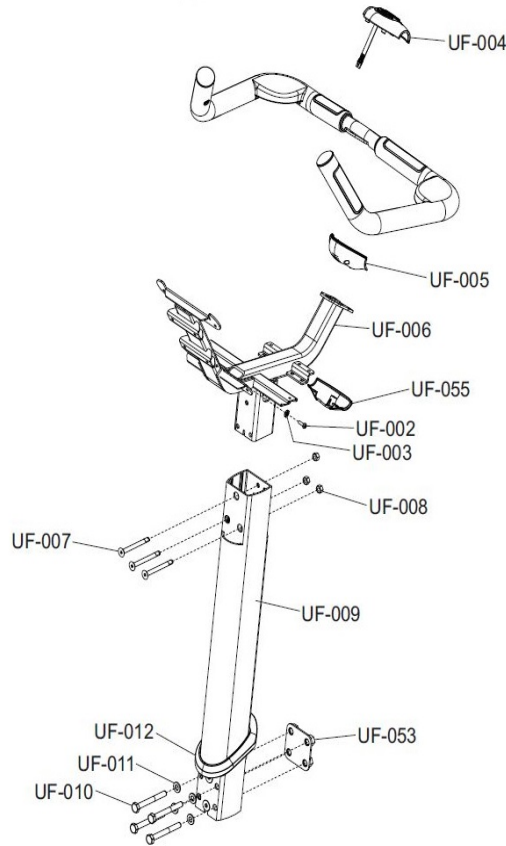
Ref #	Part Number	Qty	Description
LF-011	0K67-01124-2400	1	STABILIZER: BIKE; REAR; CHGR
LF-012	0017-00101-1882	4	Hardware: Stabilizer Mounting Screw 30MM
LF-013	0017-00104-0469	4	Hardware: Flat Washer 16MM OD
LF-014	AK62-00124-0000	2	Leg Leveler

Miscellaneous



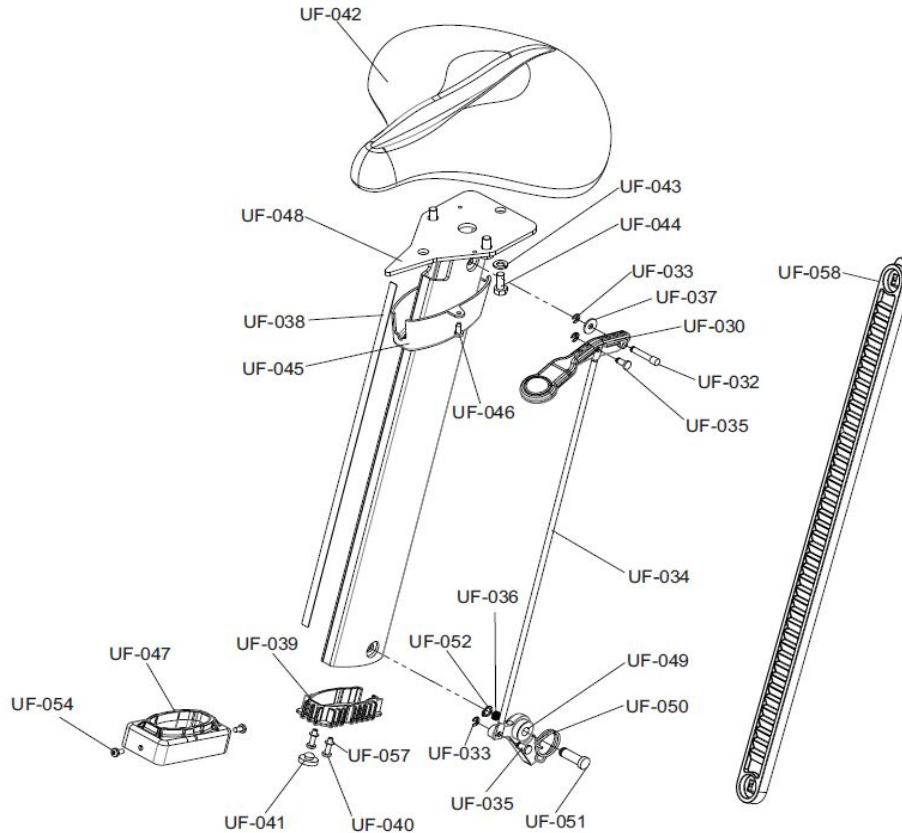
Ref #	Part Number	Qty	Description
MISC-002	0017-00003-1091	1	POWER SUPPLY: 24VDC, 5A
MISC-003	0017-00003-0889	1	Line Cord Cont U.K. 10A
MISC-003	0017-00003-0918	1	Line Cord - Australia
MISC-003	0017-00003-0704	1	Line Cord 10A 125 V
MISC-003	0017-00003-1053	1	LINE-CORD: BRAZIL, IEC-C13
MISC-003	0017-00003-0691	1	Line Cord Cont 10A 250 V
MISC-007	AK66-00161-2400	1	BRKT ASSY: POWER/COAX INPUT; CHGR
MISC-009	0017-00021-2846	1	F-Type Panel Connector
MISC-010	0017-00021-3195	1	COUPLER: CAT5E, SHIELDED, RJ45
MISC-016	0017-00008-0227	1	TITANIUM AEROSOL PAINT
MISC-017	0017-00008-0228	1	LIFE FITNESS TITANIUM, BRUSH BOTTLE
MISC-020	0017-00008-0231	1	CHARCOAL GRAY AEROSOL
MISC-021	0017-00008-0232	1	CHARCOAL GRAY TOUCH UP

Upper Frame - Monocolumn and Console Mounting Bracket



Ref #	Part Number	Qty	Description
UF-002	0017-00101-1986	1	Hardware: Mounting Screw 16MM
UF-003	0017-00104-0460	1	Hardware: Lockwasher 0.562" OD
UF-004	AK67-00029-2400	1	ASSY: LEVEL CONTROL; UPRIGHT; CHGR
UF-005	0K67-01051-2400	1	COVER: HANDLEBAR; BOTTOM; FRONT; CHGR
UF-006	AK67-00048-2400	1	FRAME: CONSOLE MTG ASSY; UPRIGHT; CHGR
UF-007	0017-00101-2019	1	Hardware: Mounting Screw 85MM
UF-008	0017-00103-0341	1	Hardware: Hex Nut 8 MM
UF-009	0K67-01129-2200	1	
UF-010	0017-00101-2035	4	Hardware: Mounting Screw
UF-011	0017-00104-0470	4	Hardware: Washer 20 MM OD
UF-012	0K67-01039-0700	1	GASKET: UPRIGHT; BLK
UF-053	AK66-00158-0000	1	WELD ASSY: NUTPLATE; MONOCOLUMN, UNIPLATE
UF-055	0K67-01052-2400	1	COVER: HANDLEBAR; BOTTOM; REAR; CHGR

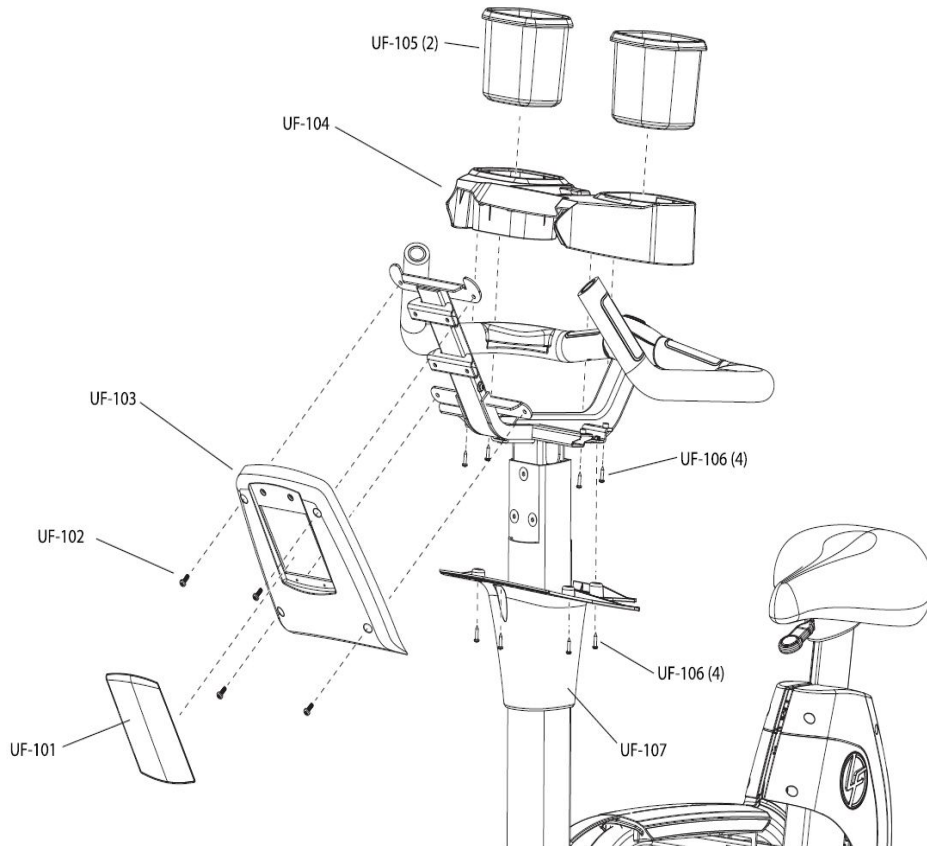
Upper Frame - Seat and Seat Post Components



Ref #	Part Number	Qty	Description
UF-030	0K67-01111-0000	1	Up/Down Handle
UF-032	0K67-01112-0000	1	Hardware: Handle Pivot Pin
UF-033	0017-00100-0250	1	E Ring
UF-034	0K67-01008-0000	1	Up/Down Rod
UF-035	0K67-01014-0000	1	Hardware: Rod Pins
UF-036	0017-00009-1285	1	Ware Spring
UF-037	0017-00104-0468	1	Hardware: Washer 18 MM OD
UF-038	0K67-01087-0000	1	Seat Post Decal - Upright
UF-039	0K67-01060-0000	1	Seat Post Guide Base
UF-040	0017-00101-1747	2	Hardware: Pan Screw 0.75"
UF-041	0017-00042-1131	1	Bumper
UF-042	AK63-00229-0001	1	Seat-Deluxe
UF-043	0017-00104-0064	1	Hardware: Lock Washer 0.586" OD
UF-044	0017-00101-1121	2	Hardware: Bolt 4.6875"
UF-045	0K67-01147-2400	1	SHROUD: UPRIGHT SEATPOST;AP3, CHGR
UF-046	0017-00101-1776	2	Hardware: Mounting Screw 0.5"
UF-047	0K67-01146-0000	1	GUIDE CAP: SEAT POST
UF-048	AK67-00130-0002	1	WELDMENT: SEATPOST ASSY; AP3,BLACK
UF-049	0K67-01009-0001	1	Up/Down Latch
UF-050	0K67-01010-0000	1	Up/Down Spring
UF-051	0K67-01017-0000	1	Hardware: Latch Pivot Pin
UF-052	0017-00100-0253	1	Retaining Ring

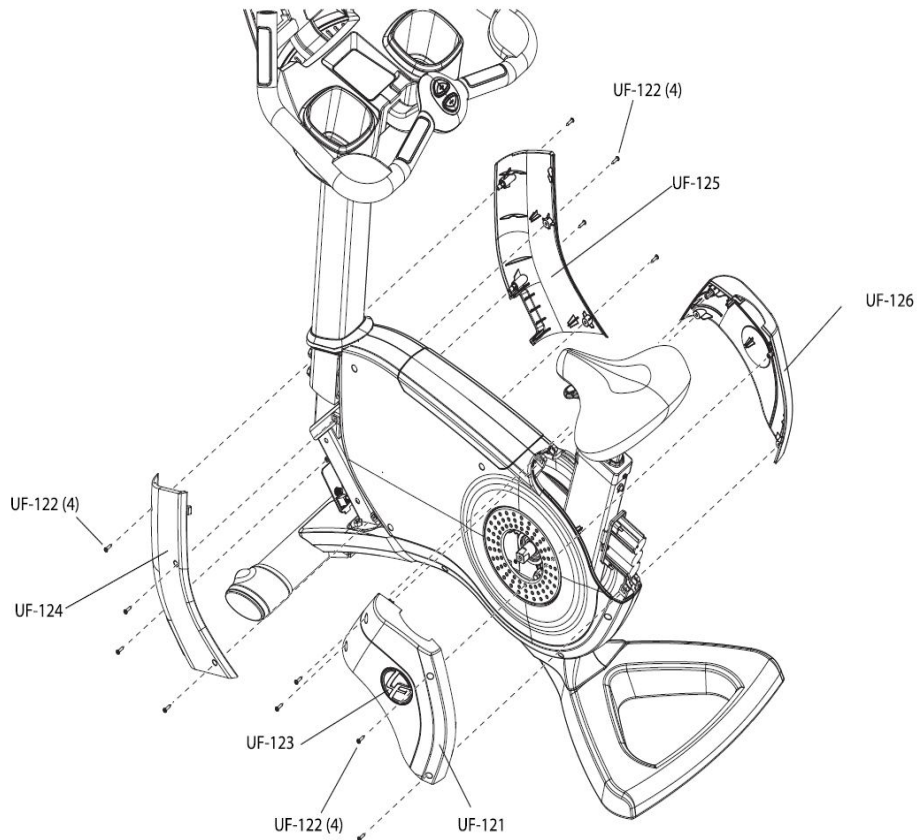
Ref #	Part Number	Qty	Description
UF-054	0017-00101-2011	2	Hardware: Screw 10MM
UF-057	0017-00104-0411	2	Hardware: Flat Washer 0.375" OD
UF-058	0K67-01013-0000	1	Seat Post Rack

Upper Frame - Shrouds - Console



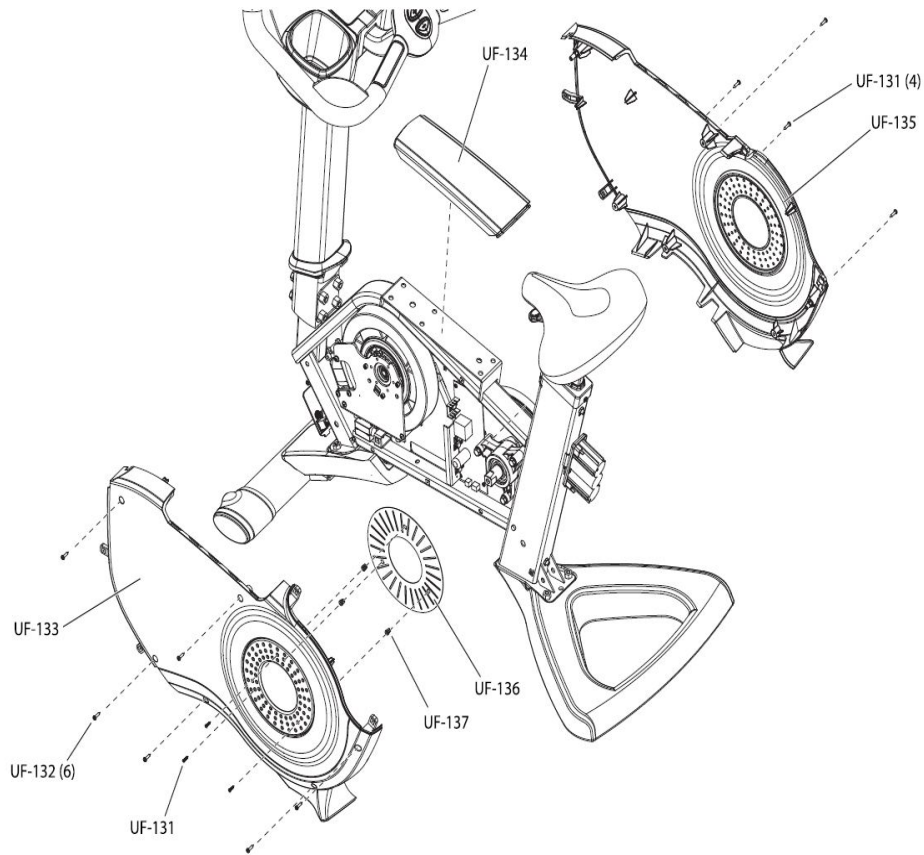
Ref #	Part Number	Qty	Description
UF-101	AK92-00059-2400	1	ASSEMBLY: MIDDLE SHROUD; CONSOLE; CHGR
UF-102	0017-00101-1940	4	Hardware: Screw 14MM
UF-103	0K67-01040-2400	1	SHROUD: CONSOLE BACK; UPRIGHT; CHGR
UF-104	AK67-00019-2400	1	SHROUD: CONSOLE TOP ASSY; UPRIGHT; CHGR
UF-105	0K67-01055-2400	2	CUP: ACCESORY; CHGR
UF-106	0017-00101-1796	8	Hardware: Mounting Screw 19 MM
UF-107	0K67-01041-2400	1	SHROUD: CONSOLE BOTTOM; UPRIGHT; CHGR

Upper Frame - Shrouds - Front and Seat



Ref #	Part Number	Qty	Description
UF-121	AK67-00051-2402	1	SHROUD/DECAL: 95C; UPRIGHT; SEATPOST; LEFT; CHGR
UF-122	0017-00101-1796	12	Hardware: Mounting Screw 19 MM
UF-123	0K65-01209-0000	2	LF Bug Decal
UF-124	0K67-01033-2400	1	SHROUD: UPRIGHT; FRONT; LT; CHGR
UF-125	AK67-00049-2400	1	SHROUD: UPRIGHT; FRONT; ONSSERT; RIGHT; CHGR
UF-126	AK67-00050-2402	1	SHROUD/DECAL: 95C; UPRIGHT; SEATPOST; RIGHT; CHGR

Upper Frame - Shrouds - (Left, Right, Step) and GBC Shield



Ref #	Part Number	Qty	Description
UF-131	0017-00101-2103	3	SCR: #6 X 5/8 FLT PHL AB ST BLK
UF-132	0017-00101-1796	10	Hardware: Mounting Screw 19 MM
UF-133	AK67-00033-2408	1	SHROUD/DECAL: MAIN; LIFECYCLE; LEFT; CHGR
UF-134	0K67-01038-0700	1	SHROUD: UPRIGHT; STEP; BLACK
UF-135	AK67-00032-2408	1	SHROUD/DECAL: MAIN; LIFECYCLE; RIGHT, CHGR
UF-136	0K66-01267-0000	1	SHIELD: SHROUD; GBC
UF-137	0017-00042-1134	3	Grommet

