

95CXXL Lifecycle - Extended Version

95CXXL-0000-01

Parts Manual

1/5/2019 9:38:49 AM

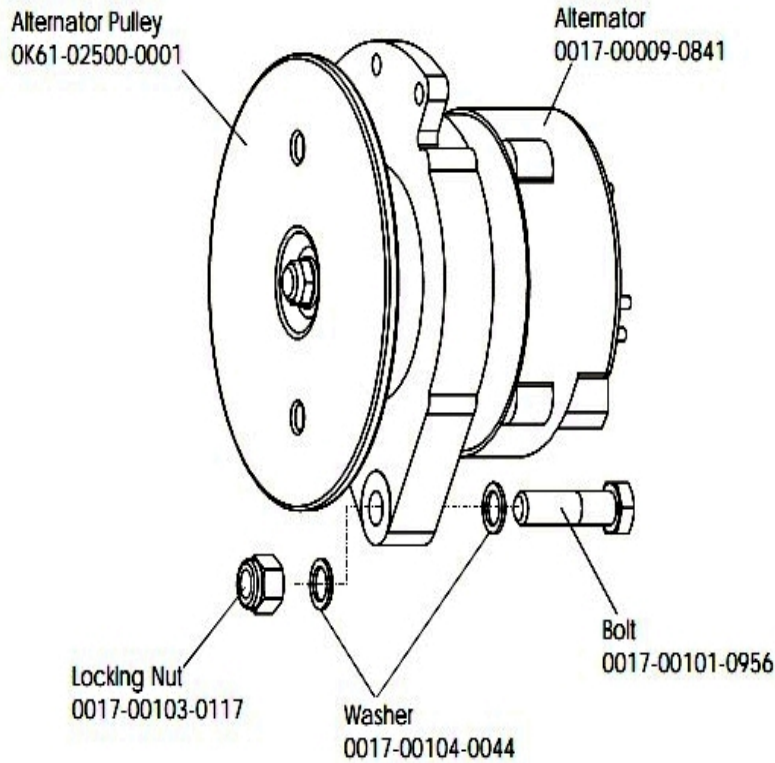


LifeFitness
WHAT WE LIVE FOR

Table of Contents

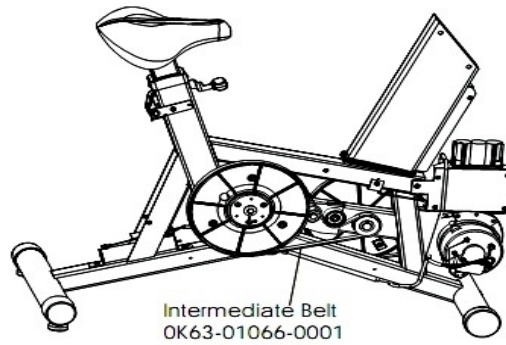
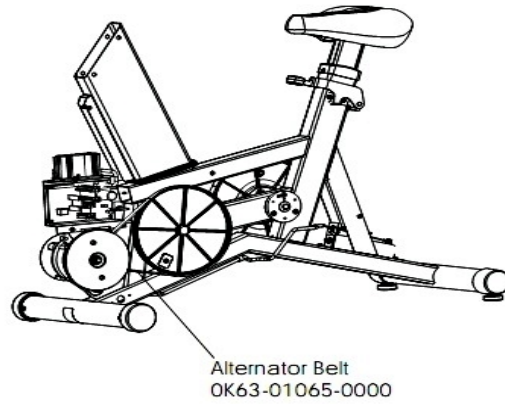
Alternator with Pulley Assembly	3
Belts	4
Cables	5
Console Overlay Bezel Assembly	6
Console Support Assembly	7
Crankshaft and Bearing Assembly	8
Final Frame Assembly	9
Front Wheels	10
General Assembly	11
Handlebar Assembly	12
Idler Bracket Assembly	13
Intermediate Shaft and Bearing Assembly	14
Left Side Shroud and Crank Arm	15
PCB Mounting Bracket Assembly	16
Resistor Assembly	17
Right Side Shroud and Crank Arm	18
Seat Latch Assembly	19
Seat Post Assembly	20
Seat Post Shrouds	21

Alternator with Pulley Assembly



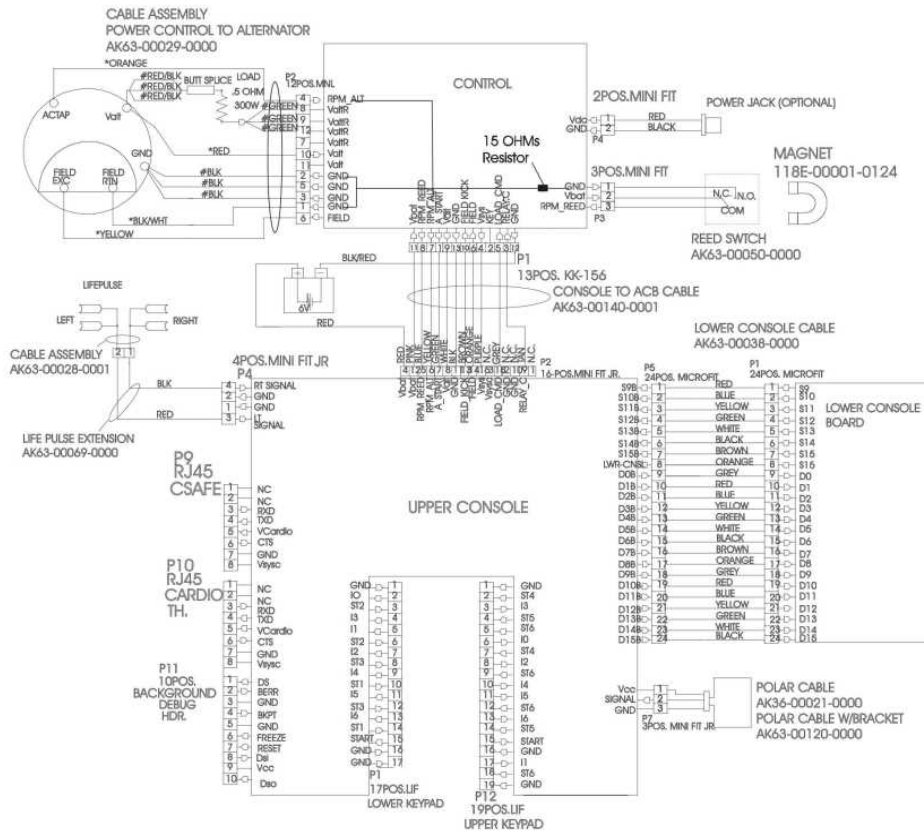
Ref #	Part Number	Qty	Description
-	OK61-01027-0000	1	Flywheel: 6.75" D
-	0017-00103-0117	1	Hardware: Locking Nut 1/2" ID
-	0017-00101-0956	1	Hardware: Bolt 2"
-	0017-00104-0044	2	Hardware: Washer 0.75" OD
-	0017-00009-0841	1	Alternator
-	AK63-00093-0000	1	Alternator w/Pulley

Belts



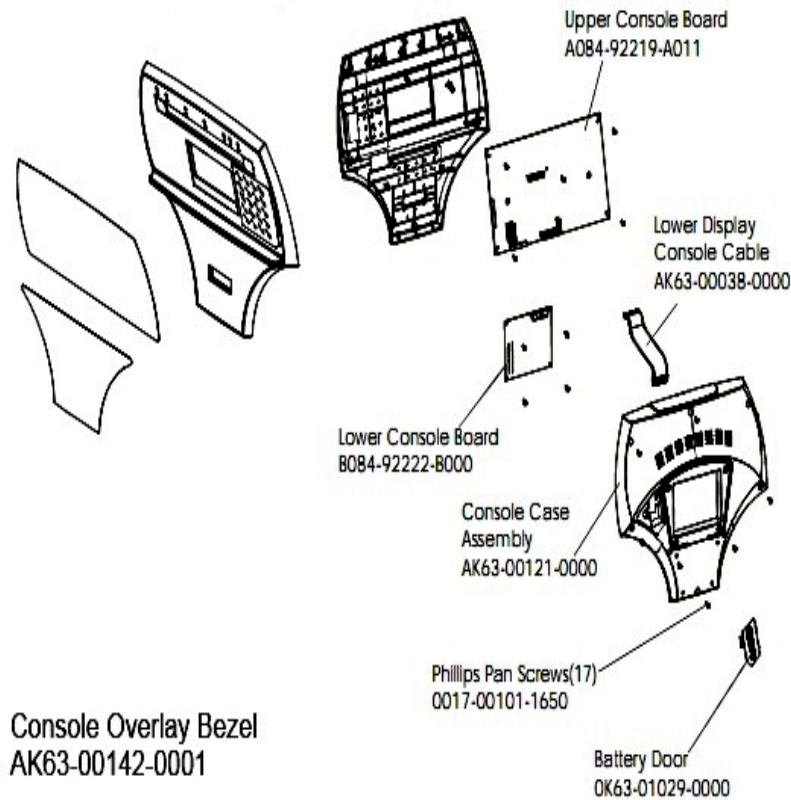
Ref #	Part Number	Qty	Description
-	OK63-01405-0000	1	BELT: POLY-V; 390J6; 39.00 IN
-	GK63-00002-0079	1	Kit: Upright/Rec Belt And Pulley

Cables



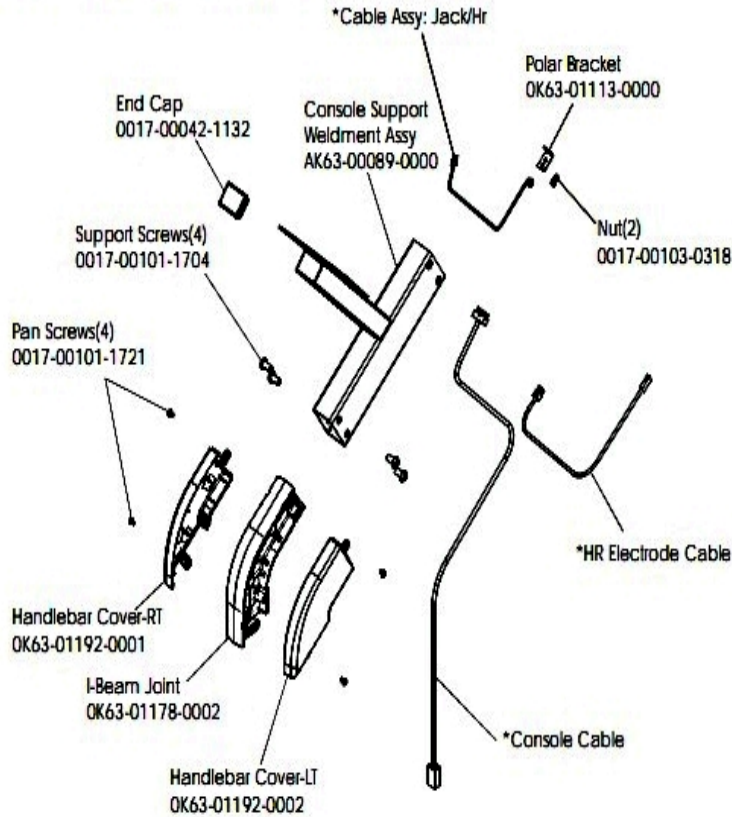
Ref #	Part Number	Qty	Description
-	AK63-00050-0000	1	Reed Switch Bracket Assembly
-	AK36-00021-0000	1	Polar Cable
-	AK63-00069-0000	1	Heart Rate Cable
-	AK63-00038-0000	1	Lower Console Cable
-	AK63-00140-0001	1	Console Cable
-	AK63-00028-0001	1	LifePulse Cable
-	118E-00001-0124	1	Auto-Start Magnet
-	AK63-00029-0000	1	Power Control to Alternator
-	AK63-00120-0000	1	Polar Cable with Bracket

Console Overlay Bezel Assembly



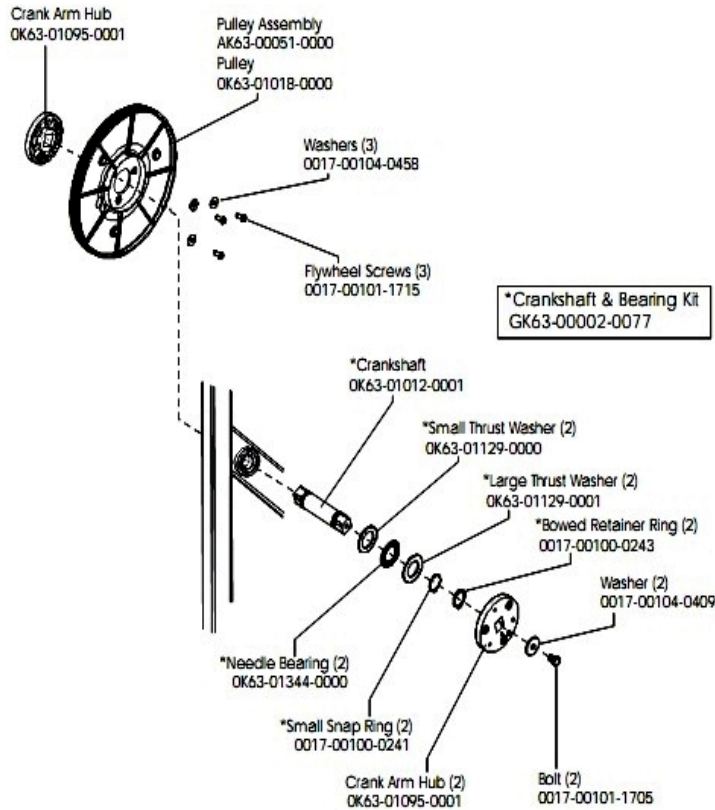
Ref #	Part Number	Qty	Description
-	AK63-00141-0001	1	Console Assembly English Metric
-	AK63-00142-0001	1	Bezel/Switch with Overlay English Metric
-	AK63-00038-0000	1	Lower Console Cable
-	AK63-00142-0009	1	Bezel/Switch with Overlay Dutch Metric
-	OK63-01029-0000	1	Battery Door
-	A084-92219-A011	1	Console Board - Upper
-	AK63-00121-0000	1	Console Case Assembly
-	0017-00101-1650	17	Hardware: Phillips Pan Screw 0.375"
-	AK63-00141-0009	1	Console Assembly Dutch Metric
-	B084-92222-B000	1	Console Board - Lower

Console Support Assembly



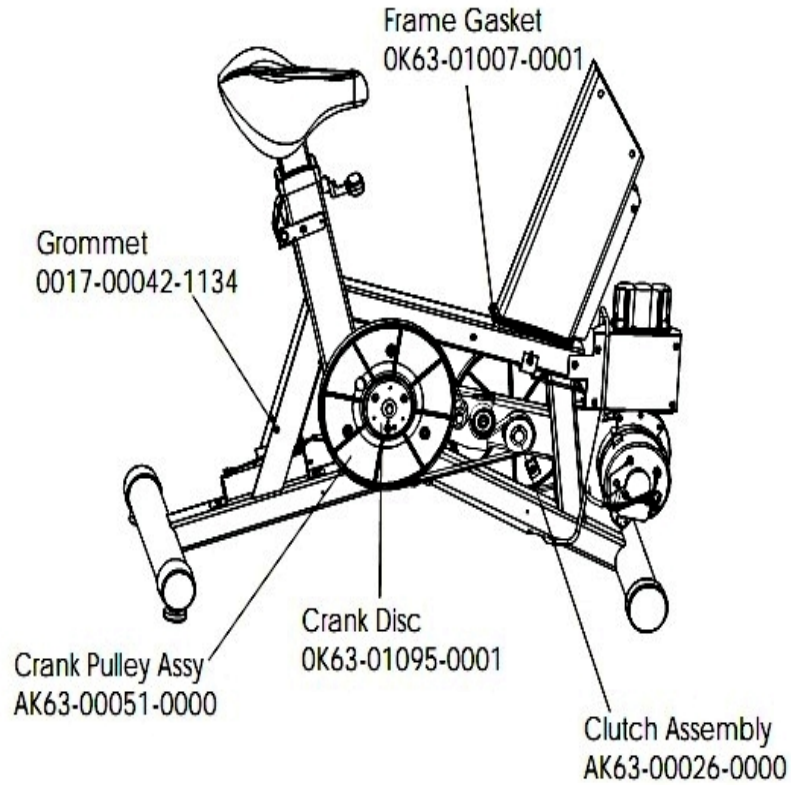
Ref #	Part Number	Qty	Description
-	OK63-01192-0001	1	Console Support Elbow Cover: Right 6"
-	OK63-01113-0000	1	Polar Bracket
-	OK63-01178-0002	1	Console Support Elbow 6"
-	0017-00101-1736	4	Hardware: Support Screw
-	0017-00101-1721	4	Hardware: Pan Screw
-	AK63-00139-0000	1	Console Support Assembly
-	OK63-01192-0002	1	Console Support Elbow Cover: Left 6"
-	0017-00103-0318	2	Hardware: Nut
-	AK63-00089-0000	1	Console Support Weldment Assembly
-	0017-00042-1132	1	End Cap

Crankshaft and Bearing Assembly



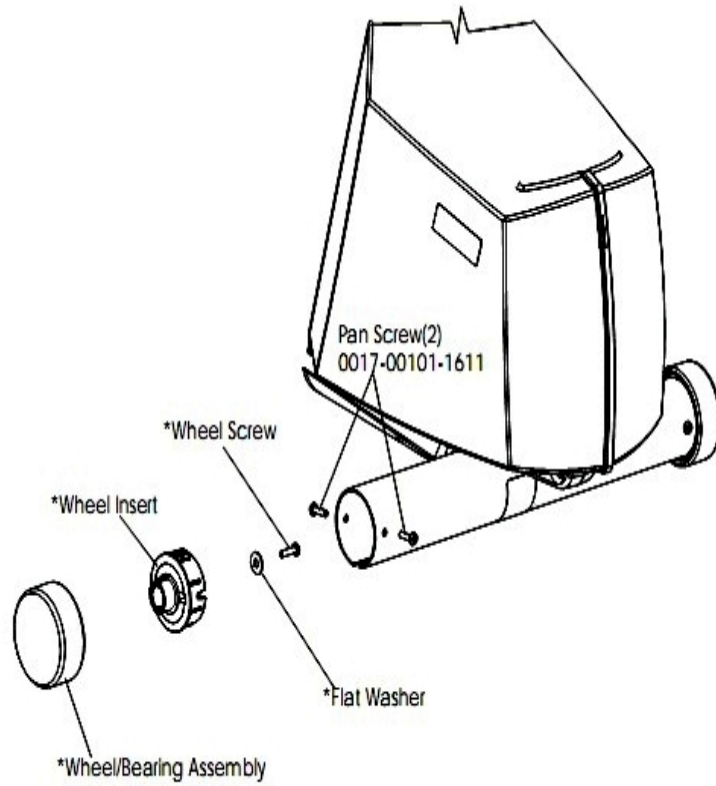
Ref #	Part Number	Qty	Description
-	0017-00101-1855	1	Hardware: TORX Screw 0.875"
-	OK63-01129-0000	2	Hardware: Small Thrust Washer
-	0017-00100-0243	2	Hardware: Bowed Retaining Ring .984"
-	OK63-01095-0001	3	Crank Arm Hub
-	AK63-00051-0000	1	Pulley Assembly
-	0017-00100-0241	2	Hardware: Small Snap Ring .984"
-	OK63-01018-0000	1	Crank Pulley
-	OK63-01012-0001	1	Crankshaft
-	GK63-00002-0077	1	Crankshaft and Bearing Kit
-	OK63-01129-0001	2	Hardware: Large Thrust Washer
-	0017-00101-1705	2	Hardware: Bolt 0.5"
-	OK63-01344-0000	2	Hardware: Needle Bearing
-	0017-00104-0458	3	Hardware: Flat Washer 0.75" OD
-	0017-00104-0409	2	Hardware: Washer 1.125" OD

Final Frame Assembly



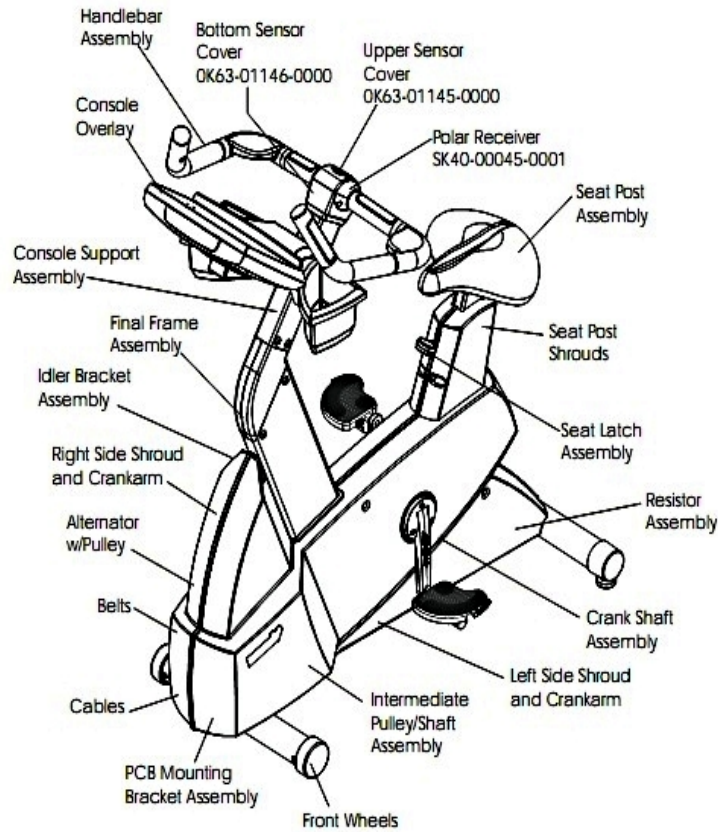
Ref #	Part Number	Qty	Description
-	GK63-00002-0079	1	Kit: Upright/Rec Belt And Pulley
-	0K63-01095-0001	1	Crank Arm Hub
-	0017-00042-1134	1	Grommet
-	AK63-00051-0000	1	Pulley Assembly
-	0K63-01007-0001	1	Frame Gasket

Front Wheels



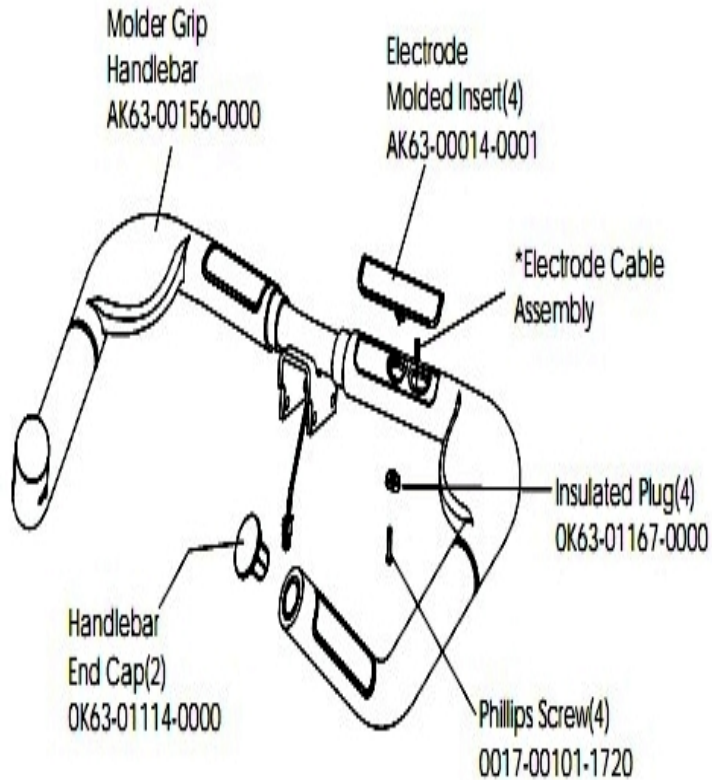
Ref #	Part Number	Qty	Description
-	0017-00101-1611	4	Hardware: Insert Screw
-	AK63-00017-0000	1	Wheel/Bearing Assembly

General Assembly



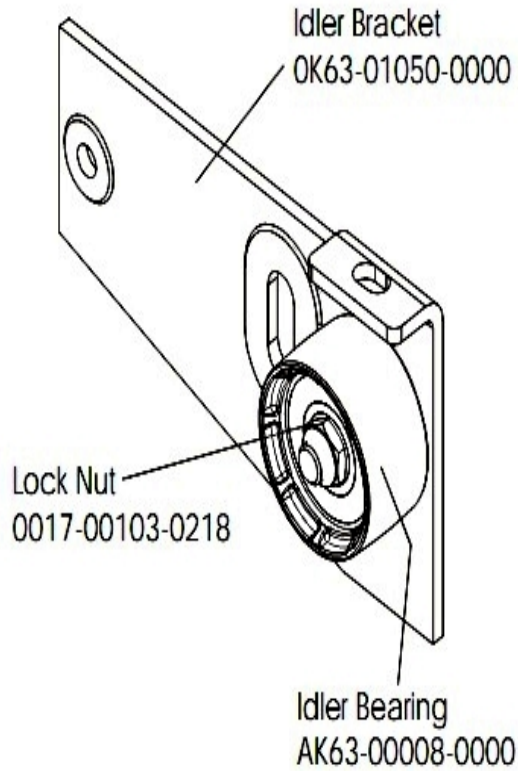
Ref #	Part Number	Qty	Description
-	OK63-01145-0000	1	Upper Sensor Cover
-	GK63-00002-0005	1	Power Option Kit: 120V
-	SK40-00045-0001	1	Polar HR Kit
-	OK63-01146-0000	1	Bottom Sensor Cover

Handlebar Assembly



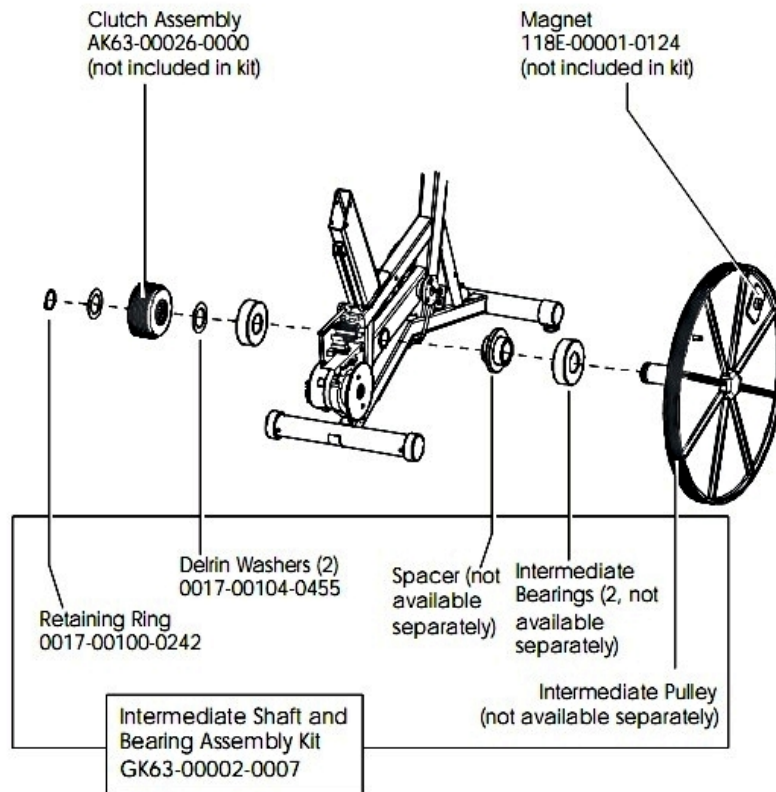
Ref #	Part Number	Qty	Description
-	0017-00101-1720	4	Hardware: Mounting Screw 1"
-	OK63-01167-0000	4	Insulated Plug
-	AK63-00156-0000	1	Molder Grip Handlebar
-	AK63-00091-0000	1	Handlebar Assembly
-	OK63-01114-0000	2	Cap
-	AK63-00014-0002	4	ELECTRODE-INSERT ASSY: RED; PURCH S/C-D

Idler Bracket Assembly



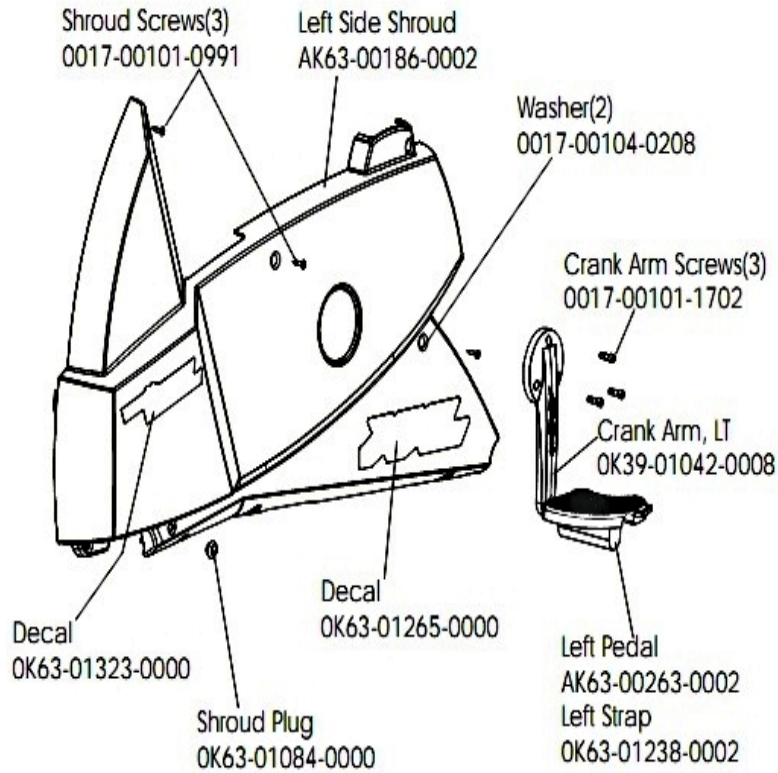
Ref #	Part Number	Qty	Description
-	AK63-00008-0000	1	Idler w/Bearing
-	OK63-01050-0000	1	Idler Bracket
-	AK63-00021-0000	1	Idler Bracket Assembly
-	0017-00103-0218	1	Hardware: Lock Nut 3/8" ID

Intermediate Shaft and Bearing Assembly



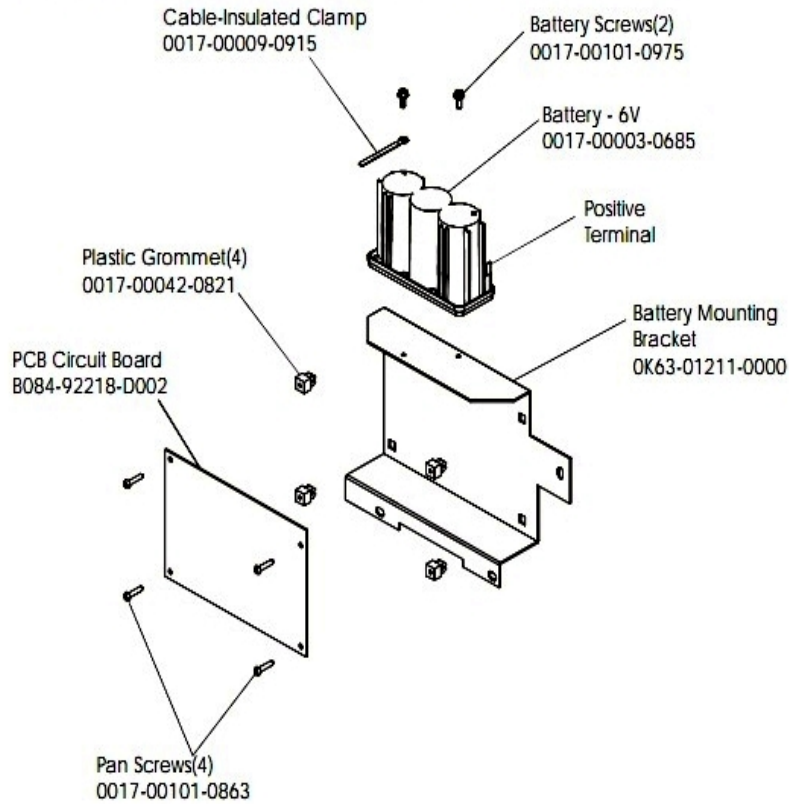
Ref #	Part Number	Qty	Description
-	GK63-00002-0007	1	Intermediate Shaft and Bearing Assembly
-	0017-00100-0242	1	Hardware: Retaining Ring .781"
-	118E-00001-0124	1	Auto-Start Magnet
-	0017-00104-0455	2	Hardware: Delrin Washer 1.250" OD
-	GK63-00002-0079	1	Kit: Upright/Rec Belt And Pulley

Left Side Shroud and Crank Arm



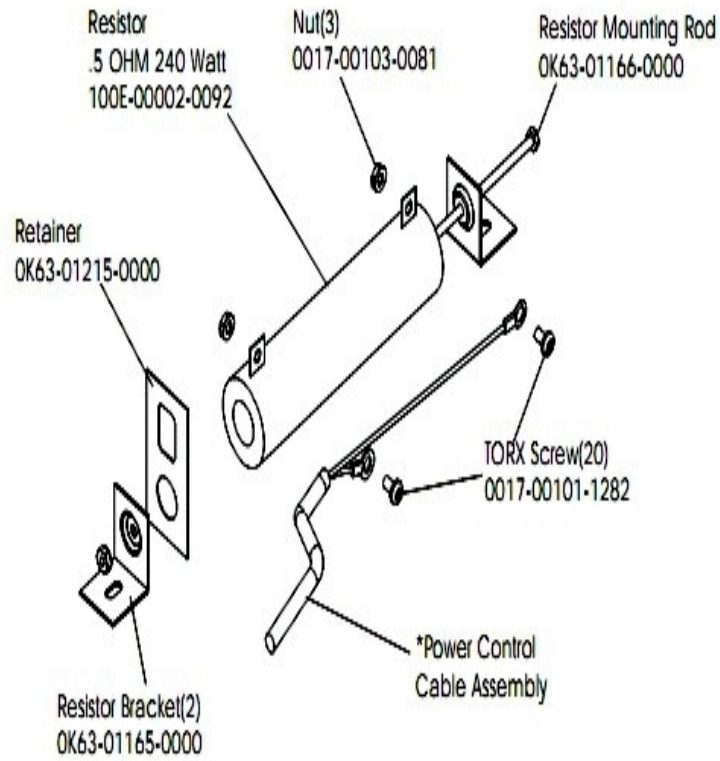
Ref #	Part Number	Qty	Description
-	OK63-01323-0000	1	Decal
-	OK39-01042-0008	1	Crank Arm: Left
-	OK63-01238-0002	1	Left Pedal Strap
-	AK63-00186-0002	1	Left Side Shroud
-	0017-00101-0991	3	Hardware: Phillips Pan Screw 0.75"
-	OK63-01265-0000	1	Decal
-	0017-00104-0208	2	Hardware: Washer
-	0017-00101-1702	3	Hardware: Screw
-	AK63-00263-0002	1	Left Pedal
-	OK63-01084-0000	1	Shroud Plug

PCB Mounting Bracket Assembly



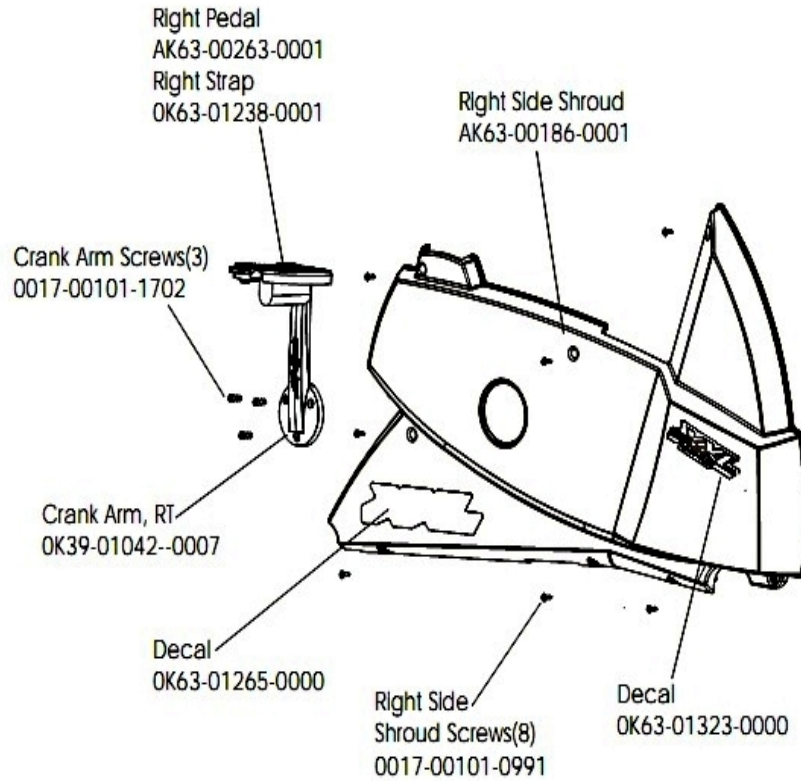
Ref #	Part Number	Qty	Description
-	0017-00101-0975	2	Hardware: Mounting Bolt 0.375"
-	AK63-00049-0000	1	PCB Mounting Bracket
-	0017-00003-0685	1	6V Battery
-	0017-00042-0821	4	Hardware: Plastic Grommet
-	B084-92218-0000	1	PCB Circuit Board
-	0K63-01211-0000	1	Battery Mounting Bracket
-	0017-00101-0823	4	Hardware: Screw 0.75"
-	0017-00009-0915	1	Cable-Insulated Clamp

Resistor Assembly



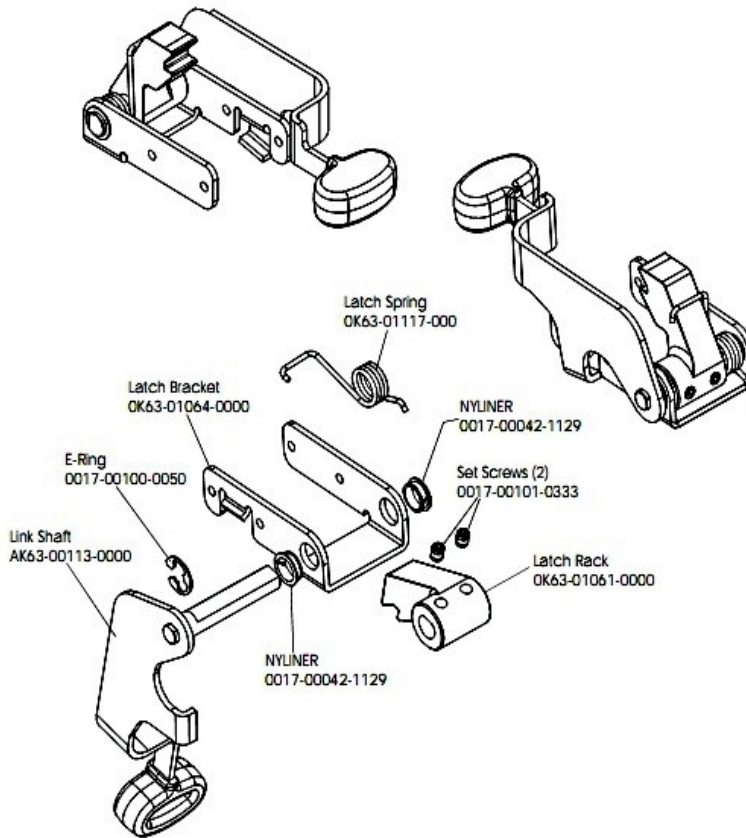
Ref #	Part Number	Qty	Description
-	100E-00002-0092	1	Resistor .5 OHM 240 Watt
-	0017-00103-0081	3	Hardware: Hex Nut ID
-	OK63-01165-0000	2	Resistor Bracket
-	OK63-01166-0000	1	Resistor Mounting Rod
-	0017-00101-1282	2	Hardware: TORX Screw 0.375"
-	OK63-01215-0000	1	Hardware: Resistor Retainer

Right Side Shroud and Crank Arm



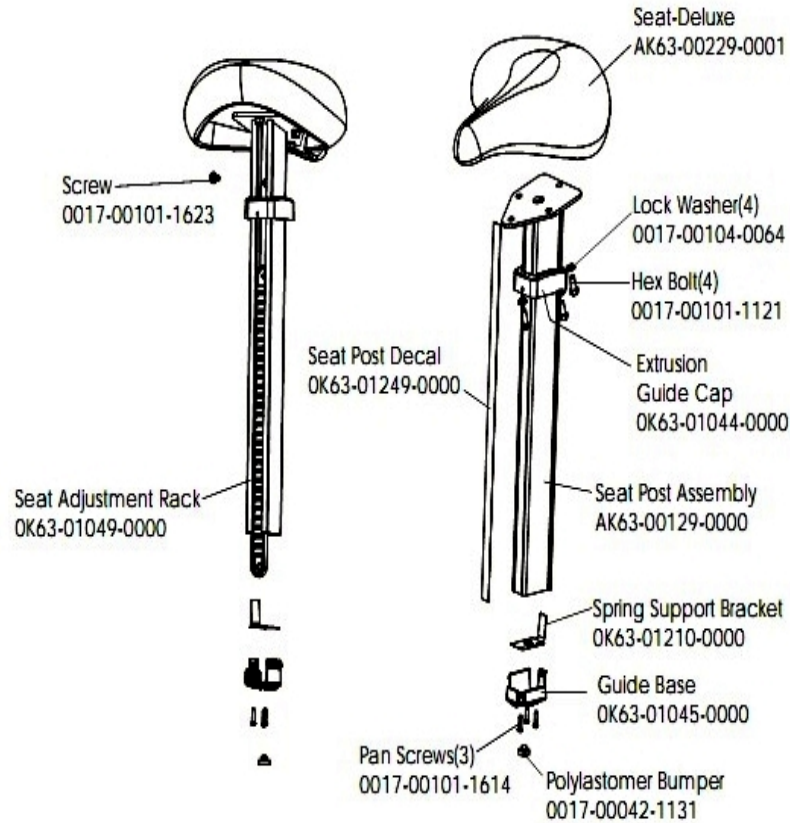
Ref #	Part Number	Qty	Description
-	AK63-00263-0001	1	Right Pedal
-	OK39-01042-0007	1	Crank Arm: Right
-	OK63-01323-0000	1	Decal
-	0017-00101-1702	3	Hardware: Screw
-	AK63-00186-0001	1	Right Side Shroud
-	0017-00101-0991	8	Hardware: Phillips Pan Screw 0.75"
-	OK63-01238-0001	1	Right Pedal Strap
-	OK63-01265-0000	1	Decal

Seat Latch Assembly



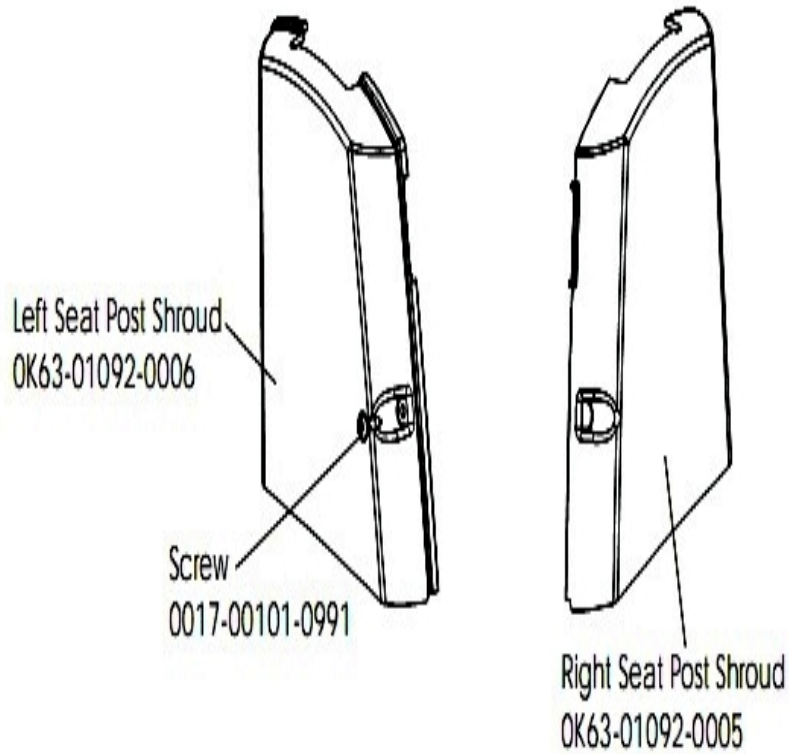
Ref #	Part Number	Qty	Description
-	OK63-01064-0000	1	Latch Bracket
-	AK63-00113-0000	1	Link Shaft
-	0017-00100-0050	1	Hardware: E-Ring .5"
-	0017-00101-0333	2	Hardware: Screw 0.3125"
-	0017-00042-1129	2	Hardware: Nyliner Ring - 1/2" Diameter
-	AK63-00043-0000	1	Seat Latch Assembly
-	OK63-01061-0000	1	Latch Rack
-	OK63-01117-0000	1	Latch Spring

Seat Post Assembly



Ref #	Part Number	Qty	Description
-	0017-00101-1121	4	Hardware: Bolt 4.6875"
-	AK63-00229-0001	1	Seat-Deluxe
-	0017-00042-1131	1	Bumper
-	AK63-00129-0000	1	Seat Post Assembly
-	OK63-01210-0000	1	Spring Support Bracket
-	0017-00101-1623	1	Hardware: Screw
-	OK63-01044-0000	1	Extrusion Guide Cap
-	OK63-01049-0000	1	Seat Adjustment Rack
-	0017-00104-0064	4	Hardware: Lock Washer 0.586" OD
-	AK63-00134-0000	1	Seat Post Assembly
-	0017-00101-1614	3	Hardware: Screw 0.625"
-	OK63-01249-0000	1	Seat Post Decal
-	OK63-01045-0000	1	Guide Base

Seat Post Shrouds



Ref #	Part Number	Qty	Description
-	OK63-01092-0005	1	Right Seat Post Shroud
-	OK63-01092-0006	1	Left Seat Post Shroud
-	0017-00101-0991	1	Hardware: Phillips Pan Screw 0.75"

