

95CXXL Lifecycle - Extended Version

95CXXL-0100-01

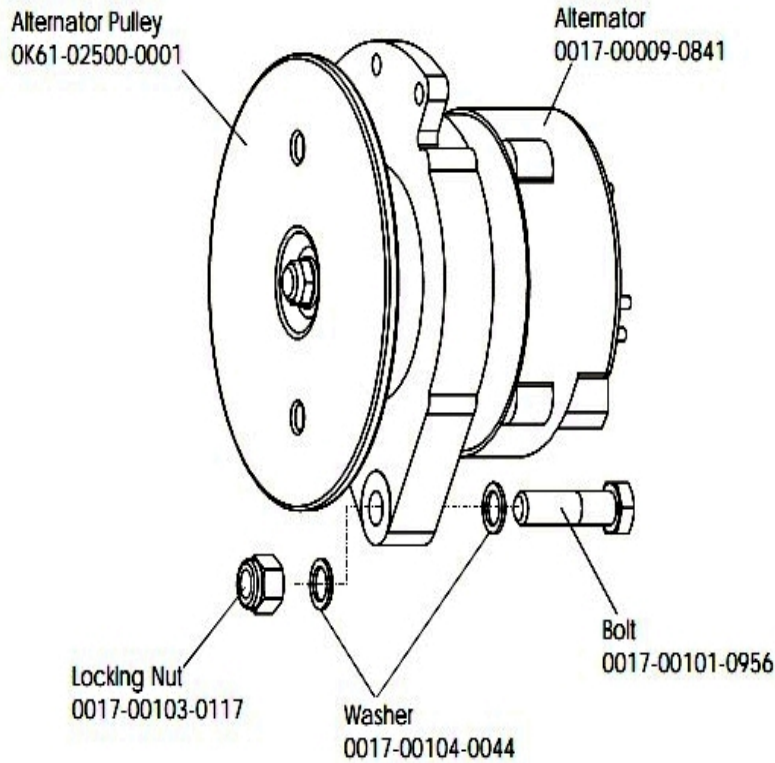
Parts Manual

1/5/2019 9:38:50 AM

Table of Contents

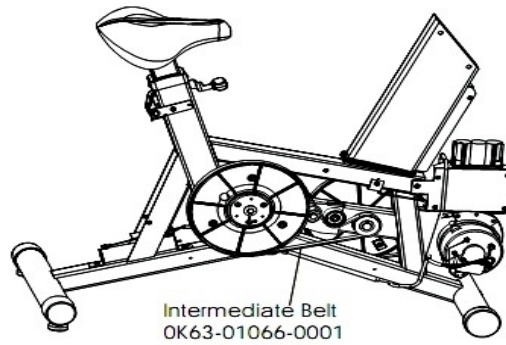
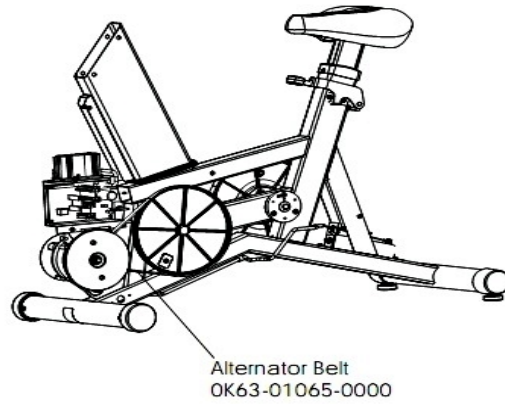
[Alternator with Pulley](#).....3
[Belts](#).....4
[Cables](#).....5
[Console Overlay Bezel Assembly](#).....6
[Console Support Assembly](#).....7
[Crankshaft and Bearing Assembly](#).....8
[Final Frame Assembly](#).....9
[Front Wheel Assembly](#).....10
[General Assembly](#).....11
[Handlebar Assembly](#).....12
[Idler Bracket Assembly](#).....13
[Intermediate Shaft and Bearing Assembly](#).....14
[Left Side Shroud and Crank Arm](#).....15
[PCB Mounting Bracket Assembly](#).....16
[Resistor Assembly](#).....17
[Right Side Shroud and Crank Arm](#).....18
[Seat Latch Assembly](#).....19
[Seat Post Assembly](#).....20
[Seat Post Shrouds](#).....21

Alternator with Pulley



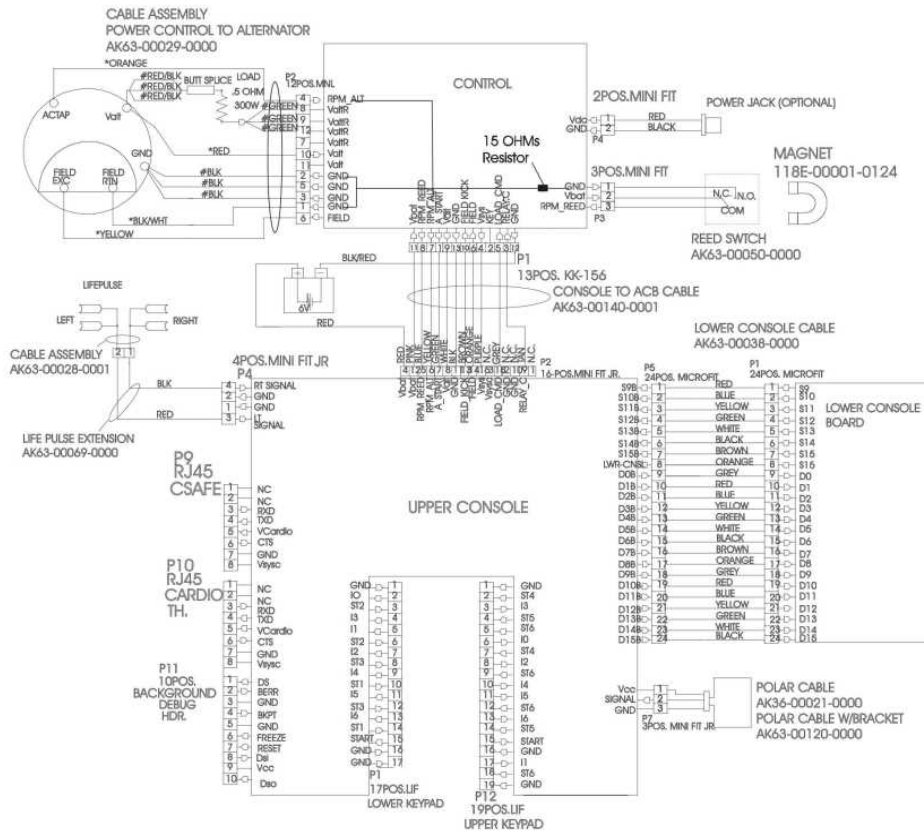
Ref #	Part Number	Qty	Description
-	0017-00103-0117	1	Hardware: Locking Nut 1/2" ID
-	0017-00101-0956	1	Hardware: Bolt 2"
-	OK61-01027-0000	1	Flywheel: 6.75" D
-	0017-00104-0044	2	Hardware: Washer 0.75" OD
-	AK63-00093-0000	1	Alternator w/Pulley
-	0017-00009-0841	1	Alternator

Belts



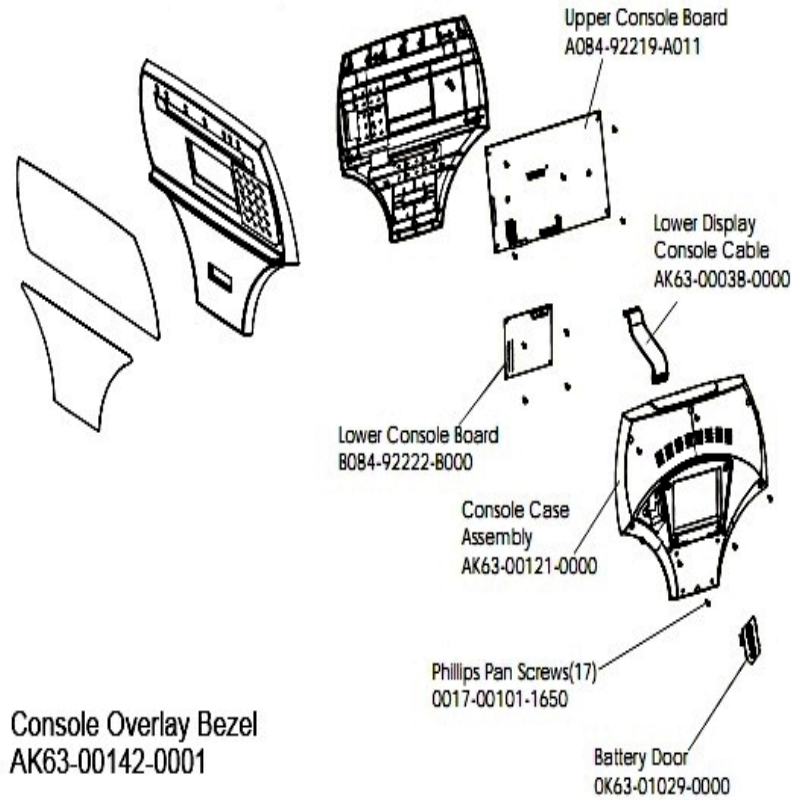
Ref #	Part Number	Qty	Description
-	GK63-00002-0079	1	Kit: Upright/Rec Belt And Pulley
-	OK63-01405-0000	1	BELT: POLY-V; 390J6; 39.00 IN

Cables



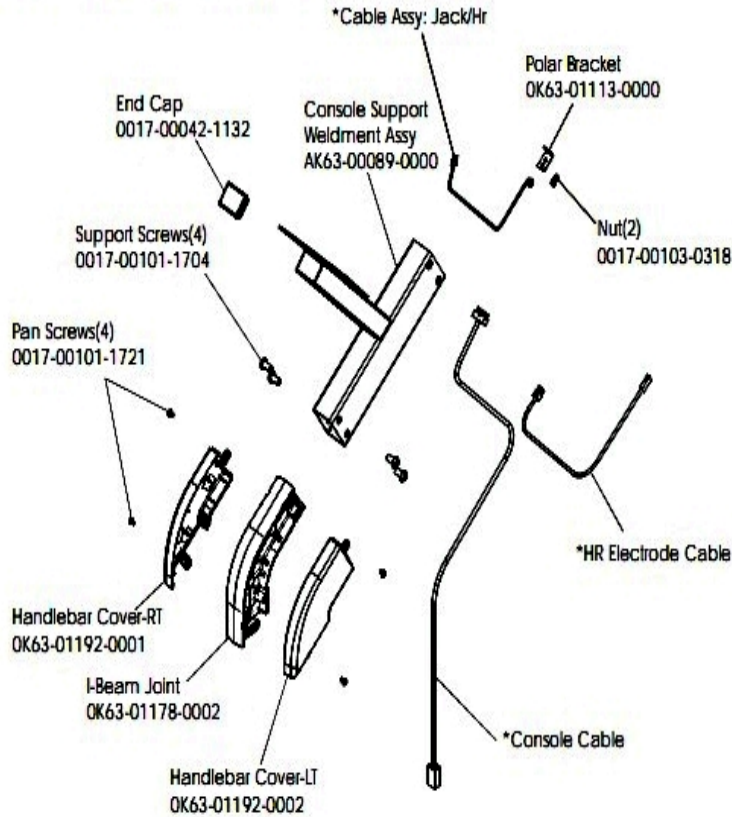
Ref #	Part Number	Qty	Description
-	118E-00001-0124	1	Auto-Start Magnet
-	AK36-00021-0000	1	Polar Cable
-	AK63-00069-0000	1	Heart Rate Cable
-	AK63-00120-0000	1	Polar Cable with Bracket
-	AK63-00050-0000	1	Reed Switch Bracket Assembly
-	AK63-00029-0000	1	Power Control to Alternator
-	AK63-00038-0000	1	Lower Console Cable
-	AK63-00028-0001	1	LifePulse Cable
-	AK63-00140-0001	1	Console Cable

Console Overlay Bezel Assembly



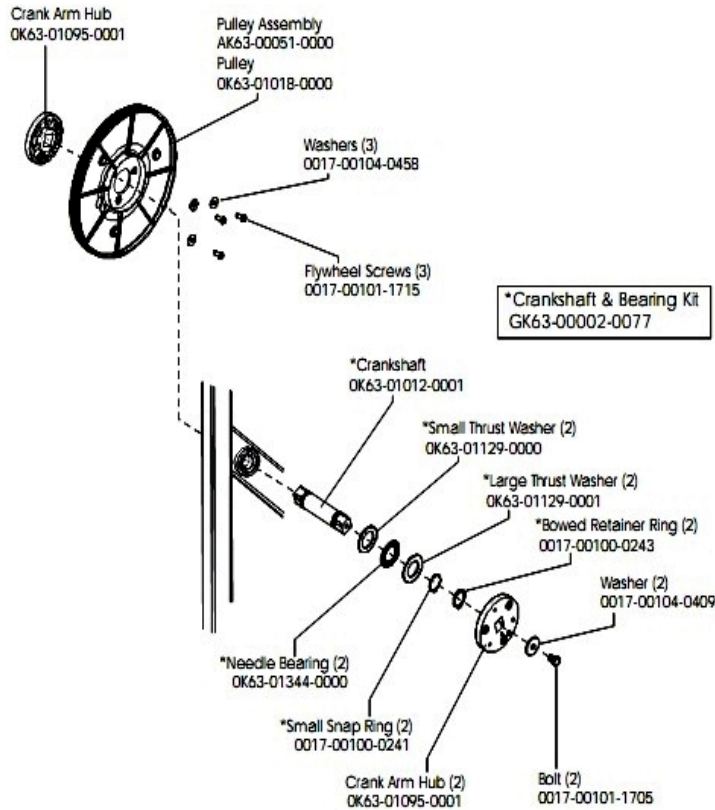
Ref #	Part Number	Qty	Description
-	0017-00101-1650	17	Hardware: Phillips Pan Screw 0.375"
-	0K63-01029-0000	1	Battery Door
-	AK63-00141-0001	1	Console Assembly English Metric
-	AK63-00038-0000	1	Lower Console Cable
-	AK63-00142-0001	1	Bezel/Switch with Overlay English Metric
-	AK63-00121-0000	1	Console Case Assembly
-	A084-92219-A011	1	Console Board - Upper
-	B084-92222-B000	1	Console Board - Lower

Console Support Assembly



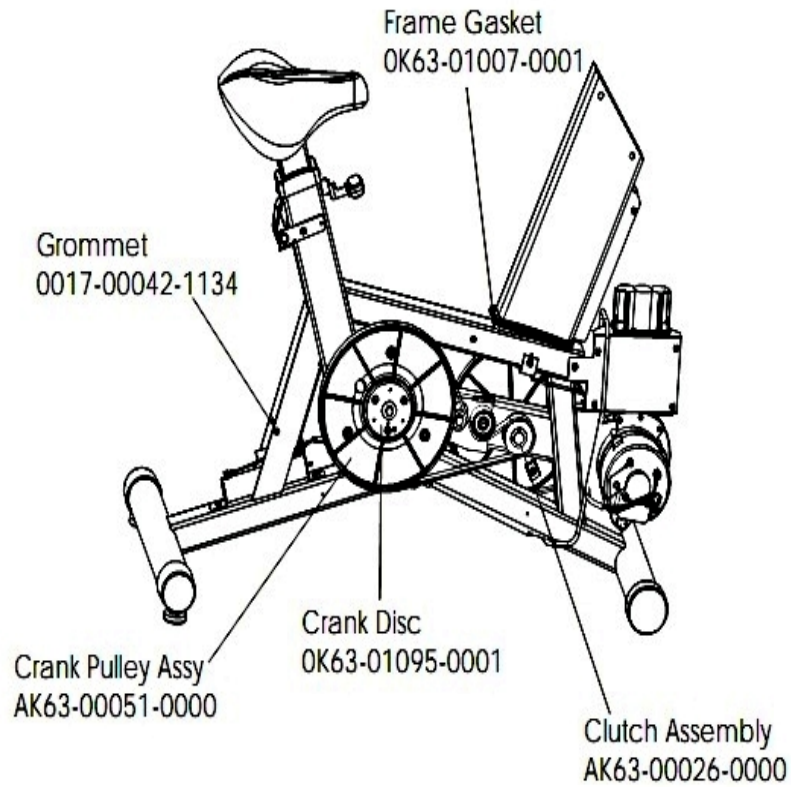
Ref #	Part Number	Qty	Description
-	OK63-01192-0001	1	Console Support Elbow Cover: Right 6"
-	OK63-01113-0000	1	Polar Bracket
-	OK63-01178-0002	1	Console Support Elbow 6"
-	0017-00101-1736	4	Hardware: Support Screw
-	0017-00101-1721	4	Hardware: Pan Screw
-	AK63-00139-0000	1	Console Support Assembly
-	OK63-01192-0002	1	Console Support Elbow Cover: Left 6"
-	0017-00103-0318	2	Hardware: Nut
-	AK63-00089-0000	1	Console Support Weldment Assembly
-	0017-00042-1132	1	End Cap

Crankshaft and Bearing Assembly



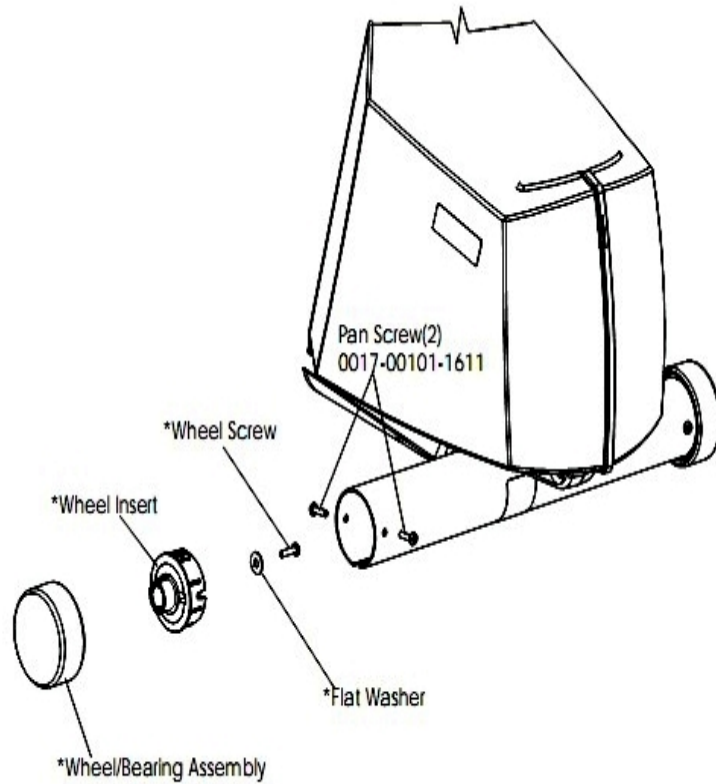
Ref #	Part Number	Qty	Description
-	OK63-01344-0000	2	Hardware: Needle Bearing
-	0017-00101-1705	2	Hardware: Bolt 0.5"
-	0017-00101-1855	1	Hardware: TORX Screw 0.875"
-	0017-00100-0241	2	Hardware: Small Snap Ring .984"
-	0017-00104-0409	2	Hardware: Washer 1.125" OD
-	OK63-01012-0001	1	Crankshaft
-	OK63-01018-0000	1	Crank Pulley
-	OK63-01095-0001	3	Crank Arm Hub
-	AK63-00051-0000	1	Pulley Assembly
-	OK63-01129-0001	2	Hardware: Large Thrust Washer
-	0017-00100-0243	2	Hardware: Bowed Retaining Ring .984"
-	OK63-01129-0000	2	Hardware: Small Thrust Washer
-	0017-00104-0458	3	Hardware: Flat Washer 0.75" OD
-	GK63-00002-0077	1	Crankshaft and Bearing Kit

Final Frame Assembly



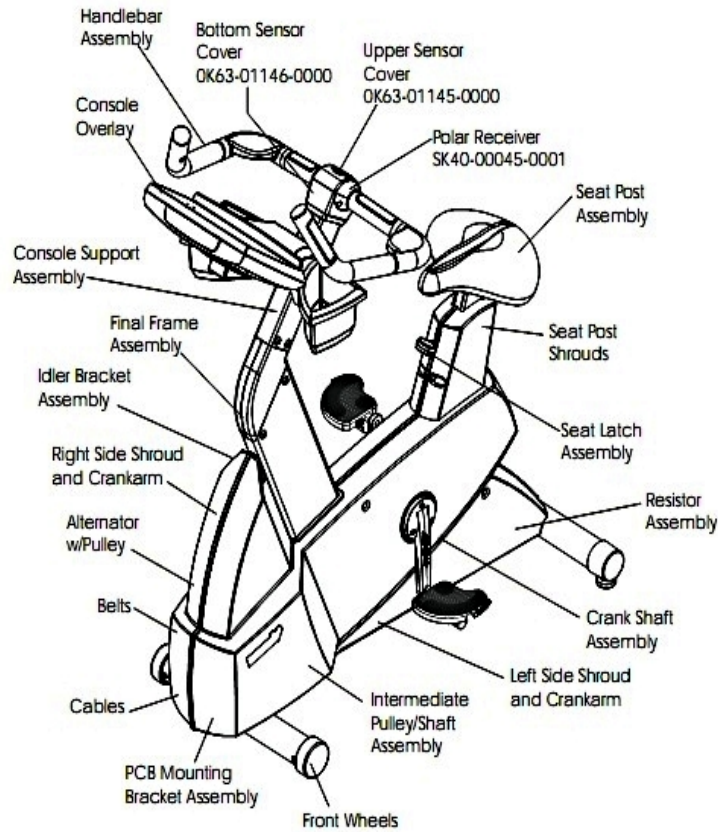
Ref #	Part Number	Qty	Description
-	GK63-00002-0079	1	Kit: Upright/Rec Belt And Pulley
-	AK63-00051-0000	1	Pulley Assembly
-	0K63-01095-0001	1	Crank Arm Hub
-	0017-00042-1134	1	Grommet
-	0K63-01007-0001	1	Frame Gasket

Front Wheel Assembly



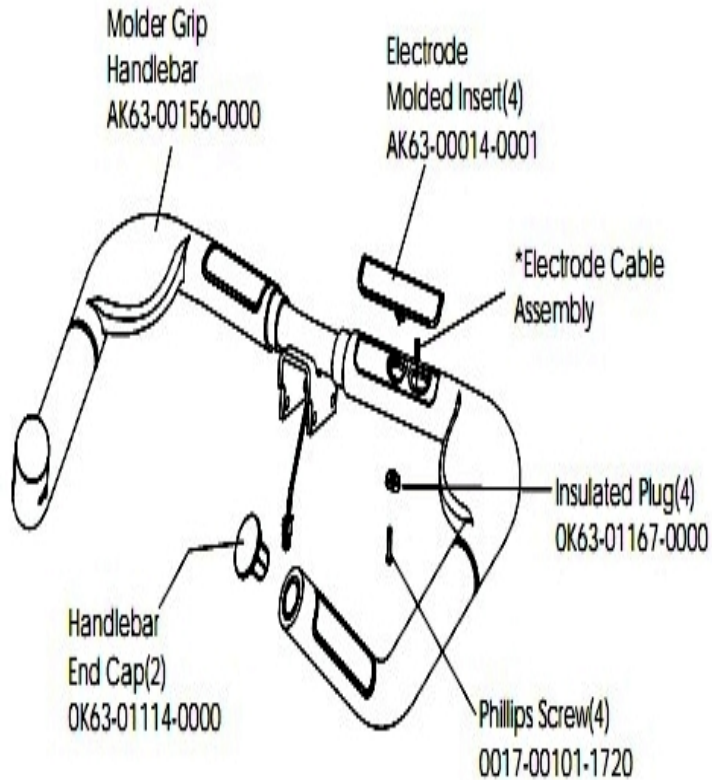
Ref #	Part Number	Qty	Description
-	0017-00101-1611	4	Hardware: Insert Screw
-	AK63-00017-0000	2	Wheel/Bearing Assembly

General Assembly



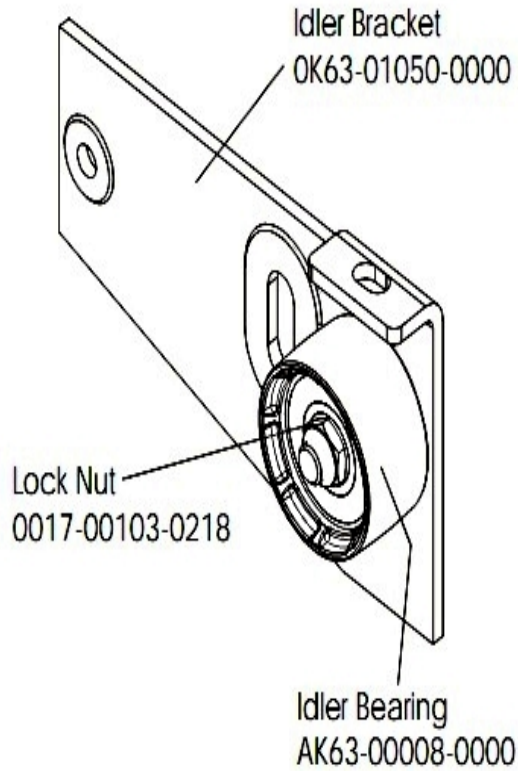
Ref #	Part Number	Qty	Description
-	OK63-01145-0000	1	Upper Sensor Cover
-	GK63-00002-0005	1	Power Option Kit: 120V
-	SK40-00045-0001	1	Polar HR Kit
-	OK63-01146-0000	1	Bottom Sensor Cover

Handlebar Assembly



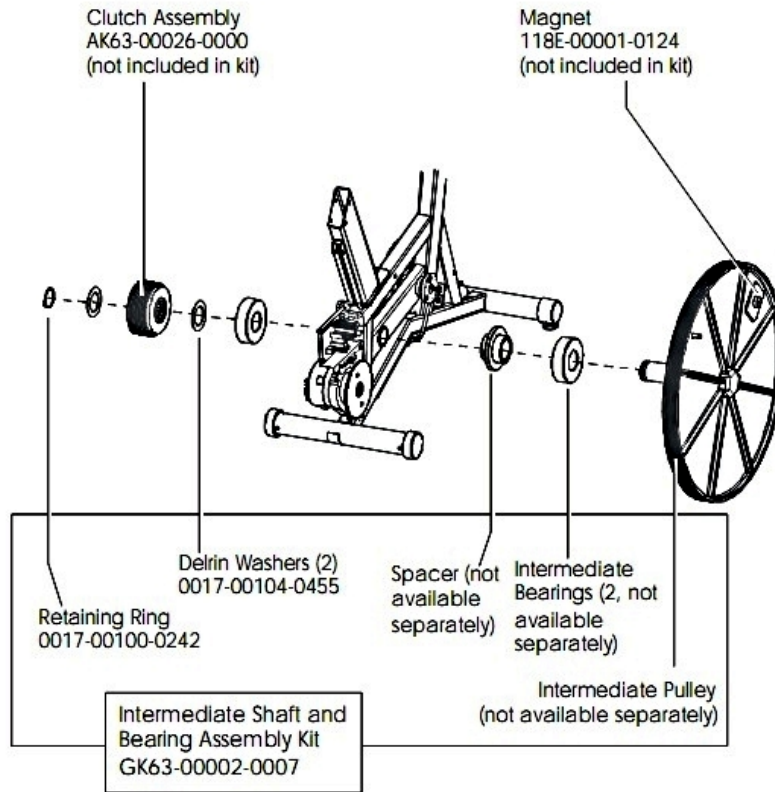
Ref #	Part Number	Qty	Description
-	0017-00101-1720	4	Hardware: Mounting Screw 1"
-	OK63-01167-0000	4	Insulated Plug
-	AK63-00156-0000	1	Molder Grip Handlebar
-	AK63-00091-0000	1	Handlebar Assembly
-	OK63-01114-0000	2	Cap
-	AK63-00014-0002	4	ELECTRODE-INSERT ASSY: RED; PURCH S/C-D

Idler Bracket Assembly



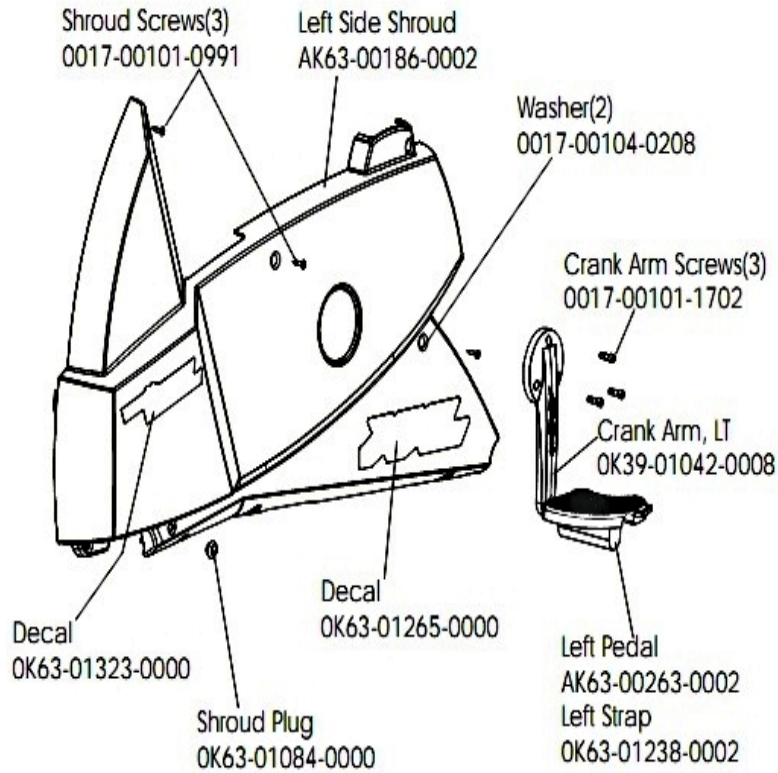
Ref #	Part Number	Qty	Description
-	AK63-00008-0000	1	Idler w/Bearing
-	OK63-01050-0000	1	Idler Bracket
-	AK63-00021-0000	1	Idler Bracket Assembly
-	0017-00103-0218	1	Hardware: Lock Nut 3/8" ID

Intermediate Shaft and Bearing Assembly



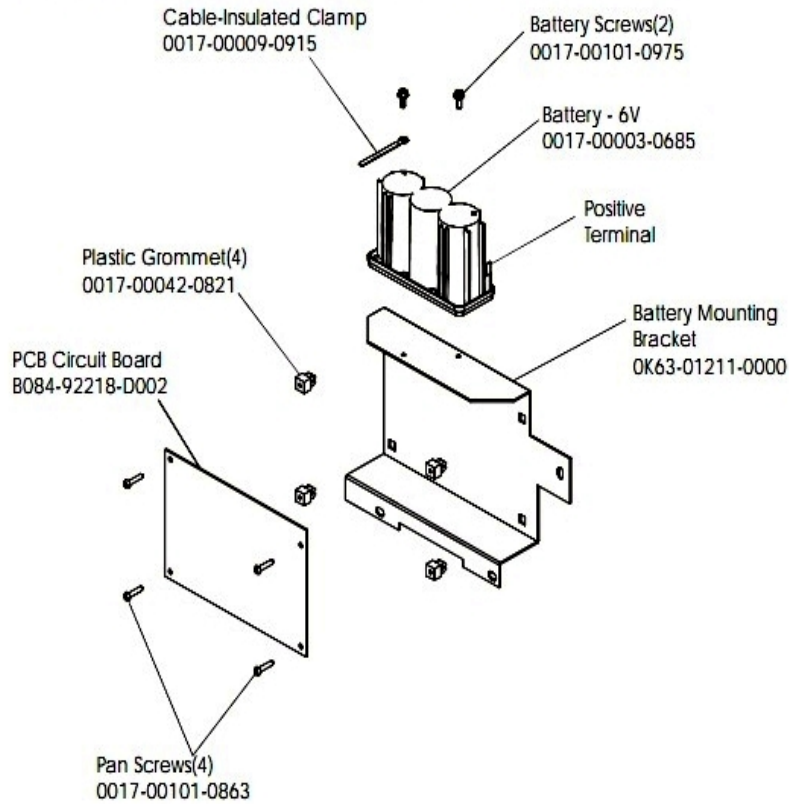
Ref #	Part Number	Qty	Description
-	GK63-00002-0007	1	Intermediate Shaft and Bearing Assembly
-	0017-00100-0242	1	Hardware: Retaining Ring .781"
-	118E-00001-0124	1	Auto-Start Magnet
-	0017-00104-0455	2	Hardware: Delrin Washer 1.250" OD
-	GK63-00002-0079	1	Kit: Upright/Rec Belt And Pulley

Left Side Shroud and Crank Arm



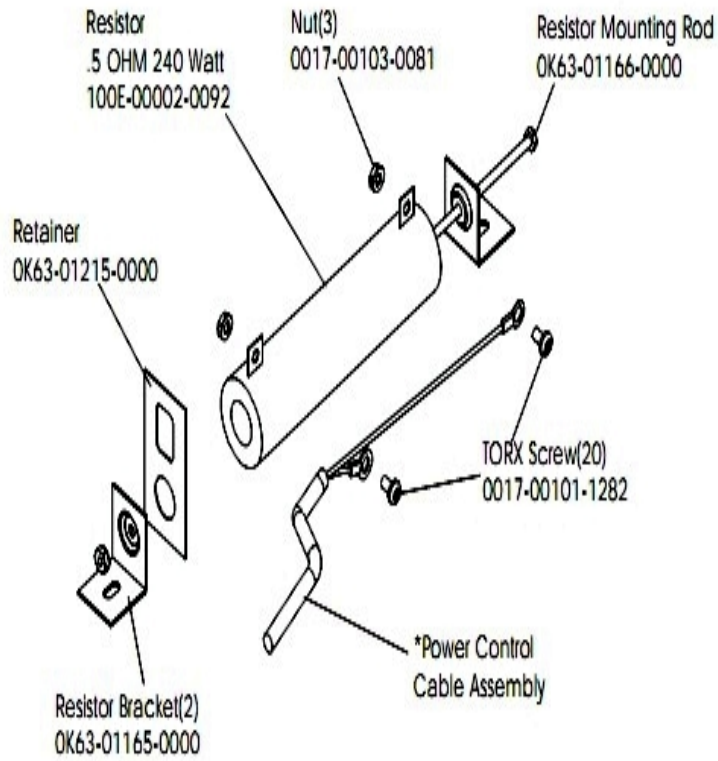
Ref #	Part Number	Qty	Description
-	OK63-01323-0000	1	Decal
-	OK39-01042-0008	1	Crank Arm: Left
-	OK63-01238-0002	1	Left Pedal Strap
-	AK63-00186-0002	1	Left Side Shroud
-	0017-00101-0991	3	Hardware: Phillips Pan Screw 0.75"
-	OK63-01265-0000	1	Decal
-	0017-00104-0208	2	Hardware: Washer
-	0017-00101-1702	3	Hardware: Screw
-	AK63-00263-0002	1	Left Pedal
-	OK63-01084-0000	1	Shroud Plug

PCB Mounting Bracket Assembly



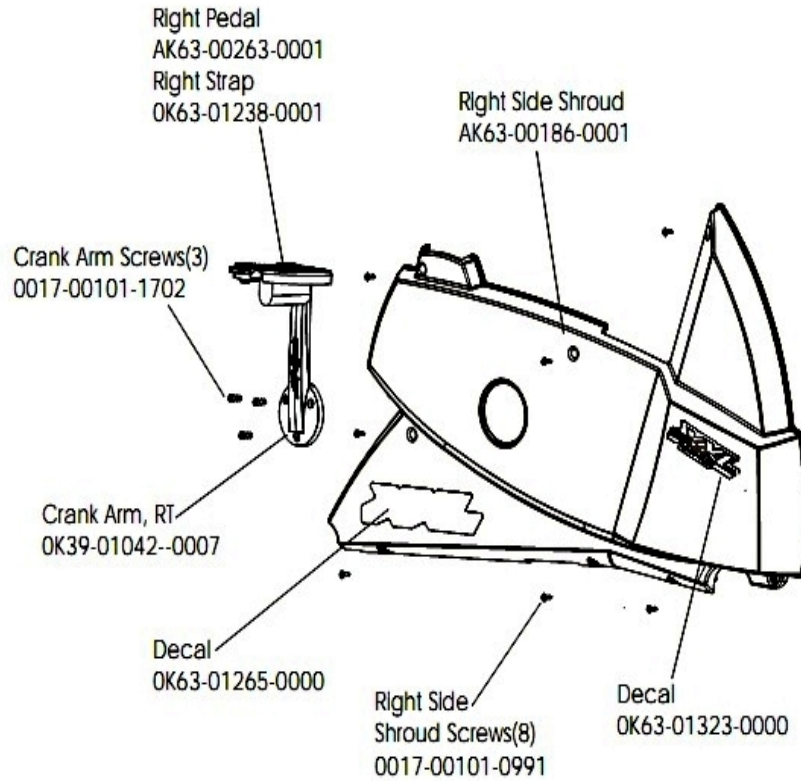
Ref #	Part Number	Qty	Description
-	0017-00101-0975	2	Hardware: Mounting Bolt 0.375"
-	AK63-00049-0000	1	PCB Mounting Bracket
-	0017-00003-0685	1	6V Battery
-	0017-00009-0915	1	Cable-Insulated Clamp
-	B084-92218-0000	1	PCB Circuit Board
-	0K63-01211-0000	1	Battery Mounting Bracket
-	0017-00101-0823	4	Hardware: Screw 0.75"
-	0017-00042-0821	4	Hardware: Plastic Grommet

Resistor Assembly



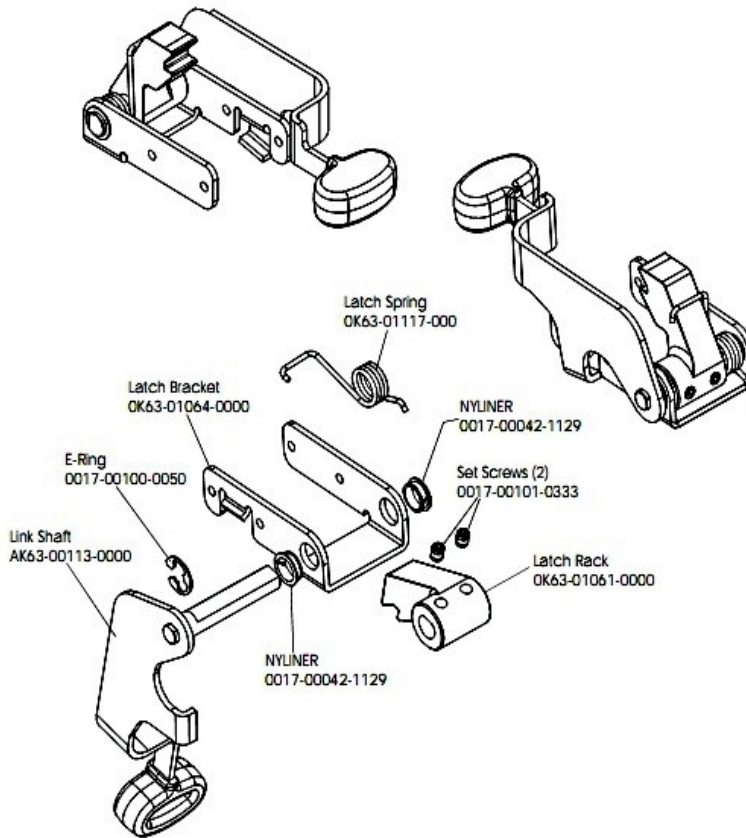
Ref #	Part Number	Qty	Description
-	OK63-01215-0000	1	Hardware: Resistor Retainer
-	OK63-01166-0000	1	Resistor Mounting Rod
-	0017-00103-0081	3	Hardware: Hex Nut ID
-	0017-00101-1282	2	Hardware: TORX Screw 0.375"
-	100E-00002-0092	1	Resistor .5 OHM 240 Watt
-	OK63-01165-0000	2	Resistor Bracket

Right Side Shroud and Crank Arm



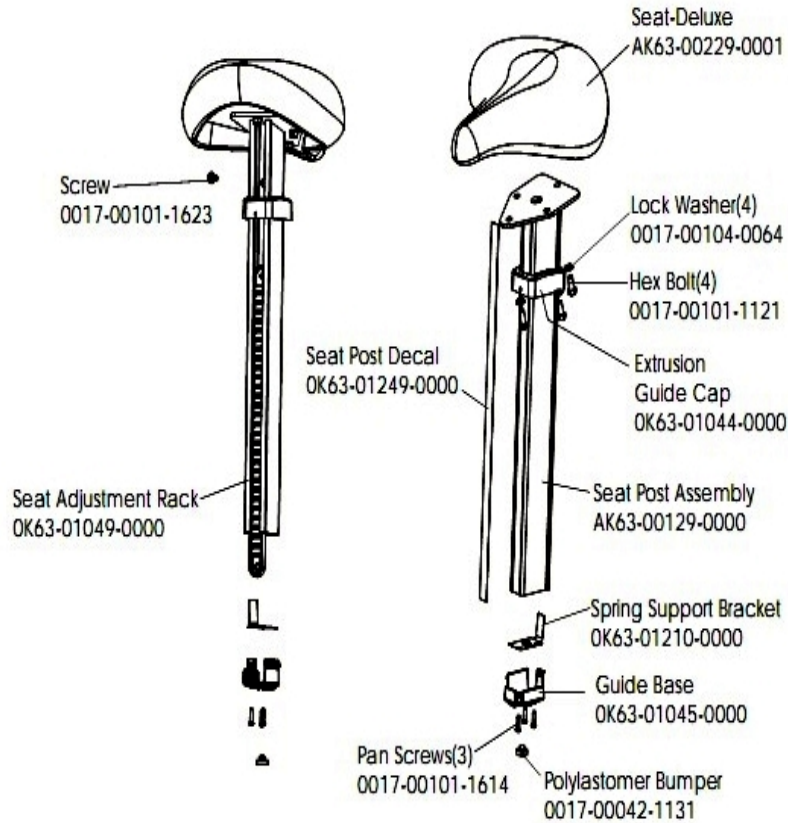
Ref #	Part Number	Qty	Description
-	0017-00101-0991	8	Hardware: Phillips Pan Screw 0.75"
-	0017-00101-1702	3	Hardware: Screw
-	OK63-01238-0001	1	Right Pedal Strap
-	AK63-00186-0001	1	Right Side Shroud
-	AK63-00263-0001	1	Right Pedal
-	OK39-01042-0007	1	Crank Arm: Right
-	OK63-01323-0000	1	Decal
-	OK63-01265-0000	1	Decal

Seat Latch Assembly



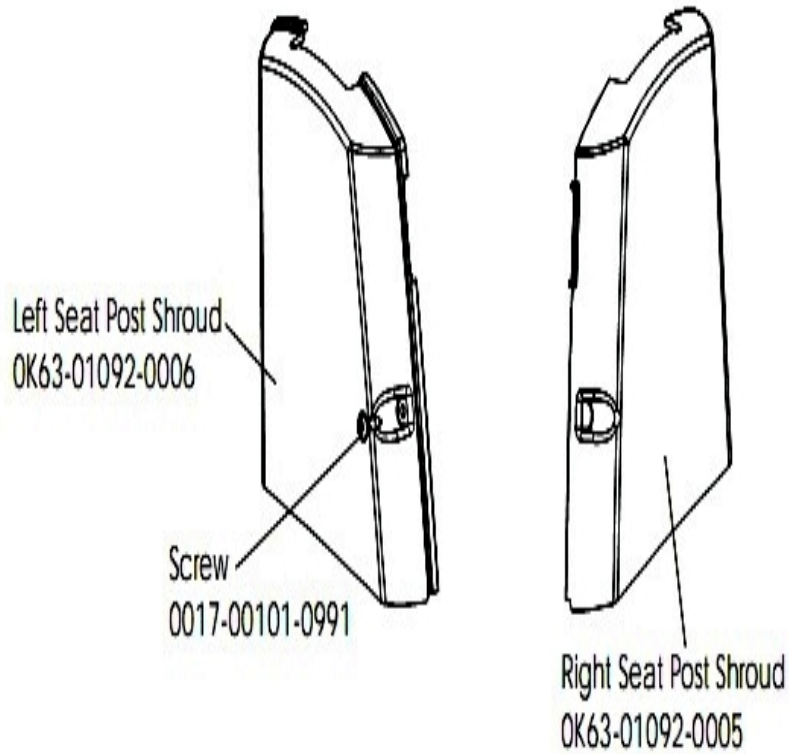
Ref #	Part Number	Qty	Description
-	0017-00042-1129	2	Hardware: Nyliner Ring - 1/2" Diameter
-	OK63-01117-0000	1	Latch Spring
-	AK63-00113-0000	1	Link Shaft
-	0017-00100-0050	1	Hardware: E-Ring .5"
-	AK63-00043-0000	1	Seat Latch Assembly
-	OK63-01061-0000	1	Latch Rack
-	OK63-01064-0000	1	Latch Bracket
-	0017-00101-0333	2	Hardware: Screw 0.3125"

Seat Post Assembly



Ref #	Part Number	Qty	Description
-	AK63-00134-0000	1	Seat Post Assembly
-	AK63-00229-0001	1	Seat-Deluxe
-	0017-00101-1121	4	Hardware: Bolt 4.6875"
-	AK63-00129-0000	1	Seat Post Assembly
-	OK63-01210-0000	1	Spring Support Bracket
-	0017-00101-1623	1	Hardware: Screw
-	OK63-01045-0000	1	Guide Base
-	OK63-01249-0000	1	Seat Post Decal
-	0017-00101-1614	3	Hardware: Screw 0.625"
-	0017-00042-1131	1	Bumper
-	OK63-01044-0000	1	Extrusion Guide Cap
-	OK63-01049-0000	1	Seat Adjustment Rack
-	0017-00104-0064	4	Hardware: Lock Washer 0.586" OD

Seat Post Shrouds



Ref #	Part Number	Qty	Description
-	OK63-01092-0005	1	Right Seat Post Shroud
-	0017-00101-0991	1	Hardware: Phillips Pan Screw 0.75"
-	OK63-01092-0006	1	Left Seat Post Shroud

