

95CXXL Lifecycle - Extended Version

95CXXL-0103-01

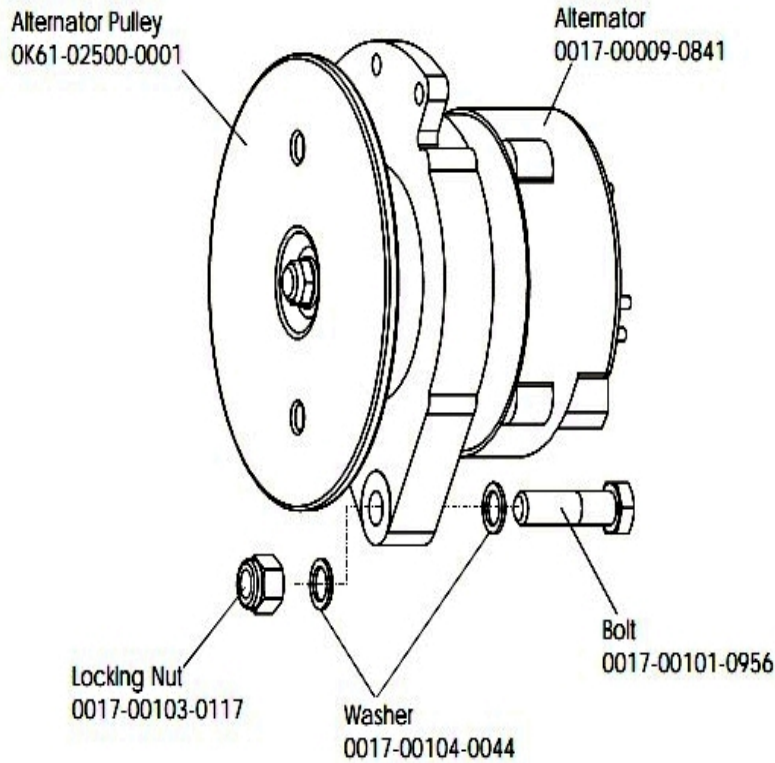
Parts Manual

1/5/2019 9:40:09 AM

Table of Contents

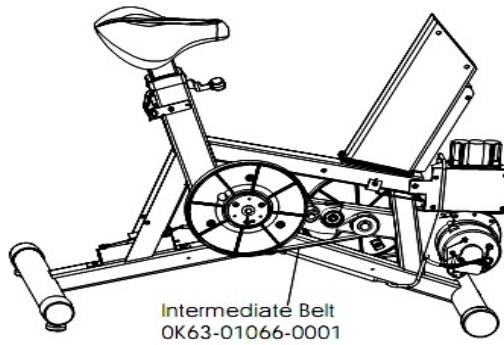
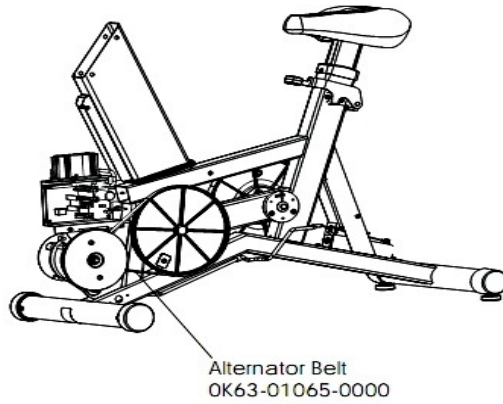
Alternator with Pulley	3
Belts	4
Cables	5
Console Overlay Bezel Assembly	6
Console Support Assembly	7
Crankshaft and Bearing Assembly	8
Final Frame Assembly	9
Front Wheel Assembly	10
General Assembly	11
Handlebar Assembly	12
Idler Bracket Assembly	13
Intermediate Shaft and Bearing Assembly	14
Left Side Shroud and Crank Arm	15
PCB Mounting Bracket Assembly	16
Resistor Assembly	17
Right Side Shroud and Crank Arm	18
Seat Latch Assembly	19
Seat Post Assembly	20
Seat Post Shrouds	21

Alternator with Pulley



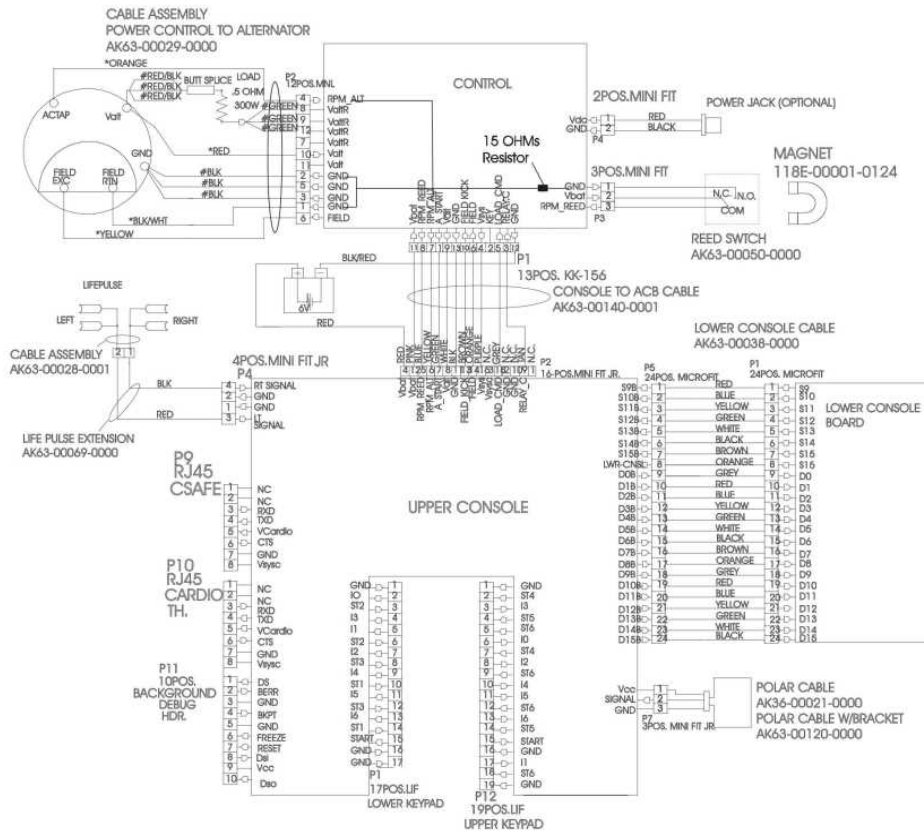
Ref #	Part Number	Qty	Description
-	OK61-01027-0000	1	Flywheel: 6.75" D
-	0017-00103-0117	1	Hardware: Locking Nut 1/2" ID
-	0017-00101-0956	1	Hardware: Bolt 2"
-	0017-00104-0044	2	Hardware: Washer 0.75" OD
-	0017-00009-0841	1	Alternator
-	AK63-00093-0000	1	Alternator w/Pulley

Belts



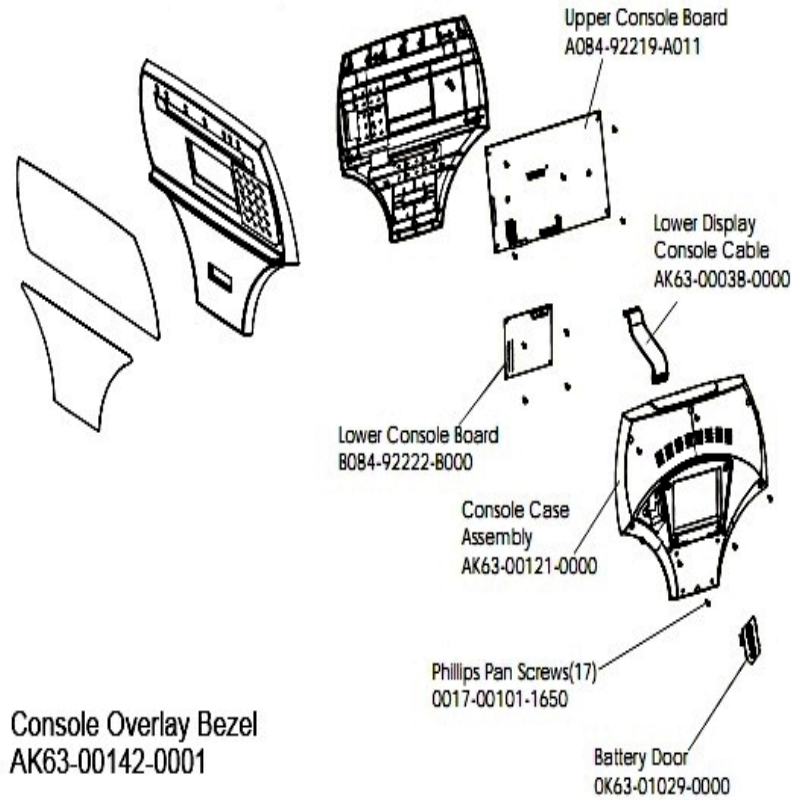
Ref #	Part Number	Qty	Description
-	OK63-01405-0000	1	BELT: POLY-V; 390J6; 39.00 IN
-	GK63-00002-0079	1	Kit: Upright/Rec Belt And Pulley

Cables



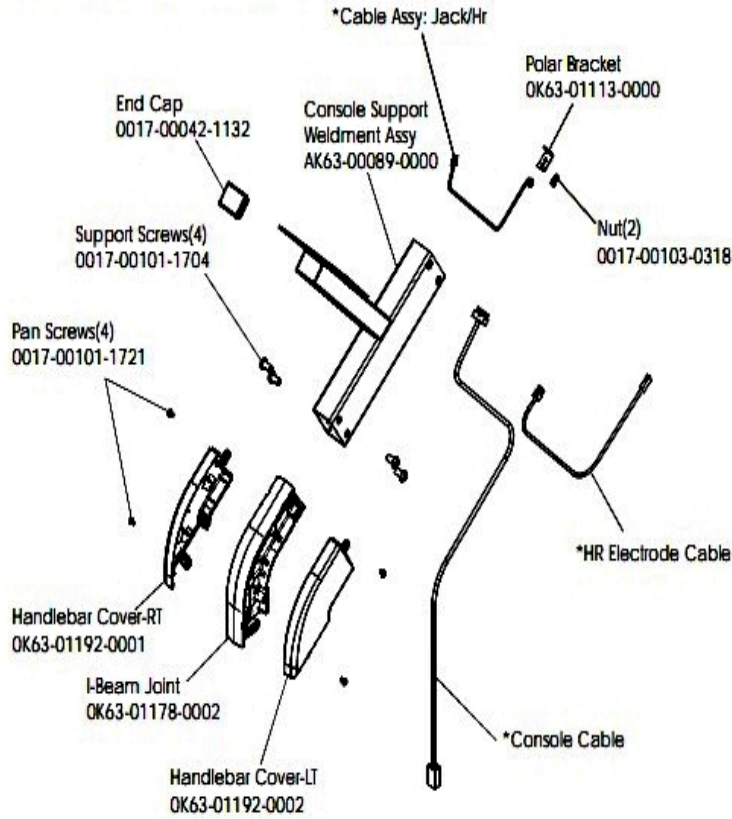
Ref #	Part Number	Qty	Description
-	AK36-00021-0000	1	Polar Cable
-	AK63-00050-0000	1	Reed Switch Bracket Assembly
-	AK63-00069-0000	1	Heart Rate Cable
-	AK63-00038-0000	1	Lower Console Cable
-	AK63-00028-0001	1	LifePulse Cable
-	118E-00001-0124	1	Auto-Start Magnet
-	AK63-00140-0001	1	Console Cable
-	AK63-00029-0000	1	Power Control to Alternator
-	AK63-00120-0000	1	Polar Cable with Bracket

Console Overlay Bezel Assembly



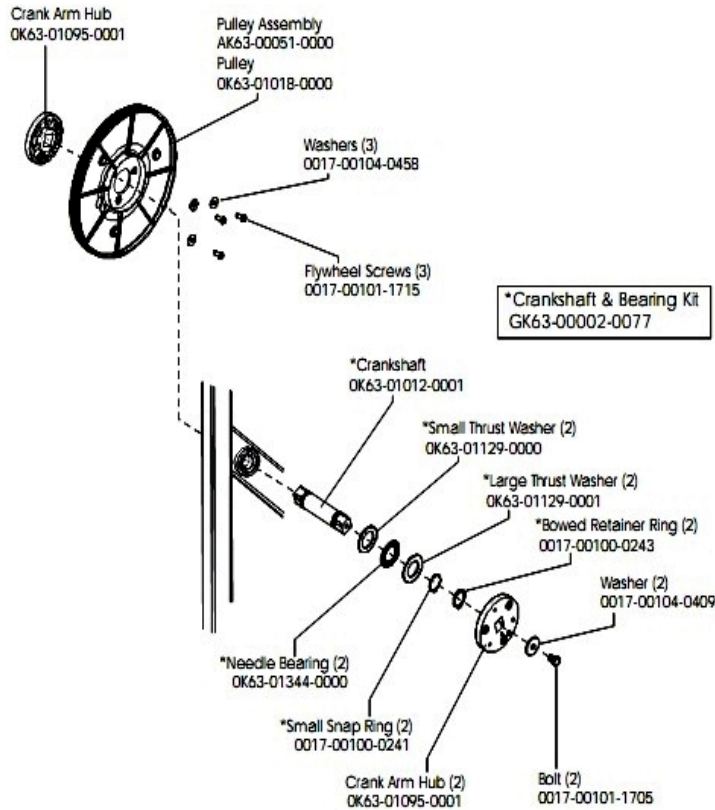
Ref #	Part Number	Qty	Description
-	AK63-00141-0001	1	Console Assembly English Metric
-	AK63-00038-0000	1	Lower Console Cable
-	AK63-00142-0001	1	Bezel/Switch with Overlay English Metric
-	B084-92222-B000	1	Console Board - Lower
-	A084-92219-A011	1	Console Board - Upper
-	0017-00101-1650	17	Hardware: Phillips Pan Screw 0.375"
-	AK63-00121-0000	1	Console Case Assembly
-	OK63-01029-0000	1	Battery Door

Console Support Assembly



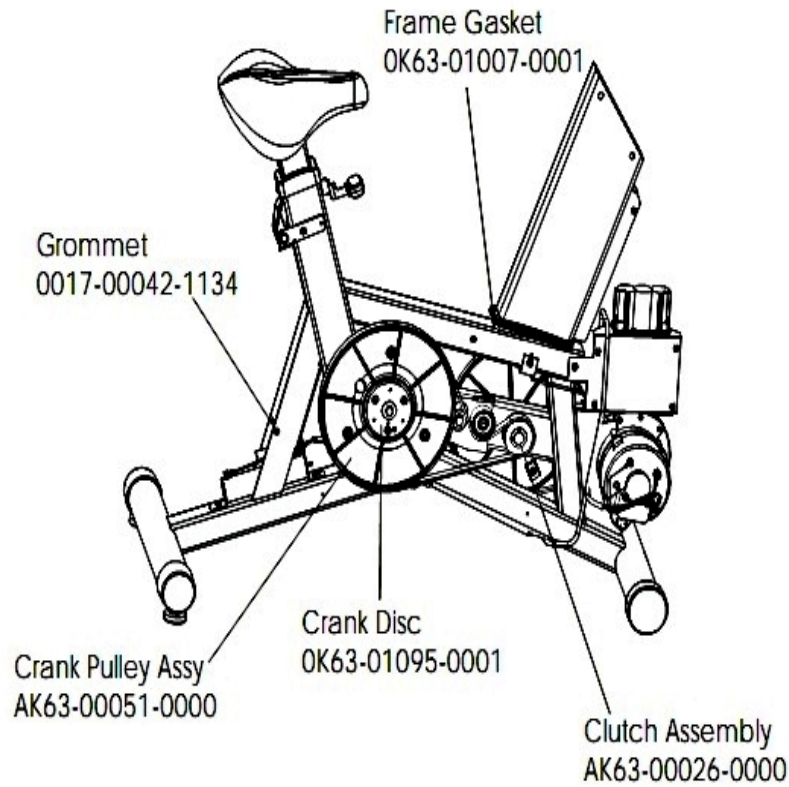
Ref #	Part Number	Qty	Description
-	OK63-01192-0001	1	Console Support Elbow Cover: Right 6"
-	OK63-01113-0000	1	Polar Bracket
-	OK63-01178-0002	1	Console Support Elbow 6"
-	0017-00101-1736	4	Hardware: Support Screw
-	0017-00101-1721	4	Hardware: Pan Screw
-	AK63-00139-0000	1	Console Support Assembly
-	OK63-01192-0002	1	Console Support Elbow Cover: Left 6"
-	0017-00103-0318	2	Hardware: Nut
-	AK63-00089-0000	1	Console Support Weldment Assembly
-	0017-00042-1132	1	End Cap

Crankshaft and Bearing Assembly



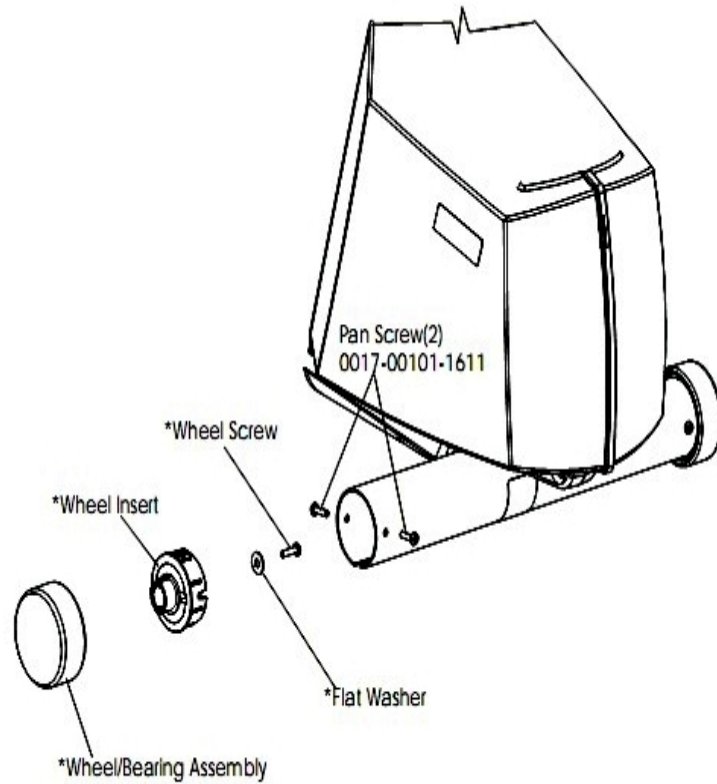
Ref #	Part Number	Qty	Description
-	OK63-01095-0001	3	Crank Arm Hub
-	OK63-01129-0000	2	Hardware: Small Thrust Washer
-	0017-00100-0243	2	Hardware: Bowed Retaining Ring .984"
-	AK63-00051-0000	1	Pulley Assembly
-	OK63-01129-0001	2	Hardware: Large Thrust Washer
-	0017-00100-0241	2	Hardware: Small Snap Ring .984"
-	OK63-01018-0000	1	Crank Pulley
-	OK63-01012-0001	1	Crankshaft
-	GK63-00002-0077	1	Crankshaft and Bearing Kit
-	0017-00101-1855	1	Hardware: TORX Screw 0.875"
-	0017-00101-1705	2	Hardware: Bolt 0.5"
-	OK63-01344-0000	2	Hardware: Needle Bearing
-	0017-00104-0458	3	Hardware: Flat Washer 0.75" OD
-	0017-00104-0409	2	Hardware: Washer 1.125" OD

Final Frame Assembly



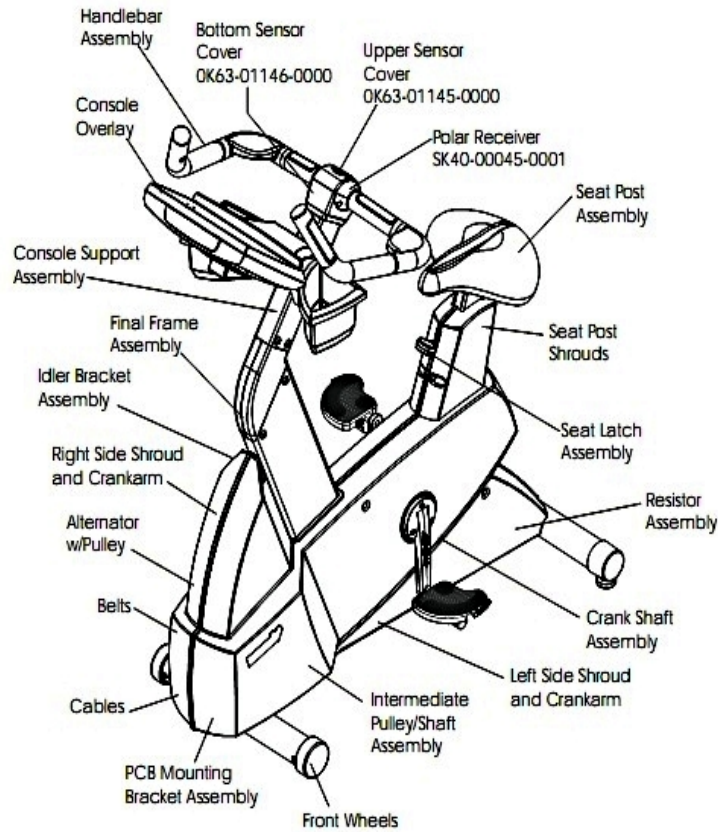
Ref #	Part Number	Qty	Description
-	GK63-00002-0079	1	Kit: Upright/Rec Belt And Pulley
-	OK63-01095-0001	1	Crank Arm Hub
-	0017-00042-1134	1	Grommet
-	AK63-00051-0000	1	Pulley Assembly
-	OK63-01007-0001	1	Frame Gasket

Front Wheel Assembly



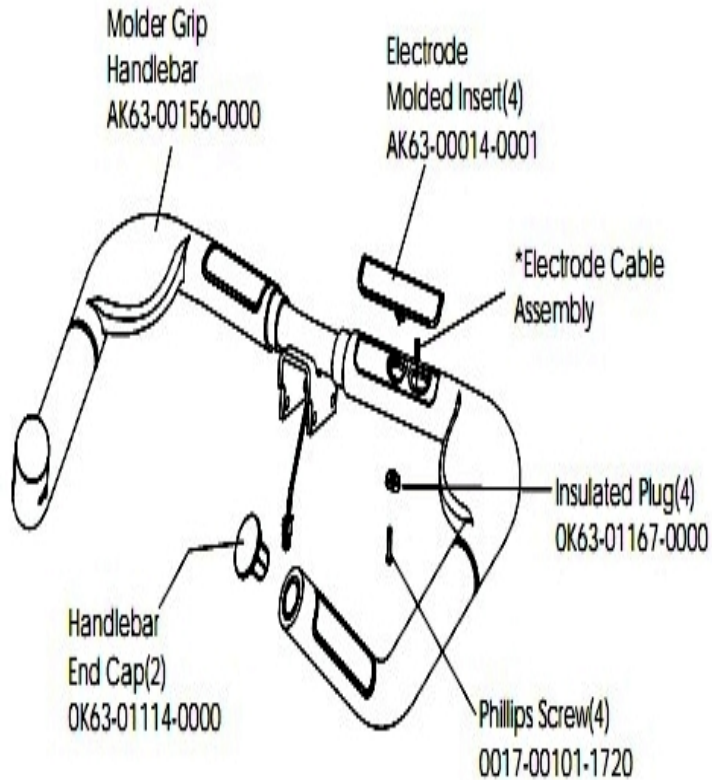
Ref #	Part Number	Qty	Description
-	0017-00101-1611	4	Hardware: Insert Screw
-	AK63-00017-0000	2	Wheel/Bearing Assembly

General Assembly



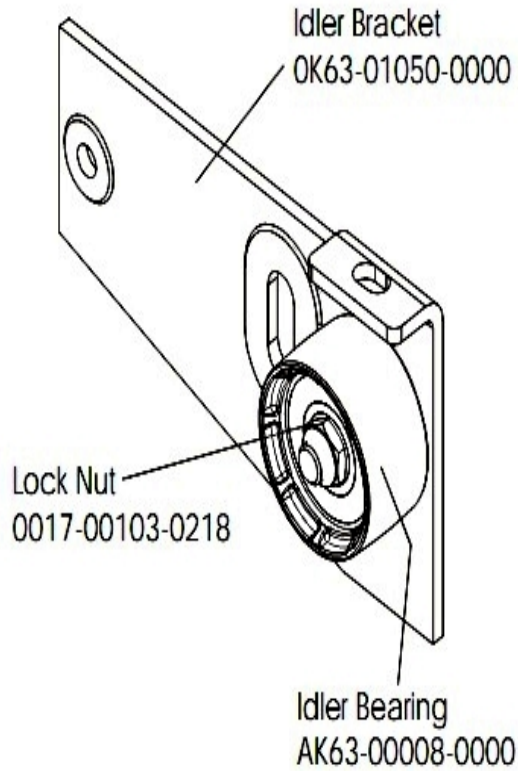
Ref #	Part Number	Qty	Description
-	OK63-01145-0000	1	Upper Sensor Cover
-	GK63-00002-0039	1	Power Option Kit: 220/50 UK
-	GK63-00002-0041	1	Power Option Kit: 220/50
-	SK40-00045-0001	1	Polar HR Kit
-	OK63-01146-0000	1	Bottom Sensor Cover

Handlebar Assembly



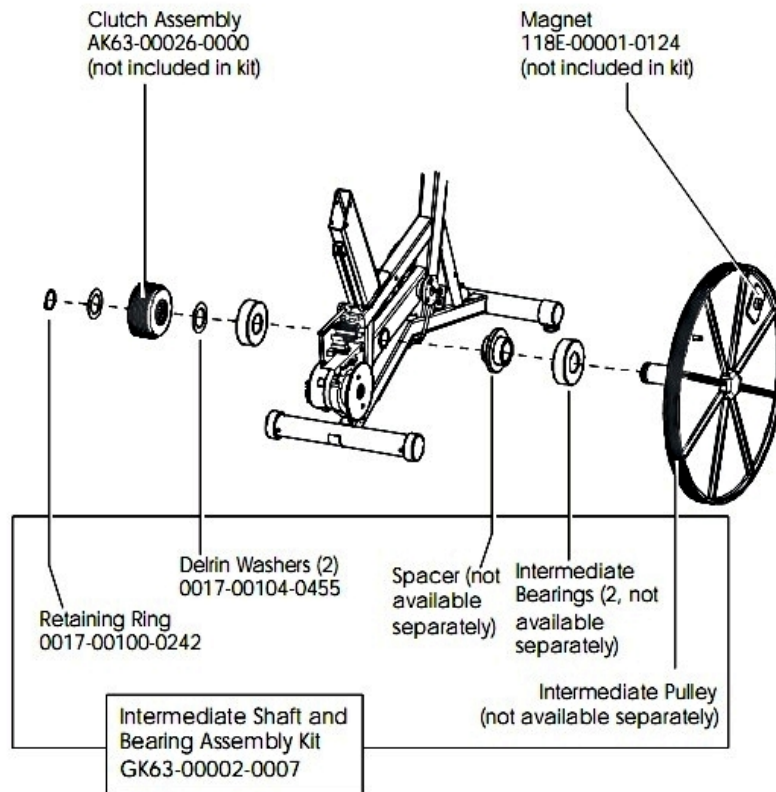
Ref #	Part Number	Qty	Description
-	0017-00101-1720	4	Hardware: Mounting Screw 1"
-	OK63-01167-0000	4	Insulated Plug
-	AK63-00156-0000	1	Molder Grip Handlebar
-	AK63-00091-0000	1	Handlebar Assembly
-	OK63-01114-0000	2	Cap
-	AK63-00014-0002	4	ELECTRODE-INSERT ASSY: RED; PURCH S/C-D

Idler Bracket Assembly



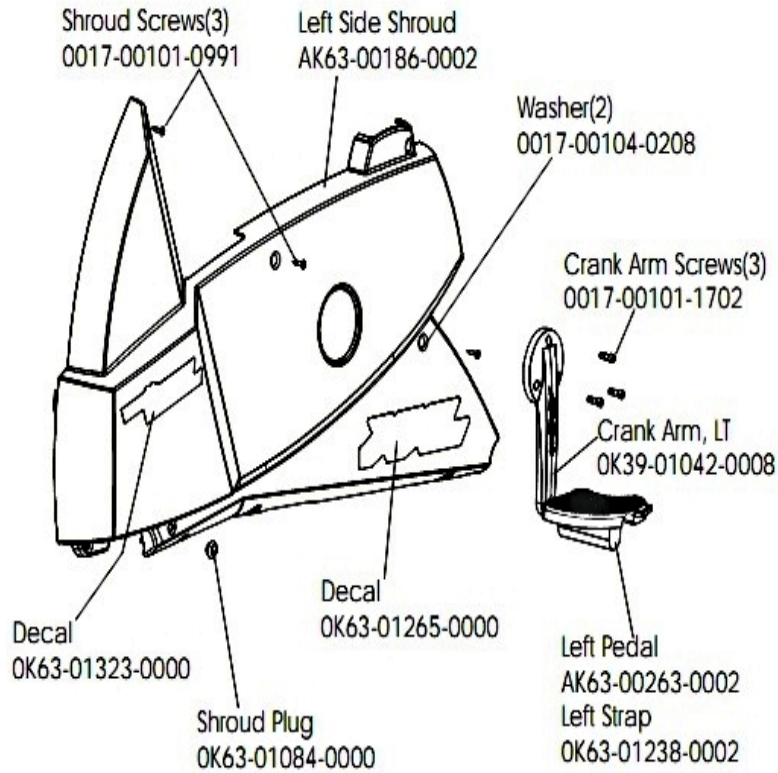
Ref #	Part Number	Qty	Description
-	AK63-00008-0000	1	Idler w/Bearing
-	OK63-01050-0000	1	Idler Bracket
-	AK63-00021-0000	1	Idler Bracket Assembly
-	0017-00103-0218	1	Hardware: Lock Nut 3/8" ID

Intermediate Shaft and Bearing Assembly



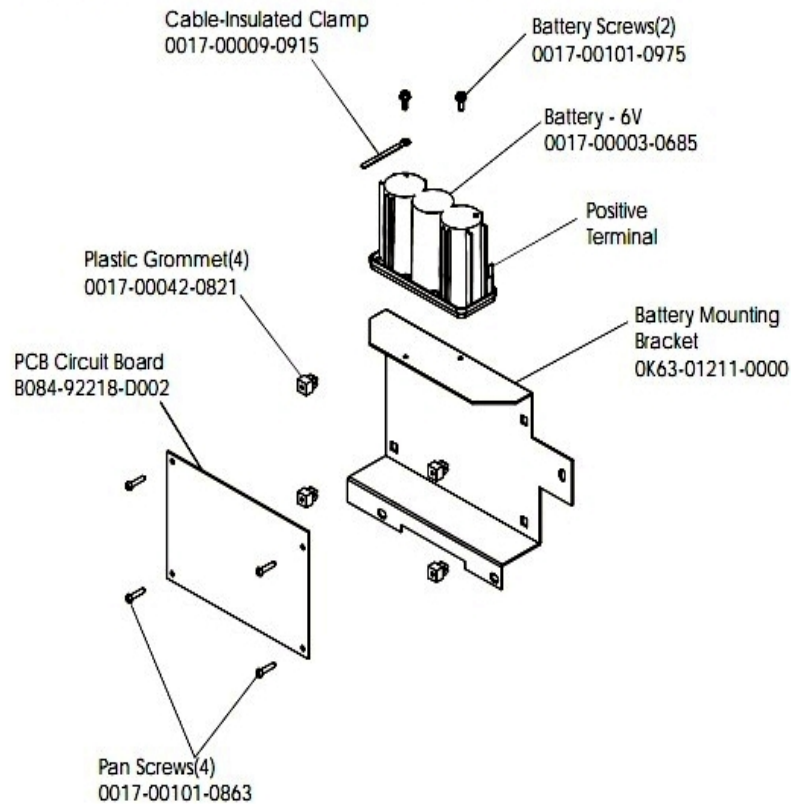
Ref #	Part Number	Qty	Description
-	GK63-00002-0007	1	Intermediate Shaft and Bearing Assembly
-	0017-00100-0242	1	Hardware: Retaining Ring .781"
-	118E-00001-0124	1	Auto-Start Magnet
-	0017-00104-0455	2	Hardware: Delrin Washer 1.250" OD
-	GK63-00002-0079	1	Kit: Upright/Rec Belt And Pulley

Left Side Shroud and Crank Arm



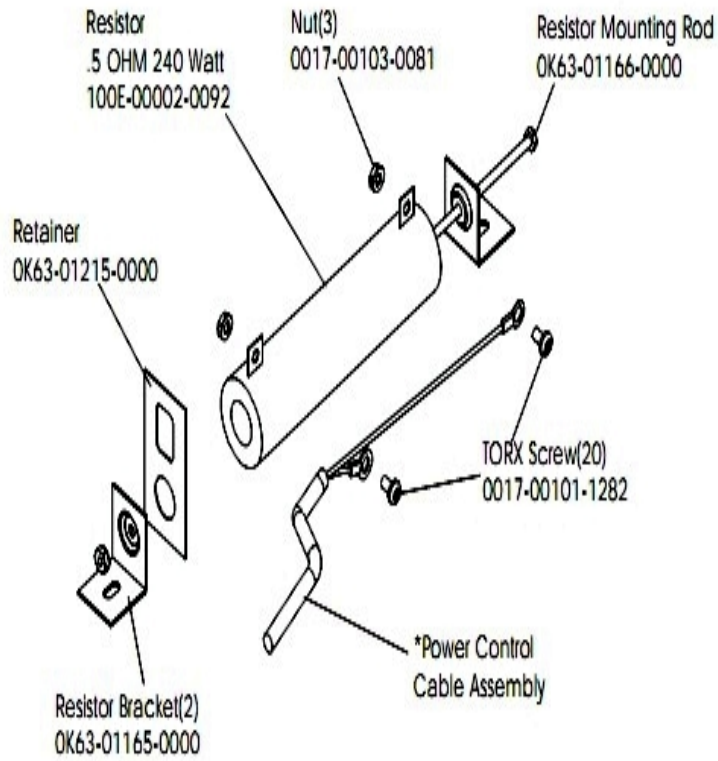
Ref #	Part Number	Qty	Description
-	OK63-01323-0000	1	Decal
-	OK39-01042-0008	1	Crank Arm: Left
-	AK63-00186-0002	1	Left Side Shroud
-	OK63-01238-0002	1	Left Pedal Strap
-	0017-00101-0991	3	Hardware: Phillips Pan Screw 0.75"
-	OK63-01265-0000	1	Decal
-	0017-00104-0208	2	Hardware: Washer
-	0017-00101-1702	3	Hardware: Screw
-	AK63-00263-0002	1	Left Pedal
-	OK63-01084-0000	1	Shroud Plug

PCB Mounting Bracket Assembly



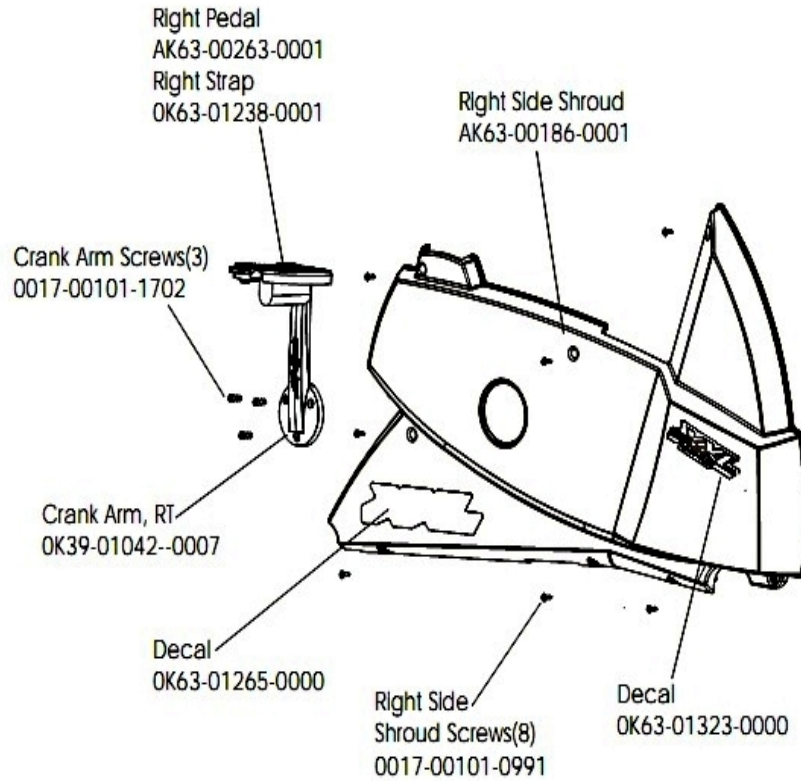
Ref #	Part Number	Qty	Description
-	0017-00101-0975	2	Hardware: Mounting Bolt 0.375"
-	AK63-00049-0000	1	PCB Mounting Bracket
-	0017-00003-0685	1	6V Battery
-	0017-00009-0915	1	Cable-Insulated Clamp
-	B084-92218-0000	1	PCB Circuit Board
-	0K63-01211-0000	1	Battery Mounting Bracket
-	0017-00101-0823	4	Hardware: Screw 0.75"
-	0017-00042-0821	4	Hardware: Plastic Grommet

Resistor Assembly



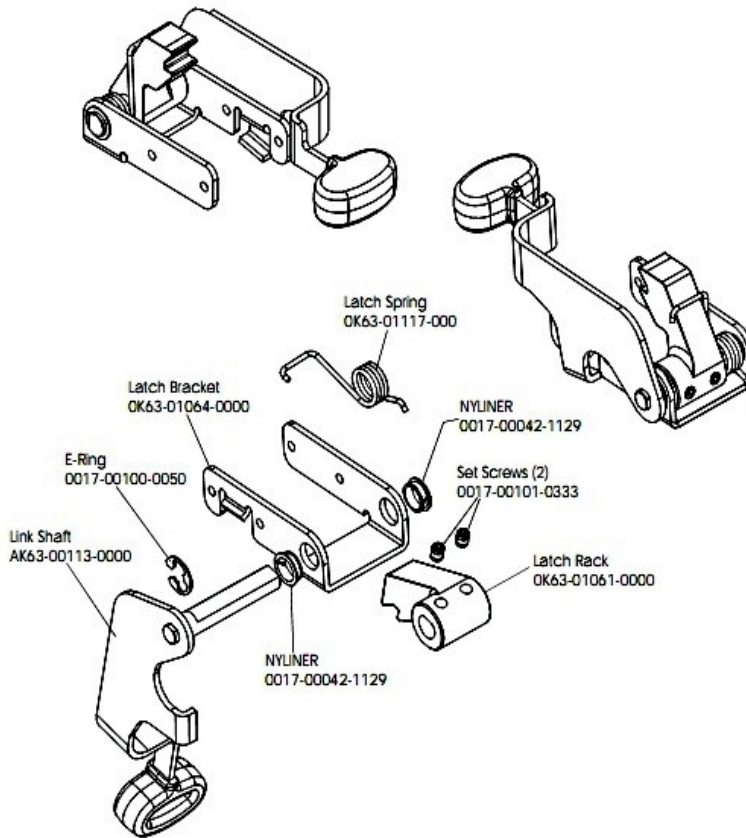
Ref #	Part Number	Qty	Description
-	0017-00103-0081	3	Hardware: Hex Nut ID
-	OK63-01165-0000	2	Resistor Bracket
-	OK63-01166-0000	1	Resistor Mounting Rod
-	100E-00002-0092	1	Resistor .5 OHM 240 Watt
-	0017-00101-1282	2	Hardware: TORX Screw 0.375"
-	OK63-01215-0000	1	Hardware: Resistor Retainer

Right Side Shroud and Crank Arm



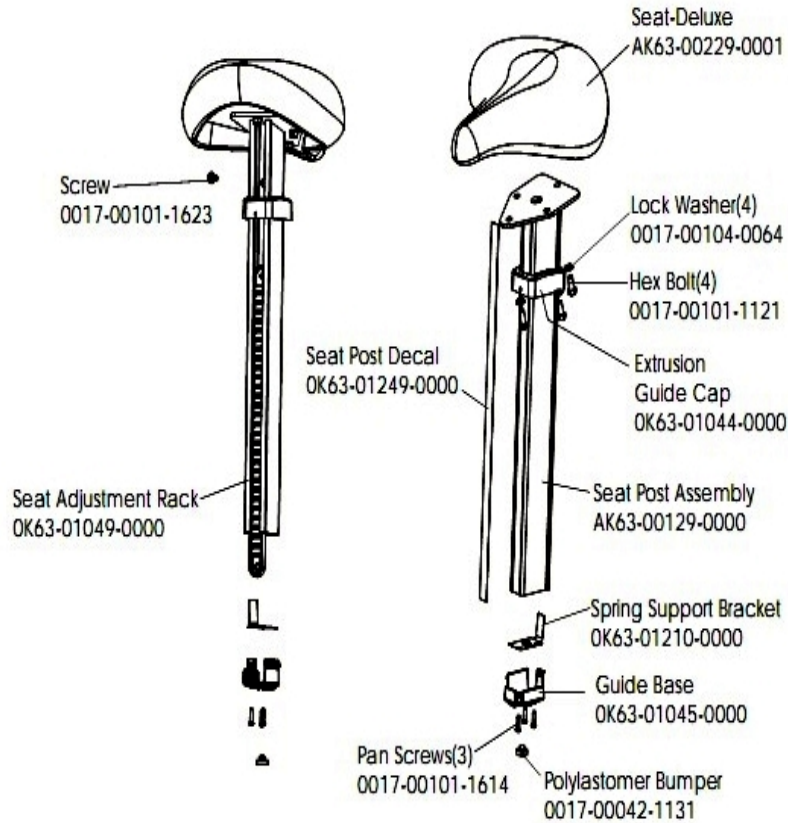
Ref #	Part Number	Qty	Description
-	OK63-01323-0000	1	Decal
-	OK39-01042-0007	1	Crank Arm: Right
-	AK63-00263-0001	1	Right Pedal
-	OK63-01265-0000	1	Decal
-	OK63-01238-0001	1	Right Pedal Strap
-	0017-00101-1702	3	Hardware: Screw
-	0017-00101-0991	8	Hardware: Phillips Pan Screw 0.75"
-	AK63-00186-0001	1	Right Side Shroud

Seat Latch Assembly



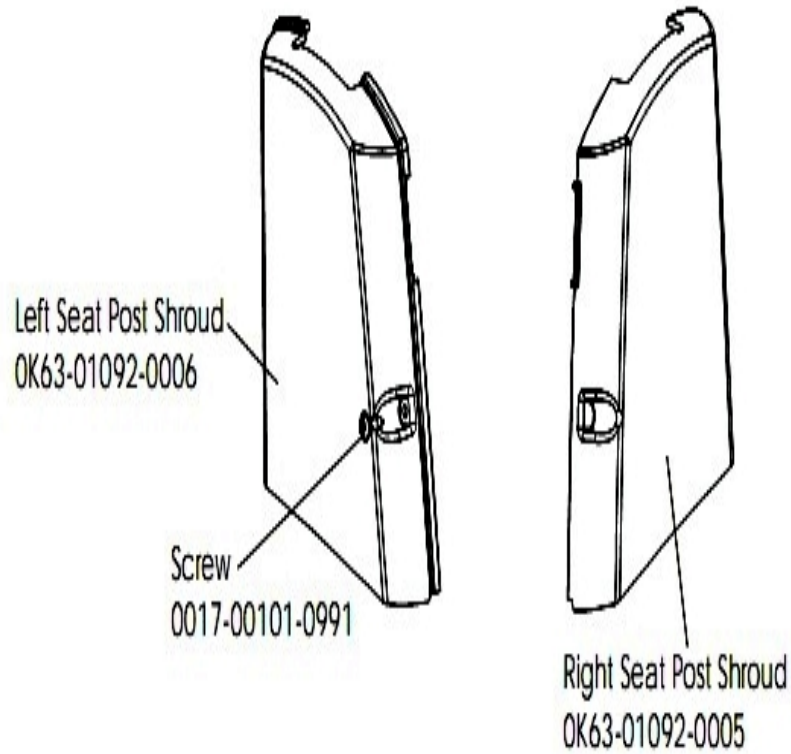
Ref #	Part Number	Qty	Description
-	0017-00042-1129	2	Hardware: Nyliner Ring - 1/2" Diameter
-	OK63-01117-0000	1	Latch Spring
-	AK63-00113-0000	1	Link Shaft
-	0017-00100-0050	1	Hardware: E-Ring .5"
-	AK63-00043-0000	1	Seat Latch Assembly
-	OK63-01061-0000	1	Latch Rack
-	OK63-01064-0000	1	Latch Bracket
-	0017-00101-0333	2	Hardware: Screw 0.3125"

Seat Post Assembly



Ref #	Part Number	Qty	Description
-	AK63-00134-0000	1	Seat Post Assembly
-	AK63-00229-0001	1	Seat-Deluxe
-	0017-00101-1121	4	Hardware: Bolt 4.6875"
-	AK63-00129-0000	1	Seat Post Assembly
-	OK63-01210-0000	1	Spring Support Bracket
-	0017-00101-1623	1	Hardware: Screw
-	OK63-01045-0000	1	Guide Base
-	OK63-01249-0000	1	Seat Post Decal
-	0017-00101-1614	3	Hardware: Screw 0.625"
-	0017-00042-1131	1	Bumper
-	OK63-01044-0000	1	Extrusion Guide Cap
-	OK63-01049-0000	1	Seat Adjustment Rack
-	0017-00104-0064	4	Hardware: Lock Washer 0.586" OD

Seat Post Shrouds



Ref #	Part Number	Qty	Description
-	OK63-01092-0005	1	Right Seat Post Shroud
-	0017-00101-0991	1	Hardware: Phillips Pan Screw 0.75"
-	OK63-01092-0006	1	Left Seat Post Shroud

