

95CXXL Lifecycle - Extended Version

95CXXL-0601-01

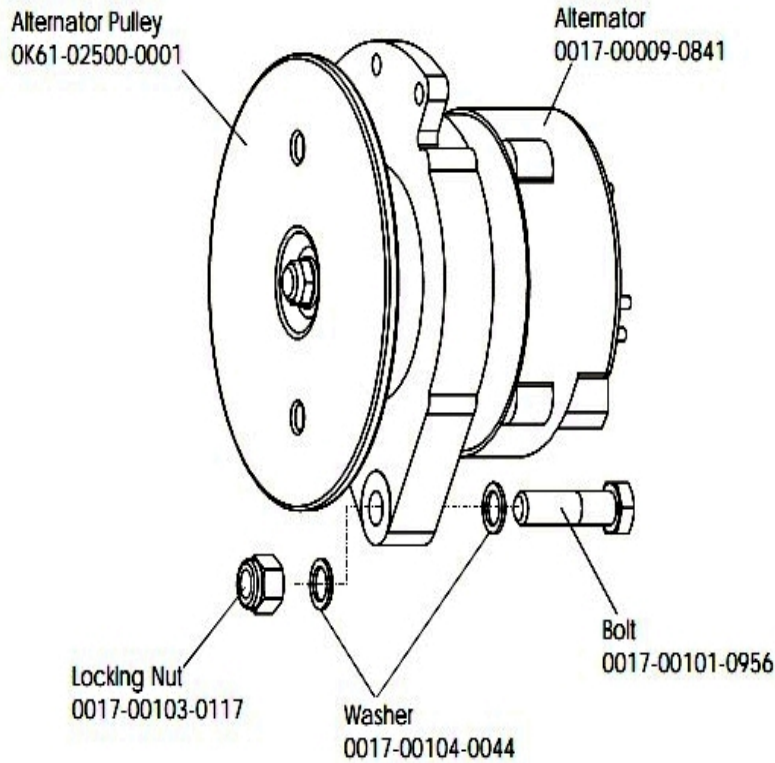
Parts Manual

1/5/2019 9:40:16 AM

Table of Contents

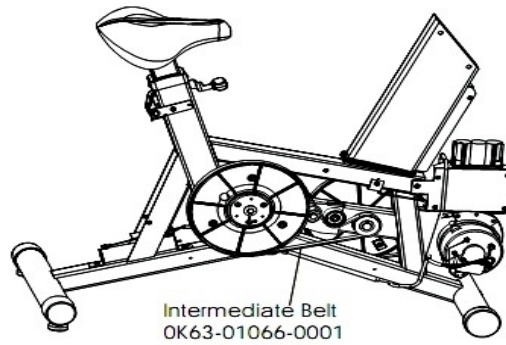
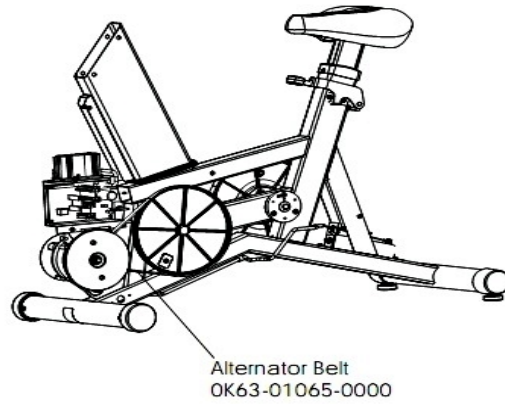
Alternator with Pulley	3
Belts	4
Cables	5
Console Overlay Bezel Assembly	6
Console Support Assembly	7
Crankshaft and Bearing Assembly	8
Final Frame Assembly	9
Front Wheel Assembly	10
General Assembly	11
Handlebar Assembly	12
Idler Bracket Assembly	13
Intermediate Shaft and Bearing Assembly	14
Left Side Shroud and Crank Arm	15
PCB Mounting Bracket Assembly	16
Resistor Assembly	17
Right Side Shroud and Crank Arm	18
Seat Latch Assembly	19
Seat Post Assembly	20
Seat Post Shrouds	21

Alternator with Pulley



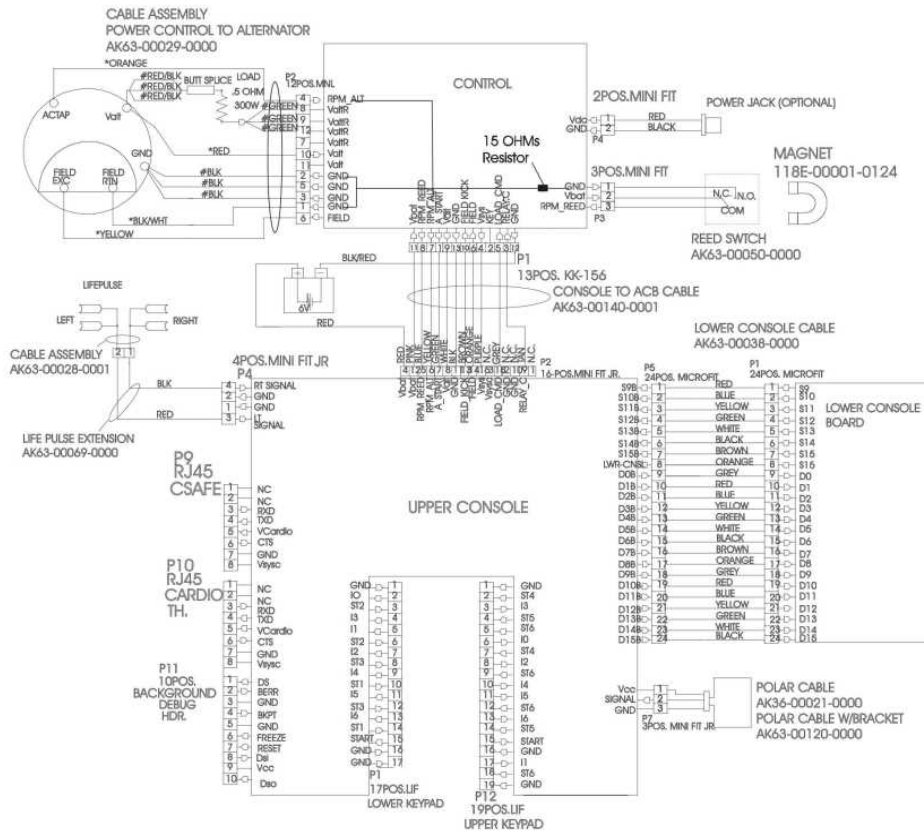
Ref #	Part Number	Qty	Description
-	OK61-01027-0000	1	Flywheel: 6.75" D
-	0017-00103-0117	1	Hardware: Locking Nut 1/2" ID
-	0017-00101-0956	1	Hardware: Bolt 2"
-	0017-00104-0044	2	Hardware: Washer 0.75" OD
-	0017-00009-0841	1	Alternator
-	AK63-00093-0000	1	Alternator w/Pulley

Belts



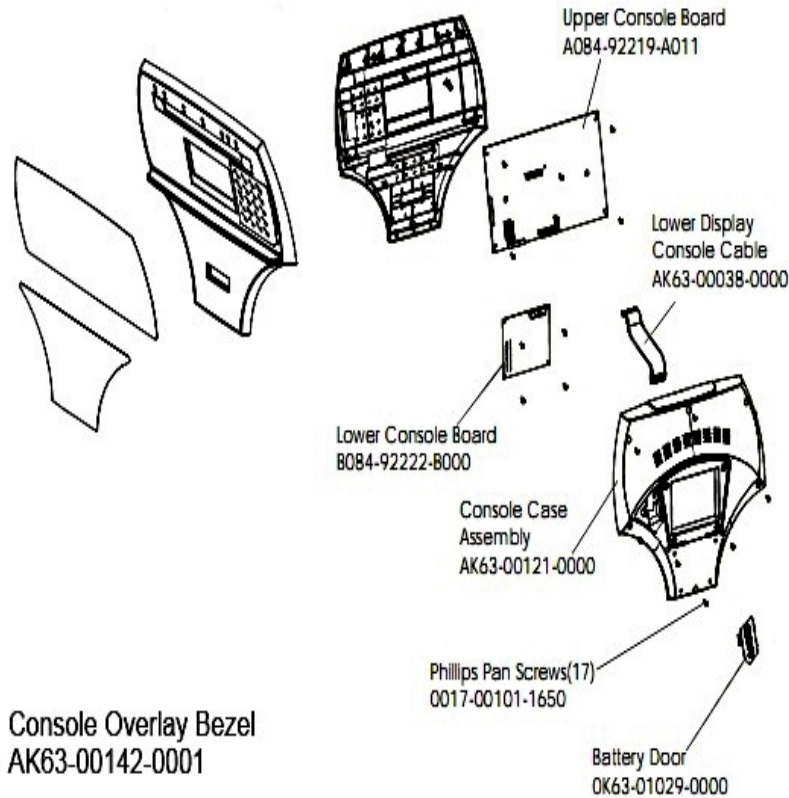
Ref #	Part Number	Qty	Description
-	OK63-01405-0000	1	BELT: POLY-V; 390J6; 39.00 IN
-	GK63-00002-0079	1	Kit: Upright/Rec Belt And Pulley

Cables



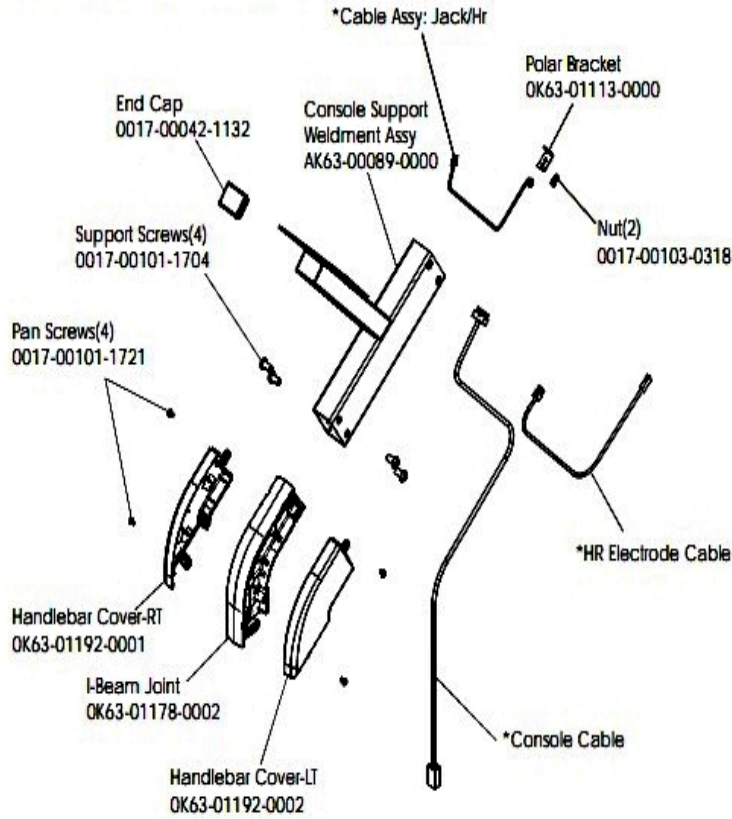
Ref #	Part Number	Qty	Description
-	118E-00001-0124	1	Auto-Start Magnet
-	AK63-00069-0000	1	Heart Rate Cable
-	AK36-00021-0000	1	Polar Cable
-	AK63-00038-0000	1	Lower Console Cable
-	AK63-00050-0000	1	Reed Switch Bracket Assembly
-	AK63-00140-0001	1	Console Cable
-	AK63-00120-0000	1	Polar Cable with Bracket
-	AK63-00029-0000	1	Power Control to Alternator
-	AK63-00028-0001	1	LifePulse Cable

Console Overlay Bezel Assembly



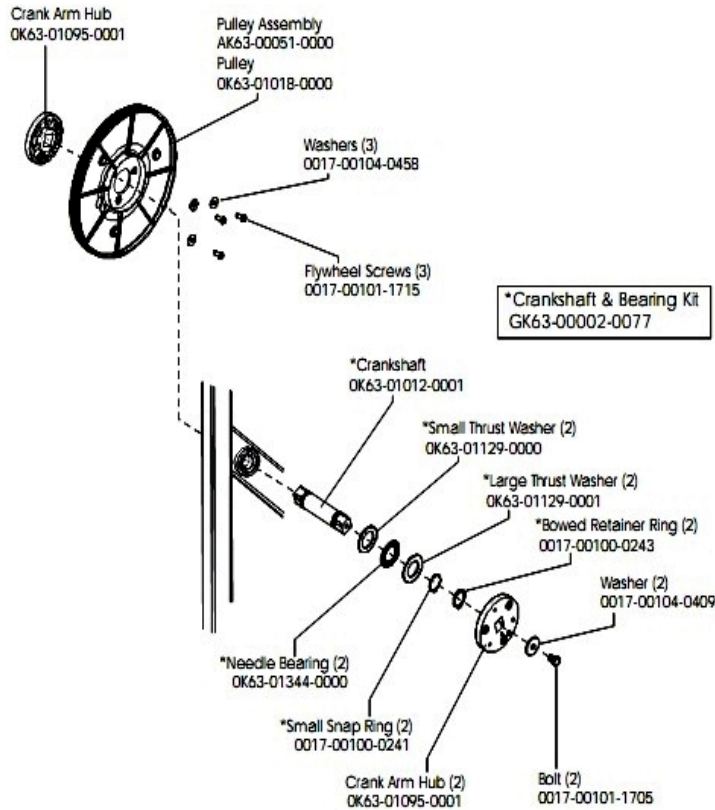
Ref #	Part Number	Qty	Description
-	AK63-00141-0009	1	Console Assembly Dutch Metric
-	AK63-00038-0000	1	Lower Console Cable
-	OK63-01029-0000	1	Battery Door
-	AK63-00142-0009	1	Bezel/Switch with Overlay Dutch Metric
-	A084-92219-A011	1	Console Board - Upper
-	B084-92222-B000	1	Console Board - Lower
-	AK63-00121-0000	1	Console Case Assembly
-	0017-00101-1650	17	Hardware: Phillips Pan Screw 0.375"

Console Support Assembly



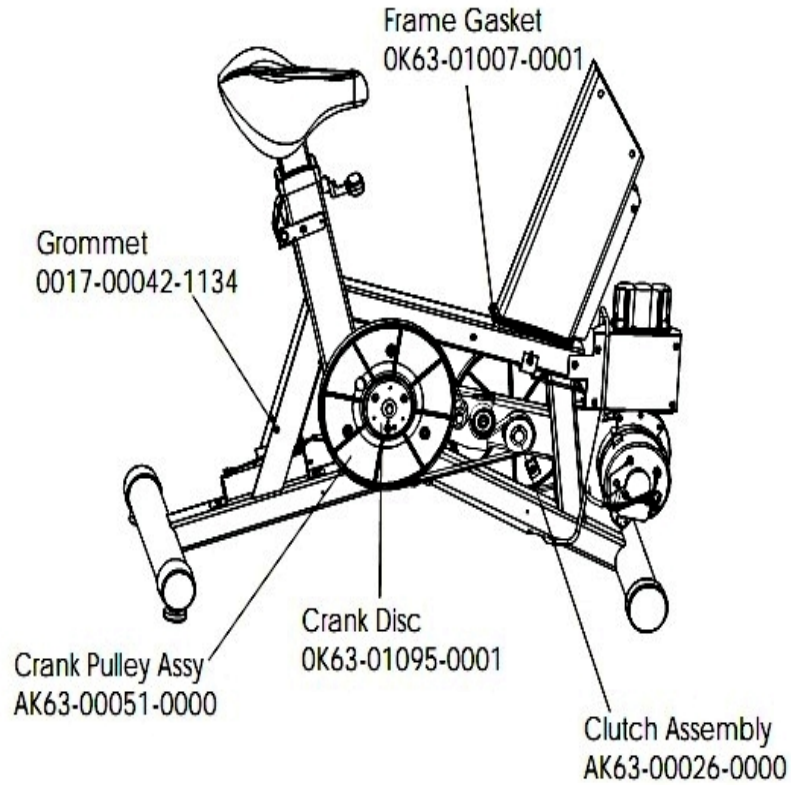
Ref #	Part Number	Qty	Description
-	OK63-01192-0001	1	Console Support Elbow Cover: Right 6"
-	OK63-01113-0000	1	Polar Bracket
-	OK63-01178-0002	1	Console Support Elbow 6"
-	0017-00101-1736	4	Hardware: Support Screw
-	0017-00101-1721	4	Hardware: Pan Screw
-	AK63-00139-0000	1	Console Support Assembly
-	OK63-01192-0002	1	Console Support Elbow Cover: Left 6"
-	0017-00103-0318	2	Hardware: Nut
-	AK63-00089-0000	1	Console Support Weldment Assembly
-	0017-00042-1132	1	End Cap

Crankshaft and Bearing Assembly



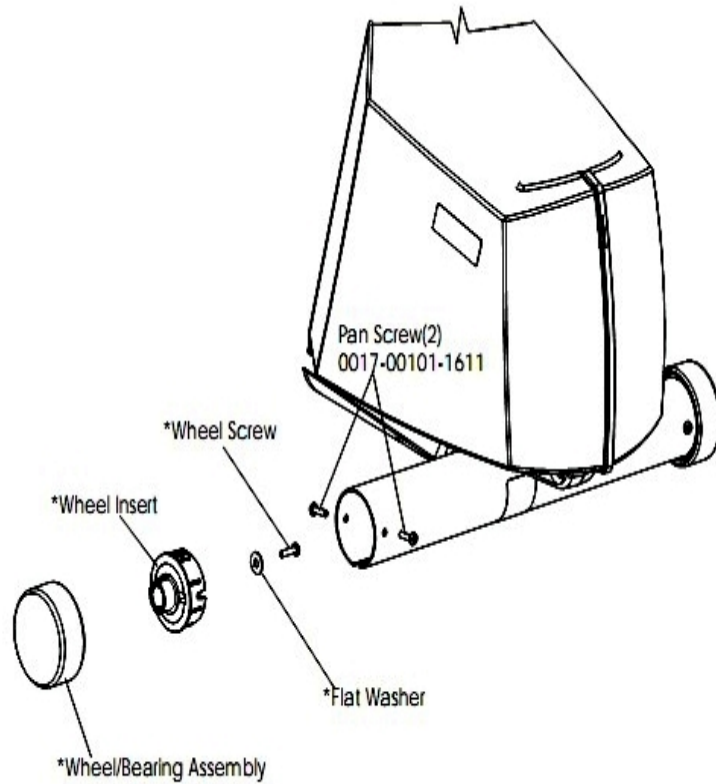
Ref #	Part Number	Qty	Description
-	0017-00101-1855	1	Hardware: TORX Screw 0.875"
-	OK63-01095-0001	3	Crank Arm Hub
-	OK63-01129-0000	2	Hardware: Small Thrust Washer
-	0017-00100-0243	2	Hardware: Bowed Retaining Ring .984"
-	AK63-00051-0000	1	Pulley Assembly
-	0017-00100-0241	2	Hardware: Small Snap Ring .984"
-	0017-00104-0458	3	Hardware: Flat Washer 0.75" OD
-	OK63-01012-0001	1	Crankshaft
-	GK63-00002-0077	1	Crankshaft and Bearing Kit
-	OK63-01129-0001	2	Hardware: Large Thrust Washer
-	0017-00101-1705	2	Hardware: Bolt 0.5"
-	OK63-01344-0000	2	Hardware: Needle Bearing
-	OK63-01018-0000	1	Crank Pulley
-	0017-00104-0409	2	Hardware: Washer 1.125" OD

Final Frame Assembly



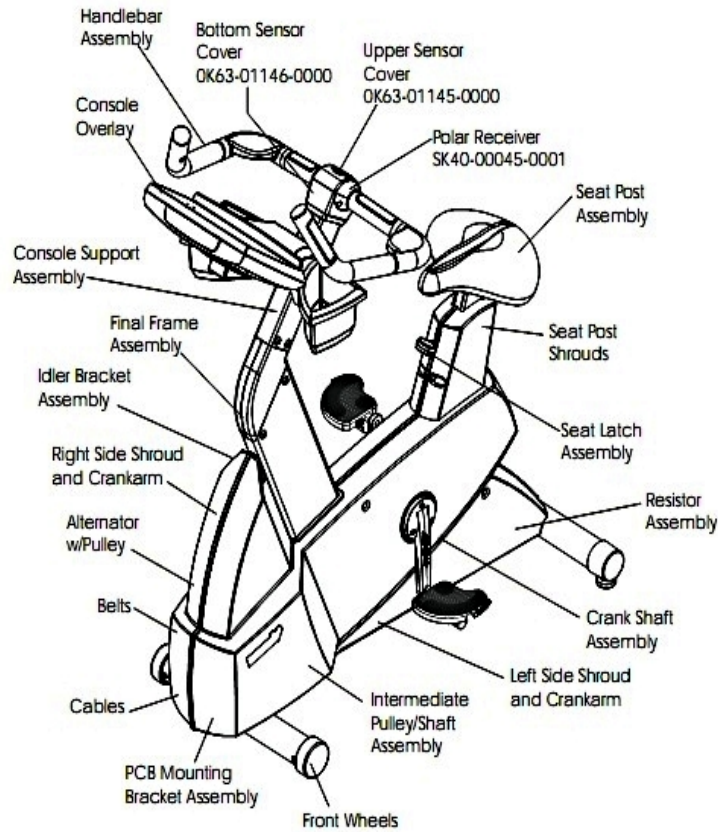
Ref #	Part Number	Qty	Description
-	GK63-00002-0079	1	Kit: Upright/Rec Belt And Pulley
-	0K63-01095-0001	1	Crank Arm Hub
-	0017-00042-1134	1	Grommet
-	AK63-00051-0000	1	Pulley Assembly
-	0K63-01007-0001	1	Frame Gasket

Front Wheel Assembly



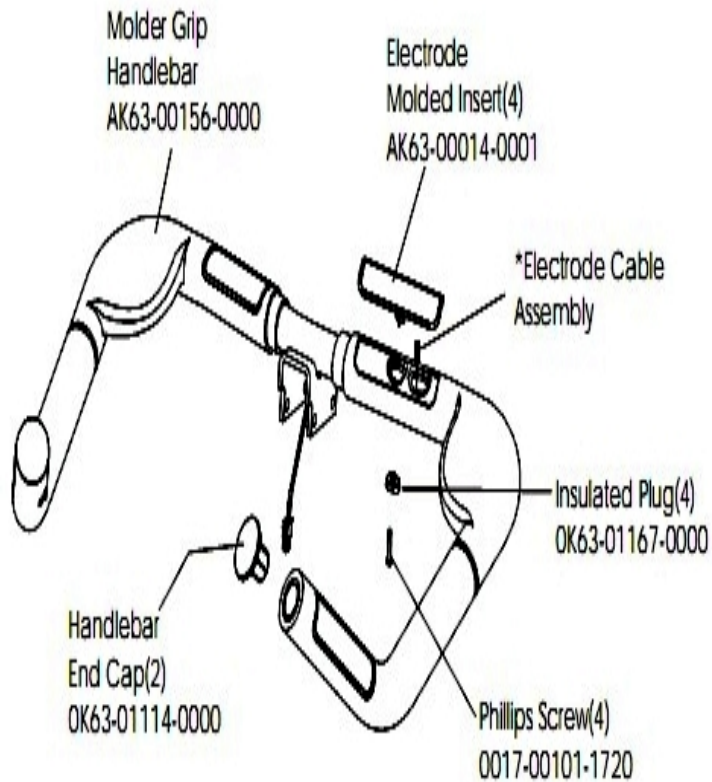
Ref #	Part Number	Qty	Description
-	0017-00101-1611	4	Hardware: Insert Screw
-	AK63-00017-0000	2	Wheel/Bearing Assembly

General Assembly



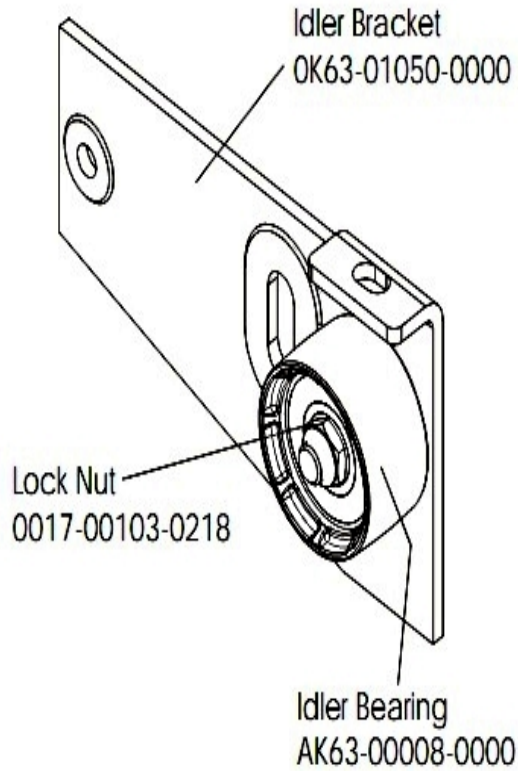
Ref #	Part Number	Qty	Description
-	OK63-01145-0000	1	Upper Sensor Cover
-	GK63-00002-0041	1	Power Option Kit: 220/50
-	SK40-00045-0001	1	Polar HR Kit
-	OK63-01146-0000	1	Bottom Sensor Cover

Handlebar Assembly



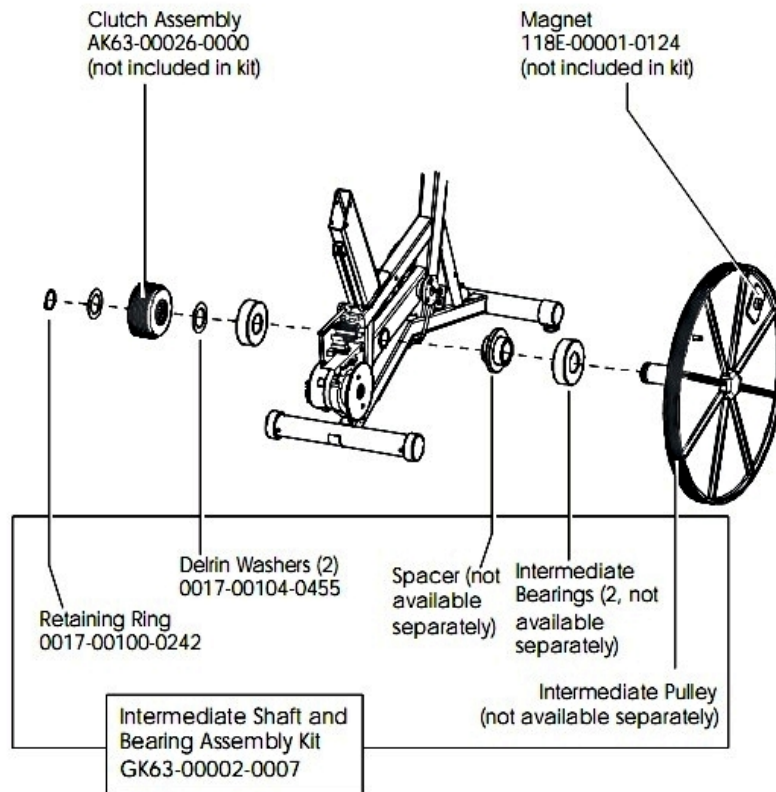
Ref #	Part Number	Qty	Description
-	0017-00101-1720	4	Hardware: Mounting Screw 1"
-	OK63-01167-0000	4	Insulated Plug
-	AK63-00156-0000	1	Molder Grip Handlebar
-	AK63-00091-0000	1	Handlebar Assembly
-	OK63-01114-0000	2	Cap
-	AK63-00014-0002	4	ELECTRODE-INSERT ASSY: RED; PURCH S/C-D

Idler Bracket Assembly



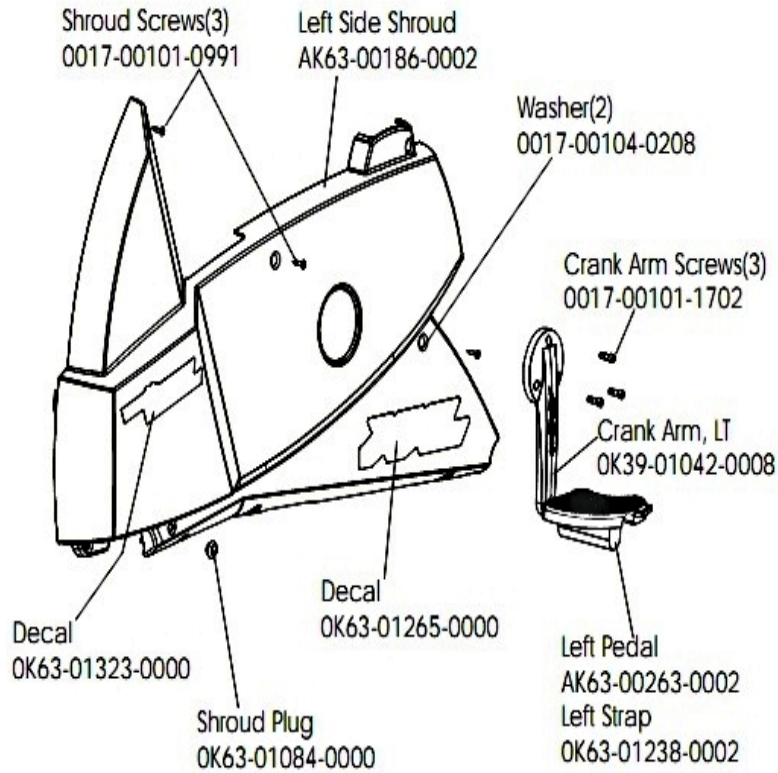
Ref #	Part Number	Qty	Description
-	AK63-00008-0000	1	Idler w/Bearing
-	OK63-01050-0000	1	Idler Bracket
-	AK63-00021-0000	1	Idler Bracket Assembly
-	0017-00103-0218	1	Hardware: Lock Nut 3/8" ID

Intermediate Shaft and Bearing Assembly



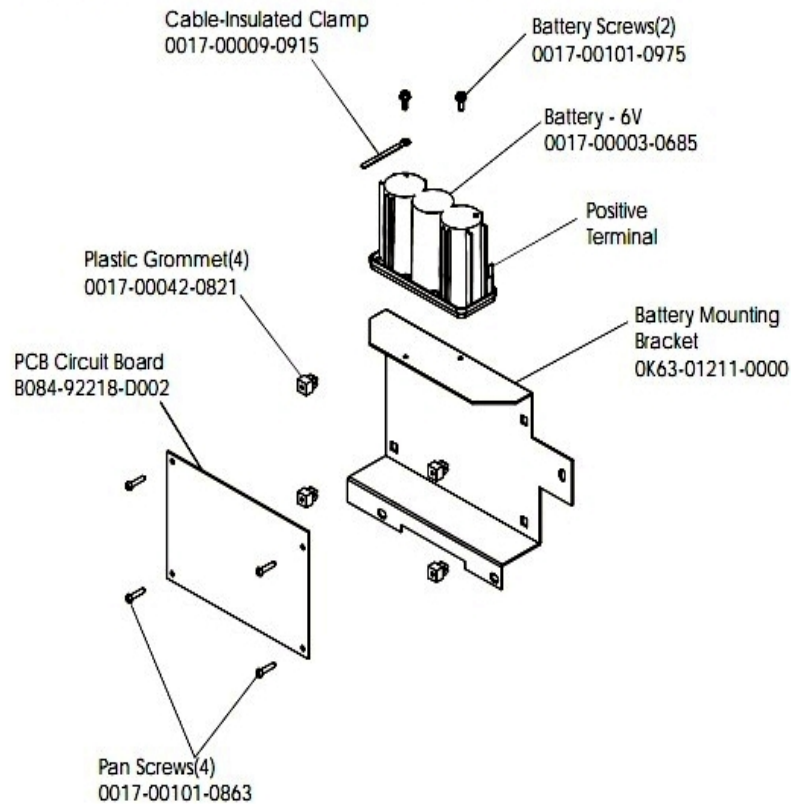
Ref #	Part Number	Qty	Description
-	GK63-00002-0007	1	Intermediate Shaft and Bearing Assembly
-	0017-00100-0242	1	Hardware: Retaining Ring .781"
-	118E-00001-0124	1	Auto-Start Magnet
-	0017-00104-0455	2	Hardware: Delrin Washer 1.250" OD
-	GK63-00002-0079	1	Kit: Upright/Rec Belt And Pulley

Left Side Shroud and Crank Arm



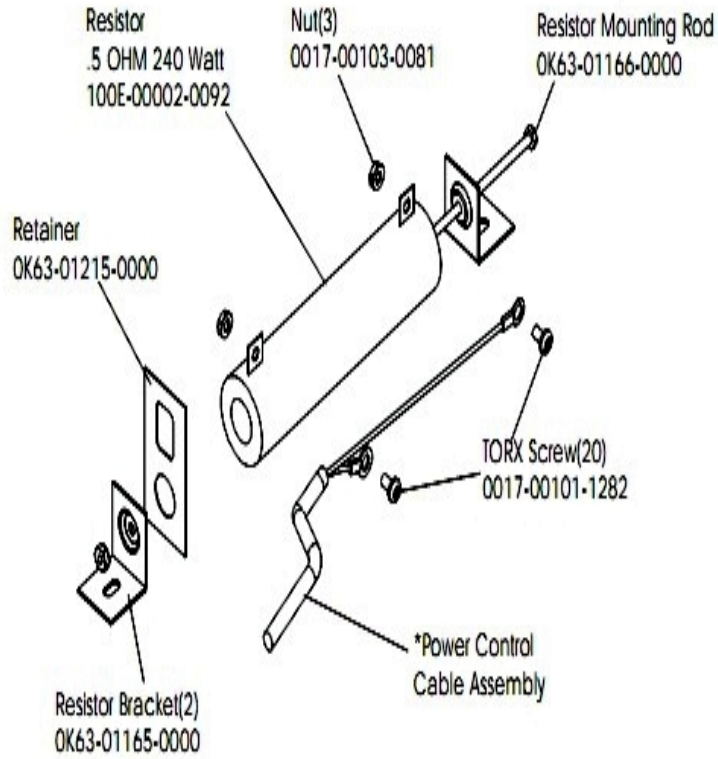
Ref #	Part Number	Qty	Description
-	OK63-01323-0000	1	Decal
-	OK39-01042-0008	1	Crank Arm: Left
-	OK63-01238-0002	1	Left Pedal Strap
-	AK63-00186-0002	1	Left Side Shroud
-	OK63-01084-0000	1	Shroud Plug
-	OK63-01265-0000	1	Decal
-	0017-00104-0208	2	Hardware: Washer
-	0017-00101-1702	3	Hardware: Screw
-	AK63-00263-0002	1	Left Pedal
-	0017-00101-0991	3	Hardware: Phillips Pan Screw 0.75"

PCB Mounting Bracket Assembly



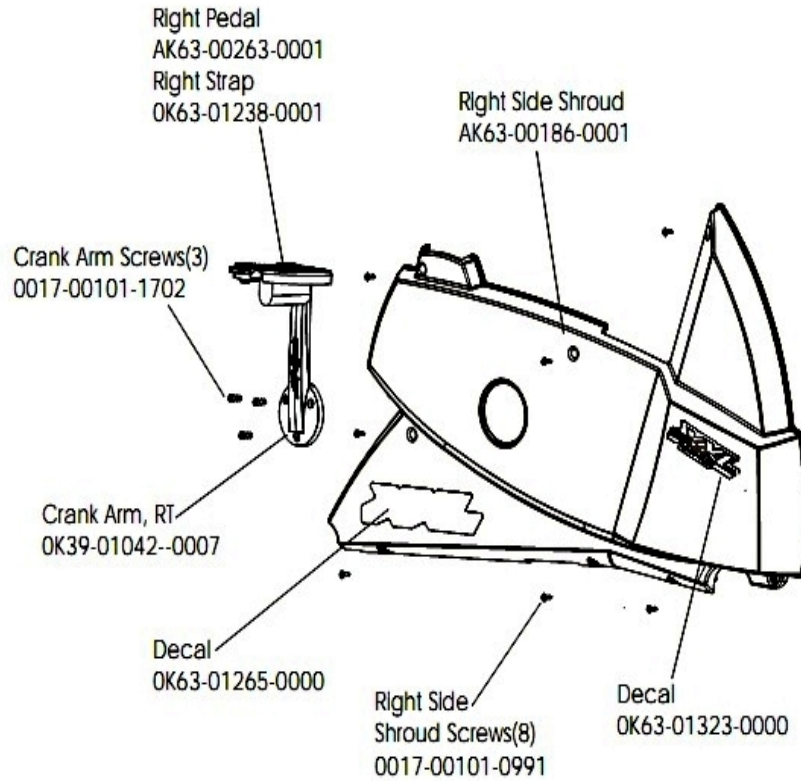
Ref #	Part Number	Qty	Description
-	0017-00101-0975	2	Hardware: Mounting Bolt 0.375"
-	AK63-00049-0000	1	PCB Mounting Bracket
-	0017-00009-0915	1	Cable-Insulated Clamp
-	0017-00101-0823	4	Hardware: Screw 0.75"
-	0K63-01211-0000	1	Battery Mounting Bracket
-	B084-92218-0000	1	PCB Circuit Board
-	0017-00042-0821	4	Hardware: Plastic Grommet
-	0017-00003-0685	1	6V Battery

Resistor Assembly



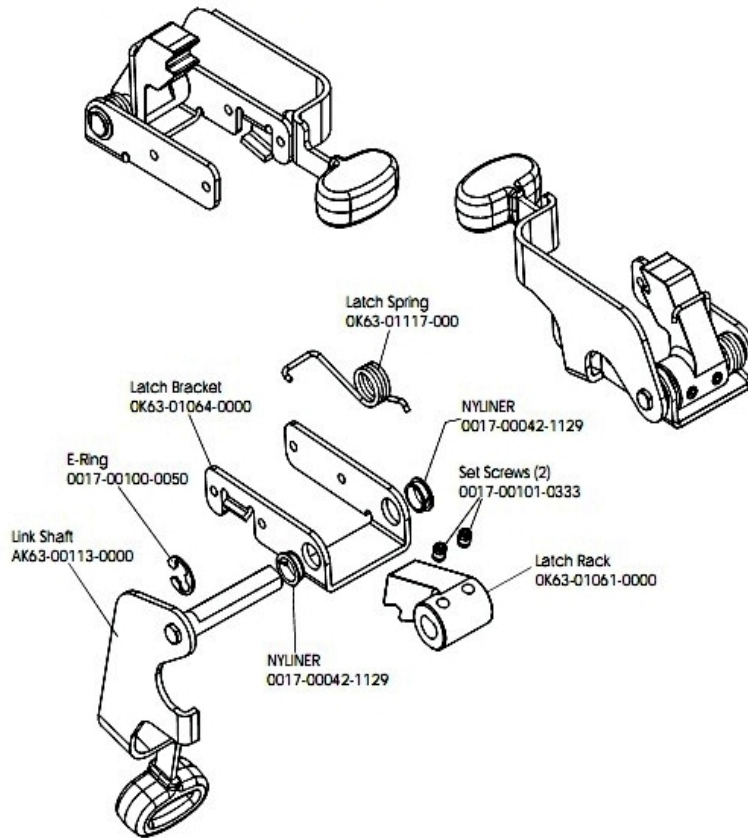
Ref #	Part Number	Qty	Description
-	OK63-01215-0000	1	Hardware: Resistor Retainer
-	0017-00103-0081	3	Hardware: Hex Nut ID
-	OK63-01165-0000	2	Resistor Bracket
-	OK63-01166-0000	1	Resistor Mounting Rod
-	0017-00101-1282	2	Hardware: TORX Screw 0.375"
-	100E-00002-0092	1	Resistor .5 OHM 240 Watt

Right Side Shroud and Crank Arm



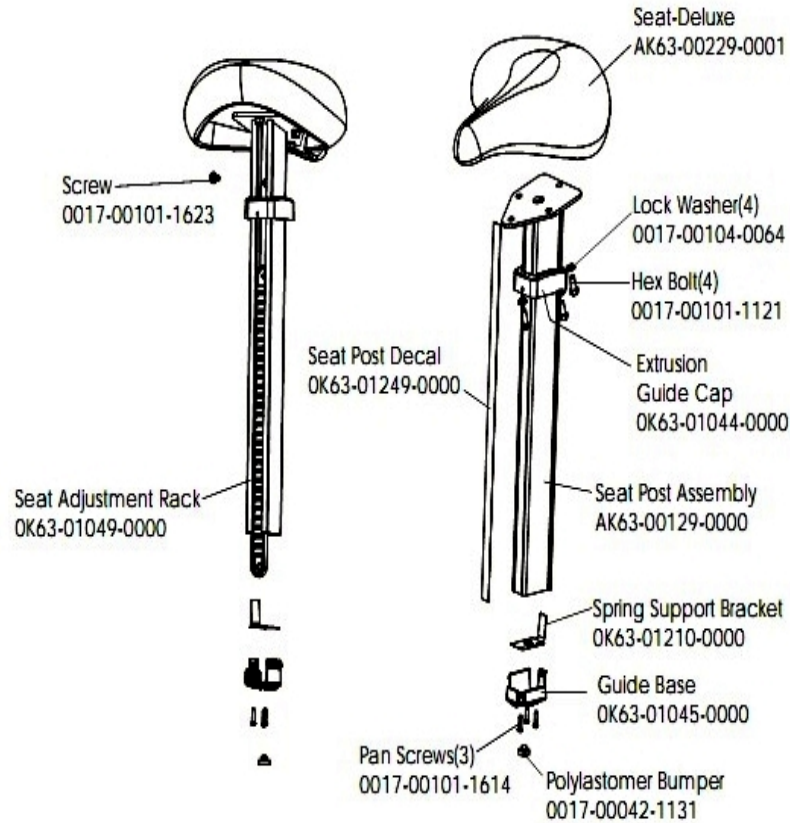
Ref #	Part Number	Qty	Description
-	OK63-01238-0001	1	Right Pedal Strap
-	AK63-00186-0001	1	Right Side Shroud
-	0017-00101-1702	3	Hardware: Screw
-	OK63-01323-0000	1	Decal
-	OK63-01265-0000	1	Decal
-	OK39-01042-0007	1	Crank Arm: Right
-	0017-00101-0991	8	Hardware: Phillips Pan Screw 0.75"
-	AK63-00263-0001	1	Right Pedal

Seat Latch Assembly



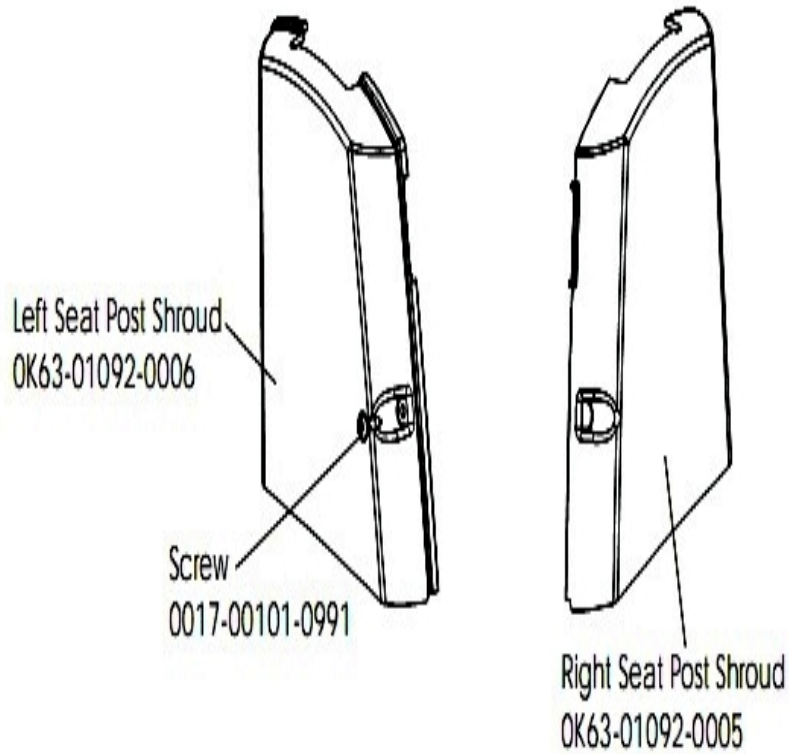
Ref #	Part Number	Qty	Description
-	OK63-01061-0000	1	Latch Rack
-	0017-00101-0333	2	Hardware: Screw 0.3125"
-	AK63-00043-0000	1	Seat Latch Assembly
-	0017-00100-0050	1	Hardware: E-Ring .5"
-	AK63-00113-0000	1	Link Shaft
-	0017-00042-1129	2	Hardware: Nyliner Ring - 1/2" Diameter
-	OK63-01064-0000	1	Latch Bracket
-	OK63-01117-0000	1	Latch Spring

Seat Post Assembly



Ref #	Part Number	Qty	Description
-	0017-00042-1131	1	Bumper
-	0017-00101-1121	4	Hardware: Bolt 4.6875"
-	0017-00104-0064	4	Hardware: Lock Washer 0.586" OD
-	AK63-00229-0001	1	Seat-Deluxe
-	AK63-00134-0000	1	Seat Post Assembly
-	AK63-00129-0000	1	Seat Post Assembly
-	OK63-01210-0000	1	Spring Support Bracket
-	0017-00101-1623	1	Hardware: Screw
-	OK63-01049-0000	1	Seat Adjustment Rack
-	OK63-01045-0000	1	Guide Base
-	0017-00101-1614	3	Hardware: Screw 0.625"
-	OK63-01249-0000	1	Seat Post Decal
-	OK63-01044-0000	1	Extrusion Guide Cap

Seat Post Shrouds



Ref #	Part Number	Qty	Description
-	OK63-01092-0006	1	Left Seat Post Shroud
-	OK63-01092-0005	1	Right Seat Post Shroud
-	0017-00101-0991	1	Hardware: Phillips Pan Screw 0.75"

