

95CXXL Lifecycle - Dutch/Metric

95CXXL-0601-04

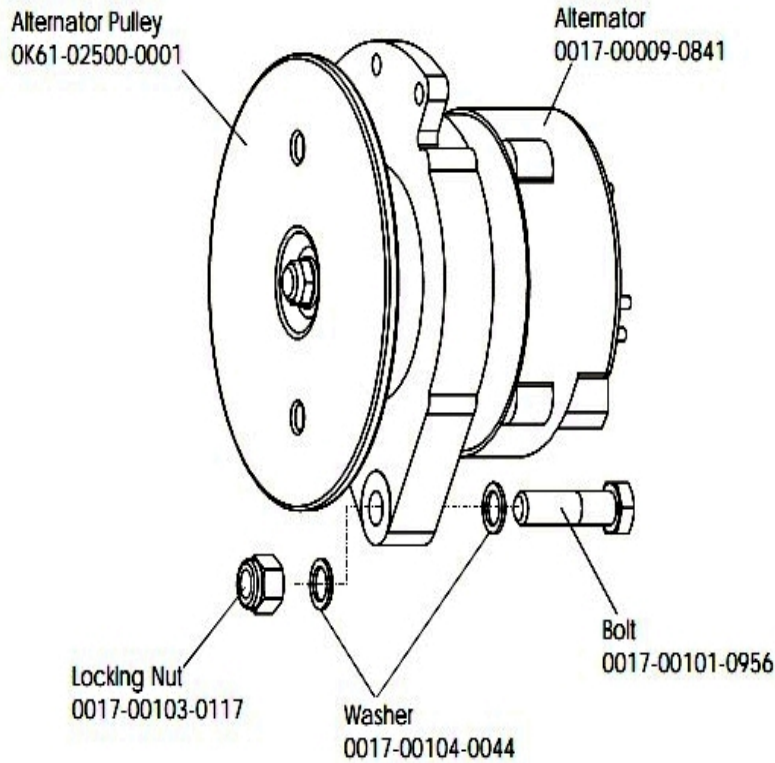
Parts Manual

1/5/2019 9:40:17 AM

Table of Contents

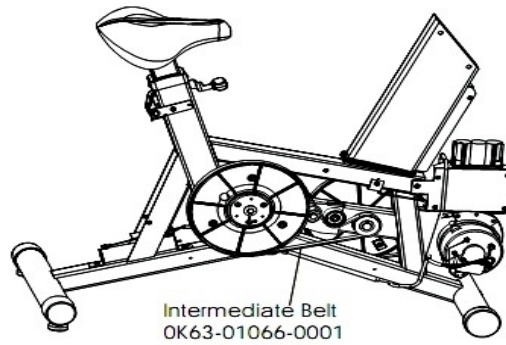
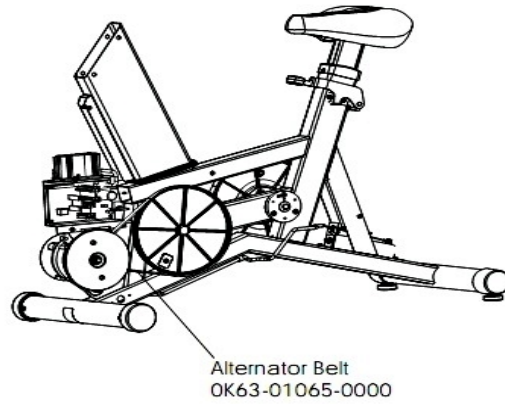
Alternator with Pulley	3
Belts	4
Cables	5
Console Overlay Bezel Assembly	6
Console Support Assembly	7
Crankshaft and Bearing Assembly	8
Final Frame Assembly	9
Front Wheel Assembly	10
General Assembly	11
Handlebar Assembly	12
Idler Bracket Assembly	13
Intermediate Shaft and Bearing Assembly	14
Left Side Shroud and Crank Arm	15
PCB Mounting Bracket Assembly	16
Resistor Assembly	17
Right Side Shroud and Crank Arm	18
Seat Latch Assembly	19
Seat Post Assembly	20
Seat Post Shrouds	21

Alternator with Pulley



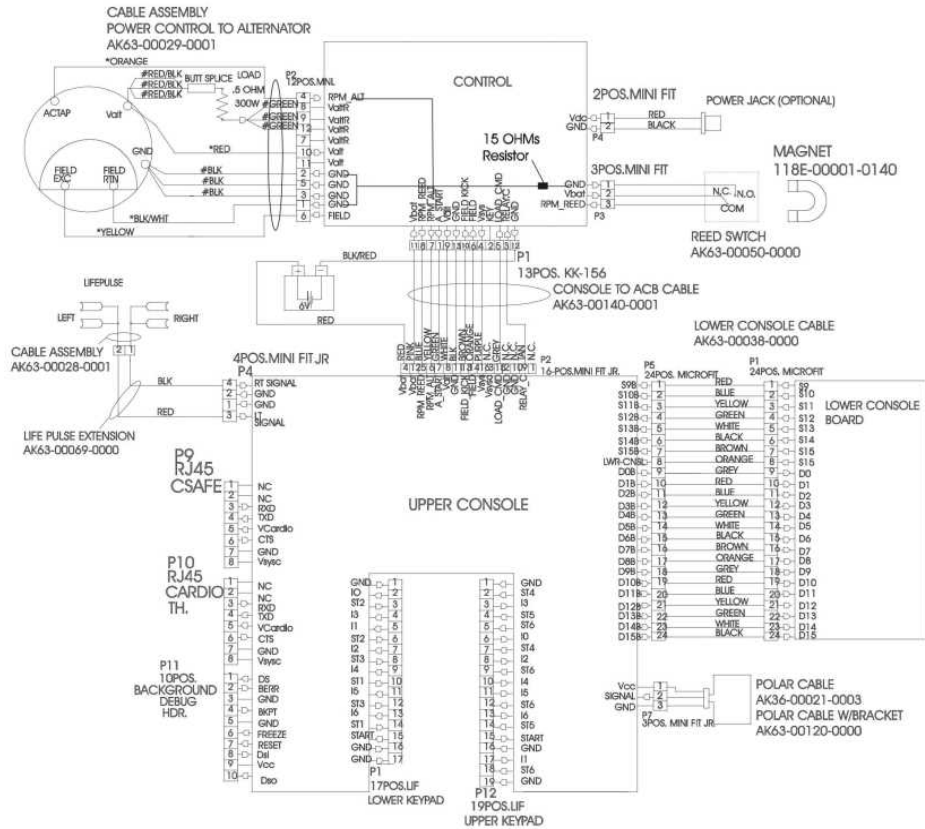
Ref #	Part Number	Qty	Description
-	OK61-01027-0000	1	Flywheel: 6.75" D
-	0017-00103-0117	1	Hardware: Locking Nut 1/2" ID
-	0017-00101-0956	1	Hardware: Bolt 2"
-	0017-00104-0044	2	Hardware: Washer 0.75" OD
-	0017-00009-0841	1	Alternator
-	AK63-00093-0000	1	Alternator w/Pulley

Belts



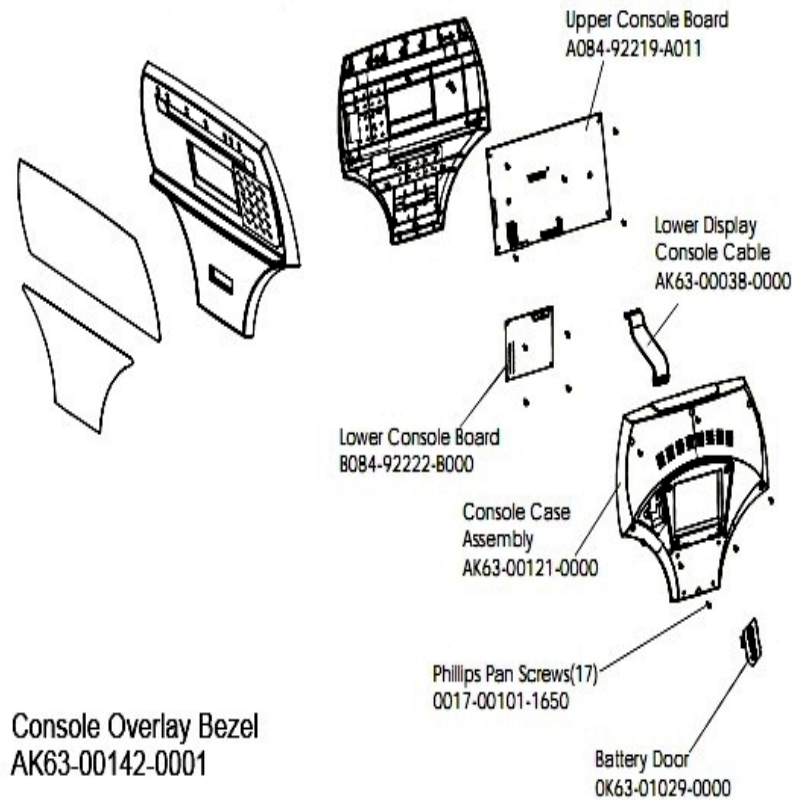
Ref #	Part Number	Qty	Description
-	OK63-01405-0000	1	BELT: POLY-V; 390J6; 39.00 IN
-	GK63-00002-0079	1	Kit: Upright/Rec Belt And Pulley

Cables



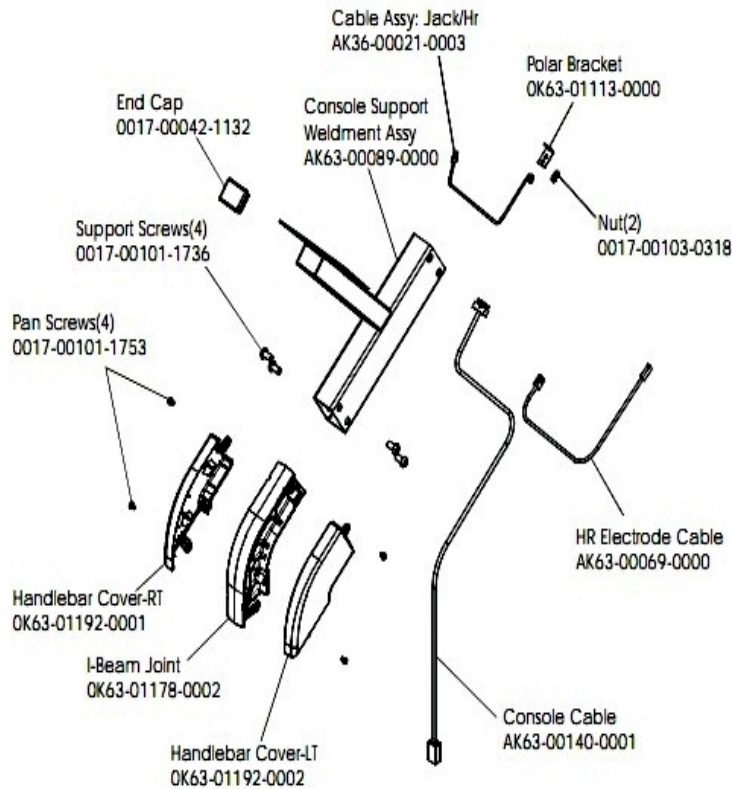
Ref #	Part Number	Qty	Description
-	AK63-00050-0000	1	Reed Switch Bracket Assembly
-	AK36-00021-0003	1	Cable Assembly
-	AK63-00140-0001	1	Console Cable
-	AK63-00029-0000	1	Power Control to Alternator
-	118E-00001-0140	1	Reed Switch SPDT
-	AK63-00069-0000	1	Heart Rate Cable
-	AK63-00038-0000	1	Lower Console Cable
-	AK63-00028-0001	1	LifePulse Cable
-	AK63-00120-0000	1	Polar Cable with Bracket

Console Overlay Bezel Assembly



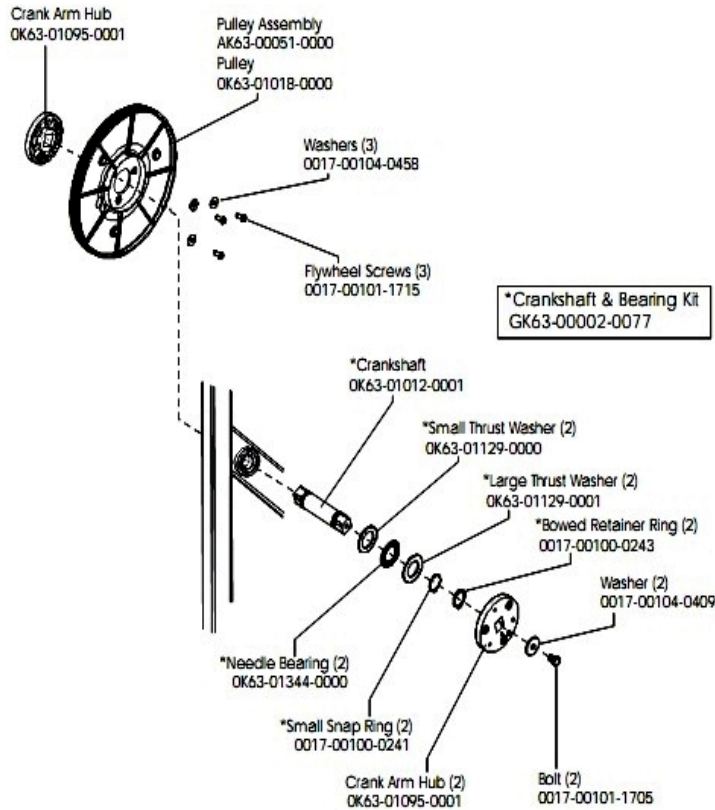
Ref #	Part Number	Qty	Description
-	AK63-00142-0001	1	Bezel/Switch with Overlay English Metric
-	AK63-00141-0001	1	Console Assembly English Metric
-	B084-92222-B000	11	Console Board - Lower
-	A084-92219-A011	1	Console Board - Upper
-	0017-00101-1650	17	Hardware: Phillips Pan Screw 0.375"
-	AK63-00038-0000	1	Lower Console Cable
-	OK63-01029-0000	1	Battery Door
-	AK63-00121-0000	1	Console Case Assembly

Console Support Assembly



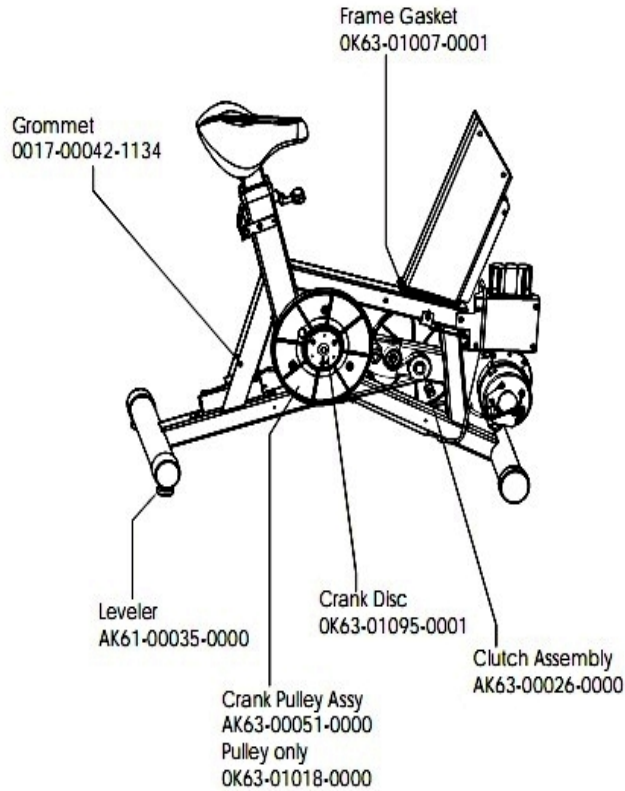
Ref #	Part Number	Qty	Description
-	AK36-00021-0003	1	Cable Assembly
-	OK63-01192-0001	1	Console Support Elbow Cover: Right 6"
-	OK63-01113-0000	1	Polar Bracket
-	OK63-01178-0002	1	Console Support Elbow 6"
-	0017-00101-1753	4	Hardware: Pan Screw 0.3125"
-	0017-00101-1736	4	Hardware: Support Screw
-	AK63-00140-0001	1	Console Cable
-	OK63-01192-0002	1	Console Support Elbow Cover: Left 6"
-	0017-00103-0318	2	Hardware: Nut
-	AK63-00233-0005	1	Console Support Assembly
-	AK63-00089-0000	1	Console Support Weldment Assembly
-	AK63-00069-0000	1	Heart Rate Cable
-	0017-00042-1132	1	End Cap

Crankshaft and Bearing Assembly



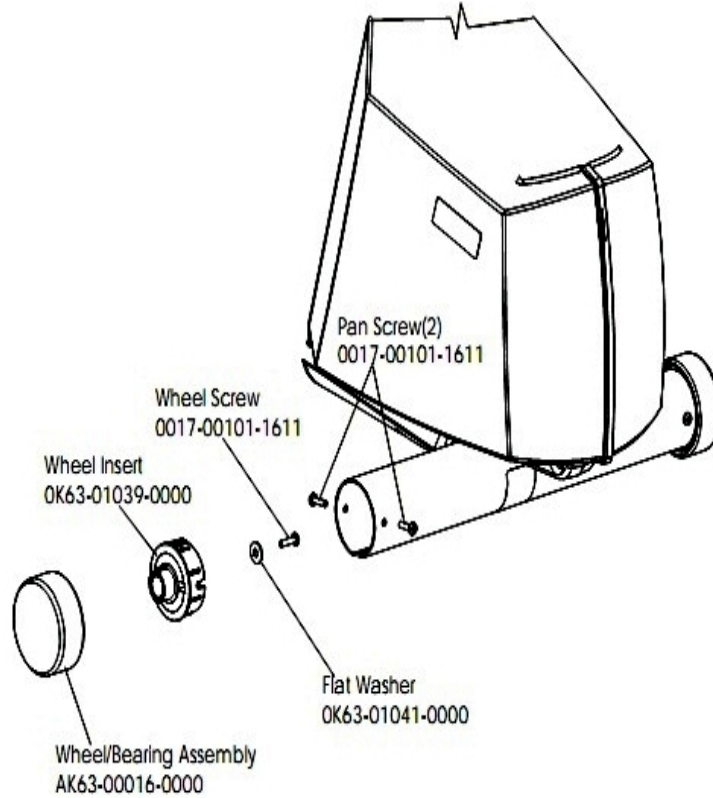
Ref #	Part Number	Qty	Description
-	0017-00100-0241	2	Hardware: Small Snap Ring .984"
-	OK63-01129-0000	2	Hardware: Small Thrust Washer
-	OK63-01095-0001	2	Crank Arm Hub
-	AK63-00051-0000	1	Pulley Assembly
-	OK63-01129-0001	2	Hardware: Large Thrust Washer
-	0017-00104-0409	2	Hardware: Washer 1.125" OD
-	0017-00104-0458	3	Hardware: Flat Washer 0.75" OD
-	0017-00100-0243	2	Hardware: Bowed Retaining Ring .984"
-	0017-00101-1855	1	Hardware: TORX Screw 0.875"
-	0017-00101-1705	2	Hardware: Bolt 0.5"
-	OK63-01344-0000	2	Hardware: Needle Bearing
-	OK63-01018-0000	1	Crank Pulley
-	OK63-01012-0001	1	Crankshaft
-	GK63-00002-0077	1	Crankshaft and Bearing Kit

Final Frame Assembly



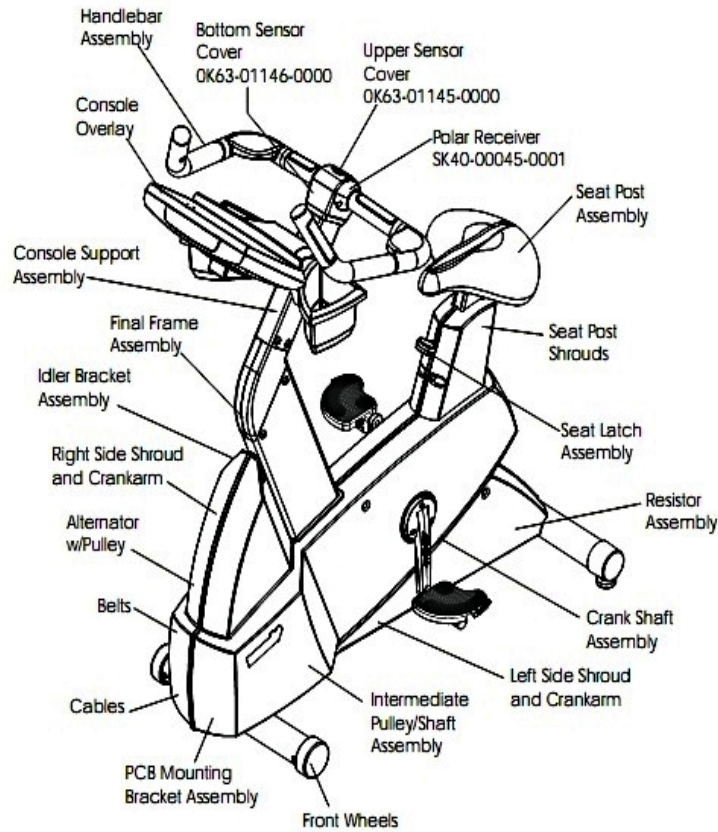
Ref #	Part Number	Qty	Description
-	GK63-00002-0079	1	Kit: Upright/Rec Belt And Pulley
-	AK61-00035-0000	2	Leg Leveler
-	OK63-01095-0001	1	Crank Arm Hub
-	OK63-01007-0001	1	Frame Gasket
-	0017-00042-1134	1	Grommet
-	OK63-01018-0000	1	Crank Pulley
-	AK63-00051-0000	1	Pulley Assembly

Front Wheel Assembly



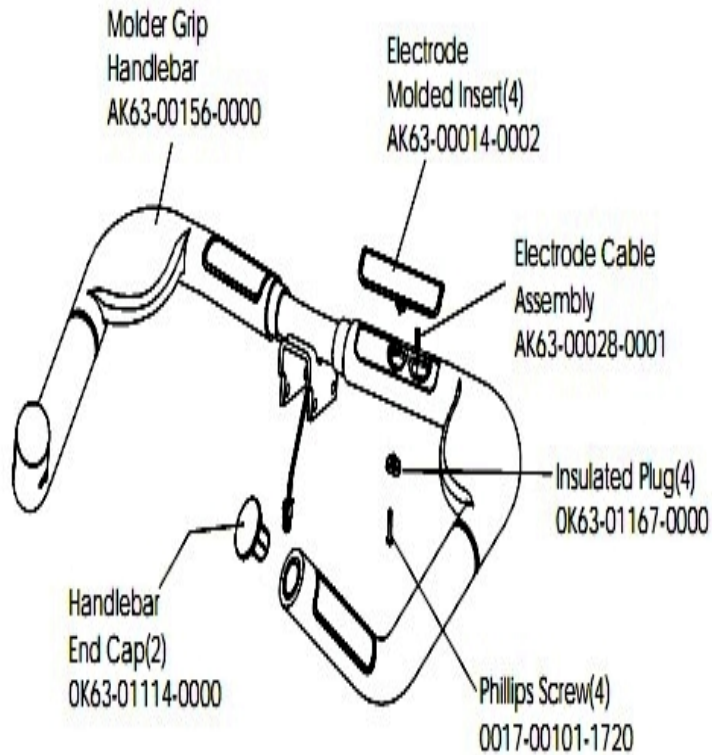
Ref #	Part Number	Qty	Description
-	AK63-00016-0000	2	Wheel/Bearing Assembly
-	OK63-01039-0000	2	Wheel Insert
-	0017-00101-1611	6	Hardware: Insert Screw
-	AK63-00017-0000	2	Wheel/Bearing Assembly
-	OK63-01041-0000	2	Hardware: Flat Washer

General Assembly



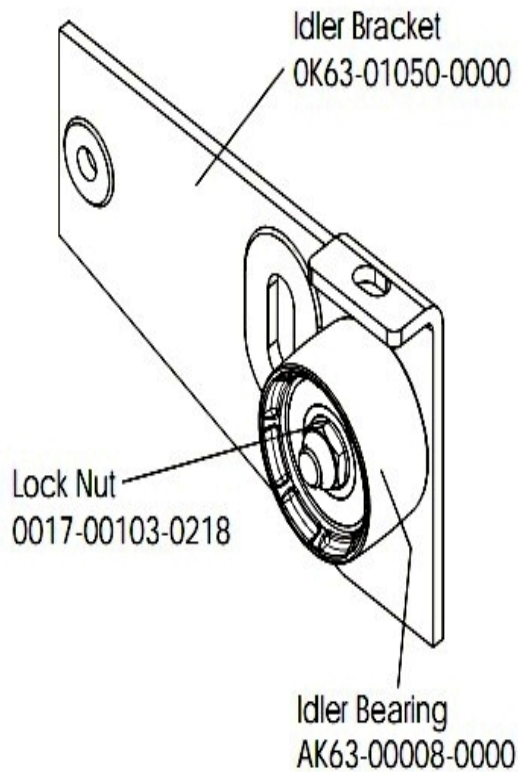
Ref #	Part Number	Qty	Description
-	OK63-01145-0000	1	Upper Sensor Cover
-	AK40-00045-0003	1	Chest Strap - Small
-	OK63-01146-0000	1	Bottom Sensor Cover
-	GK63-00002-0005	1	Power Option Kit: 120V
-	SK40-00045-0001	1	Polar HR Kit
-	SK40-00045-0002	1	Chest Strap - Small
-	AK40-00045-0004	1	Chest Strap - Large

Handlebar Assembly



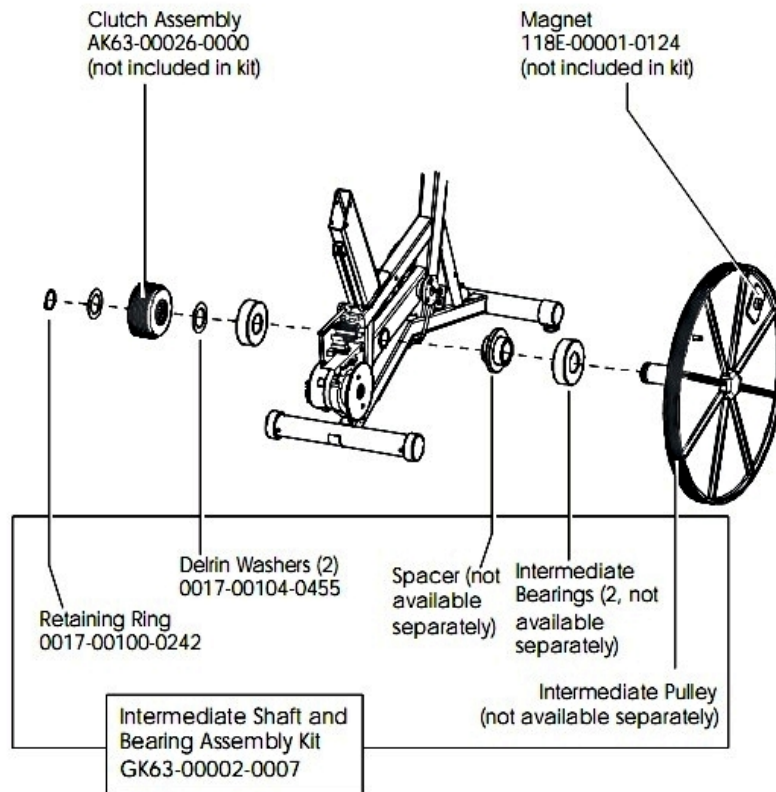
Ref #	Part Number	Qty	Description
-	0017-00101-1720	4	Hardware: Mounting Screw 1"
-	OK63-01167-0000	4	Insulated Plug
-	AK63-00014-0002	4	ELECTRODE-INSERT ASSY: RED; PURCH S/C-D
-	AK63-00091-0000	1	Handlebar Assembly
-	OK63-01114-0000	2	Cap
-	AK63-00156-0000	1	Molder Grip Handlebar
-	AK63-00028-0001	1	LifePulse Cable

Idler Bracket Assembly



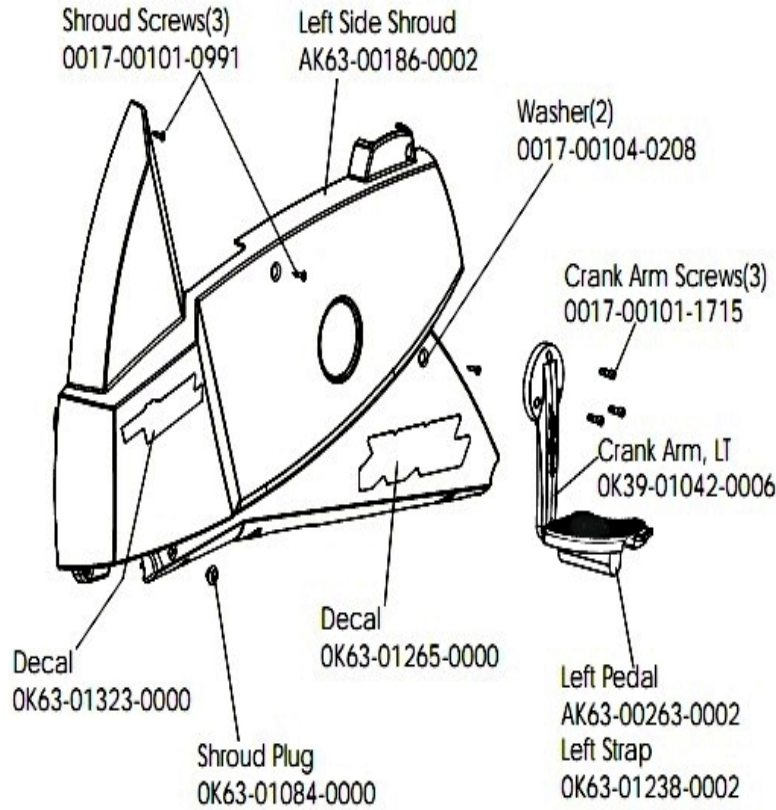
Ref #	Part Number	Qty	Description
-	AK63-00008-0000	1	Idler w/Bearing
-	OK63-01050-0000	1	Idler Bracket
-	AK63-00021-0000	1	Idler Bracket Assembly
-	0017-00103-0218	1	Hardware: Lock Nut 3/8" ID

Intermediate Shaft and Bearing Assembly



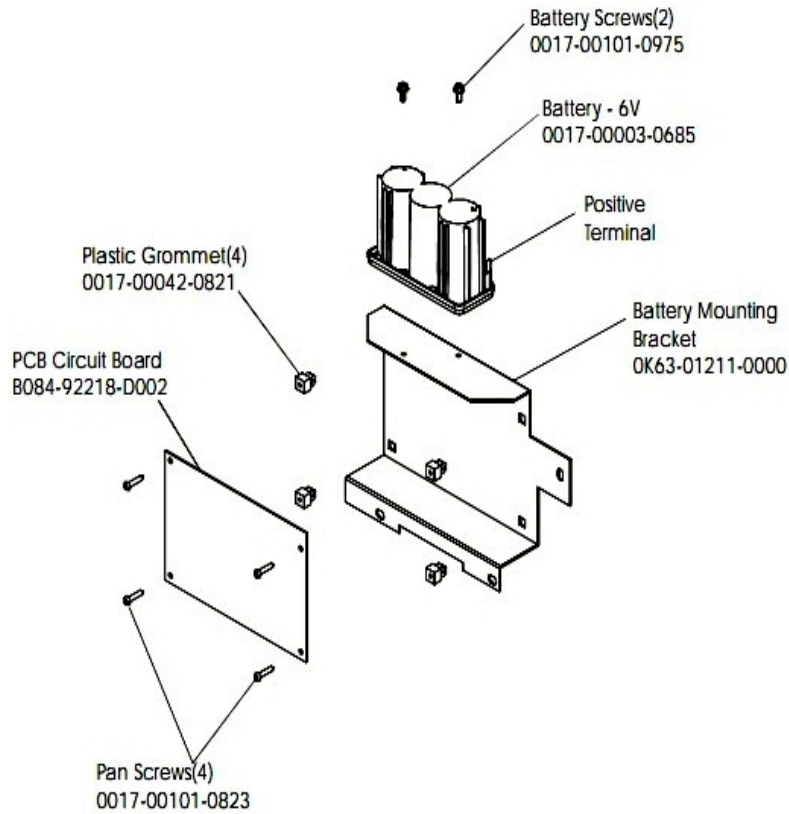
Ref #	Part Number	Qty	Description
-	GK63-00002-0007	2	Intermediate Shaft and Bearing Assembly
-	0017-00100-0242	1	Hardware: Retaining Ring .781"
-	118E-00001-0124	1	Auto-Start Magnet
-	0017-00104-0455	2	Hardware: Delrin Washer 1.250" OD
-	GK63-00002-0079	1	Kit: Upright/Rec Belt And Pulley

Left Side Shroud and Crank Arm



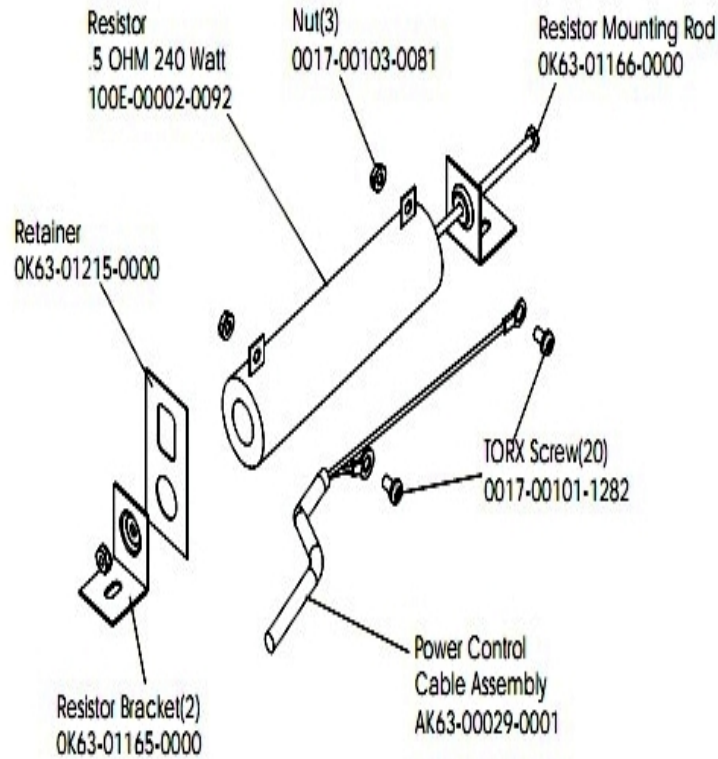
Ref #	Part Number	Qty	Description
-	OK39-01042-0006	1	Crank Arm Left
-	OK63-01323-0000	1	Decal
-	OK63-01238-0002	1	Left Pedal Strap
-	AK63-00186-0002	1	Left Side Shroud
-	0017-00101-1715	3	Hardware: TORX Cap Screw 0.625"
-	OK63-01265-0000	1	Decal
-	0017-00104-0208	2	Hardware: Washer
-	AK63-00263-0002	1	Left Pedal
-	0017-00101-0991	3	Hardware: Phillips Pan Screw 0.75"
-	OK63-01084-0000	1	Shroud Plug

PCB Mounting Bracket Assembly



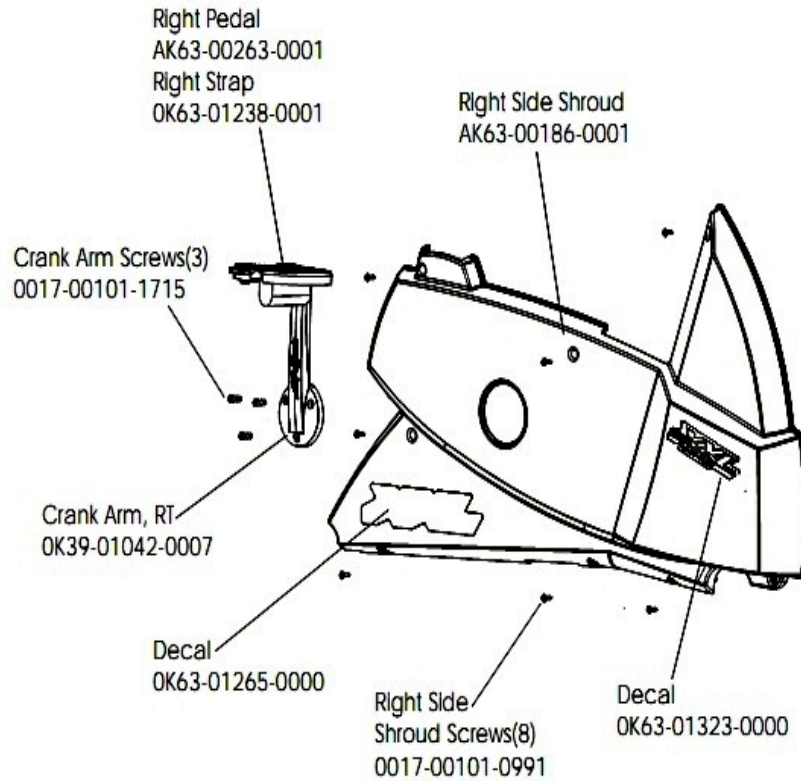
Ref #	Part Number	Qty	Description
-	0017-00101-0975	2	Hardware: Mounting Bolt 0.375"
-	AK63-00049-0000	1	PCB Mounting Bracket
-	0017-00003-0685	1	6V Battery
-	0017-00101-0823	4	Hardware: Screw 0.75"
-	B084-92218-0000	1	PCB Circuit Board
-	OK63-01211-0000	1	Battery Mounting Bracket
-	0017-00042-0821	4	Hardware: Plastic Grommet

Resistor Assembly



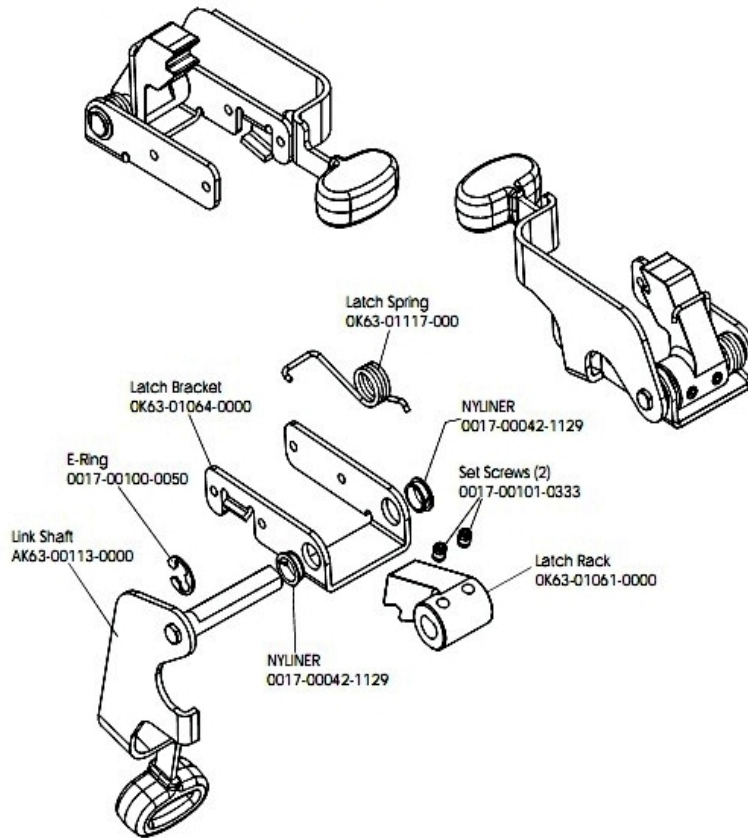
Ref #	Part Number	Qty	Description
-	OK63-01165-0000	2	Resistor Bracket
-	AK63-00047-0001	1	Resistor Assembly
-	OK63-01166-0000	1	Resistor Mounting Rod
-	0017-00101-1282	2	Hardware: TORX Screw 0.375"
-	100E-00002-0092	1	Resistor .5 OHM 240 Watt
-	OK63-01215-0000	1	Hardware: Resistor Retainer
-	0017-00103-0081	3	Hardware: Hex Nut ID
-	AK63-00029-0001	1	Power Control Cable Assembly

Right Side Shroud and Crank Arm



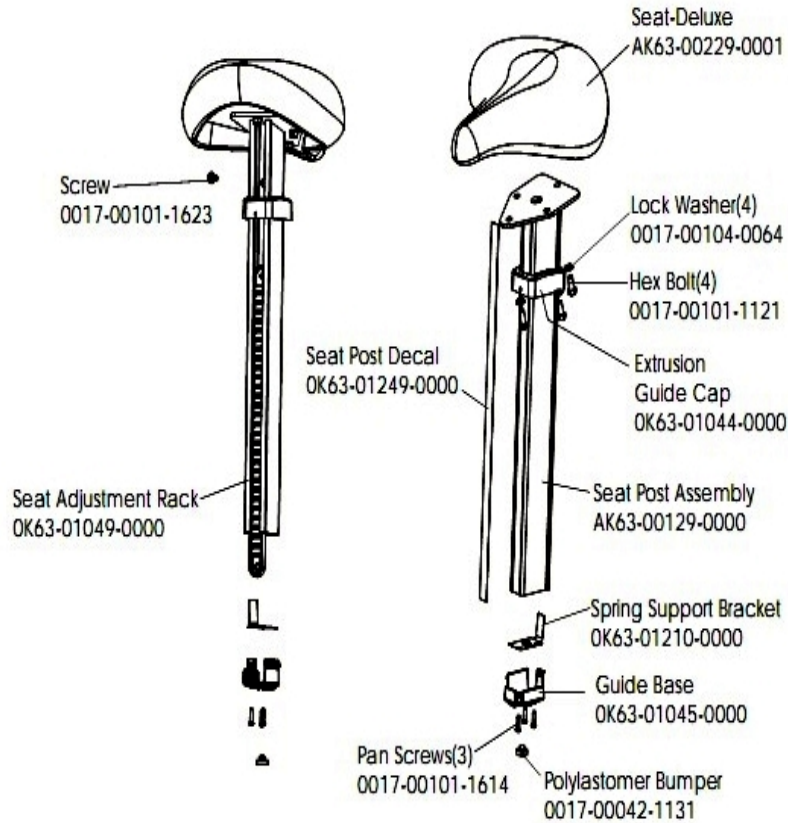
Ref #	Part Number	Qty	Description
-	0017-00101-1715	3	Hardware: TORX Cap Screw 0.625"
-	0017-00101-0991	8	Hardware: Phillips Pan Screw 0.75"
-	OK63-01238-0001	1	Right Pedal Strap
-	OK63-01265-0000	1	Decal
-	AK63-00186-0001	1	Right Side Shroud
-	OK63-01042-0007	1	Crank Arm: Right
-	OK63-01323-0000	1	Decal
-	AK63-00263-0001	1	Right Pedal

Seat Latch Assembly



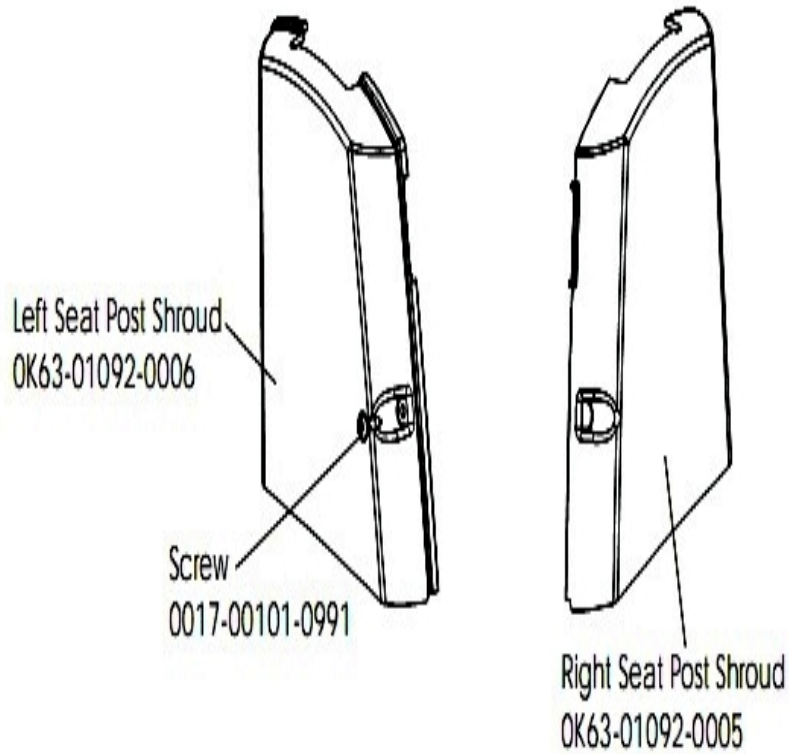
Ref #	Part Number	Qty	Description
-	0017-00042-1129	3	Hardware: Nyliner Ring - 1/2" Diameter
-	OK63-01117-0000	1	Latch Spring
-	AK63-00113-0000	1	Link Shaft
-	0017-00100-0050	1	Hardware: E-Ring .5"
-	AK63-00043-0000	1	Seat Latch Assembly
-	OK63-01061-0000	1	Latch Rack
-	OK63-01064-0000	1	Latch Bracket
-	0017-00101-0333	2	Hardware: Screw 0.3125"

Seat Post Assembly



Ref #	Part Number	Qty	Description
-	AK63-00134-0000	1	Seat Post Assembly
-	AK63-00229-0001	1	Seat-Deluxe
-	0017-00101-1121	4	Hardware: Bolt 4.6875"
-	AK63-00129-0000	1	Seat Post Assembly
-	OK63-01210-0000	1	Spring Support Bracket
-	0017-00101-1623	1	Hardware: Screw
-	OK63-01045-0000	1	Guide Base
-	OK63-01249-0000	1	Seat Post Decal
-	0017-00101-1614	3	Hardware: Screw 0.625"
-	0017-00042-1131	1	Bumper
-	OK63-01044-0000	1	Extrusion Guide Cap
-	OK63-01049-0000	1	Seat Adjustment Rack
-	0017-00104-0064	4	Hardware: Lock Washer 0.586" OD

Seat Post Shrouds



Ref #	Part Number	Qty	Description
-	OK63-01092-0005	1	Right Seat Post Shroud
-	0017-00101-0991	1	Hardware: Phillips Pan Screw 0.75"
-	OK63-01092-0006	1	Left Seat Post Shroud

