

Silver FlexStrider Exercise Equipment Base

95FXPS-ALLXX-0101

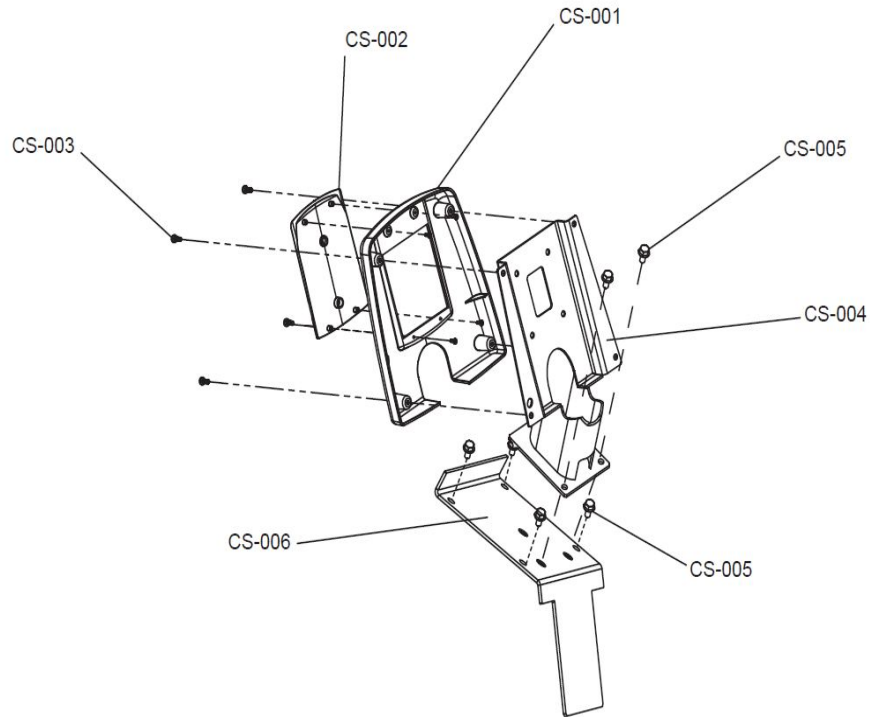
Parts Manual

1/5/2019 9:40:17 AM

Table of Contents

Console Support	3
Drive System	4
Electrical - Wiring Diagram	5
Frame System - Deadshaft and Rocker Arms	6
Frame System - Mono-column, Handrails, and PCB	8
Frame System - Shrouds	9
Frame System - Stabilizers	10
Handlebars and Cupholder	11
Linkage System - Pedal Levers	12
Miscellaneous	13
Timing System - Stride Assembly	15
Timing System - Timing Carriage	16
Timing System - Front Rocker Assemblies	18

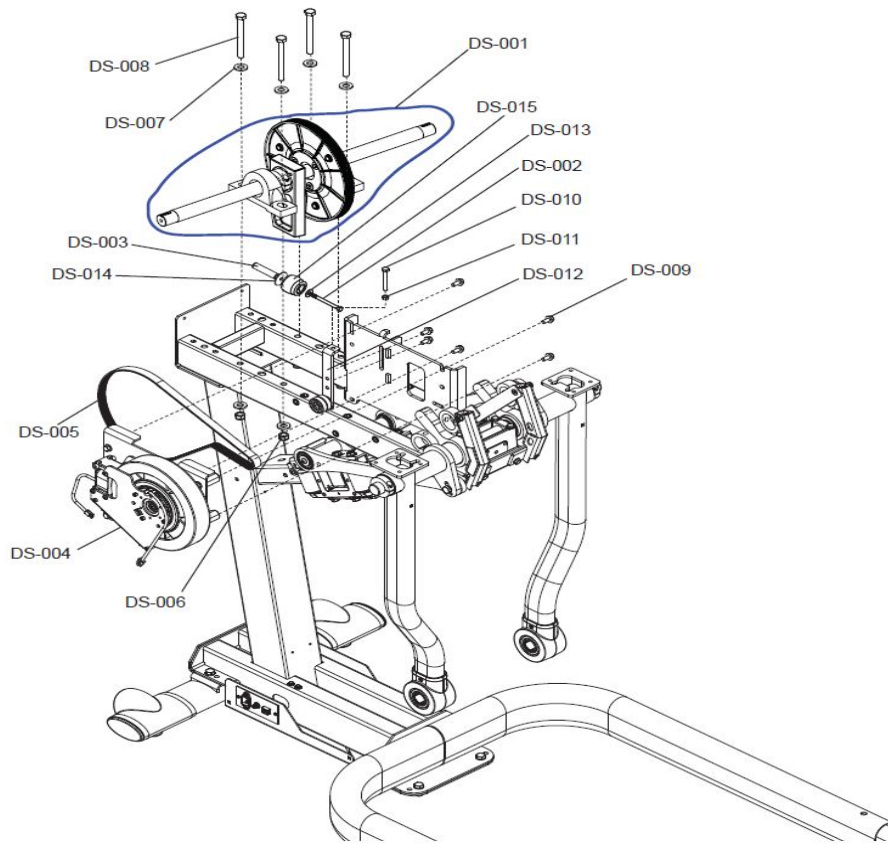
Console Support



Note 1: For Console Parts information refer to the Parts Manual of the installed console.

Ref #	Part Number	Qty	Description
CS-001	0K97-01167-2400	1	SHROUD: CONSOLE BACK; FLEXSTRIDER; CHGR
CS-002	AK92-00059-2400	1	ASSEMBLY: MIDDLE SHROUD; CONSOLE; CHGR
CS-003	0017-00101-1972	4	Hardware: Screw 14MM
CS-004	AK97-00032-0100	1	WELDMENT, CONSOLE MNT PAINTED
CS-005	0017-00101-2129	6	M8X1.25X16 6G6G DIN UNS HEX FLG ST ZB
CS-006	AK97-00038-0000	1	WELDMENT: CONSOLE MNT TO FRAME

Drive System

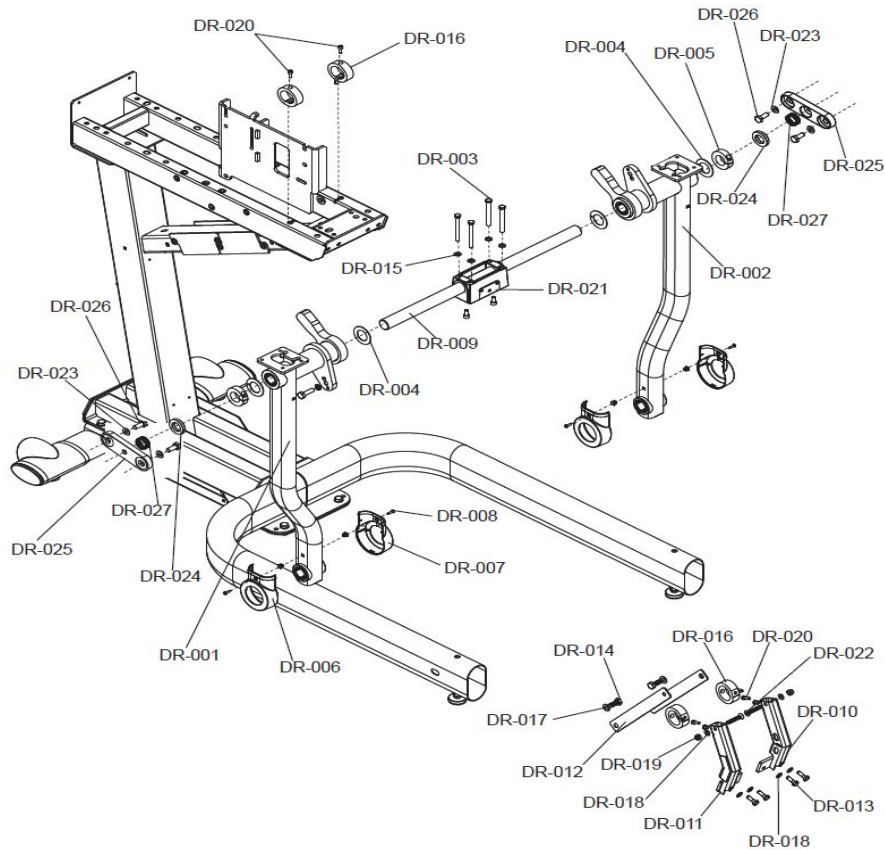


Ref #	Part Number	Qty	Description
DS-001	AK97-00050-0000	1	ASSEMBLY: MAIN PULLEY; 166T
DS-002	0017-00101-2145	1	SCREW: M6x1.0x75 DIN UNS HEX CS ST ZS
DS-003	0K97-01232-0000	1	STAND-OFF: STRIDE BOARD
DS-004	AK97-00040-0000	1	ASSEMBLY: GENERATOR MT; UNIARM
DS-005	0017-00009-1344	1	BELT: POLY-V; 440J8
DS-006	0017-00103-0332	4	Hardware: Mounting Nut
DS-007	0017-00104-0193	8	Hardware: Washer 1.06" OD
DS-008	0017-00101-2120	4	M12X 1.75 6G6G X120 DIN UNS HEX CS ST ZN
DS-009	0017-00101-2129	6	M8X1.25X16 6G6G DIN UNS HEX FLG ST ZB
DS-010	0017-00101-2002	1	Hardware: Tension Bolt 60MM
DS-011	0017-00103-0328	1	Hardware: Nut 8 MM ID
DS-012	AK97-00070-0000	1	ASSEMBLY: BELT TENSIONER; UNIARM
DS-013	0017-00104-0468	1	Hardware: Washer 18 MM OD
DS-014	0017-00104-0526	1	WASHER, M6X32X1.6 FLAT ST ZB
DS-015	0017-00009-1354	1	TECSPAK, GBA-5

Electrical - Wiring Diagram

Ref #	Part Number	Qty	Description
CBL-001	AK32-00020-0002	1	Coax Cable: 120"
CBL-002	AK70-00092-0000	1	CABLE ASSY: CAT5E, V2, 84 INCH
CBL-003	AK97-00063-0000	1	CBL ASSY: AC POWER, IEC C13 TO FASTONS
CBL-004	AK97-00081-0000	1	CBL ASSY: GROUND
CBL-005	AK97-00101-0000	1	CBL ASSY: SLD TO GBC
CBL-006	AK97-00064-0000	1	CBL ASSY: LTS TO SLD
CBL-007	AK97-00075-0000	1	CBL-ASSEMBLY: GENERATOR BRAKEBTO PCB
CBL-008	AK97-00074-0000	1	CBL-ASSEMBLY: EXTERNAL POWER; FLEXSTRIDER
CBL-009	0K99-01044-0003	1	CABLE: ELEVATION FLEXSTRIDER FITCORE - POWER HUB - GBC
CBL-010	AK69-00108-0000	1	Keypad Cable
CBL-011	AK65-00103-0002	1	CBL ASSY: GROUND, ESD
CBL-012	0K99-01018-0000	1	CABLE: LIFEPUULSE TO FITCORE - NONTREAD
CBL-013	AK92-00019-0000	1	CABLE ASSY, MIB POLAR TO POLAR RECEIVER
CBL-014	0K99-01024-0000	1	CABLE: CROSSTRAINER/FLEXSTRIDER TO LIFEPUULSE
CBL-015	AK61-00051-0002	2	Cable Assembly: User Arm
CBL-016	AK61-00051-0000	2	Bullhorn HR cables
CBL-017	AK97-00066-0000	1	CBL ASSEMBLY: LIFEPUULSE FLEX, STRIDE
CBL-018	AK69-00109-0000	1	LifePulse Y Cable

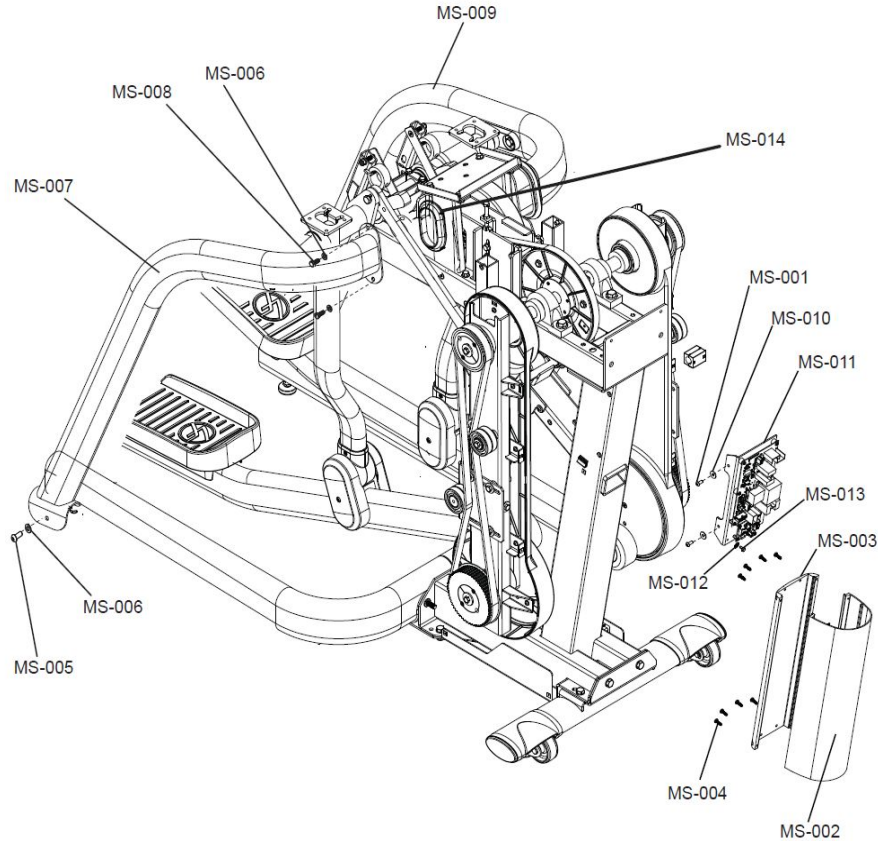
Frame System - Deadshaft and Rocker Arms



Ref #	Part Number	Qty	Description
DR-001	AK97-00013-2600	1	ASSEMBLY: ROCKER ARM W BEARING; SM CHGR
DR-002	AK97-00015-2600	1	ASSEMBLY: ROCKER ARM W BEARING; SM CHGR
DR-003	0017-00101-1944	4	M8.0X1.25- 6G6GX80MM DIN UNS HEX CS G5 CD
DR-004	0K97-01187-0000	4	ADHESIVE BRG: THR; 54mm OD X 32mm ID X 1.5mm
DR-005	0K69-01018-0000	2	Shaft Collar
DR-006	0K97-01138-2400	2	COVER: INNER CLEVIS A; CHGR
DR-007	0K97-01151-2400	2	COVER: INNER CLEVIS B; CHGR
DR-008	0017-00101-1796	4	Hardware: Mounting Screw 19 MM
DR-009	0K97-01033-0000	1	SHAFT: DEAD; 30MM
DR-010	1003519-0001	1	ASSEMBLY: TECSPACK UPRIGHT W/INSERT; RH
DR-011	1003518-0001	1	ASSEMBLY: TECSPACK UPRIGHT W/INSERT; LH
DR-012	0K97-01244-0000	2	PLATE: TENSION STRAP
DR-013	0017-00101-1931	4	Hardware: Front Stabilizer Mtg Bolts 25MM
DR-014	0017-00101-1965	2	M10 X1.5-6G6GX 25 DIN UNC HEX CAP ST ZN
DR-015,DR-018	0017-00104-0469	10	Hardware: Flat Washer 16MM OD
DR-016	0K97-01246-0000	4	SPRING: TECSPAK; 0.83 WIDE X 40D
DR-017,DR-023	0017-00104-0470	6	Hardware: Washer 20 MM OD
DR-019	0017-00103-0333	2	Hardware: Hex Nut
DR-020	0017-00101-1891	4	Hardware: Mounting Screw 16MM

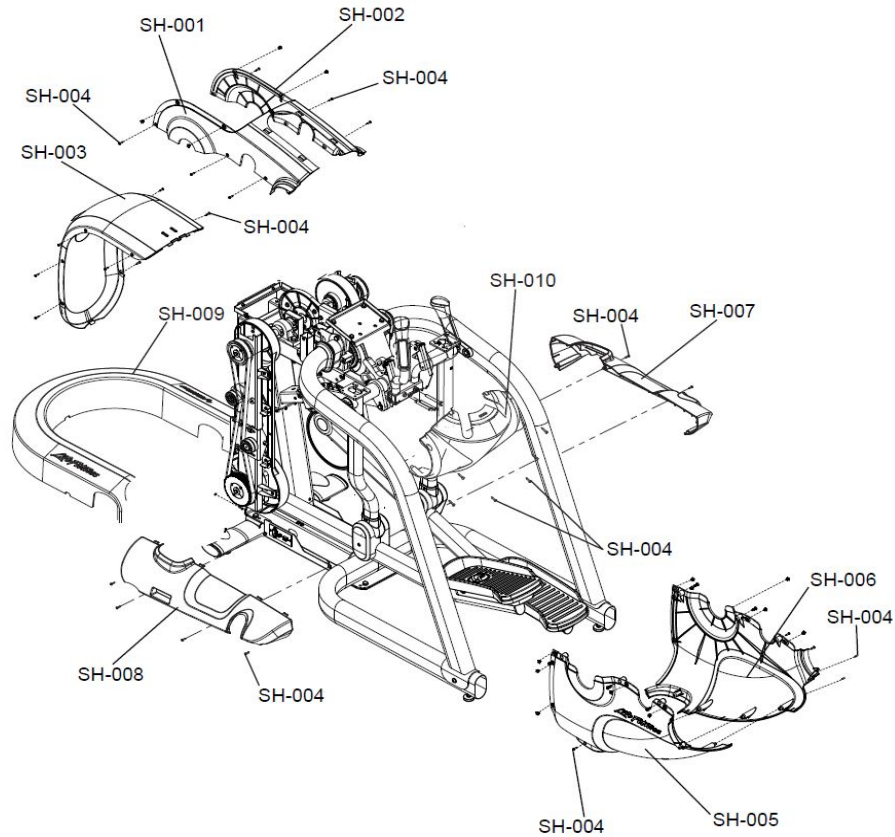
Ref #	Part Number	Qty	Description
DR-021	0K97-01009-0000	1	MOUNT: DEADSHAFT SUPPORT
DR-022	0017-00101-2144	2	SCREW: M8x1.0x40 DIN HXS FLT CS ST ZS
DR-024	0K97-01225-0000	2	RING: POLYURETHANE; 1" ID x 2" OD x .4"
DR-025	0K97-01209-2400	2	MOUNT; DEADSHAFT
DR-026	0017-00101-2128	4	M10X1.5X25 6G6G DIN UNS HXS CS ST ZB
DR-027	0017-00009-1338	2	TOLERANCE RING: 30mm SHAFT OD

Frame System - Mono-column, Handrails, and PCB



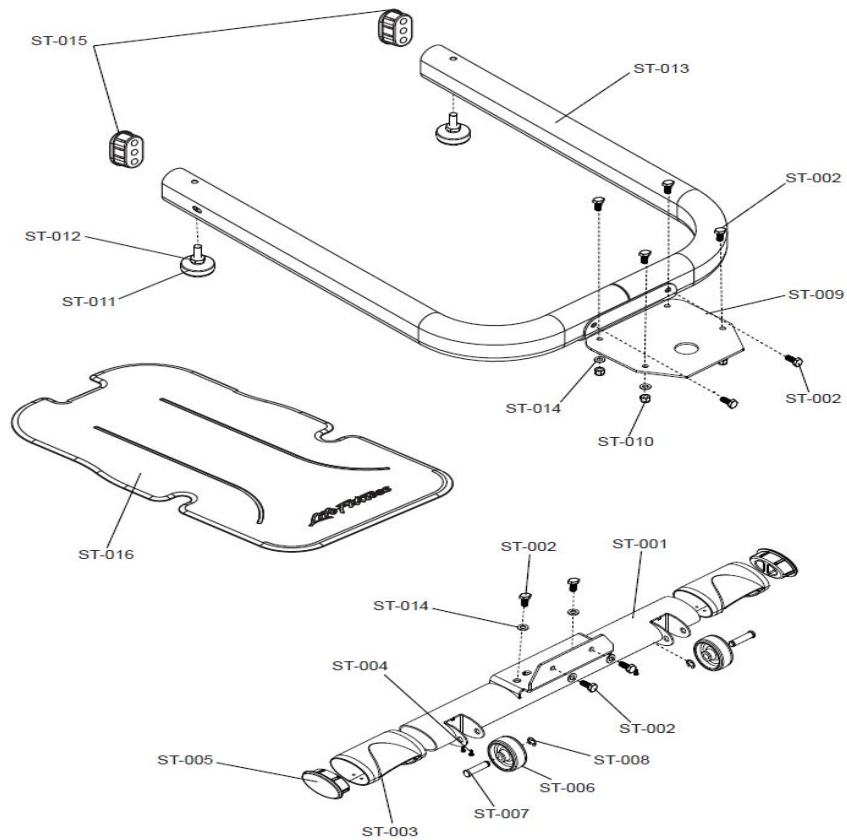
Ref #	Part Number	Qty	Description
MS-001	0017-00101-1953	2	Hardware: Mounting Screw 14MM
MS-002	0K97-01145-0100	1	EXTRUSION: MONOCOLUMN; FRONT; ARC
MS-003	0K97-01146-0100	1	EXTRUSION: MONOCOLUMN; REAR; ARC
MS-004	0017-00101-2132	8	SCREW: M5 X 0.8 X 16, DIN, TRX, PAN, TT, ST, ZS
MS-005	0017-00101-2122	2	M10X1.5-6G6GX25 DIN BUT HEX CS ST ZS
MS-006	0017-00104-0470	6	Hardware: Washer 20 MM OD
MS-007	AK97-00059-0100	1	WELDMENT, HANDRAIL RH
MS-008	0017-00101-1965	4	M10 X1.5-6G6GX 25 DIN UNC HEX CAP ST ZN
MS-009	AK97-00058-0100	1	WELDMENT, HANDRAIL LH
MS-010	0017-00104-0468	2	Hardware: Washer 18 MM OD
MS-011	AK97-00036-0000	1	ASSEMBLY: PWR PCB BRKT
MS-012	0017-00104-0460	1	Hardware: Lockwasher 0.562" OD
MS-013	0017-00101-0883	1	Hardware: Screw 0.375"
MS-014	0K97-01085-0700	2	GASKET: SIDERAIL; BLK

Frame System - Shrouds



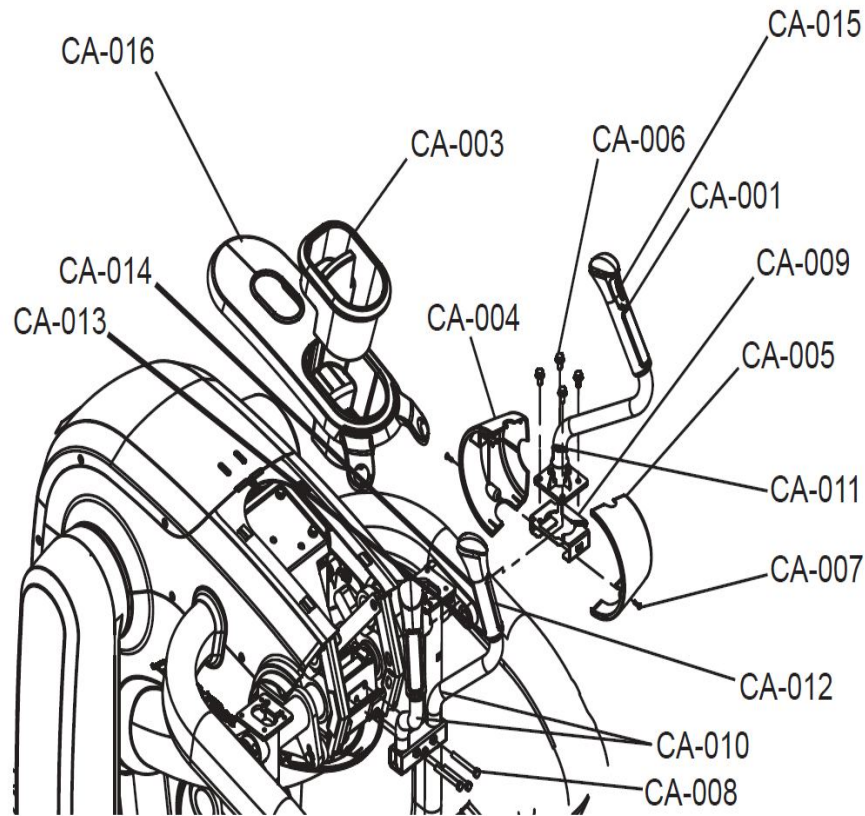
Ref #	Part Number	Qty	Description
SH-001	0K97-01079-2400	1	COVER: SIDE; UPPER LEFT; CHGR
SH-002	0K97-01081-2400	1	COVER: SIDE; UPPER RIGHT; CHGR
SH-003	AK97-00094-2400	1	ASS'Y: COVER; FRONT; CHGR
SH-004	0017-00101-1796	15	Hardware: Mounting Screw 19 MM
SH-005	AK97-00092-2400	2	ASS'Y: COVER; SIDE; LOWER LEFT; CHGR
SH-006	AK97-00093-2400	2	ASS'Y: COVER; SIDE; LOWER RIGHT; CHGR
SH-007	0K97-01088-2400	1	COVER: BASE; RIGHT; CHGR
SH-008	0K97-01087-2400	1	COVER: BASE; LEFT; CHGR
SH-009	0K97-01204-2400	1	COVER: FRONT; TIC TOC ZONE; CHGR
SH-010	0K97-01082-2400	1	COVER: REAR; CHGR

Frame System - Stabilizers



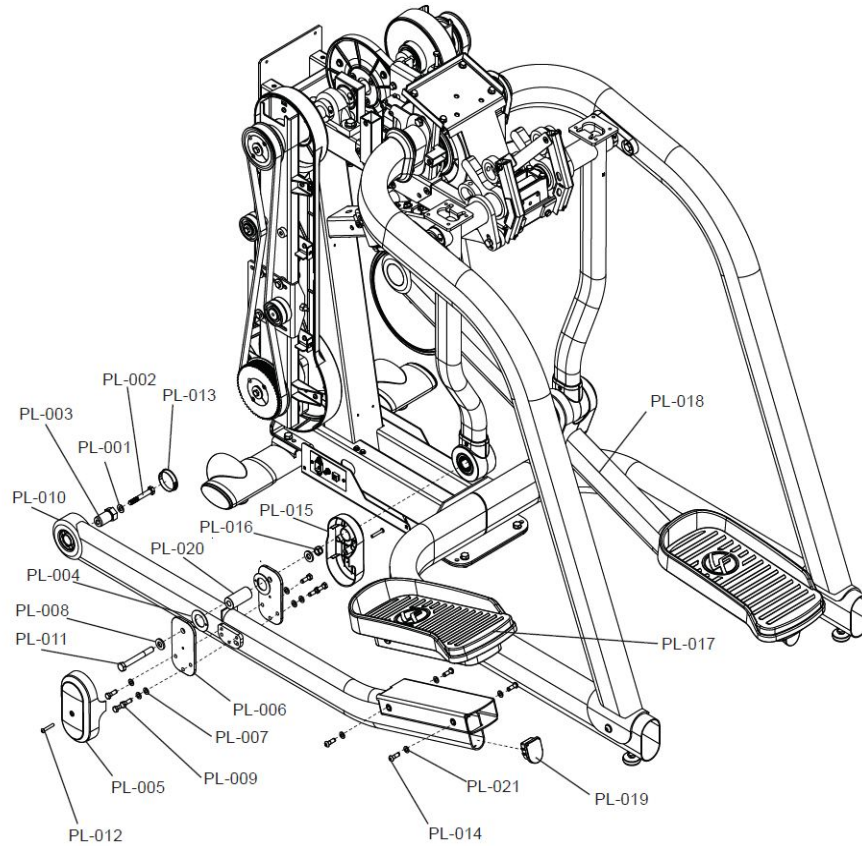
Ref #	Part Number	Qty	Description
ST-001	AK97-00004-2400	1	WELDMENT, STABILIZER
ST-002	0017-00101-1965	10	M10 X1.5-6G6GX 25 DIN UNC HEX CAP ST ZN
ST-003	0K97-01122-0700	2	SHROUD: STABILIZER COVER; BLK
ST-004	0017-00101-1968	4	Hardware: Ground Screws 10MM
ST-005	0K66-01042-0700	2	END CAP: FRONT STABILIZER; BLK
ST-006	0K60-01020-0000	2	Wheel
ST-007	0017-00009-1339	2	PIN: 0.5" CLEVIS
ST-008	0017-00100-0050	2	Hardware: E-Ring .5"
ST-009	0K97-01001-0000	1	PLATE: BASE FRAME
ST-010	0017-00103-0334	4	Hardware: Nut 10 MM
ST-011	0K62-01178-0000	4	Leg Leveler
ST-012	0017-00103-0330	4	Hardware: Nut 10 MM ID
ST-013	AK97-00005-0100	1	WELDMENT, U-BEND FRAME
ST-014	0017-00104-0470	8	Hardware: Washer 20 MM OD
ST-015	7800402	2	CAP, LRG FLOV END
ST-016	0K97-01069-0700	1	FLOOR MAT: FLEXSTRIDER; BLK

Handlebars and Cupholder



Ref #	Part Number	Qty	Description
CA-001	AK97-00011-2400	1	ASSEMBLY: HANDLEBAR; RH; CHGR
CA-002	AK97-00009-2400	1	ASSEMBLY: HANDLEBAR; LH
CA-003	0K97-01132-2400	1	CUPHOLDER; CHGR
CA-004	0K97-01084-2400	2	
CA-005	0K97-01083-2400	2	
CA-006	0017-00101-2129	8	M8X1.25X16 6G6G DIN UNS HEX FLG ST ZB
CA-007	0017-00101-1796	4	Hardware: Mounting Screw 19 MM
CA-008	0017-00101-1905	3	Hardware: Bolt 70 MM
CA-009	0K97-01205-0000	2	BRACKET: DEADSHAFT COVER CLIP
CA-010	AK97-00026-2400	1	ASSEMBLY: BULLHORNS; CHGR
CA-011	0K62-01199-0703	2	GASKET: BULLHORN, BLACK
CA-012	AK69-00139-2404	4	ELECTRODE: INSERT-MOLDED ASSY, 4 INCH, TOP, CHARCOAL GARY
CA-013	AK69-00140-2404	4	ELECTRODE: INSERT-MOLDED ASSY, 4 INCH, BOTTOM, CHARCOAL GRAY
CA-014	0017-00101-2054	8	Hardware: Screw 1"
CA-015	AK97-00062-2400	1	ASSEMBLY: BUTTON; CHGR
CA-016	0K97-01086-0700	1	GASKET: TOP CUPHOLDER; BLK

Linkage System - Pedal Levers



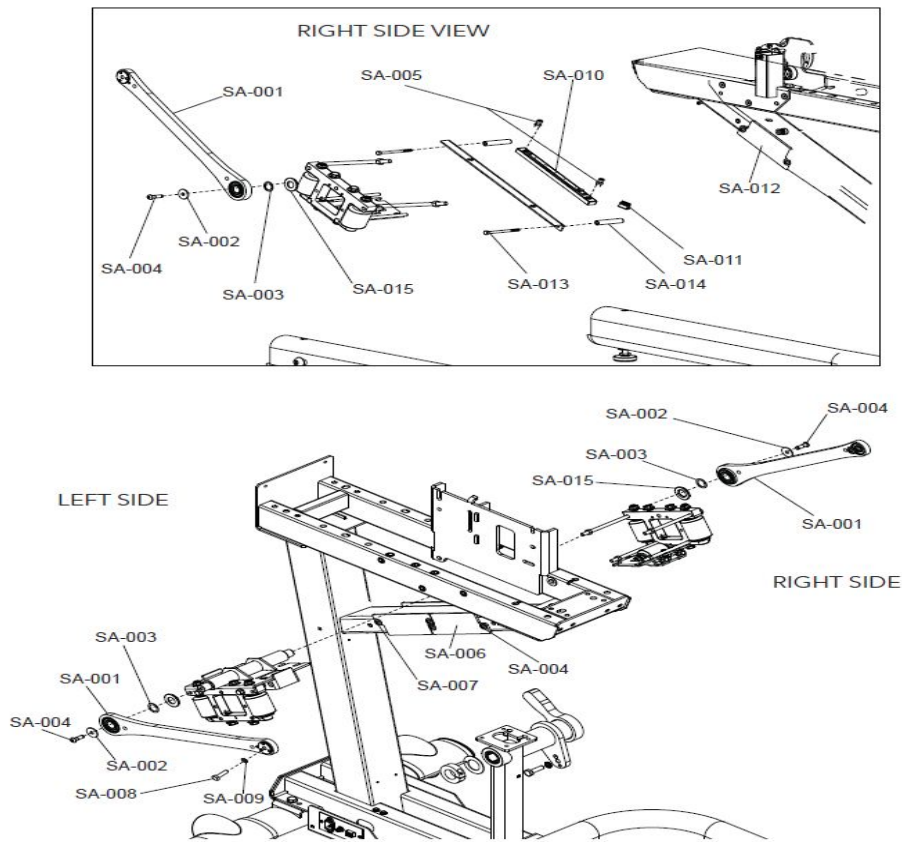
Ref #	Part Number	Qty	Description
PL-001	0017-00104-0470	2	Hardware: Washer 20 MM OD
PL-002	0017-00101-2136	2	M10x1.5x70 DIN UNS HEX CS ST ZS
PL-003	0K97-01076-0000	2	HUB: PEDAL; FRONT
PL-004	0017-00006-0314	4	BRG: THR; 54mm OD x 32mm ID x 1.5mm
PL-005	0K97-01091-2400	2	OUTER CLEVIS COVER: LEFT; CHGR
PL-006	0K97-01116-0000	4	PLATE: ROCKER
PL-007,PL-021	0017-00104-0469	20	Hardware: Flat Washer 16MM OD
PL-008	0017-00104-0193	4	Hardware: Washer 1.06" OD
PL-009	0017-00101-1945	12	Hardware: Bolt 20 MM
PL-010	AK97-00017-2600	1	ASSEMBLY: PEDAL LEVER; LH; SM CHGR
PL-011	0017-00101-2125	2	M12X 1.75 6G6G X 100 DIN UNS HEX CS ST ZN
PL-012	0017-00101-1954	4	Hardware: Mounting Screw 35MM
PL-013	0017-00009-1346	2	CAP: DOME PLUG; 2"O.D.
PL-014	0017-00101-1929	8	Hardware: Pedal Mounting Screws 25MM
PL-015	0K97-01092-2400	2	OUTER CLEVIS COVER: RIGHT; CHGR
PL-016	0017-00103-0332	2	Hardware: Mounting Nut
PL-017	0K97-01075-0700	2	PEDAL: FLEXSTRIDER; BLK
PL-018	AK97-00019-2600	1	ASSEMBLY: PEDAL LEVER; RH; SM CHGR
PL-019	0K69-01119-0000	2	Right and Left Rocking Link Cover
PL-020	0K97-01117-0000	2	SHAFT: ROCKER; CLEVIS

Miscellaneous

Ref #	Part Number	Qty	Description
MISC-001	0017-00003-1091	1	POWER SUPPLY: 24VDC, 5A
MISC-003	0017-00003-0704	1	Line Cord 10A 125 V
MISC-004	0017-00003-0691	1	Line Cord Cont 10A 250 V
MISC-005	0017-00003-0889	1	Line Cord Cont U.K. 10A
MISC-006	0017-00003-0918	1	Line Cord - Australia
MISC-007	0017-00003-1012	1	Line Cord China 10A 250 V
MISC-009	0017-00008-0204	1	Paint Spray Can - Arctic Silver
MISC-010	0017-00008-0205	1	5 oz Bottle - Arctic Silver
MISC-011	0017-00008-0223	1	WHITE BASE COAT FOR PEARLESCENT WHITE AEROSOL
MISC-012	0017-00008-0225	1	WHITE BASE COAT FOR PEARLESCENT WHITE TOUCH UP
MISC-013	0017-00008-0224	1	PEARLESCENT TOP COAT FOR PEARLESCENT WHITE AEROSOL
MISC-014	0017-00008-0226	1	PEARLESCENT TOP COAT FOR PEARLESCENT WHITE TOUCH UP
MISC-015	0017-00008-0227	1	TITANIUM AEROSOL PAINT
MISC-016	0017-00008-0228	1	LIFE FITNESS TITANIUM, BRUSH BOTTLE
MISC-017	0017-00008-0229	1	BLACK METALLIC AEROSOL
MISC-018	0017-00008-0230	1	BLACK METALLIC TOUCH UP
MISC-019	0017-00008-0231	1	CHARCOAL GRAY AEROSOL

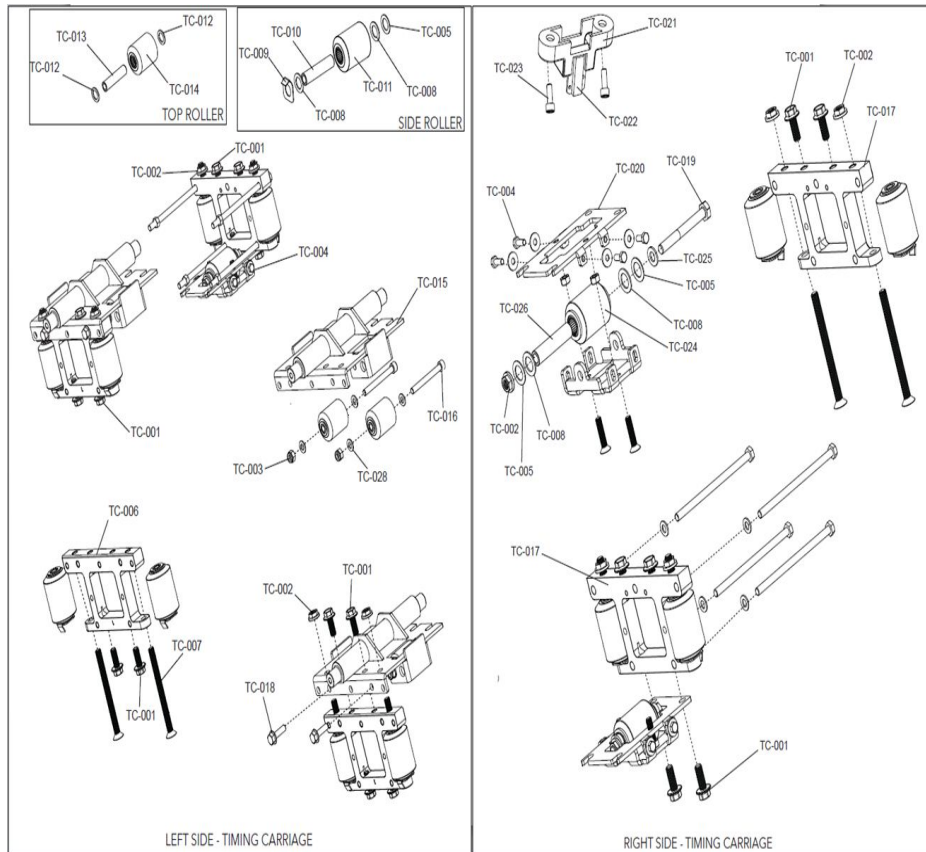
Ref #	Part Number	Qty	Description
MISC-020	0017-00008-0232	1	CHARCOAL GRAY TOUCH UP

Timing System - Stride Assembly



Ref #	Part Number	Qty	Description
SA-001	AK97-00030-0000	2	ASSEMBLY: TIMING LINK; W BEARINGS
SA-002	0017-00104-0409	2	Hardware: Washer 1.125" OD
SA-003	0017-00104-0525	2	WSH: SHIM; 20mm ID X 28mm OD X .3mm
SA-004	0017-00101-1929	10	Hardware: Pedal Mounting Screws 25MM
SA-005	0017-00101-1891	2	Hardware: Mounting Screw 16MM
SA-006	0K97-01231-0000	2	PLATE: ROLLER TRACK
SA-007	0017-00104-0469	8	Hardware: Flat Washer 16MM OD
SA-008	0017-00101-2126	2	M10X1.5X35 6G6G DIN UNS HXS CS ST ZS
SA-009	0017-00104-0527	2	WSH: WEDGE-LOCK; .375"X.83"X.1"
SA-010	AK97-00061-0000	1	ASSEMBLY: TARGET BOARD
SA-011	0017-00009-1350	2	CLAMP: FLAT CABLE WITH ADHESIVE MOUNTING
SA-012	AK97-00096-0000	2	ASS'Y: ROLLER PLATES
SA-013	0017-00101-2140	2	M6 X 1.0 6G6H X 70 HDIN UNS HEX CS ST ZS
SA-014	0K97-01232-0000	2	STAND-OFF: STRIDE BOARD
SA-015	0K97-01241-0000	2	SPACER: SHAFT; TIMING

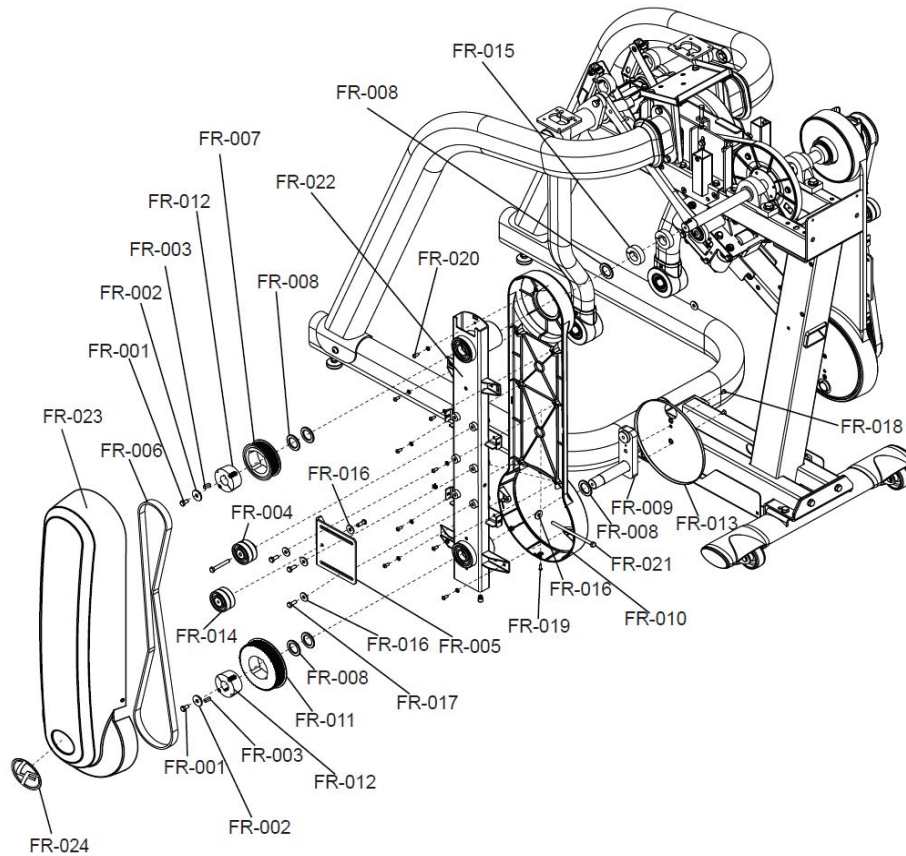
Timing System - Timing Carriage



Ref #	Part Number	Qty	Description
TC-001	0017-00101-2135	8	SCREW: M10 X 1.50 6G6H X 25, UNS, FLG, CS, ST, ZB
TC-002	0017-00103-0400	5	NUT: M10 X 1.50-6H6H DIN FLG L ST ZB
TC-003	0017-00103-0333	2	Hardware: Hex Nut
TC-004	0017-00101-2146	4	SCREW: M6x1.0x16 DIN UNS HEX CS ST ZS
TC-005	0K47-01151-0000	6	Hardware: Hardened Thrust Washer
TC-006	0K97-01221-0000	1	EXTRUSION: TIMING CARRIER; LEFT
TC-007	0017-00101-2134	4	M10X1.50-6G6GX120MM HXS FLT CS 12.9 ZN
TC-008	0K47-01144-0000	10	Hardware: Thrust Washer
TC-009	0017-00104-0528	4	WSH: HARDENED; THRUST; TABBED
TC-010,TC-026	0K97-01223-0000	5	SHAFT: MONOROLLER, M10
TC-011	AK97-00084-0000	4	ASSY: ROLLER W/BEARINGS; MONOROLLER
TC-012	0017-00006-0292	4	BEARING: THRUST; .50 X .75 X .063
TC-013	0K68-01107-0000	2	SHAFT: MINI-MONO
TC-014	AK97-00085-0000	2	ASSY: ROLLER W/BEARINGS; MINI-MONOROLLER
TC-015	AK97-00082-0000	1	WELDMNT: TIMING CARRIER; TOP
TC-016	0017-00101-1908	2	Hardware: Mounting Screw
TC-017	0K97-01222-0000	1	EXTRUSION: TIMING CARRIER; RIGHT
TC-018	0017-00101-2130	2	M8X1.25X30 6G6G DIN UNS HEX FLG ST ZB
TC-019	0017-00101-2035	1	Hardware: Mounting Screw
TC-020	0K97-01249-0000	1	PLATE: TIMING ASSY; BOTTOM

Ref #	Part Number	Qty	Description
TC-021	0K97-01234-0000	1	MOUNT: TARGET SENSOR
TC-022	118E-00001-0305	1	RESONANT INDUCTIVE TARGET 187.5KHZ
TC-023	0017-00101-1891	2	Hardware: Mounting Screw 16MM
TC-024	AK97-00079-0000	1	ASSEMBLY: TIMING; ROLLER SIDE PLATE
TC-025	0017-00104-0470	1	Hardware: Washer 20 MM OD
TC-027	0017-00104-0468	4	Hardware: Washer 18 MM OD
TC-028	0017-00104-0469	4	Hardware: Flat Washer 16MM OD

Timing System - Front Rocker Assemblies



Ref #	Part Number	Qty	Description
FR-001	0017-00101-1948	4	Hardware: Mounting Bolts 16MM
FR-002	0017-00104-0529	4	WSH: .385x1.375x.125 FL-D ST ZN
FR-003	0017-00009-1351	4	MACHINE KEY: 1/4" X 1/4" X 3/4"
FR-004	AK97-00054-0000	2	ASSEMBLY: IDLER HUB
FR-005	AK97-00024-0000	2	WELDMENT: IDLER MTG BRKT
FR-006	0017-00009-1345	2	BELT: RPP 8mm; 1800mm; 20mm SLV
FR-007	0K97-01215-0000	2	PULLEY: 40 TEETH; 8MM RPP
FR-008	0K69-01074-0000	12	Hardware: Thrust Washer 47 MM OD
FR-009	AK97-00025-0000	2	WELDMENT: CRANK ARM
FR-010	0K97-01089-2400	2	COVER: TIMING LINK; INNER; CHGR
FR-011	0K97-01214-0000	2	PULLEY: 56 TEETH; 8MM RPP
FR-012	0017-00009-1353	4	BUSHING: TAPER LOCK; 2012 X 1-1/8" BORE
FR-013	0K97-01093-0100	2	COVER: CRANK; INNER; ARC
FR-014	AK97-00053-0000	2	ASSEMBLY: ADJUSTABLE IDLER HUB
FR-015	0K69-01018-0000	4	Shaft Collar
FR-016	0017-00104-0479	8	Hardware: Flat Washer 25.4MM OD
FR-017	0017-00101-1906	6	Hardware: Hex Screw 20 MM
FR-018	0017-00101-1988	4	Hardware: Outside Crank Cover Mounting Screw 14MM
FR-019	0017-00101-1796	6	Hardware: Mounting Screw 19 MM
FR-020	0017-00101-1953	14	Hardware: Mounting Screw 14MM
FR-021	0017-00101-2118	2	M8 X 1.25 6G6G X 150 DIN UNS HEX L CS ST ZN

Ref #	Part Number	Qty	Description
FR-022	AK97-00021-0700	2	ASSEMBLY: FRONT ROCKER; BLK
FR-023	0K97-01090-2400	2	COVER: TIMING LINK; OUTER; CHGR
FR-024	0K65-01209-0000	2	LF Bug Decal

