

Silver GSC Trainer Base HV 220/230V 50/60Hz

95GS-ALLHX-0101

Parts Manual

1/5/2019 9:41:40 AM

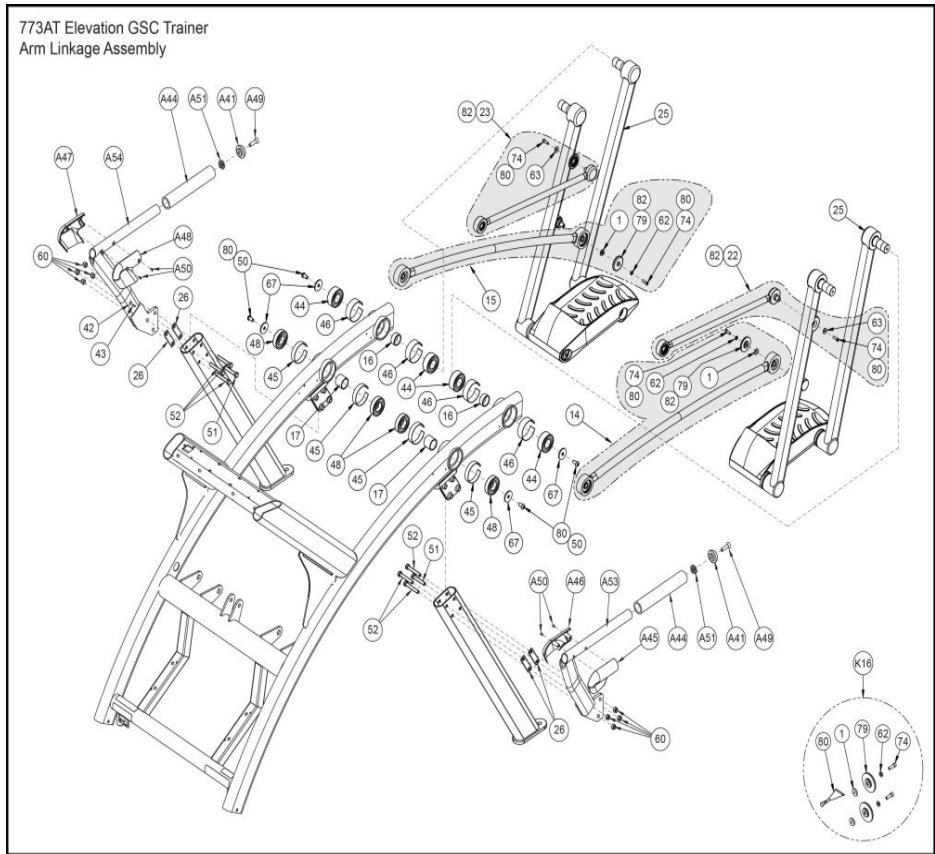


LifeFitness
WHAT WE LIVE FOR

Table of Contents

[773AT Arm Linkage Assembly.....](#)3
[773AT Console Tray Assembly.....](#)5
[773AT Cruiser Handle Kit.....](#)6
[773AT Drive Frame Assembly.....](#)8
[773AT Drive Frame Detail.....](#)10
[773AT Foot Plate Assembly.....](#)12
[773AT Handle Assembly.....](#)13
[773AT Hardware Power Cords.....](#)15
[773AT Linkage Assembly.....](#)17
[773AT Rear Cover Assembly.....](#)18
[773AT Shroud Assembly.....](#)19
[773AT Wiring Diagram.....](#)20

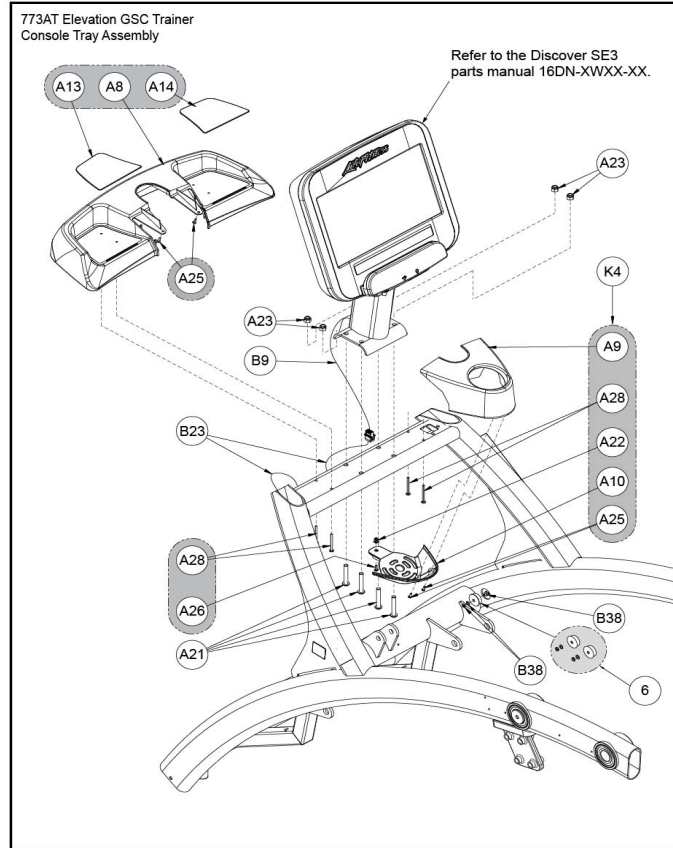
773AT Arm Linkage Assembly



Ref #	Part Number	Qty	Description
1	600A-311	2	SPACER FLANGE
14	773ATK002	1	KIT, LINKAGE ROD LEFT
15	773ATK003	1	KIT, LINKAGE ROD RIGHT
16	750A-312	2	Tube Spacer
K16	773ATK007	1	KIT, LINKAGE CAP
17	750A-325	2	Tube Spacer
22	773ATK014	1	KIT, ARM HANDLE LINKAGE LH
23	773ATK015	1	KIT, ARM HANDLE LINKAGE RH
25	773ATK008	2	KIT, FOOT PLATE ARM, REAR
26	771A-322	4	PLATE, SPACER
A41	770A-401	2	CAP, END, 1.680 OD
42	770A-345	1	WASHER, MDPE, .150 ID X .500 OD X .100
43	HP296712	1	PIN, SPRING .156 X .500
44	FB030256	4	BEARING BALL 1.181 DIA DOUBLE ROW
A44	770AT-306	2	GRIP, 9.50 INCHES
A45	770AT-310-24LF	1	HANDLE COVER OUTSIDE, LH
45	FC030003	4	TOLERANCE RING 2.4409 ID
46	FC030011	4	Tolerance Ring .62mm dia
A46	770AT-311-24LF	1	COVER HANDLE INSIDE, LH
A47	770AT-312-24LF	1	HANDLE COVER OUTSIDE, RH
A48	770AT-313-24LF	1	COVER HANDLE INSIDE, RH
48	HB-17280	4	BEARING,BALL,SINGLE ROW,6206

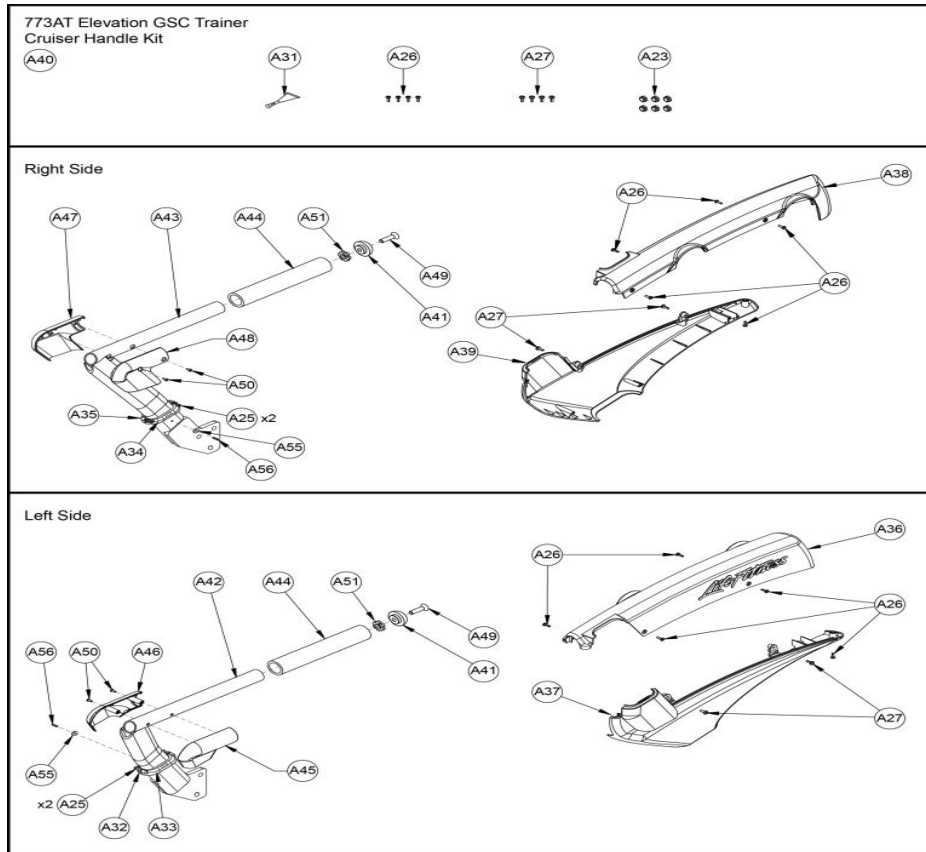
Ref #	Part Number	Qty	Description
A49	HC700922	2	FHSCS .375-16 X 1.500, SS
A50	HT552510	4	TAP SC NO 6-20 X .375 AB PHIL
50	HC700415	4	BHSCS .375-16 X .75
A51	HF709000	2	NSERT 1.12 X .375-16 UNC
51	HC701228	2	HX HD CAP SC .375-16 X 2.25
52	HC701230	6	HX HD CAP SC .375-16 X 2.500
A53	771AT-206	1	W SIDE HANDLE LH
A54	771AT-207	1	W SIDE HANDLE RH
60	HN704901	8	LOCKNUT .375-16 NYLON
62	HS307601	4	WASH FLAT .281 .500 .062 T
63	HS307603	2	WASHER FLAT .253 ID X .750 OD X .120
67	HS347602	4	WASHER .390 X 1.500 X .124 FLAT
74	HX622815	6	SHCS .250-20 X .75 SS
79	600AK012	4	KIT LINKAGE CAP
80	YA000201	1	ADH THRD LKR REM .02 OZ 242
82	YG000007	1	NLA: GREASE TRANS LUBRIPLATE 1200-2

773AT Console Tray Assembly



Ref #	Part Number	Qty	Description
K4	773ATK019	1	KIT, TRAY
6	770ATK010	1	KIT, CABLE NUT-WASHER
A8	770A-316	1	TRAY ACCESSORY
A9	770A-317	1	HOLDER, CUP, TOP
B9	AW-26008	1	CABLE,GSC TRAINER CONSOLE POST
A10	770A-318	1	HOLDER, CUP,BOTTOM
A13	773AT-326	1	DECAL 773AT, LH
A14	773AT-327	1	DECAL 773AT, RH
A21	HC700428	4	BHSCS .375-16 X 2.25
A22	HF540200	1	GROMMET NYLON
B23	AW-20935	1	Cable Frame Harness
A23	HN704901	4	LOCKNUT .375-16 NYLON
A25	HT532512	4	PN HD PHIL SC #6 X .50 PLASTITE
A26	HT552512	1	TAP SC NO. 8-16 X .50 PLASTITE PAN HEAD PHILLIPS BLACK
A28	HT592526	4	Tap Sc 10-12 x 2.00 Pn Hd Phil
B38	AW-21415	1	Cable CHR Frame

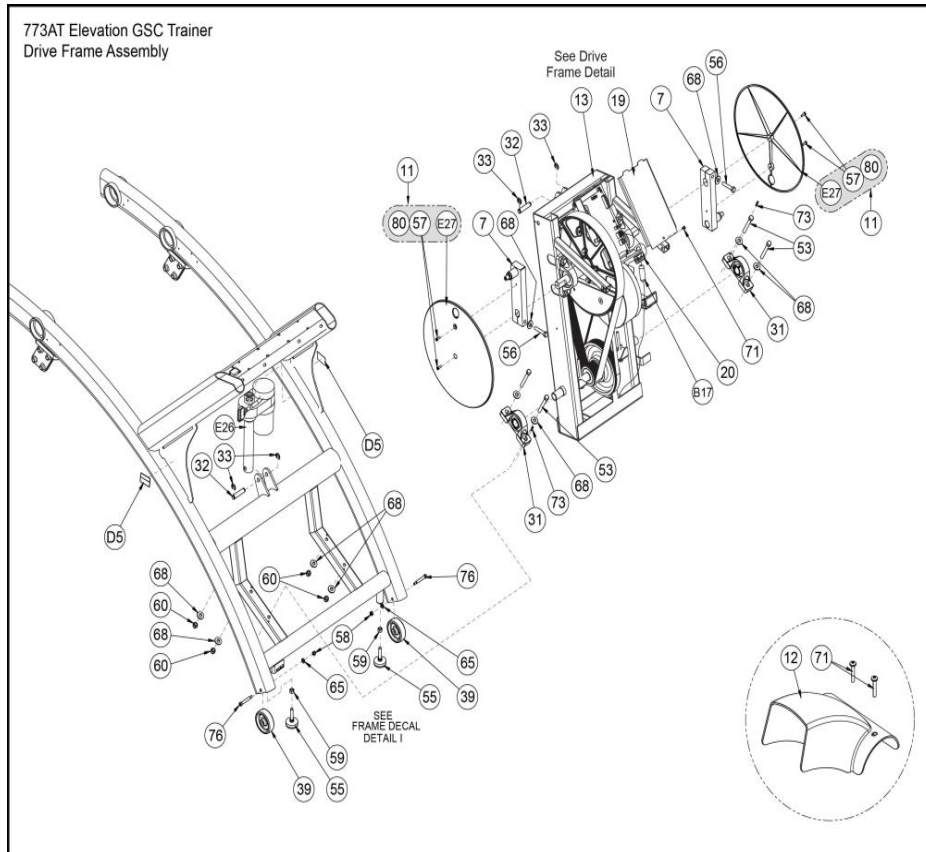
773AT Cruiser Handle Kit



Ref #	Part Number	Qty	Description
A23	HN704901	6	LOCKNUT .375-16 NYLON
A25	HT532512	4	PN HD PHIL SC #6 X .50 PLASTITE
A26	HT552512	4	TAP SC NO. 8-16 X .50 PLASTITE PAN HEAD PHILLIPS BLACK
A27	HT572515	4	SCREW, PAN HEAD PHILIPS 10-24 X .75 TYPE 23, BLK
A31	YA000201	1	ADH THRD LKR REM .02 OZ 242
A32	770A-334-24LF	1	COLLAR, LH, INNER
A33	770A-335-24LF	1	COLLAR, LH, OUTER
A34	770A-340-24LF	1	COLLAR, RH, INNER
A35	770A-341-24LF	1	COLLAR, OUTER, RH
A36	773AT-309	1	COVER, REAR TOP LH
A37	770A-320-24LF	1	COVER, REAR, OUTER, LH
A38	773AT-310	1	COVER, REAR, TOP, RH
A39	770A-323-24LF	1	COVER, REAR, OUTER, RH
A40	626ATK015	1	KIT, CRUISER HANDLE
A41	770A-401	2	CAP, END, 1.680 OD
A42	771AT-206	1	W SIDE HANDLE LH
A43	771AT-207	1	W SIDE HANDLE RH
A44	770AT-306	2	GRIP, 9.50 INCHES
A45	770AT-310-24LF	1	HANDLE COVER OUTSIDE, LH
A46	770AT-311-24LF	1	COVER HANDLE INSIDE, LH
A47	770AT-312-24LF	1	HANDLE COVER OUTSIDE, RH

Ref #	Part Number	Qty	Description
A48	770AT-313-24LF	1	COVER HANDLE INSIDE, RH
A49	HC700922	2	FHSCS .375-16 X 1.500, SS
A50	HT552510	4	TAP SC NO 6-20 X .375 AB PHIL
A51	HF709000	2	NSERT 1.12 X .375-16 UNC
A55	770A-345	2	WASHER, MDPE, .150 ID X .500 OD X .100
A56	HP296712	2	PIN, SPRING .156 X .500

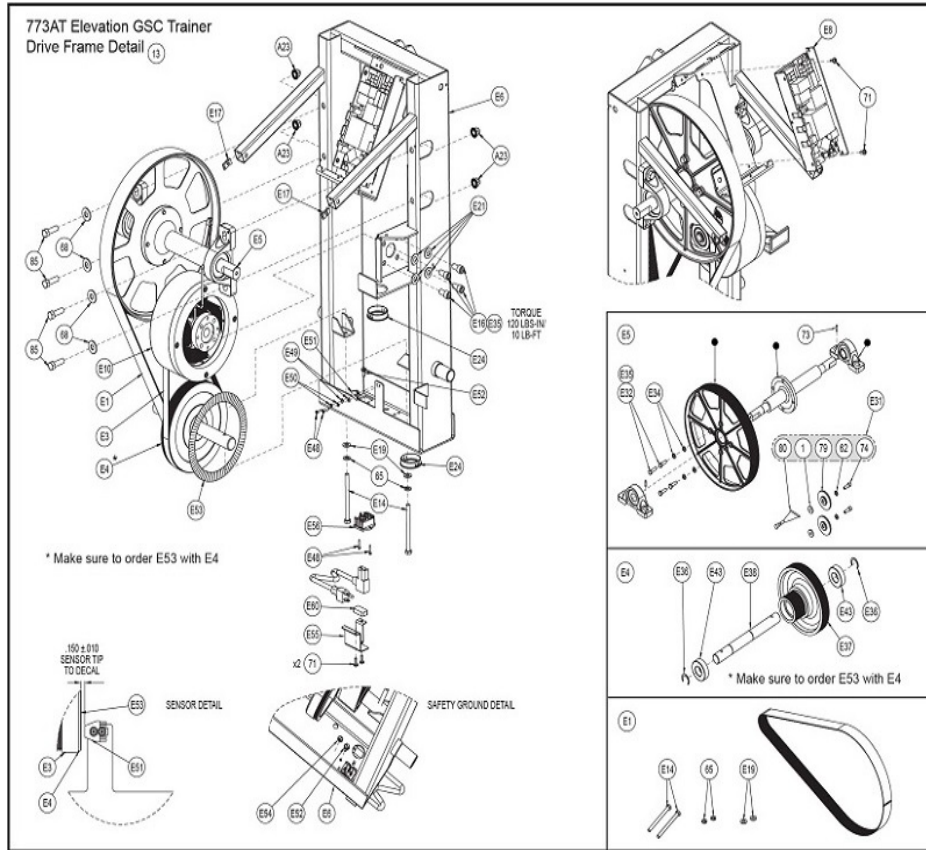
773AT Drive Frame Assembly



Ref #	Part Number	Qty	Description
D5	8039501	2	Label Warning Triangle 10-0099-067 BNR
7	610A-395	2	ASSY ARM CRANK
11	773ATK020	2	KIT, CRANK COVER
12	740A-354	1	Cover Elevation Motor
13	772A-101	1	DRIVE FRAME ASSEMBLY
B17	770A-410	1	FERRITE, 407 OHMS
19	771A-316	1	COVER, CONTROLLER
20	750A-396	1	Ferrite Clamp-on .40 ID
E26	MR-23817	1	MOTOR, ELEVATION, 230VAC, 50/60 HZ
E26	MR-23816	1	MOTOR, ELEVATION, 115VAC, 50/60 HZ
E27	1006629-0002	2	COVER, CRANK-CHR
31	AF-16694	2	ASSY,BEARING,PILLOW BLOCK
32	AP030055	1	Pin Groove .50 x 2.00
33	BR030228	2	Retaining Ring .500 External
39	CW-17231	2	WHEEL, TENSIONER
53	HC701234	4	HX HD CAP SC .375-16 X 3.00
55	HG700022	2	LEVELING GLIDE 3-8-16
56	HH701226	2	BOLT, HHCS GRD 8, .375-16 X 2.0
57	HM582514	4	PN HD PHIL SC NO 10-32 X .625 BLK ZN
58	HN624901	2	LOCKNUT .250-20 NYLON BLACK ZINC
59	HN704000	2	HEX NUT .375-16
60	HN704901	4	LOCKNUT .375-16 NYLON

Ref #	Part Number	Qty	Description
65	HS328300	2	LOCKWASHER SPLIT .312
68	HS347700	10	WASHER USS .375
71	HT572512	1	TAP SC NO. 10 - 24 X .50 PN HD PHIL
73	HX-17023	2	PIN,SPRING .187X.813 LG,TYPE 420,ST STL
76	JD623324	2	S BOLT .312 X 1.75 .250-20
80	YA000201	1	ADH THRD LKR REM .02 OZ 242

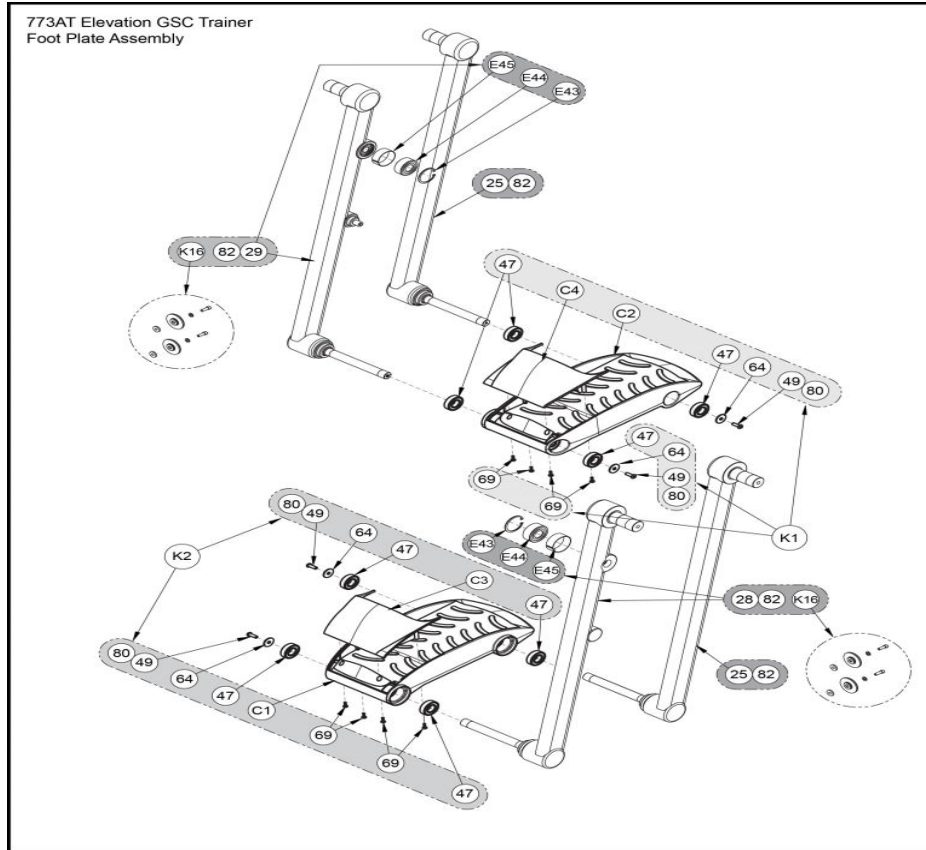
773AT Drive Frame Detail



Ref #	Part Number	Qty	Description
1	600A-311	2	SPACER FLANGE
E1	773ATK005	1	KIT, 16 RIB BELT TENSIONING
E3	630A-328	1	BELT SECONDARY DRIVE 7 RIB
E4	771A-110	1	DOUBLE PULLEY ASSY
E5	773ATK006	1	KIT, PULLEY CRANK SHAFT
E6	771A-205	1	W DRIVE FRAME Custom
E8	1009604-0001	1	ASSEMBLY: LOWER CONTROL BOARD, AC ARC BRAKE, EDDY CURRENT (900W), WITHOUT GENERATOR
E10	MR-23667	1	DRIVE FRAME ASSEMBLY
13	772A-101	1	HX HD CAP SC .312-18 X 3.75
E14	HC661240	2	SHCS .375-16 X .750
E16	HC702815	4	PANEL FASTENER 10-24 U TYPE
E17	HF579000	2	WASHER SAE .312
E19	HS327600	2	WASHER SAE .375
E21	HS347600	4	LOCKNUT, .375-16 SERRATED HEX
A23	HN704001	4	BUSHING, 1.275ID X 1.87 OD, NYLON INSULATED
E24	HX-17050	2	KIT, LINKAGE CAP
E31	773ATK007	1	KIT, LINKAGE CAP
E32	HC661217	4	HX HD CAP SC .312-18 X 1.000
E34	HS760100	4	WASH FLAT .380 .625 .090 T
E35	YA000221	1	ADH THRD LKR PERM .5 ML 262
E36	BR030221	2	RING RETAINING EXT CRESCENT

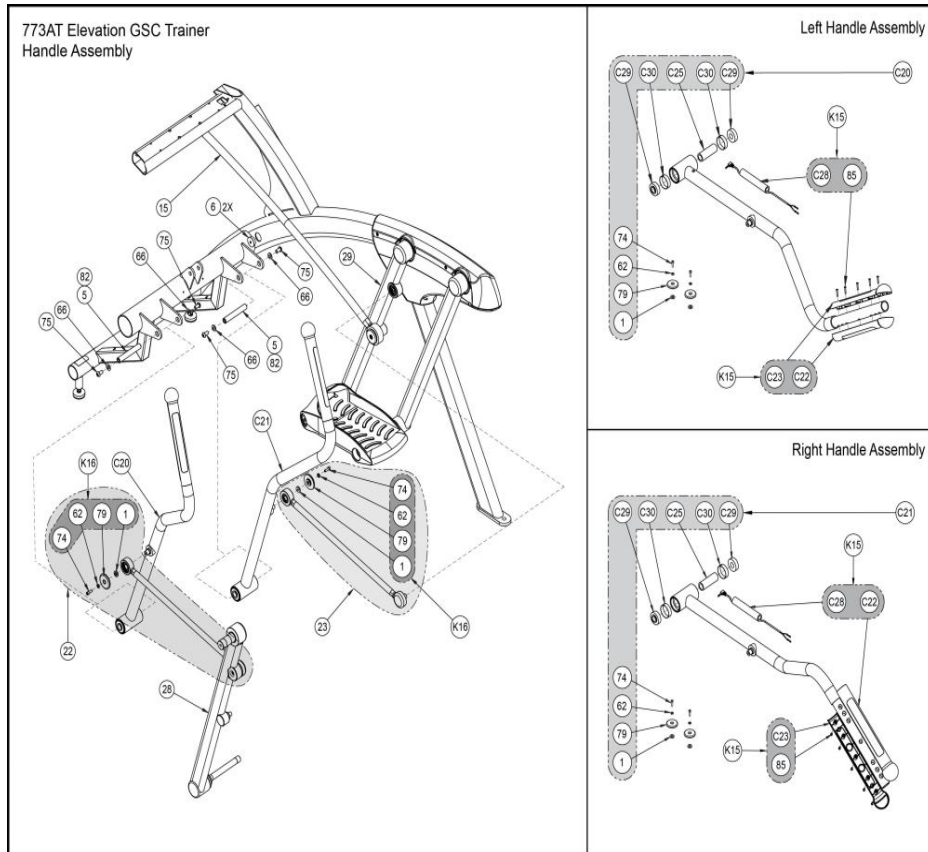
Ref #	Part Number	Qty	Description
E37	600AK014	1	KIT LOWER PULLEY ASSY
E38	771A-318	1	SHAFT, LOWER
E43	FB030243	2	BEARING 25MMIDX52MMOD 6205
E48	HM522514	4	PN HD PHIL SC NO 4-40 X .62
E49	HS047600	2	WASHER SAE .112 NO 4
E50	HS048300	2	LOCKWASHER SPLIT .112-NO 4
E51	EW600003	2	CABLE OPTO SENSOR ARMORED
E52	JH581512	1	SCREW, HEX WASHER HEAD 10-32 X .50 TAPTITE GREEN GROUND
E53	DE-17019	1	DISC,SPEED SENSOR
E54	CM000237	1	DECAL SAFETY GROUND
E55	525AT-396	1	BRACKET, POWER CORD RETAINING
E56	771A-319	1	MODULE, IEC 320 C14, SWITCHED
E60	20000-560	1	BUMPER
62	HS307601	2	WASH FLAT .281 .500 .062 T
65	HS328300	4	LOCKWASHER SPLIT .312
68	HS347700	4	WASHER USS .375
71	HT572512	4	TAP SC NO. 10 - 24 X .50 PN HD PHIL
73	HX-17023	2	PIN,SPRING .187X.813 LG,TYPE 420,ST STL
74	HX622815	2	SHCS .250-20 X .75 SS
79	600AK012	2	KIT LINKAGE CAP
80	YA000201	1	ADH THRD LKR REM .02 OZ 242
85	HC701220	4	BOLT,3-8-16X1.25.HXHD

773AT Foot Plate Assembly



Ref #	Part Number	Qty	Description
C1	740A-378	1	Foot Plate LH
K1	773ATK012	1	KIT, FOOT PLATE RIGHT
K2	773ATK013	1	KIT, FOOT PLATE LEFT
C2	740A-379	1	Foot Plate RH
C3	740A-380	1	Toe Cap LH
C4	740A-381	1	Toe Cap RH
K16	773ATK007	2	KIT, LINKAGE CAP
25	773ATK004	2	KIT, CABLE NUT-WASHER
28	773ATK009	1	KIT, FOOT PLATE ARM, FRONT LEFT SIDE
29	773ATK010	1	KIT, FOOT PLATE ARM, FRONT RIGHT SIDE
E43	BR030225	2	RETAINING RING 1.438 INTERNAL
E44	FB030248	2	BEARING SPHERICAL 15MM
E45	FC030005	2	TOLERANCE RING 1.375 ID
47	HB-17036	8	BEARING,BALL, .750DIA
49	HC620415	4	BHSCS .250-20 X .75, BL ZN
64	HS307604	4	WASHER, FLAT .281 ID X 1.000 OD X .063 TH BL ZN
69	HT552512	8	TAP SC NO. 8-16 X .50 PLASTITE PAN HEAD PHILLIPS BLACK
80	YA000201	1	ADH THRD LKR REM .02 OZ 242
82	YG000007	1	NLA: GREASE TRANS LUBRIPLATE 1200-2

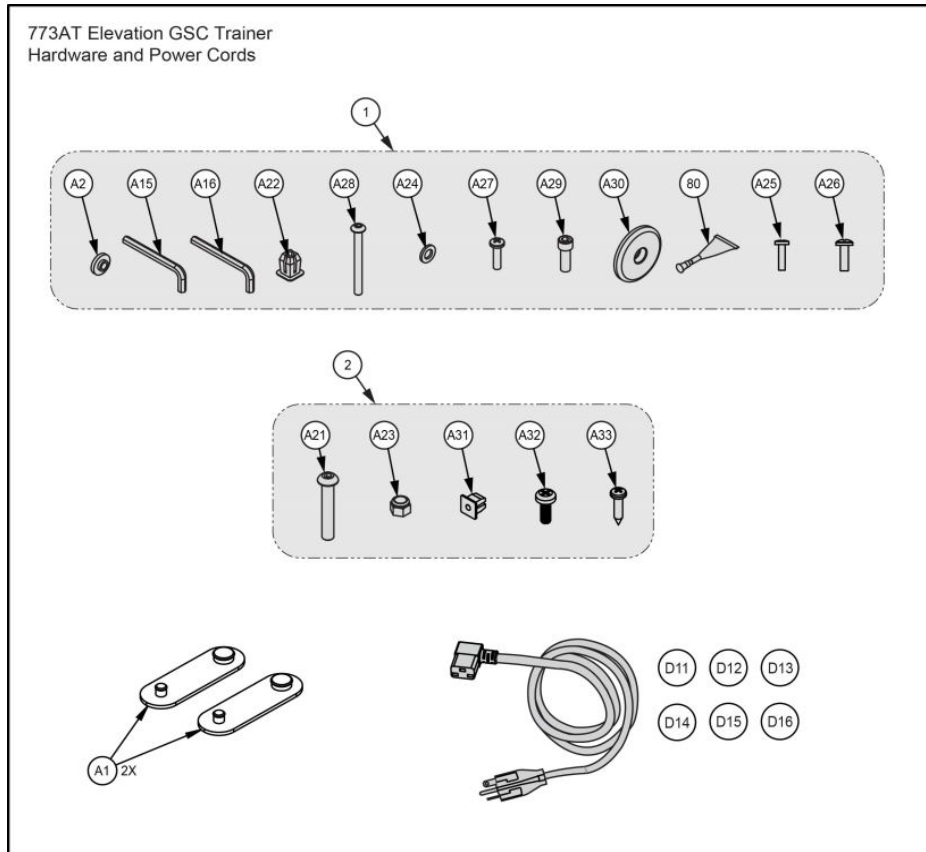
773AT Handle Assembly



Ref #	Part Number	Qty	Description
1	600A-311	4	SPACER FLANGE
5	610A-351	2	PIN PIVOT
6	610AK021	2	KIT PLUG INSERT
15	773ATK003	1	KIT, LINKAGE ROD RIGHT
K15	773ATK016	2	KIT, CONTACT GRIPS WITH WIRES
K16	773ATK007	2	KIT, LINKAGE CAP
C20	773ATK017	1	KIT, ARM HANDLE, LEFT SIDE
C21	773ATK018	1	KIT, ARM HANDLE, RIGHT SIDE
C22	425A-378	2	GRIP HOUSING WITH METAL PLATEFRONT
22	773ATK014	1	KIT, ARM HANDLE LINKAGE LH
C23	425A-379	2	GRIP: CHR BACK, W/SCREWS
23	773ATK015	1	KIT, ARM HANDLE LINKAGE RH
C25	610A-356	2	TUBE SPACER
28	770ATK008	1	NLA: KIT, FOOT PLATE ARM, FRONT LEFT SIDE
C28	AW-18286	2	CABLE 610A CHR GRIP
29	773ATK010	1	KIT, FOOT PLATE ARM, FRONT RIGHT SIDE
C29	FB030232	4	BRG RADIAL 17MM ID EXT RACE
C30	FC030006	4	TOLERANCE RING 1.575 ID
62	HS307601	6	WASH FLAT .281 .500 .062 T
66	HS347600	4	WASHER SAE .375
74	HX622815	6	SHCS .250-20 X .75 SS
75	HX700415	4	BHSCS .375-16 X .75 SS

Ref #	Part Number	Qty	Description
79	600AK012	6	KIT LINKAGE CAP
82	YG000007	1	NLA: GREASE TRANS LUBRIPLATE 1200-2
85	HT532515	10	PN HD PHIL SC NO 6 X .75 PLASTITE

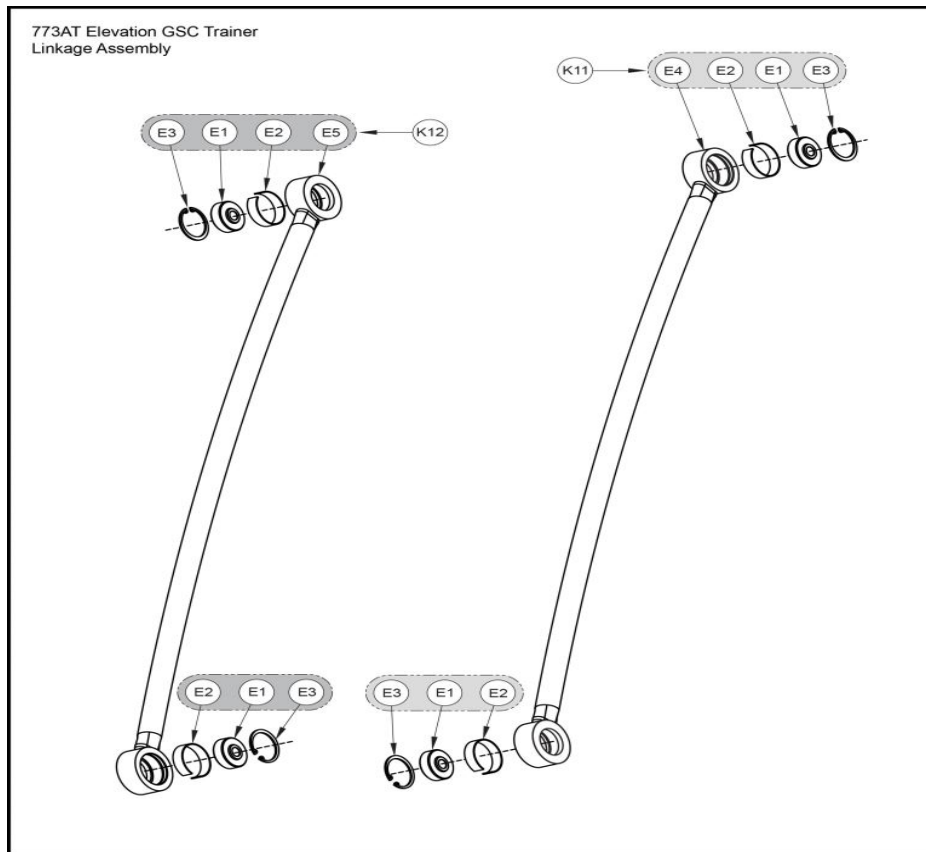
773AT Hardware Power Cords



Ref #	Part Number	Qty	Description
A1	12090-322	2	PAD FOOT
1	773AT-340	1	HARDWARE PACK, 773AT
2	773AT-341	1	HARDWARE PACK, 773AT CONSOLE MOUNT, LF
A2	600A-311	2	SPACER FLANGE
D11	0017-00003-1084	1	LINE-CORD: ARGENTINA, IEC-C13 LEFT ANGLE
D12	0017-00003-1085	1	LINE-CORD: AUSTRALIA, IEC-C13 LEFT ANGLE
D13	0017-00003-1083	1	LINE-CORD: BRAZIL, IEC-C13 LEFT ANGLE
D14	0017-00003-1086	1	LINE-CORD: CON, RA PLUG, IEC-C13 LEFT ANGLE
D15	0017-00003-1082	1	LINE-CORD: DOM, RA OFFSET PLUG, IEC-C13 LEFT ANGLE
A15	BK030201	1	HEX KEY .188IN
A16	BK030204	2	HEX KEY .219IN
D16	0017-00003-1087	1	LINE-CORD: UK, RA PLUG, IEC-C13 LEFT ANGLE
A21	HC700428	4	BHSCS .375-16 X 2.25
A22	HF540200	1	GROMMET NYLON
A23	HN704901	4	LOCKNUT .375-16 NYLON
A24	HS307601	2	WASH FLAT .281 .500 .062 T
A25	HT532512	2	PN HD PHIL SC #6 X .50 PLASTITE
A26	HT552512	19	TAP SC NO. 8-16 X .50 PLASTITE PAN HEAD PHILLIPS BLACK
A27	HT572515	8	SCREW, PAN HEAD PHILIPS 10-24 X .75 TYPE 23, BLK
A28	HT592526	4	Tap Sc 10-12 x 2.00 Pn Hd Phil

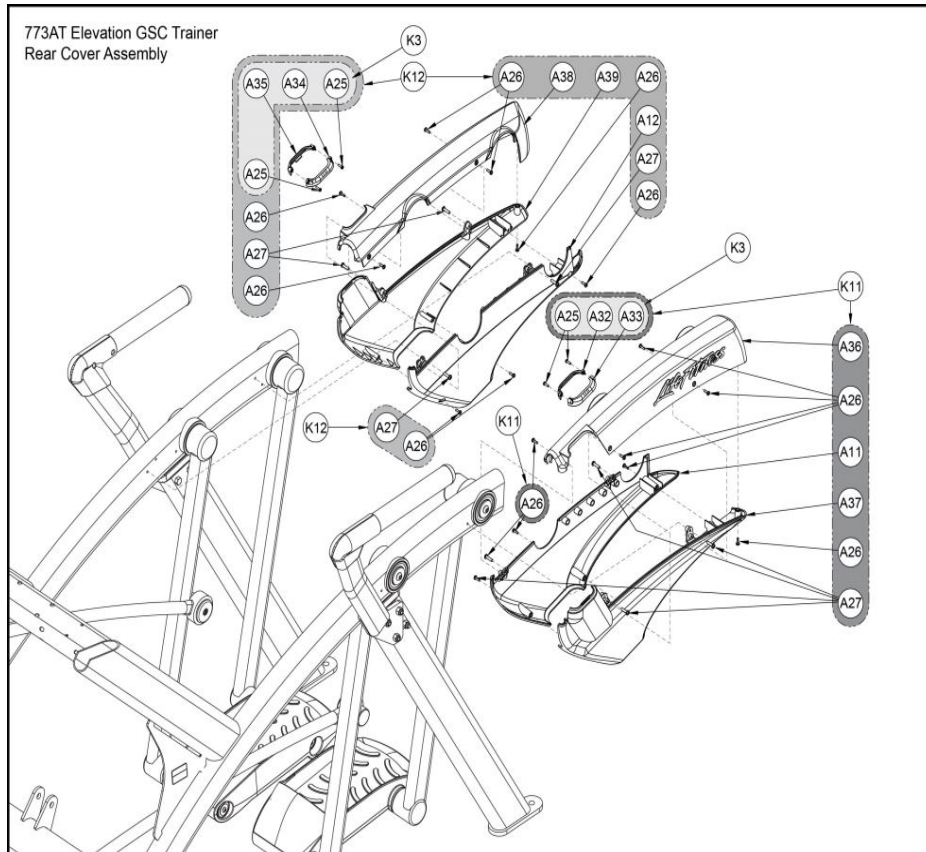
Ref #	Part Number	Qty	Description
A29	HX622815	2	SHCS .250-20 X .75 SS
A30	600AK012	3	KIT LINKAGE CAP
A31	0017-00042-1147	2	Hardware: Nylon Grommet
A32	0017-00101-1940	4	Hardware: Screw 14MM
A33	0017-00101-1796	2	Hardware: Mounting Screw 19 MM
80	YA000201	1	ADH THRD LKR REM .02 OZ 242

773AT Linkage Assembly



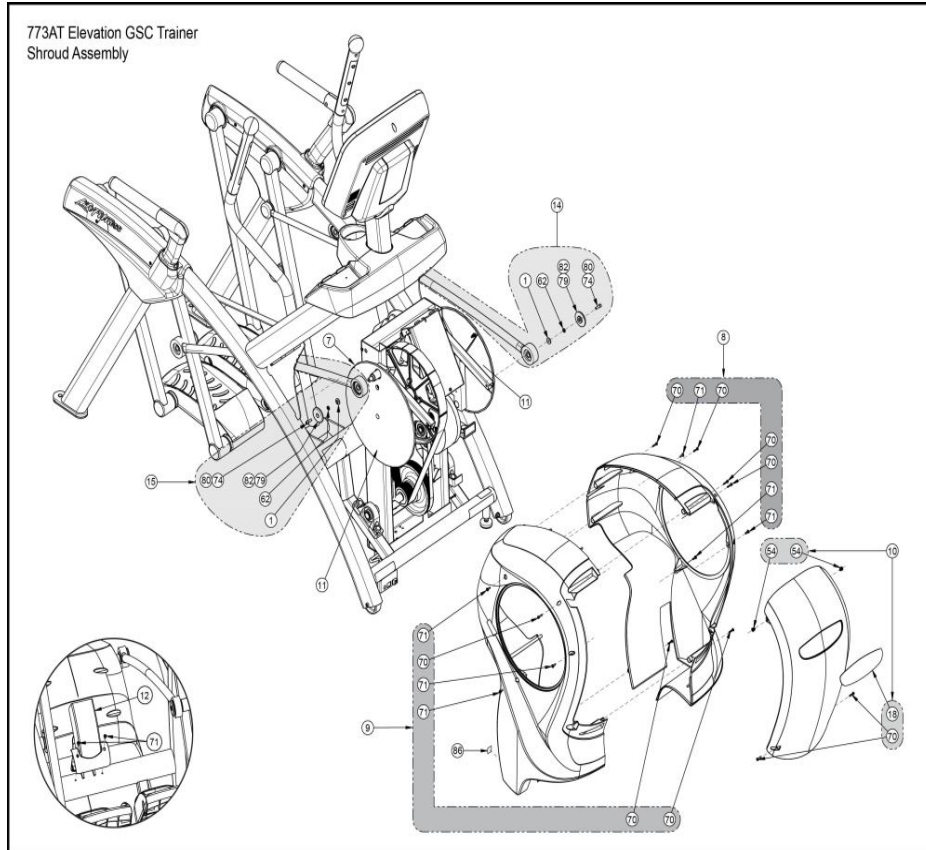
Ref #	Part Number	Qty	Description
E1	FB030244	4	BEARING, .50IDX1.688OD,RADIAL BALL,SELF ALIGN
E2	FC030004	4	TOLERANCE RING 42MM ID
E3	HX-17143	4	RING RETAINING,INT,5000-168
E4	750AK006	1	KIT, LINKAGE ROD LEFT
E5	750AK007	1	KIT, LINKAGE ROD RIGHT
K11	773ATK002	1	KIT, LINKAGE ROD LEFT
K12	773ATK003	1	KIT, LINKAGE ROD RIGHT

773AT Rear Cover Assembly



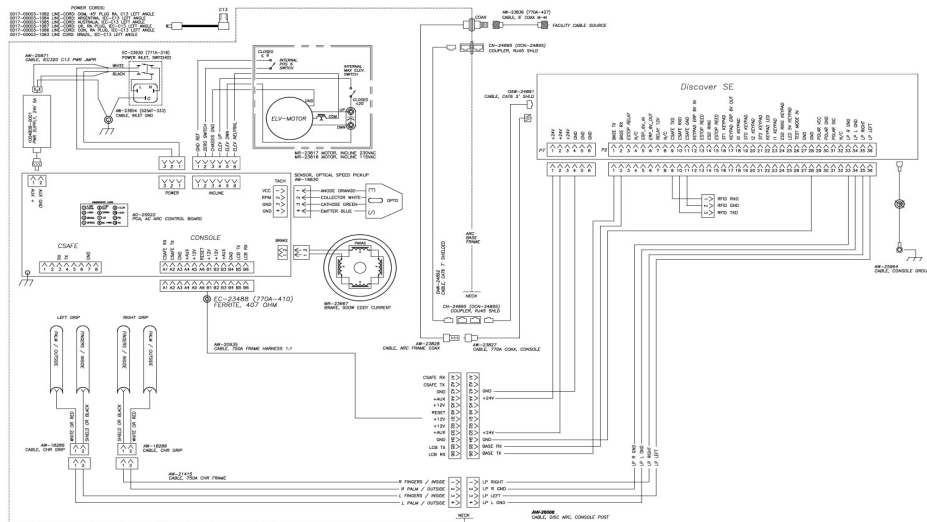
Ref #	Part Number	Qty	Description
K3	773ATK021	1	KIT, COLLAR SET
A11	770A-321-24LF	1	COVER, REAR, INNER, LH
K11	773ATK022	1	KIT, PIVOT COVER, LEFT SIDE
K12	773ATK023	1	KIT, PIVOT COVER, RIGHT SIDE
A12	770A-324-24LF	1	COVER, INNER, REAR, RH
A25	HT532512	4	PN HD PHIL SC #6 X .50 PLASTITE
A26	HT552512	16	TAP SC NO. 8-16 X .50 PLASTITE PAN HEAD PHILLIPS BLACK
A27	HT572515	8	SCREW, PAN HEAD PHILIPS 10-24 X .75 TYPE 23, BLK
A32	770A-334-24LF	1	COLLAR, LH, INNER
A33	770A-335-24LF	1	COLLAR, LH, OUTER
A34	770A-340-24LF	1	COLLAR, RH, INNER
A35	770A-341-24LF	1	COLLAR, OUTER, RH
A36	773AT-309	1	COVER, REAR TOP LH
A37	770A-320-24LF	1	COVER, REAR, OUTER, LH
A38	773AT-310	1	COVER, REAR, TOP, RH
A39	770A-323-24LF	1	COVER, REAR, OUTER, RH

773AT Shroud Assembly



Ref #	Part Number	Qty	Description
1	600A-311	2	SPACER FLANGE
7	610A-395	1	ASSY ARM CRANK
8	773ATK024	1	KIT, GSC COVER LEFT
9	773ATK025	1	KIT, GSC COVER RIGHT
10	773ATK026	1	KIT, ACCESS COVER
11	773ATK020	2	KIT, CRANK COVER
12	740A-354	1	Cover Elevation Motor
14	773ATK002	1	KIT, LINKAGE ROD LEFT
15	773ATK003	1	KIT, LINKAGE ROD RIGHT
18	773AT-325	1	DECAL LOGO, GSC
54	HF540200	2	GROMMET NYLON
62	HS307601	2	WASH FLAT .281 .500 .062 T
70	HT552515	8	TAP SC NO. 8-16 X .75 PLASTITE PN HD PHIL BLK
71	HT572512	8	TAP SC NO. 10 - 24 X .50 PN HD PHIL
74	HX622815	2	SHCS .250-20 X .75 SS
79	600AK012	2	KIT LINKAGE CAP
80	YA000201	1	ADH THRD LKR REM .02 OZ 242
82	YG000007	1	NLA: GREASE TRANS LUBRIPLATE 1200-2
86	CM000268	1	DECAL, ON/OFF POWER

773AT Wiring Diagram



Ref #	Part Number	Qty	Description
-	0017-00003-1083	1	LINE-CORD: BRAZIL, IEC-C13 LEFT ANGLE
-	MR-23817	1	MOTOR, ELEVATION, 230VAC, 50/60 HZ
-	AW-23836	1	CABLE,6' COAX F-TYPE M-M
-	EW600003	1	CABLE OPTO SENSOR ARMORED
-	1009604-0001	1	ASSEMBLY: LOWER CONTROL BOARD, AC ARC
-	0017-00003-1087	1	LINE-CORD: UK, RA PLUG, IEC-C13 LEFT ANGLE
-	AW-23827	1	CABLE,2' COAX 3GHZ F-TYPE M-M JUMPER
-	MR-23667	1	BRAKE, EDDY CURRENT (900W), WITHOUT GENERATOR
-	770A-410	1	FERRITE, 407 OHMS
-	MR-23816	1	MOTOR, ELEVATION, 115VAC, 50/60 HZ
-	CN-24895	1	COUPLER,CAT6 SHIELDED RJ45 8 C
-	OAW-24891	1	CABLE, CAT6 SHIELED, 2 FT(24 IN.), BLK
-	0017-00003-1084	1	LINE-CORD: ARGENTINA, IEC-C13 LEFT ANGLE
-	525AT-333	2	CABLE, INLET GND
-	AW-26008	1	CABLE,GSC TRAINER CONSOLE POST
-	1004808-0001	1	POWER SUPPLY: 100-240VAC TO 24VDC, 5A, 2.5MM PLUG
-	AW-18286	2	CABLE 610A CHR GRIP
-	AW-25964	1	CABLE, CONSOLE GROUND 4-PASS FERRITE
-	AW-20935	1	Cable Frame Harness
-	0017-00003-1085	1	LINE-CORD: AUSTRALIA, IEC-C13 LEFT ANGLE

Ref #	Part Number	Qty	Description
-	AW-25871	1	Cable, 773AT Power INLET
-	EF-12123	2	FUSE 4A SLO-BLO 5X20MM
-	OAW-24892	1	CABLE, CAT6 SHIELED, 7 FT(84 IN.)
-	0017-00003-1082	1	LINE-CORD: DOM, RA OFFSET PLUG, IEC-C13 LEFT ANGLE
-	0017-00003-1086	1	LINE-CORD: CON, RA PLUG, IEC-C13 LEFT ANGLE
-	771A-319	1	MODULE, IEC 320 C14, SWITCHED
-	AW-23828	1	CABLE,770A,RG59 COAX,X FRAME
-	AW-21415	1	Cable CHR Frame

