

# 95Li LIFT - Heart Rate

95L-0000-01

## Parts Manual

1/5/2019 9:41:40 AM

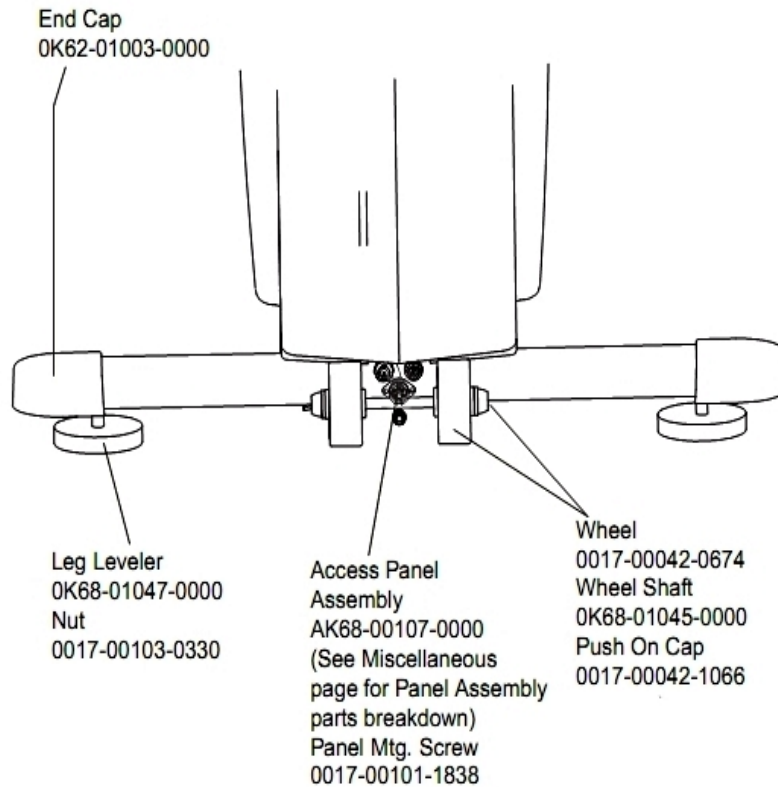


**Table of Contents**

---

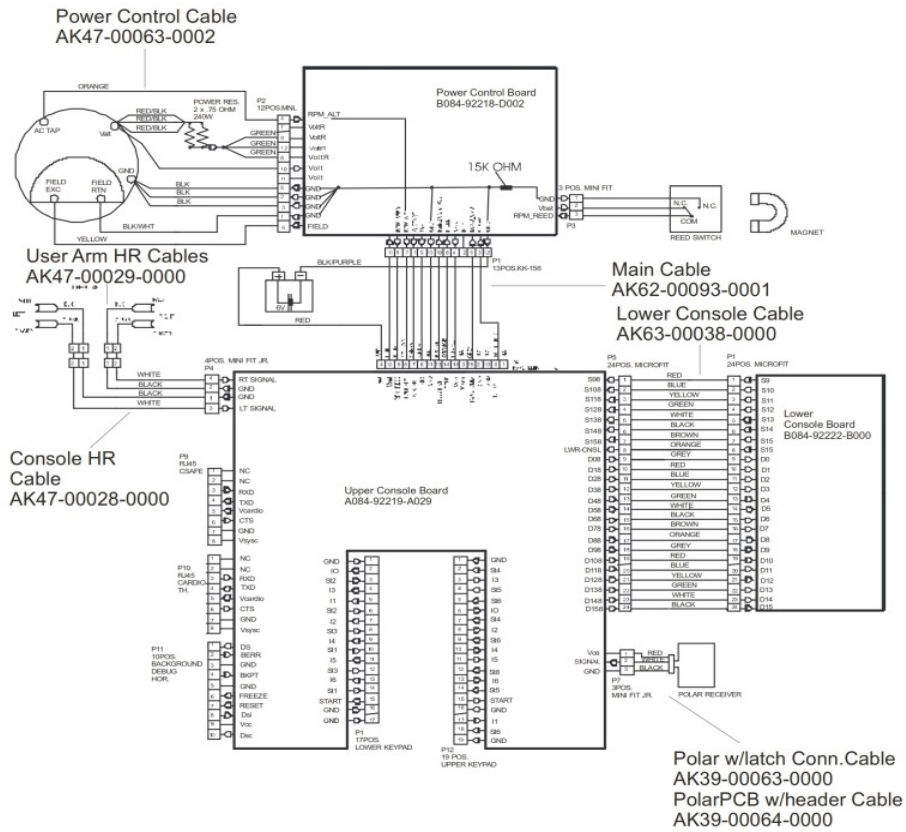
<a href="#">Access Panel, Wheels and Leg Levelers</a> .....	3
<a href="#">Cables</a> .....	4
<a href="#">Clutch Pulley and Shaft Assembly</a> .....	5
<a href="#">Clutch Shaft and Sprockets</a> .....	6
<a href="#">Console and Related Components</a> .....	7
<a href="#">Console Support and Deadshaft Covers</a> .....	8
<a href="#">Flexonic Belts and Tensioner Bracket</a> .....	9
<a href="#">Lower PCB, Battery and Alternator</a> .....	10
<a href="#">Lower Track Cover and Hardware</a> .....	11
<a href="#">Monocolumn, Handrail and Vertical Uprights</a> .....	12
<a href="#">Pedals, Truck and Roller Assembly</a> .....	13
<a href="#">Pedal Track Covers and Hardware</a> .....	14
<a href="#">References</a> .....	15
<a href="#">Resistor Assembly and Crossover Pulley</a> .....	16
<a href="#">Rocker Arms and Control Link</a> .....	17
<a href="#">Rocker Arm/Control Link Covers</a> .....	18
<a href="#">Shrouds, Boot and Rear Step Assembly</a> .....	19
<a href="#">Timing Belts and Springs</a> .....	20
<a href="#">User Arms and Hardware</a> .....	21

## Access Panel, Wheels and Leg Levelers



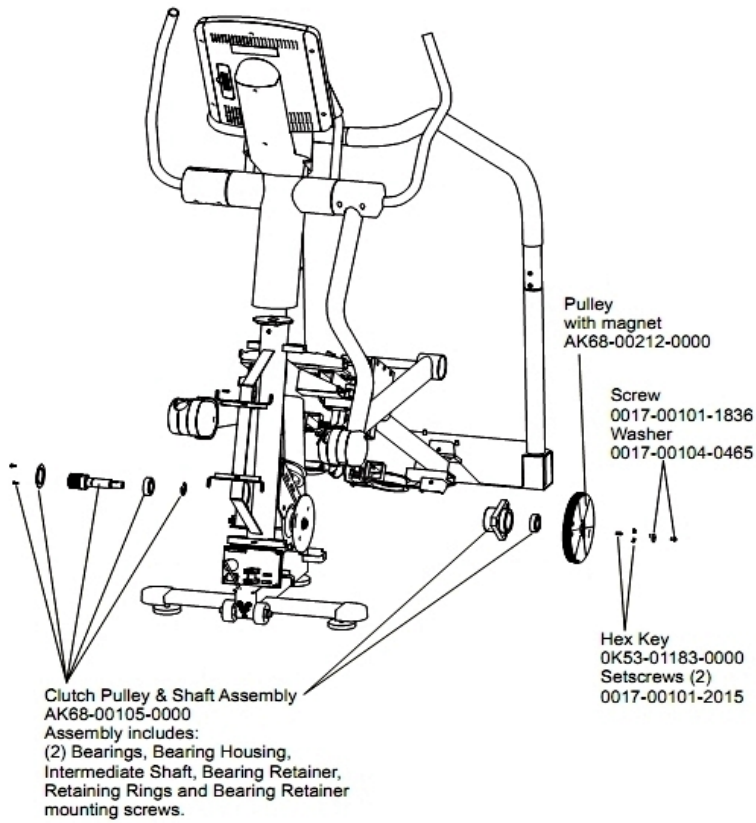
Ref #	Part Number	Qty	Description
-	0K68-01045-0000	2	Wheel Shaft
-	0017-00042-0674	2	Wheel
-	0K68-01047-0000	2	Leg Leveler
-	AK68-00107-0000	1	Access Panel Assembly
-	0K68-01130-0300	4	CAP; STABILIZER; STEALTH GREY
-	0017-00101-1838	1	Hardware: Mounting Screw 19 MM
-	0017-00103-0330	2	Hardware: Nut 10 MM ID
-	0017-00042-1066	2	Push-on cap

### Cables



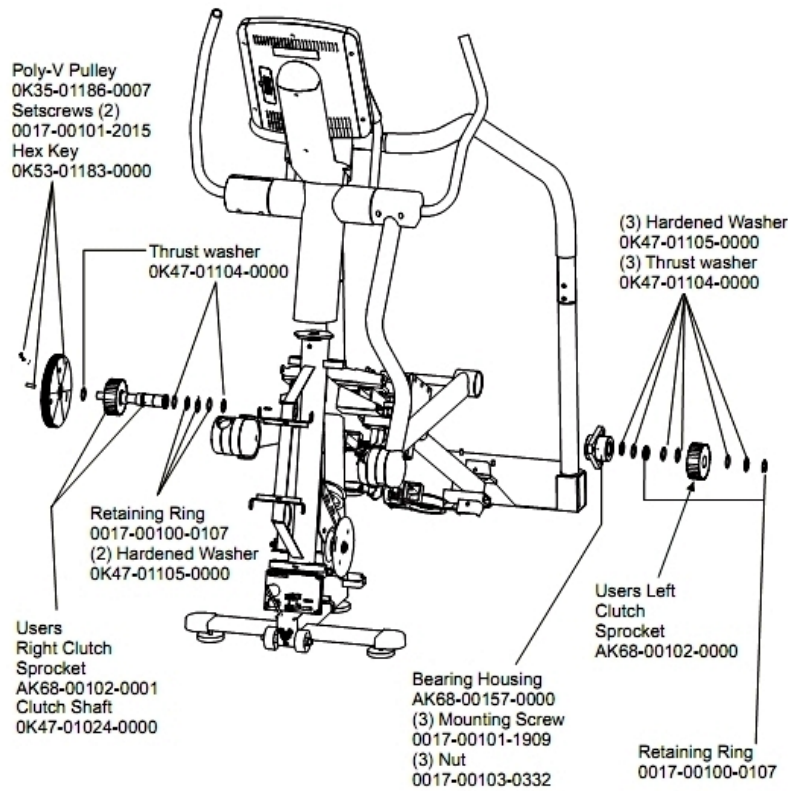
Ref #	Part Number	Qty	Description
-	AK47-00028-0000	1	Lifepulse Cable
-	AK47-00063-0002	1	DC Power Cable
-	AK62-00093-0001	1	Console: Cable Assembly: LED

# Clutch Pulley and Shaft Assembly



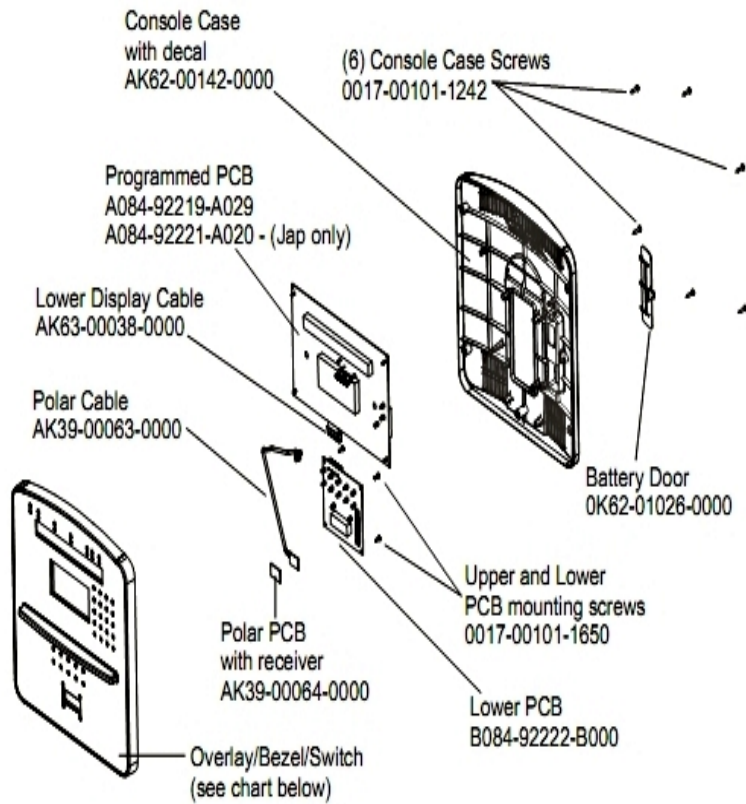
Ref #	Part Number	Qty	Description
-	AK68-00212-0000	1	Pulley w/Magnet
-	AK68-00105-0000	1	Clutch Pulley and Shaft Assembly
-	0K53-01183-0000	1	Hex key
-	0017-00104-0465	1	Hardware: Flat Washer 23MM OD
-	0017-00101-2015	2	Hardware: Pulley Set Screw 15 MM
-	0017-00101-1836	1	Hardware: Screw 10 MM

# Clutch Shaft and Sprockets



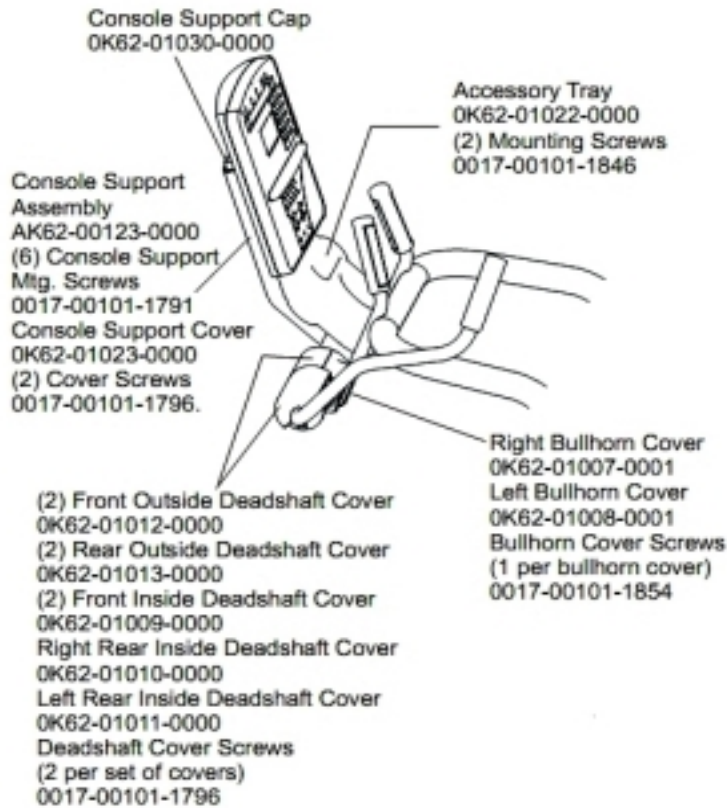
Ref #	Part Number	Qty	Description
-	0017-00103-0332	3	Hardware: Mounting Nut
-	AK68-00102-0001	1	Users Right Clutch Sprocket
-	OK35-01186-0007	1	Poly-V Pulley
-	AK68-00157-0000	1	Bearing House
-	OK53-01183-0000	1	Hex key
-	OK47-01105-0000	5	Hardware: Hardened Thrust Washer
-	OK47-01024-0000	1	Clutch Shaft
-	0017-00100-0107	2	Hardware: E-Ring 1"
-	0017-00101-1909	3	Hardware: Hex Bolt 35 MM
-	0017-00101-2015	2	Hardware: Pulley Set Screw 15 MM
-	AK68-00102-0000	1	Clutch Sprocket
-	OK47-01104-0000	6	Hardware: Thrust Washer

## Console and Related Components



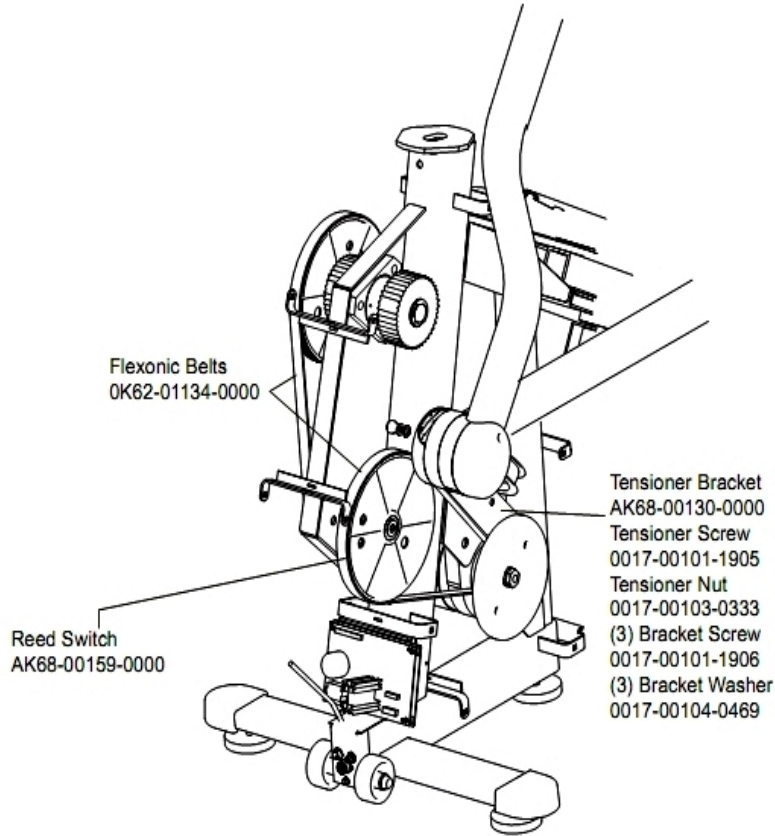
Ref #	Part Number	Qty	Description
-	0K62-01026-0000	1	Battery Door
-	A084-92219-A029	1	PCB Assembly
-	AK62-00142-0000	1	Console Case with Decal
-	AK39-00063-0000	1	Polar Cable
-	AK63-00038-0000	1	Lower Console Cable
-	AK68-00184-0001	1	Overlay/Bezel/Switch English/LED
-	0017-00101-1242	6	Hardware: Phillips Pan Screw 0.75"
-	0017-00101-1650	1	Hardware: Phillips Pan Screw 0.375"
-	B084-92222-B000	1	Console Board - Lower
-	AK68-00183-0001	1	Console English/LED
-	118E-00001-0259	1	Wireless Receiver Module, Non-Coded

## Console Support and Deadshaft Covers



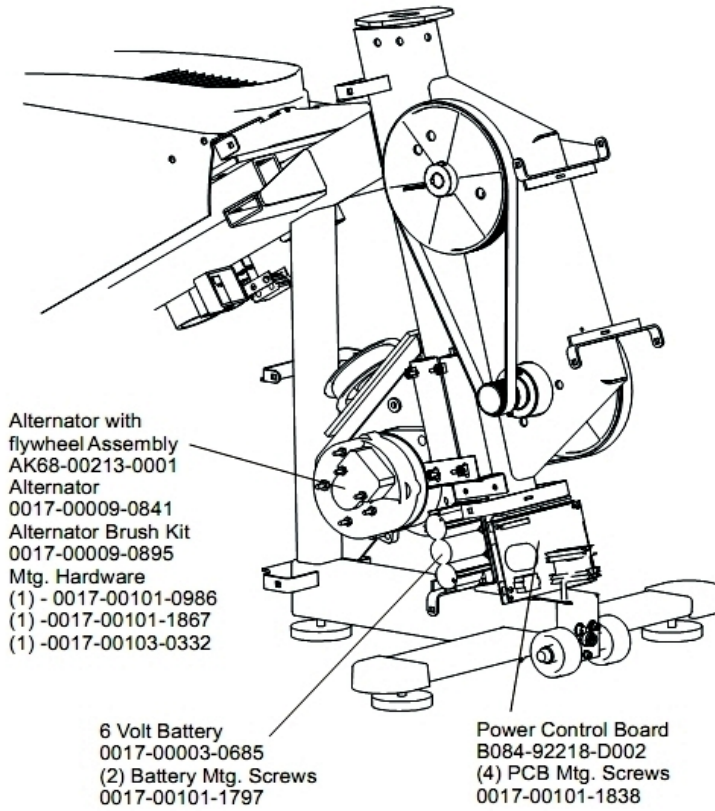
Ref #	Part Number	Qty	Description
-	OK62-01011-0000	1	Left Inside Deadshaft Cover
-	OK62-01008-0001	1	Bullhorn Cover Left
-	0017-00101-1854	1	Hardware: Bullhorn Cover Screw 44MM
-	OK62-01007-0001	1	Bullhorn Cover Right
-	OK62-01012-0000	2	Front Outside Deadshaft Cover
-	OK62-01009-0000	2	Front Inside Deadshaft Cover
-	OK62-01010-0000	1	Right Inside Deadshaft Cover
-	AK62-00123-0000	1	Console Support
-	OK62-01030-0001	1	Console Support Cap
-	OK62-01013-0000	2	Rear Outside Deadshaft Cover
-	0017-00101-1796	6	Hardware: Mounting Screw 19 MM
-	OK62-01022-0202	1	Accessory Tray
-	0017-00101-1846	2	Hardware: Phillips Pan Screw 10 MM
-	0017-00101-1791	6	Hardware: TORX Screw 19 MM
-	OK62-01023-0001	1	Console Support Shroud

## Flexonic Belts and Tensioner Bracket



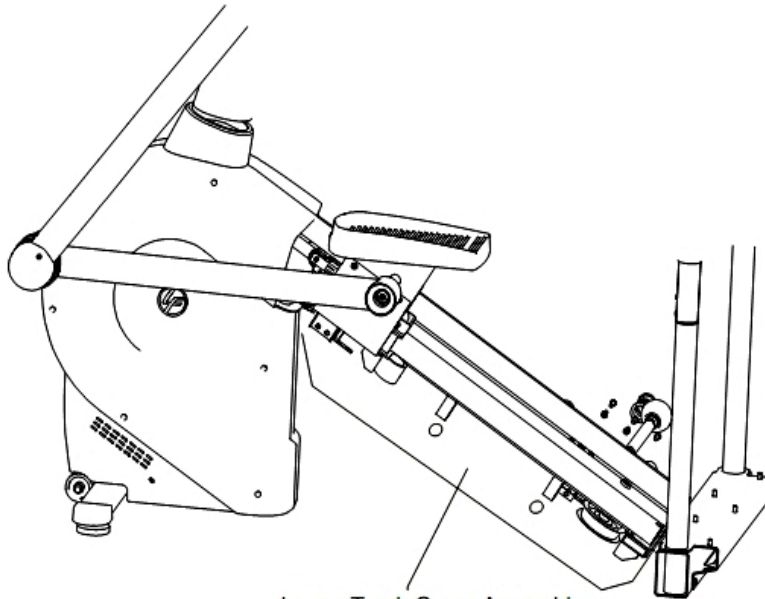
Ref #	Part Number	Qty	Description
-	0017-00103-0333	1	Hardware: Hex Nut
-	0017-00101-1906	3	Hardware: Hex Screw 20 MM
-	0017-00104-0469	3	Hardware: Flat Washer 16MM OD
-	AK68-00130-0000	1	Tensioner Bracket
-	AK68-00159-0000	2	Reed Switch
-	0017-00101-1905	1	Hardware: Bolt 70 MM
-	0K62-01134-0000	2	Flexonic Belt

## Lower PCB, Battery and Alternator



Ref #	Part Number	Qty	Description
-	AK68-00213-0001	1	Alternator w/Flywheel
-	0017-00009-0895	1	Alternator Brush Kit
-	0017-00101-1838	4	Hardware: Mounting Screw 19 MM
-	0017-00101-0986	1	Hardware: Bolt 0.75"
-	0017-00101-1867	1	Hardware: Mounting Bolt 45 MM
-	0017-00101-1797	2	Hardware: Mounting Screw 16 MM
-	0017-00009-0841	1	Alternator
-	0017-00103-0332	1	Hardware: Mounting Nut
-	0017-00003-0685	1	6V Battery

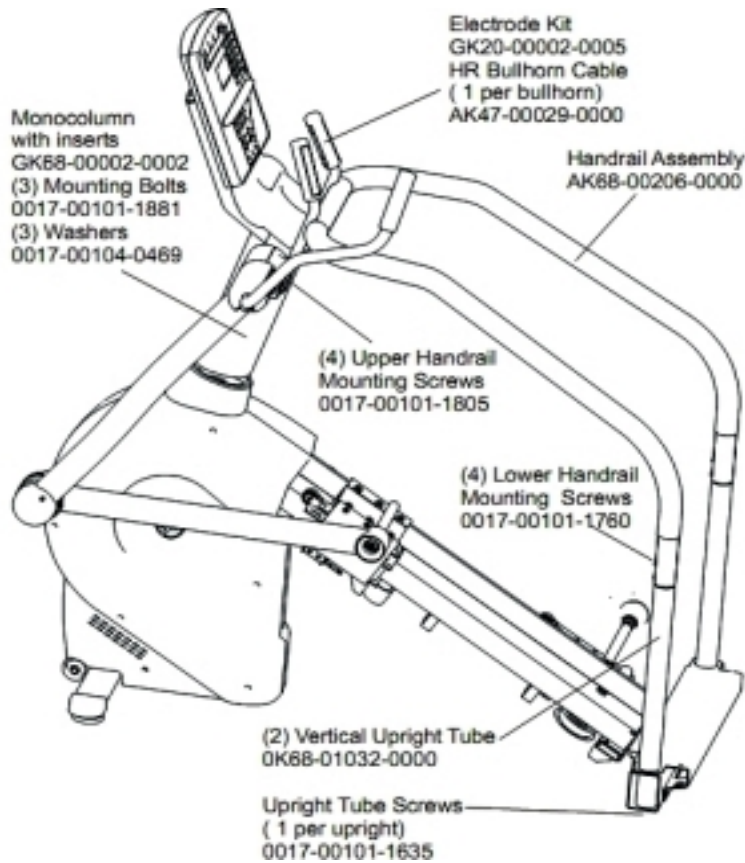
## Lower Track Cover and Hardware



Lower Track Cover Assembly  
 AK68-00220-0000  
 Mounting Screw (3)  
 0017-00101-1906  
 Washer, Nylon (3)  
 0017-00104-0485  
 Flat Washer (3)  
 0017-00104-0479

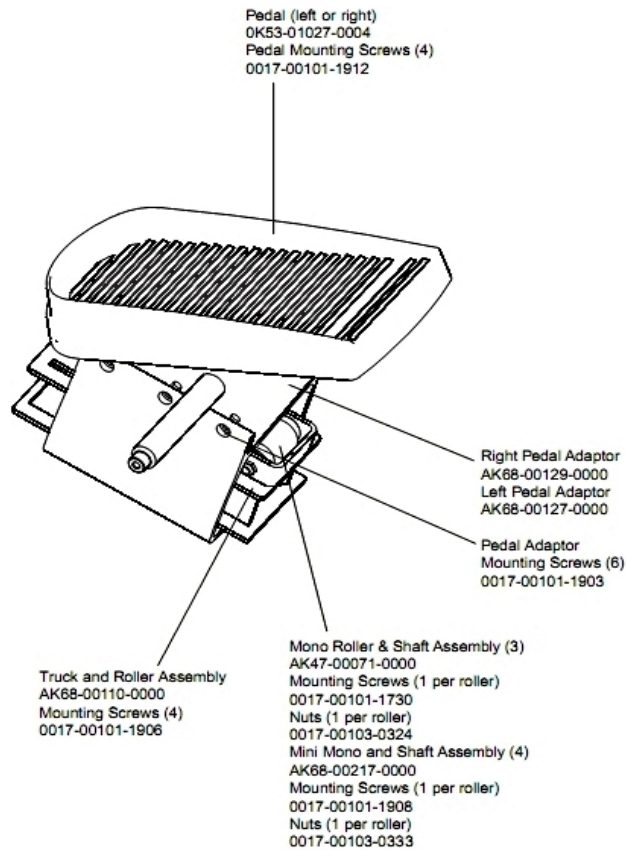
Ref #	Part Number	Qty	Description
-	0017-00104-0485	3	Hardware: Flat Washer
-	AK68-00220-0000	1	Lower Track Cover Assembly
-	0017-00101-1906	3	Hardware: Hex Screw 20 MM
-	0017-00104-0479	3	Hardware: Flat Washer 25.4MM OD

## Monocolumn, Handrail and Vertical Uprights



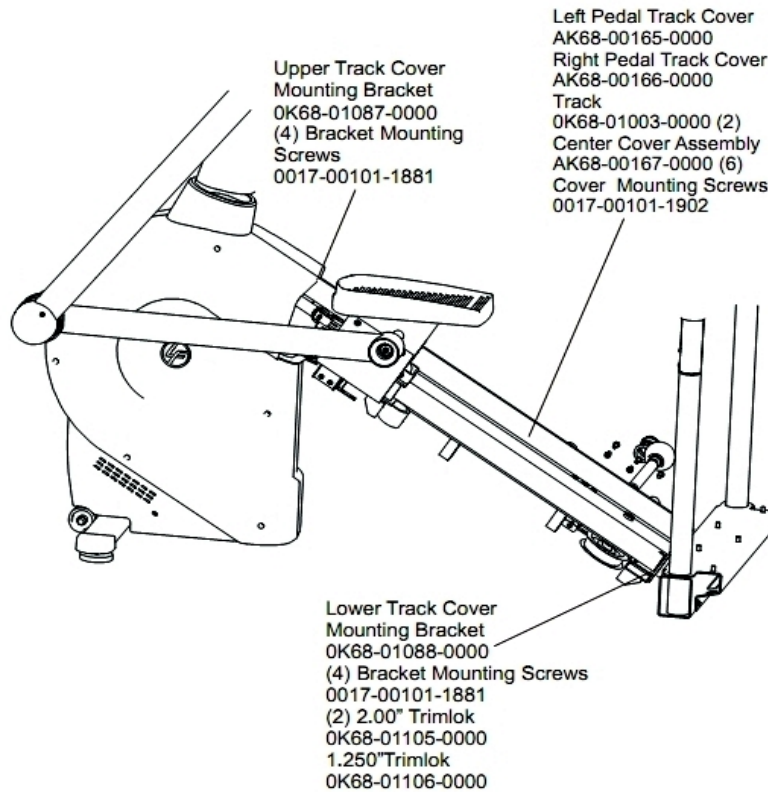
Ref #	Part Number	Qty	Description
-	0017-00101-1805	4	Hardware: TORX Screw 25 MM
-	0017-00104-0469	3	Hardware: Flat Washer 16MM OD
-	AK68-00206-0000	1	Handrail Assembly
-	GK20-00002-0005	1	Heart Rate Electrode Kit
-	0017-00101-1635	2	Hardware: Hex Bolt 1"
-	GK68-00002-0002	1	Mono-column w/Inserts
-	0K68-01032-0000	2	Vertical Upright Tube
-	AK47-00029-0000	2	Lifepulse Cable
-	0017-00101-1881	3	Hardware: Screw 20 MM
-	0017-00101-1760	4	Hardware: TORX Cap Screw 0.625"

# Pedals, Truck and Roller Assembly



Ref #	Part Number	Qty	Description
-	0017-00101-1912	8	Hardware: Hex Bolt 0.5"
-	0017-00101-1908	2	Hardware: Mounting Screw
-	0017-00101-1730	2	Hardware: Mono-roller Hex Bolt 3.5"
-	AK68-00217-0000	8	Mini-mono and Shaft Assembly
-	0017-00101-1903	12	Hardware: Hex Screw 25 MM
-	AK68-00129-0000	1	Pedal Adaptor: Right
-	AK68-00110-0000	2	Truck and Roller Assembly
-	0017-00103-0324	2	Hardware: Thin Lock Nut 3/8" ID
-	AK68-00127-0000	1	Pedal Adaptor: Left
-	0017-00101-1906	8	Hardware: Hex Screw 20 MM
-	AK47-00071-0000	6	Mono Roller and Shaft Assembly
-	0017-00103-0333	2	Hardware: Hex Nut
-	0K53-01027-0004	2	Pedal (left or right)

## Pedal Track Covers and Hardware



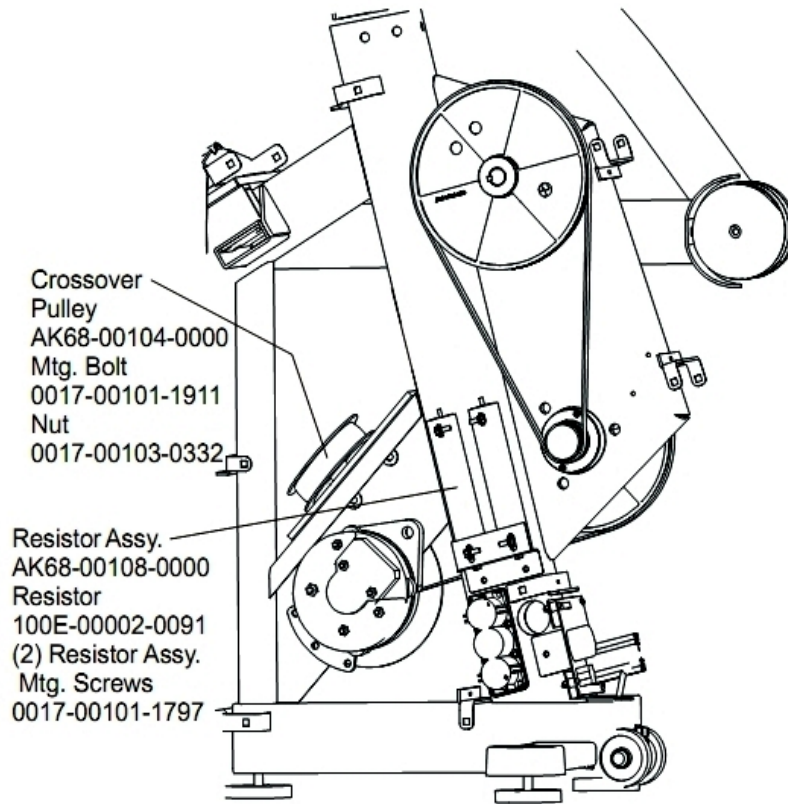
Ref #	Part Number	Qty	Description
-	OK68-01087-0000	1	Upper Mounting Bracket for Pedal Track Covers
-	OK68-01088-0000	1	Lower Mounting Bracket for Pedal Track Covers
-	AK68-00165-0000	1	Pedal Track Cover: Left
-	OK68-01105-0000	2	Grommet: Trim Lok: 1.250
-	0017-00101-1902	1	Hardware: Screw 20 MM
-	AK68-00167-0000	6	Center Cover
-	AK68-00166-0000	1	Pedal Track Cover: Right
-	OK68-01106-0000	1	Grommet: Trim Lok: 2.00
-	OK68-01003-0000	2	Track
-	0017-00101-1881	8	Hardware: Screw 20 MM

## References

---

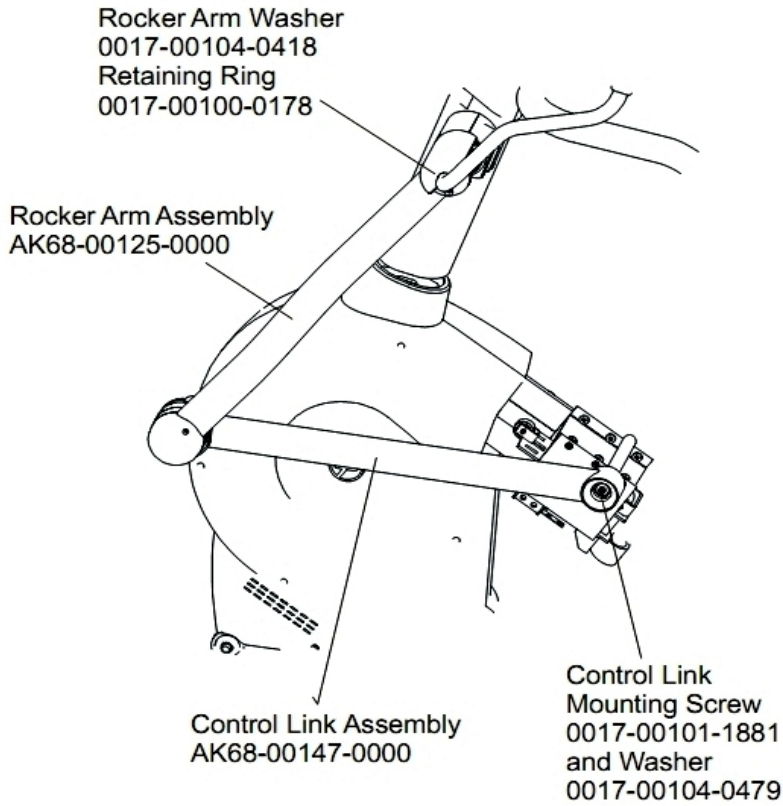
Ref #	Part Number	Qty	Description
-	0017-00021-2846	1	F-Type Panel Connector
-	0017-00008-0205	1	5 oz Bottle - Arctic Silver
-	AK47-00063-0000	1	DC Power Cable
-	0017-00008-0204	1	Paint Spray Can - Arctic Silver
-	0017-00042-0821	4	Hardware: Plastic Grommet
-	AK68-00107-0000	1	Access Panel Assembly
-	AK32-00020-0002	1	Coax Cable: 120"
-	B084-92218-0000	1	PCB Circuit Board
-	0K68-01031-0000	1	Access Panel Bracket
-	0017-00008-0206	1	.33oz Pen - Arctic Silver
-	AK32-00078-0001	1	Power Extension Cable: 120"

## Resistor Assembly and Crossover Pulley



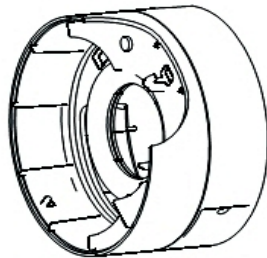
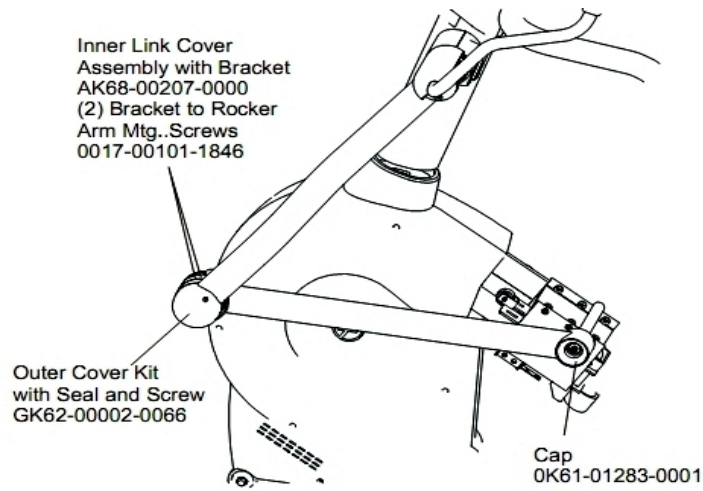
Ref #	Part Number	Qty	Description
-	0017-00103-0332	1	Hardware: Mounting Nut
-	0017-00101-1797	2	Hardware: Mounting Screw 16 MM
-	AK68-00108-0000	1	Resistor Assembly
-	0017-00101-1911	1	Hardware: Hex Bolt 45 MM
-	100E-00002-0091	1	Resistor .75 OHM 240 Watt
-	AK68-00104-0000	1	Crossover Pulley

## Rocker Arms and Control Link

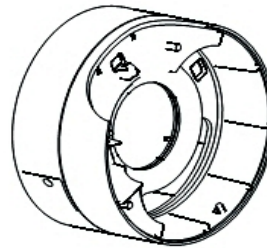


Ref #	Part Number	Qty	Description
-	0017-00100-0178	2	Hardware: Retaining Ring 1.25"
-	0017-00104-0479	2	Hardware: Flat Washer 25.4MM OD
-	AK68-00125-0000	2	Rocker Arm Assembly
-	0017-00101-1881	2	Hardware: Screw 20 MM
-	0017-00104-0418	2	Hardware: Flat Washer 1.75" OD
-	AK68-00147-0000	2	Control Link Assembly

# Rocker Arm/Control Link Covers



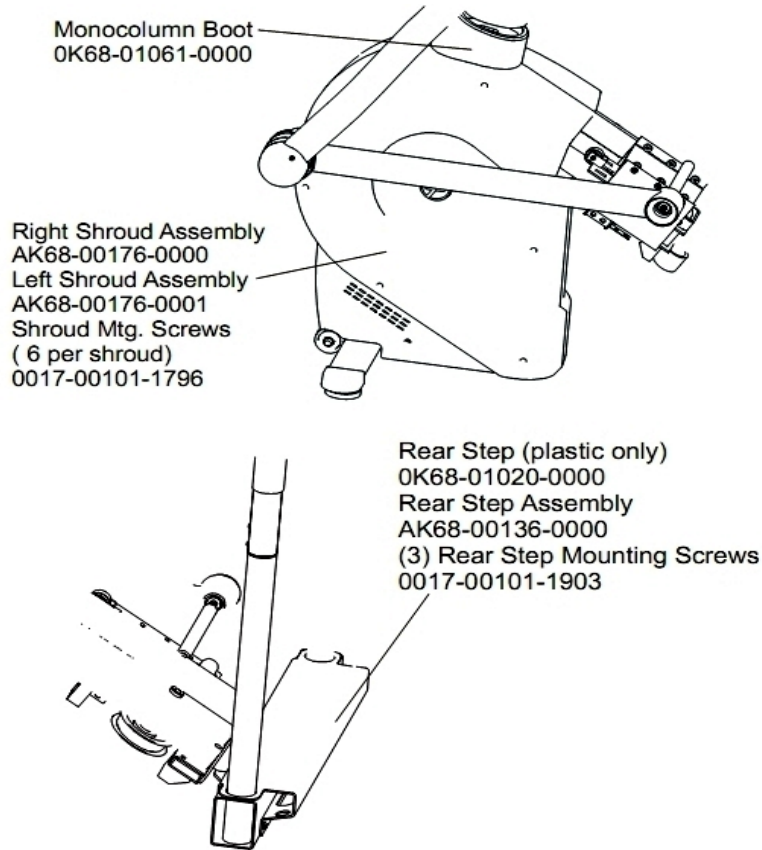
Right Clevis Cover Assy.  
AK68-00154-0001



Left Clevis Cover Assy.  
AK68-00154-0002

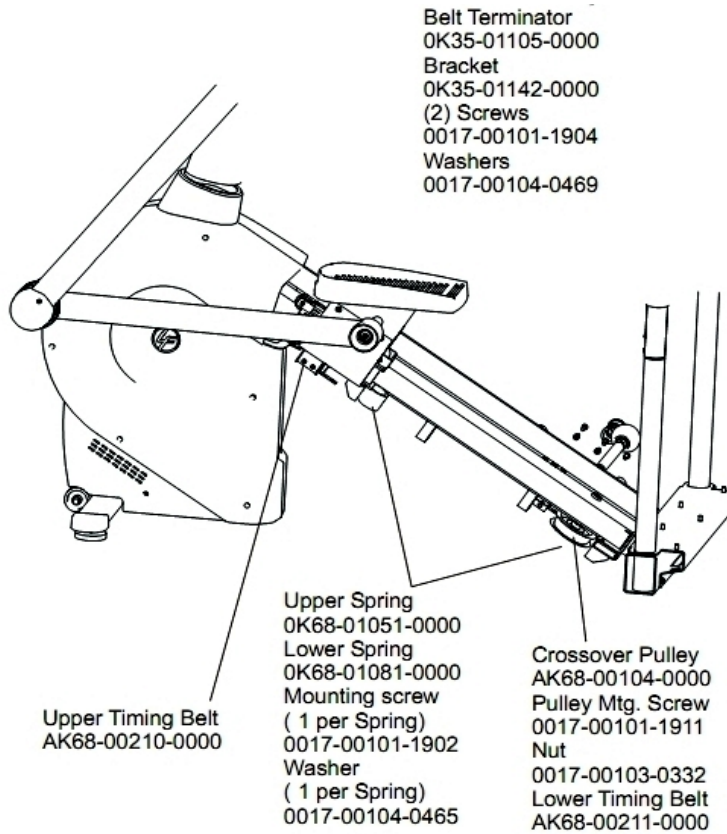
Ref #	Part Number	Qty	Description
-	OK61-01283-0001	2	Cap
-	AK68-00154-0001	2	Right Clevis Cover Assembly
-	GK62-00002-0066	2	Rocker Cover Kit
-	AK68-00154-0002	2	Left Clevis Cover Assembly
-	0017-00101-1846	4	Hardware: Phillips Pan Screw 10 MM
-	AK68-00207-0000	2	Inner Link Cover Assembly with Bracket

## Shrouds, Boot and Rear Step Assembly



Ref #	Part Number	Qty	Description
-	AK68-00136-0000	1	Rear Step Assembly
-	AK68-00176-0000	1	Right Shroud Assembly
-	0017-00101-1796	12	Hardware: Mounting Screw 19 MM
-	AK68-00176-0001	1	Left Shroud Assembly
-	0K68-01061-0000	1	Monocolumn Boot
-	0K68-01020-0000	1	Rear Step (plastic only)
-	0017-00101-1903	3	Hardware: Hex Screw 25 MM

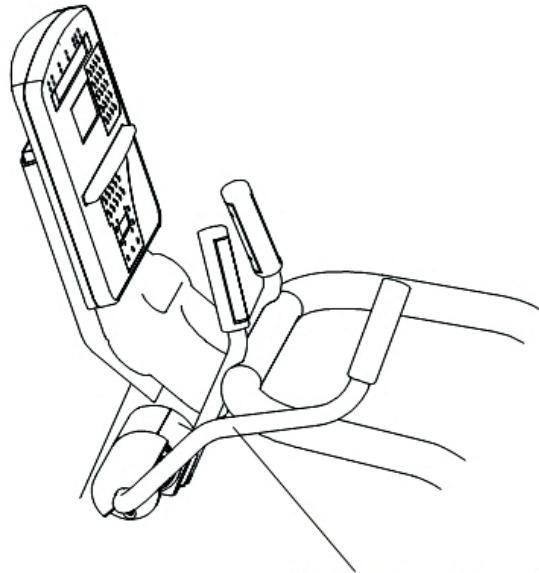
## Timing Belts and Springs



Ref #	Part Number	Qty	Description
-	0017-00104-0469	8	Hardware: Flat Washer 16MM OD
-	AK68-00104-0000	1	Crossover Pulley
-	0K68-01051-0000	1	Upper Spring
-	AK68-00210-0000	1	Timing Belt: Upper
-	0K35-01105-0000	4	Hardware: Belt Terminator
-	AK68-00211-0000	1	Timing Belt: Lower
-	0017-00103-0332	1	Hardware: Mounting Nut
-	0017-00101-2037	8	Hardware: SCR: M8 X 1.25 X 50 HEX
-	0017-00101-1902	2	Hardware: Screw 20 MM
-	0K35-01142-0000	4	Hardware: Bracket
-	0017-00104-0465	2	Hardware: Flat Washer 23MM OD
-	0017-00101-1911	1	Hardware: Hex Bolt 45 MM
-	0K68-01081-0000	1	Lower Spring

## User Arms and Hardware

---



Right User Arm with grip  
AK68-00143-0001  
Left User Arm with grip  
AK68-00143-0002  
Grip  
0K62-01138-0000  
(3) User Arm Mtg. Screws  
0017-00101-1791

Ref #	Part Number	Qty	Description
-	0017-00101-1791	6	Hardware: TORX Screw 19 MM
-	AK68-00143-0001	1	Right User Arm with grip
-	AK68-00143-0002	1	Left User Arm with grip
-	0K62-01138-0000	2	Grip

