

95LI Summit - English/English

95L-0000-02

Parts Manual

1/5/2019 9:41:41 AM

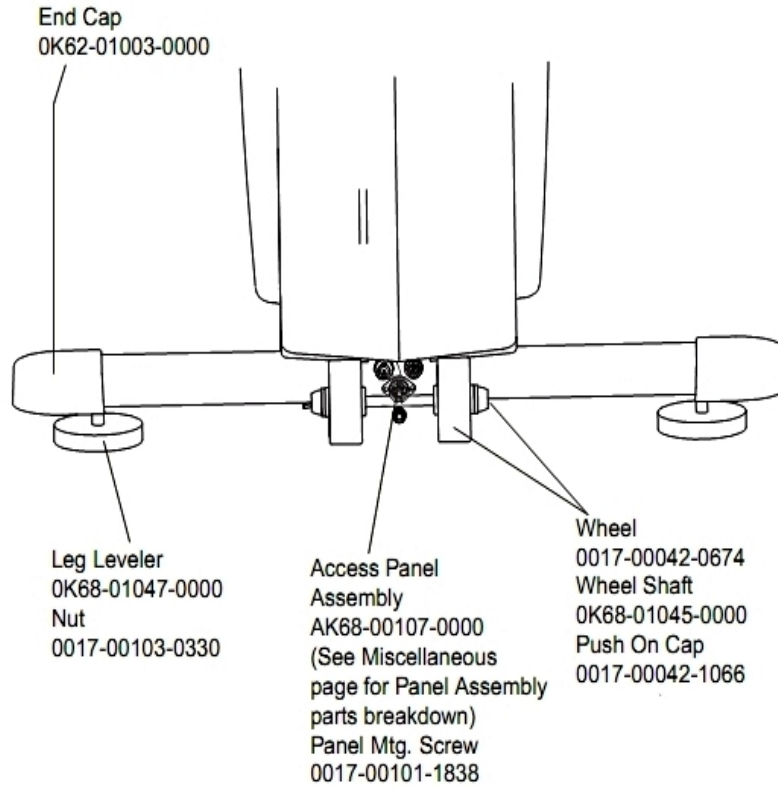


LifeFitness
WHAT WE LIVE FOR

Table of Contents

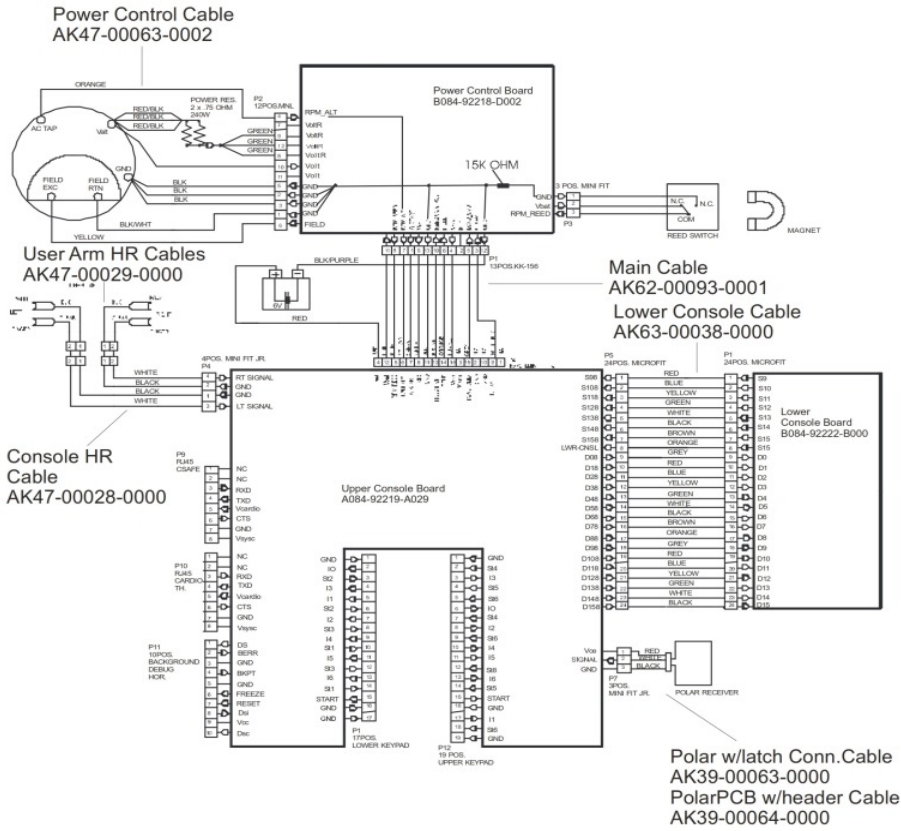
Access Panel, Wheels and Leg Levelers	3
Cables	4
Clutch Pulley and Shaft Assembly	5
Clutch Shaft and Sprockets	6
Console and Related Components	7
Console Support and Deadshaft Covers	8
Flexonic Belts and Tensioner Bracket	9
Lower PCB, Battery and Alternator	10
Lower Track Cover and Hardware	11
Monocolumn, Handrail and Vertical Uprights	12
Pedals, Truck and Roller Assembly	13
Pedal Track Covers and Hardware	14
References	15
Resistor Assembly and Crossover Pulley	16
Rocker Arms and Control Link	17
Rocker Arm/Control Link Covers	18
Shrouds, Boot and Rear Step Assembly	19
Timing Belts and Springs	20
User Arms and Hardware	21

Access Panel, Wheels and Leg Levelers



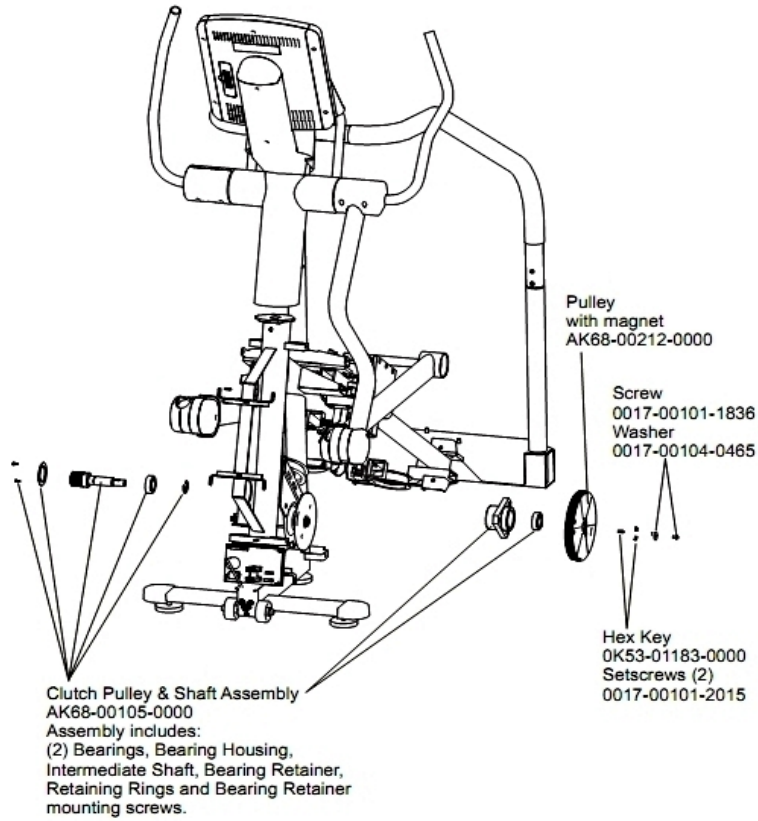
Ref #	Part Number	Qty	Description
-	OK68-01045-0000	2	Wheel Shaft
-	0017-00042-0674	2	Wheel
-	0017-00042-1066	2	Push-on cap
-	OK68-01047-0000	2	Leg Leveler
-	0017-00101-1838	1	Hardware: Mounting Screw 19 MM
-	0017-00103-0330	2	Hardware: Nut 10 MM ID
-	AK68-00107-0000	1	Access Panel Assembly
-	OK68-01130-0300	4	CAP; STABILIZER; STEALTH GREY

Cables



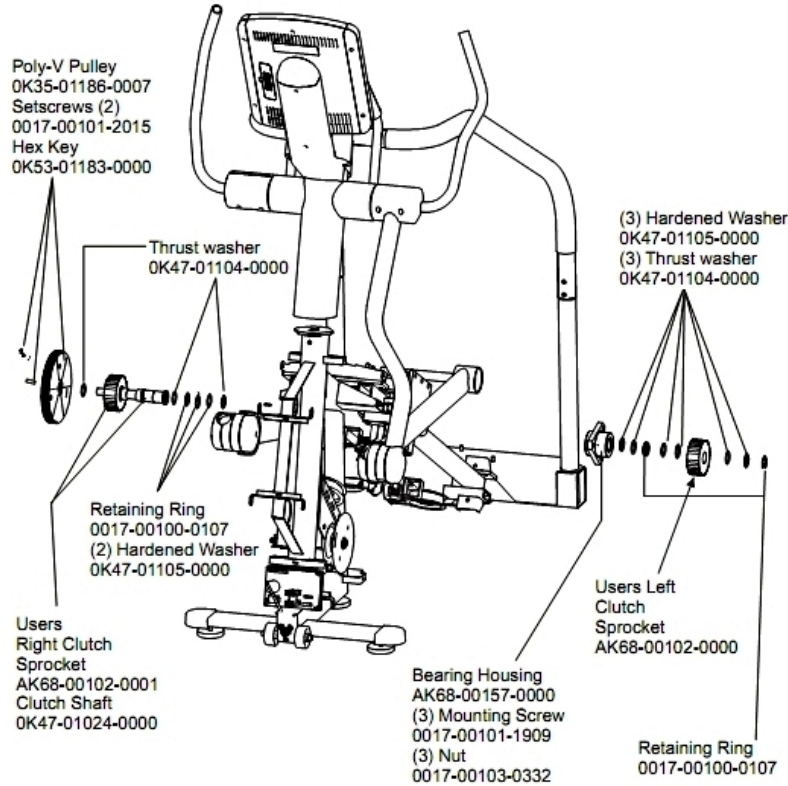
Ref #	Part Number	Qty	Description
-	AK47-00063-0002	1	DC Power Cable
-	AK62-00093-0001	1	Console: Cable Assembly: LED
-	AK47-00028-0000	1	Lifepulse Cable

Clutch Pulley and Shaft Assembly



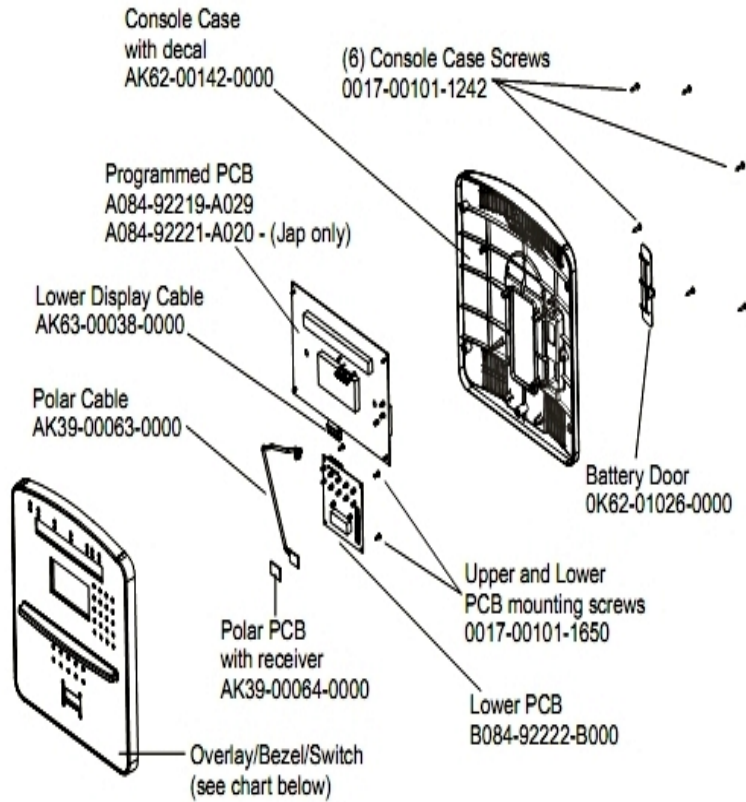
Ref #	Part Number	Qty	Description
-	0017-00101-2015	2	Hardware: Pulley Set Screw 15 MM
-	0K53-01183-0000	1	Hex key
-	AK68-00105-0000	1	Clutch Pulley and Shaft Assembly
-	0017-00104-0465	1	Hardware: Flat Washer 23MM OD
-	AK68-00212-0000	1	Pulley w/Magnet
-	0017-00101-1836	1	Hardware: Screw 10 MM

Clutch Shaft and Sprockets



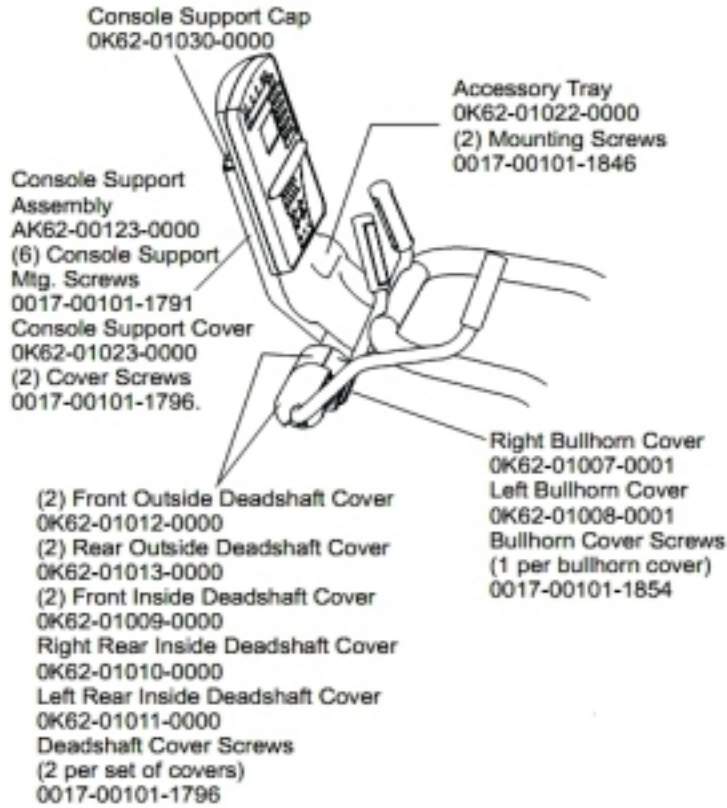
Ref #	Part Number	Qty	Description
-	0K35-01186-0007	1	Poly-V Pulley
-	AK68-00102-0001	1	Users Right Clutch Sprocket
-	0017-00100-0107	2	Hardware: E-Ring 1"
-	0K47-01105-0000	5	Hardware: Hardened Thrust Washer
-	0K47-01104-0000	6	Hardware: Thrust Washer
-	0K53-01183-0000	1	Hex key
-	AK68-00102-0000	1	Clutch Sprocket
-	0K47-01024-0000	1	Clutch Shaft
-	AK68-00157-0000	1	Bearing House
-	0017-00101-1909	3	Hardware: Hex Bolt 35 MM
-	0017-00103-0332	3	Hardware: Mounting Nut
-	0017-00101-2015	2	Hardware: Pulley Set Screw 15 MM

Console and Related Components



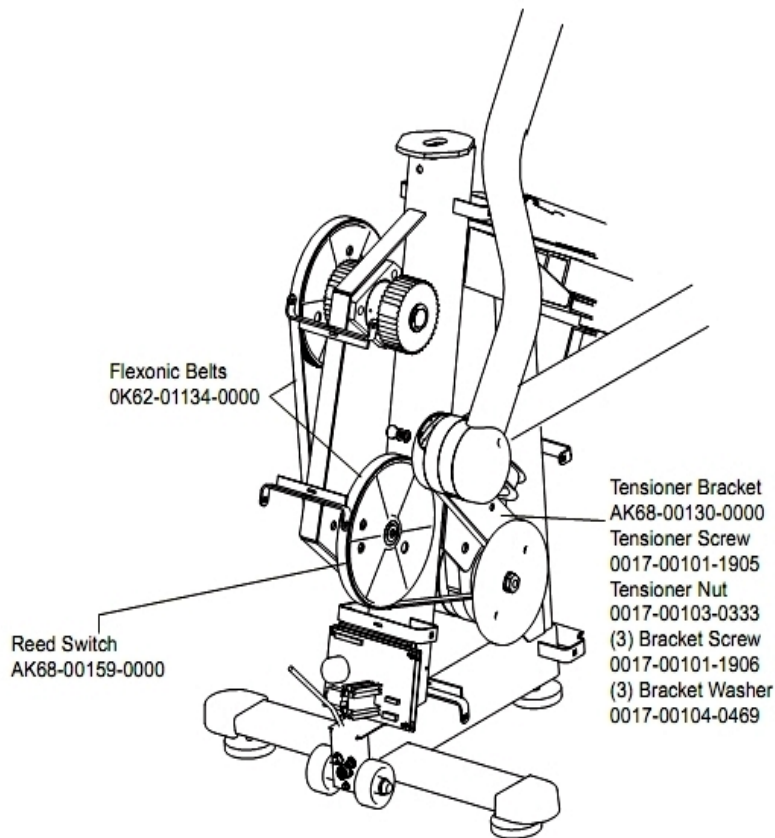
Ref #	Part Number	Qty	Description
-	AK39-00063-0000	1	Polar Cable
-	B084-92222-B000	1	Console Board - Lower
-	0K62-01026-0000	1	Battery Door
-	A084-92219-A029	1	PCB Assembly
-	AK62-00142-0000	1	Console Case with Decal
-	0017-00101-1650	1	Hardware: Phillips Pan Screw 0.375"
-	118E-00001-0259	1	Wireless Receiver Module, Non-Coded
-	AK68-00183-0001	1	Console English/LED
-	0017-00101-1242	6	Hardware: Phillips Pan Screw 0.75"
-	AK68-00184-0001	1	Overlay/Bezel/Switch English/LED
-	AK63-00038-0000	1	Lower Console Cable

Console Support and Deadshaft Covers



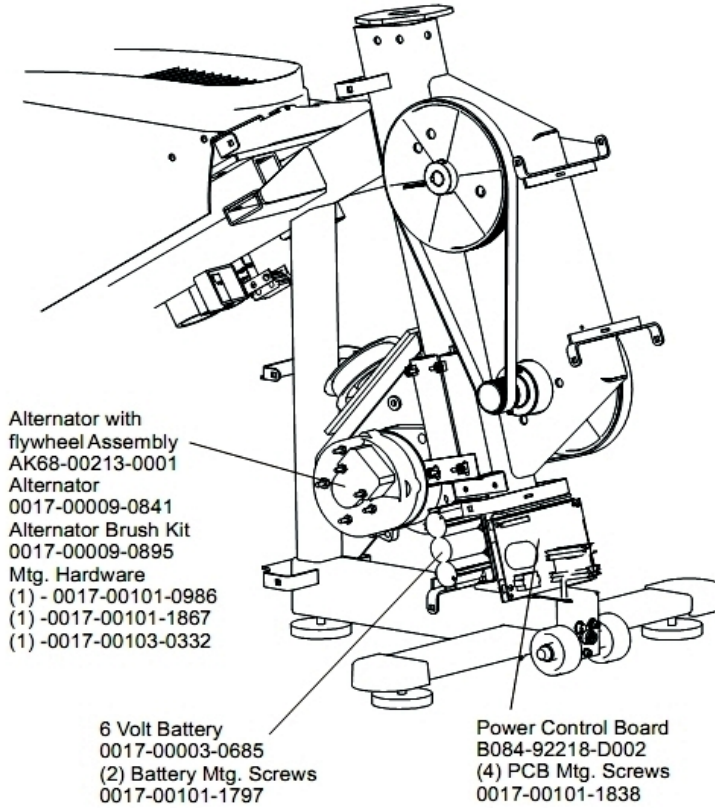
Ref #	Part Number	Qty	Description
-	0K62-01023-0001	1	Console Support Shroud
-	0K62-01011-0000	1	Left Inside Deadshaft Cover
-	0K62-01008-0001	1	Bullhorn Cover Left
-	0017-00101-1854	1	Hardware: Bullhorn Cover Screw 44MM
-	0K62-01007-0001	1	Bullhorn Cover Right
-	0K62-01012-0000	2	Front Outside Deadshaft Cover
-	0K62-01009-0000	2	Front Inside Deadshaft Cover
-	0K62-01022-0202	1	Accessory Tray
-	0K62-01010-0000	1	Right Inside Deadshaft Cover
-	0017-00101-1846	2	Hardware: Phillips Pan Screw 10 MM
-	0017-00101-1791	6	Hardware: TORX Screw 19 MM
-	AK62-00123-0000	1	Console Support
-	0K62-01030-0001	1	Console Support Cap
-	0K62-01013-0000	2	Rear Outside Deadshaft Cover
-	0017-00101-1796	6	Hardware: Mounting Screw 19 MM

Flexonic Belts and Tensioner Bracket



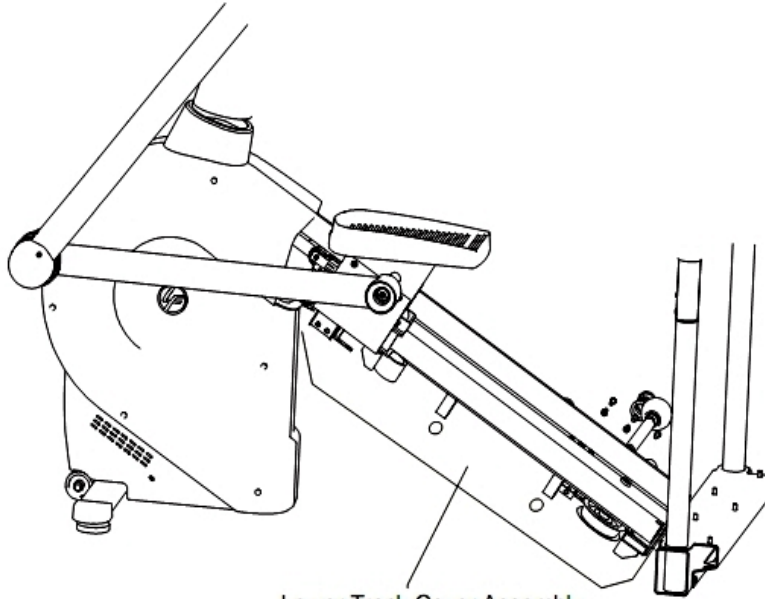
Ref #	Part Number	Qty	Description
-	0017-00101-1906	3	Hardware: Hex Screw 20 MM
-	0017-00104-0469	3	Hardware: Flat Washer 16MM OD
-	0K62-01134-0000	1	Flexonic Belt
-	AK68-00130-0000	1	Tensioner Bracket
-	0017-00103-0333	1	Hardware: Hex Nut
-	0017-00101-1905	1	Hardware: Bolt 70 MM
-	AK68-00159-0000	2	Reed Switch

Lower PCB, Battery and Alternator



Ref #	Part Number	Qty	Description
-	0017-00009-0895	1	Alternator Brush Kit
-	0017-00009-0841	1	Alternator
-	0017-00101-1867	1	Hardware: Mounting Bolt 45 MM
-	0017-00101-0986	1	Hardware: Bolt 0.75"
-	0017-00101-1838	4	Hardware: Mounting Screw 19 MM
-	0017-00101-1797	2	Hardware: Mounting Screw 16 MM
-	0017-00103-0332	1	Hardware: Mounting Nut
-	AK68-00213-0001	1	Alternator w/Flywheel
-	0017-00003-0685	1	6V Battery

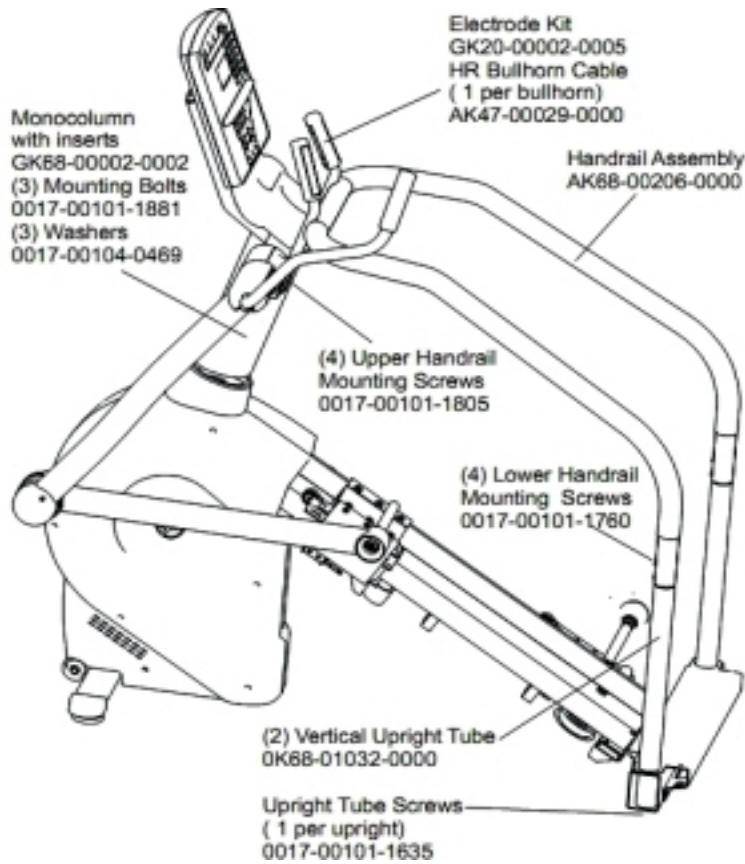
Lower Track Cover and Hardware



Lower Track Cover Assembly
AK68-00220-0000
Mounting Screw (3)
0017-00101-1906
Washer, Nylon (3)
0017-00104-0485
Flat Washer (3)
0017-00104-0479

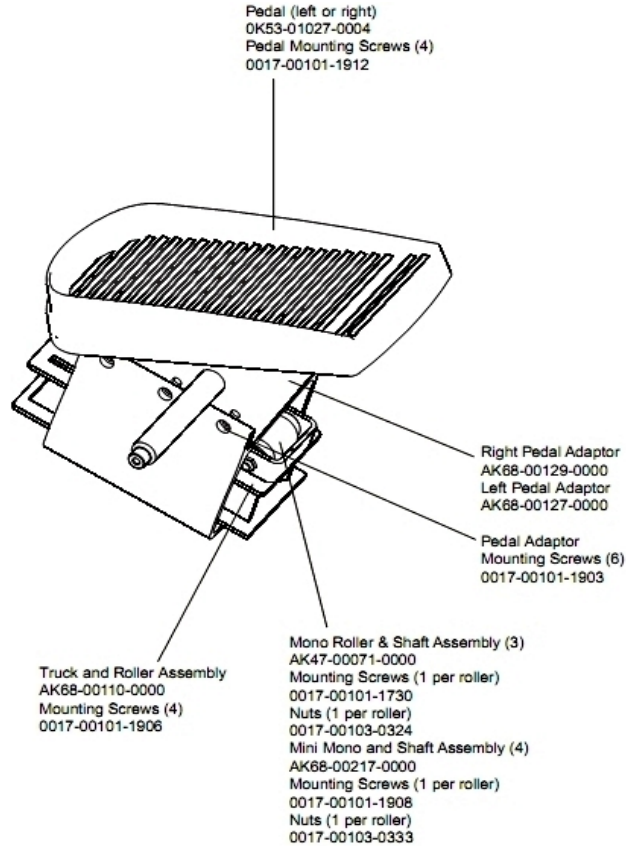
Ref #	Part Number	Qty	Description
-	AK68-00220-0000	1	Lower Track Cover Assembly
-	0017-00104-0485	3	Hardware: Flat Washer
-	0017-00101-1906	3	Hardware: Hex Screw 20 MM
-	0017-00104-0479	3	Hardware: Flat Washer 25.4MM OD

Monocolumn, Handrail and Vertical Uprights



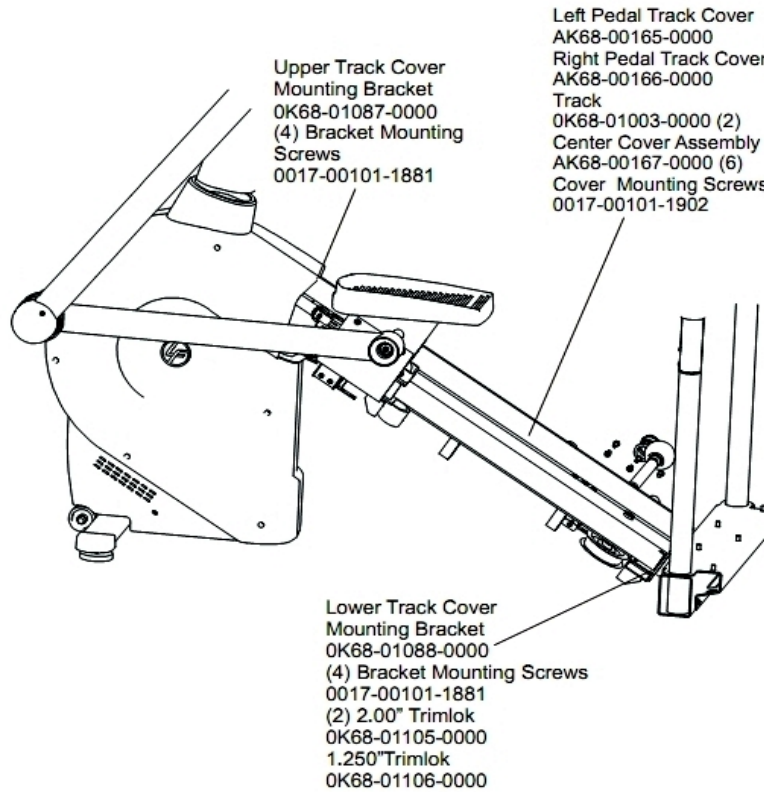
Ref #	Part Number	Qty	Description
-	0017-00104-0469	3	Hardware: Flat Washer 16MM OD
-	0017-00101-1805	4	Hardware: TORX Screw 25 MM
-	AK68-00206-0000	1	Handrail Assembly
-	GK20-00002-0005	1	Heart Rate Electrode Kit
-	0017-00101-1881	3	Hardware: Screw 20 MM
-	GK68-00002-0002	1	Mono-column w/Inserts
-	OK68-01032-0000	2	Vertical Upright Tube
-	AK47-00029-0000	2	Lifepulse Cable
-	0017-00101-1635	2	Hardware: Hex Bolt 1"
-	0017-00101-1760	4	Hardware: TORX Cap Screw 0.625"

Pedals, Truck and Roller Assembly



Ref #	Part Number	Qty	Description
-	0017-00101-1908	2	Hardware: Mounting Screw
-	AK47-00071-0000	6	Mono Roller and Shaft Assembly
-	0017-00101-1730	2	Hardware: Mono-roller Hex Bolt 3.5"
-	AK68-00217-0000	8	Mini-mono and Shaft Assembly
-	0017-00101-1903	12	Hardware: Hex Screw 25 MM
-	AK68-00129-0000	1	Pedal Adaptor: Right
-	AK68-00110-0000	2	Truck and Roller Assembly
-	0017-00103-0324	2	Hardware: Thin Lock Nut 3/8" ID
-	0K53-01027-0004	2	Pedal (left or right)
-	0017-00103-0333	2	Hardware: Hex Nut
-	AK68-00127-0000	1	Pedal Adaptor: Left
-	0017-00101-1912	8	Hardware: Hex Bolt 0.5"
-	0017-00101-1906	8	Hardware: Hex Screw 20 MM

Pedal Track Covers and Hardware

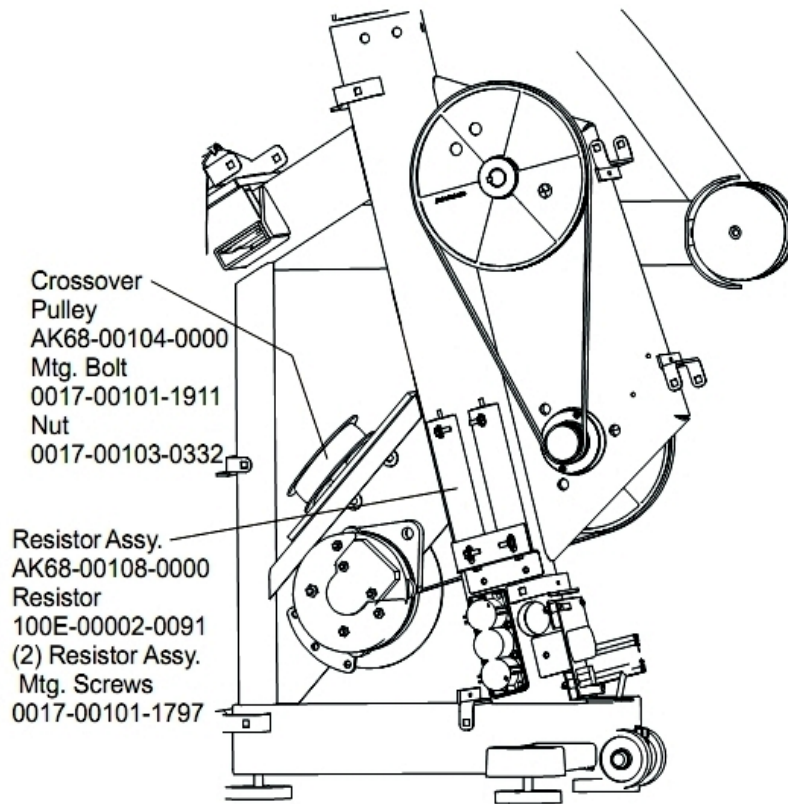


Ref #	Part Number	Qty	Description
-	OK68-01105-0000	2	Grommet: Trim Lok: 1.250
-	0017-00101-1881	8	Hardware: Screw 20 MM
-	OK68-01106-0000	1	Grommet: Trim Lok: 2.00
-	AK68-00167-0000	6	Center Cover
-	AK68-00165-0000	1	Pedal Track Cover: Left
-	AK68-00166-0000	1	Pedal Track Cover: Right
-	OK68-01003-0000	2	Track
-	0017-00101-1902	1	Hardware: Screw 20 MM
-	OK68-01087-0000	1	Upper Mounting Bracket for Pedal Track Covers
-	OK68-01088-0000	1	Lower Mounting Bracket for Pedal Track Covers

References

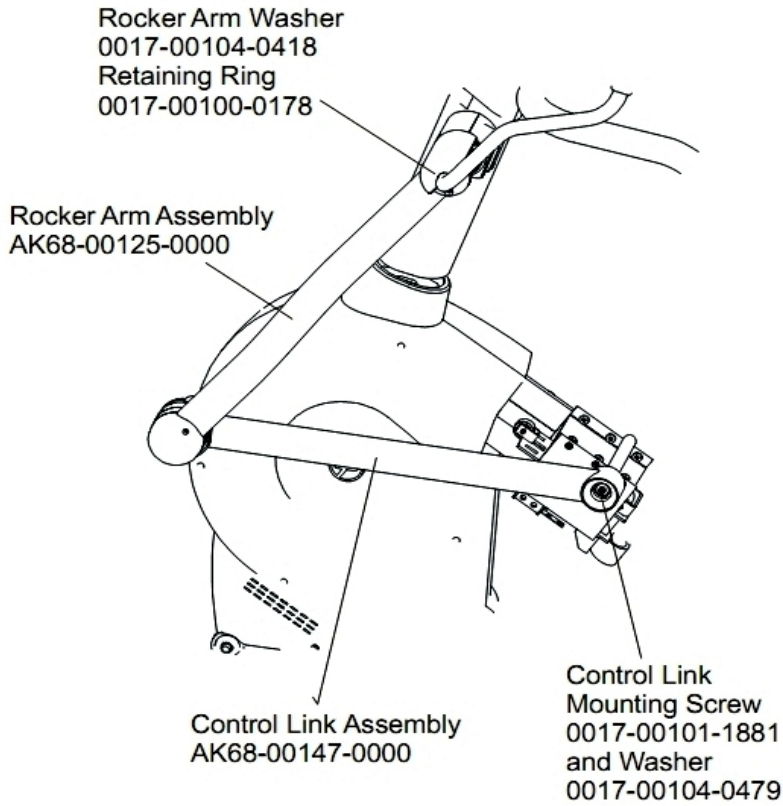
Ref #	Part Number	Qty	Description
-	AK47-00063-0000	1	DC Power Cable
-	0017-00021-2846	1	F-Type Panel Connector
-	0017-00008-0205	1	5 oz Bottle - Arctic Silver
-	0017-00008-0204	1	Paint Spray Can - Arctic Silver
-	0017-00042-0821	4	Hardware: Plastic Grommet
-	AK32-00078-0001	1	Power Extension Cable: 120"
-	AK32-00020-0002	1	Coax Cable: 120"
-	B084-92218-0000	1	PCB Circuit Board
-	0K68-01031-0000	1	Access Panel Bracket
-	0017-00008-0206	1	.33oz Pen - Arctic Silver
-	AK68-00107-0000	1	Access Panel Assembly

Resistor Assembly and Crossover Pulley



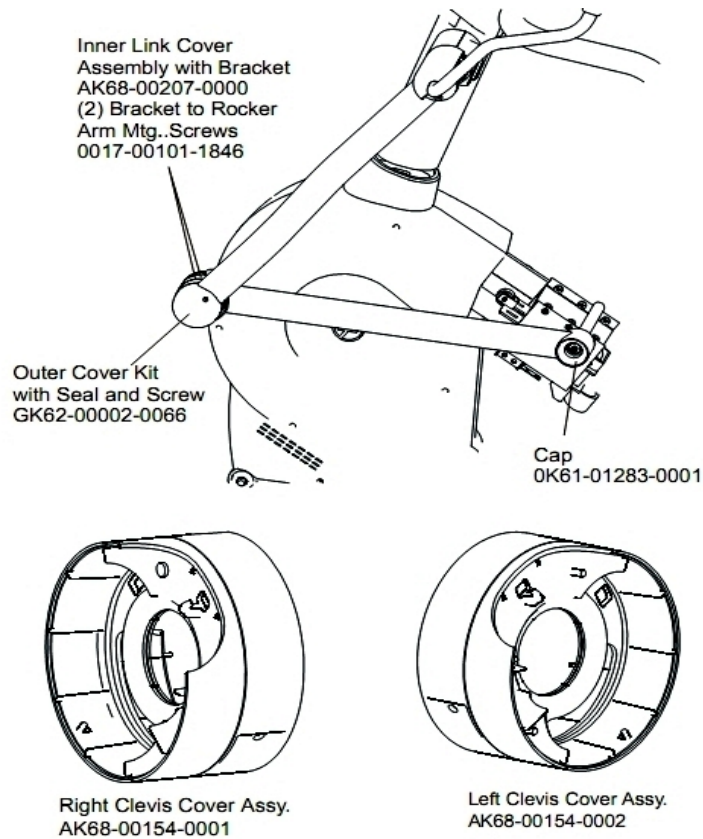
Ref #	Part Number	Qty	Description
-	100E-00002-0091	1	Resistor .75 OHM 240 Watt
-	0017-00103-0332	1	Hardware: Mounting Nut
-	AK68-00108-0000	1	Resistor Assembly
-	0017-00101-1797	2	Hardware: Mounting Screw 16 MM
-	0017-00101-1911	1	Hardware: Hex Bolt 45 MM
-	AK68-00104-0000	1	Crossover Pulley

Rocker Arms and Control Link



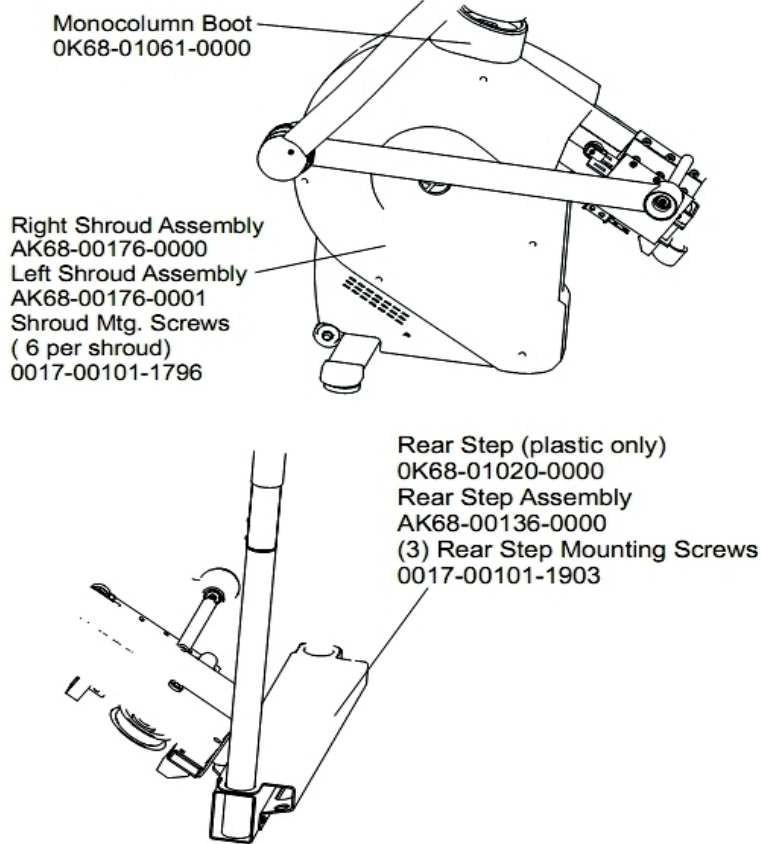
Ref #	Part Number	Qty	Description
-	0017-00104-0479	2	Hardware: Flat Washer 25.4MM OD
-	AK68-00147-0000	2	Control Link Assembly
-	0017-00104-0418	2	Hardware: Flat Washer 1.75" OD
-	0017-00101-1881	2	Hardware: Screw 20 MM
-	AK68-00125-0000	2	Rocker Arm Assembly
-	0017-00100-0178	2	Hardware: Retaining Ring 1.25"

Rocker Arm/Control Link Covers



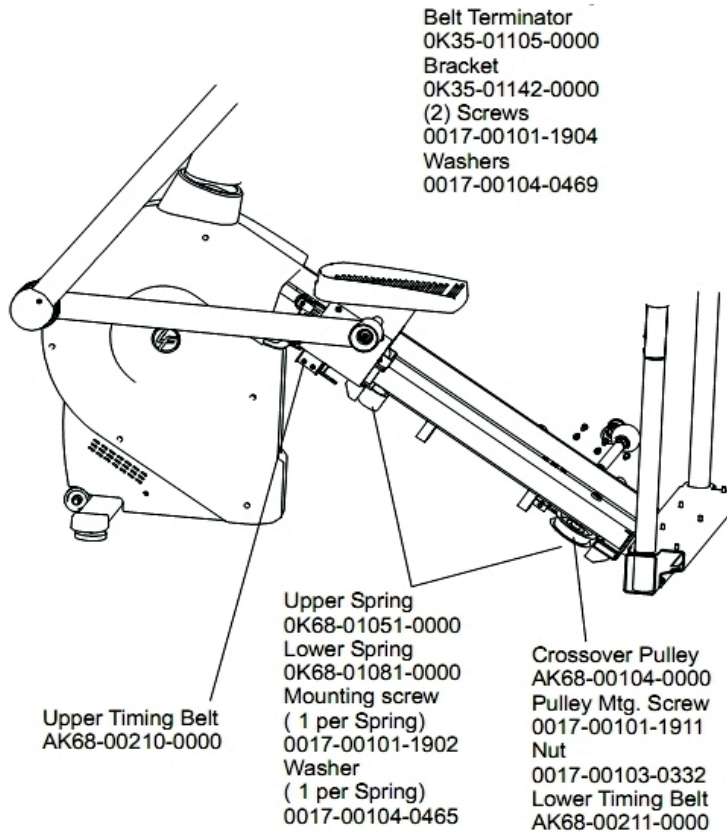
Ref #	Part Number	Qty	Description
-	AK68-00154-0002	2	Left Clevis Cover Assembly
-	0K61-01283-0001	2	Cap
-	0017-00101-1846	4	Hardware: Phillips Pan Screw 10 MM
-	AK68-00207-0000	2	Inner Link Cover Assembly with Bracket
-	GK62-00002-0066	2	Rocker Cover Kit
-	AK68-00154-0001	2	Right Clevis Cover Assembly

Shrouds, Boot and Rear Step Assembly



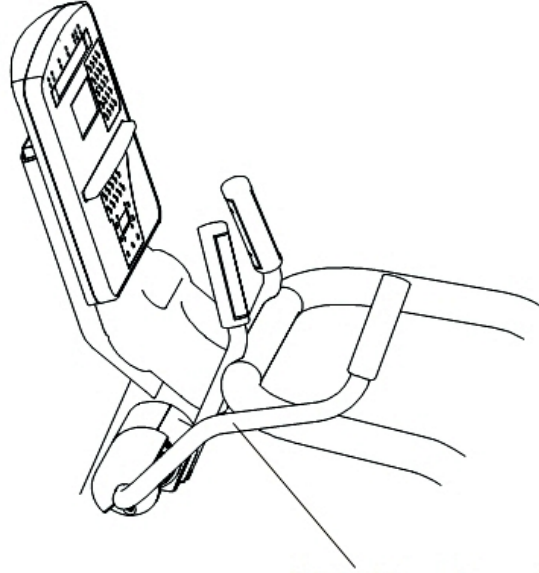
Ref #	Part Number	Qty	Description
-	0017-00101-1903	3	Hardware: Hex Screw 25 MM
-	0K68-01020-0000	1	Rear Step (plastic only)
-	AK68-00176-0000	1	Right Shroud Assembly
-	AK68-00176-0001	1	Left Shroud Assembly
-	AK68-00136-0000	1	Rear Step Assembly
-	0K68-01061-0000	1	Monocolumn Boot
-	0017-00101-1796	12	Hardware: Mounting Screw 19 MM

Timing Belts and Springs



Ref #	Part Number	Qty	Description
-	0K35-01142-0000	4	Hardware: Bracket
-	AK68-00104-0000	1	Crossover Pulley
-	0017-00101-1902	2	Hardware: Screw 20 MM
-	0K68-01081-0000	1	Lower Spring
-	AK68-00211-0000	1	Timing Belt: Lower
-	0K68-01051-0000	1	Upper Spring
-	0017-00103-0332	1	Hardware: Mounting Nut
-	0017-00104-0469	8	Hardware: Flat Washer 16MM OD
-	0017-00101-1911	1	Hardware: Hex Bolt 45 MM
-	0017-00104-0465	2	Hardware: Flat Washer 23MM OD
-	AK68-00210-0000	1	Timing Belt: Upper
-	0K35-01105-0000	4	Hardware: Belt Terminator
-	0017-00101-2037	8	Hardware: SCR: M8 X 1.25 X 50 HEX

User Arms and Hardware



Right User Arm with grip
AK68-00143-0001
Left User Arm with grip
AK68-00143-0002
Grip
OK62-01138-0000
(3) User Arm Mtg. Screws
0017-00101-1791

Ref #	Part Number	Qty	Description
-	AK68-00143-0002	1	Left User Arm with grip
-	OK62-01138-0000	2	Grip
-	AK68-00143-0001	1	Right User Arm with grip
-	0017-00101-1791	6	Hardware: TORX Screw 19 MM

