

95Le Summit w/Integrated LCD - Heart Rate

95LE-0000-01

Parts Manual

1/5/2019 9:48:48 AM

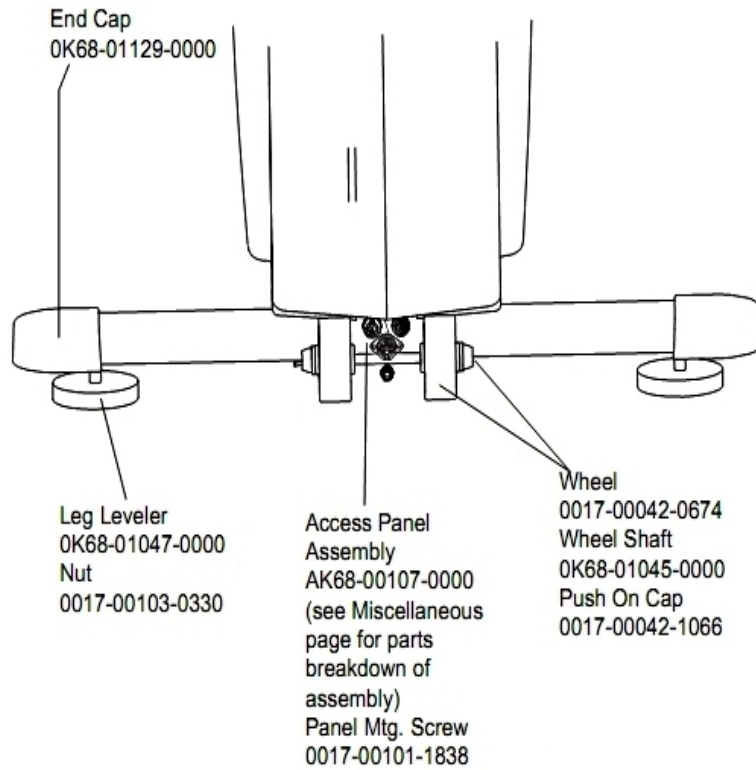


LifeFitness
WHAT WE LIVE FOR

Table of Contents

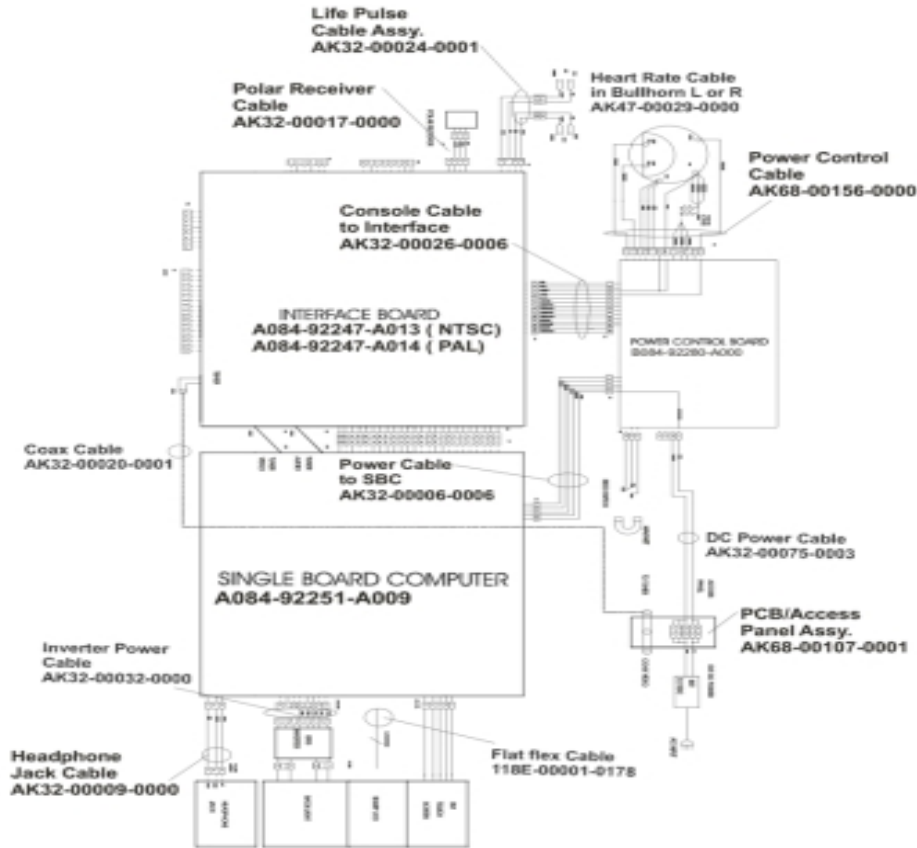
Access Panel, Wheels and Leg Levelers	3
Cables	4
Clutch Pulley and Shaft Assembly	5
Clutch Shaft and Sprockets	6
Complete Console Assembly	7
Console Components	8
Console Support and Deadshaft Covers	9
Flexonic Belts	10
Handrail and Vertical Uprights	11
Lower PCB, Battery and Alternator	12
Lower Track Cover and Hardware	13
Miscellaneous	14
Pedals, Truck and Roller Assembly	15
Pedal Track Covers and Hardware	16
Resistor Assembly and Pulleys	17
RockerArm/Control Link Covers	18
Rocker Arms and Control Link	19
Shrouds, Boot and Rear Step Assembly	20
Timing Belts and Springs	21
User Arms and Hardware	22

Access Panel, Wheels and Leg Levelers



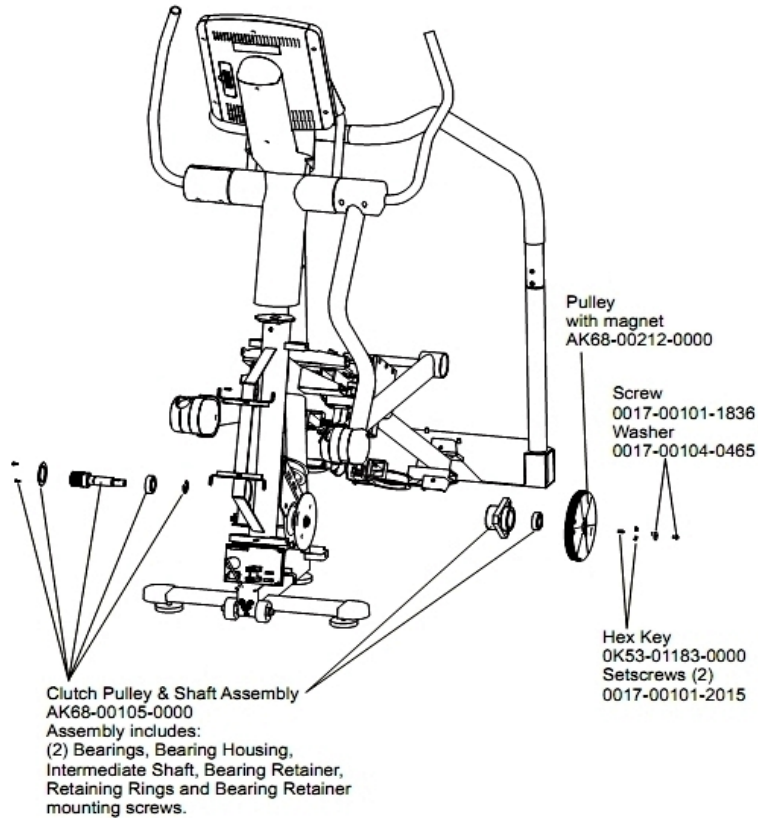
Ref #	Part Number	Qty	Description
-	OK68-01130-0200	2	CAP; STABILIZER; SHADOW GREY
-	OK68-01045-0000	2	Wheel Shaft
-	0017-00042-0674	2	Wheel
-	AK68-00107-0001	1	Access Panel Assembly
-	0017-00101-1838	5	Hardware: Mounting Screw 19 MM
-	0017-00042-1066	2	Push-on cap
-	B084-92280-A000	1	Power Control Board
-	0017-00103-0330	2	Hardware: Nut 10 MM ID
-	OK68-01047-0000	2	Leg Leveler

Cables



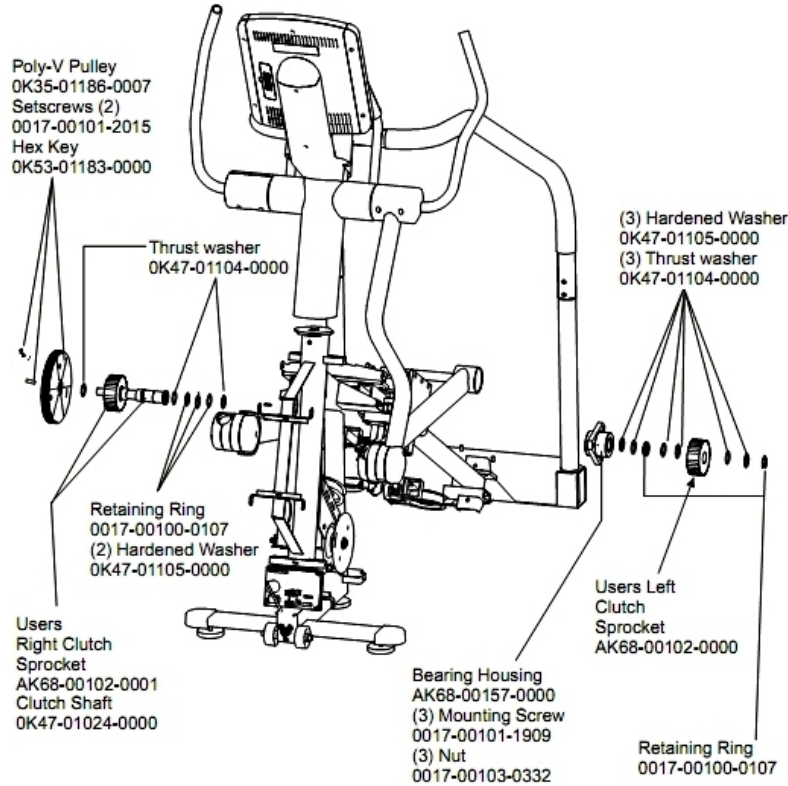
Ref #	Part Number	Qty	Description
-	AK32-00020-0001	1	Coax Cable: 90"
-	AK32-00006-0006	1	Power Cable to SBC
-	A084-92251-A009	1	Single Board Computer
-	118E-00001-0178	1	Flat Flex Cable
-	AK32-00017-0000	1	Polar Cable
-	AK47-00029-0000	1	Lifepulse Cable
-	AK32-00026-0006	1	Console Cable to Interface
-	AK32-00009-0000	1	Headphone Jack Cable
-	AK68-00156-0000	1	Resistor Cable Assembly
-	B084-92280-A000	1	Power Control Board
-	A084-92247-A013	1	Interface Boards NTSC
-	AK68-00107-0001	1	Access Panel Assembly
-	AK32-00024-0001	1	Heart Rate Extension Cable
-	AK32-00032-0000	1	Inverter Cable
-	AK32-00075-0003	1	20" Power Cable

Clutch Pulley and Shaft Assembly



Ref #	Part Number	Qty	Description
-	0017-00104-0465	1	Hardware: Flat Washer 23MM OD
-	AK68-00105-0000	1	Clutch Pulley and Shaft Assembly
-	AK68-00212-0000	1	Pulley w/Magnet
-	0017-00101-1836	1	Hardware: Screw 10 MM
-	0017-00101-2015	2	Hardware: Pulley Set Screw 15 MM
-	0K53-01183-0000	1	Hex key

Clutch Shaft and Sprockets

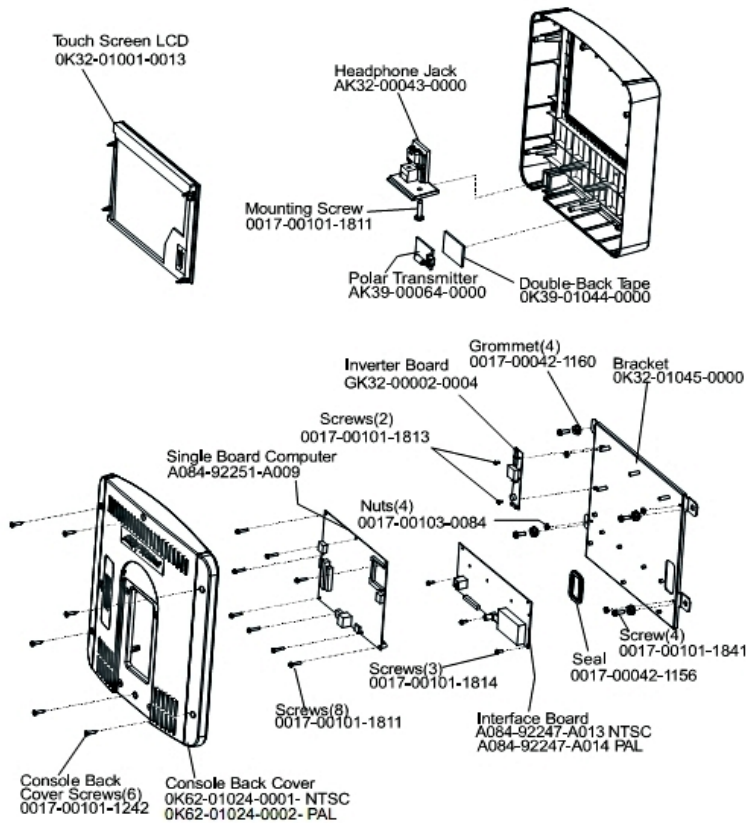


Ref #	Part Number	Qty	Description
-	0017-00100-0107	2	Hardware: E-Ring 1"
-	OK47-01104-0000	6	Hardware: Thrust Washer
-	OK53-01183-0000	1	Hex key
-	0017-00101-1909	3	Hardware: Hex Bolt 35 MM
-	0017-00101-2015	2	Hardware: Pulley Set Screw 15 MM
-	OK47-01024-0000	1	Clutch Shaft
-	AK68-00157-0000	1	Bearing House
-	AK68-00102-0000	1	Clutch Sprocket
-	AK68-00102-0001	1	Users Right Clutch Sprocket
-	0017-00103-0332	3	Hardware: Mounting Nut
-	OK47-01105-0000	5	Hardware: Hardened Thrust Washer
-	OK35-01186-0007	1	Poly-V Pulley

Complete Console Assembly

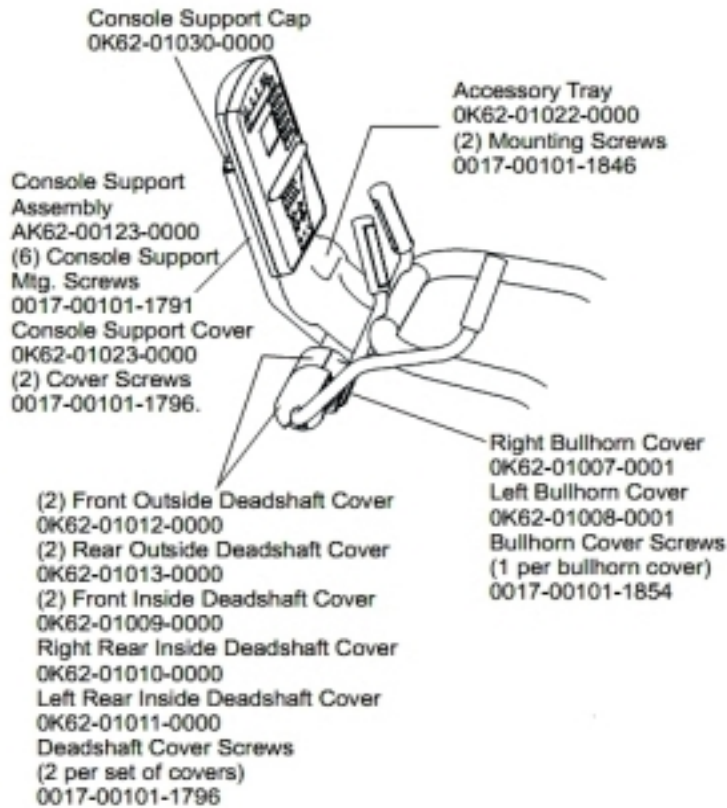
Ref #	Part Number	Qty	Description
-	AK68-00195-0001	1	Console Assembly

Console Components



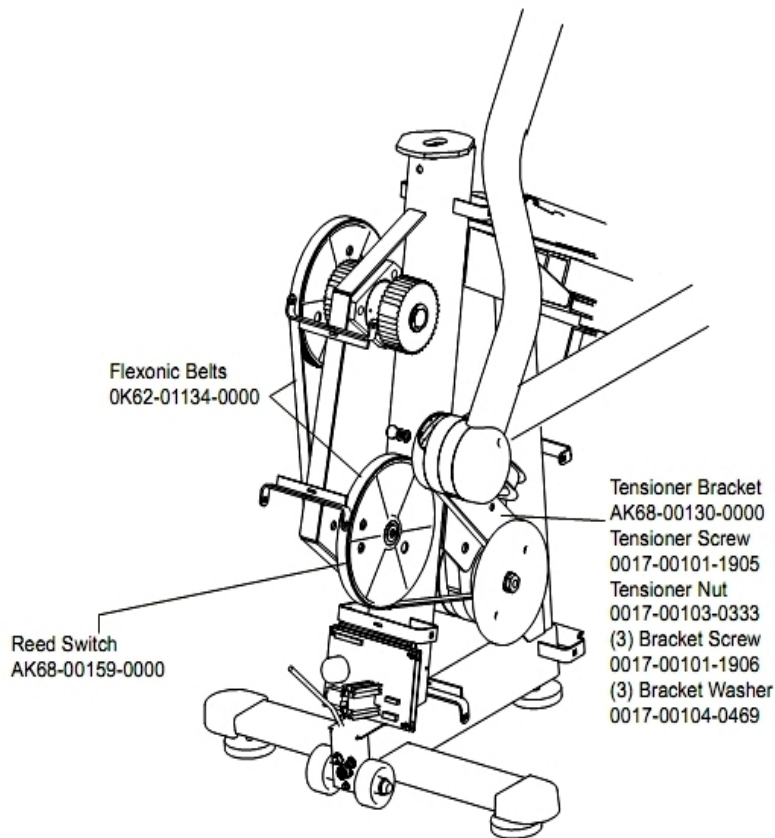
Ref #	Part Number	Qty	Description
-	GK32-00002-0004	1	Inverter Board
-	0017-00042-1160	4	Grommet
-	0017-00101-1811	9	Hardware: Phillips Pan Screw 0.625"
-	0K39-01044-0000	1	Tape
-	0K62-01024-0001	1	Console Back Cover
-	0017-00101-1841	4	Hardware: Screw
-	0K32-01045-0000	1	Console Bracket
-	118E-00001-0259	1	Wireless Receiver Module, Non-Coded
-	A084-92247-A013	1	Interface Boards NTSC
-	0017-00103-0084	4	Hardware: Nut
-	0017-00101-1813	2	Hardware: Inverter Board Screw
-	0K32-01001-0013	1	LCD Touchscreen Assembly
-	0K32-01001-0013	1	LCD Touchscreen Assembly
-	0K32-01001-0013	1	LCD Touchscreen Assembly
-	0K32-01001-0013	1	LCD Touchscreen Assembly
-	0017-00042-1156	1	Edge Trim
-	AK32-00043-0000	1	Headphone Jack
-	0017-00101-1242	6	Hardware: Phillips Pan Screw 0.75"
-	0017-00101-1814	3	Hardware: Screw
-	A084-92251-A009	1	Single Board Computer

Console Support and Deadshaft Covers



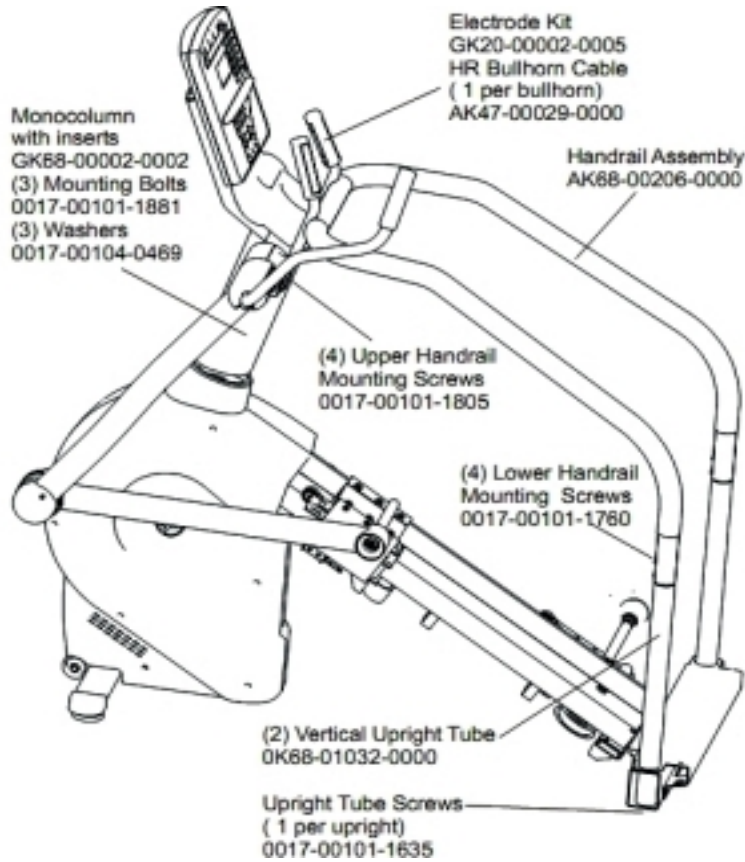
Ref #	Part Number	Qty	Description
-	0017-00101-1796	6	Hardware: Mounting Screw 19 MM
-	0K62-01022-0202	1	Accessory Tray
-	0K62-01030-0001	1	Console Support Cap
-	AK62-00123-0000	1	Console Support
-	0K62-01010-0000	1	Right Inside Deadshaft Cover
-	0K62-01012-0000	2	Front Outside Deadshaft Cover
-	0K62-01009-0000	2	Front Inside Deadshaft Cover
-	0K62-01007-0001	1	Bullhorn Cover Right
-	0017-00101-1854	1	Hardware: Bullhorn Cover Screw 44MM
-	0K62-01008-0001	1	Bullhorn Cover Left
-	0K62-01011-0000	1	Left Inside Deadshaft Cover
-	0K62-01023-0001	1	Console Support Shroud
-	0017-00101-1791	6	Hardware: TORX Screw 19 MM
-	0017-00101-1846	2	Hardware: Phillips Pan Screw 10 MM
-	0K62-01013-0000	2	Rear Outside Deadshaft Cover

Flexonic Belts



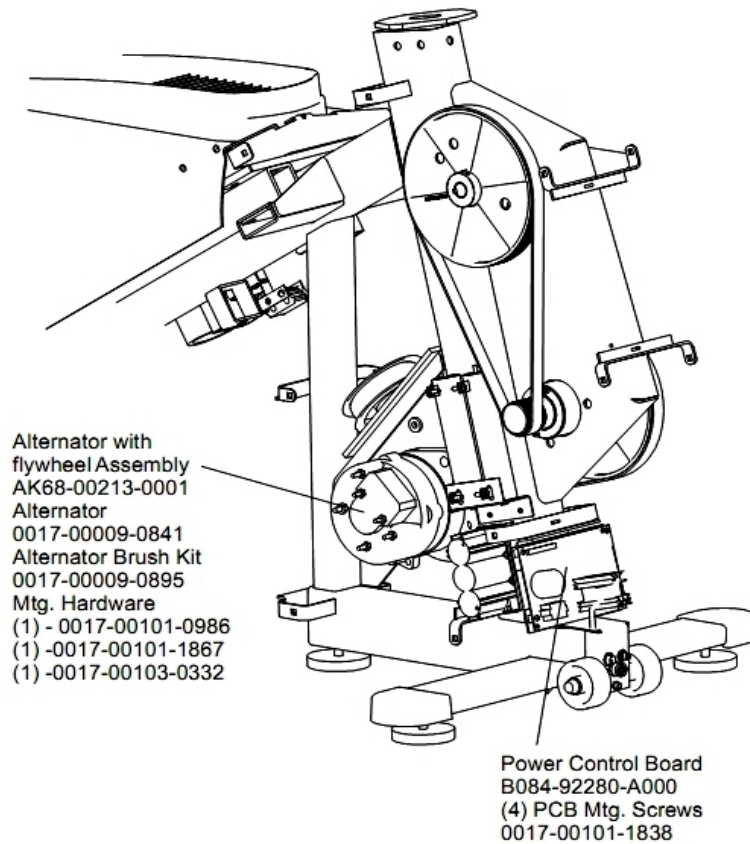
Ref #	Part Number	Qty	Description
-	0017-00103-0333	1	Hardware: Hex Nut
-	0017-00101-1906	3	Hardware: Hex Screw 20 MM
-	0017-00104-0469	3	Hardware: Flat Washer 16MM OD
-	AK68-00130-0000	1	Tensioner Bracket
-	AK68-00159-0000	1	Reed Switch
-	0017-00101-1905	1	Hardware: Bolt 70 MM
-	0K62-01134-0000	1	Flexonic Belt

Handrail and Vertical Uprights



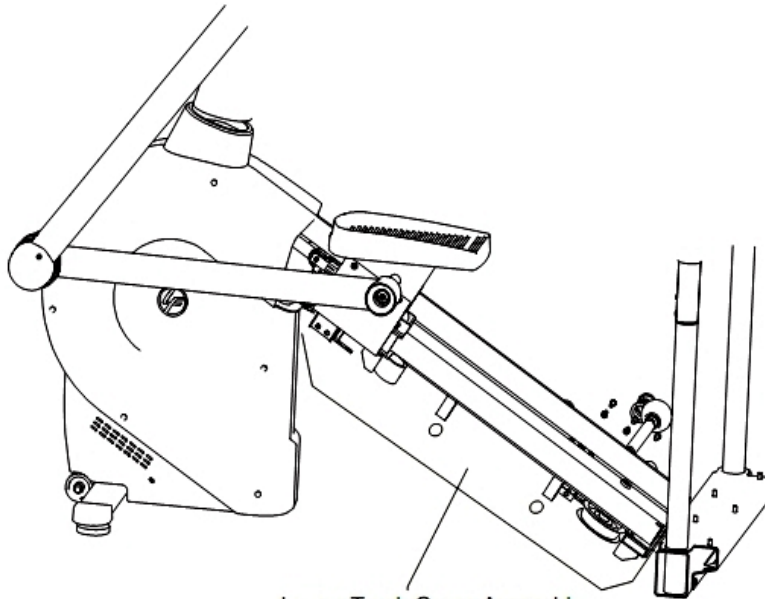
Ref #	Part Number	Qty	Description
-	0017-00101-1805	4	Hardware: TORX Screw 25 MM
-	0017-00104-0469	3	Hardware: Flat Washer 16MM OD
-	GK20-00002-0005	1	Heart Rate Electrode Kit
-	0017-00101-1760	4	Hardware: TORX Cap Screw 0.625"
-	0017-00101-1635	2	Hardware: Hex Bolt 1"
-	0K68-01032-0000	2	Vertical Upright Tube
-	AK47-00029-0000	2	Lifepulse Cable
-	0017-00101-1881	3	Hardware: Screw 20 MM
-	GK68-00002-0002	1	Mono-column w/Inserts

Lower PCB, Battery and Alternator



Ref #	Part Number	Qty	Description
-	AK68-00213-0001	1	Alternator w/Flywheel
-	0017-00009-0895	1	Alternator Brush Kit
-	0017-00101-1867	1	Hardware: Mounting Bolt 45 MM
-	0017-00101-0986	1	Hardware: Bolt 0.75"
-	0017-00009-0841	1	Alternator
-	0017-00103-0332	1	Hardware: Mounting Nut

Lower Track Cover and Hardware



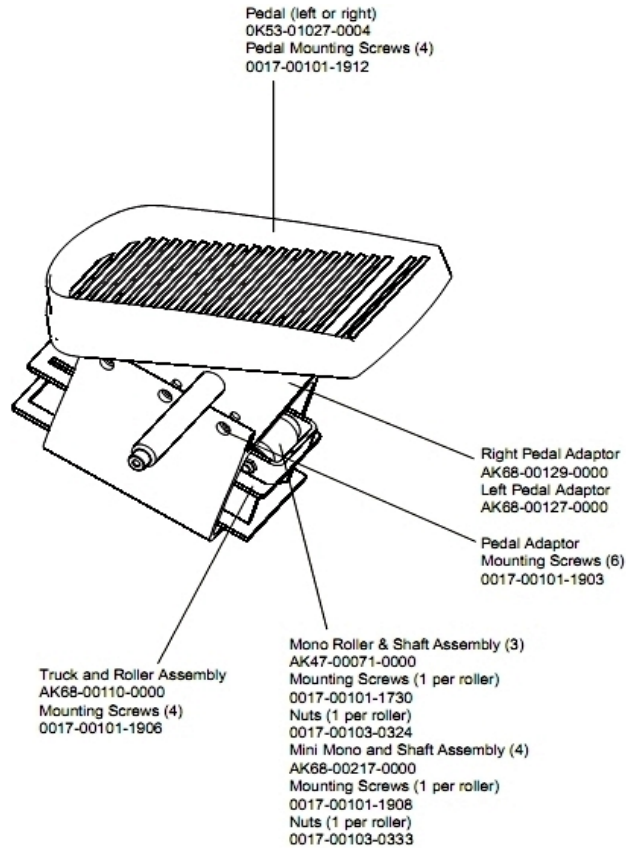
Lower Track Cover Assembly
AK68-00220-0000
Mounting Screw (3)
0017-00101-1906
Washer, Nylon (3)
0017-00104-0485
Flat Washer (3)
0017-00104-0479

Ref #	Part Number	Qty	Description
-	0017-00104-0485	3	Hardware: Flat Washer
-	AK68-00220-0000	1	Lower Track Cover Assembly
-	0017-00101-1906	3	Hardware: Hex Screw 20 MM
-	0017-00104-0479	3	Hardware: Flat Washer 25.4MM OD

Miscellaneous

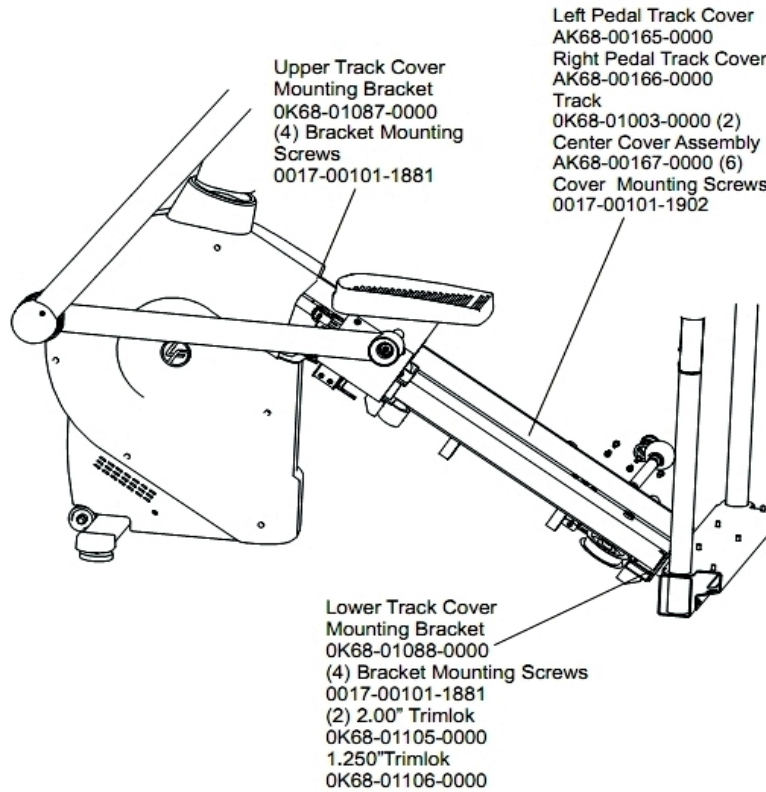
Ref #	Part Number	Qty	Description
-	0017-00021-2846	1	F-Type Panel Connector
-	0017-00008-0205	1	5 oz Bottle - Arctic Silver
-	0017-00003-0889	1	Line Cord Cont U.K. 10A
-	0017-00003-0918	1	Line Cord - Australia
-	AK32-00020-0001	1	Coax Cable: 90"
-	0017-00008-0204	1	Paint Spray Can - Arctic Silver
-	AK32-00075-0003	1	20" Power Cable
-	0017-00003-0691	1	Line Cord Cont 10A 250 V
-	AK68-00107-0001	1	Access Panel Assembly
-	0017-00003-0704	1	Line Cord 10A 125 V
-	0K68-01031-0000	1	Access Panel Bracket
-	0017-00008-0206	1	.33oz Pen - Arctic Silver
-	118E-00001-0161	1	Power Supply 12V 4.5A Without Line Cord
-	AK68-00198-0000	1	Hardware Bag

Pedals, Truck and Roller Assembly



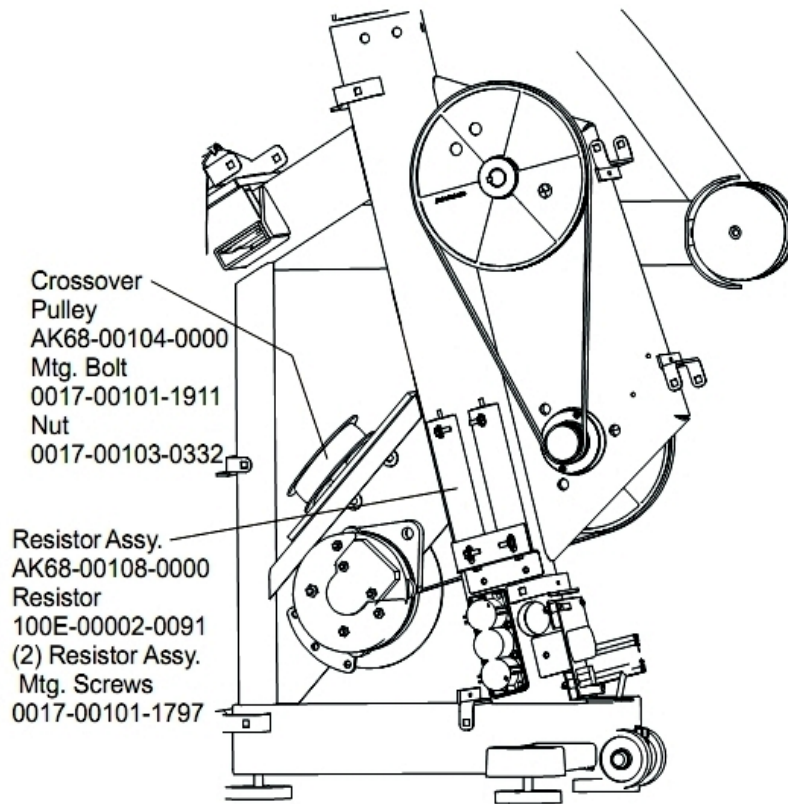
Ref #	Part Number	Qty	Description
-	0017-00103-0333	2	Hardware: Hex Nut
-	0K53-01027-0004	2	Pedal (left or right)
-	0017-00101-1906	8	Hardware: Hex Screw 20 MM
-	AK68-00127-0000	1	Pedal Adaptor: Left
-	0017-00103-0324	2	Hardware: Thin Lock Nut 3/8" ID
-	0K47-01152-0000	2	Rubber Bumper
-	AK68-00110-0000	2	Truck and Roller Assembly
-	AK68-00129-0000	1	Pedal Adaptor: Right
-	0017-00101-1903	12	Hardware: Hex Screw 25 MM
-	AK68-00217-0000	8	Mini-mono and Shaft Assembly
-	0017-00101-1730	2	Hardware: Mono-roller Hex Bolt 3.5"
-	0017-00101-1912	8	Hardware: Hex Bolt 0.5"
-	0017-00101-1908	2	Hardware: Mounting Screw
-	AK47-00071-0000	6	Mono Roller and Shaft Assembly

Pedal Track Covers and Hardware



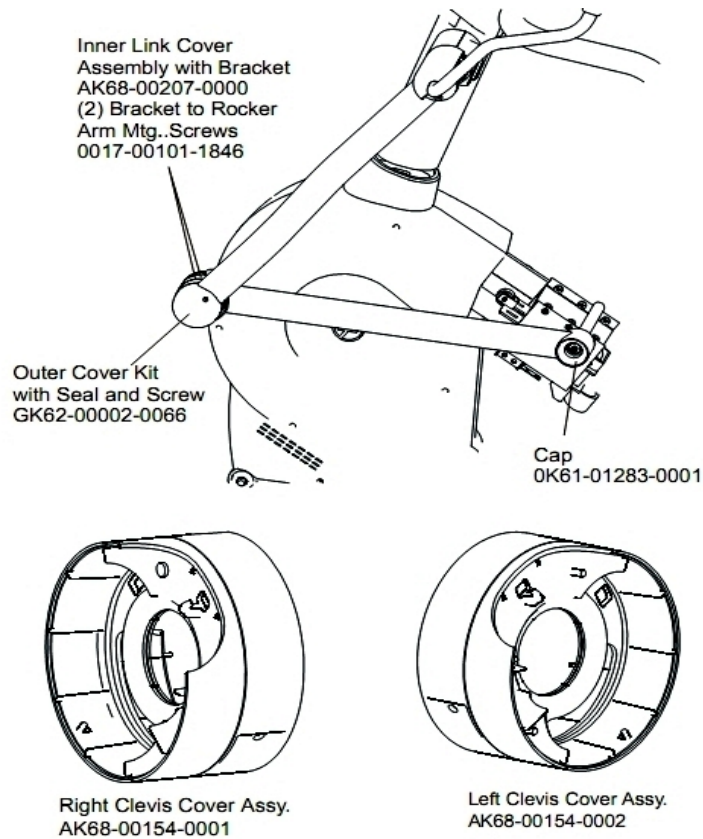
Ref #	Part Number	Qty	Description
-	0017-00101-1902	6	Hardware: Screw 20 MM
-	OK68-01106-0000	1	Grommet: Trim Lok: 2.00
-	AK68-00165-0000	1	Pedal Track Cover: Left
-	OK68-01003-0000	1	Track
-	OK68-01088-0000	1	Lower Mounting Bracket for Pedal Track Covers
-	AK68-00166-0000	1	Pedal Track Cover: Right
-	AK68-00167-0000	2	Center Cover
-	0017-00101-1881	8	Hardware: Screw 20 MM
-	OK68-01105-0000	2	Grommet: Trim Lok: 1.250
-	OK68-01087-0000	1	Upper Mounting Bracket for Pedal Track Covers

Resistor Assembly and Pulleys



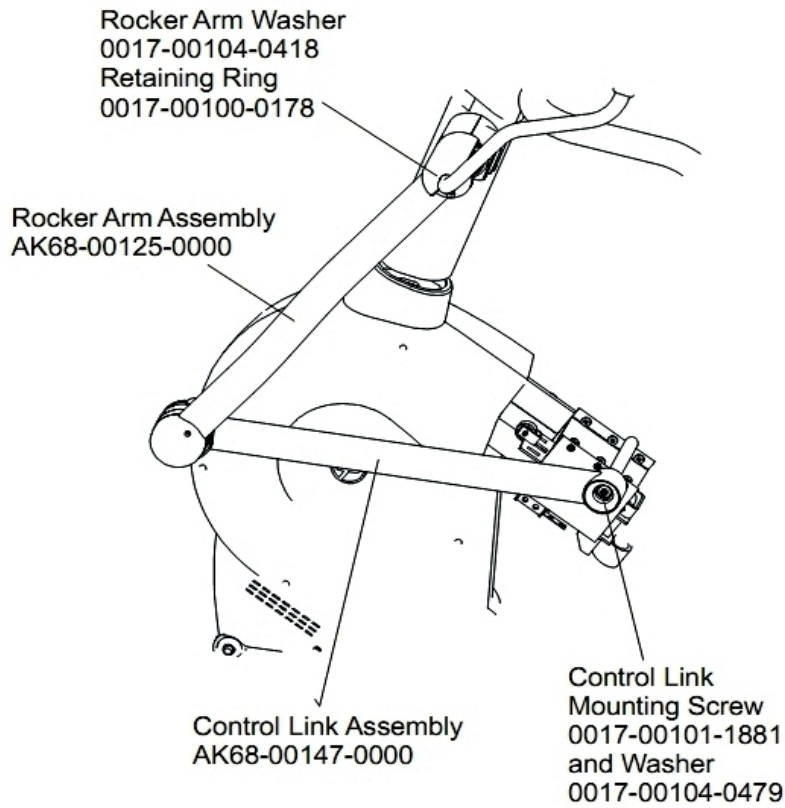
Ref #	Part Number	Qty	Description
-	0017-00101-1911	1	Hardware: Hex Bolt 45 MM
-	100E-00002-0091	1	Resistor .75 OHM 240 Watt
-	0017-00103-0332	1	Hardware: Mounting Nut
-	AK68-00108-0000	1	Resistor Assembly
-	0017-00101-1797	2	Hardware: Mounting Screw 16 MM
-	AK68-00104-0000	1	Crossover Pulley

RockerArm/Control Link Covers



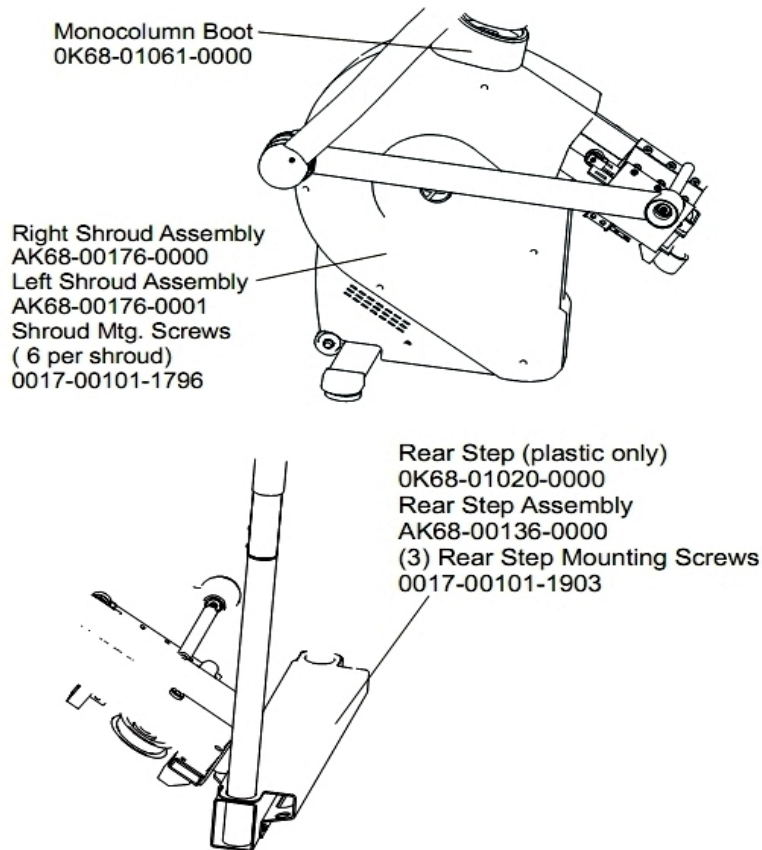
Ref #	Part Number	Qty	Description
-	AK68-00154-0001	2	Right Clevis Cover Assembly
-	GK62-00002-0066	2	Rocker Cover Kit
-	0017-00101-1846	4	Hardware: Phillips Pan Screw 10 MM
-	AK68-00154-0002	2	Left Clevis Cover Assembly
-	AK68-00207-0000	2	Inner Link Cover Assembly with Bracket
-	OK61-01283-0001	2	Cap

Rocker Arms and Control Link



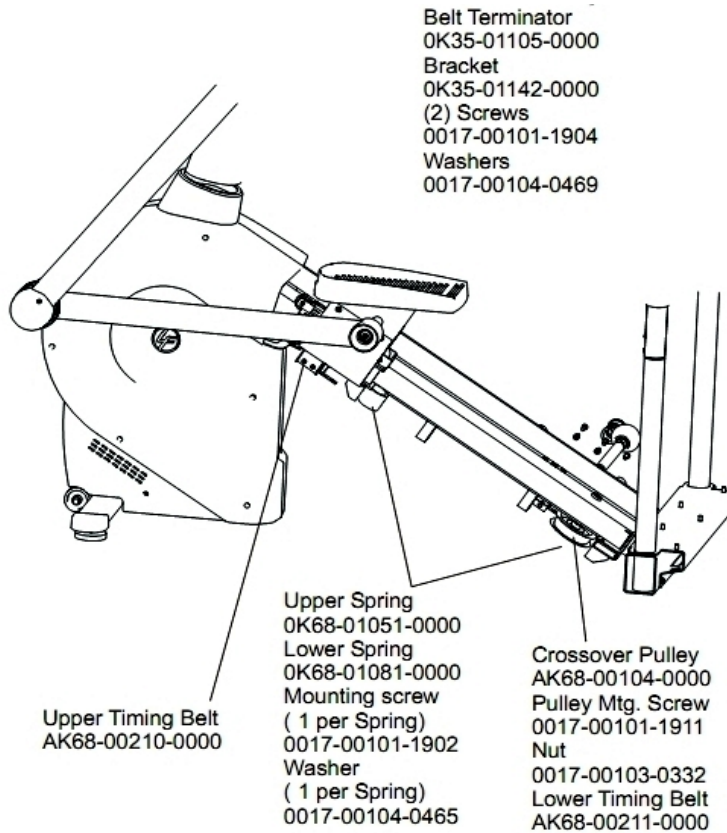
Ref #	Part Number	Qty	Description
-	0017-00104-0479	2	Hardware: Flat Washer 25.4MM OD
-	0017-00100-0178	2	Hardware: Retaining Ring 1.25"
-	AK68-00147-0000	2	Control Link Assembly
-	0017-00104-0418	2	Hardware: Flat Washer 1.75" OD
-	0017-00101-1881	2	Hardware: Screw 20 MM
-	AK68-00125-0000	2	Rocker Arm Assembly

Shrouds, Boot and Rear Step Assembly



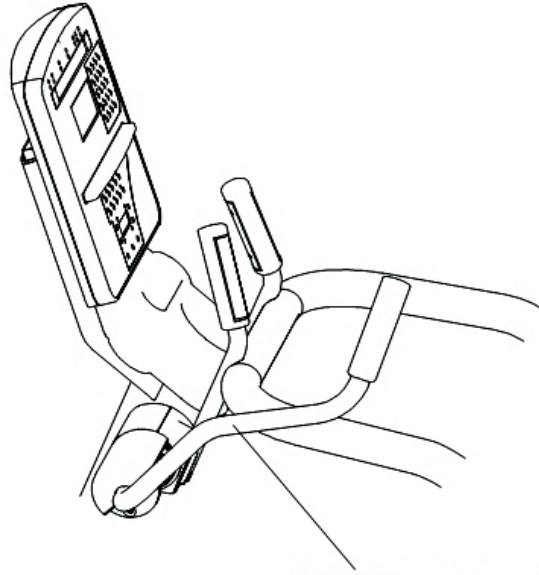
Ref #	Part Number	Qty	Description
-	AK68-00136-0000	1	Rear Step Assembly
-	AK68-00176-0000	1	Right Shroud Assembly
-	0017-00101-1903	3	Hardware: Hex Screw 25 MM
-	0017-00101-1796	12	Hardware: Mounting Screw 19 MM
-	AK68-00176-0001	1	Left Shroud Assembly
-	0K68-01061-0000	1	Monocolumn Boot
-	0K68-01020-0000	1	Rear Step (plastic only)

Timing Belts and Springs



Ref #	Part Number	Qty	Description
-	0K35-01142-0000	4	Hardware: Bracket
-	0017-00101-1911	1	Hardware: Hex Bolt 45 MM
-	AK68-00210-0000	1	Timing Belt: Upper
-	AK68-00211-0000	1	Timing Belt: Lower
-	0017-00101-1902	2	Hardware: Screw 20 MM
-	0K68-01051-0000	1	Upper Spring
-	0K35-01105-0000	4	Hardware: Belt Terminator
-	0017-00104-0469	8	Hardware: Flat Washer 16MM OD
-	0017-00103-0332	1	Hardware: Mounting Nut
-	0017-00101-2037	8	Hardware: SCR: M8 X 1.25 X 50 HEX
-	AK68-00104-0000	1	Crossover Pulley
-	0017-00104-0465	2	Hardware: Flat Washer 23MM OD
-	0K68-01081-0000	1	Lower Spring

User Arms and Hardware



Right User Arm with grip
AK68-00143-0001
Left User Arm with grip
AK68-00143-0002
Grip
OK62-01138-0000
(3) User Arm Mtg. Screws
0017-00101-1791

Ref #	Part Number	Qty	Description
-	AK68-00143-0001	1	Right User Arm with grip
-	OK62-01138-0000	2	Grip
-	0017-00101-1791	6	Hardware: TORX Screw 19 MM
-	AK68-00143-0002	1	Left User Arm with grip

