

# PowerMill Base

95PS-ALLXX-XX03RF

## Parts Manual

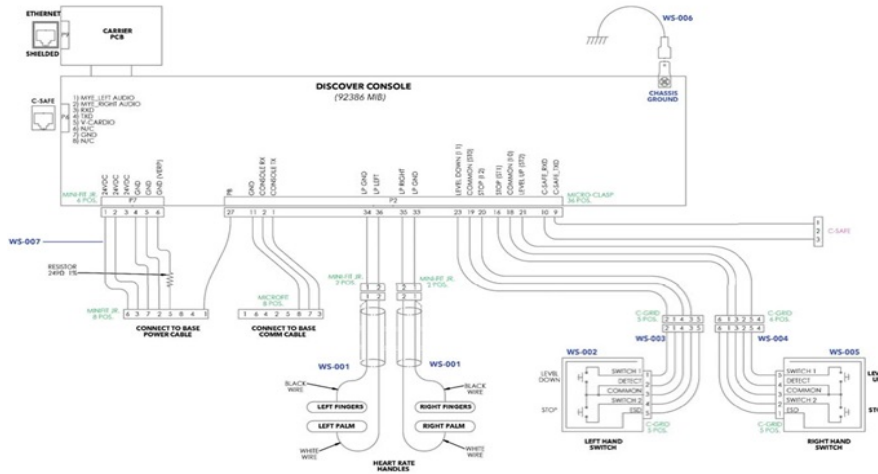
1/17/2019 9:19:05 AM

## Table of Contents

---

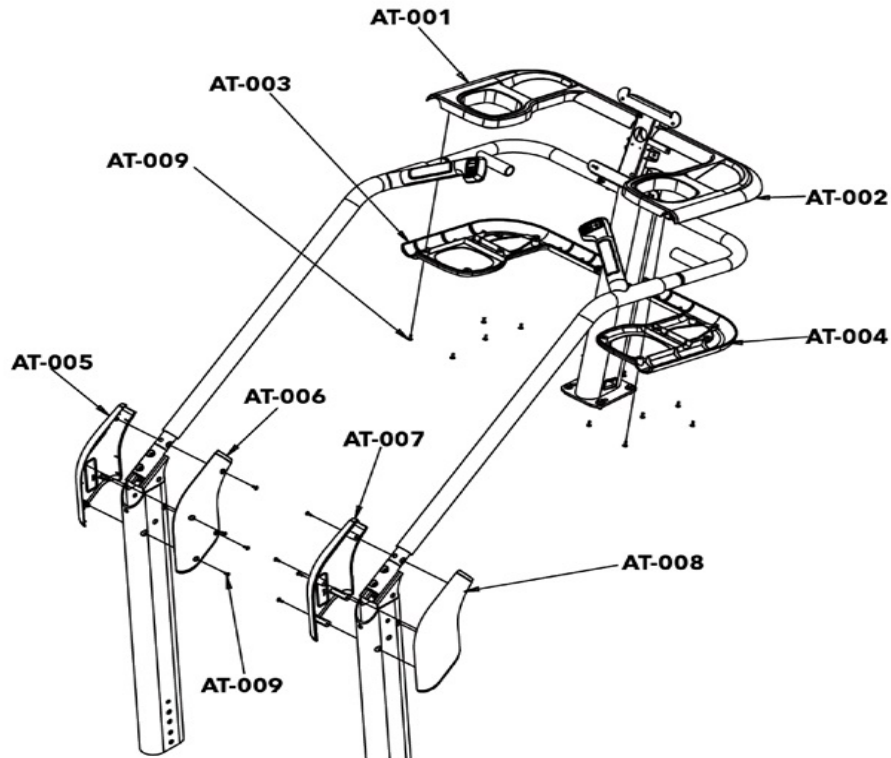
<a href="#">ring Diagram - Console - Discover.....</a>	<a href="#">3</a>
<a href="#">Accessory Trays &amp; Handlebar Covers.....</a>	<a href="#">4</a>
<a href="#">Base Electronics.....</a>	<a href="#">5</a>
<a href="#">Base Electronics 2.....</a>	<a href="#">6</a>
<a href="#">Base Electronics 3.....</a>	<a href="#">8</a>
<a href="#">Console Cover &amp; Cup Holders.....</a>	<a href="#">9</a>
<a href="#">Drive System.....</a>	<a href="#">10</a>
<a href="#">Front and Side Shrouds.....</a>	<a href="#">12</a>
<a href="#">Handlebars &amp; Console Support.....</a>	<a href="#">13</a>
<a href="#">Leg Levelers &amp; Wheels.....</a>	<a href="#">15</a>
<a href="#">Miscellaneous.....</a>	<a href="#">16</a>
<a href="#">Motor &amp; Brake.....</a>	<a href="#">17</a>
<a href="#">Step System.....</a>	<a href="#">19</a>
<a href="#">Wiring Diagram - Base.....</a>	<a href="#">20</a>
<a href="#">Wiring Diagram - Console - Integrity X / Integrity C.....</a>	<a href="#">21</a>

# ring Diagram - Console - Discover



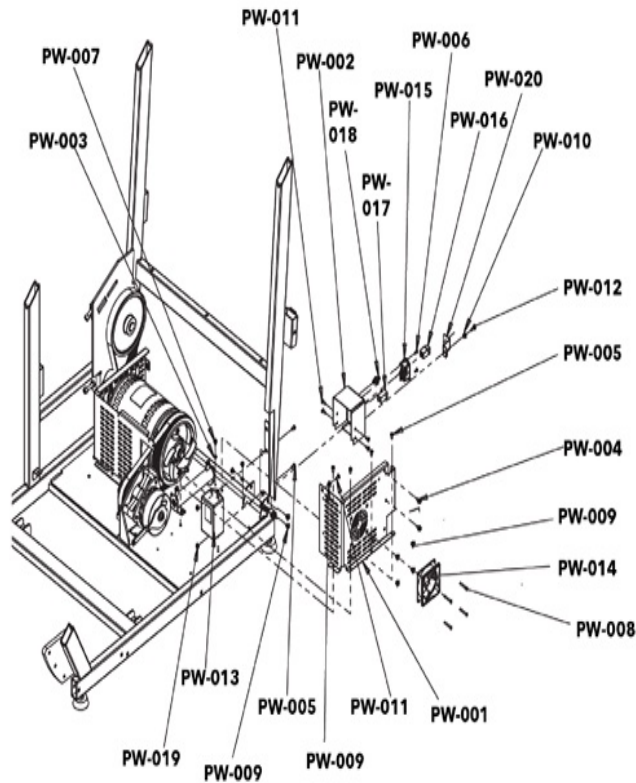
Ref #	Part Number	Qty	Description
WS-001	9265500	1	CBL ASSY: LIFEPULSE, HANDLES
WS-002,W S-005	GK98-00002-0000	2	KIT: POWERMILL BUTTON REPLACEMENT
WS-003	9265200	1	CBL ASSY: SWITCH_A
WS-004	9265300	1	CBL ASSY: SWITCH_B
WS-006	AK65-00103-0003	1	Cable: Ground ESD
WS-007	1008287-0001	1	CBL ASSY: DISCOVER TO HERCULES ADAPTOR, PM

## Accessory Trays & Handlebar Covers



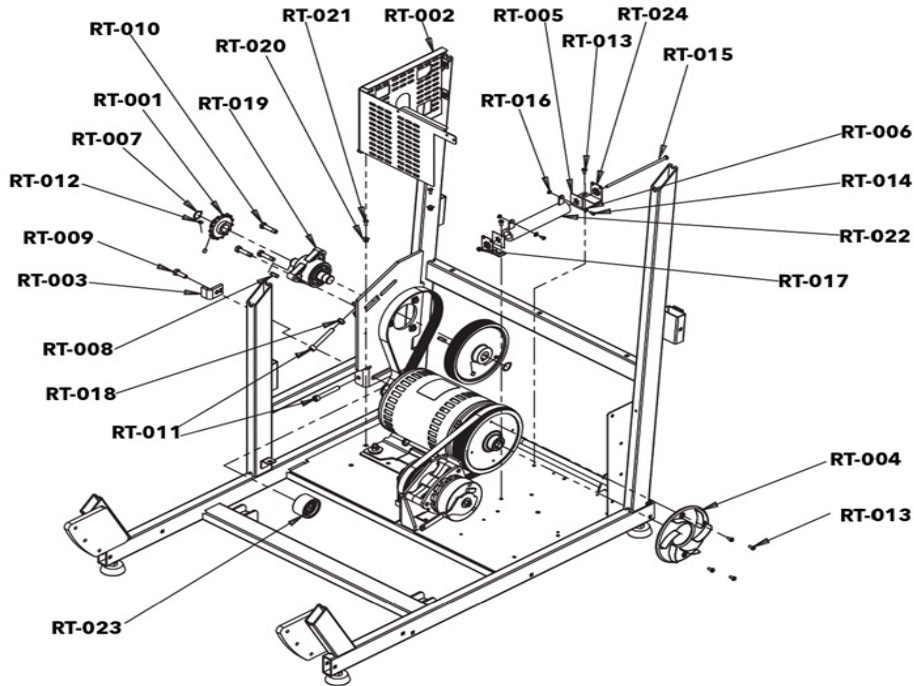
Ref #	Part Number	Qty	Description
AT-001	9277800	1	ASSY; TRAY; ACCESSORY TOP LT
ST-001	9278500	2	ASSY; CAP; STEP ASSIST
AT-002	9277900	1	ASSY; TRAY; ACCESSORY TOP RT
ST-002	9278300	1	CASTING; STEP ASSIST LT
ST-003	9278200	1	CASTING; STEP ASSIST RT
AT-003	9585200	1	TRAY; ACCESSORY BTM LT
AT-004	9585300	1	TRAY; ACCESSORY BTM RT
ST-004	9273300	6	SCREW; SHCS; M8-1.25 X 35 BZ
AT-005	9276900	1	ASSY COVER; REAR HANDLEBAR JUNCTION; OUTER LT
AT-006	9269100	1	COVER; REAR HANDLEBAR JUNCTION; INNER LT
AT-007	9268900	1	COVER; REAR HANDLEBAR JUNCTION; INNER RT
AT-008	9276800	1	ASSY COVER; REAR HANDLEBAR JUNCTION; OUTER RT
AT-009,ST-005	0017-00101-2068	22	Hardware: Screw 12MM

## Base Electronics



Ref #	Part Number	Qty	Description
PW-001	1006536-0001	1	WLDMT: SHIELD MDB SUPPORT
PW-002	9250800	1	BRKT; POWER ENTRANCE, IEC/SWITCH
PW-003	9273600	4	WASHER; 5MM EXTERNAL STAR CZ
PW-004	0017-00101-2070	2	Hardware: Screw 10MM
PW-005	9272200	14	SCREW; M5-0.8 X 10 PHL PAN BZ
PW-006	9273400	2	SCREW, M4-0.7 X 10 PHL FLAT BZ
PW-007	9285200	2	M5 X 0.8 6G6G X 6 DIN HWS ST GND GZ
PW-008	9278700	4	M4 X 0.7-6G6G X 30 DIN PHL PAN MS ST ZB
PW-009	0017-00042-1055	11	Hardware: Plastic Grommet
PW-010	0017-00042-1147	10	Hardware: Nylon Grommet
PW-011	0017-00101-2068	7	Hardware: Screw 12MM
PW-012	0017-00101-1776	1	Hardware: Mounting Screw 0.5"
PW-013	0017-00003-1089	1	LINE FILTER
PW-014	9264300	1	CBL ASSY: FAN 1
PW-015	1010668-0001	1	IEC INLET: C-14 WITH LINE SWITCH 2-POLE powermill
PW-016	0017-00021-3195	1	COUPLER: CAT5E, SHIELDED, RJ45
PW-017	0017-00021-2847	1	Phone Jack Panel Receptacle
PW-018	0017-00021-2846	1	F-Type Panel Connector
PW-019	0017-00103-0350	2	Hardware: Hex Nut 5 MM
PW-020	9251000	1	BRKT, LINE CORD RETAINER

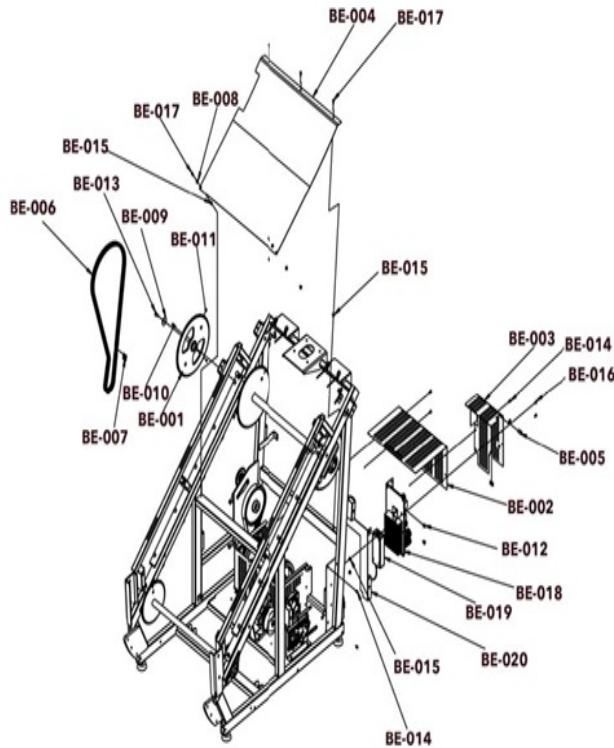
## Base Electronics 2



Ref #	Part Number	Qty	Description
RT-001	9276300	1	WELDMENT; SPROCKET, SMALL, DRIVE
RT-002	1002910-0001	1	WLDMT, MOTOR ELECTRICAL SHROUD
RT-003	9279500	1	BRKT; PUSH BAR, TENSIONER, BELT
RT-004	9275000	1	FAN; FLYWHEEL
RT-005	9286700	2	INSULATOR; FISHPAPER .030 THK
RT-006	9273600	2	WASHER; 5MM EXTERNAL STAR CZ
RT-007	0017-00100-0242	2	Hardware: Retaining Ring .781"
RT-008	9272400	2	KEY; 6MM X 6MM X 20LG OVAL
RT-009	9279700	1	M8 X 1.25-6G6G X 25 DIN HEX CS ST ZB
RT-010	9269600	3	SCREW, M8 X 1.25-6G6G X 35 DIN HEX L CS ST ZB
RT-011	9285500	2	M8 X 1.25-6G6G X 60 DIN SOC CS ST ZB
RT-012	9282700	8	SCREW; SET M6-1 X 8 CUP POINT BZ
RT-013	9272200	8	SCREW; M5-0.8 X 10 PHL PAN BZ
RT 014	0017-00101-2095	2	M4 X 0.7-6G6G X 8 DIN PHL PAN MS ST ZS
RT-015	0017-00101-2072	1	Hardware: Pan Screw 170MM
RT-016	0017-00103-0388	2	NUT: M4 X 0.7-6H6H DIN ST ZS
RT-017	0017-00103-0385	1	Hardware: Nut 5 MM ID
RT-018	0017-00103-0328	1	Hardware: Nut 8 MM ID
RT-019	9267300	1	ASSY; BEARING HUB STEP DRIVE
RT-020	0017-00042-1055	2	Hardware: Plastic Grommet
RT-021	0017-00101-2068	2	Hardware: Screw 12MM
RT-022	100E-00002-0099	1	WIRE-WOUND RESISTOR 100OHMS, 300W

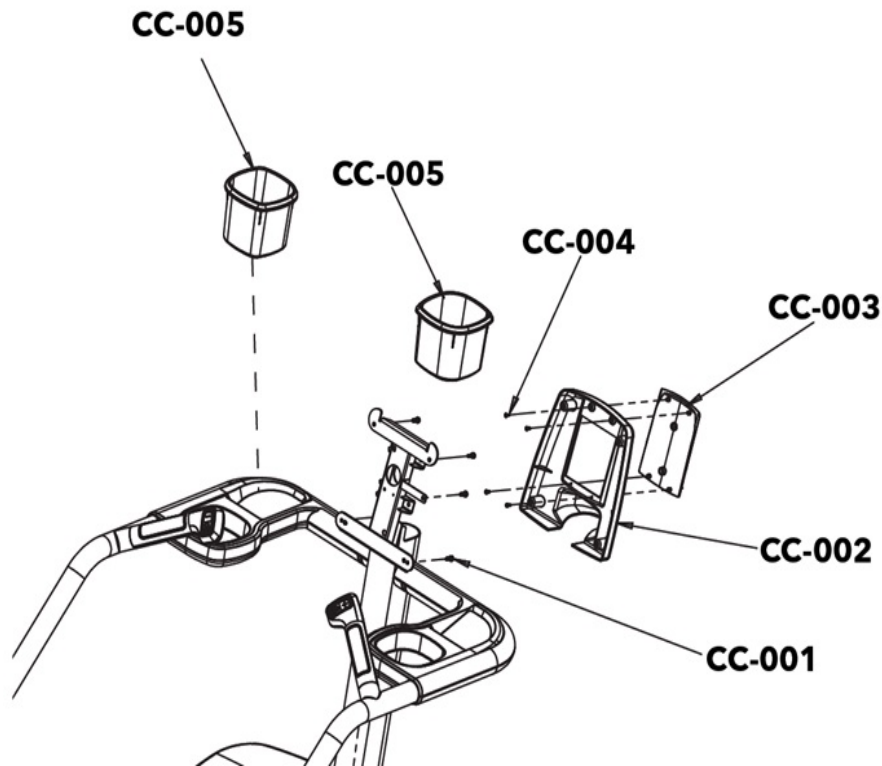
<b>Ref #</b>	<b>Part Number</b>	<b>Qty</b>	<b>Description</b>
RT-023	9314600	1	ASSY; ROLLER TENSIONER
RT-024	9273500	2	BRKT; RESISTOR MTG

## Base Electronics 3



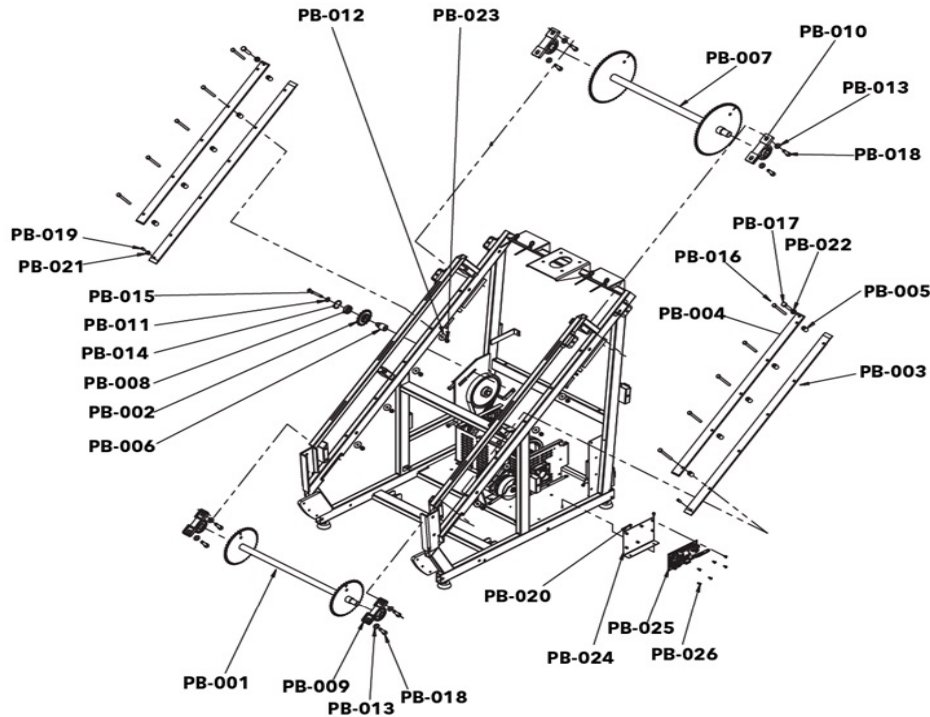
Ref #	Part Number	Qty	Description
BE-001	9248500	1	WLDMT, LARGE SPROCKET
BE-002	1002907-0001	1	COVER; INTERNAL BOX TOP
BE-003	1002904-0001	1	COVER; MOTOR CONTROLLER SHROUD
BE-004	9274800	2	SHEET; FORMED SHIELD
BE-005	9284300	1	GROMMET; EDGE 20MM WIDE
BE-006	9251300	1	CHAIN, 40 SERIES,
BE-007	9284600	3	ASSY: MASTER LINK 40 SERIES O-RING CHAIN
BE-008	9284400	2	WASHER; 4.76MM ID X 12MM OD X .8MM THK.
BE-009	9282600	1	WASHER; STEEL 8MM ID X 30MM OD X 3MM THK
BE-010	9282200	1	KEY; 8MM X 7MM X 22MM
BE-011	9282700	10	SCREW; SET M6-1 X 8 CUP POINT BZ
BE-012	0017-00101-2070	2	Hardware: Screw 10MM
BE-013	9286500	1	M8 X 1.0 6G6G X 16 DIN HEX BUT L CS ST BZ
BE-014	9272200	22	SCREW; M5-0.8 X 10 PHL PAN BZ
BE-015	0017-00042-1055	20	Hardware: Plastic Grommet
BE-016	0017-00101-2068	12	Hardware: Screw 12MM
BE-017	9276700	5	M4 X 0.7-6G6G X 16 DIN PHL PAN MS ST BZ
BE-018	1003844-0002	1	ASSEMBLY: DCI MDB, PC BOARD ASSY, POWERMILL POWER SUPPLY: 100-240VAC TO 24VDC, 5A, 2.5MM PLUG
BE-019	1004808-0001	1	
BE-020	1006539-0001	1	WLDMT: COVER, MOTOR CONTROLLER, BACK

## Console Cover & Cup Holders



Ref #	Part Number	Qty	Description
CC-001	0017-00101-1940	5	Hardware: Screw 14MM
CC-002	9278000	1	COVER; CONSOLE JUNCTION DISCOVER
CC-003	AK92-00059-2400	1	ASSEMBLY: MIDDLE SHROUD; CONSOLE; CHGR
CC-004	0017-00101-1275	4	Hardware: Phillips Screw 0.375"
CC-005	0K67-01055-2400	2	CUP: ACCESORY; CHGR

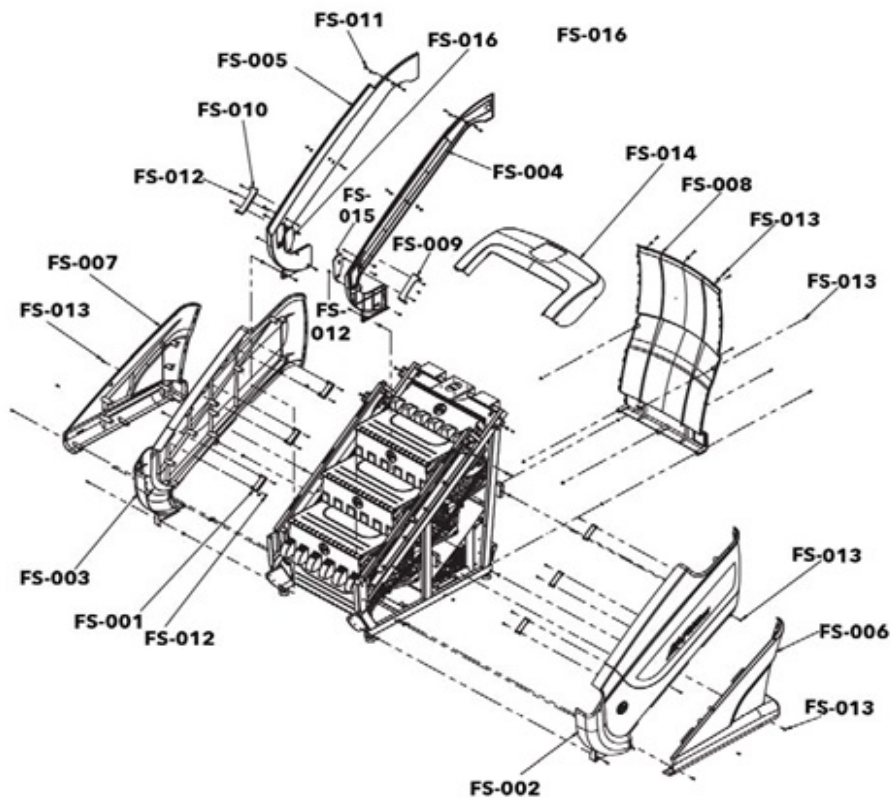
## Drive System



Ref #	Part Number	Qty	Description
PB-001	9255000	1	WLDMT; SHAFT LOWER
PB-002	9273800	1	WELDMENT; SPROCKET TENSIONER
PB-003	9255100	1	BAR; WEAR LOWER RT
PB-004	9255200	2	BAR; WEAR TOP
PB-005	9255300	10	SPACER; TRACK END MOUNTS
PB-006	9274400	1	SPACER; SPROCKET, TENSIONER
PB-007	9248400	1	WLDMT, MAIN AXLE
PB-008	9274300	1	BRG; BAL; 6202ZZ 15MM X 35MM X 11MM
PB-009	9254700	2	PILLOW BLOCK P204
PB-010	9282100	2	PILLOW BLOCK P205
PB-011	9271600	1	WASHER; STEEL 8MM ID X 20MM OD X 3MM THK
PB-012	9271700	12	WASHER; STEEL 8MM ID X 28MM OD X 2.5MM THK
PB-013	9271800	8	WASHER; STEEL 10.5MM ID X 2MM OD X 2.MM THK
PB-014	9274200	1	RETAINING RING; INTERNAL 35MM BORE
PB-015	9282900	1	M8 X 1.25-6G6G X 65 DIN HEX L CS ST ZB
PB-016	9272700	10	SCREW, M8-1.0-6G6G X 95 DIN HEX L CS ST ZS
PB-017	9285600	2	M10 X 1.5-6G6G X 50 DIN HEX CS ST ZN
PB-018	9273000	8	SCREW; SHCS; M10-1.5 X 35 BZ
PB-019	9273200	2	SCREW; SET M8-1.25 X 20 CUP POINT BZ
PB-020	9272200	16	SCREW; M5-0.8 X 10 PHL PAN BZ
PB-021	0017-00103-0328	2	Hardware: Nut 8 MM ID
PB-022	0017-00103-0384	2	Hardware: Jam Nut 10 MM ID

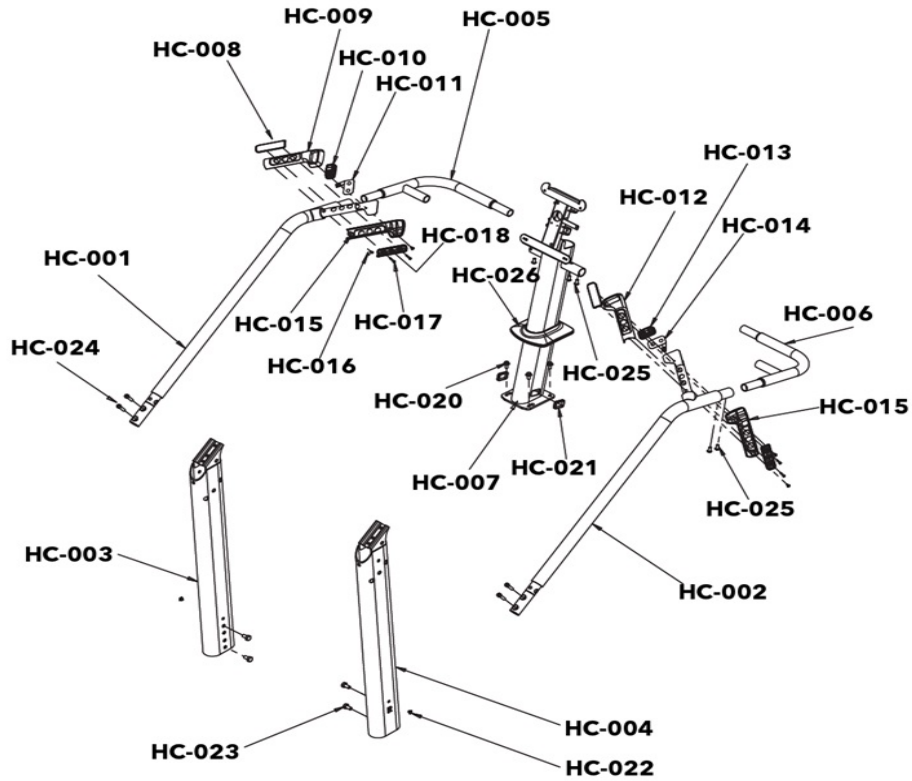
<b>Ref #</b>	<b>Part Number</b>	<b>Qty</b>	<b>Description</b>
PB-023	9274500	8	NUT; M8, NYLON LOCKING LOW HEIGHT ST CZ
PB-024	1006540-0001	1	ASSY: BRKT SIB SUPPORT
PB-025	1003158-0012	1	PC BOARD ASSY: DCI SYSTEM INTERFACE BOARD - POWERMILL
PB-026	0017-00101-1968	6	Hardware: Ground Screws 10MM

## Front and Side Shrouds



Ref #	Part Number	Qty	Description
FS-001	9271400	6	BRKT; MTG TAB; SIDE SHROUD
FS-002	1009881-0001	1	ASSY; SHROUD; SIDE PANEL; UPPER RT, RF
FS-003	1009882-0001	1	ASSY; SHROUD; SIDE PANEL; UPPER LT, RF
FS-004	9269200	1	ASSY; SHROUD; INNER PANEL; RT
FS-005	9269300	1	ASSY; SHROUD; INNER PANEL; LT
FS-006	9267700	1	SHROUD; SIDE PANEL; LOWER RT
FS-007	9267900	1	SHROUD; SIDE PANEL; LOWER LT
FS-008	1009883-0001	1	ASSY; SHROUD, FRONT, PF
FS-009	9268300	1	SHROUD; INSERT REAR; RT
FS-010	9268400	1	SHROUD; INSERT REAR; LT
FS-011	0017-00042-1055	62	Hardware: Plastic Grommet
FS-012	0017-00101-2068	32	Hardware: Screw 12MM
FS-013	9276700	47	M4 X 0.7-6G6G X 16 DIN PHL PAN MS ST BZ
FS-014	9285900	1	ASSY; TOP COVER PMILL
FS-015	9269400	1	PANEL; ACCESS; RT
FS-016	9269500	1	PANEL; ACCESS; LT

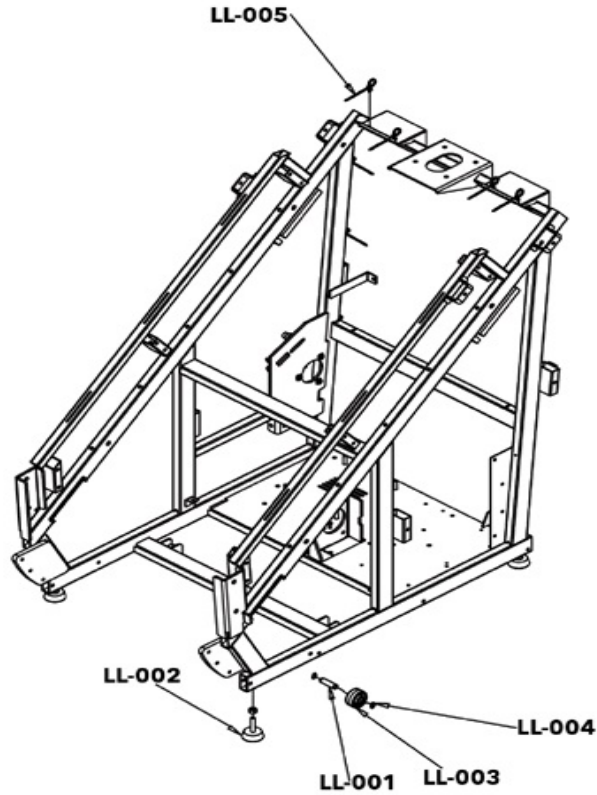
## Handlebars & Console Support



Ref #	Part Number	Qty	Description
HC-001	9260400	1	WLDMT; HANDLEBAR REAR LT, DIPPED
HC-002	9259400	1	WLDMT; HANDLEBAR REAR RT, DIPPED
HC-003	92815152	1	ASSY: REAR HANDLEBAR SUPPORT LT, RETRO RED
HC-004	92814152	1	ASSY: REAR HANDLEBAR SUPPORT RT, RETRO RED
HC-005	9276500	1	WLDMT; HANDLEBAR FRONT LT
HC-006	9259700	1	WLDMT; HANDLEBAR FRONT RT
HC-007	1006873-1520	1	WLDMT: UPRIGHT CONSOLE MTG: DICOVER, HERCULES, PERF RED
HC-008	9281200	2	ELECTRODE, INSERT-MOLDED, TOP, CHRL
HC-009	9275400	1	ASSY; ERGO GRIP TOP LT
HC-010	1008051-0001	1	ASSY: BUTTON MODULE SPEED DOWN/STOP
HC-011,HC-014	GK98-00002-0000	2	KIT: POWERMILL BUTTON REPLACEMENT
HC-012	9275300	1	ASSY; ERGO GRIP TOP RT
HC-013	1008050-0001	1	ASSY: BUTTON MODULE SPEED UP/STOP
HC-015	9260300	1	GRIP: HANDLE; ERGO BAR BTM LT
HC-016	0017-00101-2068	4	Hardware: Screw 12MM
HC-017	REX2NAD	4	Hardware: Screw, PHI HD M4 X 18-28
HC-018	9281300	2	ELECTRODE, INSERT-MOLDED, BOTTOM, CHRL
HC-019	9259300	1	GRIP: HANDLE; ERGO BAR BTM RT
HC-020	0017-00101-2091	4	Hardware: Screw 16MM
HC-021	REX2NEK	2	Grommet, 38MM X 25MM

<b>Ref #</b>	<b>Part Number</b>	<b>Qty</b>	<b>Description</b>
HC-022	0017-00042-1055	2	Hardware: Plastic Grommet
HC-023	REX2DVG	4	Hardware: Bolt, HEX M10 X 1.5-20
HC-024	9273300	4	SCREW; SHCS; M8-1.25 X 35 BZ
HC-025	0017-00101-2007	4	Hardware: Mounting Bolt 16MM
HC-026	9268500	1	GASKET; TOP CAP

## Leg Levelers & Wheels



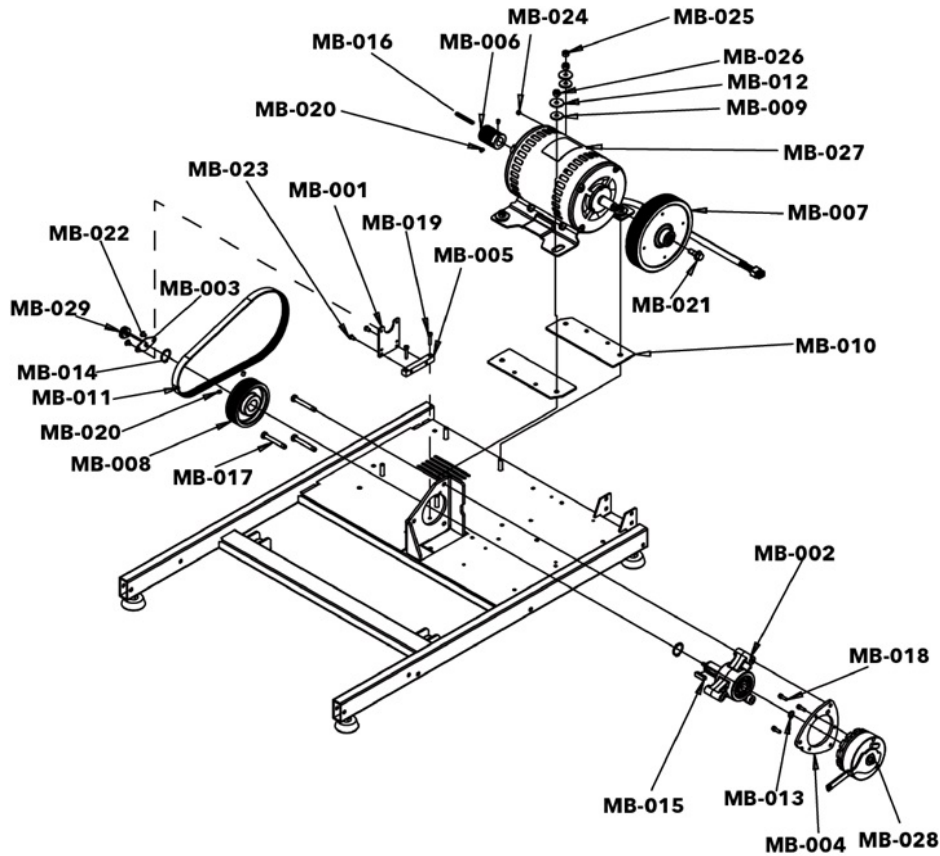
Ref #	Part Number	Qty	Description
LL-001	9257000	4	SHAFT: FRAME; WHEEL, UPRIGHT
LL-002	AK76-00032-0000	4	LEVELER ASSY: LEG
LL-003	REX2AX2	4	Wheel-Floor Roller
LL-004	9282000	8	RETAINING RING: 12MM X 1MM
LL-005	9281100	7	GROMMET: CABLE TIE, 4.5MM PLT

**Miscellaneous**

---

<b>Ref #</b>	<b>Part Number</b>	<b>Qty</b>	<b>Description</b>
MISC-001	9281100	20	GROMMET: CABLE TIE, 4.5MM PLT
MISC-002	9284000	1	SPACER, LINE CORD, ADHESIVE BACKED
MISC-003	0017-00003-1084	1	LINE-CORD: ARGENTINA, IEC-C13 LEFT ANGLE
MISC-004	0017-00003-1085	1	LINE-CORD: AUSTRALIA, IEC-C13 LEFT ANGLE
MISC-005	0017-00003-1083	1	LINE-CORD: BRAZIL, IEC-C13 LEFT ANGLE
MISC-006	0017-00003-1088	1	LINE-CORD: CHINA, IEC-C13 LEFT ANGLE
MISC-007	0017-00003-1086	1	LINE-CORD: CON, RA PLUG, IEC-C13 LEFT ANGLE
MISC-008	0017-00003-1082	1	LINE-CORD: DOM, RA OFFSET PLUG, IEC-C13 LEFT ANGLE
MISC-010	9273600	2	WASHER; 5MM EXTERNAL STAR CZ
MISC-010	0017-00003-1087	1	LINE-CORD: UK, RA PLUG, IEC-C13 LEFT ANGLE
MISC-011	1005544-0001	1	LINE-CORD: DOM 15A 125V, IEC-C13 LEFT ANGLE

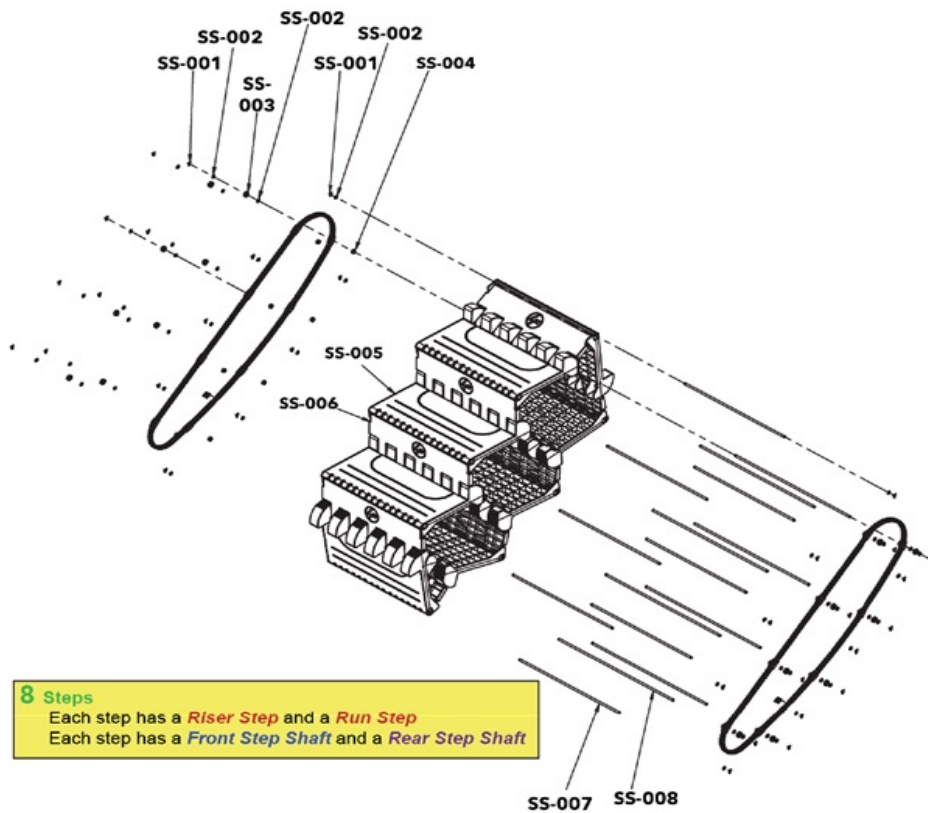
## Motor & Brake



Ref #	Part Number	Qty	Description
MB-001	9247900	1	PLATE; MTG; ENCODER
MB-002	9267200	1	ASSY; BEARING HUB BRAKE DRIVE
MB-003	9271300	1	PLATE; MTG; ENCODER ALIGNMENT
MB-004	9262700	1	PLATE BRAKE MTG
MB-005	9271900	1	BAR; STEEL; BASE, ENCODER MTG.
MB-006	9282800	1	PULLEY; MOTOR 1.37 O.D.
MB-007	9246100	1	FLYWHEEL; CAST IRON, V-RIBS
MB-008	9262100	1	PULLEY, 4IN DIA, 10 V-RIB
MB-009	0K58-01255-0000	4	Hardware: Insulating Washers
MB-010	0K58-01256-0001	2	Insulating Pad
MB-011	9248000	1	J SERIES, 7 RIB BELT
MB-012	9271700	4	WASHER; STEEL 8MM ID X 28MM OD X 2.5MM THK
MB-013	9282000	9	RETAINING RING: 12MM X 1MM
MB-014	9274700	2	RETAINING RING, 25MM SHAFT EXTERNAL
MB-015	9280000	1	KEY; 8MM X 7MM X 28MM LG OVAL
MB-016	9280100	1	KEY; .188 SQ X 1.85 IN LONG
MB-017	9285400	3	M8 X 1.0-6G6G X 60 DIN HEX L CS ST ZS
MB-018	9272800	3	SCREW; SHCS; M5-0.8 X 16 BZ
MB-019	9272100	2	SCREW; SHCS; 5MM X 25 BZ
MB-020	9282700	4	SCREW; SET M6-1 X 8 CUP POINT BZ
MB-021	0017-00101-1885	1	Hardware: Hex Bolt 1"
MB-022	9272300	2	SCREW; M5-0.8 X 8 PHL BTN BZ

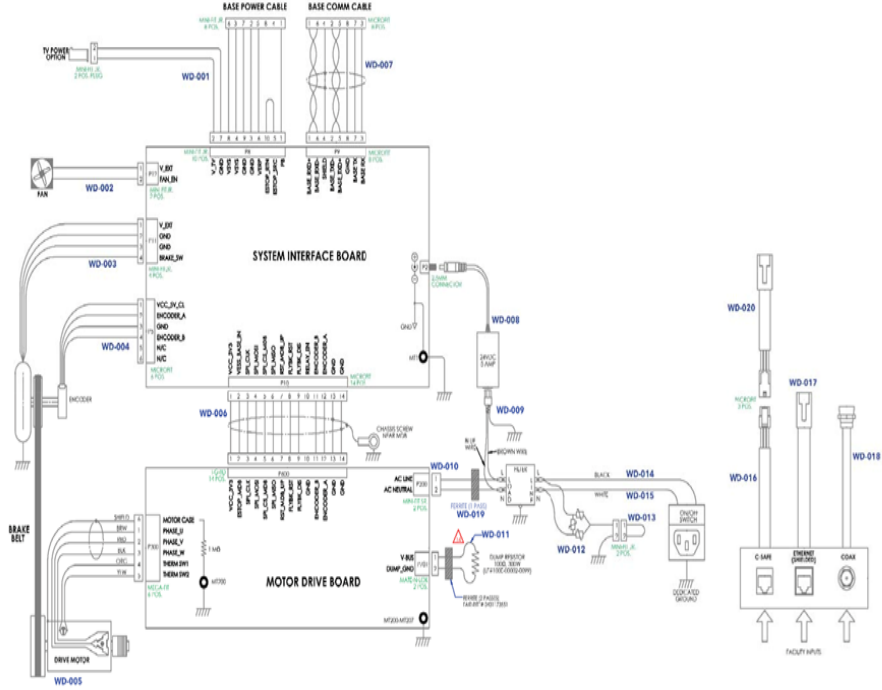
Ref #	Part Number	Qty	Description
MB-023	9272200	2	SCREW; M5-0.8 X 10 PHL PAN BZ
MB-024	0017-00103-0385	1	Hardware: Nut 5 MM ID
MB-025	0017-00103-0328	1	Hardware: Nut 8 MM ID
MB-026	9282400	4	M8 X 1.25 NUT; NYLON LOCKING DIN ST CZ
MB-027	1002167-0000	1	MOTOR: AC, 4HP, INDUCTION
MB-028	9246300	1	ELECTROMAGNETIC BRAKE
MB-029	9587500	1	KIT; ENCODER US Digital

# Step System



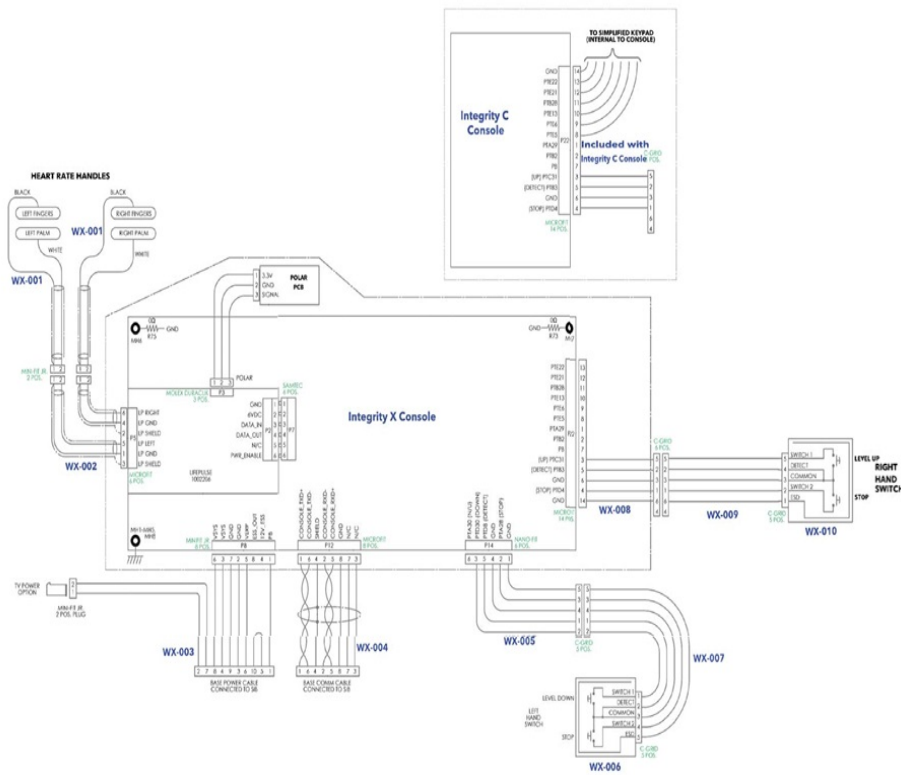
Ref #	Part Number	Qty	Description
SS-001	9258000	32	8MM CRIMP STYLE RETAINING RING
SS-002	9258100	48	WSHR: 8MM ID X 15MM OD
SS-003	9258400	16	BEARING; STEP SHAFTS
SS-004	9258300	16	SPACER STEP CHAIN
SS-005	9586900	8	STEP: TREAD
SS-006	9257800	8	STEP: RISER
SS-007	9587300	8	SHAFT; STEP FRONT
SS-008	9587400	8	SHAFT; STEP REAR

# Wiring Diagram - Base



Ref #	Part Number	Qty	Description
WD-001	1006547-0001	1	CBL ASSY: CONSOLE TO BASE, POWER
WD-002	9264300	1	CBL ASSY: FAN 1
WD-003	9246300	1	ELECTROMAGNETIC BRAKE
WD-004	9264100	1	CBL ASSY: ENCODER
WD-005	1002167-0000	1	MOTOR: AC, 4HP, INDUCTION
WD-006	1006548-0001	1	CBL ASSY: SIB -MDB
WD-007	1006544-0001	1	CBL ASSY; CONSOLE TO BASE, SIGNAL
WD-008	1004808-0001	1	POWER SUPPLY: 100-240VAC TO 24VDC, 5A, 2.5MM PLUG
WD-009	1006546-0001	1	CBL ASSY: LINE FILTER TO POWER SUPPLY
WD-010	1006549-0001	1	CBL ASSY: FILTER - MDB
WD-011	1007706-0001	1	ASSY: CBL RESISTOR
WD-012	9263500	1	CBL ASSY: MOV; FILTER
WD-013	9263600	1	CBL ASSY: HI-POT JUMPER
WD-014	1006543-0001	1	CBL ASSY: AC SWITCH TO FILTER, WHT
WD-015	1006542-0001	1	CBL ASSY: AC SWITCH TO FILTER BLK
WD-016	9264700	1	CBL ASSY: C-SAFE
WD-017	9264600	1	CBL ASSY: ETHERNET
WD-018	9264800	1	CBL ASSY: COAX
WD-019	121E-00001-0010	1	Electrical:Ferrite-Bead: Supression B
WD-020	9265800	1	CBL ASSY, C-SAFE EXTENSION

# Wiring Diagram - Console - Integrity X / Integrity C



Ref #	Part Number	Qty	Description
WX-001	9265500	1	CBL ASSY: LIFEPULSE, HANDLES
WX-002	1006545-0001	1	CBL ASSY: LIFEPULSE TO ELECTRODE
WX-003	1006547-0001	1	CBL ASSY: CONSOLE TO BASE, POWER
WX-004	1006544-0001	1	CBL ASSY; CONSOLE TO BASE, SIGNAL
WX-005	1006550-0001	1	CBL ASSY: CONSOLE BASE KEYPADS
WX-006,W X-010	GK98-00002-0000	2	KIT: POWERMILL BUTTON REPLACEMENT
WX-007	9265200	1	CBL ASSY: SWITCH_A
WX-008	1006734-0001	1	CBL ASSY: CONSOLE TO KEYPAD GO/STOP
WX-009	9265300	1	CBL ASSY: SWITCH_B

