

95Ri Recumbent Lifecycle - Lifepulse

95R-0100-01

Parts Manual

1/5/2019 9:57:28 AM

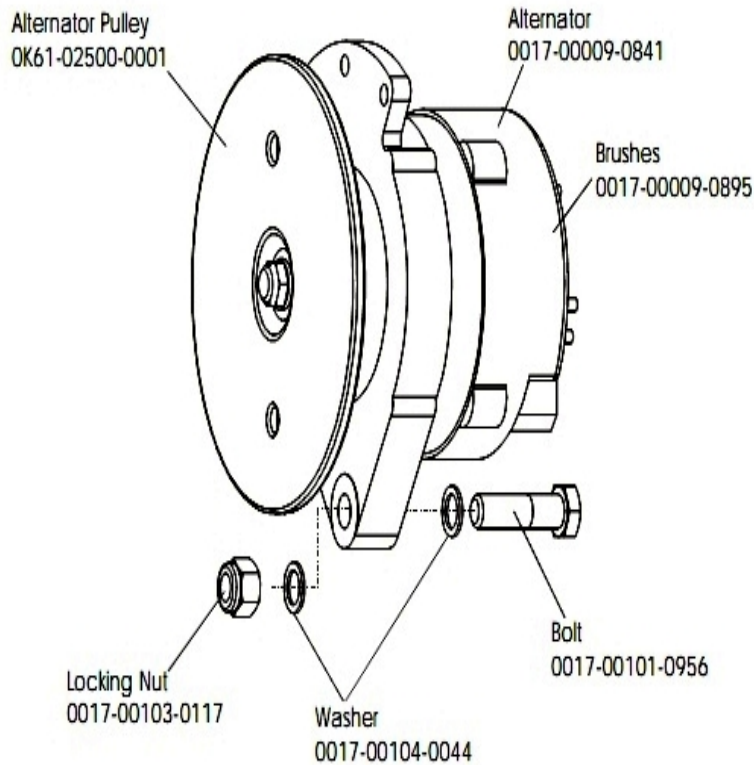


LifeFitness
WHAT WE LIVE FOR

Table of Contents

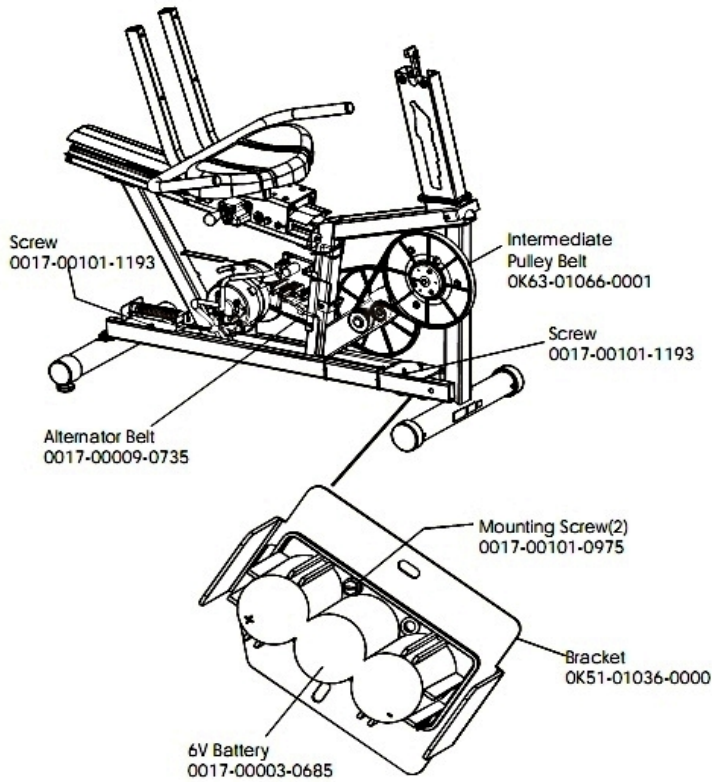
[Alternator Assembly](#).....3
[Belts and 6V Battery](#).....4
[Cables](#).....5
[Console Assembly](#).....6
[Console Support Assembly](#).....7
[Crankshaft and Bearing Assembly](#).....8
[Extrusion Assembly](#).....9
[General Assembly](#).....10
[Idler Bracket](#).....11
[Intermediate Shaft and Bearing Assembly](#).....12
[Locking Assembly](#).....13
[Power Control Board](#).....14
[Resistor Assembly](#).....15
[Seat Assembly](#).....16
[Seat Bottom Assembly](#).....17
[Seat Frame Assembly](#).....18
[Seat Pads and Accessory Tray](#).....19
[Shrouds, End Cap and Crank Arm](#).....20
[Wheel and Leveler](#).....21

Alternator Assembly



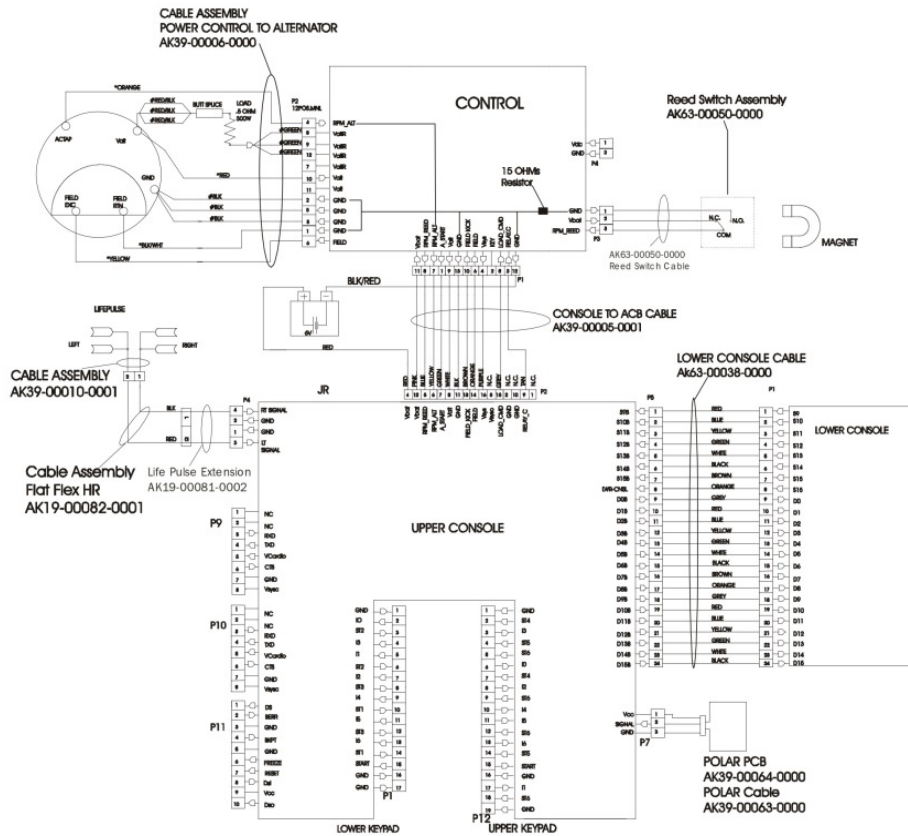
Ref #	Part Number	Qty	Description
-	OK61-01027-0000	1	Flywheel: 6.75" D
-	0017-00103-0117	1	Hardware: Locking Nut 1/2" ID
-	AK63-00093-0000	1	Alternator w/Pulley
-	0017-00101-0956	1	Hardware: Bolt 2"
-	0017-00104-0044	2	Hardware: Washer 0.75" OD
-	0017-00009-0841	1	Alternator
-	0017-00009-0895	1	Alternator Brush Kit

Belts and 6V Battery



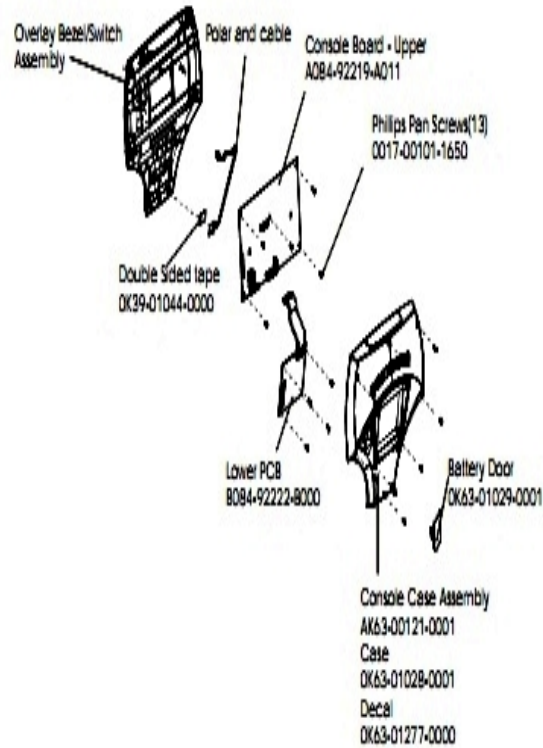
Ref #	Part Number	Qty	Description
-	GK63-00002-0079	1	Kit: Upright/Rec Belt And Pulley
-	0017-00101-0975	2	Hardware: Mounting Bolt 0.375"
-	0017-00101-1193	2	Hardware: Screw 0.375"
-	OK51-01036-0000	1	Battery Bracket
-	0017-00009-1324	1	Belt: Poly-V; 49.00 IN
-	0017-00003-0685	1	6V Battery

Cables



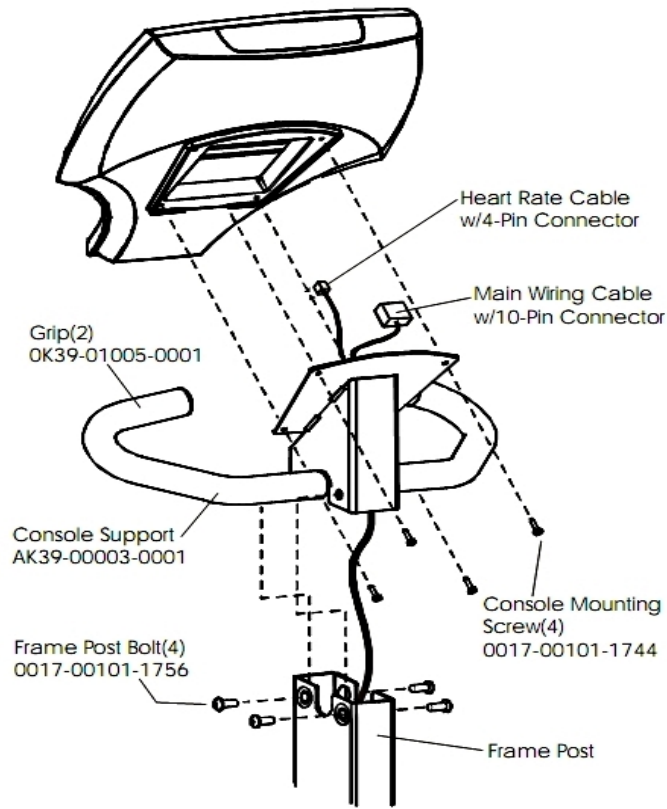
Ref #	Part Number	Qty	Description
-	AK63-00038-0000	1	Lower Console Cable
-	AK39-00063-0000	1	Polar Cable
-	AK39-00005-0001	1	10-Pin Connector Main Wiring Cable
-	AK39-00006-0000	1	Power Cable
-	118E-00001-0259	1	Wireless Receiver Module, Non-Coded
-	AK39-00010-0000	1	Cable Assembly: 2-sensor Handlebar
-	AK63-00050-0000	2	Reed Switch Bracket Assembly
-	AK19-00081-0002	1	Life Pulse Extension
-	AK19-00082-0001	1	Flat Flex Cable

Console Assembly



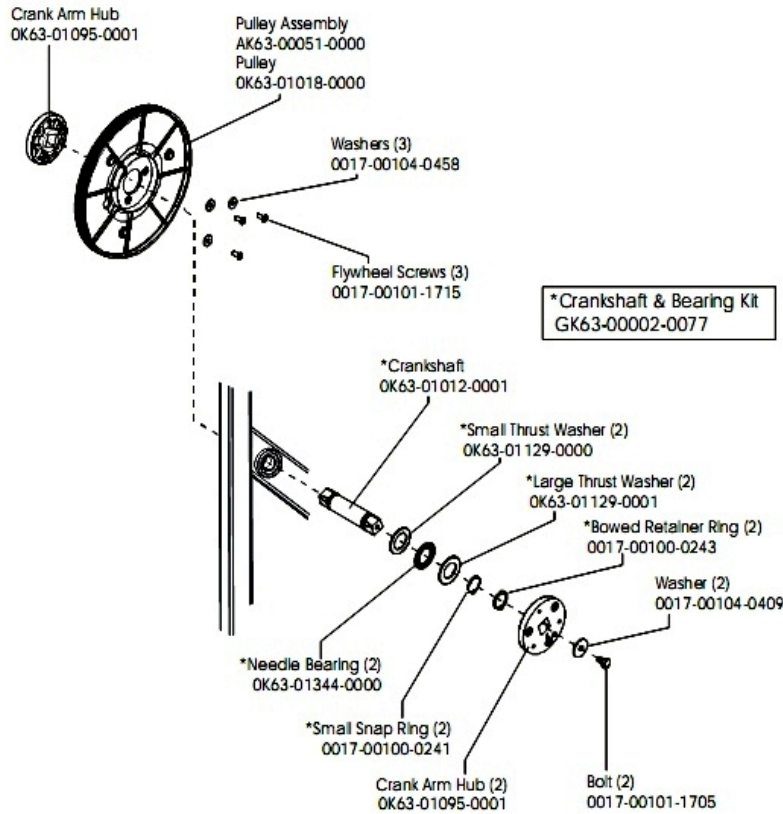
Ref #	Part Number	Qty	Description
-	B084-92222-B000	1	Console Board - Lower
-	A084-92219-A011	1	Console Board - Upper
-	OK39-01044-0000	1	Tape
-	AK39-00070-0001	1	Console English Metric
-	OK63-01028-0001	1	Case
-	0017-00101-1650	13	Hardware: Phillips Pan Screw 0.375"
-	AK63-00165-0001	1	Bezel/Switch with Overlay English Metric
-	AK63-00121-0001	1	Console Case Assembly
-	OK63-01029-0001	1	Battery Door
-	OK63-01277-0000	1	Console Decal

Console Support Assembly



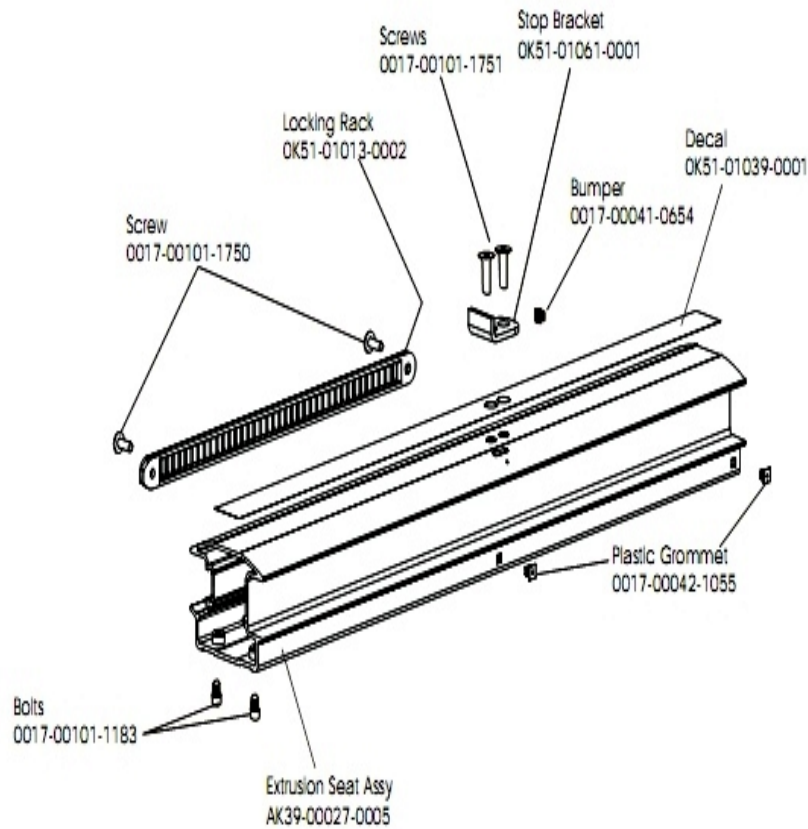
Ref #	Part Number	Qty	Description
-	0017-00101-1756	4	Hardware: Frame Post Bolt 0.75"
-	AK39-00003-0001	1	Console Support
-	0017-00101-1744	4	Hardware: Phillips Pan Screw
-	OK39-01005-0001	2	Grip

Crankshaft and Bearing Assembly



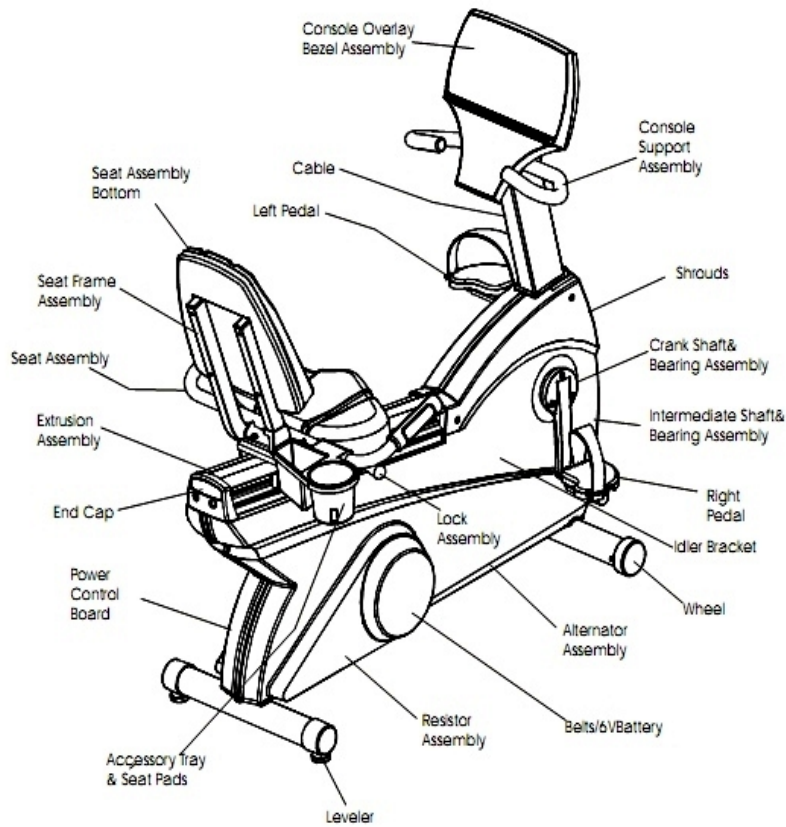
Ref #	Part Number	Qty	Description
-	OK63-01018-0000	1	Crank Pulley
-	GK63-00002-0077	1	Crankshaft and Bearing Kit
-	OK63-01095-0001	3	Crank Arm Hub
-	0017-00100-0243	2	Hardware: Bowed Retaining Ring .984"
-	AK63-00051-0000	1	Pulley Assembly
-	0017-00100-0241	2	Hardware: Small Snap Ring .984"
-	0017-00104-0409	2	Hardware: Washer 1.125" OD
-	OK63-01344-0000	2	Hardware: Needle Bearing
-	0017-00101-1705	2	Hardware: Bolt 0.5"
-	OK63-01129-0001	2	Hardware: Large Thrust Washer
-	0017-00104-0458	3	Hardware: Flat Washer 0.75" OD
-	OK63-01129-0000	2	Hardware: Small Thrust Washer
-	OK63-01012-0001	1	Crankshaft
-	0017-00101-1715	3	Hardware: TORX Cap Screw 0.625"

Extrusion Assembly



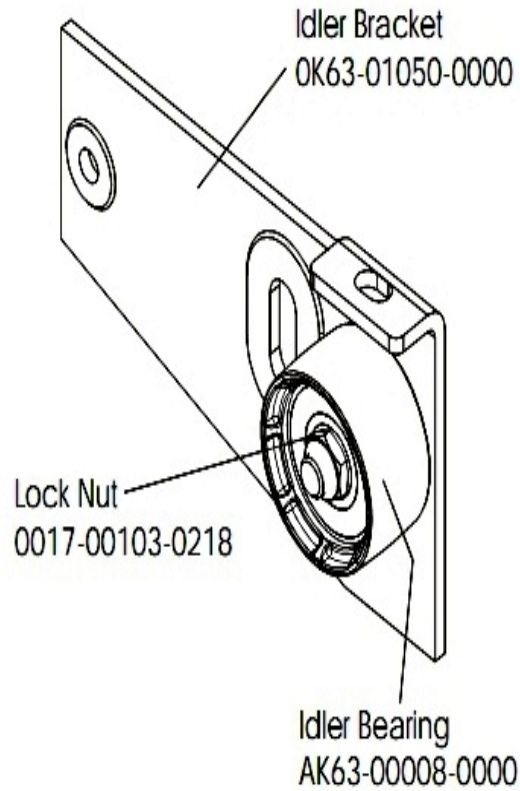
Ref #	Part Number	Qty	Description
-	0017-00041-0654	1	Bumper
-	AK39-0027-0005	1	Extrusion Seat Assembly
-	0017-00101-1751	2	Hardware: Screw 1"
-	OK51-01013-0002	1	Locking Rack
-	0017-00101-1183	2	Hardware: Bolt 0.75"
-	0017-00101-1750	2	Hardware: Screw 0.75"
-	OK51-01039-0001	1	Decal
-	OK51-01061-0001	1	Stop Bracket
-	0017-00042-1055	2	Hardware: Plastic Grommet

General Assembly



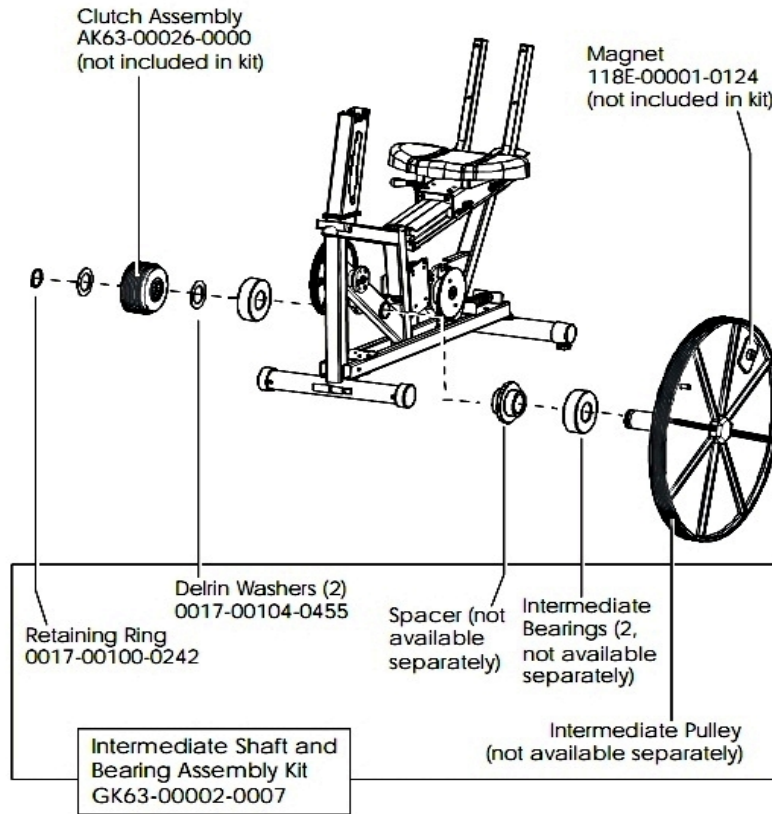
Ref #	Part Number	Qty	Description
-	GK39-00002-0008	1	Hardware Bag
-	GK39-00002-0002	1	Power Option Kit 120V

Idler Bracket



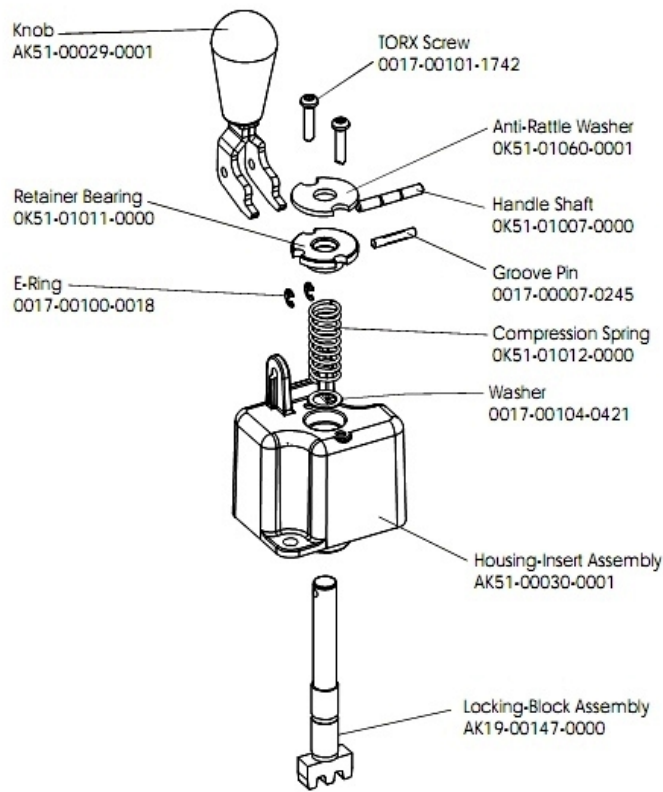
Ref #	Part Number	Qty	Description
-	AK63-00008-0000	1	Idler w/Bearing
-	OK63-01050-0000	1	Idler Bracket
-	AK63-00021-0000	1	Idler Bracket Assembly
-	0017-00103-0218	1	Hardware: Lock Nut 3/8" ID

Intermediate Shaft and Bearing Assembly



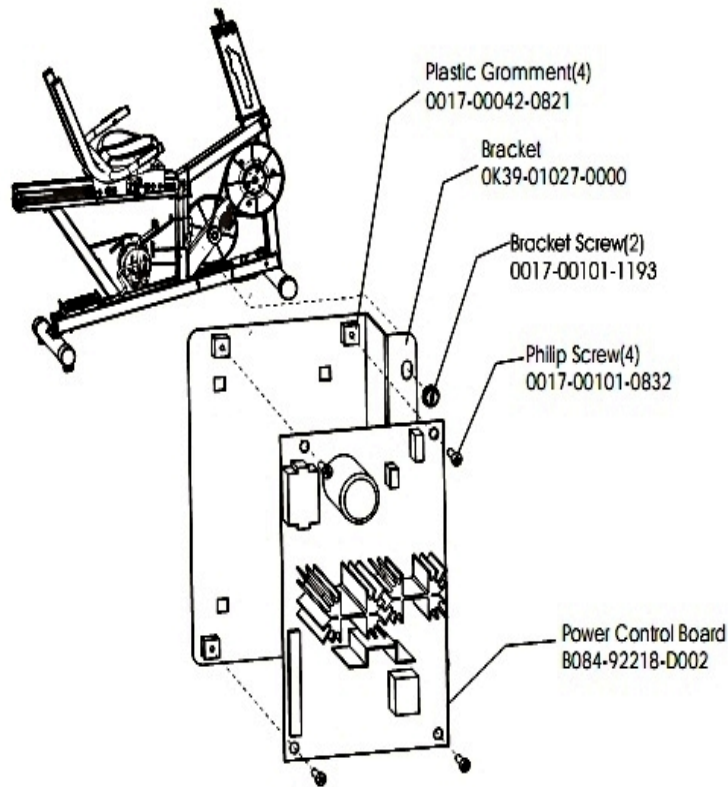
Ref #	Part Number	Qty	Description
-	GK63-00002-0007	1	Intermediate Shaft and Bearing Assembly
-	0017-00100-0242	1	Hardware: Retaining Ring .781"
-	118E-00001-0124	1	Auto-Start Magnet
-	0017-00104-0455	2	Hardware: Delrin Washer 1.250" OD
-	GK63-00002-0079	1	Kit: Upright/Rec Belt And Pulley

Locking Assembly



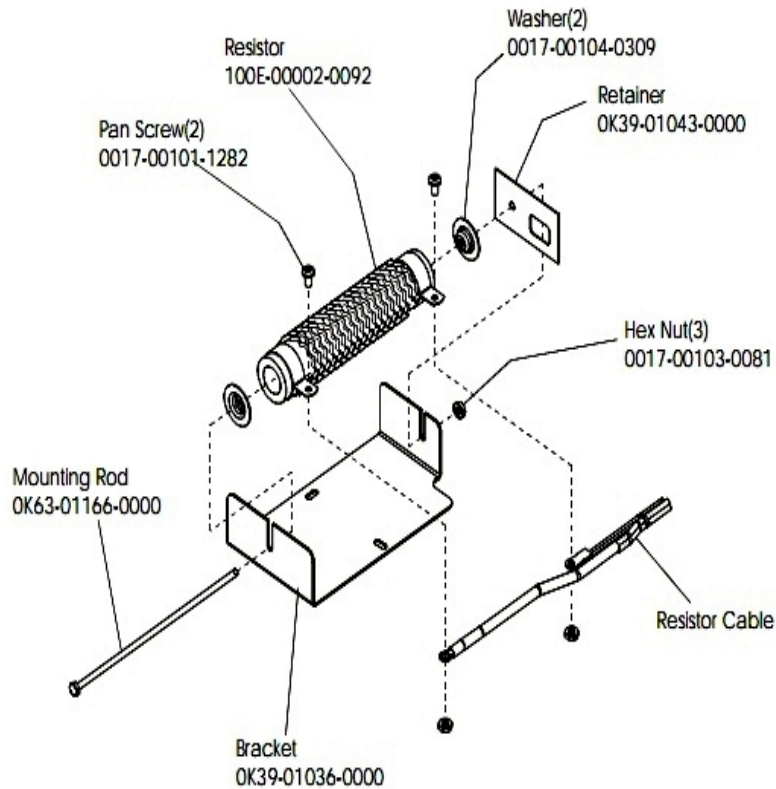
Ref #	Part Number	Qty	Description
-	0017-00007-0245	1	Hardware: Groove Pin 5/32" D 1.75" L
-	AK51-00053-0001	1	Lock Assembly
-	0017-00101-1742	2	Hardware: TORX Screw 0.75"
-	AK19-00147-0000	1	Locking-Block Assembly
-	AK51-00030-0001	1	Housing-Insert Assembly
-	OK51-01060-0001	1	Hardware: Anti-Rattle Washer
-	0017-00100-0018	2	Hardware: E-Ring .188"
-	0017-00104-0421	1	Hardware: Flat Washer 0.64" OD
-	AK51-00029-0001	1	Knob
-	OK51-01007-0000	1	Handle Shaft
-	OK51-01012-0000	1	Compression Spring
-	OK51-01011-0000	1	Hardware: Retainer Bearing

Power Control Board



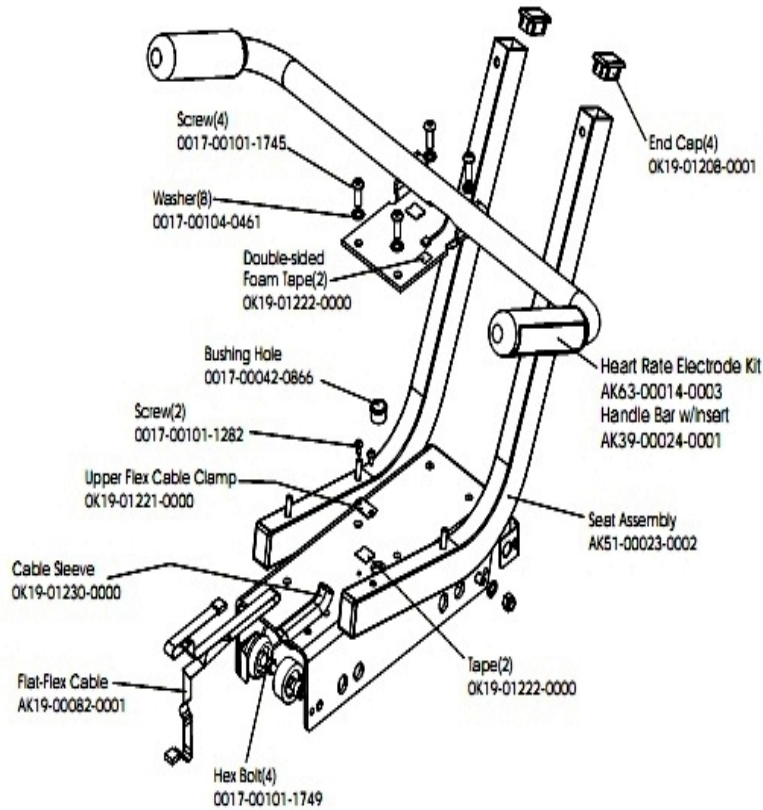
Ref #	Part Number	Qty	Description
-	0017-00042-0821	4	Hardware: Plastic Grommet
-	0K39-01027-0000	1	PCB Bracket
-	0017-00101-0832	4	Hardware: Mounting Bolt. 1"
-	B084-92218-0000	1	PCB Circuit Board

Resistor Assembly



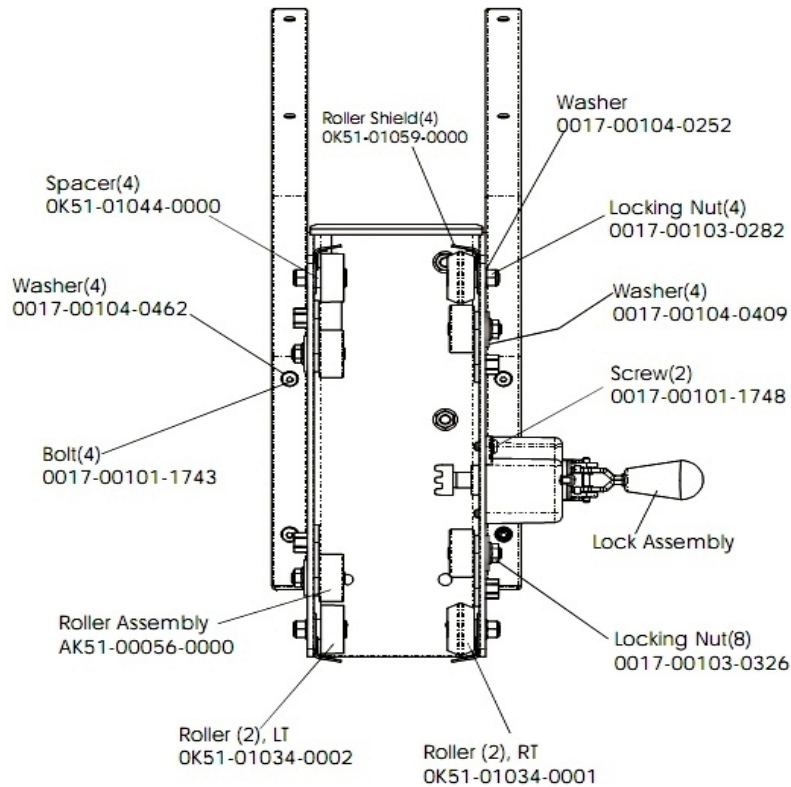
Ref #	Part Number	Qty	Description
-	0017-00103-0081	3	Hardware: Hex Nut ID
-	100E-00002-0092	1	Resistor .5 OHM 240 Watt
-	0017-00101-1282	2	Hardware: TORX Screw 0.375"
-	OK39-01036-0000	1	Resistor Bracket
-	OK63-01166-0000	1	Resistor Mounting Rod
-	OK39-01043-0000	1	Resistor Retainer
-	0017-00104-0309	2	Hardware: Washer 1.12" OD

Seat Assembly



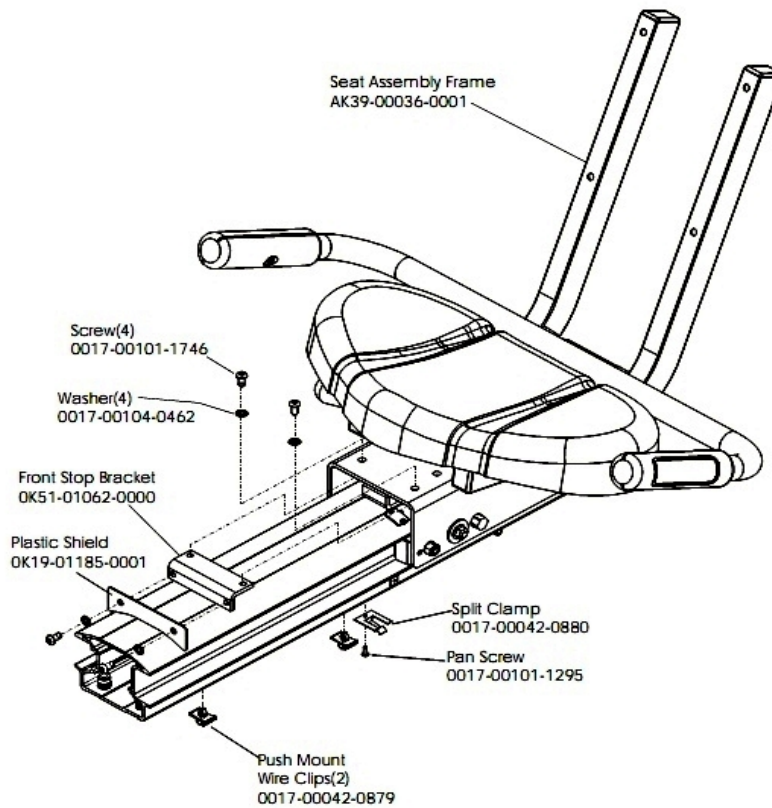
Ref #	Part Number	Qty	Description
-	AK19-00082-0001	1	Flat Flex Cable
-	0017-00042-0866	1	Hardware: Hole Bushing - 3/4"
-	OK19-01208-0001	4	End Cap
-	OK19-01221-0000	1	Hardware: Upper Flex Cable Clamp
-	0017-00101-1749	4	Hardware: Hex Bolt 1.25"
-	0017-00104-0461	8	Hardware: Flat Washer 0.602" OD
-	AK63-00014-0003	1	Heart Rate Electrode
-	OK19-01230-0000	1	Cable Sleeve
-	AK51-00023-0002	1	Seat Assembly
-	AK39-00024-0001	1	Handlebar with Insert
-	0017-00101-1282	2	Hardware: TORX Screw 0.375"
-	0017-00101-1745	4	Hardware: Screw 0.875"
-	OK19-01222-0000	4	Double-sided Foam Tape

Seat Bottom Assembly



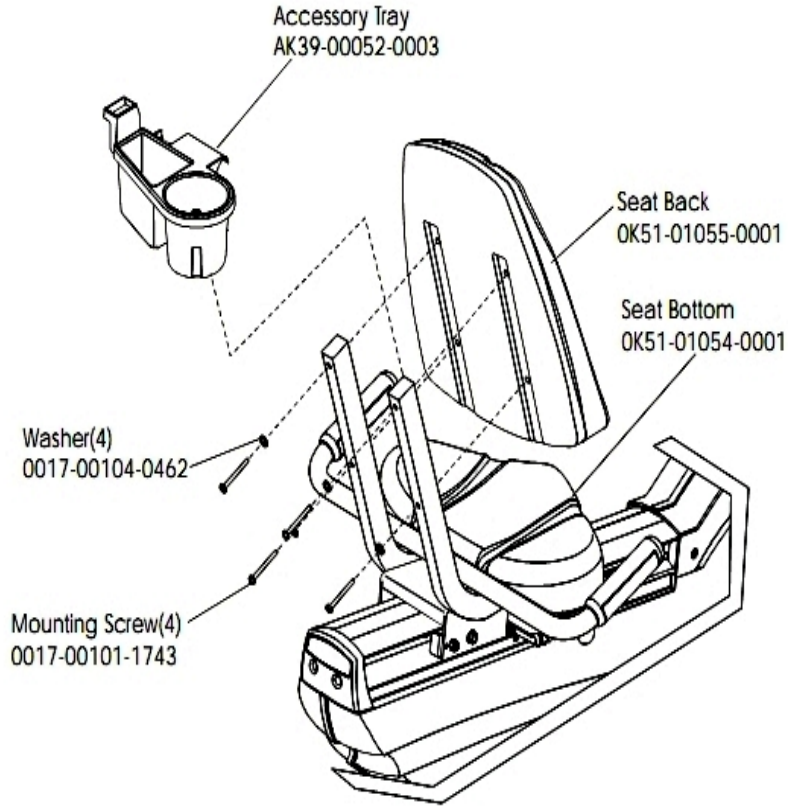
Ref #	Part Number	Qty	Description
-	0017-00101-1743	4	Hardware: Mounting Screw 2.25"
-	OK51-01034-0001	2	Seat Roller: Right
-	OK51-01034-0002	2	Seat Roller: Left
-	0017-00104-0462	4	Hardware: Flat Washer 0.478" OD
-	0017-00104-0409	4	Hardware: Washer 1.125" OD
-	AK51-00056-0000	1	Roller Assembly
-	0017-00104-0252	1	Hardware: Washer
-	0017-00103-0282	4	Hardware: Locking Nut 5/16" ID
-	OK51-01059-0000	4	Roller Guard
-	0017-00103-0326	8	Hardware: Locking Nut 5/16" ID
-	OK51-01044-0000	4	Roller Spacer
-	0017-00101-1748	2	Hardware: Screw 0.5"

Seat Frame Assembly



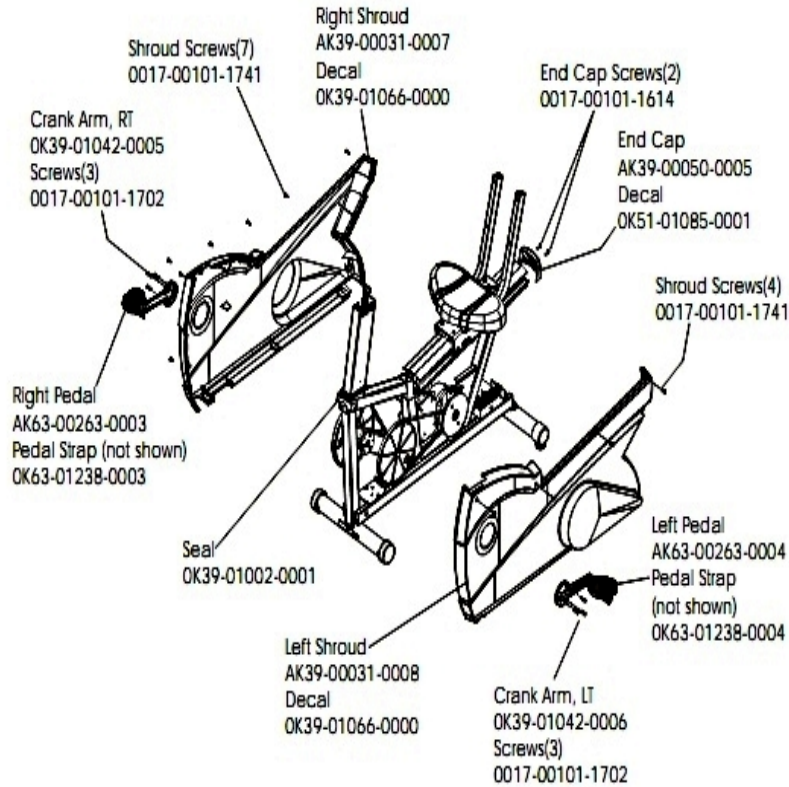
Ref #	Part Number	Qty	Description
-	0017-00101-1295	1	Hardware: Pan Screw 0.375"
-	0017-00101-1746	4	Hardware: Console Support Cap Screw
-	0017-00042-0879	2	Hardware: Push Mount Wire Clip
-	OK51-01062-0000	1	Front Stop Bracket
-	0017-00042-0880	1	Hardware: Split Clamp
-	AK39-00036-0001	1	Seat Assembly Frame
-	0017-00104-0462	4	Hardware: Flat Washer 0.478" OD
-	OK19-01185-0001	1	Plastic Shield

Seat Pads and Accessory Tray



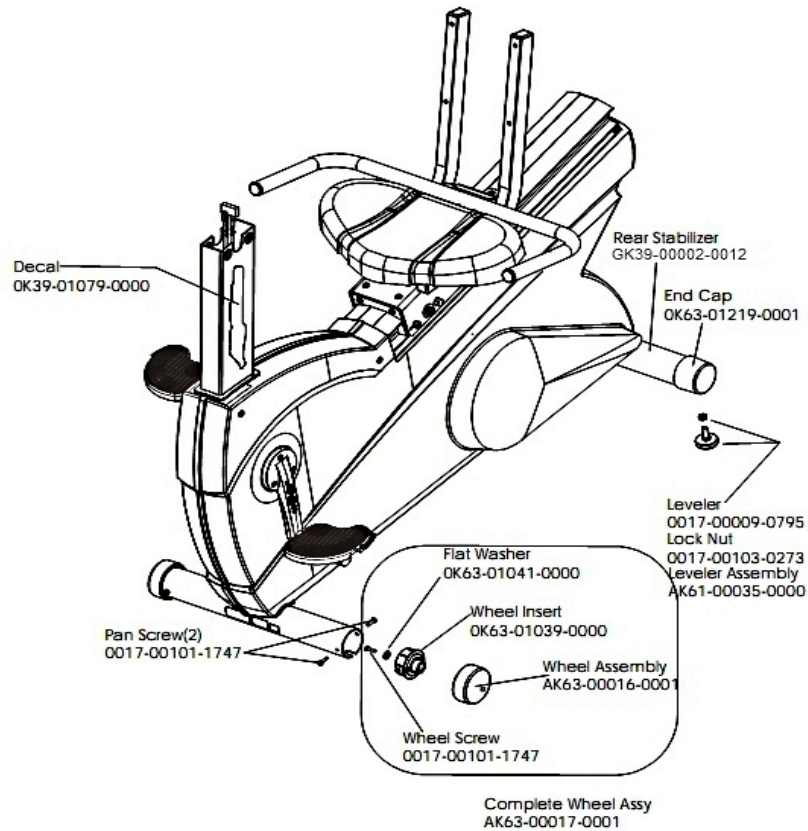
Ref #	Part Number	Qty	Description
-	OK51-01055-0001	1	Seat Back
-	AK39-00052-0003	1	Accessory Tray
-	0017-00101-1743	4	Hardware: Mounting Screw 2.25"
-	0017-00104-0462	4	Hardware: Flat Washer 0.478" OD
-	OK51-01054-0001	1	Seat Bottom

Shrouds, End Cap and Crank Arm



Ref #	Part Number	Qty	Description
-	OK63-01238-0003	1	Right Pedal Strap
-	0017-00101-1702	6	Hardware: Screw
-	AK63-00263-0003	1	Pedal: Right
-	AK39-00031-0008	1	Shroud with Decal - Left
-	OK39-01042-0005	1	Crank Arm Right
-	AK39-00050-0005	1	End Cap
-	OK63-01238-0004	1	Left Pedal Strap
-	0017-00101-1741	11	Hardware: Screw
-	0017-00101-1614	2	Hardware: Screw 0.625"
-	OK39-01066-0000	2	Decal
-	OK39-01042-0006	1	Crank Arm Left
-	AK39-00031-0007	1	Shroud with Decal - Right
-	OK51-01085-0001	1	Decal
-	AK63-00263-0004	1	Pedal: Left
-	OK39-01002-0001	1	Gasket

Wheel and Leveler



Ref #	Part Number	Qty	Description
-	OK63-01041-0000	2	Hardware: Flat Washer
-	GK39-00002-0012	1	Rear Stabilizer
-	OK63-01039-0000	2	Wheel Insert
-	0017-00103-0273	2	Hardware: Hex Nut 3/8" ID
-	OK63-01219-0001	2	End Cap
-	OK39-01079-0000	2	Decal
-	AK61-00035-0000	2	Leg Leveler
-	AK63-00016-0001	2	Wheel/Bearing Assembly
-	AK63-00017-0001	2	Front Wheel Assembly
-	0017-00101-1747	6	Hardware: Pan Screw 0.75"
-	0017-00009-0795	2	Leg Leveler

