

Elevation Series - 95R Recumbent Lifecycle Exercise Bike

95R-ALLXX-02-A

Parts Manual

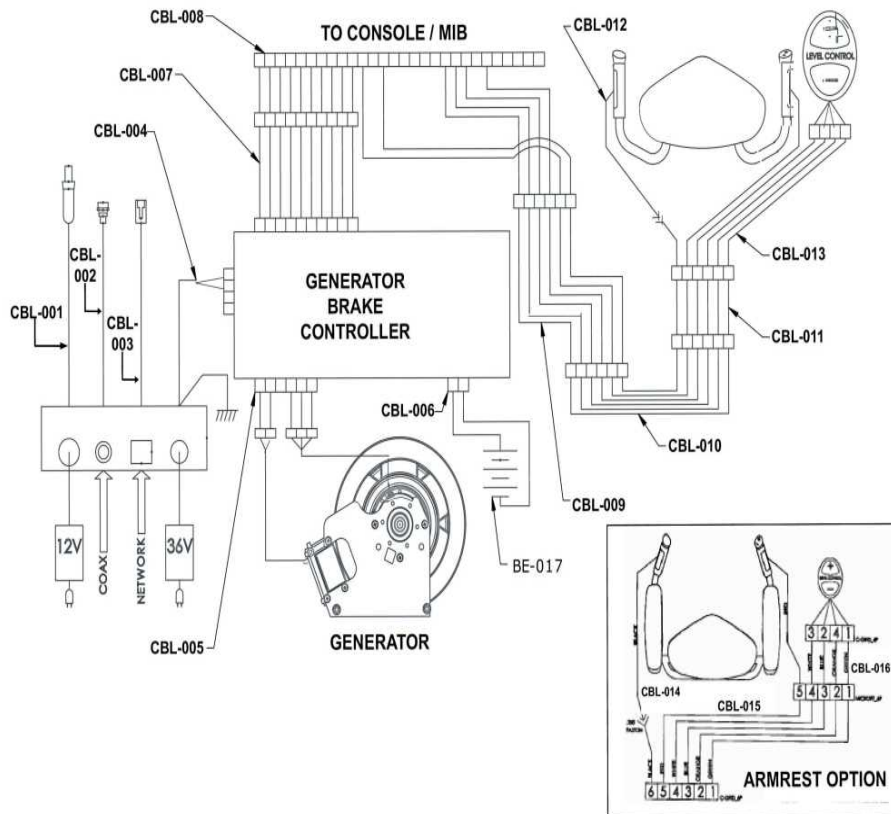
1/5/2019 10:07:30 AM



Table of Contents

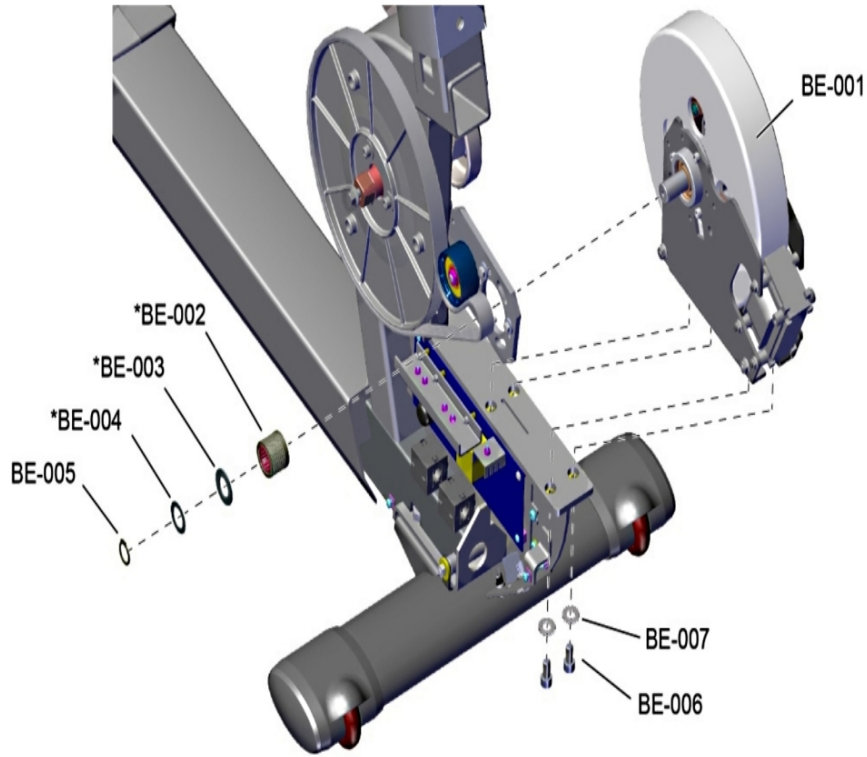
| | |
|---|----|
| Base Frame Electronics - Cables..... | 3 |
| Base Frame Electronics - Generator and GBC Assembly..... | 4 |
| Drive System - Idler Assembly..... | 6 |
| Drive System - Pedals and Cranks..... | 7 |
| Drive System - Pully and Belt..... | 8 |
| Heart Rate System - Seat Handle Components..... | 9 |
| Lower Frame - Battery and Power Pack Assembly..... | 10 |
| Lower Frame - Front Stabilizer, Leg Leveler and Components..... | 11 |
| Miscellaneous..... | 12 |
| Seat Assembly - Carriage Assembly..... | 13 |
| Seat Assembly - Extrusion Assembly..... | 14 |
| Seat Assembly - Optional Recumbent Arm Rests..... | 15 |
| Seat Assembly - Seat Pad and Back Pad..... | 16 |
| Upper Frame - Monocolumn Assembly..... | 17 |
| Upper Frame - Shrouds..... | 18 |

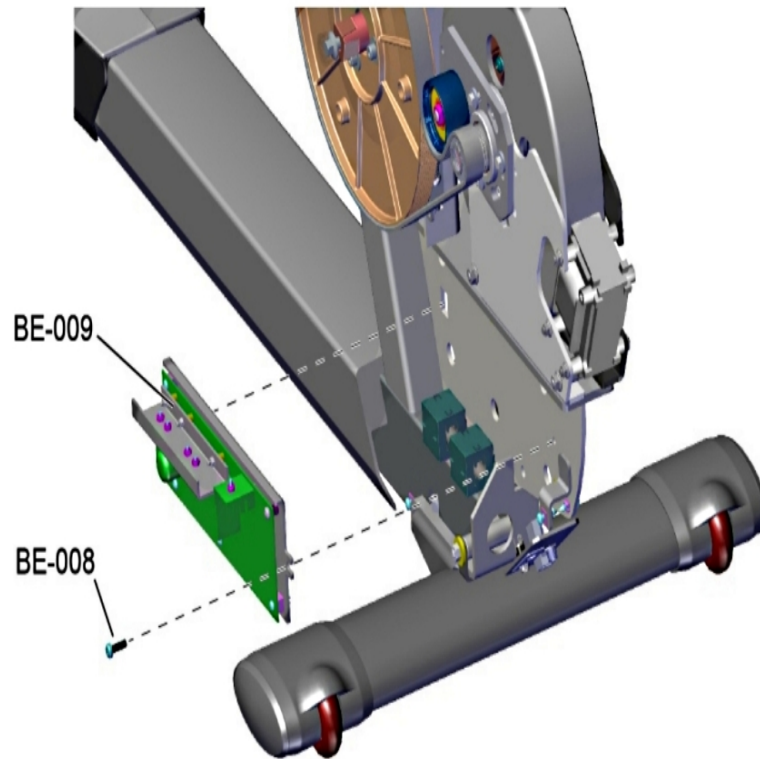
Base Frame Electronics - Cables



| Ref # | Part Number | Qty | Description |
|--------|-----------------|-----|--|
| CB-001 | AK32-00160-0000 | 1 | Ext Power Cable with Ferrite |
| CB-002 | AK65-00062-0000 | 1 | Cable: Coax RG6 Base |
| CB-003 | AK65-00051-0001 | 1 | C-safe Network Cable 65" |
| CB-004 | AK67-00108-0000 | 1 | External Power Cable |
| CB-005 | AK66-00107-0000 | 1 | Generator/Brake Cable |
| CB-006 | AK66-00109-0000 | 1 | Battery cable: Recumbent |
| CB-007 | AK66-00106-0000 | 1 | PCB to Console Cable: Recumbent |
| CB-008 | AK66-00105-0000 | 1 | Console/Handlebar Cable - Recumbent Bike |
| CB-009 | AK66-00104-0000 | 1 | Keypad/LifePulse Cable |
| CB-010 | AK66-00103-0000 | 1 | Flat Flex Cable Seat Adjustment |
| CB-011 | AK66-00111-0000 | 1 | Carriage Cable: Recumbent |
| CB-012 | AK66-00101-0000 | 1 | Cable: Handlebar; Recumbent |
| CB-013 | AK66-00102-0000 | 1 | Cable: Carriage Recumbent |
| CB-014 | AK66-00101-0001 | 1 | Cable Assembly: Armrest; Recumbent |
| CB-015 | AK66-00179-0000 | 1 | CABLE ASSY: LIFEPULSE, RECUMBENT ARMREST, RIGHT TUBE |
| CB-016 | AK66-00180-0000 | 1 | CABLE ASSY: LIFEPULSE, RECUMBENT ARMREST/SWITCH, RIGHT |

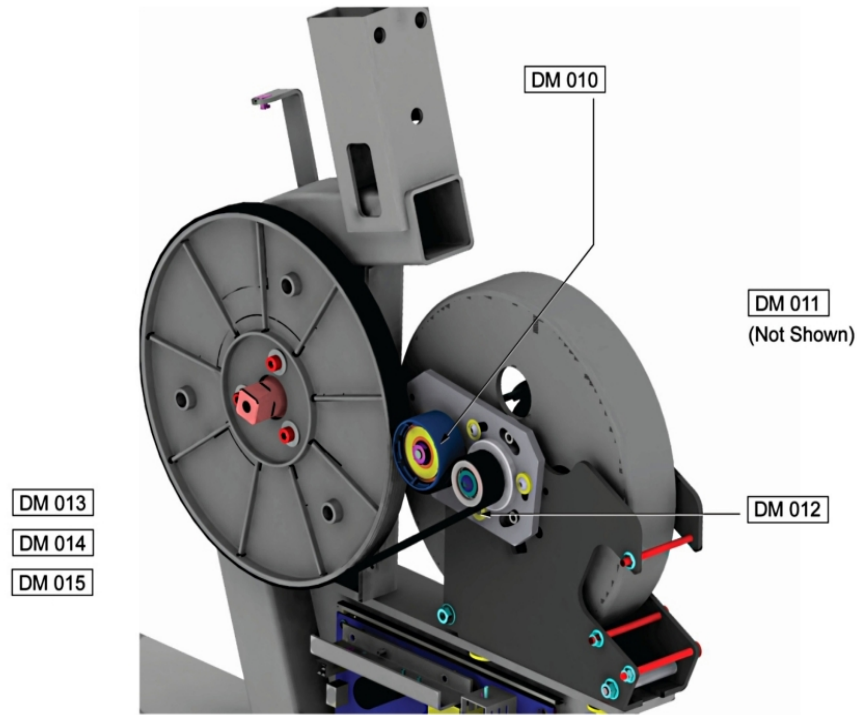
Base Frame Electronics - Generator and GBC Assembly





| Ref # | Part Number | Qty | Description |
|--------|-----------------|-----|---------------------------------------|
| BE-001 | AK66-00138-0001 | 1 | GEN/BRAKE: EXT. PURCH. |
| BE-002 | AK66-00139-0000 | 1 | Clutch and Pulley Assembly |
| BE-003 | 0K66-01237-0000 | 1 | Hardware: Shaft Washer Large |
| BE-004 | 0017-00104-0498 | 1 | Hardware: Shaft Washer Small .734' OD |
| BE-005 | 0017-00100-0257 | 1 | Retaining Ring |
| BE-006 | 0017-00101-1920 | 4 | Hardware: Mounting Screw 16MM |
| BE-007 | 0017-00104-0479 | 4 | Hardware: Flat Washer 25.4MM OD |
| BE-008 | 0017-00101-1986 | 1 | Hardware: Mounting Screw 16MM |
| BE-009 | AK66-00100-0006 | 1 | PWR-PCB BRKT ASSY W/ SOFTWARE |

Drive System - Idler Assembly



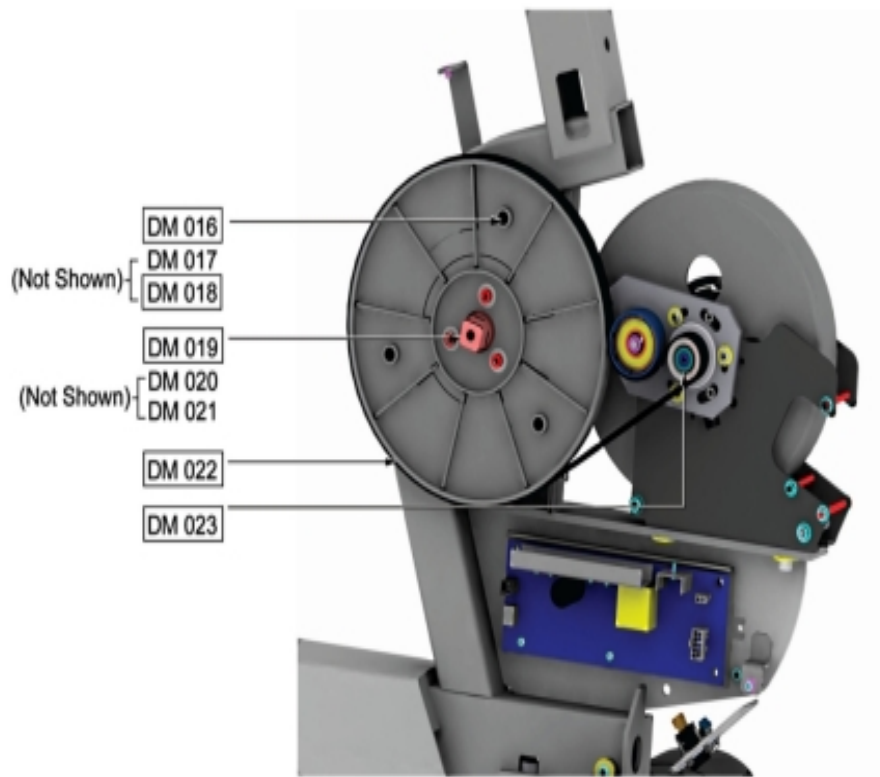
| Ref # | Part Number | Qty | Description |
|-------------------|-----------------|-----|---|
| DM-010,D M-014 | AK66-00145-0000 | 2 | Idler Assembly |
| DM-011 | 0K66-01092-0000 | 1 | Idler Spring |
| DM-012 | 0017-00101-1894 | 1 | Hardware: Idler Assembly Mounting Bolt 16MM |
| DM-013 | AK66-00122-0000 | 1 | Idler Bracket |
| DM-015 | 0017-00103-0338 | 1 | Hardware: Hex Nut 8 MM |

Drive System - Pedals and Cranks



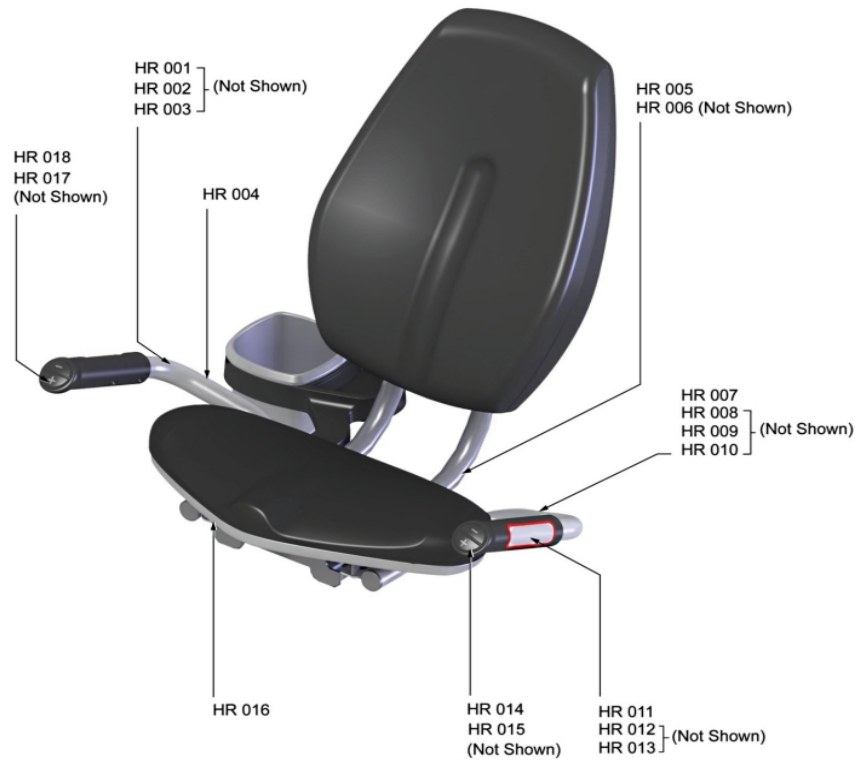
| Ref # | Part Number | Qty | Description |
|--------|-----------------|-----|-------------------------------|
| DM-001 | 0K76-01054-0000 | 1 | Right Crank Arm |
| DM-002 | 0K76-01053-0000 | 1 | Left Crank Arm |
| DM-003 | AK66-00047-0001 | 1 | Right Pedal W/ Strap Assembly |
| DM-004 | AK66-00048-0001 | 1 | Left Pedal W/ Strap Assembly |
| DM-007 | 0K66-01096-0000 | 2 | Crank Connector Plate |
| DM-008 | 0K66-01121-0000 | 2 | Crank Cap |
| DM-009 | 0017-00101-2043 | 2 | Hardware: Crank Screw 25MM |
| DM-009 | 0017-00101-2077 | 2 | Hardware: Screw 30MM |

Drive System - Pulley and Belt



| Ref # | Part Number | Qty | Description |
|-------------------|-----------------|-----|----------------------------------|
| DM-016 | 0K66-01005-0000 | 1 | Crank Pulley |
| DM-017,D M-018 | 0017-00101-1891 | 2 | Hardware: Mounting Screw 16MM |
| DM-019 | AK66-00003-0001 | 1 | Crank/Hub Bearing Shaft Assembly |
| DM-020 | 0017-00101-1881 | 1 | Hardware: Screw 20 MM |
| DM-021 | 0017-00104-0469 | 1 | Hardware: Flat Washer 16MM OD |
| DM-022 | 0017-00009-0837 | 1 | Poly-V Drive Belt |
| DM-023 | AK66-00139-0000 | 1 | Clutch and Pulley Assembly |

Heart Rate System - Seat Handle Components



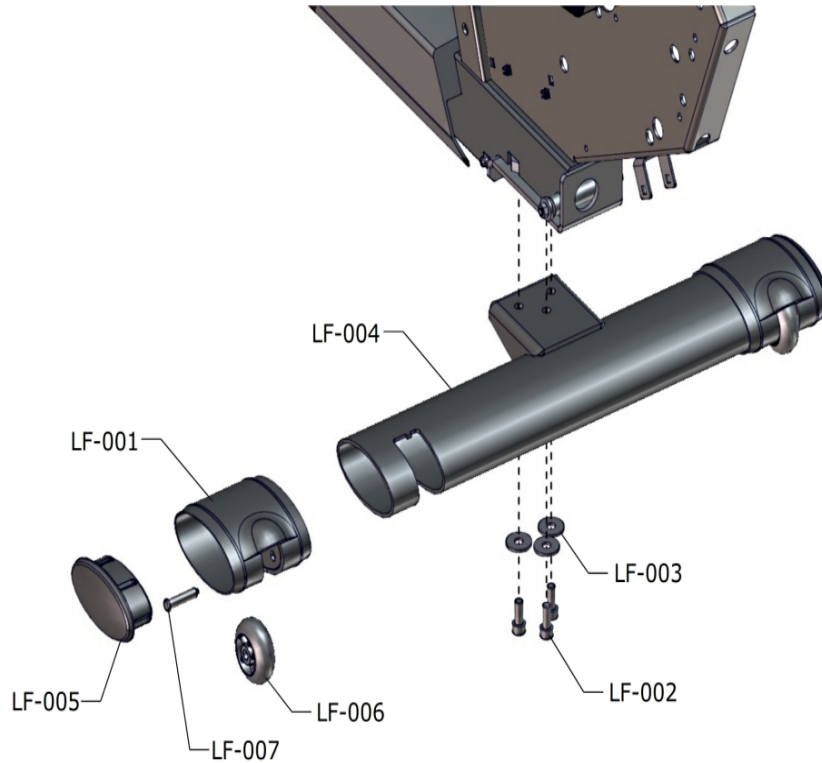
| Ref # | Part Number | Qty | Description |
|----------------------|-----------------|-----|--|
| HR-001 | AK66-00102-0000 | 1 | Cable: Carriage Recumbent |
| HR-002,HR-006,HR-009 | 0017-00101-1881 | 3 | Hardware: Screw 20 MM |
| HR-003,HR-010 | 0017-00104-0469 | 2 | Hardware: Flat Washer 16MM OD |
| HR-004,HR-005,HR-007 | GK66-00002-0007 | 3 | KIT: ELEVATION REC HANDLEBAR/SEAT FRAME CONV |
| HR-008 | AK66-00101-0000 | 1 | Cable: Handlebar; Recumbent |
| HR-011 | AK63-00014-0004 | 1 | Heart Rate Electrode |
| HR-012 | 0K66-01141-0000 | 1 | Insulator Plug |
| HR-013 | 0017-00101-1720 | 1 | Hardware: Mounting Screw 1" |
| HR-014 | 0K69-01166-0000 | 1 | Dummy End Cap |
| HR-015,HR-017 | 0017-00101-2032 | 2 | Hardware: Mounting Screw |
| HR-016 | 0K66-01143-0000 | 1 | Seat Frame End Cap - 1.125" |
| HR-018 | AK69-00100-0000 | 1 | Resistance Level Button Assembly |

Lower Frame - Battery and Power Pack Assembly



| Ref # | Part Number | Qty | Description |
|--------|-----------------|-----|------------------------------------|
| LF-008 | 0017-00003-0685 | 1 | 6V Battery |
| LF-009 | 0017-00101-1796 | 1 | Hardware: Mounting Screw 19 MM |
| LF-010 | AK66-00036-0000 | 1 | Bracket Assembly: Power/Coax Input |

Lower Frame - Front Stabilizer, Leg Leveler and Components

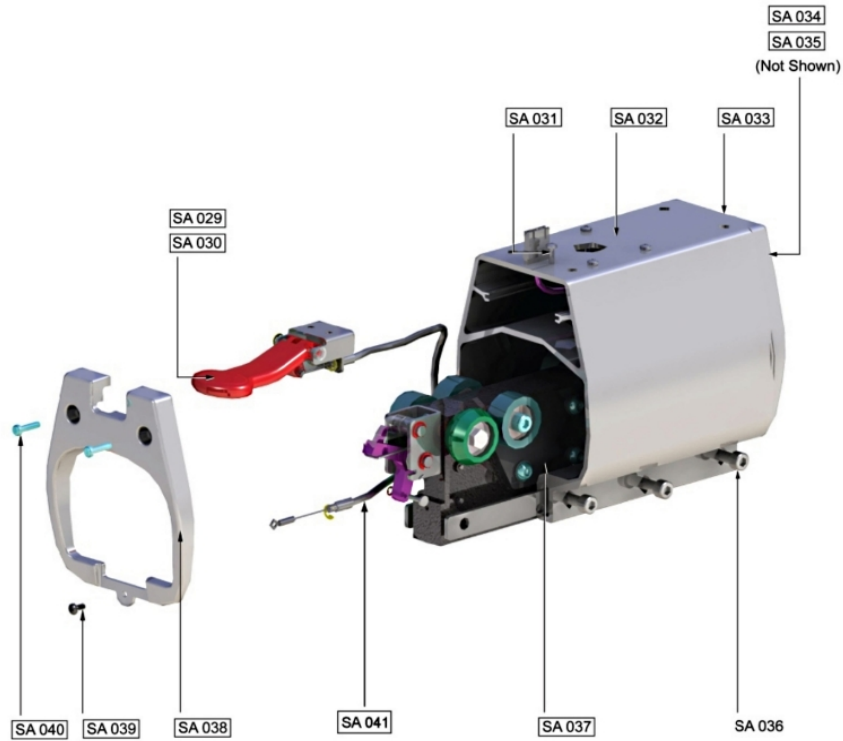


| Ref # | Part Number | Qty | Description |
|--------|-----------------|-----|---------------------------------|
| LF-001 | 0K66-01041-0000 | 2 | Shorud Stabilizer Front |
| LF-002 | 0017-00101-1881 | 3 | Hardware: Screw 20 MM |
| LF-003 | 0017-00104-0479 | 3 | Hardware: Flat Washer 25.4MM OD |
| LF-004 | 0K66-01042-0000 | 1 | End Cap (Front and Rear) |
| LF-005 | AK66-00016-0001 | 2 | Front Stabilizer |
| LF-006 | 0K66-01039-0000 | 2 | Wheel |
| LF-007 | 0K66-01040-0000 | 1 | Wheel Shaft |

Miscellaneous

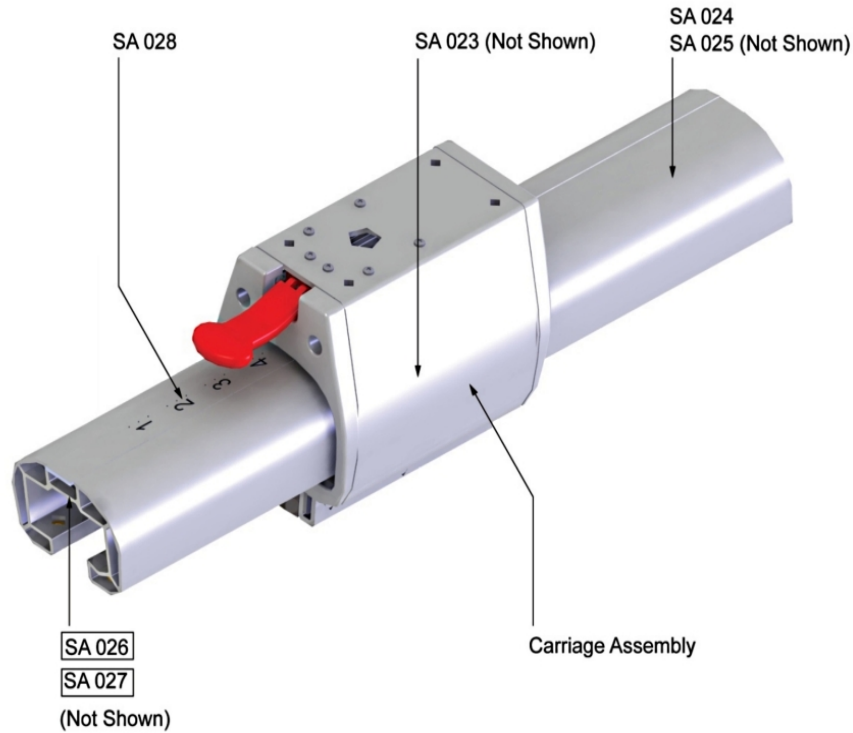
| Ref # | Part Number | Qty | Description |
|----------|-----------------|-----|---|
| MISC-002 | 0017-00003-1051 | 1 | POWER SUPPLY: 39VDC, 1.66A |
| MISC-003 | 0017-00003-0889 | 1 | Line Cord Cont U.K. 10A |
| MISC-003 | 0017-00003-0918 | 1 | Line Cord - Australia |
| MISC-003 | 0017-00003-0704 | 1 | Line Cord 10A 125 V |
| MISC-003 | 0017-00003-0691 | 1 | Line Cord Cont 10A 250 V |
| MISC-004 | 0017-00008-0204 | 1 | Paint Spray Can - Arctic Silver |
| MISC-005 | 0017-00008-0205 | 1 | 5 oz Bottle - Arctic Silver |
| MISC-006 | 0017-00008-0206 | 1 | .33oz Pen - Arctic Silver |
| MISC-007 | AK66-00036-0000 | 1 | Bracket Assembly: Power/Coax Input |
| MISC-008 | 0K66-01063-0000 | 1 | Power Coax Bracket |
| MISC-009 | 0017-00021-2846 | 1 | F-Type Panel Connector |
| MISC-010 | 0017-00021-3195 | 1 | COUPLER: CAT5E, SHIELDED, RJ45 |
| MISC-011 | AK66-00079-0000 | 1 | Hardward Bag: Recumbent Bike |
| MISC-012 | LCBCT-DOMLX-01 | 1 | Kit: Bike/Cross-Trainer Domestic Line Cord LV |

Seat Assembly - Carriage Assembly



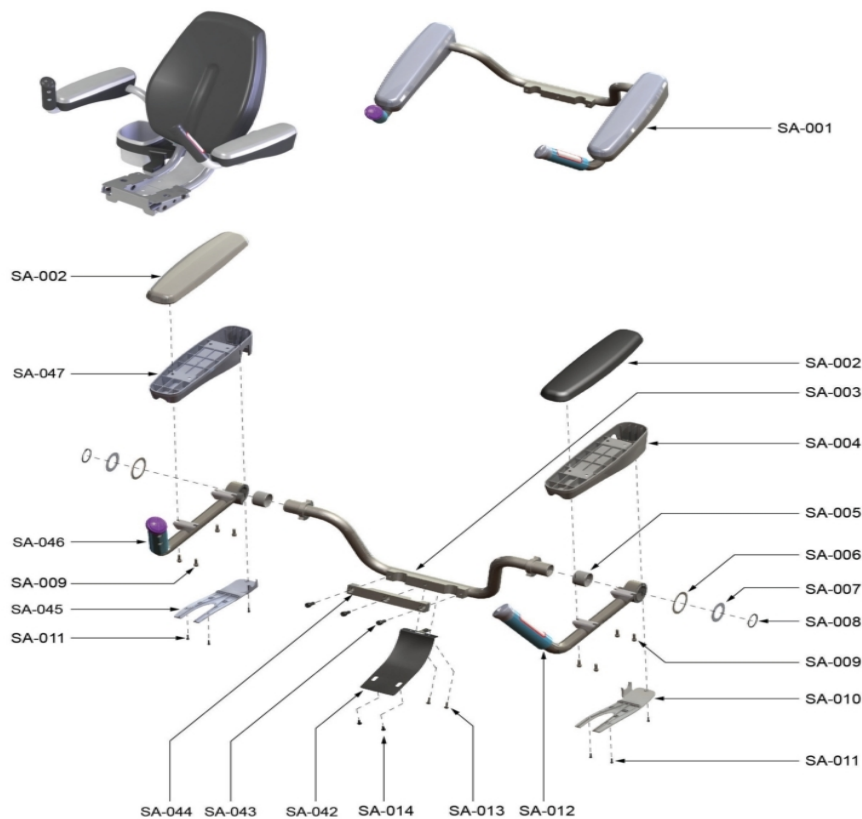
| Ref # | Part Number | Qty | Description |
|---------------|-----------------|-----|---------------------------------------|
| SA-029,SA-041 | AK66-00027-0000 | 2 | Handle Assembly |
| SA-031 | 0017-00101-1874 | 1 | Hardware: Handle Mounting Screw 16 MM |
| SA-032 | 0K66-01028-0000 | 1 | Seat Carriage |
| SA-033 | AK66-00087-0000 | 1 | Rear Carriage Cover |
| SA-034,SA-040 | 0017-00101-2009 | 2 | Hardware: Mounting Screw 0.75" |
| SA-035,SA-039 | 0017-00101-0233 | 2 | Rear Cover Mounting Screw |
| SA-036 | 0017-00101-1881 | 3 | Hardware: Screw 20 MM |
| SA-037 | AK66-00009-0000 | 1 | Roller Assembly |
| SA-038 | 0K66-01034-0000 | 1 | Front Carriage Cover |

Seat Assembly - Extrusion Assembly



| Ref # | Part Number | Qty | Description |
|---------------|-----------------|-----|--|
| SA-021,SA-023 | 0017-00101-1882 | 2 | Hardware: Stabilizer Mounting Screw 30MM |
| SA-022,SA-025 | 0017-00104-0469 | 2 | Hardware: Flat Washer 16MM OD |
| SA-024 | AK66-00031-0000 | 1 | Extrusion Assembly: Recumbent |
| SA-026 | 0K66-01023-0000 | 1 | Accessory: Rack |
| SA-027 | 0017-00101-1891 | 1 | Hardware: Mounting Screw 16MM |
| SA-028 | 0K66-01061-0000 | 1 | Decal |

Seat Assembly - Optional Recumbent Arm Rests



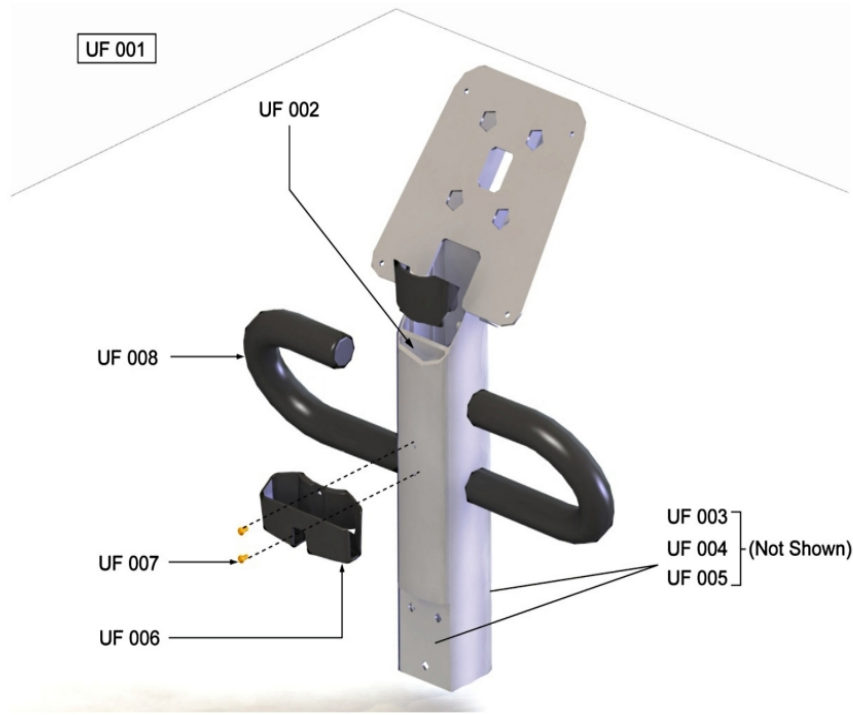
| Ref # | Part Number | Qty | Description |
|--------|-----------------|-----|---|
| SA-001 | AK66-00088-0000 | 1 | Arm Rest Frame Assembly |
| SA-002 | AK66-00084-0000 | 2 | Arm Rest Pad |
| SA-003 | AK66-00133-0000 | 1 | Arm Rest Support Weldment |
| SA-004 | 0K66-01156-0000 | 1 | Left Arm Rest Shroud |
| SA-005 | 0017-00006-0298 | 2 | Sleeve Bearing |
| SA-006 | 0K66-01228-0000 | 2 | Wave Washer Steel 1.872 ID |
| SA-007 | 0K66-01159-0000 | 2 | Hardware: Washer |
| SA-008 | 0017-00100-0256 | 2 | Retaining Ring |
| SA-009 | 0017-00101-1891 | 8 | Hardware: Mounting Screw 16MM |
| SA-010 | 0K66-01161-0000 | 1 | Left Bottom Shroud |
| SA-011 | 0017-00101-2012 | 6 | Hardware: Shroud Mounting Screw (3 per Shroud) 12MM |
| SA-012 | AK66-00089-0001 | 1 | Armrest with Grip Assembly: Left |
| SA-013 | 0017-00101-1972 | 2 | Hardware: Screw 14MM |
| SA-014 | 0017-00101-2011 | 2 | Hardware: Screw 10MM |
| SA-041 | AK66-00137-0000 | 1 | Bracket And Cable Assembly |
| SA-042 | 0017-00101-1881 | 3 | Hardware: Screw 20 MM |
| SA-043 | 0K66-01218-0000 | 1 | Arm Rest Support Clamp |
| SA-044 | 0K66-01162-0000 | 1 | Right Bottom Shroud |
| SA-045 | AK66-00089-0000 | 1 | Armrest with Grip Assembly: Right |
| SA-046 | 0K66-01165-0000 | 1 | Right Arm Rest Shroud |

Seat Assembly - Seat Pad and Back Pad



| Ref # | Part Number | Qty | Description |
|--------|-----------------|-----|-------------------------------|
| SA-015 | AK66-00052-0000 | 1 | Recumbent Seat |
| SA-016 | 0017-00101-1881 | 1 | Hardware: Screw 20 MM |
| SA-017 | AK66-00072-0000 | 1 | Seat Back |
| SA-018 | 0017-00101-2018 | 1 | Hardware: Mounting Screw 60MM |
| SA-019 | AK62-00124-0000 | 2 | Leg Leveler |
| SA-020 | 0K66-01131-0000 | 1 | Rear Stabilizer |

Upper Frame - Monocolumn Assembly



| Ref # | Part Number | Qty | Description |
|--------|-----------------|-----|---|
| UF-001 | AK66-00038-0000 | 1 | Monocolumn Assembly - Recumbent |
| UF-002 | 0K66-01099-0000 | 1 | Mocolumn Cover |
| UF-003 | 0K67-01117-0000 | 1 | Rear Mount Plate |
| UF-004 | 0K67-01118-0000 | 1 | Bracket Plate |
| UF-005 | 0017-00101-2035 | 1 | Hardware: Mounting Screw |
| UF-006 | 0K66-01112-0000 | 1 | I-pod Bracket |
| UF-007 | 0017-00101-1732 | 2 | Hardware: I-pod Bracket Mounting Screw 0.375" |
| UF-008 | 0K66-01072-0000 | 2 | Grip |

Upper Frame - Shrouds



| Ref # | Part Number | Qty | Description |
|------------------------------------|-----------------|-----|--|
| UF-009,UF-016,UF-019,UF-021,UF-024 | 0017-00101-1796 | 20 | Hardware: Mounting Screw 19 MM |
| UF-010 | 0K66-01100-0000 | 1 | Console Back Cover |
| UF-011 | 0K67-01061-0000 | 1 | Console Rear Middle Shroud |
| UF-012 | AK66-00055-0000 | 1 | Accessory: Cupholder |
| UF-013 | 0017-00101-2030 | 1 | Hardware: Mounting Screw 16MM |
| UF-014 | 0K67-01055-0000 | 1 | Accessory: Cupholder |
| UF-015 | 0K66-01055-0000 | 1 | Rear End Cap Mounting Screw |
| UF-017 | AK66-00044-0004 | 1 | SHROUD/DECAL:REAR; MFG; LIFECYCLE RT NP |
| UF-018 | AK66-00045-0004 | 1 | SHROUD/DECAL:REAR; MFG; LIFECYCLE LT NP |
| UF-020 | 0K66-01059-0000 | 1 | Middle Shroud |
| UF-022 | AK66-00042-0003 | 1 | Front Right Shroud LF Decal Shadow Gray with Vents - 95R |
| UF-023 | AK66-00043-0003 | 1 | Front Left Shroud LF Decal Shadow Gray with Vents - 95R |
| UF-025 | 0K65-01264-0000 | 1 | LF Bug Decal |
| UF-026 | 0K66-01057-0000 | 1 | Accessory: Media Holder |

