

95Re Recumbent Lifecycle - Lifepulse

95RE-1000-01

Parts Manual

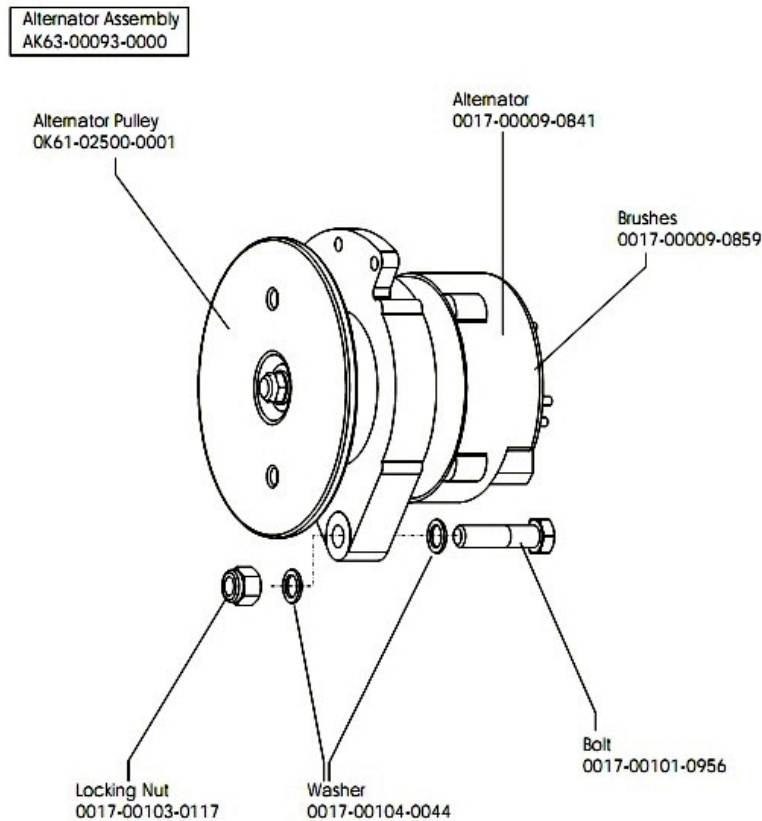
1/5/2019 10:10:21 AM



Table of Contents

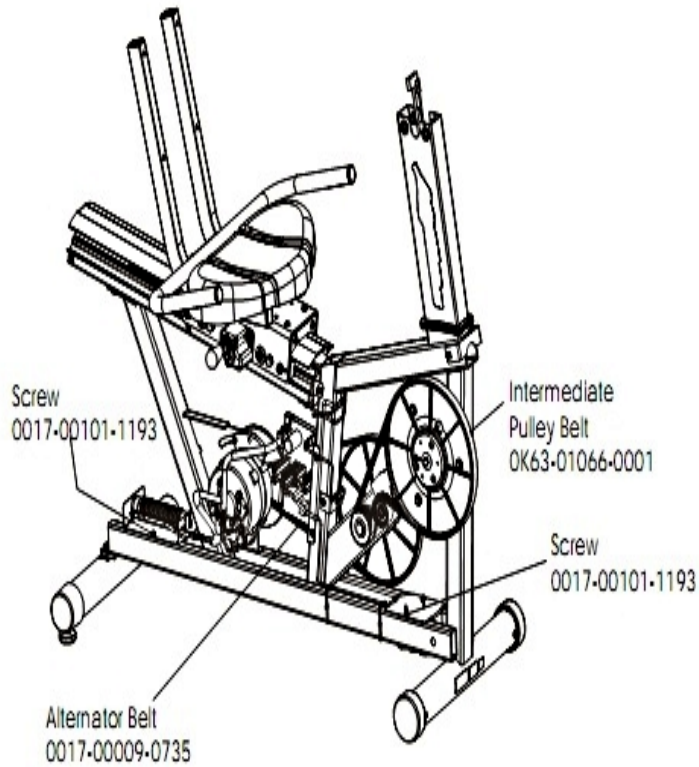
Alternator Assembly	3
Belts	4
Cables	5
Console Assembly	6
Console Support Assembly 1	7
Console Support Assembly 2	8
Crankshaft and Bearing Assembly	9
Extrusion Assembly	10
Idler Bracket Assembly	11
Intermediate Shaft and Bearing Assembly	12
Locking Assembly	13
Miscellaneous	14
Power Control Board	15
Resistor Assembly	16
Seat Assembly	17
Seat Bottom Assembly	18
Seat Frame Assembly	19
Seat Pads and Accessory Tray	20
Shrouds, End Caps and Crank Arm	21
Wheel Leveler	22

Alternator Assembly



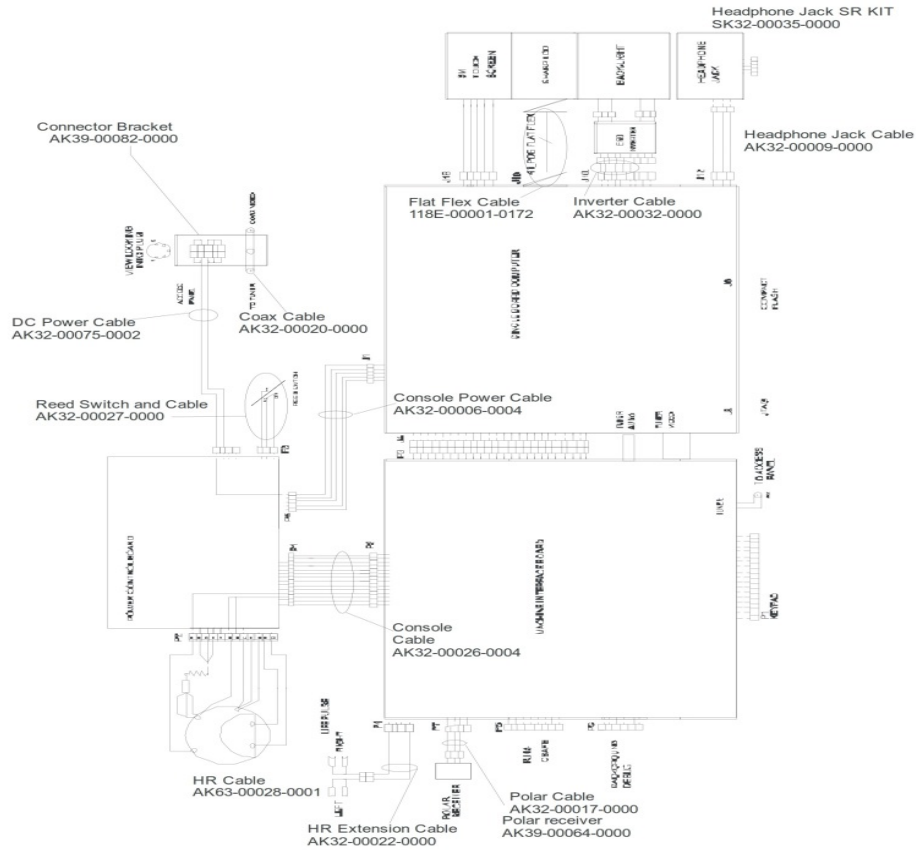
Ref #	Part Number	Qty	Description
-	OK61-01027-0000	1	Flywheel: 6.75" D
-	0017-00104-0044	2	Hardware: Washer 0.75" OD
-	0017-00103-0117	1	Hardware: Locking Nut 1/2" ID
-	0017-00009-0841	1	Alternator
-	0017-00009-0859	1	Brushes
-	AK63-00093-0000	1	Alternator w/Pulley
-	0017-00101-0956	1	Hardware: Bolt 2"

Belts



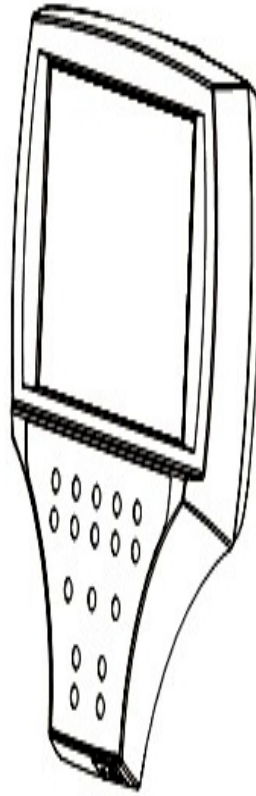
Ref #	Part Number	Qty	Description
-	0017-00101-1193	2	Hardware: Screw 0.375"
-	0017-00009-1324	1	Belt: Poly-V; 49.00 IN
-	GK63-00002-0079	1	Kit: Upright/Rec Belt And Pulley

Cables



Ref #	Part Number	Qty	Description
-	SK32-00035-0000	1	Head phone Jack SR KIT
-	AK32-00027-0000	1	Reed Switch and Cable
-	AK32-00075-0002	1	DC Power Cable
-	118E-00001-0259	1	Wireless Receiver Module, Non-Coded
-	AK39-00082-0000	1	Connector Bracket
-	AK32-00006-0004	1	Console Power Cable
-	AK32-00032-0000	1	Inverter Cable
-	AK32-00022-0000	1	Heart Rate Extension Cable
-	AK32-00009-0000	1	Headphone Jack Cable
-	AK32-00017-0000	1	Polar Cable
-	AK32-00026-0004	1	Console Cable
-	118E-00001-0178	1	Flat Flex Cable
-	AK32-00020-0000	1	68" COAX CABLE
-	AK63-00028-0001	1	LifePulse Cable

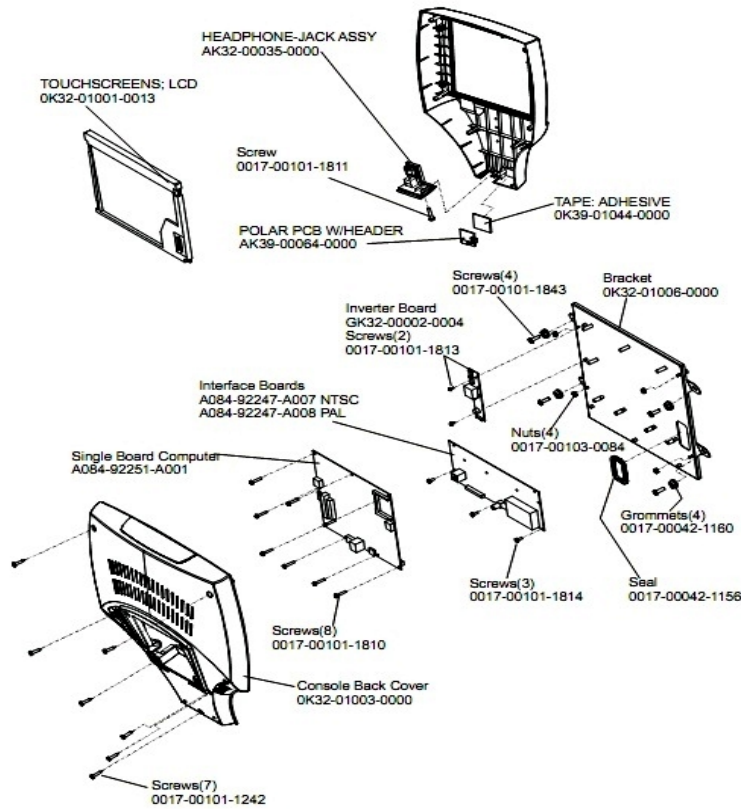
Console Assembly



Console Assembly
AK63-00247-0001

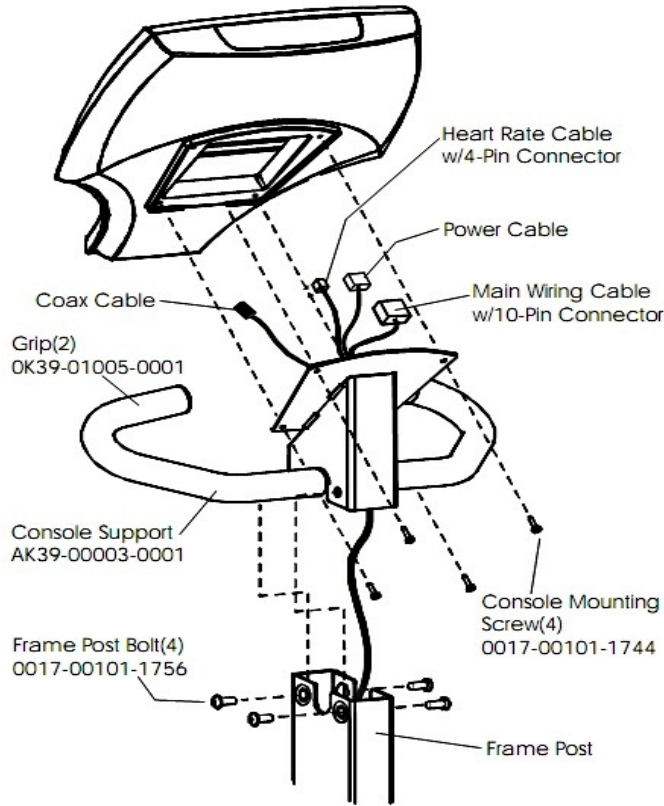
Ref #	Part Number	Qty	Description
-	AK63-00247-0010	1	Bezel/Switch with Overlay Assembly: Portugese
-	AK63-00247-0008	1	Bezel/Switch with Overlay Assembly: Italian
-	AK63-00247-0004	1	Bezel/Switch with Overlay Assembly: Spanish
-	AK63-00247-0006	1	Bezel/Switch with Overlay Assembly: Japanese
-	AK63-00247-0003	1	Bezel/Switch with Overlay Assembly: German
-	AK63-00247-0001	2	Bezel/Switch with Overlay Assembly: English
-	GK63-00002-0066	1	KIT: SERV; CONS; MFG; W/FM; NTSC; FRN
-	GK63-00002-0064	1	Kit: Serv; Console; Mfg; with FM; NTSC; Spanish
-	AK63-00247-0007	1	Bezel/Switch with Overlay Assembly: French
-	GK63-00002-0065	1	NLA: KIT: SERV; CONS; MFG; W/FM; NTSC; JAP
-	AK63-00247-0009	1	Bezel/Switch with Overlay Assembly: Dutch
-	GK63-00002-0063	1	Console English NTSC with FM

Console Support Assembly 1



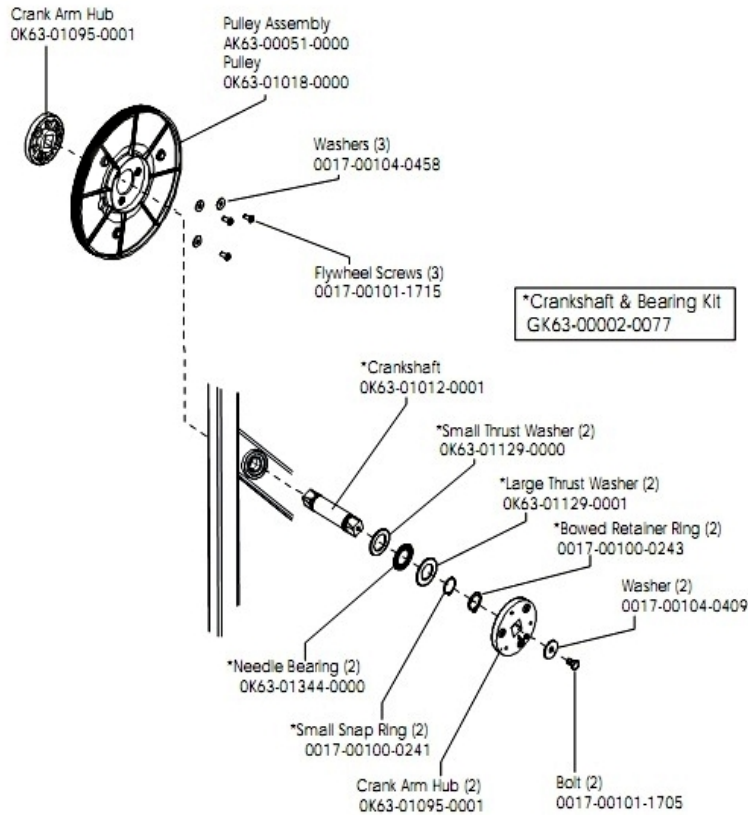
Ref #	Part Number	Qty	Description
-	AK32-00035-0000	1	Headphone Jack Assembly
-	0K32-01006-0000	1	Bracket
-	0017-00042-1160	4	Grommet
-	0017-00101-1843	4	Hardware: Screw
-	0017-00101-1811	1	Hardware: Phillips Pan Screw 0.625"
-	0K39-01044-0000	1	Tape
-	118E-00001-0259	1	Wireless Receiver Module, Non-Coded
-	A084-92247-A007	1	Interface Boards NTSC
-	0017-00103-0084	4	Hardware: Nut
-	0017-00101-1813	2	Hardware: Inverter Board Screw
-	0K32-01001-0013	1	LCD Touchscreen Assembly
-	0K32-01001-0013	1	LCD Touchscreen Assembly
-	0K32-01001-0013	1	LCD Touchscreen Assembly
-	0K32-01001-0013	1	LCD Touchscreen Assembly
-	A084-92251-A001	1	Single Board Computer
-	0017-00042-1156	1	Edge Trim
-	0017-00101-1242	7	Hardware: Phillips Pan Screw 0.75"
-	0017-00101-1810	8	Hardware: Screw
-	0017-00101-1814	3	Hardware: Screw
-	AK32-00041-0000	1	CONS-CASE W/DECAL ASSY:PURCH.C
-	GK32-00002-0004	1	Inverter Board

Console Support Assembly 2



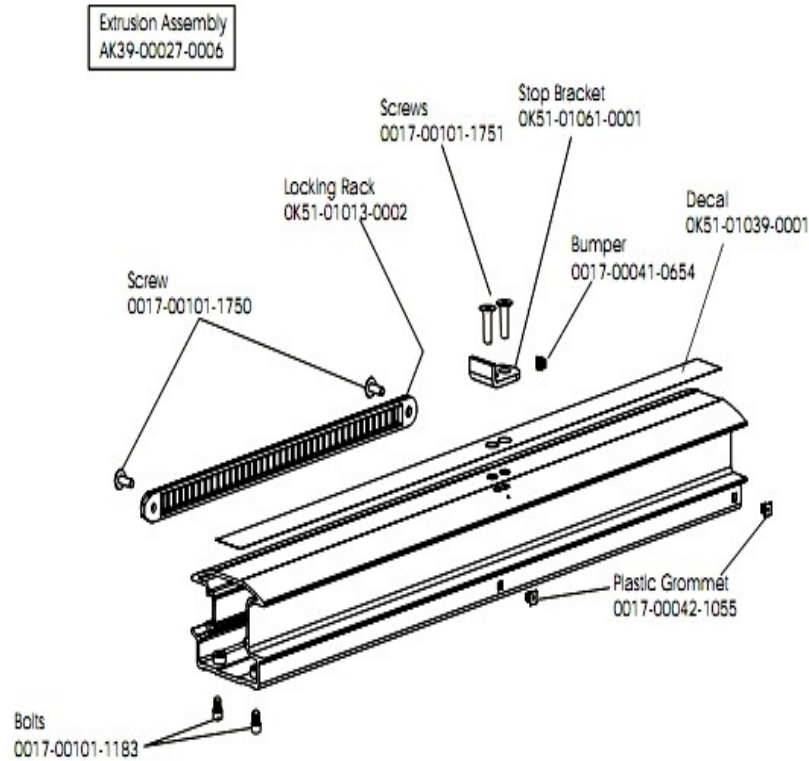
Ref #	Part Number	Qty	Description
-	0017-00101-1744	4	Hardware: Phillips Pan Screw
-	AK39-00003-0001	1	Console Support
-	0017-00101-1756	4	Hardware: Frame Post Bolt 0.75"
-	OK39-01005-0001	2	Grip

Crankshaft and Bearing Assembly



Ref #	Part Number	Qty	Description
-	0017-00101-1705	2	Hardware: Bolt 0.5"
-	0017-00100-0241	2	Hardware: Small Snap Ring .984"
-	0017-00104-0458	3	Hardware: Flat Washer 0.75" OD
-	OK63-01018-0000	1	Crank Pulley
-	0017-00100-0243	2	Hardware: Bowed Retaining Ring .984"
-	0017-00101-1715	3	Hardware: TORX Cap Screw 0.625"
-	0017-00104-0409	2	Hardware: Washer 1.125" OD
-	OK63-01012-0001	1	Crankshaft
-	GK63-00002-0077	1	Crankshaft and Bearing Kit
-	OK63-01095-0001	3	Crank Arm Hub
-	AK63-00051-0000	1	Pulley Assembly
-	OK63-01129-0001	2	Hardware: Large Thrust Washer
-	OK63-01129-0000	2	Hardware: Small Thrust Washer
-	OK63-01344-0000	2	Hardware: Needle Bearing

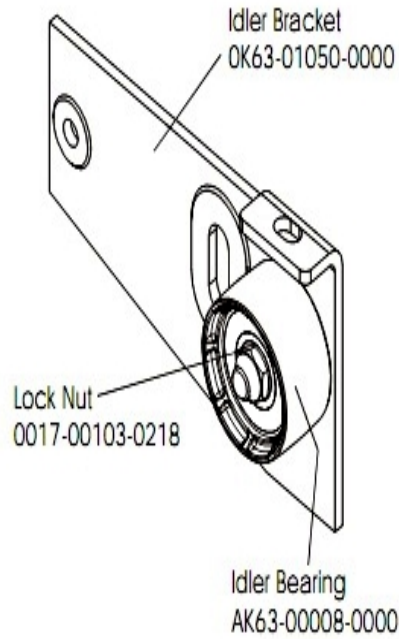
Extrusion Assembly



Ref #	Part Number	Qty	Description
-	0017-00041-0654	1	Bumper
-	0017-00101-1751	2	Hardware: Screw 1"
-	OK51-01013-0002	1	Locking Rack
-	AK39-00027-0006	1	Extrusion Seat Assembly
-	0017-00101-1183	2	Hardware: Bolt 0.75"
-	0017-00101-1750	2	Hardware: Screw 0.75"
-	OK51-01039-0001	1	Decal
-	OK51-01061-0001	1	Stop Bracket
-	0017-00042-1055	2	Hardware: Plastic Grommet

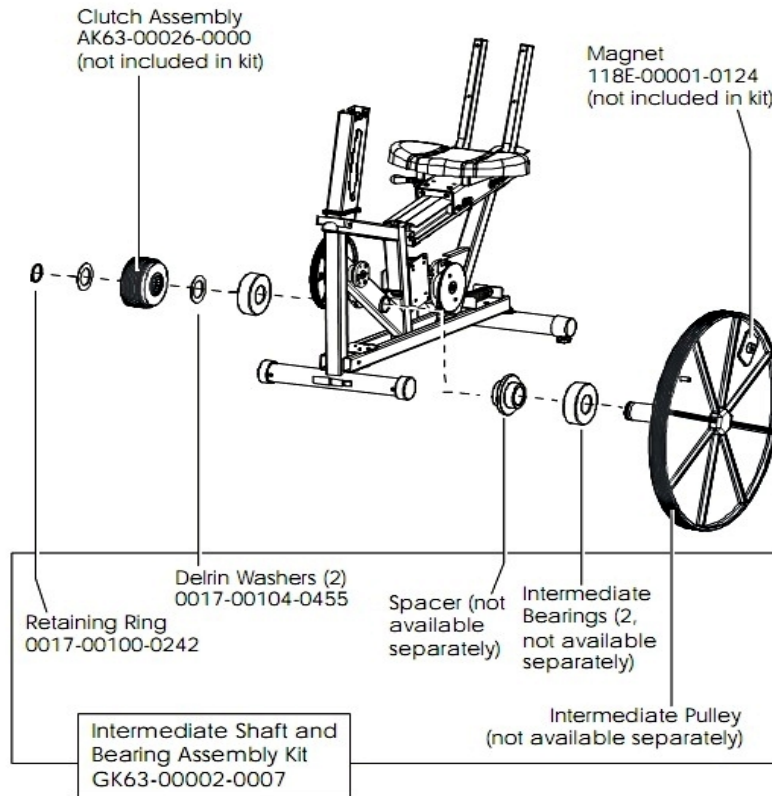
Idler Bracket Assembly

Idler Bracket Assembly
AK63-00021-0000



Ref #	Part Number	Qty	Description
-	AK63-00008-0000	1	Idler w/Bearing
-	OK63-01050-0000	1	Idler Bracket
-	AK63-00021-0000	1	Idler Bracket Assembly
-	0017-00103-0218	1	Hardware: Lock Nut 3/8" ID

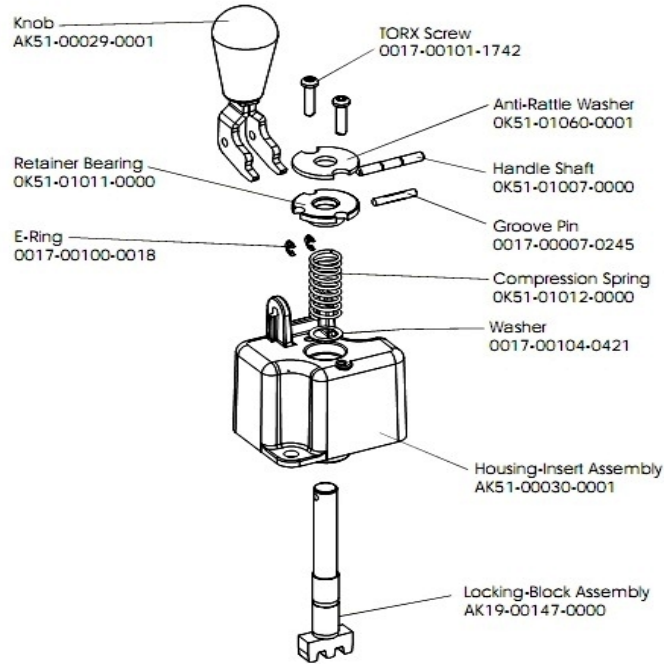
Intermediate Shaft and Bearing Assembly



Ref #	Part Number	Qty	Description
-	GK63-00002-0007	1	Intermediate Shaft and Bearing Assembly
-	0017-00100-0242	1	Hardware: Retaining Ring .781"
-	118E-00001-0124	1	Auto-Start Magnet
-	0017-00104-0455	2	Hardware: Delrin Washer 1.250" OD
-	GK63-00002-0079	1	Kit: Upright/Rec Belt And Pulley

Locking Assembly

Locking Assembly
AK51-00053-0001

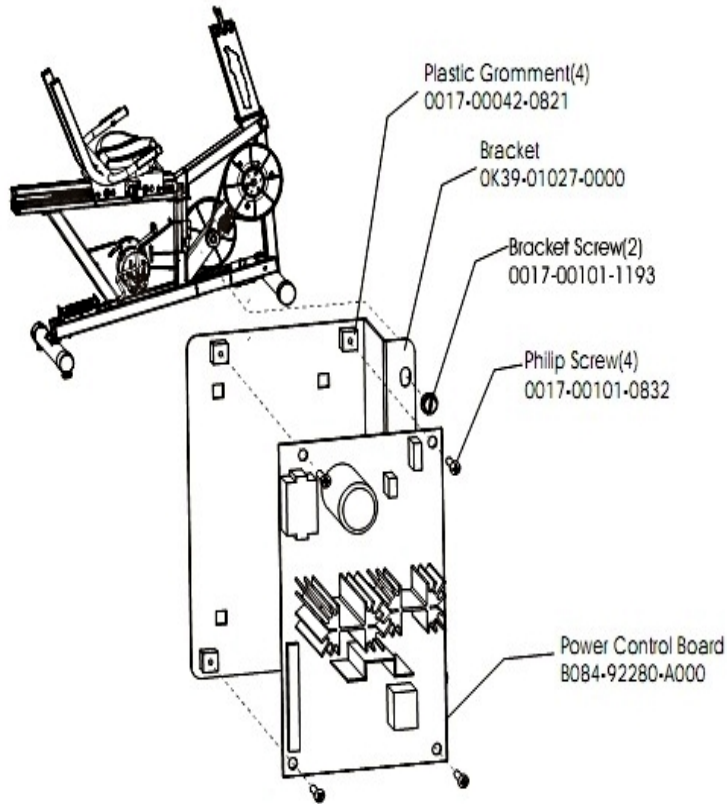


Ref #	Part Number	Qty	Description
-	0017-00007-0245	1	Hardware: Groove Pin 5/32" D 1.75" L
-	AK51-00053-0001	1	Lock Assembly
-	0017-00101-1742	2	Hardware: TORX Screw 0.75"
-	AK19-00147-0000	1	Locking-Block Assembly
-	AK51-00030-0001	1	Housing-Insert Assembly
-	OK51-01060-0001	1	Hardware: Anti-Rattle Washer
-	0017-00100-0018	2	Hardware: E-Ring .188"
-	0017-00104-0421	1	Hardware: Flat Washer 0.64" OD
-	AK51-00029-0001	1	Knob
-	OK51-01007-0000	1	Handle Shaft
-	OK51-01012-0000	1	Compression Spring
-	OK51-01011-0000	1	Hardware: Retainer Bearing

Miscellaneous

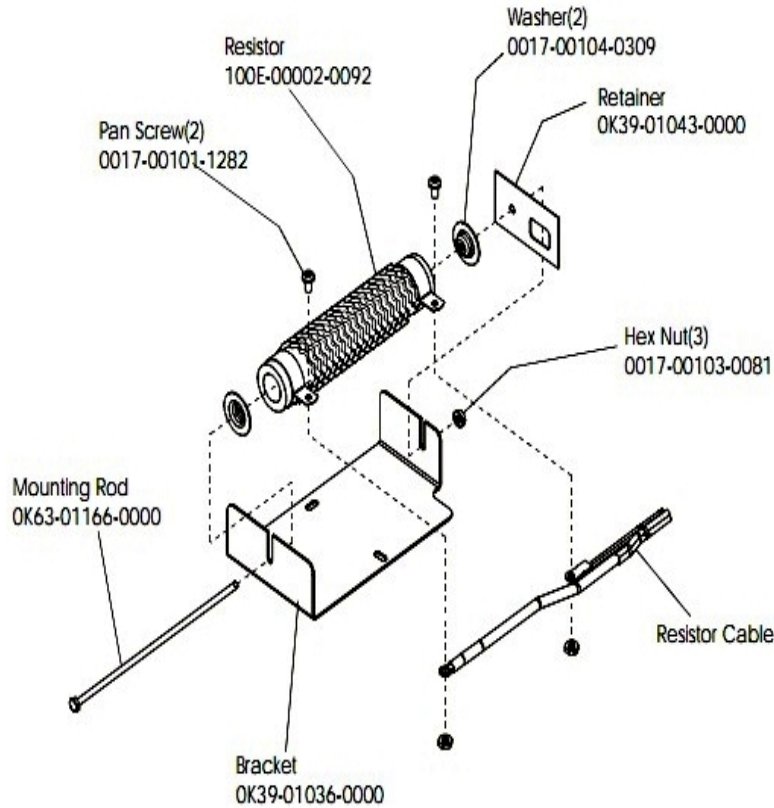
Ref #	Part Number	Qty	Description
-	GK39-00002-0009	1	Hardware Kit
-	118E-00001-0161	1	Power Supply 12V 4.5A Without Line Cord
-	0017-00003-0704	1	Line Cord 10A 125 V

Power Control Board



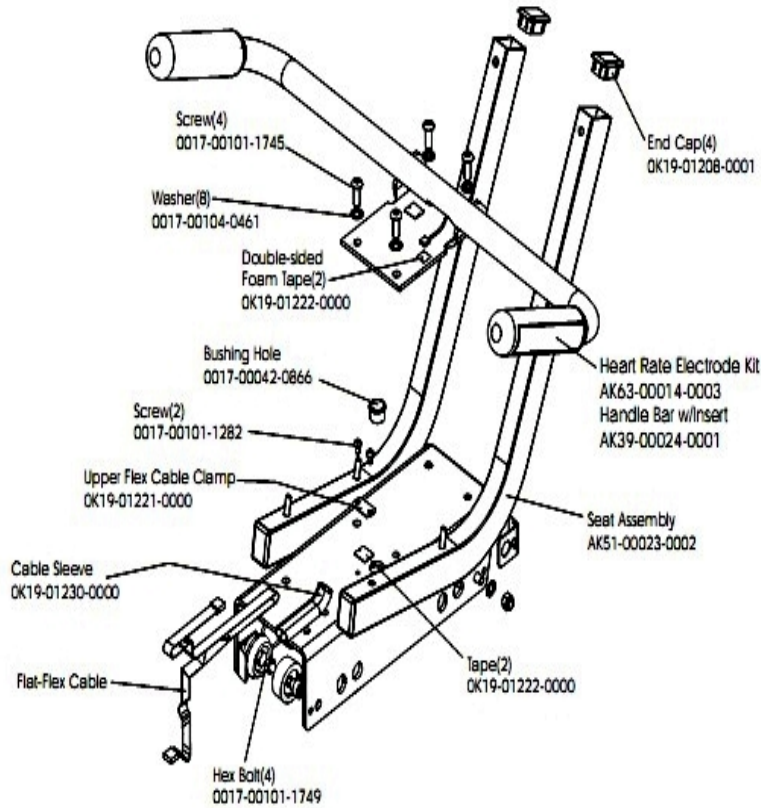
Ref #	Part Number	Qty	Description
-	0017-00042-0821	4	Hardware: Plastic Grommet
-	0K39-01027-0000	1	PCB Bracket
-	B084-92280-A000	1	Power Control Board
-	0017-00101-0832	6	Hardware: Mounting Bolt. 1"

Resistor Assembly



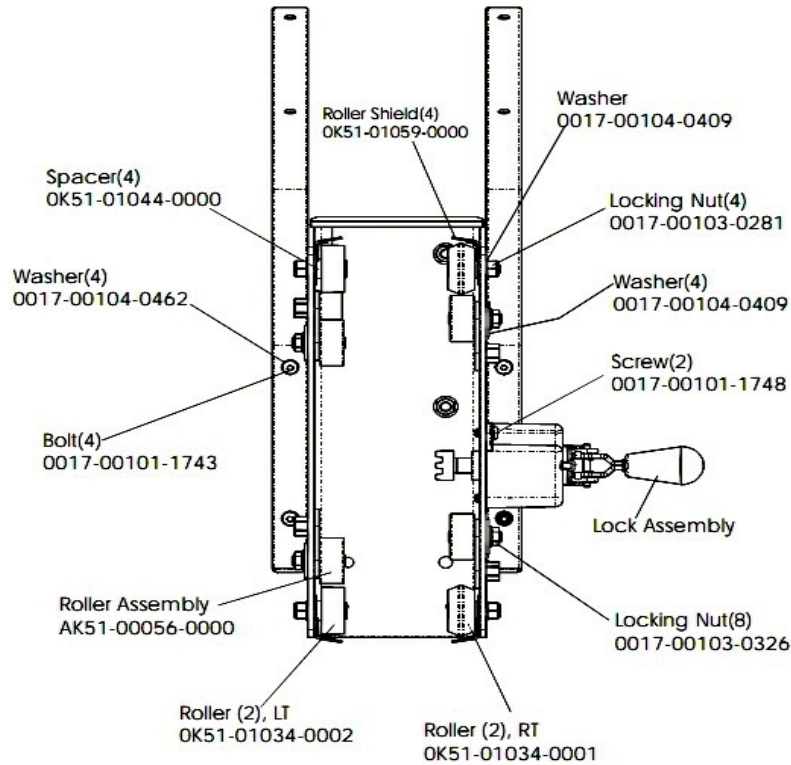
Ref #	Part Number	Qty	Description
-	0017-00103-0081	3	Hardware: Hex Nut ID
-	100E-00002-0092	1	Resistor .5 OHM 240 Watt
-	0017-00101-1282	2	Hardware: TORX Screw 0.375"
-	OK39-01036-0000	1	Resistor Bracket
-	OK63-01166-0000	1	Resistor Mounting Rod
-	OK39-01043-0000	1	Resistor Retainer
-	0017-00104-0309	2	Hardware: Washer 1.12" OD

Seat Assembly



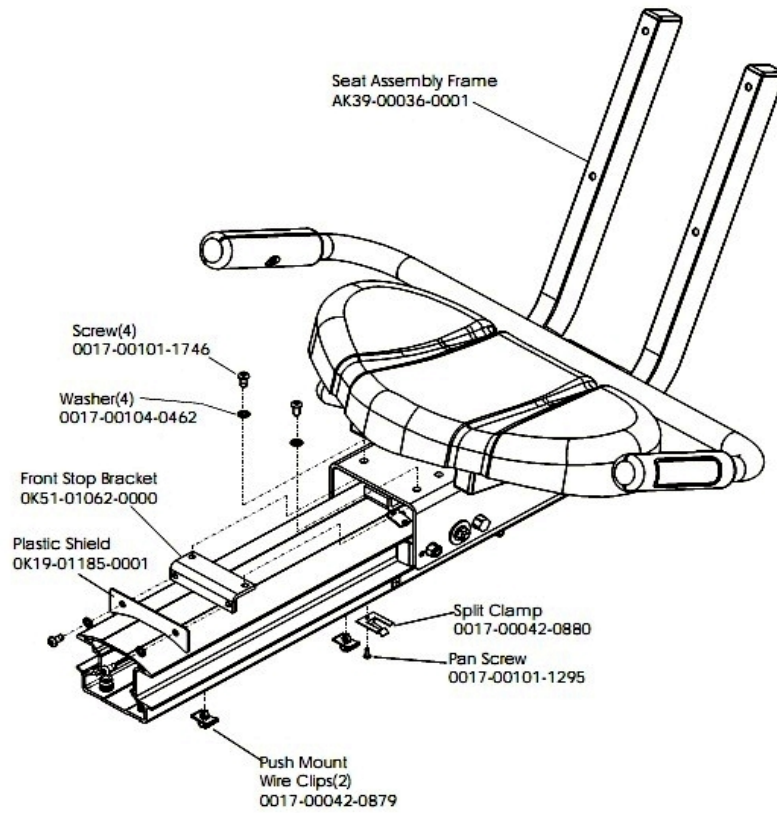
Ref #	Part Number	Qty	Description
-	0017-00042-0866	1	Hardware: Hole Bushing - 3/4"
-	OK19-01208-0001	4	End Cap
-	OK19-01222-0000	4	Double-sided Foam Tape
-	0017-00101-1745	4	Hardware: Screw 0.875"
-	0017-00101-1282	2	Hardware: TORX Screw 0.375"
-	AK39-00024-0001	1	Handlebar with Insert
-	AK51-00023-0002	1	Seat Assembly
-	OK19-01230-0000	1	Cable Sleeve
-	AK63-00014-0003	1	Heart Rate Electrode
-	0017-00104-0461	8	Hardware: Flat Washer 0.602" OD
-	0017-00101-1749	4	Hardware: Hex Bolt 1.25"
-	OK19-01221-0000	1	Hardware: Upper Flex Cable Clamp

Seat Bottom Assembly



Ref #	Part Number	Qty	Description
-	0017-00101-1743	4	Hardware: Mounting Screw 2.25"
-	OK51-01044-0000	4	Roller Spacer
-	0017-00103-0326	8	Hardware: Locking Nut 5/16" ID
-	OK51-01059-0000	4	Roller Guard
-	0017-00104-0409	5	Hardware: Washer 1.125" OD
-	OK51-01034-0001	2	Seat Roller: Right
-	0017-00103-0281	4	Hardware: Locking Nut
-	0017-00104-0462	4	Hardware: Flat Washer 0.478" OD
-	OK51-01034-0002	2	Seat Roller: Left
-	0017-00101-1748	2	Hardware: Screw 0.5"
-	AK51-00056-0000	1	Roller Assembly

Seat Frame Assembly

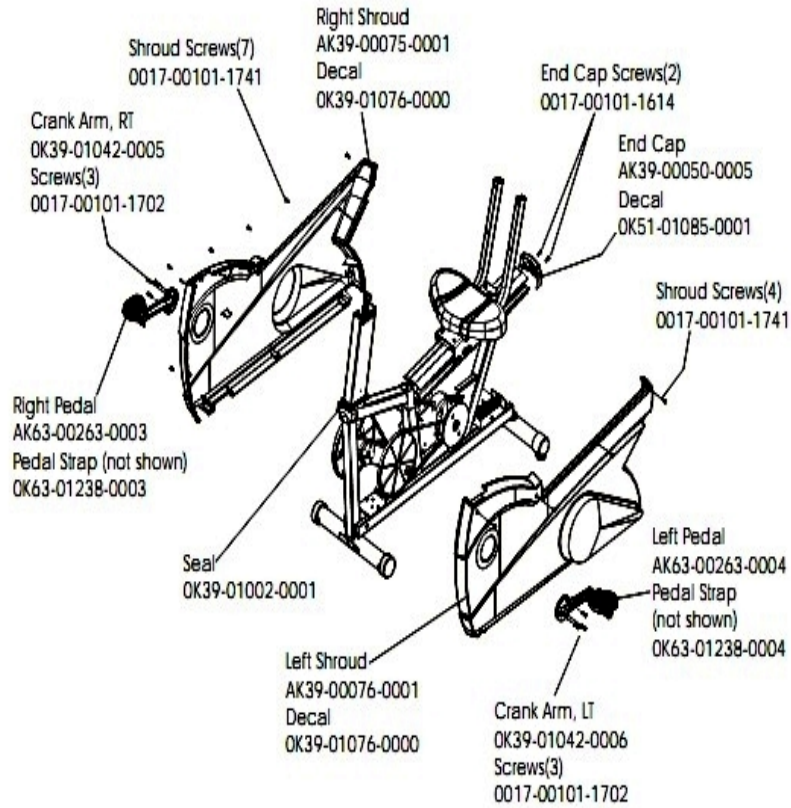


Ref #	Part Number	Qty	Description
-	0017-00042-0879	2	Hardware: Push Mount Wire Clip
-	0017-00104-0462	4	Hardware: Flat Washer 0.478" OD
-	OK19-01185-0001	1	Plastic Shield
-	OK51-01062-0000	1	Front Stop Bracket
-	0017-00101-1746	4	Hardware: Console Support Cap Screw
-	AK39-00036-0001	1	Seat Assembly Frame
-	0017-00042-0880	1	Hardware: Split Clamp
-	0017-00101-1295	1	Hardware: Pan Screw 0.375"

Seat Pads and Accessory Tray

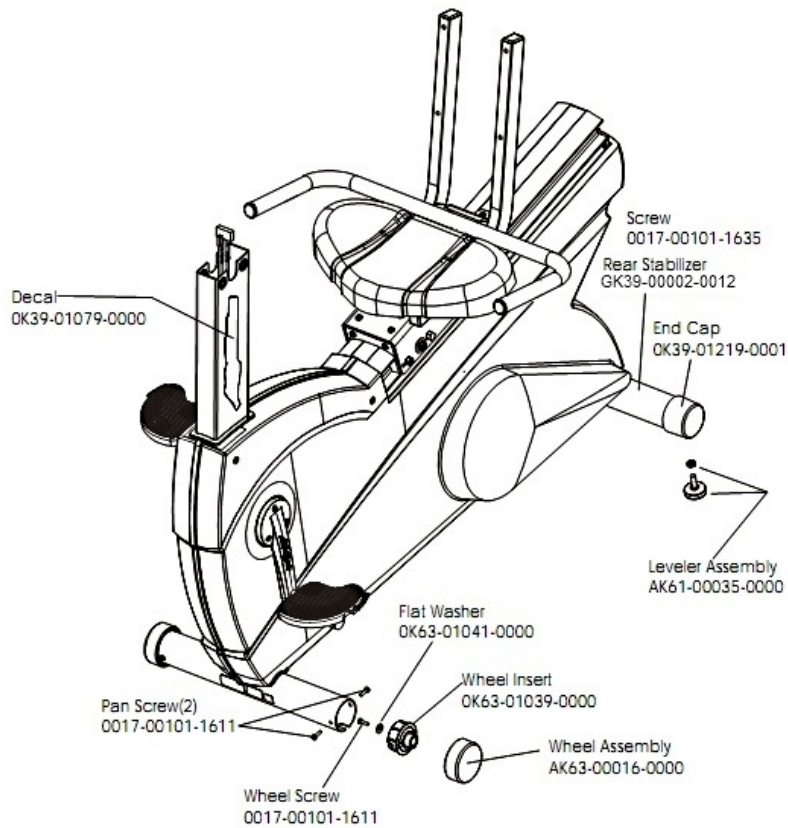
Ref #	Part Number	Qty	Description
-	0017-00101-1183	4	Hardware: Bolt 0.75"
-	AK39-00052-0003	1	Accessory Tray
-	0017-00104-0226	4	Hardware: Washer
-	0K51-01055-0001	1	Seat Back
-	0K51-01056-0001	1	Seat Back

Shrouds, End Caps and Crank Arm



Ref #	Part Number	Qty	Description
-	AK39-00076-0001	1	Shroud with Decal - Left
-	0017-00101-1741	11	Hardware: Screw
-	0017-00101-1614	2	Hardware: Screw 0.625"
-	OK63-01238-0004	1	Left Pedal Strap
-	OK39-01002-0001	1	Gasket
-	OK39-01042-0005	1	Crank Arm Right
-	AK63-00263-0004	1	Pedal: Left
-	OK39-01076-0000	2	Decal
-	AK39-00050-0005	1	End Cap
-	OK39-01042-0006	1	Crank Arm Left
-	OK63-01238-0003	1	Right Pedal Strap
-	OK51-01085-0001	1	Decal
-	0017-00101-1702	6	Hardware: Screw
-	AK39-00075-0001	1	Shroud with Decal - Right
-	AK63-00263-0003	1	Pedal: Right

Wheel Leveler



Ref #	Part Number	Qty	Description
-	OK63-01041-0000	2	Hardware: Flat Washer
-	AK61-00035-0000	2	Leg Leveler
-	0017-00101-1611	6	Hardware: Insert Screw
-	OK39-01079-0000	2	Decal
-	GK39-00002-0012	1	Rear Stabilizer
-	OK63-01219-0001	2	End Cap
-	0017-00101-1635	2	Hardware: Hex Bolt 1"
-	OK63-01039-0000	2	Wheel Insert
-	AK63-00016-0000	2	Wheel/Bearing Assembly

