

95Re Recumbent Lifecycle

95RE-1000-04

Parts Manual

1/5/2019 10:10:23 AM

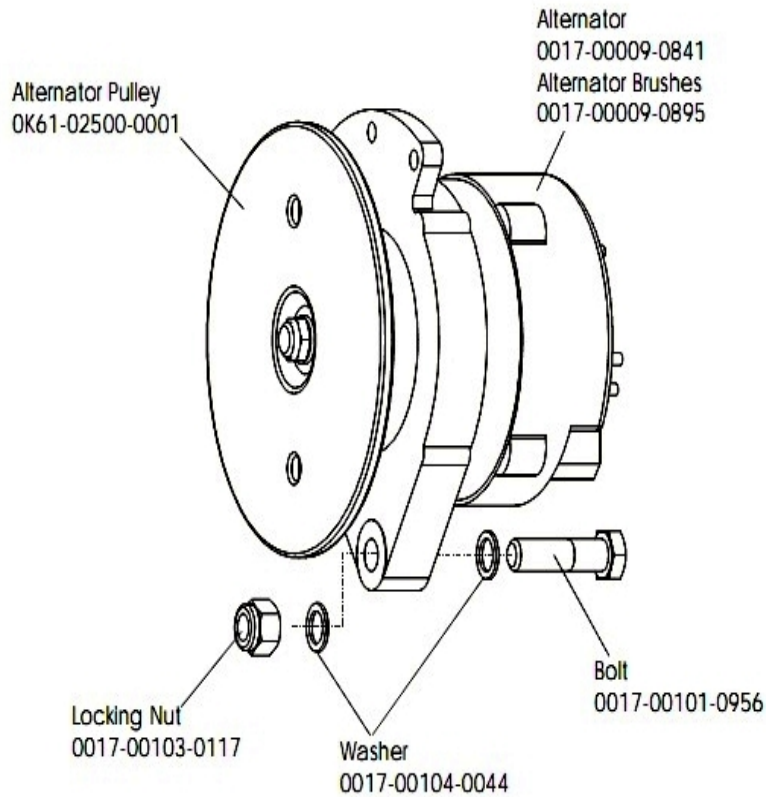


LifeFitness
WHAT WE LIVE FOR

Table of Contents

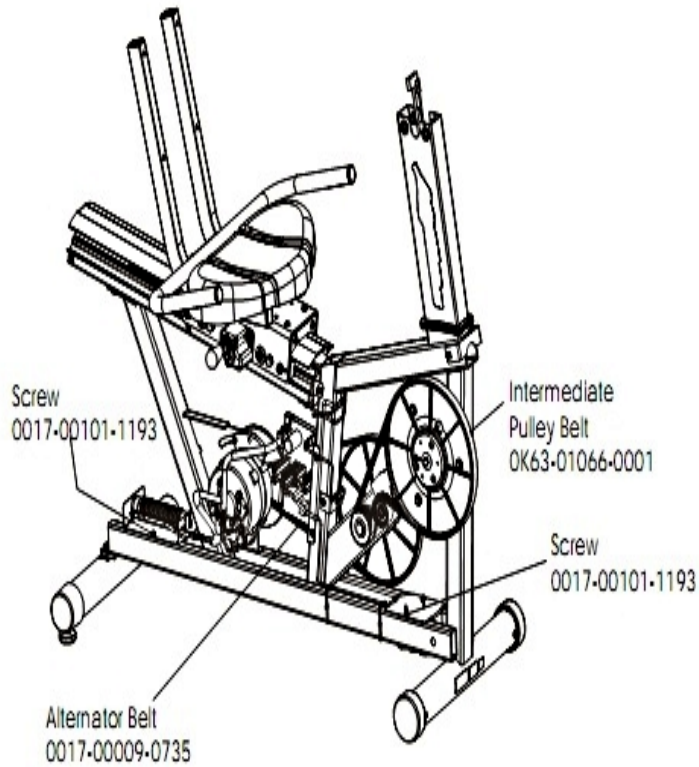
Alternator with Pulley Assembly	3
Belts	4
Cables	5
Console and Related Components 1	6
Console and Related Components 2	7
Console Support Assembly	8
Crankshaft and Bearing Assembly	9
Extrusion Assembly	10
Idler Bracket Assembly	11
Intermediate Shaft and Bearing Assembly	12
Locking Assembly	13
Power Control Board	14
References	15
Resistor Assembly	16
Seat Assembly	17
Seat Assembly - Bottom	18
Seat Frame Assembly	19
Seat Pads and Accessory Tray	20
Shrouds, End Caps and Pedals	21
Wheel and Leveler	22

Alternator with Pulley Assembly



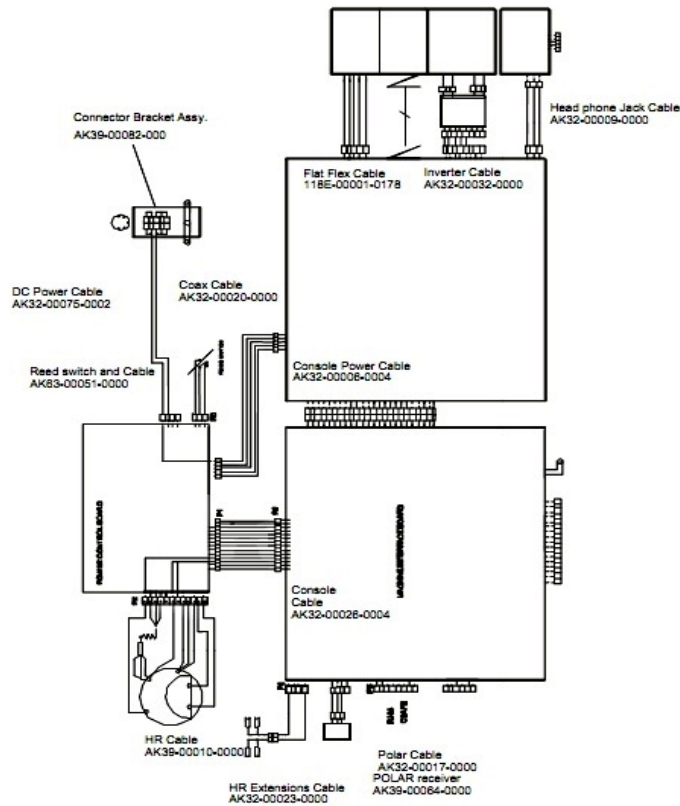
Ref #	Part Number	Qty	Description
-	0017-00103-0117	1	Hardware: Locking Nut 1/2" ID
-	0017-00009-0895	1	Alternator Brush Kit
-	AK63-00093-0000	1	Alternator w/Pulley
-	OK61-01027-0000	1	Flywheel: 6.75" D
-	0017-00101-0956	1	Hardware: Bolt 2"
-	0017-00009-0841	1	Alternator
-	0017-00104-0044	2	Hardware: Washer 0.75" OD

Belts



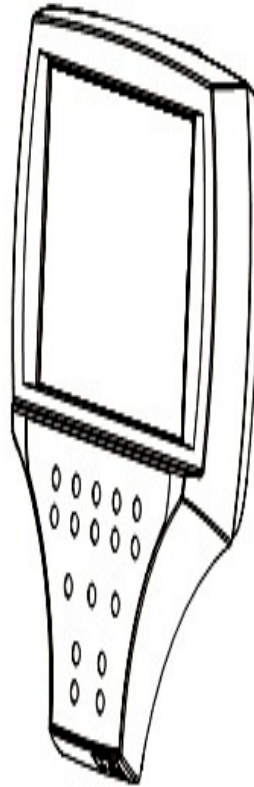
Ref #	Part Number	Qty	Description
-	0017-00101-1193	2	Hardware: Screw 0.375"
-	0017-00009-1324	1	Belt: Poly-V; 49.00 IN
-	GK63-00002-0079	1	Kit: Upright/Rec Belt And Pulley

Cables



Ref #	Part Number	Qty	Description
-	AK32-00032-0000	1	Inverter Cable
-	AK32-00006-0004	1	Console Power Cable
-	AK32-00075-0002	1	DC Power Cable
-	AK32-00026-0004	1	Console Cable
-	AK32-00020-0000	1	68" COAX CABLE
-	118E-00001-0178	1	Flat Flex Cable
-	AK39-00010-0000	1	Cable Assembly: 2-sensor Handlebar
-	AK32-00023-0000	1	Cable-Assembly: Lifepulse; Recumbent C
-	AK32-00017-0000	1	Polar Cable
-	AK32-00009-0000	1	Headphone Jack Cable
-	118E-00001-0259	1	Wireless Receiver Module, Non-Coded
-	AK63-00051-0000	1	Pulley Assembly
-	AK39-00082-0000	1	Connector Bracket

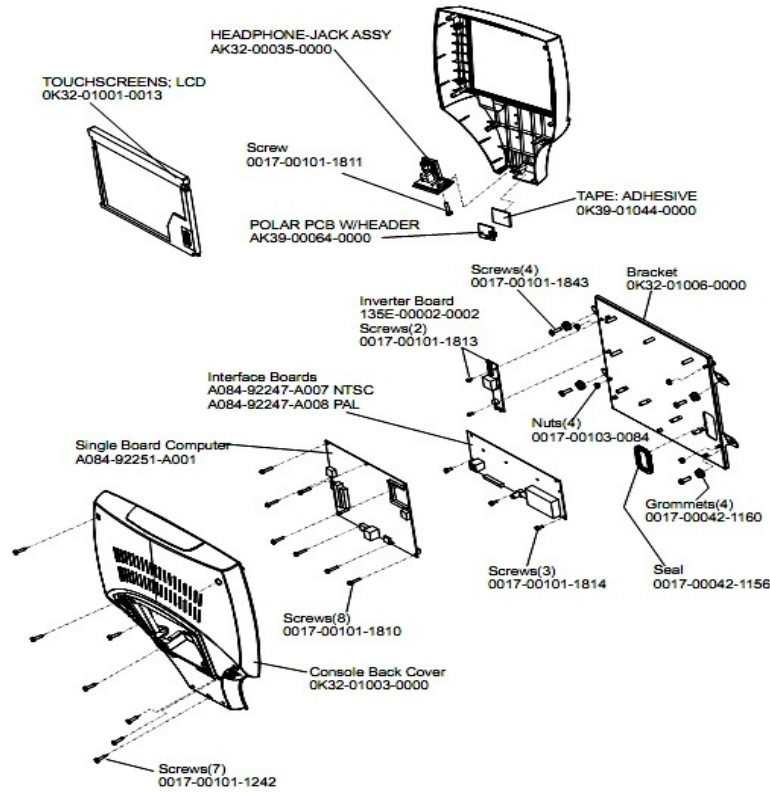
Console and Related Components 1



Console Assembly
AK63-00247-0001

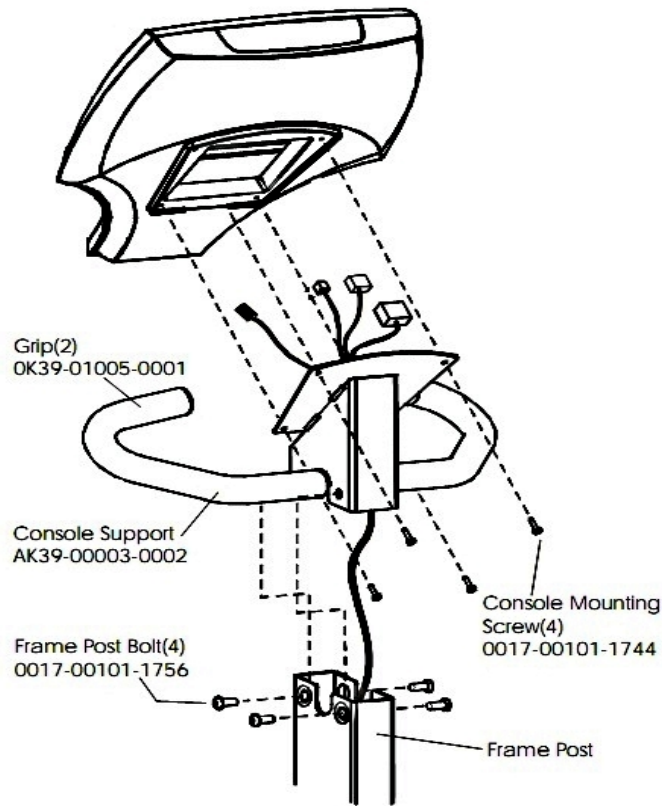
Ref #	Part Number	Qty	Description
-	AK63-00247-0009	1	Bezel/Switch with Overlay Assembly: Dutch
-	GK63-00002-0067	1	KIT: SERV; CONS; MFG; W/FM; NTSC; POR
-	AK63-00247-0004	1	Bezel/Switch with Overlay Assembly: Spanish
-	AK63-00247-0006	1	Bezel/Switch with Overlay Assembly: Japanese
-	AK63-00247-0003	1	Bezel/Switch with Overlay Assembly: German
-	AK63-00247-0001	1	Bezel/Switch with Overlay Assembly: English
-	GK63-00002-0063	1	Console English NTSC with FM
-	GK63-00002-0065	1	NLA: KIT: SERV; CONS; MFG; W/FM; NTSC; JAP
-	GK63-00002-0066	1	KIT: SERV; CONS; MFG; W/FM; NTSC; FRN
-	AK63-00247-0010	1	Bezel/Switch with Overlay Assembly: Portugese
-	AK63-00247-0008	1	Bezel/Switch with Overlay Assembly: Italian
-	GK63-00002-0064	1	Kit: Serv; Console; Mfg; with FM; NTSC; Spanish
-	AK63-00247-0007	1	Bezel/Switch with Overlay Assembly: French

Console and Related Components 2



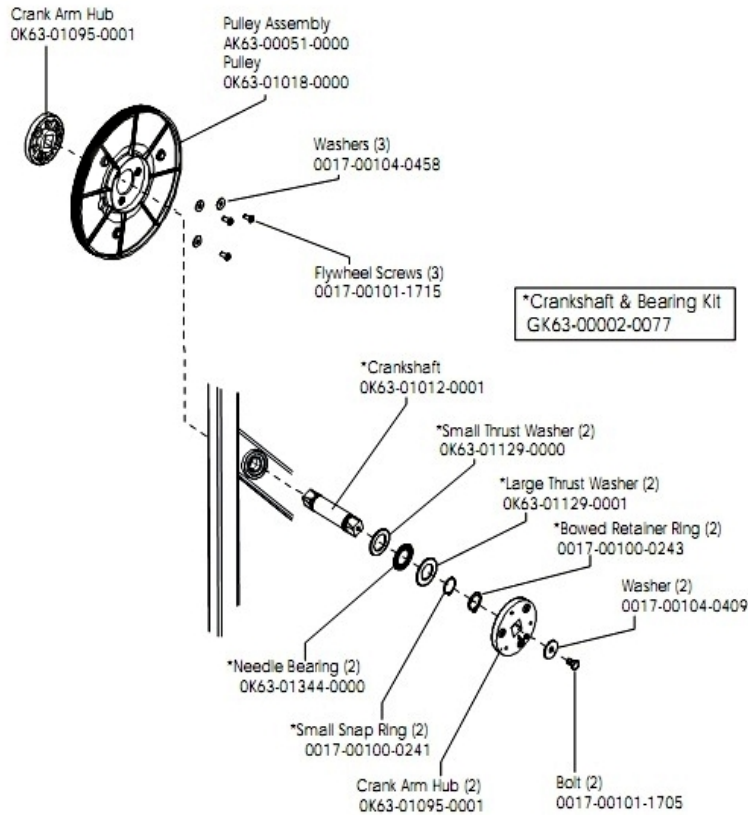
Ref #	Part Number	Qty	Description
-	AK32-00035-0000	1	Headphone Jack Assembly
-	0K32-01006-0000	1	Bracket
-	0017-00042-1160	4	Grommet
-	0017-00101-1811	1	Hardware: Phillips Pan Screw 0.625"
-	0017-00101-1843	4	Hardware: Screw
-	0K39-01044-0000	1	Tape
-	118E-00001-0259	1	Wireless Receiver Module, Non-Coded
-	A084-92247-A007	1	Interface Boards NTSC
-	0017-00103-0084	4	Hardware: Nut
-	0017-00101-1813	2	Hardware: Inverter Board Screw
-	0K32-01001-0013	1	LCD Touchscreen Assembly
-	0K32-01001-0013	1	LCD Touchscreen Assembly
-	0K32-01001-0013	1	LCD Touchscreen Assembly
-	0K32-01001-0013	1	LCD Touchscreen Assembly
-	0017-00042-1156	1	Edge Trim
-	0017-00101-1242	7	Hardware: Phillips Pan Screw 0.75"
-	0017-00101-1810	8	Hardware: Screw
-	0017-00101-1814	3	Hardware: Screw
-	A084-92247-A008	1	Interface Boards PAL
-	A084-92251-A012	1	Single Board Computer
-	AK32-00041-0000	1	CONS-CASE W/DECAL ASSY:PURCH.C
-	GK32-00002-0004	1	Inverter Board

Console Support Assembly



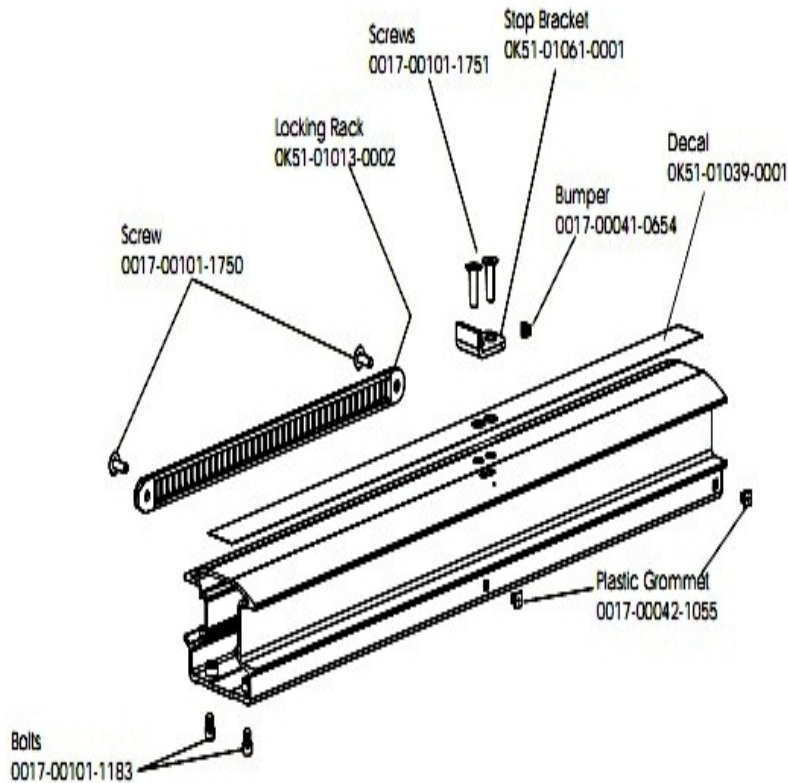
Ref #	Part Number	Qty	Description
-	0017-00101-1744	4	Hardware: Phillips Pan Screw
-	0017-00101-1756	4	Hardware: Frame Post Bolt 0.75"
-	OK39-01005-0001	2	Grip
-	AK39-00003-0002	1	Console Support

Crankshaft and Bearing Assembly



Ref #	Part Number	Qty	Description
-	OK63-01129-0000	2	Hardware: Small Thrust Washer
-	OK63-01129-0001	2	Hardware: Large Thrust Washer
-	AK63-00051-0000	1	Pulley Assembly
-	OK63-01095-0001	3	Crank Arm Hub
-	0017-00101-1705	2	Hardware: Bolt 0.5"
-	OK63-01344-0000	2	Hardware: Needle Bearing
-	0017-00100-0241	2	Hardware: Small Snap Ring .984"
-	OK63-01018-0000	1	Crank Pulley
-	0017-00100-0243	2	Hardware: Bowed Retaining Ring .984"
-	0017-00101-1715	3	Hardware: TORX Cap Screw 0.625"
-	0017-00104-0409	2	Hardware: Washer 1.125" OD
-	OK63-01012-0001	1	Crankshaft
-	GK63-00002-0077	1	Crankshaft and Bearing Kit
-	0017-00104-0458	3	Hardware: Flat Washer 0.75" OD

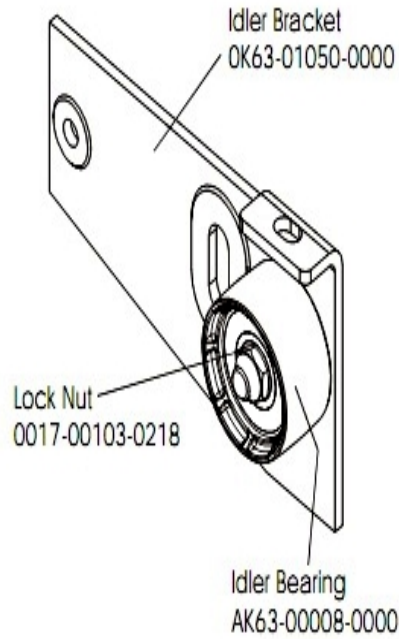
Extrusion Assembly



Ref #	Part Number	Qty	Description
-	0017-00041-0654	1	Bumper
-	AK39-00027-0005	1	Extrusion Seat Assembly
-	0017-00101-1751	2	Hardware: Screw 1"
-	OK51-01013-0002	1	Locking Rack
-	0017-00101-1183	2	Hardware: Bolt 0.75"
-	0017-00101-1750	2	Hardware: Screw 0.75"
-	OK51-01039-0001	1	Decal
-	OK51-01061-0001	1	Stop Bracket
-	0017-00042-1055	2	Hardware: Plastic Grommet

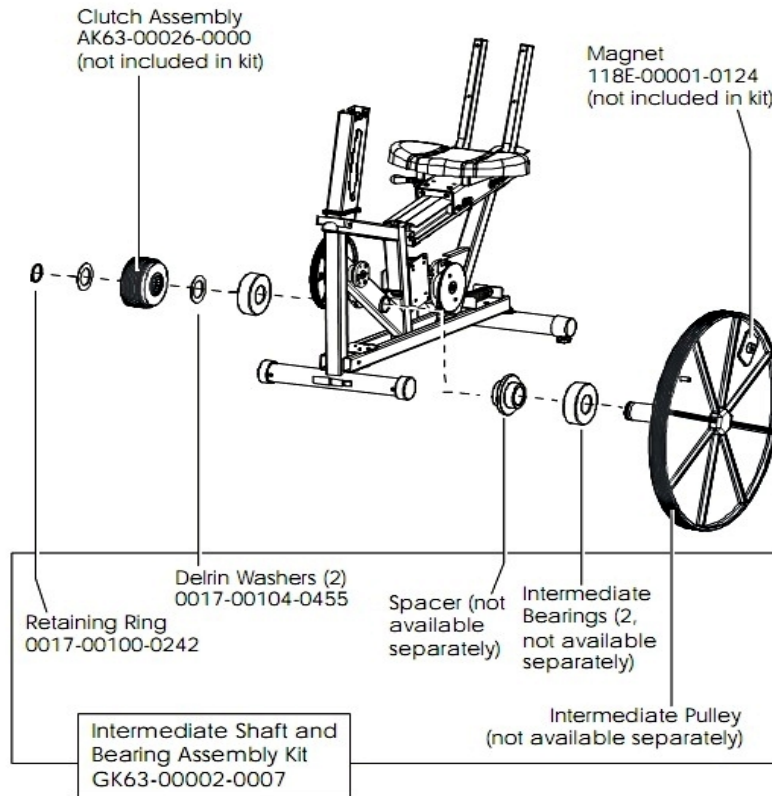
Idler Bracket Assembly

Idler Bracket Assembly
AK63-00021-0000



Ref #	Part Number	Qty	Description
-	AK63-00008-0000	1	Idler w/Bearing
-	OK63-01050-0000	1	Idler Bracket
-	AK63-00021-0000	1	Idler Bracket Assembly
-	0017-00103-0218	1	Hardware: Lock Nut 3/8" ID

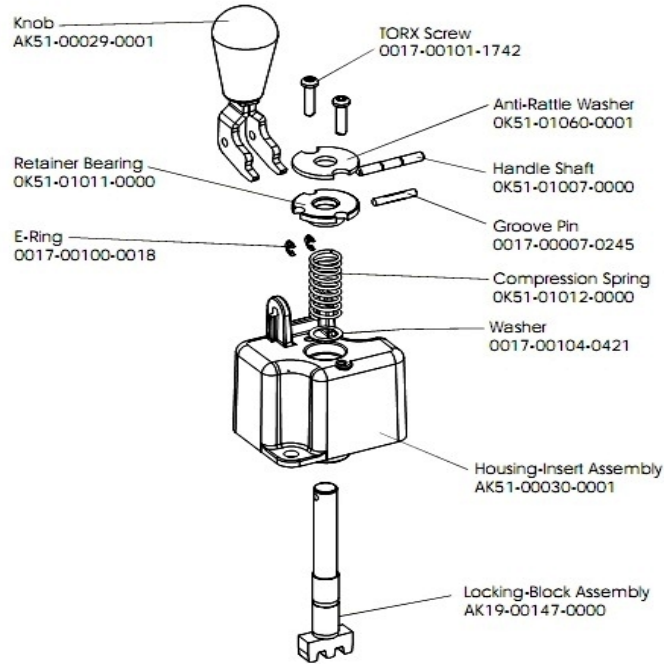
Intermediate Shaft and Bearing Assembly



Ref #	Part Number	Qty	Description
-	GK63-00002-0007	1	Intermediate Shaft and Bearing Assembly
-	0017-00100-0242	1	Hardware: Retaining Ring .781"
-	118E-00001-0124	1	Auto-Start Magnet
-	0017-00104-0455	2	Hardware: Delrin Washer 1.250" OD
-	GK63-00002-0079	1	Kit: Upright/Rec Belt And Pulley

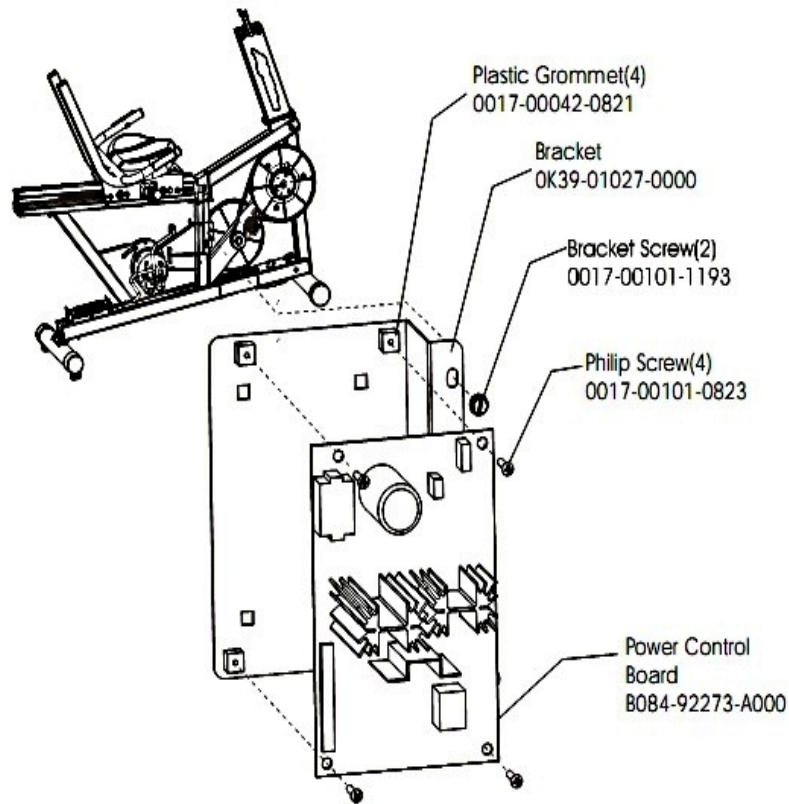
Locking Assembly

Locking Assembly
AK51-00053-0001



Ref #	Part Number	Qty	Description
-	0017-00007-0245	1	Hardware: Groove Pin 5/32" D 1.75" L
-	AK51-00053-0001	1	Lock Assembly
-	0017-00101-1742	2	Hardware: TORX Screw 0.75"
-	AK19-00147-0000	1	Locking-Block Assembly
-	AK51-00030-0001	1	Housing-Insert Assembly
-	OK51-01060-0001	1	Hardware: Anti-Rattle Washer
-	0017-00100-0018	2	Hardware: E-Ring .188"
-	0017-00104-0421	1	Hardware: Flat Washer 0.64" OD
-	AK51-00029-0001	1	Knob
-	OK51-01007-0000	1	Handle Shaft
-	OK51-01012-0000	1	Compression Spring
-	OK51-01011-0000	1	Hardware: Retainer Bearing

Power Control Board

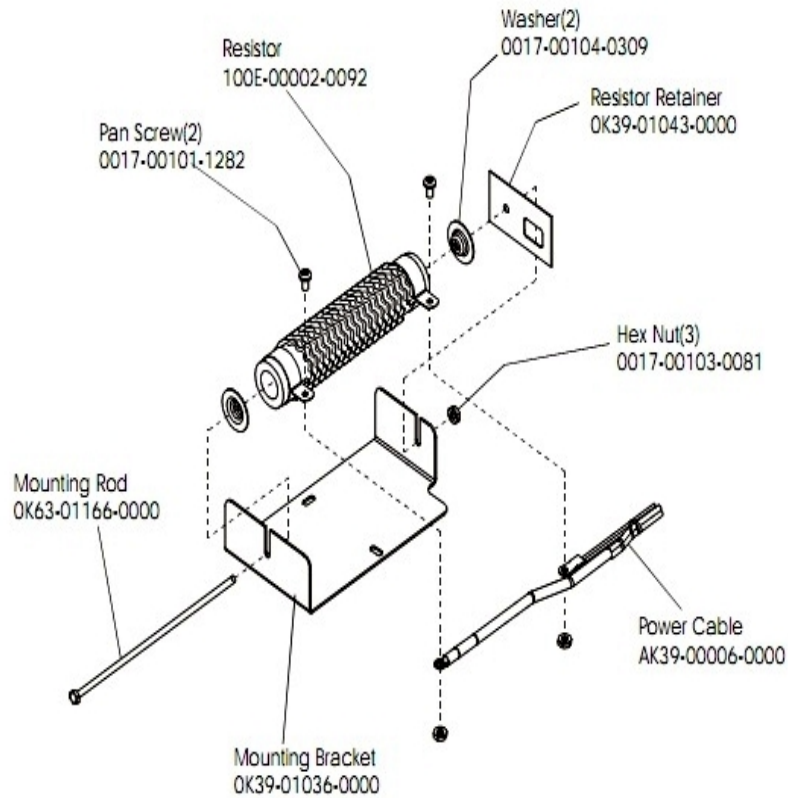


Ref #	Part Number	Qty	Description
-	0017-00042-0821	4	Hardware: Plastic Grommet
-	0017-00101-0823	4	Hardware: Screw 0.75"
-	AK39-00092-0000	1	Power-Printed Circuit Board Bracket Assembly: Mfg;
-	0017-00101-1193	2	Hardware: Screw 0.375"
-	OK39-01027-0000	1	PCB Bracket
-	B084-92280-A000	1	Power Control Board

References

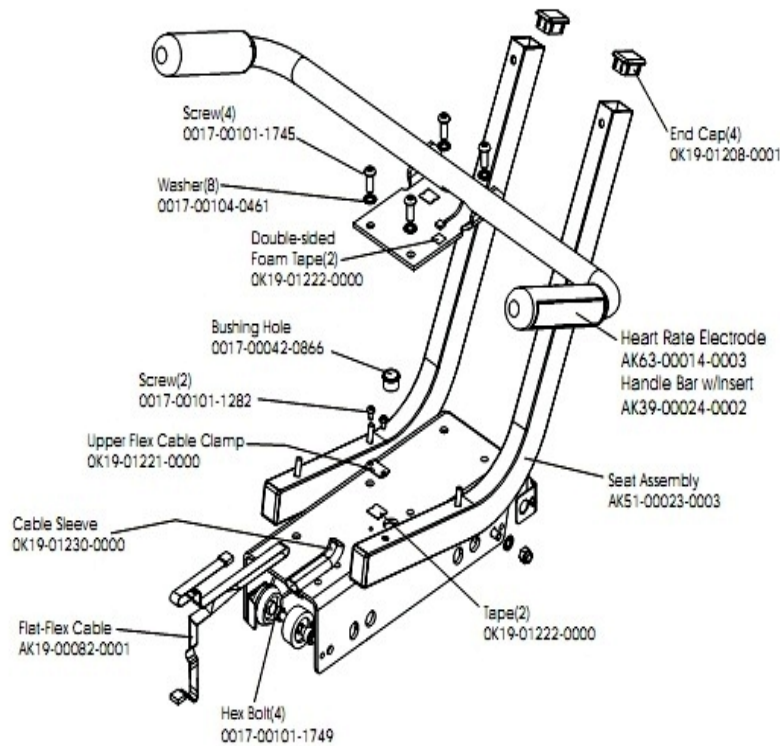
Ref #	Part Number	Qty	Description
-	0017-00008-0204	1	Paint Spray Can - Arctic Silver
-	0017-00003-0704	1	Line Cord 10A 125 V
-	GK39-00002-0009	1	Hardware Kit
-	118E-00001-0161	1	Power Supply 12V 4.5A Without Line Cord
-	0017-00008-0206	1	.33oz Pen - Arctic Silver
-	0017-00008-0205	1	5 oz Bottle - Arctic Silver

Resistor Assembly



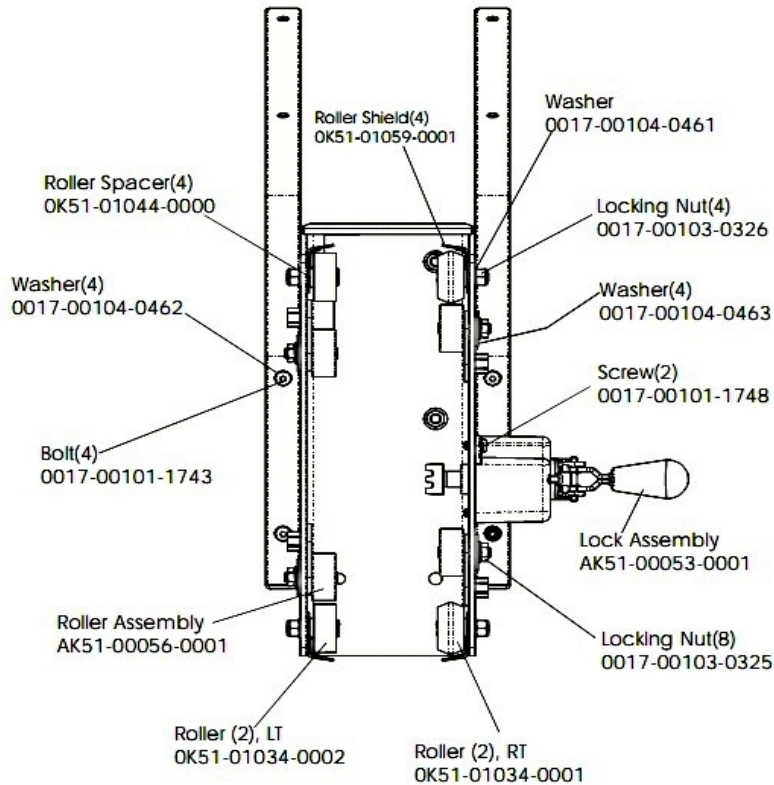
Ref #	Part Number	Qty	Description
-	OK39-01043-0000	1	Resistor Retainer
-	AK39-00006-0000	1	Power Cable
-	OK63-01166-0000	1	Resistor Mounting Rod
-	0017-00104-0309	2	Hardware: Washer 1.12" OD
-	OK39-01036-0000	1	Resistor Bracket
-	100E-00002-0092	1	Resistor .5 OHM 240 Watt
-	AK39-00020-0001	1	Resistor Assembly
-	0017-00103-0081	3	Hardware: Hex Nut ID
-	0017-00101-1282	2	Hardware: TORX Screw 0.375"

Seat Assembly



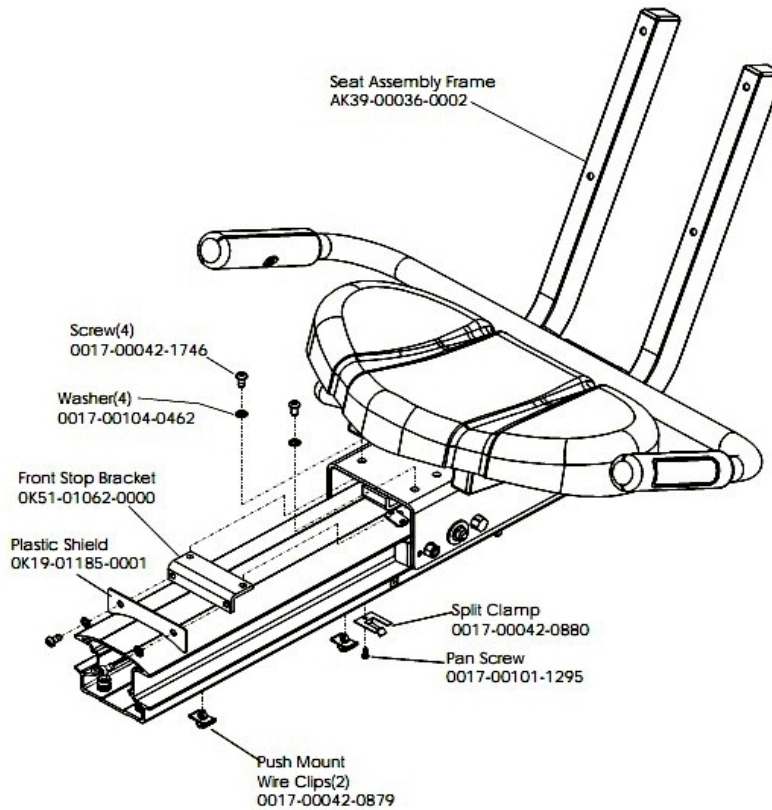
Ref #	Part Number	Qty	Description
-	AK39-00024-0002	1	Handlebar with Insert
-	0017-00042-0866	1	Hardware: Hole Bushing - 3/4"
-	0017-00101-1745	4	Hardware: Screw 0.875"
-	0K19-01230-0000	1	Cable Sleeve
-	AK51-00023-0003	1	Seat Assembly
-	0K19-01222-0000	4	Double-sided Foam Tape
-	0K19-01221-0000	1	Hardware: Upper Flex Cable Clamp
-	0K19-01208-0001	4	End Cap
-	AK19-00082-0001	1	Flat Flex Cable
-	AK63-00014-0003	1	Heart Rate Electrode
-	0017-00104-0461	8	Hardware: Flat Washer 0.602" OD
-	0017-00101-1749	4	Hardware: Hex Bolt 1.25"
-	0017-00101-1282	2	Hardware: TORX Screw 0.375"

Seat Assembly - Bottom



Ref #	Part Number	Qty	Description
-	0017-00101-1748	2	Hardware: Screw 0.5"
-	0017-00103-0326	1	Hardware: Locking Nut 5/16" ID
-	0017-00104-0461	1	Hardware: Flat Washer 0.602" OD
-	0017-00103-0325	8	Hardware: Locking Nut 5/16" ID
-	OK51-01034-0002	2	Seat Roller: Left
-	OK51-01059-0001	4	Roller Shield
-	0017-00104-0462	4	Hardware: Flat Washer 0.478" OD
-	AK51-00056-0001	1	Roller Assembly
-	OK51-01034-0001	2	Seat Roller: Right
-	0017-00101-1743	4	Hardware: Mounting Screw 2.25"
-	OK51-01044-0000	4	Roller Spacer
-	0017-00104-0463	4	Hardware: Flat Washer 1.125" OD
-	AK51-00053-0001	1	Lock Assembly

Seat Frame Assembly

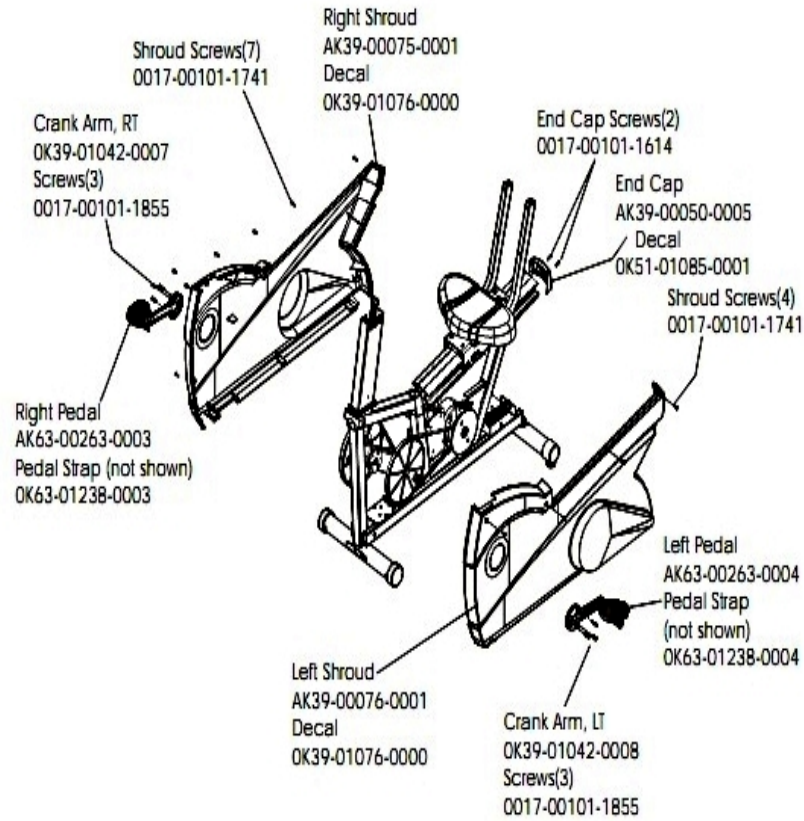


Ref #	Part Number	Qty	Description
-	0017-00042-0880	1	Hardware: Split Clamp
-	0017-00101-1295	1	Hardware: Pan Screw 0.375"
-	0017-00101-1746	4	Hardware: Console Support Cap Screw
-	0017-00042-0879	1	Hardware: Push Mount Wire Clip
-	AK39-00036-0002	1	Seat Assembly Frame
-	OK19-01185-0001	1	Plastic Shield
-	0017-00104-0462	4	Hardware: Flat Washer 0.478" OD
-	OK51-01062-0000	1	Front Stop Bracket

Seat Pads and Accessory Tray

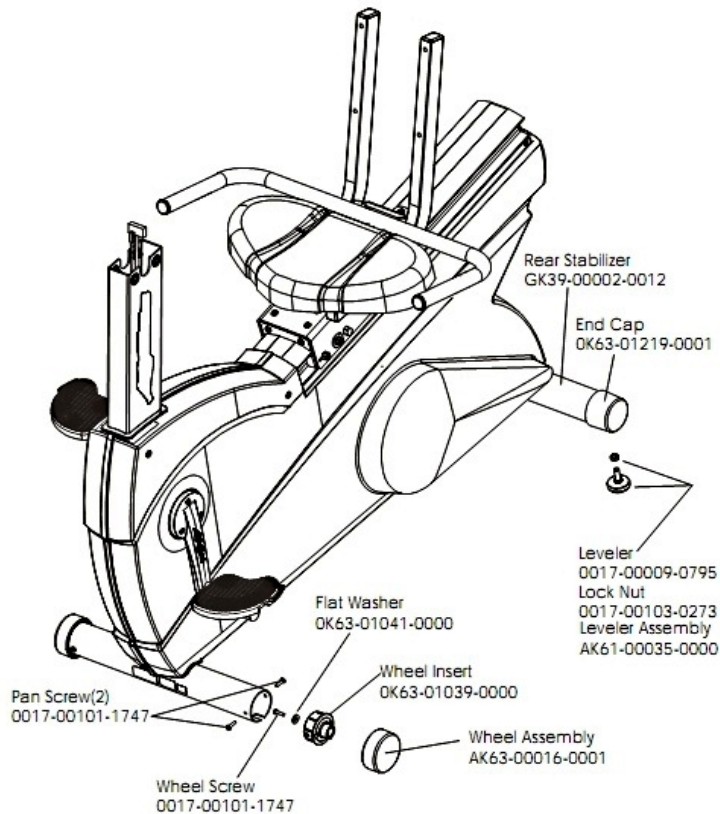
Ref #	Part Number	Qty	Description
-	0017-00104-0462	4	Hardware: Flat Washer 0.478" OD
-	0K51-01054-0001	1	Seat Bottom
-	0K51-01055-0001	1	Seat Back
-	AK39-00052-0003	1	Accessory Tray
-	0017-00101-1743	4	Hardware: Mounting Screw 2.25"

Shrouds, End Caps and Pedals



Ref #	Part Number	Qty	Description
-	OK39-01076-0000	2	Decal
-	OK51-01085-0001	1	Decal
-	OK63-01238-0003	1	Right Pedal Strap
-	AK39-00050-0005	1	End Cap
-	OK63-01238-0004	1	Left Pedal Strap
-	AK39-00076-0001	1	Shroud with Decal - Left
-	AK63-00263-0003	1	Pedal: Right
-	AK63-00263-0004	1	Pedal: Left
-	OK39-01042-0008	1	Crank Arm: Left
-	OK39-01042-0007	1	Crank Arm: Right
-	0017-00101-1741	11	Hardware: Screw
-	0017-00101-1614	2	Hardware: Screw 0.625"
-	0017-00101-1855	6	Hardware: TORX Screw 0.875"
-	AK39-00075-0001	1	Shroud with Decal - Right

Wheel and Leveler



Ref #	Part Number	Qty	Description
-	0017-00009-0795	2	Leg Leveler
-	OK63-01041-0000	2	Hardware: Flat Washer
-	AK61-00035-0000	2	Leg Leveler
-	AK63-00016-0001	2	Wheel/Bearing Assembly
-	GK39-00002-0012	1	Rear Stabilizer
-	0017-00103-0273	2	Hardware: Hex Nut 3/8" ID
-	OK63-01219-0001	2	End Cap
-	OK63-01039-0000	2	Wheel Insert
-	0017-00101-1747	6	Hardware: Pan Screw 0.75"

