

95RWEZ Recumbent - English/English

95RWEZ-0000-04

Parts Manual

1/5/2019 10:16:09 AM

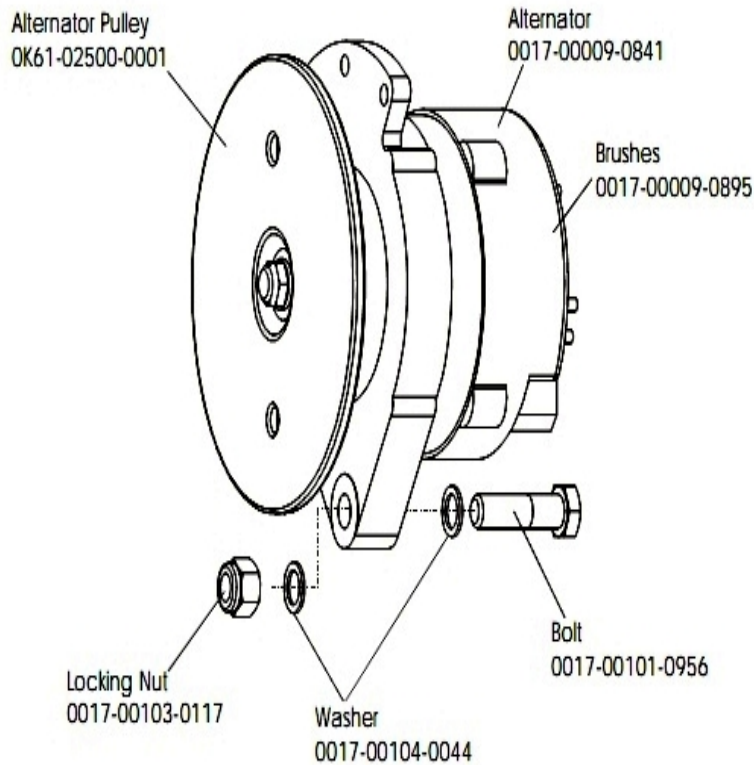


LifeFitness
WHAT WE LIVE FOR

Table of Contents

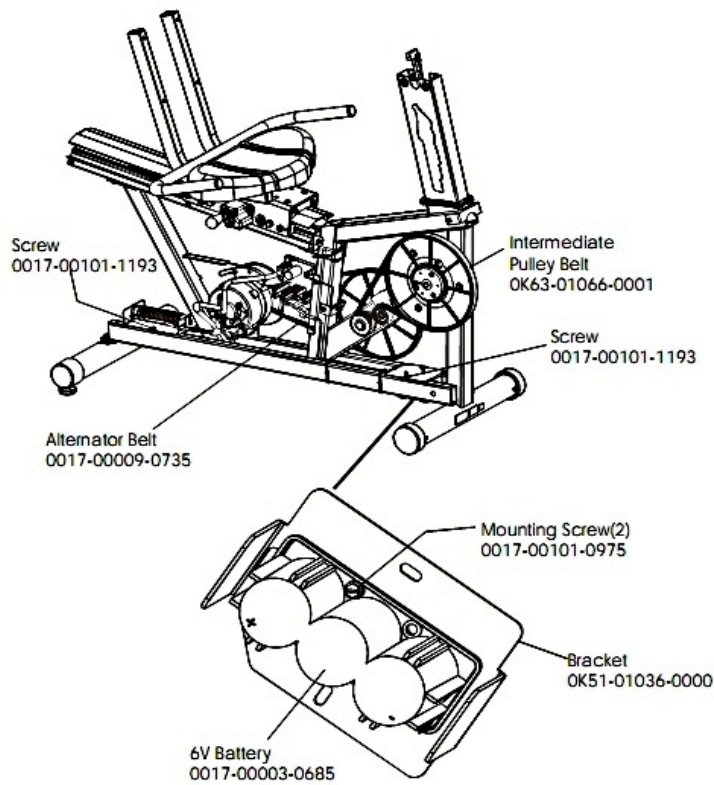
Alternator with Pulley Assembly	3
Belts and 6V Battery	4
Cables	5
Console Components	6
Crankshaft and Bearing Assembly	7
Extrusion Assembly	8
Idler Bracket Assembly	9
Intermediate Shaft and Bearing Assembly	10
Power Control Board	11
References	12
Resistor Assembly	13
Seat Assembly	14
Seat Assembly - Bottom	15
Seat Frame Assembly	16
Seat Locking Assembly	17
Seat Pads and Accessory Tray	18
Shrouds, End Caps and Pedals	19
Wheel and Leveler	20

Alternator with Pulley Assembly



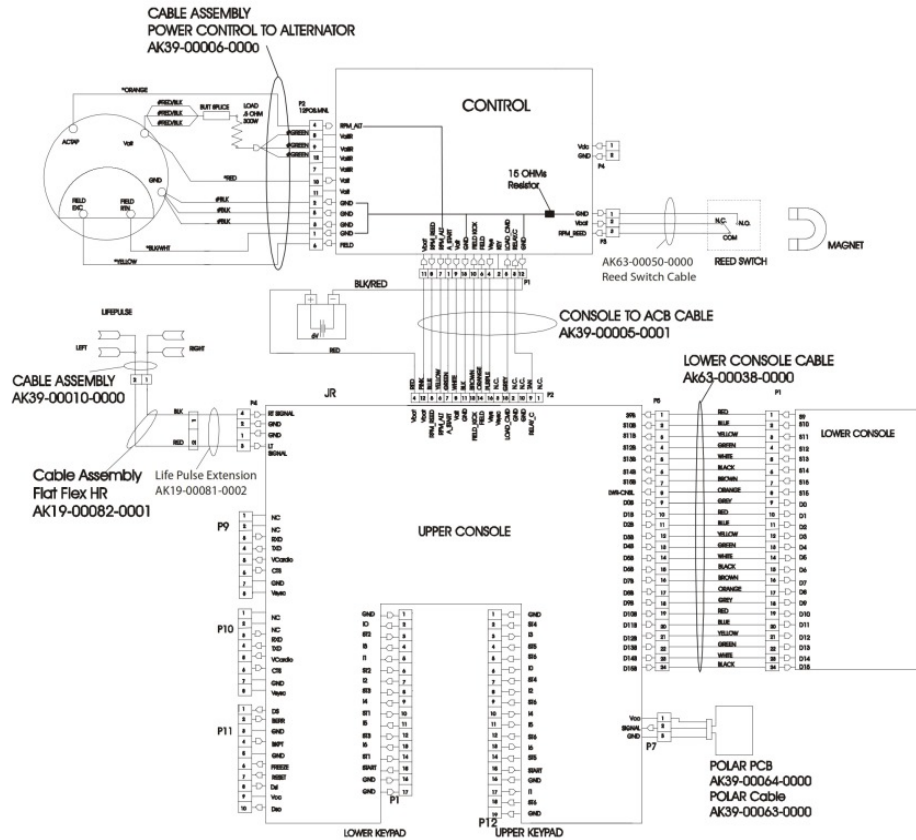
Ref #	Part Number	Qty	Description
-	OK61-01027-0000	1	Flywheel: 6.75" D
-	0017-00103-0117	1	Hardware: Locking Nut 1/2" ID
-	AK63-00093-0000	1	Alternator w/Pulley
-	0017-00101-0956	1	Hardware: Bolt 2"
-	0017-00104-0044	2	Hardware: Washer 0.75" OD
-	0017-00009-0841	1	Alternator
-	0017-00009-0895	1	Alternator Brush Kit

Belts and 6V Battery



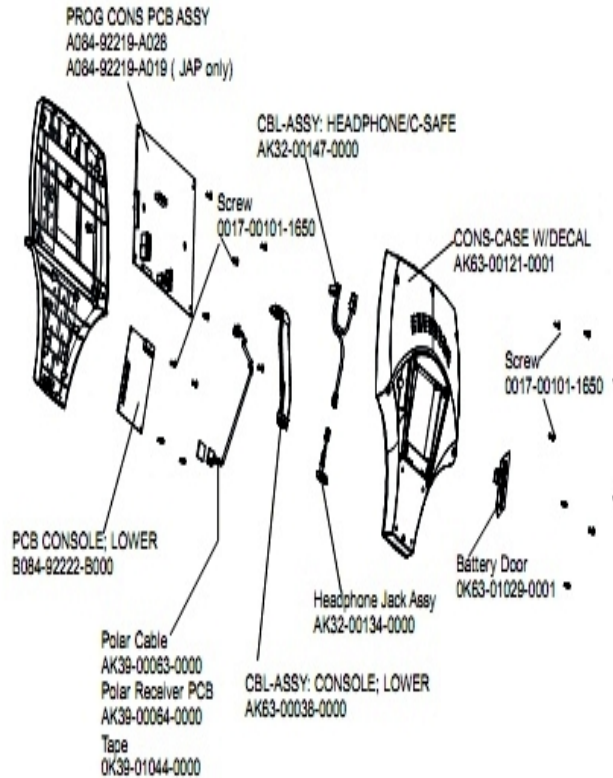
Ref #	Part Number	Qty	Description
-	GK63-00002-0079	1	Kit: Upright/Rec Belt And Pulley
-	0017-00101-0975	2	Hardware: Mounting Bolt 0.375"
-	0017-00101-1193	2	Hardware: Screw 0.375"
-	OK51-01036-0000	1	Battery Bracket
-	0017-00009-1324	1	Belt: Poly-V; 49.00 IN
-	0017-00003-0685	1	6V Battery

Cables



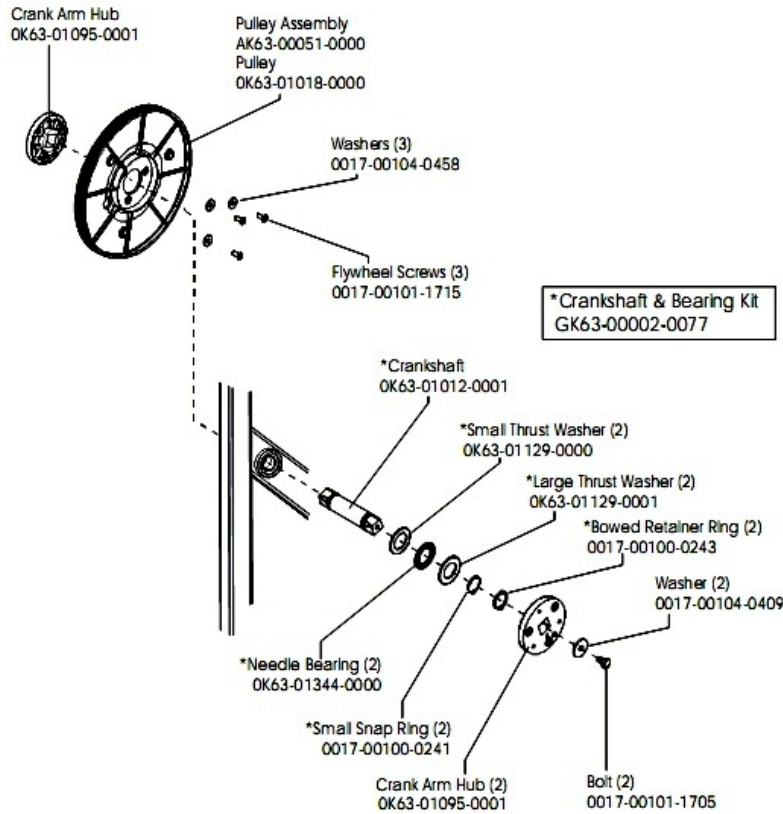
Ref #	Part Number	Qty	Description
-	AK39-00010-0000	1	Cable Assembly: 2-sensor Handlebar
-	AK39-00005-0001	1	10-Pin Connector Main Wiring Cable
-	AK19-00081-0002	1	Life Pulse Extension
-	AK63-00050-0000	1	Reed Switch Bracket Assembly

Console Components



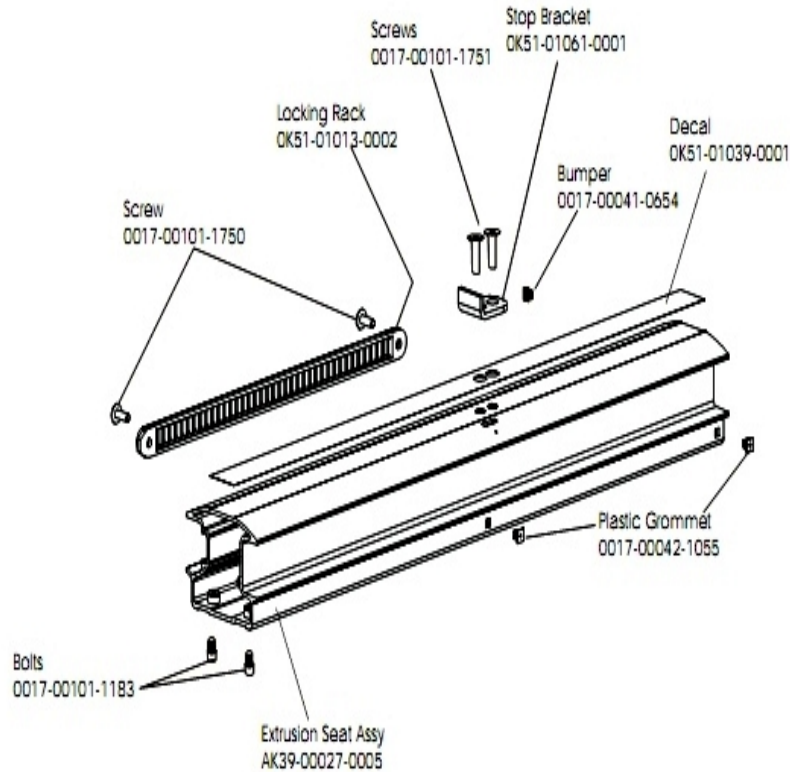
Ref #	Part Number	Qty	Description
-	AK63-00038-0000	1	Lower Console Cable
-	AK39-00063-0000	1	Polar Cable
-	B084-92222-B000	1	Console Board - Lower
-	0K39-01044-0000	1	Tape
-	AK32-00147-0000	1	Cable Headphone Assembly
-	AK63-00250-0001	1	Bezel/Switch with Overlay Assembly
-	0017-00101-1650	17	Hardware: Phillips Pan Screw 0.375"
-	AK63-00121-0001	1	Console Case Assembly
-	AK32-00134-0000	1	Headphone Jack Assembly
-	0K63-01029-0001	1	Battery Door
-	AK39-00134-0001	1	Console Assembly English
-	118E-00001-0259	1	Wireless Receiver Module, Non-Coded
-	A084-92219-A028	1	PCB Assembly

Crankshaft and Bearing Assembly



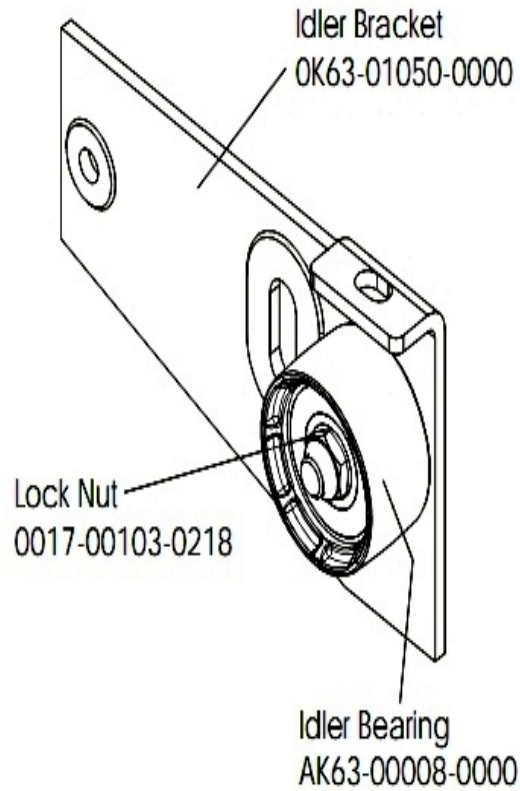
Ref #	Part Number	Qty	Description
-	0017-00101-1715	3	Hardware: TORX Cap Screw 0.625"
-	OK63-01129-0000	2	Hardware: Small Thrust Washer
-	0017-00104-0458	3	Hardware: Flat Washer 0.75" OD
-	OK63-01018-0000	1	Crank Pulley
-	0017-00104-0409	2	Hardware: Washer 1.125" OD
-	GK63-00002-0077	1	Crankshaft and Bearing Kit
-	AK63-00051-0000	1	Pulley Assembly
-	OK63-01344-0000	2	Hardware: Needle Bearing
-	0017-00101-1705	2	Hardware: Bolt 0.5"
-	0017-00100-0243	2	Hardware: Bowed Retaining Ring .984"
-	OK63-01129-0001	2	Hardware: Large Thrust Washer
-	OK63-01095-0001	3	Crank Arm Hub
-	OK63-01012-0001	1	Crankshaft
-	0017-00100-0241	2	Hardware: Small Snap Ring .984"

Extrusion Assembly



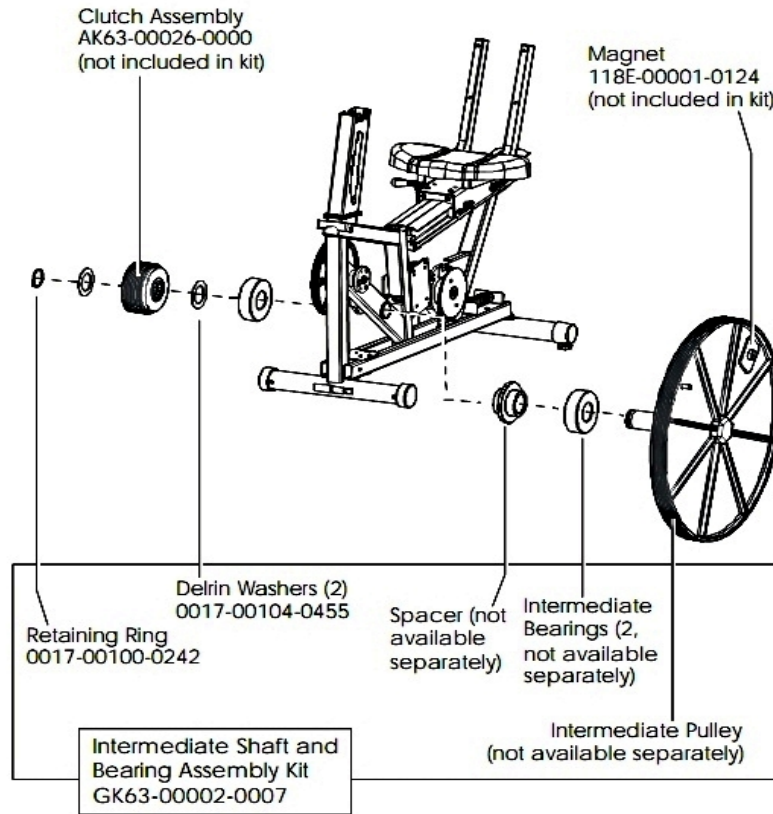
Ref #	Part Number	Qty	Description
-	0017-00041-0654	1	Bumper
-	AK39-00027-0005	2	Extrusion Seat Assembly
-	0017-00101-1751	2	Hardware: Screw 1"
-	OK51-01013-0002	1	Locking Rack
-	0017-00101-1183	2	Hardware: Bolt 0.75"
-	0017-00101-1750	2	Hardware: Screw 0.75"
-	OK51-01039-0001	1	Decal
-	OK51-01061-0001	1	Stop Bracket
-	0017-00042-1055	2	Hardware: Plastic Grommet

Idler Bracket Assembly



Ref #	Part Number	Qty	Description
-	AK63-00008-0000	1	Idler w/Bearing
-	OK63-01050-0000	1	Idler Bracket
-	AK63-00021-0000	1	Idler Bracket Assembly
-	0017-00103-0218	1	Hardware: Lock Nut 3/8" ID

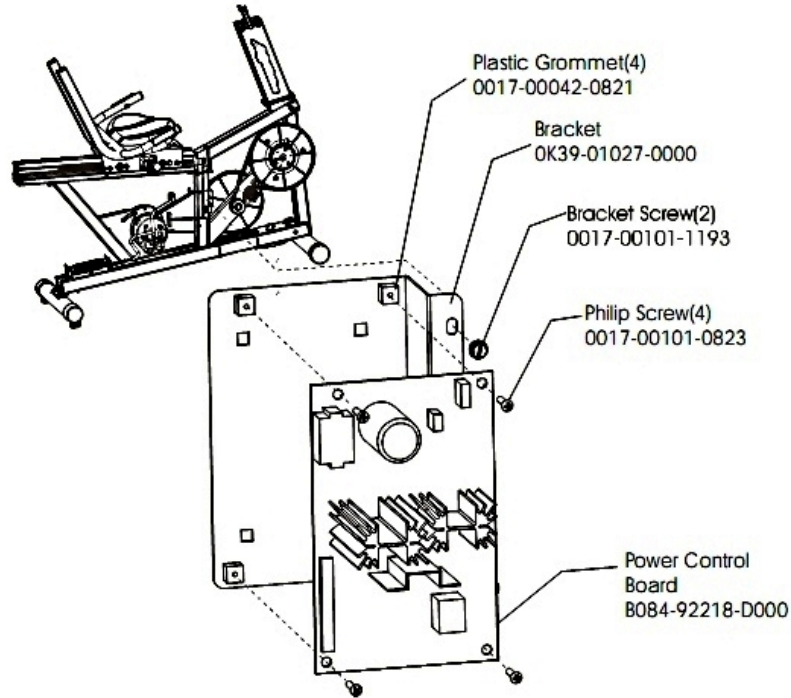
Intermediate Shaft and Bearing Assembly



Ref #	Part Number	Qty	Description
-	GK63-00002-0007	1	Intermediate Shaft and Bearing Assembly
-	0017-00100-0242	1	Hardware: Retaining Ring .781"
-	118E-00001-0124	1	Auto-Start Magnet
-	0017-00104-0455	2	Hardware: Delrin Washer 1.250" OD
-	GK63-00002-0079	1	Kit: Upright/Rec Belt And Pulley

Power Control Board

Assembly Number - AK39-00022-0001

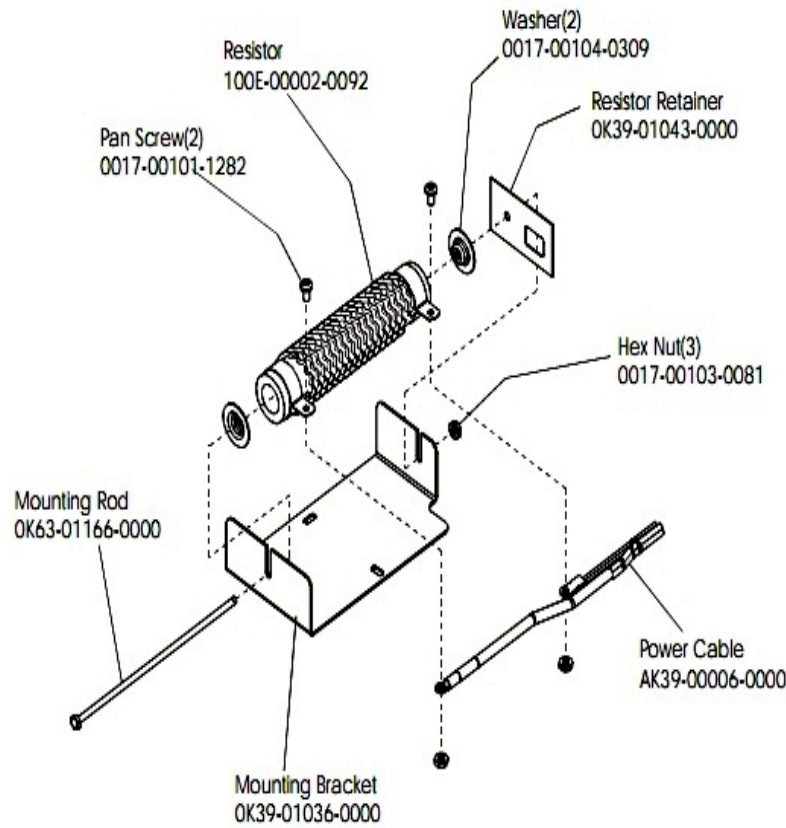


Ref #	Part Number	Qty	Description
-	0017-00042-0821	4	Hardware: Plastic Grommet
-	B084-92218-0000	1	PCB Circuit Board
-	AK39-00022-0001	1	PCB Assembly
-	OK39-01027-0000	1	PCB Bracket
-	0017-00101-0823	4	Hardware: Screw 0.75"

References

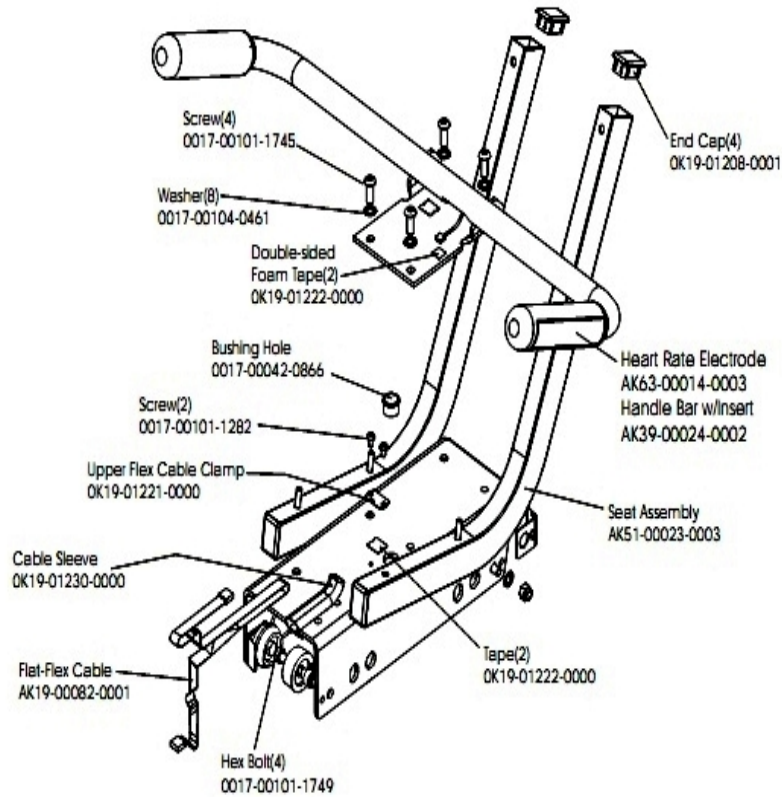
Ref #	Part Number	Qty	Description
-	0K39-01087-0000	1	Bracket
-	0017-00021-2846	1	F-Type Panel Connector
-	0017-00008-0205	1	5 oz Bottle - Arctic Silver
-	AK32-00020-0001	1	Coax Cable: 90"
-	0017-00008-0204	1	Paint Spray Can - Arctic Silver
-	AK32-00078-0001	1	Power Extension Cable: 120"
-	0017-00008-0206	1	.33oz Pen - Arctic Silver
-	AK39-00093-0000	1	Access Panel Assembly
-	GK39-00002-0002	1	Power Option Kit 120V
-	GK39-00002-0008	1	Hardware Bag

Resistor Assembly



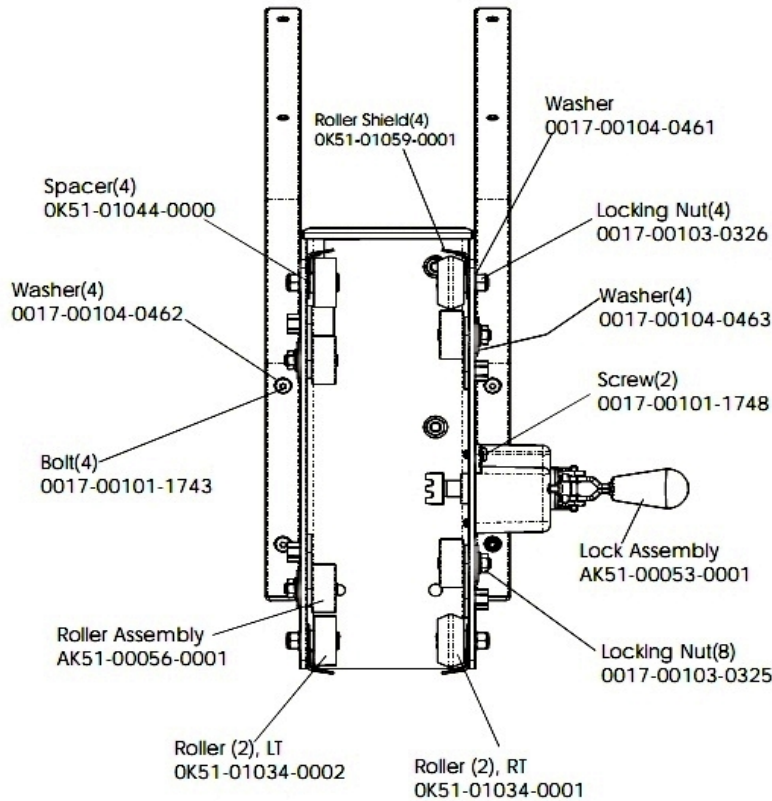
Ref #	Part Number	Qty	Description
-	0017-00103-0081	3	Hardware: Hex Nut ID
-	AK39-00020-0001	1	Resistor Assembly
-	100E-00002-0092	1	Resistor .5 OHM 240 Watt
-	0017-00101-1282	2	Hardware: TORX Screw 0.375"
-	OK39-01036-0000	1	Resistor Bracket
-	OK63-01166-0000	1	Resistor Mounting Rod
-	OK39-01043-0000	1	Resistor Retainer
-	AK39-00006-0000	1	Power Cable
-	0017-00104-0309	2	Hardware: Washer 1.12" OD

Seat Assembly



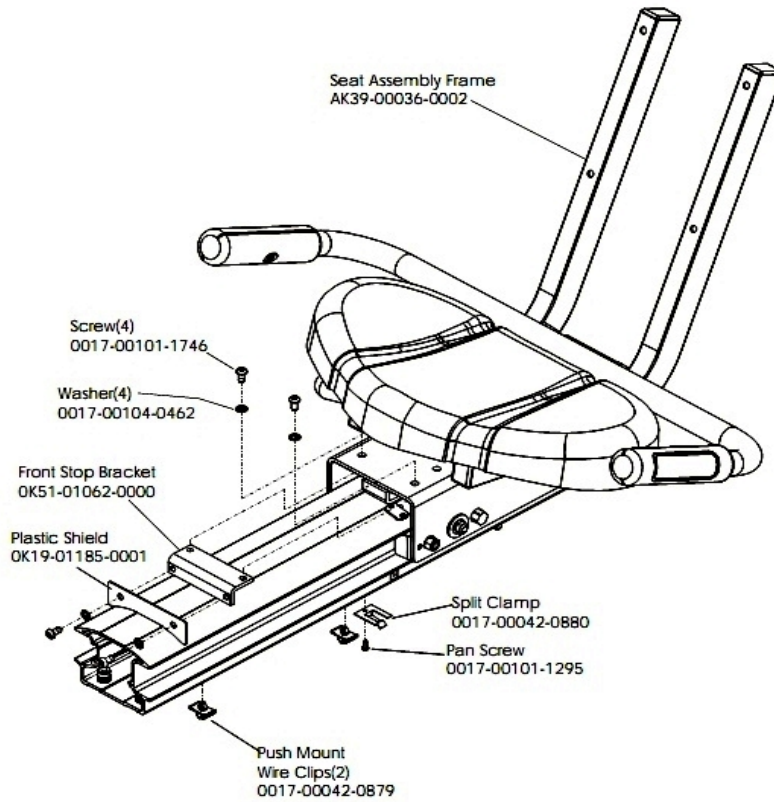
Ref #	Part Number	Qty	Description
-	AK19-00082-0001	1	Flat Flex Cable
-	0017-00042-0866	1	Hardware: Hole Bushing - 3/4"
-	OK19-01222-0000	4	Double-sided Foam Tape
-	AK51-00023-0003	1	Seat Assembly
-	0017-00101-1745	4	Hardware: Screw 0.875"
-	AK39-00024-0002	1	Handlebar with Insert
-	0017-00101-1282	2	Hardware: TORX Screw 0.375"
-	OK19-01230-0000	1	Cable Sleeve
-	AK63-00014-0003	1	Heart Rate Electrode
-	0017-00104-0461	8	Hardware: Flat Washer 0.602" OD
-	0017-00101-1749	4	Hardware: Hex Bolt 1.25"
-	OK19-01221-0000	1	Hardware: Upper Flex Cable Clamp
-	OK19-01208-0001	4	End Cap

Seat Assembly - Bottom



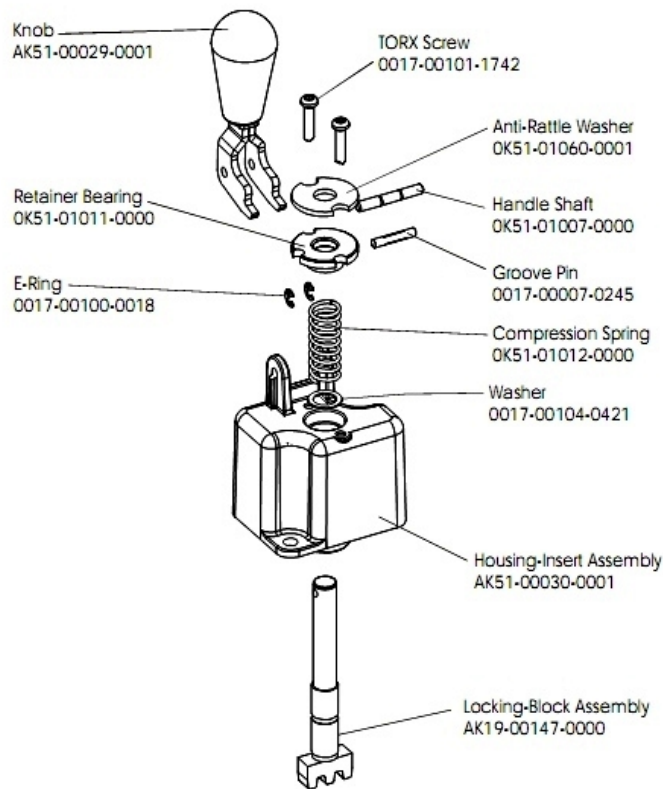
Ref #	Part Number	Qty	Description
-	0017-00104-0463	4	Hardware: Flat Washer 1.125" OD
-	OK51-01034-0002	2	Seat Roller: Left
-	OK51-01059-0001	4	Roller Shield
-	0017-00101-1748	2	Hardware: Screw 0.5"
-	OK51-01044-0000	4	Roller Spacer
-	0017-00104-0462	4	Hardware: Flat Washer 0.478" OD
-	AK51-00056-0001	1	Roller Assembly
-	0017-00103-0326	4	Hardware: Locking Nut 5/16" ID
-	0017-00101-1743	4	Hardware: Mounting Screw 2.25"
-	OK51-01034-0001	2	Seat Roller: Right
-	0017-00103-0325	8	Hardware: Locking Nut 5/16" ID
-	0017-00104-0461	1	Hardware: Flat Washer 0.602" OD
-	AK51-00053-0001	1	Lock Assembly

Seat Frame Assembly



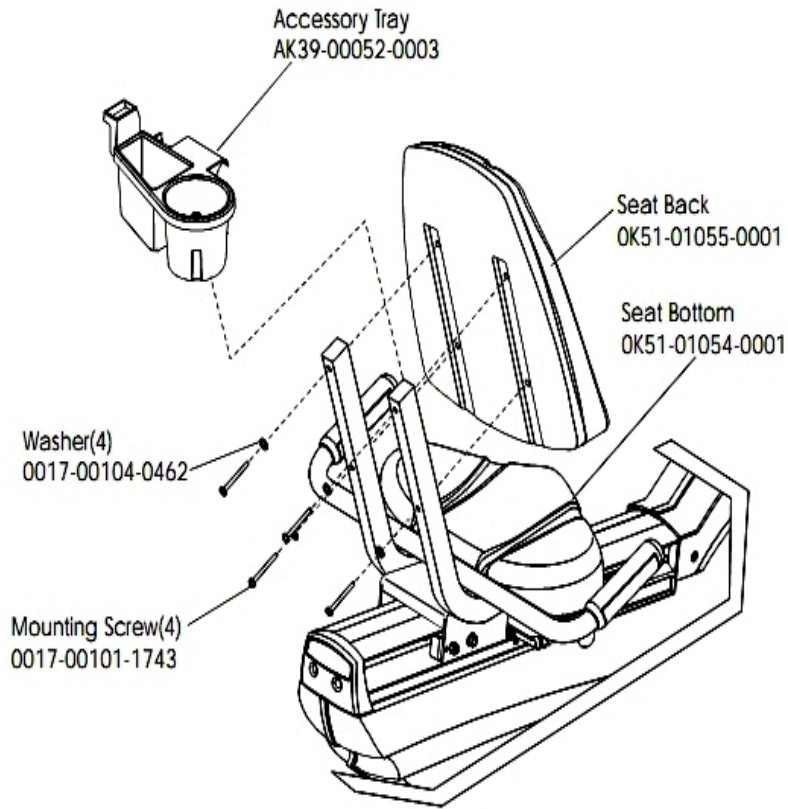
Ref #	Part Number	Qty	Description
-	OK51-01062-0000	1	Front Stop Bracket
-	0017-00042-0879	2	Hardware: Push Mount Wire Clip
-	0017-00042-0880	1	Hardware: Split Clamp
-	AK39-00036-0002	1	Seat Assembly Frame
-	OK19-01185-0001	1	Plastic Shield
-	0017-00104-0462	4	Hardware: Flat Washer 0.478" OD
-	0017-00101-1746	4	Hardware: Console Support Cap Screw
-	0017-00101-1295	1	Hardware: Pan Screw 0.375"

Seat Locking Assembly



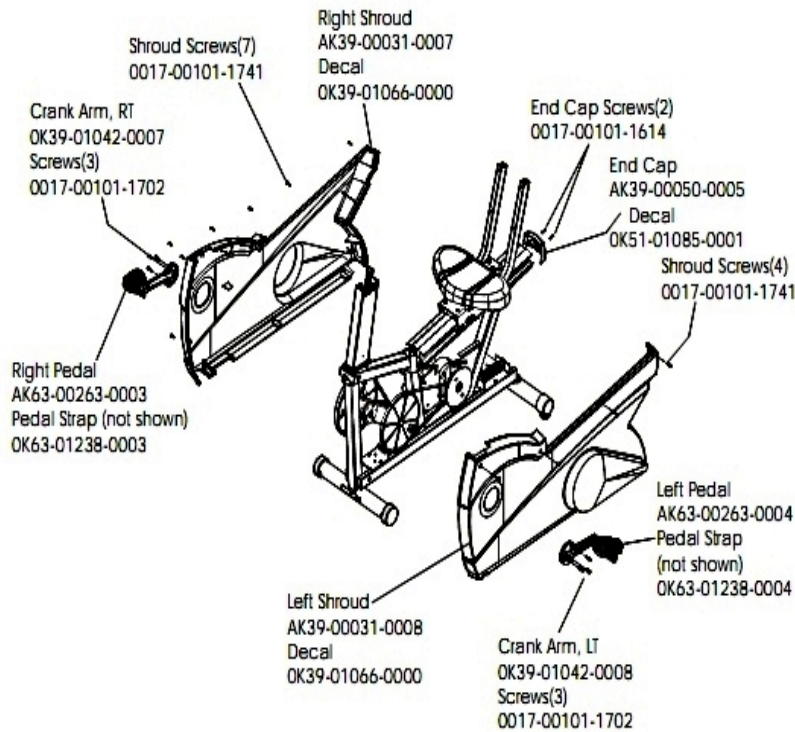
Ref #	Part Number	Qty	Description
-	0017-00007-0245	1	Hardware: Groove Pin 5/32" D 1.75" L
-	AK51-00053-0001	1	Lock Assembly
-	OK51-01007-0000	1	Handle Shaft
-	AK51-00029-0001	1	Knob
-	0017-00104-0421	1	Hardware: Flat Washer 0.64" OD
-	0017-00100-0018	2	Hardware: E-Ring .188"
-	OK51-01060-0001	1	Hardware: Anti-Rattle Washer
-	OK51-01011-0000	1	Hardware: Retainer Bearing
-	OK51-01012-0000	1	Compression Spring
-	AK51-00030-0001	1	Housing-Insert Assembly
-	0017-00101-1742	2	Hardware: TORX Screw 0.75"
-	AK19-00147-0000	1	Locking-Block Assembly

Seat Pads and Accessory Tray



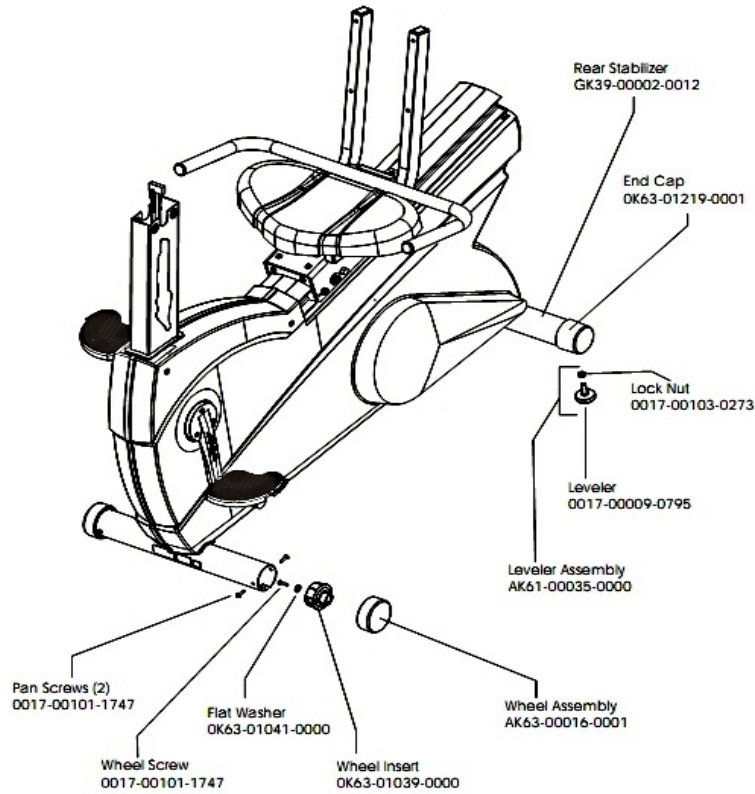
Ref #	Part Number	Qty	Description
-	0017-00104-0462	4	Hardware: Flat Washer 0.478" OD
-	OK51-01054-0001	1	Seat Bottom
-	OK51-01055-0001	1	Seat Back
-	AK39-00052-0003	1	Accessory Tray
-	0017-00101-1743	4	Hardware: Mounting Screw 2.25"

Shrouds, End Caps and Pedals



Ref #	Part Number	Qty	Description
-	AK39-00031-0007	1	Shroud with Decal - Right
-	OK39-01066-0000	2	Decal
-	0017-00101-1614	2	Hardware: Screw 0.625"
-	0017-00101-1741	11	Hardware: Screw
-	OK39-01042-0007	1	Crank Arm: Right
-	OK39-01042-0008	1	Crank Arm: Left
-	OK63-01238-0004	1	Left Pedal Strap
-	AK39-00050-0005	1	End Cap
-	AK39-00031-0008	1	Shroud with Decal - Left
-	AK63-00263-0003	1	Pedal: Right
-	0017-00101-1702	6	Hardware: Screw
-	OK63-01238-0003	1	Right Pedal Strap
-	AK63-00263-0004	1	Pedal: Left
-	OK51-01085-0001	1	Decal

Wheel and Leveler



Ref #	Part Number	Qty	Description
-	0017-00009-0795	2	Leg Leveler
-	OK63-01041-0000	2	Hardware: Flat Washer
-	AK61-00035-0000	2	Leg Leveler
-	AK63-00016-0001	2	Wheel/Bearing Assembly
-	GK39-00002-0012	1	Rear Stabilizer
-	0017-00103-0273	2	Hardware: Hex Nut 3/8" ID
-	OK63-01219-0001	2	End Cap
-	OK63-01039-0000	2	Wheel Insert
-	0017-00101-1747	6	Hardware: Pan Screw 0.75"

