

# 95Si Stairclimber - Lifepulse - Arctric Silver

95S-0103-02

## Parts Manual

1/5/2019 10:18:59 AM

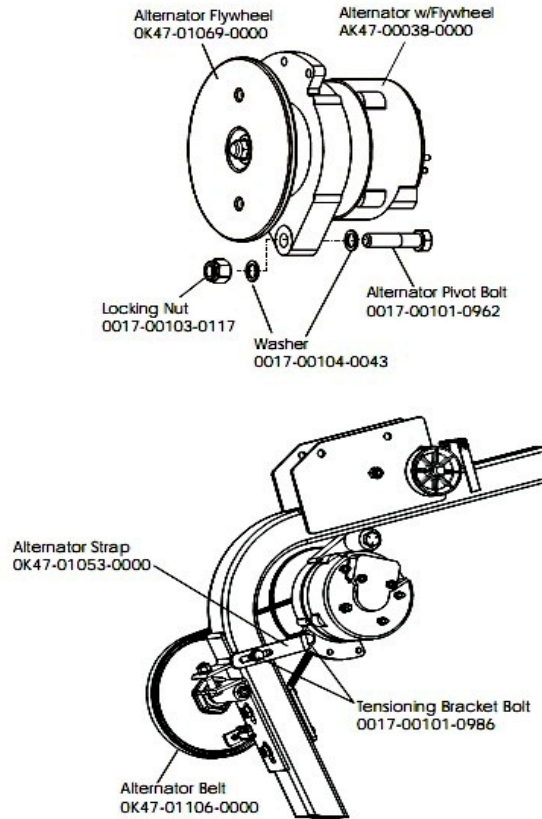


**Table of Contents**

---

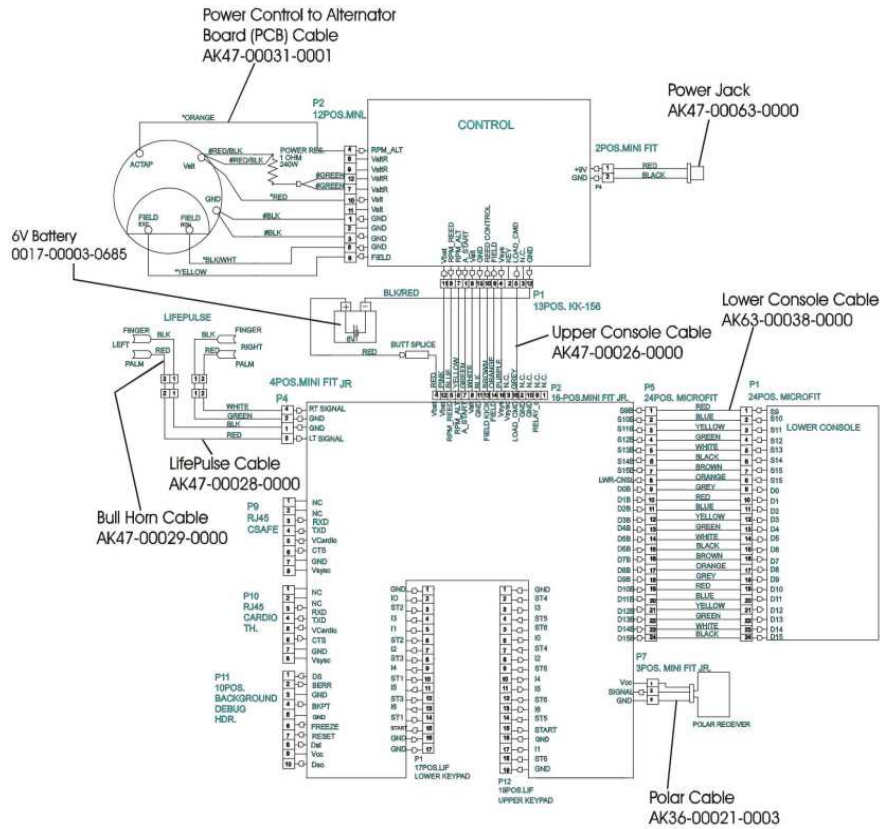
[Alternator Assembly](#).....3  
[Cables](#).....4  
[Clutch, Shaft and Pulley Assembly](#).....5  
[Console Components](#).....6  
[Crossover Pulley Assembly](#).....7  
[Frame Components](#).....8  
[Guide Rollers](#).....9  
[Left Clutch Assembly](#).....10  
[Miscellaneous](#).....11  
[Pedal Assembly](#).....12  
[Polar Receiver Assembly](#).....14  
[Power Control Board and Resistor](#).....15  
[Shrouds and Pedal Tube](#).....16

## Alternator Assembly



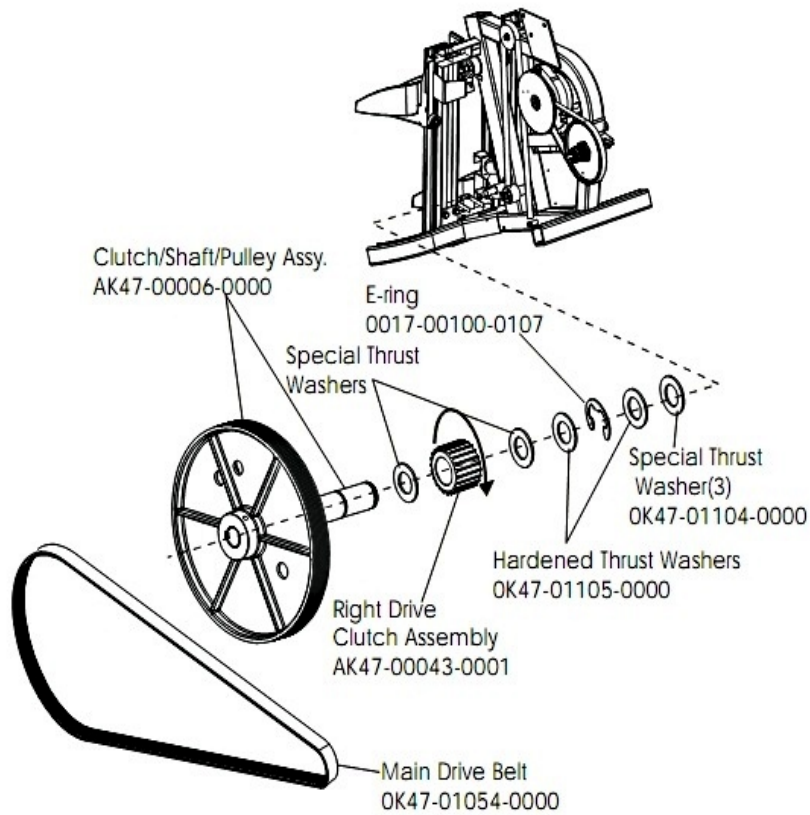
Ref #	Part Number	Qty	Description
-	0017-00103-0117	1	Hardware: Locking Nut 1/2" ID
-	AK47-00038-0000	1	Alternator with Flywheel
-	0017-00104-0043	2	Hardware: Flat Washer 0.734" OD
-	OK47-01230-0000	1	FLYWHEEL
-	OK47-01053-0000	1	Tensioning Bracket
-	0017-00101-0962	1	Hardware: Alternator Pivot Bolt 3.5"
-	0017-00101-0986	1	Hardware: Bolt 0.75"
-	OK47-01229-0000	1	BELT: POLY-V; 320J6; 32.00 IN.

### Cables



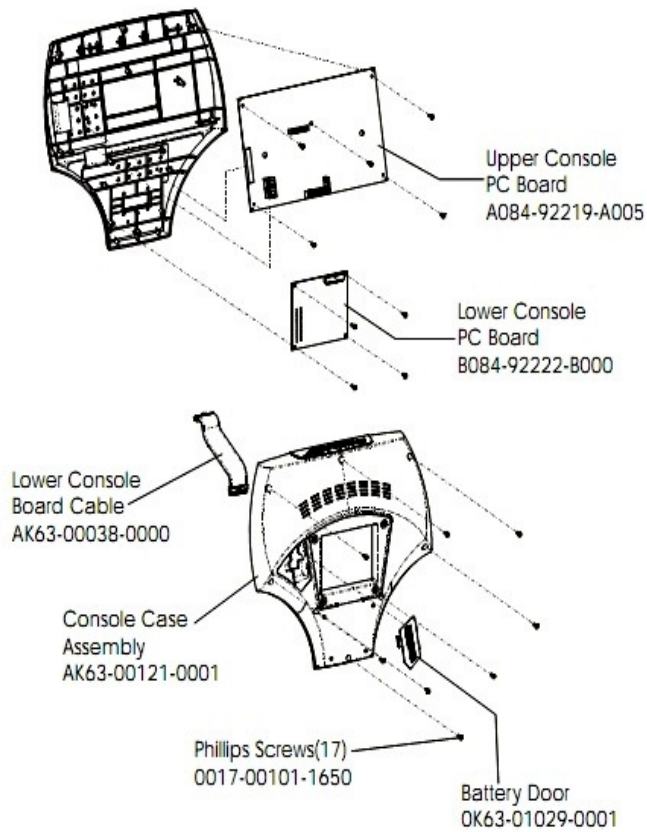
Ref #	Part Number	Qty	Description
-	AK47-00031-0001	1	Power Control Cable
-	AK36-00021-0003	1	Cable Assembly
-	AK63-00038-0000	1	Lower Console Cable
-	AK47-00026-0000	1	Upper Console Cable
-	0017-00003-0685	1	6V Battery
-	AK47-00063-0000	1	DC Power Cable
-	0017-00003-0704	1	Line Cord 10A 125 V
-	AK47-00028-0000	1	Lifepulse Cable
-	118E-00001-0267	2	Power Supply: External; 9V; 3 AMP
-	AK47-00029-0000	1	Lifepulse Cable

## Clutch, Shaft and Pulley Assembly



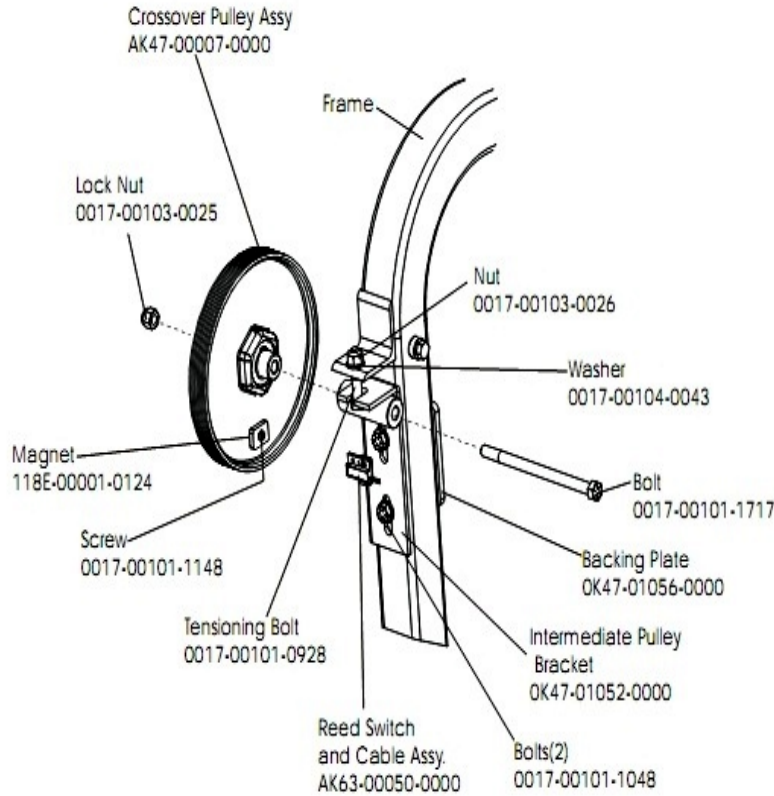
Ref #	Part Number	Qty	Description
-	AK47-00043-0001	1	Right Clutch Sprocket Assembly
-	OK47-01105-0000	2	Hardware: Hardened Thrust Washer
-	0017-00100-0107	1	Hardware: E-Ring 1"
-	GK47-00002-0036	1	KIT: STEPPER BELT AND PULLEY
-	OK47-01104-0000	3	Hardware: Thrust Washer
-	AK47-00006-0000	1	Clutchshaft Pulley Assembly

## Console Components



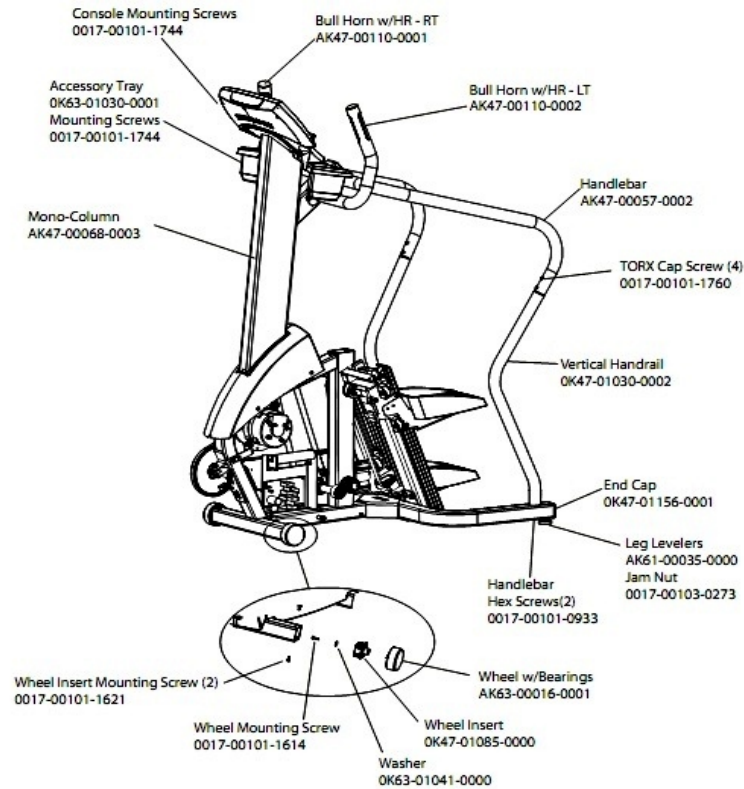
Ref #	Part Number	Qty	Description
-	B084-92222-B000	1	Console Board - Lower
-	AK63-00038-0000	1	Lower Console Cable
-	AK47-00098-0001	1	Overlay/Bezel/Switch Assembly English/Metric
-	OK63-01029-0001	1	Battery Door
-	AK63-00121-0001	1	Console Case Assembly
-	0017-00101-1650	17	Hardware: Phillips Pan Screw 0.375"
-	A084-92219-A005	1	Console Board - Upper
-	AK47-00094-0001	1	Console Assembly English/Metric

## Crossover Pulley Assembly



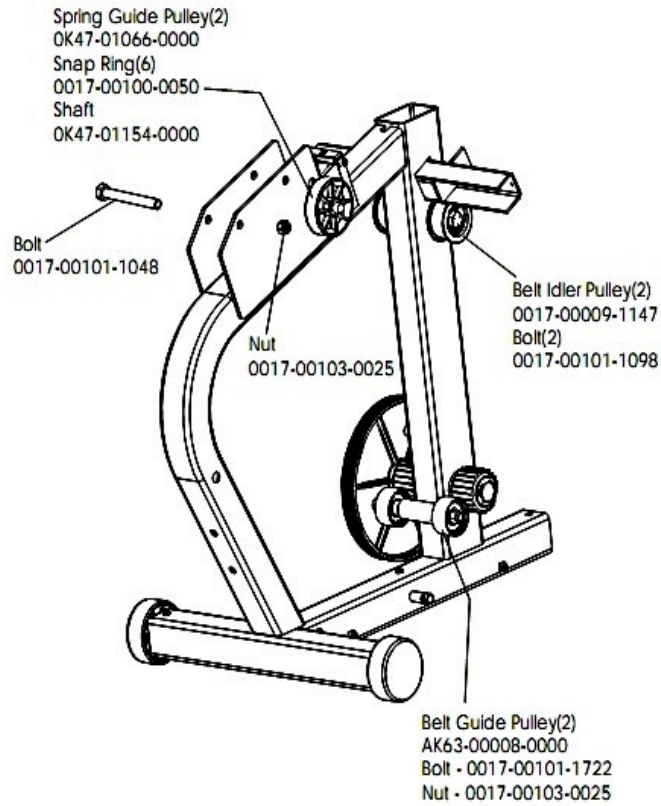
Ref #	Part Number	Qty	Description
-	118E-00001-0124	1	Auto-Start Magnet
-	0017-00101-0928	1	Hardware: Tensioning Bolt 1.75"
-	0017-00101-1048	2	Hardware: Bolt 3"
-	OK47-01056-0000	1	Plate
-	0017-00103-0026	1	Hardware: Hex Nut 3/8" ID
-	0017-00101-1148	1	Hardware: Phillips Pan Bolt 0.75"
-	AK47-00007-0000	1	Crossover Pulley Assembly
-	AK63-00050-0000	1	Reed Switch Bracket Assembly
-	0017-00104-0043	1	Hardware: Flat Washer 0.734" OD
-	0017-00101-1717	1	Hardware: Bolt 6"
-	0017-00103-0025	1	Hardware: Locking Nut 3/8" ID
-	OK47-01052-0000	1	Intermediate Pulley Bracket

# Frame Components



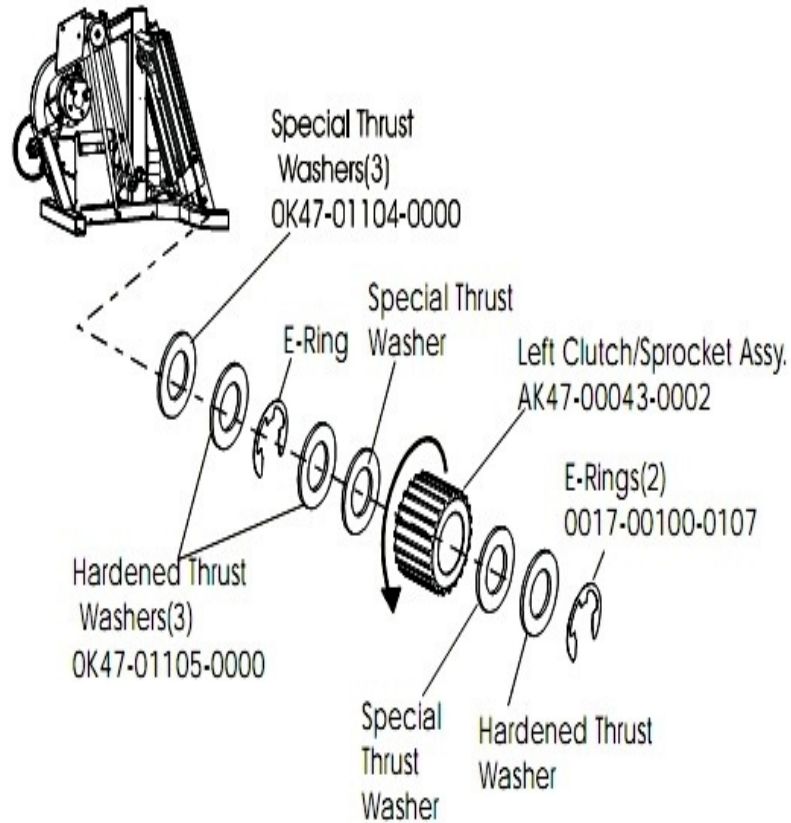
Ref #	Part Number	Qty	Description
-	0K47-01085-0000	2	Wheel Insert
-	0K47-01030-0002	2	Vertical Handrail
-	AK61-00035-0000	2	Leg Leveler
-	AK63-00016-0001	2	Wheel/Bearing Assembly
-	0017-00101-1614	2	Hardware: Screw 0.625"
-	AK47-00110-0001	1	Bullhorn with HR - Right
-	AK47-00110-0002	1	Bullhorn with HR - Left
-	AK47-00198-0000	1	Handle Bar
-	0K47-01156-0001	2	End Cap
-	0017-00101-0933	4	Hardware: Handlebar Hex Screws 1.5"
-	AK47-00068-0003	1	Mono-Column
-	0017-00101-1760	8	Hardware: TORX Cap Screw 0.625"
-	0017-00101-1621	4	Hardware: Phillips Screw 0.5"
-	0017-00101-1744	5	Hardware: Phillips Pan Screw
-	0017-00103-0273	2	Hardware: Hex Nut 3/8" ID
-	0K63-01030-0001	1	Accessory Tray
-	0K63-01041-0000	2	Hardware: Flat Washer

## Guide Rollers



Ref #	Part Number	Qty	Description
-	OK47-01154-0000	1	Spring Pulley Shaft
-	OK47-01066-0000	2	Return Spring Pulley
-	0017-00101-1048	1	Hardware: Bolt 3"
-	AK63-00008-0000	2	Idler w/Bearing
-	0017-00100-0050	6	Hardware: E-Ring .5"
-	0017-00101-1098	2	Hardware: Bolt 1.5"
-	0017-00103-0025	2	Hardware: Locking Nut 3/8" ID
-	0017-00009-1147	2	Belt Idler Pulley
-	0017-00101-1722	1	Hardware: Bolt 5"

## Left Clutch Assembly



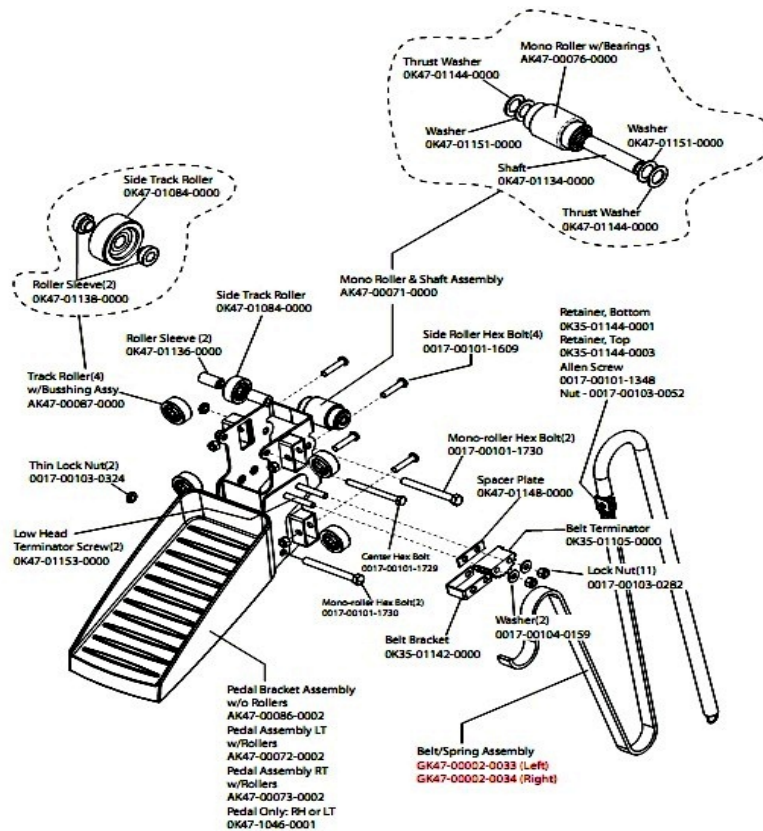
Ref #	Part Number	Qty	Description
-	AK47-00043-0002	1	Left Clutch Sprocket Assembly
-	OK47-01105-0000	3	Hardware: Hardened Thrust Washer
-	0017-00100-0107	2	Hardware: E-Ring 1"
-	OK47-01104-0000	3	Hardware: Thrust Washer

## Miscellaneous

---

Ref #	Part Number	Qty	Description
-	AK47-00106-0000	1	Hardware Bag
-	0017-00008-0206	1	.33oz Pen - Arctic Silver
-	0017-00008-0204	1	Paint Spray Can - Arctic Silver
-	0017-00008-0205	1	5 oz Bottle - Arctic Silver

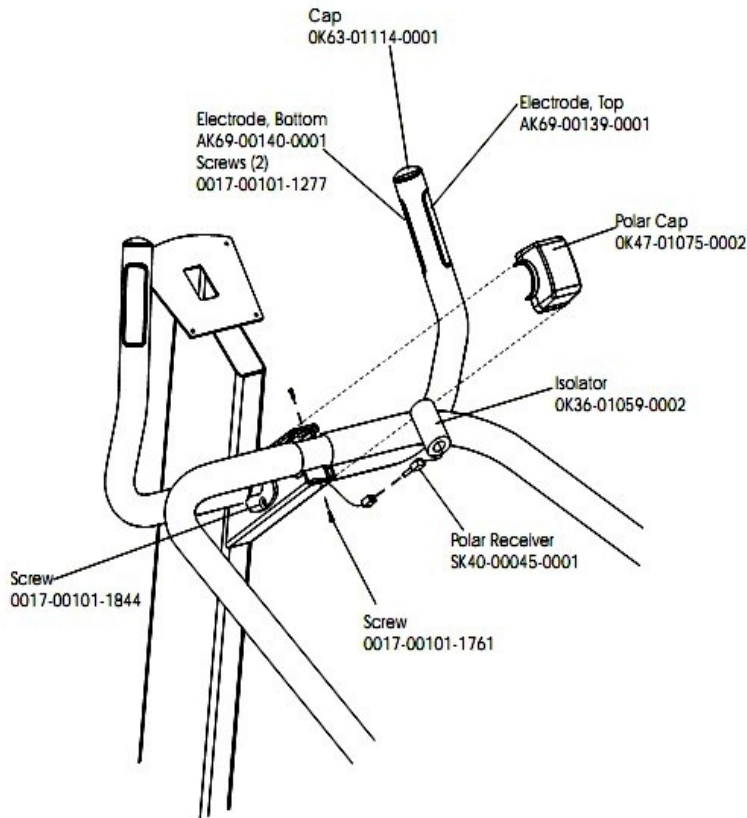
# Pedal Assembly



Ref #	Part Number	Qty	Description
-	0017-00101-1348	2	Hardware: Allen Screw 0.875"
-	OK47-01134-0000	2	Roller Shaft
-	AK47-00076-0000	2	Mono-Rollers w/Bearings
-	OK47-01084-0000	4	Side Track Roller
-	AK47-00086-0002	2	Pedal Bracket Assembly without Rollers
-	AK47-00071-0000	4	Mono Roller and Shaft Assembly
-	OK47-01151-0000	4	Hardware: Hardened Thrust Washer
-	OK47-01046-0001	2	Pedal Only: RH or LT
-	OK35-01144-0001	2	Retainer: Belt; Bottom
-	OK35-01142-0000	2	Hardware: Bracket
-	0017-00103-0052	2	Hardware: Locking Nut ID
-	0017-00101-1730	8	Hardware: Mono-roller Hex Bolt 3.5"
-	0017-00101-1729	2	Hardware: Center Hex Bolt 3.5"
-	0017-00101-1609	8	Hardware: Side Roller Hex Bolt 1.5"
-	0017-00104-0159	4	Hardware: Flat Washer 0.75" OD
-	0017-00103-0324	4	Hardware: Thin Lock Nut 3/8" ID
-	OK35-01105-0000	2	Hardware: Belt Terminator
-	OK35-01144-0003	2	Retainer: Belt; Top
-	AK47-00073-0002	1	Pedal Assembly with Rollers - Right
-	AK47-00087-0000	8	Side-Roller with Bushing Assembly
-	OK47-01153-0000	4	Hardware: Screw
-	OK47-01136-0000	4	Roller Sleeve

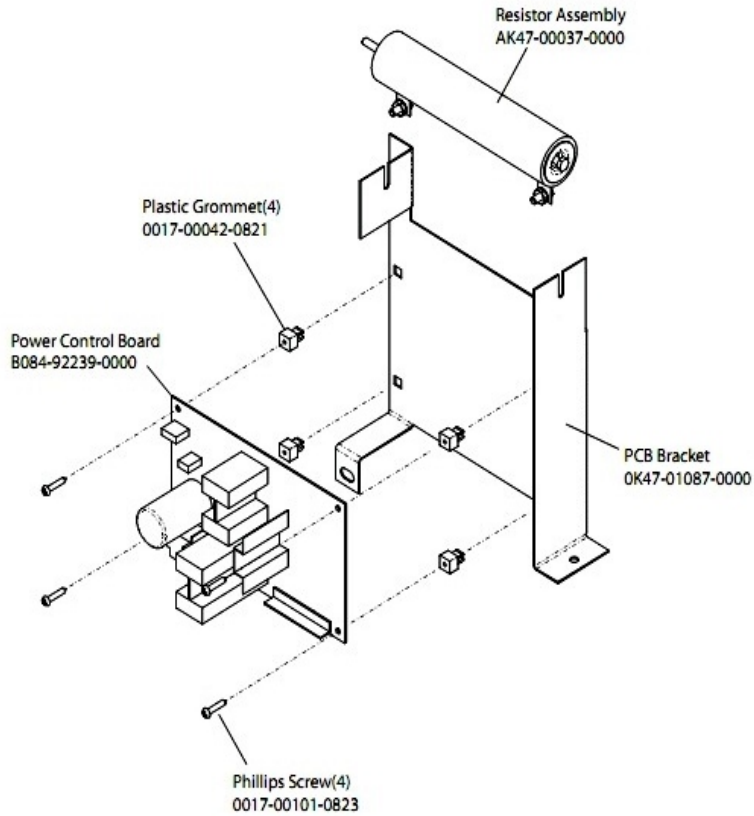
Ref #	Part Number	Qty	Description
-	0K47-01138-0000	4	Roller Sleeve
-	0K47-01144-0000	4	Hardware: Thrust Washer
-	0017-00103-0282	22	Hardware: Locking Nut 5/16" ID
-	AK47-00072-0002	1	Pedal Assembly with Rollers - Left
-	AK47-00154-0002	1	Belt/Spring Assembly
-	0K47-01148-0000	2	Hardware: Spacer Plate
-	AK47-00154-0001	1	SPRING-ASSY: MFG; RT. C

## Polar Receiver Assembly



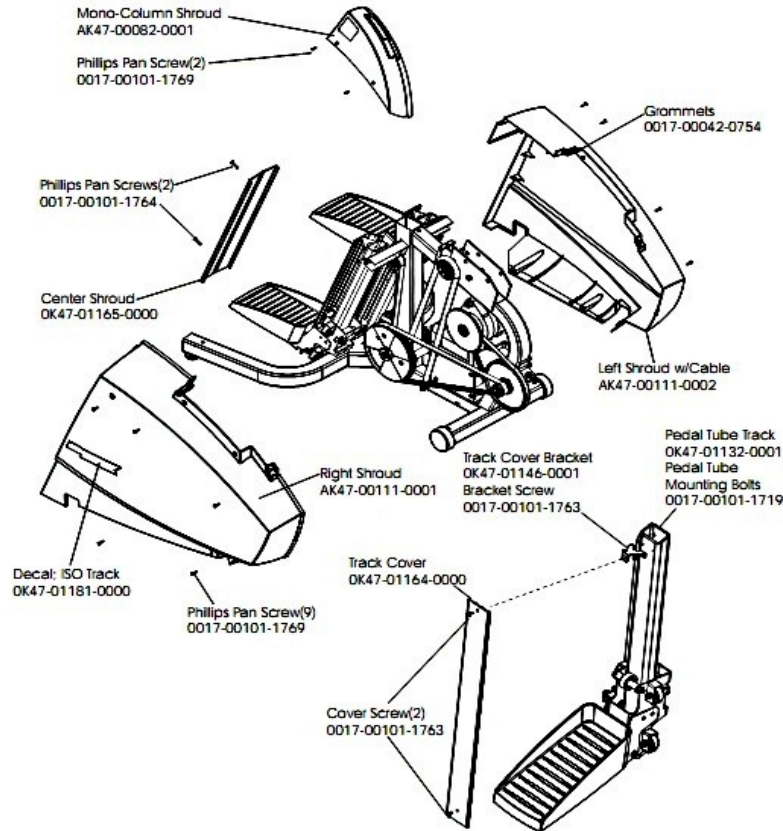
Ref #	Part Number	Qty	Description
-	OK47-01075-0001	1	Cap: Polar; Stealth; S/C-C
-	AK69-00139-0001	2	Electrode Top
-	0017-00101-1844	1	Hardware: Screw
-	0017-00101-1277	2	Hardware: Sensor Mounting Screw 1"
-	AK69-00140-0001	2	Electrode Bottom
-	0017-00101-1761	2	Hardware: Phillips Pan Screw 0.375"
-	OK63-01114-0001	2	Bullhorn Cap
-	SK40-00045-0001	1	Polar HR Kit
-	OK36-01059-0002	1	Insulator Receiver Tube

## Power Control Board and Resistor



Ref #	Part Number	Qty	Description
-	AK47-00037-0000	1	Resistor Assembly
-	OK47-01087-0000	1	PCB Bracket
-	0017-00101-0823	4	Hardware: Screw 0.75"
-	0017-00042-0821	4	Hardware: Plastic Grommet
-	B084-92239-0000	1	PCB

## Shrouds and Pedal Tube



Ref #	Part Number	Qty	Description
-	OK47-01146-0001	2	Track Cover Bracket
-	OK47-01181-0000	2	Decal
-	AK47-00111-0001	1	Shroud with Decal - Right
-	0017-00101-1764	2	Hardware: Phillips Pan Screw 1"
-	AK47-00082-0001	1	Mono-Column Shroud
-	0017-00042-0754	8	Hardware: Grommet
-	AK47-00111-0002	1	Shroud with Decal and Cable- Left
-	0017-00101-1719	2	Hardware: Pedal Tube Mounting Bolt 0.75"
-	OK47-01165-0001	1	Center Shroud
-	OK47-01132-0001	2	Pedal Tube
-	OK47-01164-0001	1	Track Cover
-	0017-00101-1763	5	Hardware: Phillips Pan Screw 0.375"
-	0017-00101-1769	11	Hardware: Phillips Pan Screw 0.75"

