

95Ti Treadmill - 4HP AC - Lifepulse

95T-0100-02

Parts Manual

1/5/2019 10:31:45 AM

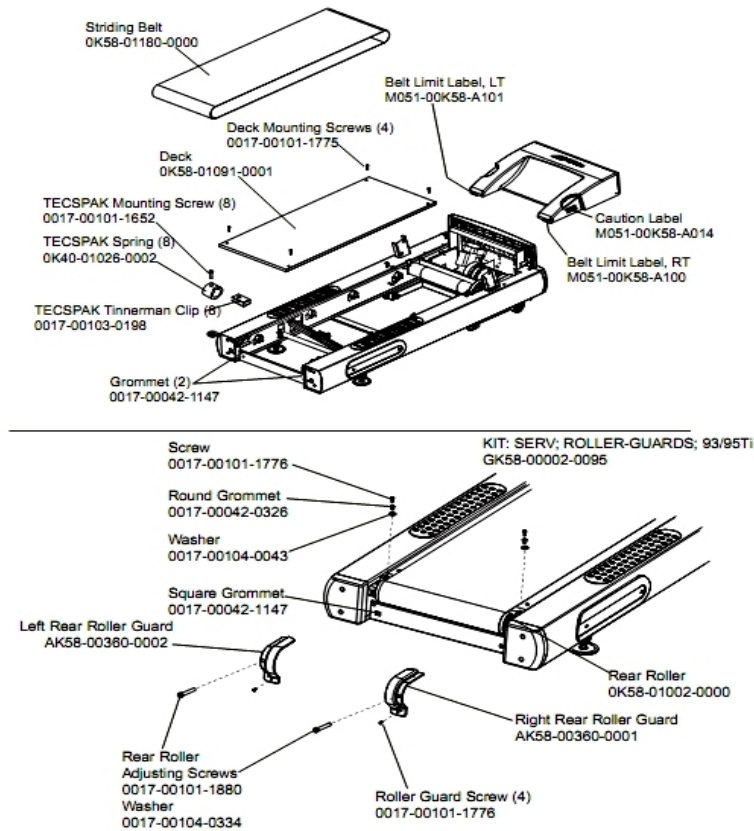


Lifefitness
WHAT WE LIVE FOR

Table of Contents

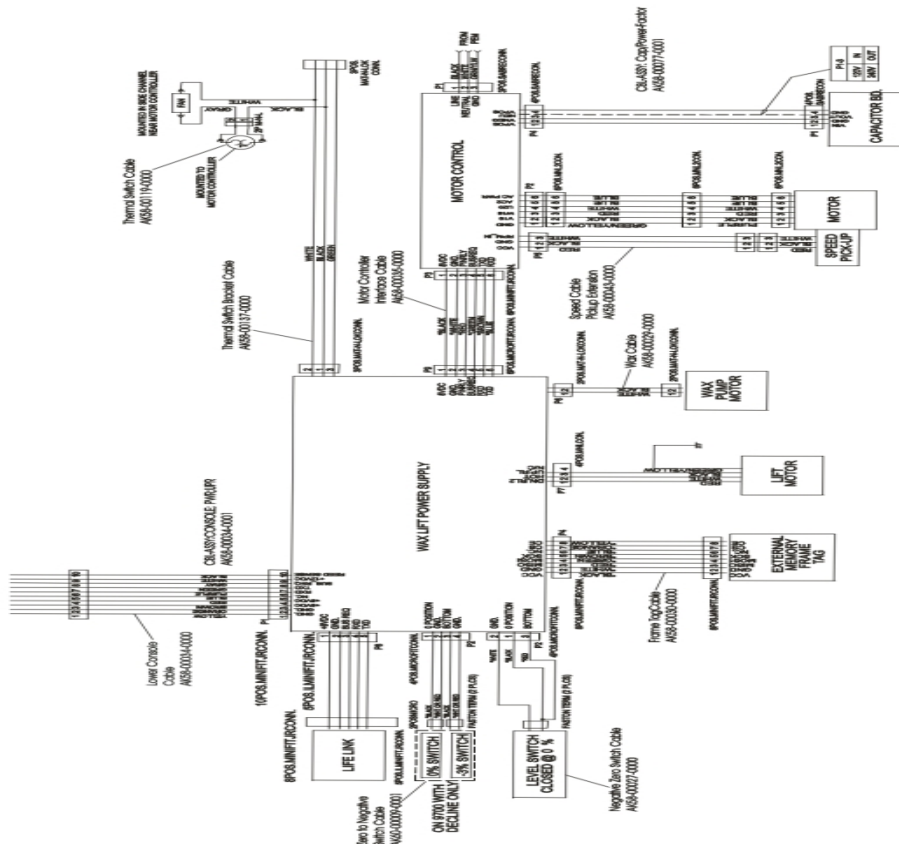
Belt, Deck and Rear Rollers.....	3
Cables.....	4
Console Assembly.....	5
Cover, End Caps and Hardware.....	6
Drive Motor Assembly.....	7
Ergo Bar with Lifepulse.....	8
Frame Assembly.....	9
Front Roller Assembly.....	10
General Assembly.....	11
Handrail Assembly.....	12
Idler Arm and Static Brush.....	13
Leveler Assembly.....	14
Lift Motor and Frame.....	15
Motor Controller Assembly.....	16
Power Components Schematic.....	17
Wax Components.....	18
Wax/Lift Assembly.....	19

Belt, Deck and Rear Rollers



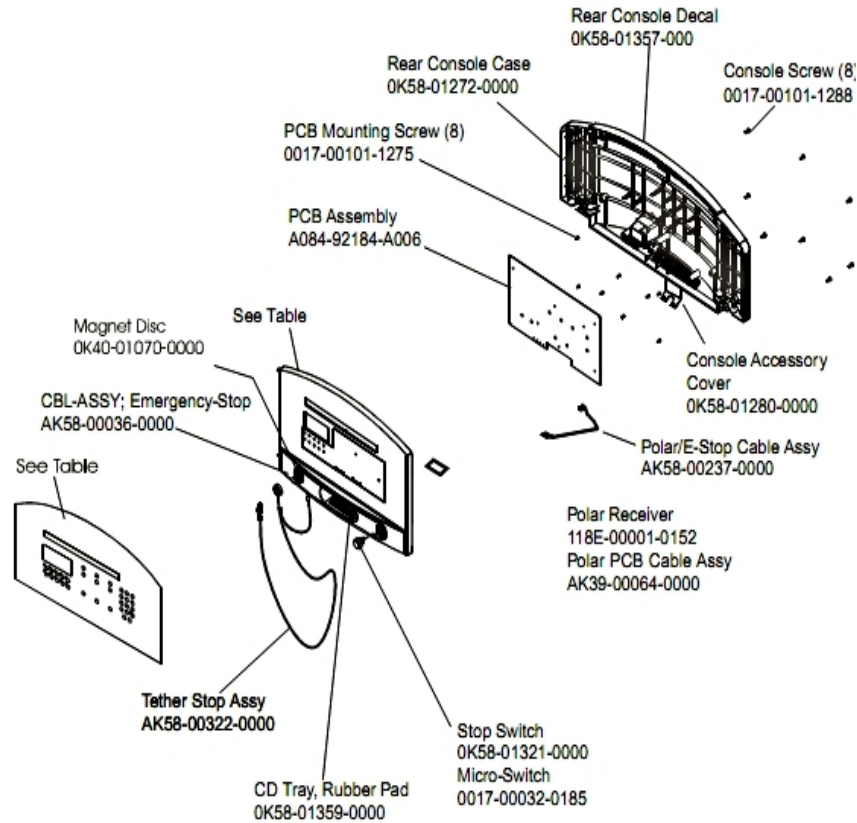
Ref #	Part Number	Qty	Description
-	0017-00103-0198	8	Hardware: Tinnerman Clip 1/4" ID
-	M051-00K58-A101	1	Belt Limit Label. Left
-	0K40-01026-0002	8	Deck Spring
-	AK58-00360-0001	1	Rear Roller Guard: Right
-	GK58-00002-0095	1	Roller Guard kit
-	0K58-01180-0000	1	Striding Belt
-	M051-00K58-A100	1	Label: Belt Limit: Right
-	AK58-00360-0002	1	Rear Roller Guard: Left
-	0017-00104-0043	2	Hardware: Flat Washer 0.734" OD
-	0K58-01002-0000	1	Rear Roller - 3.5"
-	0K58-01091-0001	1	Deck
-	M051-00K58-A014	1	Label: Caution
-	0017-00042-0326	2	Hardware: Plastic Grommet
-	0017-00042-1147	4	Hardware: Nylon Grommet
-	0017-00101-1652	8	Hardware: Spring Mounting Screw 1"
-	0017-00101-1880	1	Hardware: Tension Bolts 3"
-	0017-00104-0334	1	Hardware: Flat Washers 0.880" OD
-	0017-00101-1776	6	Hardware: Mounting Screw 0.5"
-	0017-00101-1775	4	Hardware: Deck Screws 1.25"

Cables



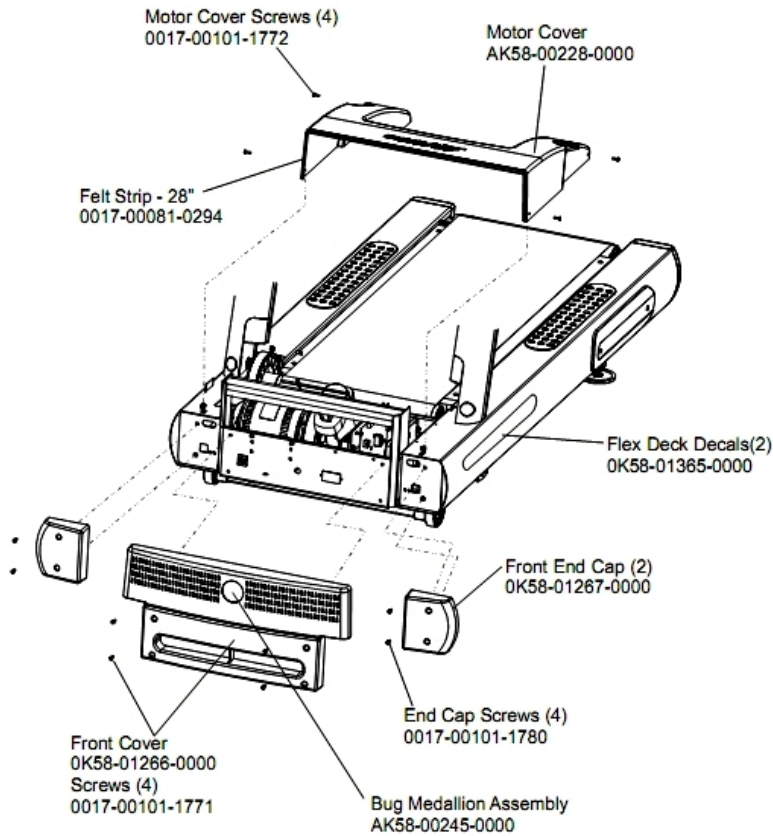
Ref #	Part Number	Qty	Description
-	AK58-00029-0000	1	Wax Pump Cable
-	AK58-00119-0000	1	Thermal Switch
-	AK60-00009-0001	1	Negative Switch Cable Assembly
-	AK58-00030-0000	1	Frame Tag Cable
-	AK58-00140-0000	1	Thermal Switch Assembly
-	AK58-00035-0000	1	Motor Controller Interface Cable
-	AK58-00027-0000	1	Limit Switch Cable
-	AK58-00077-0001	1	Cap Board Cable - Domestic
-	AK58-00034-0000	1	Console Cable
-	AK58-00043-0000	1	Speed Sensor Cable
-	AK58-00034-0001	1	Console Power Cable

Console Assembly



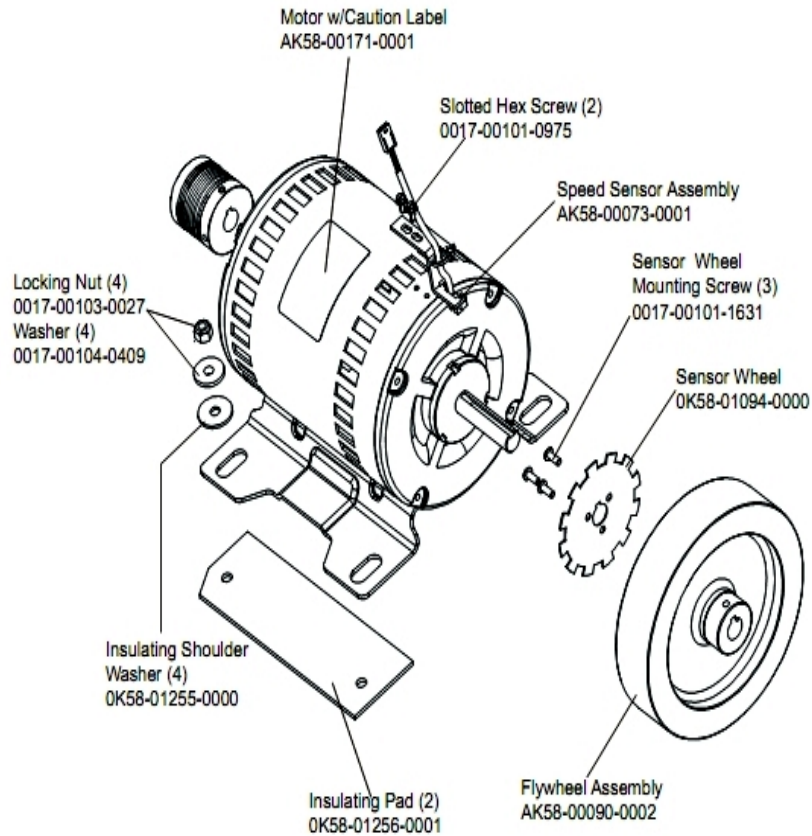
Ref #	Part Number	Qty	Description
-	118E-00001-0259	1	Wireless Receiver Module, Non-Coded
-	OK40-01070-0000	1	Magnetic Disk
-	OK58-01359-0000	1	Rubber Pad
-	AK58-00237-0000	1	Cable-Assembly: Polar/E-Stop
-	118E-00001-0244	1	Heart Rate Receiver
-	A084-92184-A006	1	PCB Assembly
-	OK58-01321-0000	1	Stop Switch
-	0017-00032-0185	1	Micro Switch 150GR
-	AK58-00197-0001	1	Console
-	OK58-01357-0000	1	Decal
-	0017-00101-1288	8	Hardware: Phillips Screw 0.5"
-	0017-00101-1275	8	Hardware: Phillips Screw 0.375"
-	AK58-00322-0000	1	Tether Stop Assembly
-	AK58-00203-0001	1	Overlay/Bezel Assembly English/Imperial
-	OK58-01272-0000	1	Rear Console Case
-	AK58-00036-0000	1	Cable-Assembly: Emergency-Stop Switch
-	OK58-01280-0000	1	Accessory Cover

Cover, End Caps and Hardware



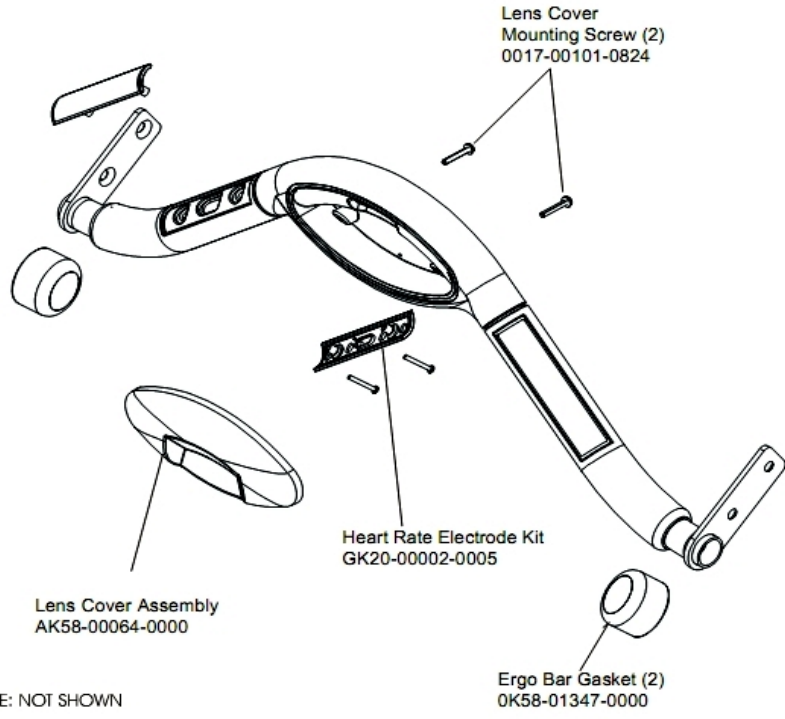
Ref #	Part Number	Qty	Description
-	0017-00101-1772	4	Hardware: Phillips Pan Screw 0.5"
-	0017-00101-1780	4	Hardware: Mounting Screws
-	AK58-00245-0000	1	Bug Medallion
-	0K58-01267-0000	2	End Cap
-	0K58-01365-0000	2	Decal
-	0K58-01266-0000	1	Front Cover
-	0017-00081-0294	1	Felt Strip - 28"
-	AK58-00228-0000	1	Motor Cover
-	0017-00101-1771	4	Hardware: Phillips Pan Screw

Drive Motor Assembly



Ref #	Part Number	Qty	Description
-	AK58-00171-0000	1	Motor with Caution Label
-	0017-00101-0975	2	Hardware: Mounting Bolt 0.375"
-	0017-00103-0027	4	Hardware: Locking Nut. 5/16" ID
-	0K58-01255-0000	4	Hardware: Insulating Washers
-	0K58-01256-0001	2	Insulating Pad
-	0K58-01094-0000	1	Sensor Wheel
-	AK58-00090-0002	1	Flywheel Assembly
-	0017-00104-0409	4	Hardware: Washer 1.125" OD
-	0017-00101-1631	3	Hardware: Sensor Wheel Mounting Screw
-	AK58-00073-0001	1	Speed Sensor Assembly

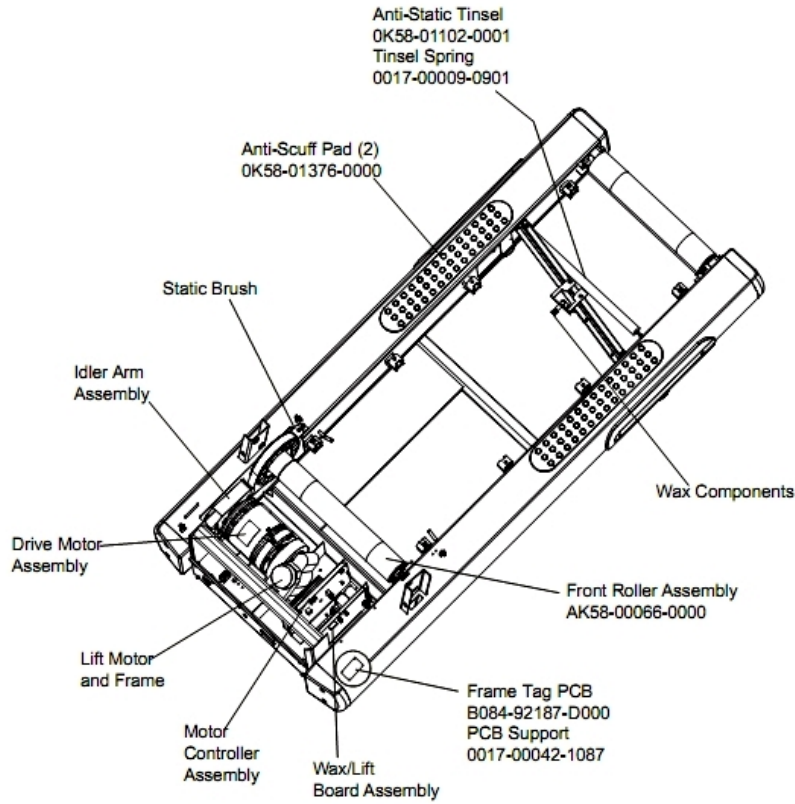
Ergo Bar with Lifepulse



*NOTE: NOT SHOWN
 CBL-ASSY: H/R Sensors
 AK58-00041-0001
 CBL-ASSY: User Sense Prox.
 AK58-00032-0000

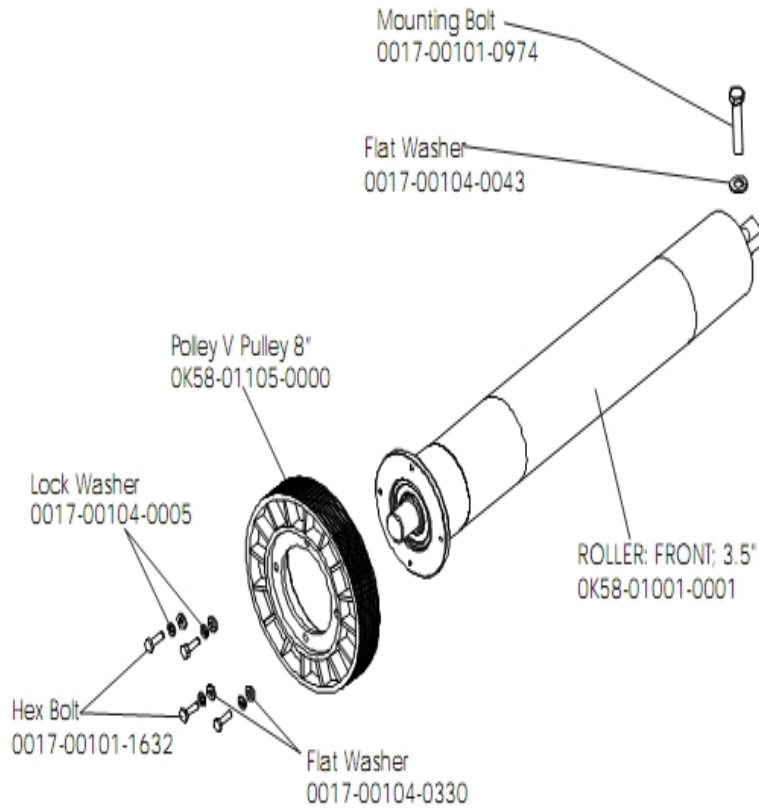
Ref #	Part Number	Qty	Description
-	AK58-00041-0001	1	Heart Rate Sensor Cable
-	AK58-00064-0000	1	I/R Lens Cover Assembly
-	0017-00101-0824	2	Hardware: Screw 1.125"
-	0K58-01347-0000	2	ErgoBar Gasket
-	AK58-00032-0000	1	User Proximity Sensor Cable
-	GK20-00002-0005	1	Heart Rate Electrode Kit

Frame Assembly



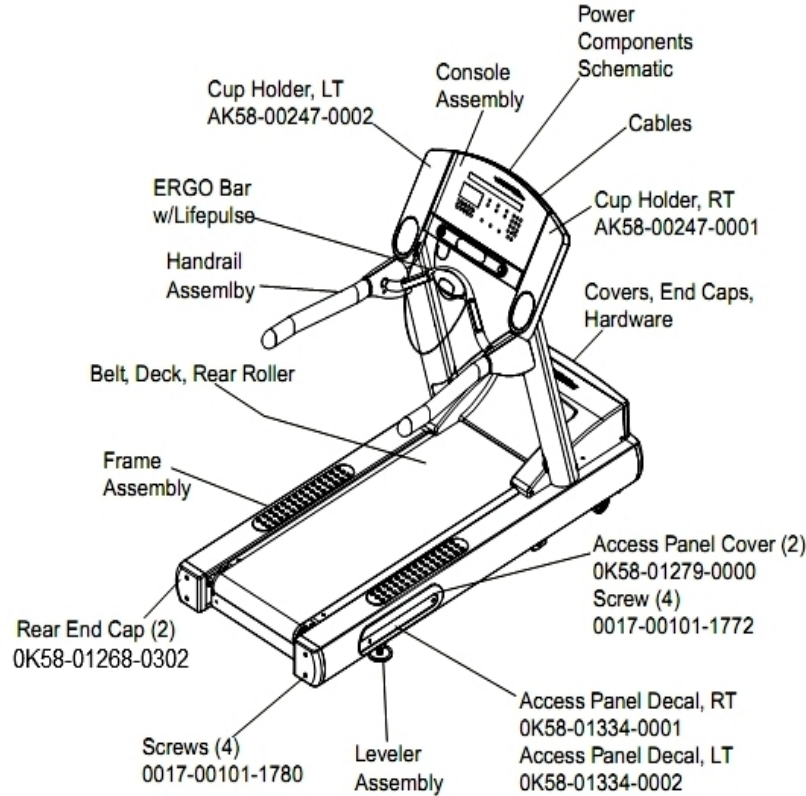
Ref #	Part Number	Qty	Description
-	0K58-01376-0000	2	Anti-Scuff Pad
-	B084-92187-D000	1	Frame Tag PCB
-	0K58-01102-0001	1	Anti-Static Tinsel
-	0017-00042-1087	1	PCB Support
-	AK58-00066-0000	1	Front Roller Assembly
-	0017-00009-0901	1	Tinsel Extension Spring

Front Roller Assembly



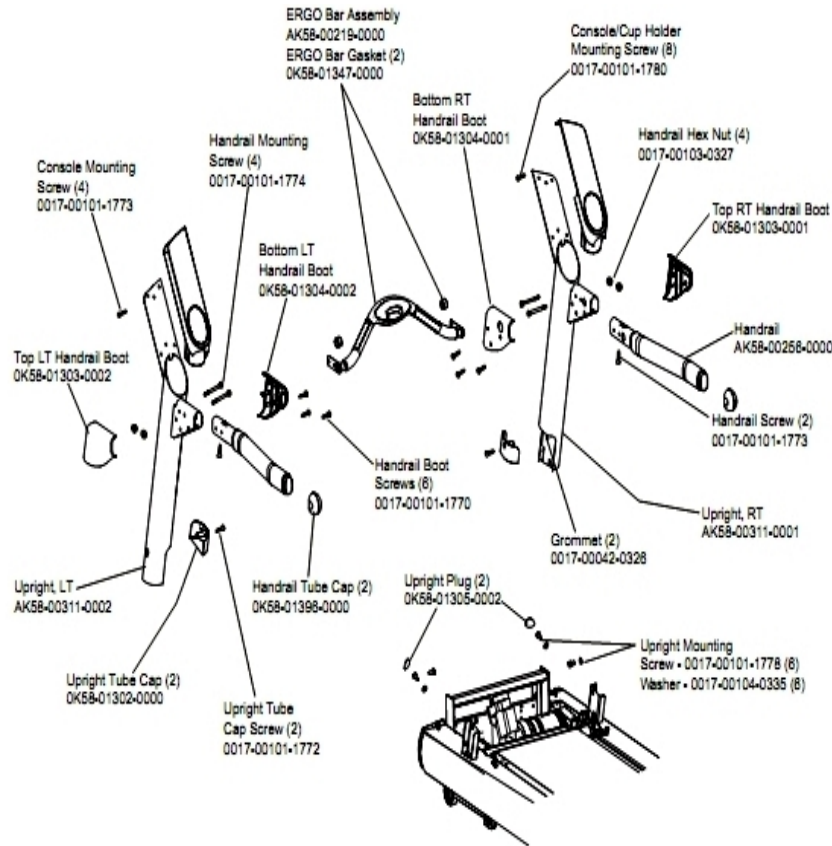
Ref #	Part Number	Qty	Description
-	0K58-01105-0000	1	Drive Pulley Poly V - 8"
-	0017-00101-1632	4	Hardware: Hex Bolt 0.875"
-	0017-00104-0330	4	Hardware: Flat Washers 0.562" OD
-	0017-00104-0043	1	Hardware: Flat Washer 0.734" OD
-	0017-00101-0974	1	Hardware: Mounting Bolt 2"
-	0017-00104-0005	4	Hardware: Lock Washer 0.489" OD

General Assembly



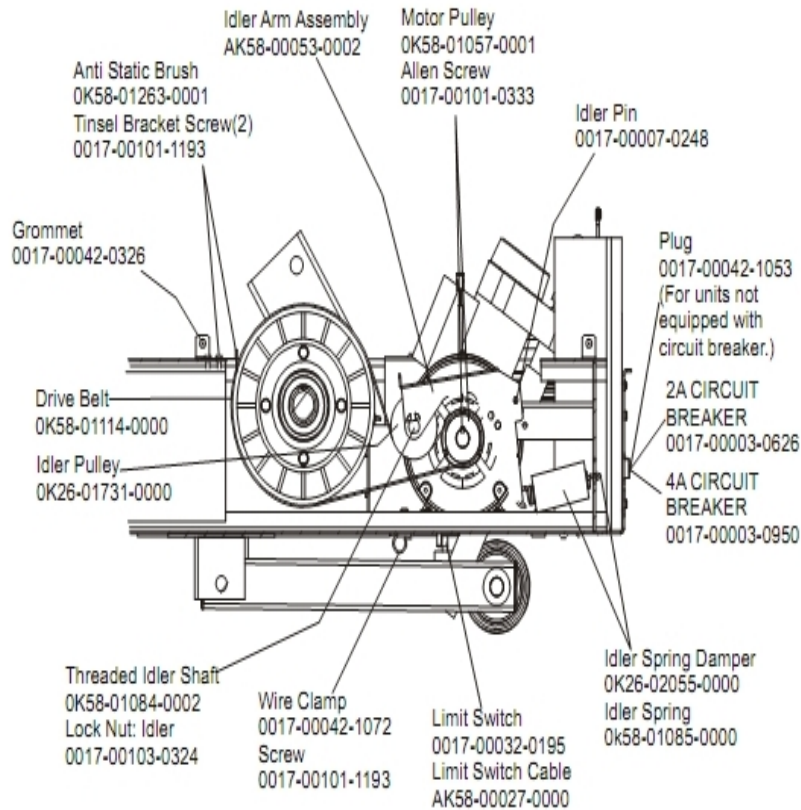
Ref #	Part Number	Qty	Description
-	0K58-01334-0001	1	Access Panel Decal Right
-	0017-00008-0197	1	Paint: Silver Bullet; 4.5OZ. Can
-	0017-00008-0199	1	Paint: Stealth Grey; 4.5OZ. Can
-	0K58-01268-0302	2	ENDCAP: REAR; STEALTH D
-	0017-00101-1772	4	Hardware: Phillips Pan Screw 0.5"
-	0K58-01334-0002	1	Access Panel Decal Left
-	AK58-00247-0002	1	Cup Holder Left
-	0017-00008-0198	1	Paint: Stealth Grey; .6OZ. Bottle B
-	AK58-00247-0001	1	Cup Holder Right
-	0017-00101-1780	4	Hardware: Mounting Screws
-	0K58-01279-0000	2	Access Panel Cover
-	0017-00008-0196	1	Paint: Silver Bullet; .6OZ. Bottle

Handrail Assembly



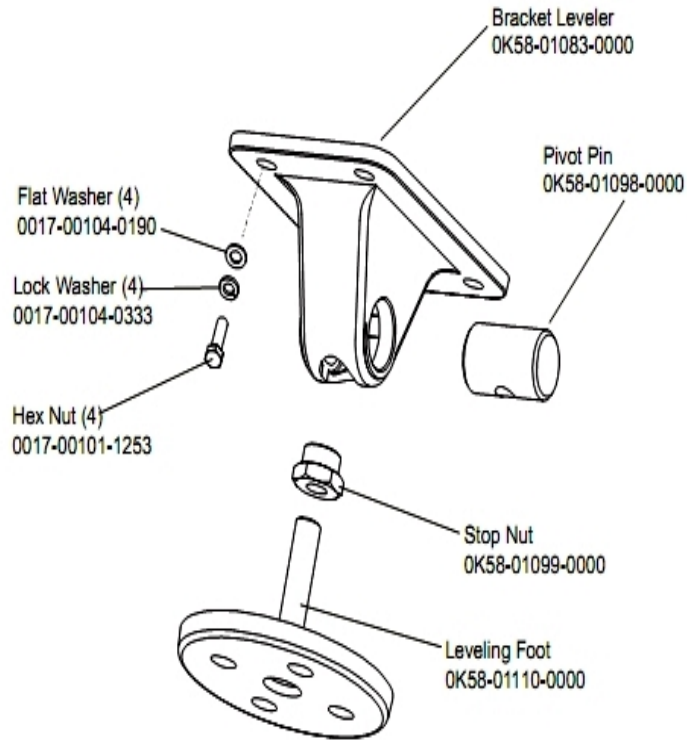
Ref #	Part Number	Qty	Description
-	0017-00101-1773	6	Hardware: TORX Screw 0.5"
-	AK58-00311-0003	1	Upright: Right
-	OK58-01396-0000	4	Endcap
-	AK58-00219-0000	1	Ergo Bar with Heart Rate Sensors
-	OK58-01303-0002	1	Top Left Handrail Boot
-	OK58-01304-0001	1	Bottom Right Handrail Boot
-	OK58-01304-0002	1	Bottom Left Handrail Boot
-	0017-00101-1772	2	Hardware: Phillips Pan Screw 0.5"
-	OK58-01303-0001	1	Top Right Handrail Boot
-	OK58-01347-0000	2	ErgoBar Gasket
-	0017-00101-1778	6	Hardware: Hex Bolt 1"
-	0017-00042-0326	2	Hardware: Plastic Grommet
-	0017-00103-0327	4	Hardware: Hex Nut 5/16" ID
-	OK58-01302-0103	2	Cap: Upright Tube; Arctic Silver
-	OK58-01305-0002	2	Upright Plug
-	AK58-00256-0001	1	Handrail
-	AK58-00311-0004	1	Upright: Left
-	0017-00101-1774	4	Hardware: TORX Screw 2.5"
-	0017-00101-1780	8	Hardware: Mounting Screws
-	0017-00104-0335	6	Hardware: Handrail Washer
-	AK58-00226-0000	1	Hardware Bag

Idler Arm and Static Brush



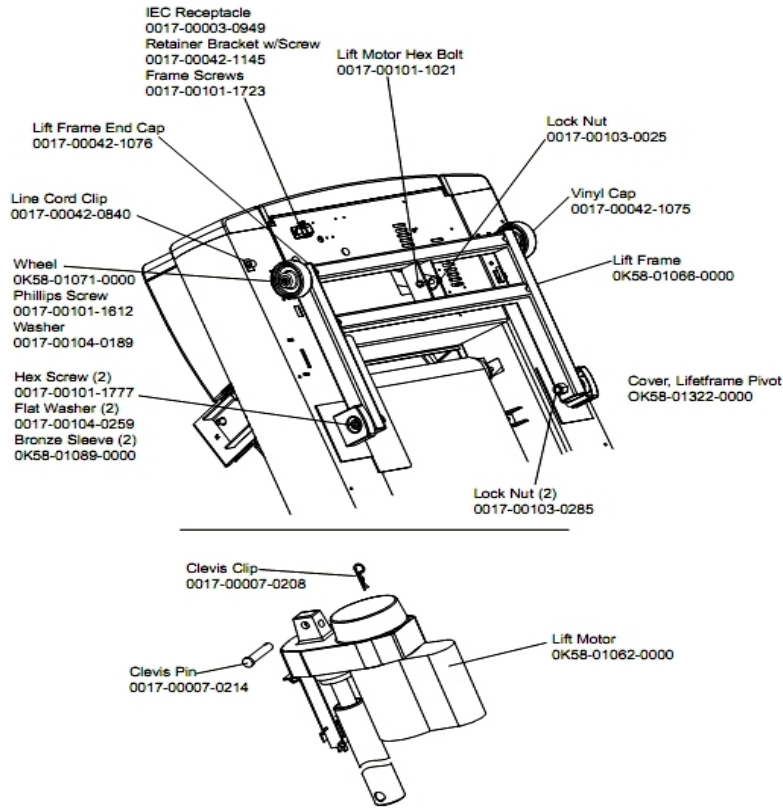
Ref #	Part Number	Qty	Description
-	OK58-01057-0001	1	Drive Pulley - 1.971"
-	AK58-00053-0002	1	Idler Arm Assembly
-	0017-00103-0324	1	Hardware: Thin Lock Nut 3/8" ID
-	AK58-00027-0000	1	Limit Switch Cable
-	OK26-01731-0000	1	Plastic Idler 2 5/8" OD
-	OK26-02055-0000	1	Spring Damper
-	0017-00032-0195	1	Home Switch
-	0017-00042-1072	1	Hardware: Wire Clamp - 5/8"
-	OK58-01084-0002	1	Threaded Shaft
-	0017-00007-0248	1	Hardware: Locking Pin .31" D 2.125" L
-	0017-00042-0326	1	Hardware: Plastic Grommet
-	0017-00101-1193	3	Hardware: Screw 0.375"
-	OK58-01114-0000	1	Poly-V Drive Belt - 370J12
-	OK58-01085-0000	1	Extension Spring
-	OK58-01263-0001	1	Tinsel Bracket
-	0017-00101-0333	1	Hardware: Screw 0.3125"
-	0017-00042-1053	1	Plug (For units not equipped with circuit breaker.)

Leveler Assembly



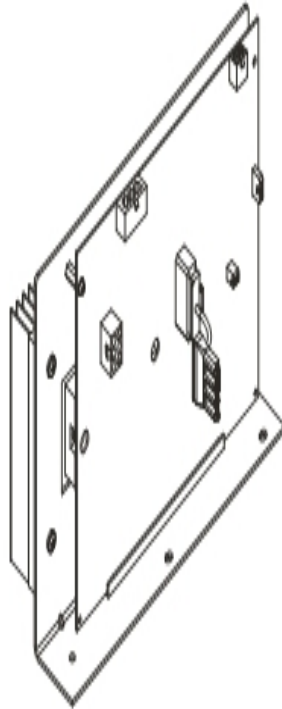
Ref #	Part Number	Qty	Description
-	0017-00104-0190	4	Hardware: Flat Washer 0.734" OD
-	0K58-01110-0000	1	Leveler Foot
-	0K58-01098-0000	1	Hardware: Pivot Pin
-	0K58-01083-0000	1	Leveler Bracket
-	0K58-01099-0000	1	Hardware: Stop Nut
-	0017-00101-1253	4	Hardware: Screw
-	0017-00104-0333	4	Hardware: Washer 0.683" OD

Lift Motor and Frame



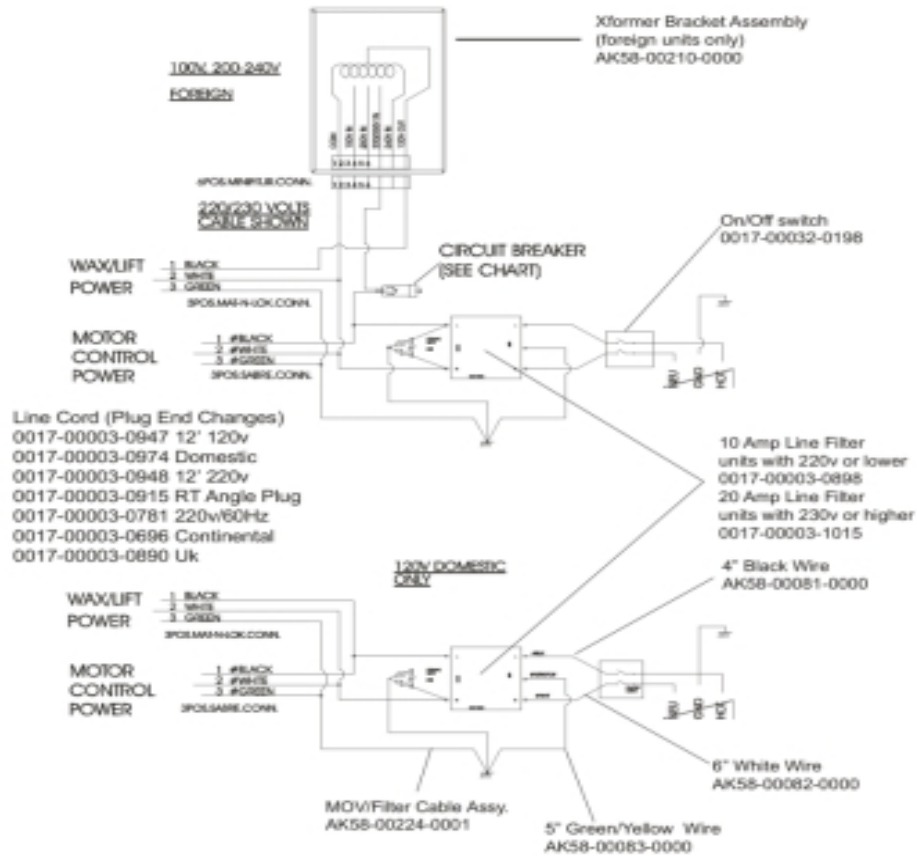
Ref #	Part Number	Qty	Description
-	AK58-00220-0000	1	LIFT-FRAME ASSY: MFG. C
-	0017-00042-1076	4	Lift Frame End Cap
-	0017-00103-0285	2	Hardware: Nut 5/8" ID
-	0017-00101-1723	1	Hardware: Phillips Pan Screw 0.375"
-	0017-00007-0208	2	Hardware: Cotter Pin
-	0017-00101-1777	2	Hardware: Lift Frame Mounting Bolt 2.75"
-	0017-00104-0189	2	Hardware: Flat Washer 1" OD
-	0K58-01322-0000	1	Lift Frame Pivot Cover
-	0017-00003-0949	1	IEC Receptacle
-	0017-00042-1145	1	Power Cord Retainer
-	0017-00101-1021	1	Hardware: Lift Motor Hex Bolt 2.5"
-	0017-00103-0025	1	Hardware: Locking Nut 3/8" ID
-	0K58-01062-0000	1	Lift Motor - 120/60
-	0K58-01089-0000	2	Bronze Sleeve Bushings
-	0017-00042-0840	1	Hardware: Push Mount Clip
-	0K58-01071-0000	2	Wheel
-	0017-00101-1612	1	Hardware: Phillips Screw 0.5"
-	0017-00042-1075	1	Vinyl Cap
-	0017-00104-0259	2	Hardware: Washer 1.331" OD
-	0017-00007-0214	2	Hardware: Clevis Pin 3/8" D 1.75" L

Motor Controller Assembly



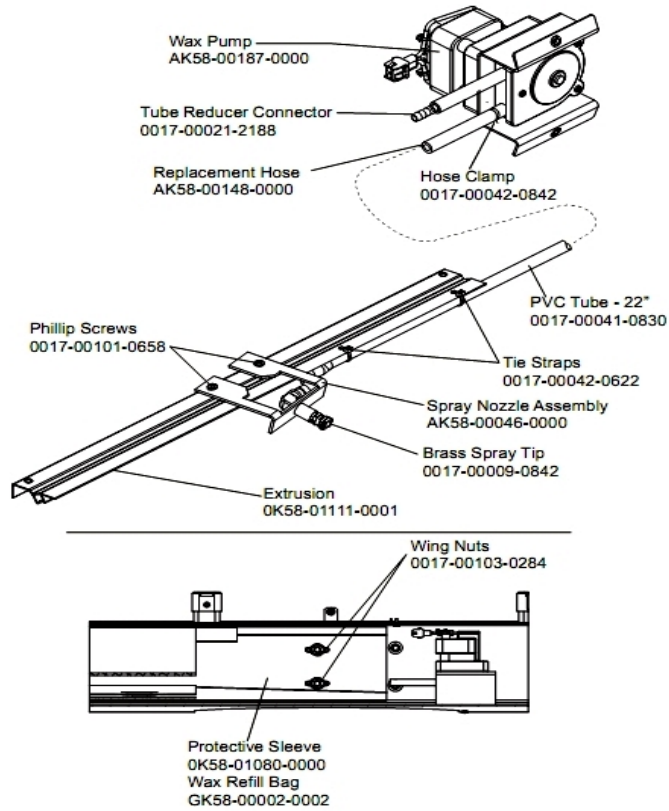
Ref #	Part Number	Qty	Description
-	GK65-00002-0018	1	Kit: Service; Motor Controller; 100-120VA; Display

Power Components Schematic



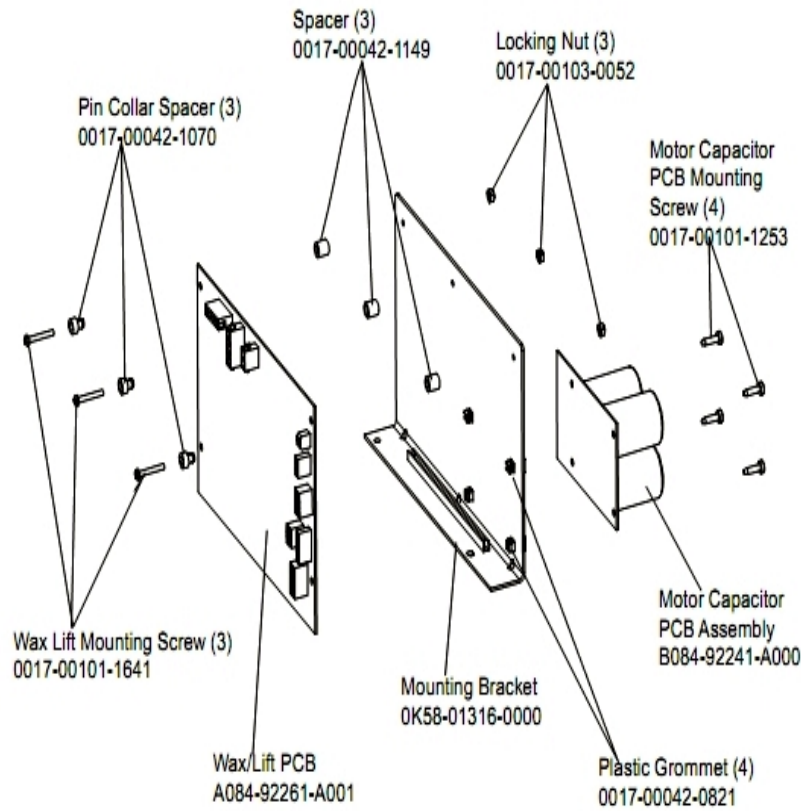
Ref #	Part Number	Qty	Description
-	0017-00003-0974	1	Line Cord: 120V: 8'
-	AK58-00081-0000	1	Jumper Cable Assembly: Black - 4"
-	AK58-00224-0001	1	Cable: MOV; Fliter
-	0017-00032-0198	1	On/Off Switch 22A
-	AK58-00210-0000	1	Transformer-Bracket Assembly
-	AK58-00083-0000	1	Cable Assembly
-	0017-00003-0898	1	10 amp Line Filter (INT)
-	0017-00003-0947	1	Line Cord: 120V; 20A; 12'
-	AK58-00082-0000	1	Jumper Cable Assembly: White - 6"
-	0017-00003-0915	1	Line Cord RT Angle Plug
-	AK58-00258-0005	1	Cable-Assembly: Power; 100V S/C#2-D

Wax Components



Ref #	Part Number	Qty	Description
-	OK58-01111-0001	1	Extrusion Assembly
-	AK58-00046-0000	1	Spray Nozzle Assembly
-	0017-00009-0842	1	Brass Spray Tip
-	0017-00041-0830	1	TUBING: PVC; REINFORCED B
-	AK58-00148-0000	1	Replacement Hose
-	0017-00021-2188	1	Tube Reducer Connector
-	AK58-00187-0000	1	Wax Pump
-	0017-00042-0842	1	Hose Clamp
-	0017-00101-0658	1	Hardware: Access Panel Screws
-	0017-00103-0284	2	Hardware: Wing Nut
-	GK58-00002-0002	1	Wax Refill Bag
-	OK58-01080-0000	1	Protective Sleeve
-	0017-00042-0622	2	Cable Tie

Wax/Lift Assembly



Ref #	Part Number	Qty	Description
-	0017-00101-1253	4	Hardware: Screw
-	0017-00101-1641	3	Hardware: Phillips Pan Screw
-	A084-92261-A001	1	Wax/Lift PCB
-	0017-00042-0821	4	Hardware: Plastic Grommet
-	B084-92241-A000	1	Motor Capacitor PCB Assembly
-	0017-00042-1149	3	Spacer
-	0017-00103-0052	3	Hardware: Locking Nut ID
-	0K58-01316-0000	1	Mounting Bracket
-	0017-00042-1070	3	Pin Collar Spacer

