

95Ti Treadmill - 4HP AC DSP - Heart Rate

95T-0100-05

Parts Manual

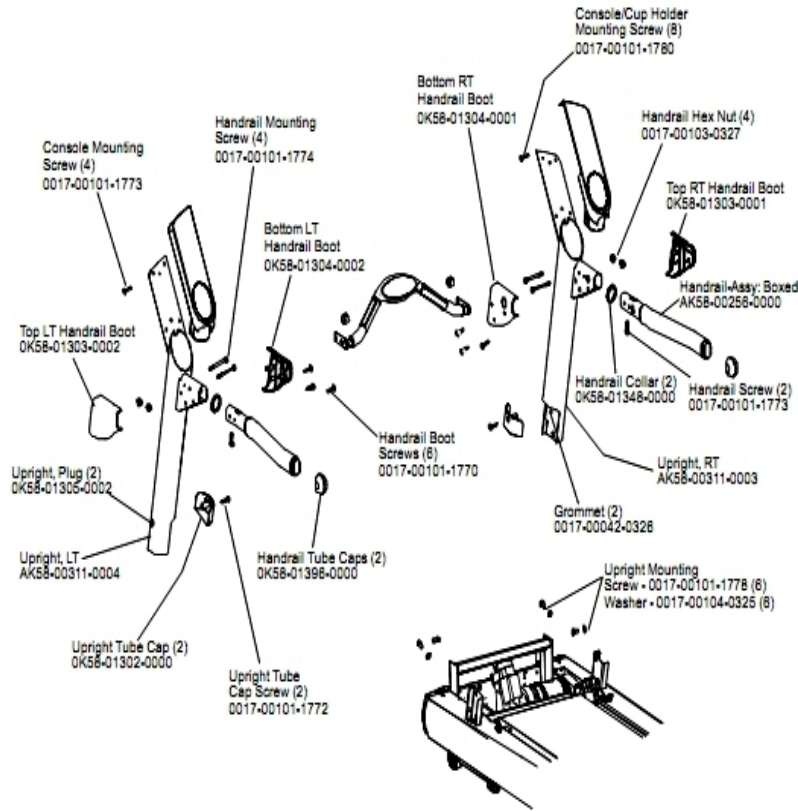
1/5/2019 10:31:52 AM



Table of Contents

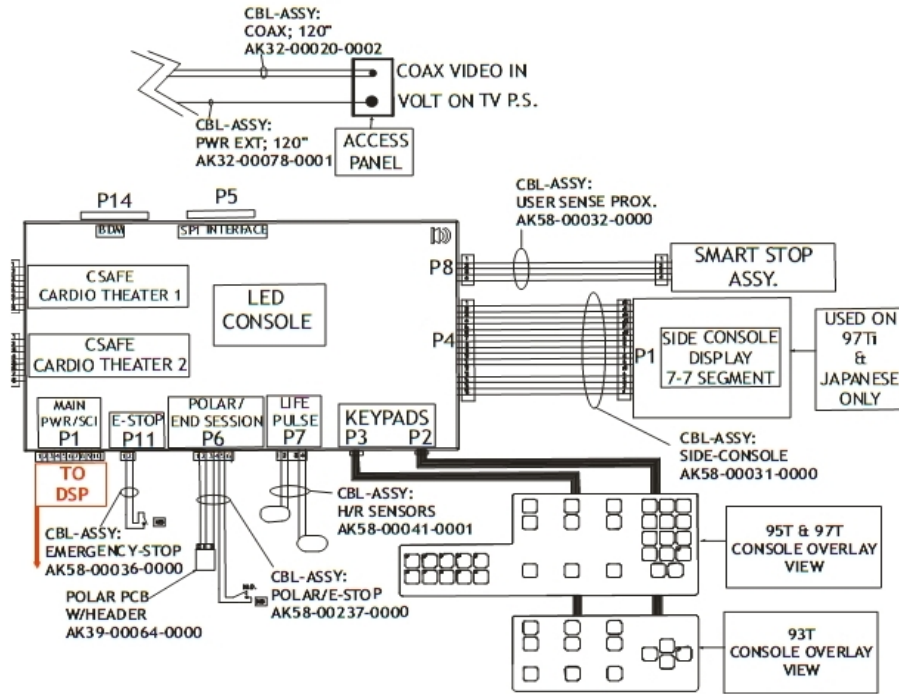
Belt, Deck and Rear Rollers.....	3
Block Diagram - Console View.....	4
Block Diagram - DSP View.....	5
Block Diagram - Line Filter View.....	6
Console Components.....	7
Console, Overlay Assembly and Overlay.....	8
Drive Motor Assembly.....	9
DSP Controller Assembly.....	10
Ergo Bar and Heart Rate Sensors.....	11
Front Roller Assembly.....	12
Idler Arm Assembly.....	13
Leg Leveler Assembly.....	14
Line Cords and Line Cord Options.....	15
Motor Cover, Front Cover and Front End Caps.....	16
On/Off Switch, Access Plate and Grommets.....	17
Rear End Caps and Cup Holders.....	18
References.....	19
Scuff Pad and Tinsel.....	21
Uprights and Handrails.....	22

Belt, Deck and Rear Rollers



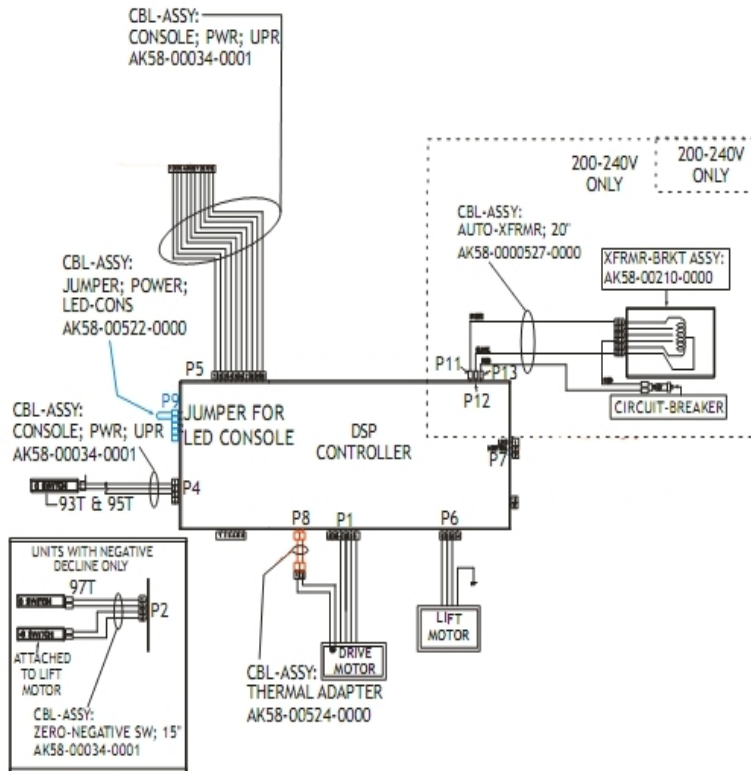
Ref #	Part Number	Qty	Description
-	0017-00103-0198	4	Hardware: Tinnerman Clip 1/4" ID
-	0017-00101-1775	4	Hardware: Deck Screws 1.25"
-	M051-00K58-A101	1	Belt Limit Label. Left
-	0017-00101-1880	2	Hardware: Tension Bolts 3"
-	0017-00101-1652	8	Hardware: Spring Mounting Screw 1"
-	M051-00K58-A014	1	Label: Caution
-	OK58-01002-0000	1	Rear Roller - 3.5"
-	OK58-01400-0000	1	Striding Belt
-	M051-00K58-A100	1	Label: Belt Limit: Right
-	0017-00104-0072	8	Hardware: Flat Washer 0.562" OD
-	OK65-01263-0000	1	Deck
-	OK40-01026-0002	8	Deck Spring

Block Diagram - Console View



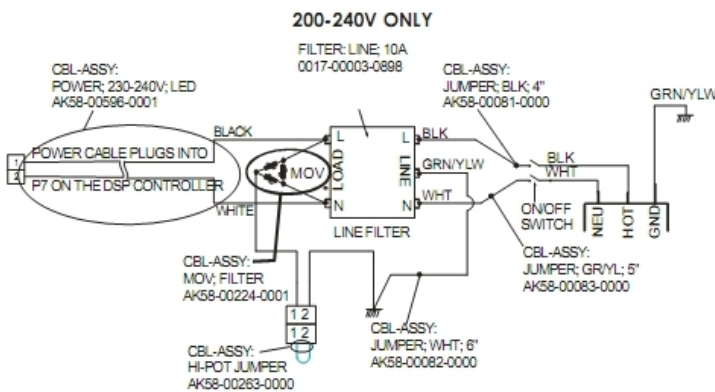
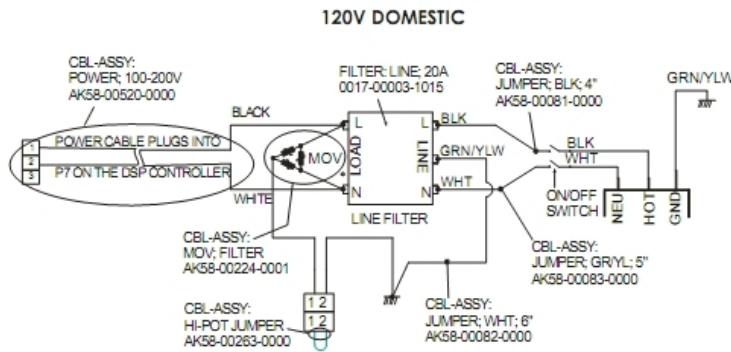
Ref #	Part Number	Qty	Description
-	AK32-00020-0002	1	Coax Cable: 120"
-	AK58-00036-0000	1	Cable-Assembly: Emergency-Stop Switch
-	AK32-00078-0001	1	Power Extension Cable: 120"
-	AK58-00031-0000	1	Side Console Cable Assembly
-	AK58-00041-0001	1	Heart Rate Sensor Cable
-	AK58-00237-0000	1	Cable-Assembly: Polar/E-Stop
-	AK58-00032-0000	1	User Proximity Sensor Cable
-	118E-00001-0259	1	Wireless Receiver Module, Non-Coded

Block Diagram - DSP View



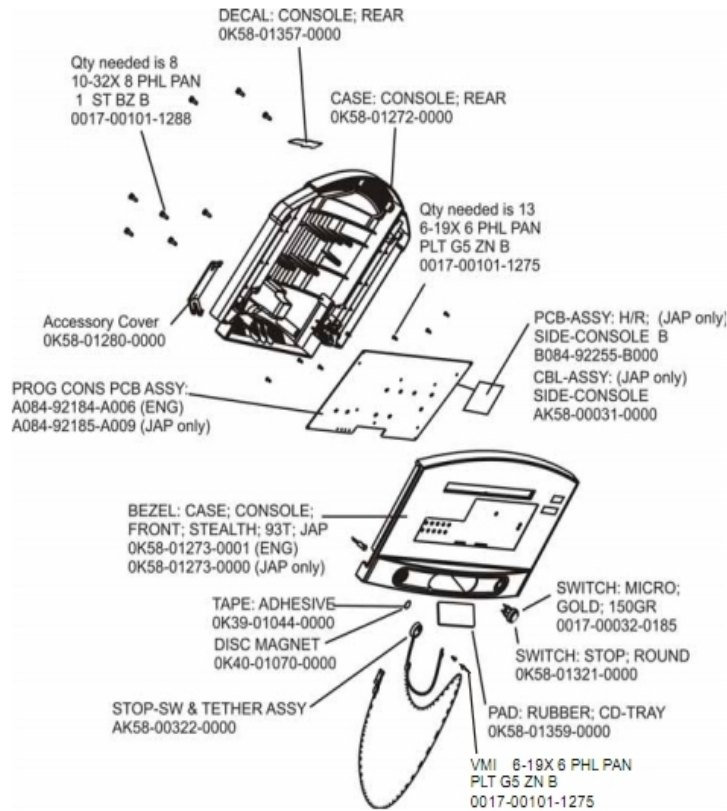
Ref #	Part Number	Qty	Description
-	AK58-00527-0000	1	Auto-Transformer: Use on High Voltage
-	AK58-00034-0001	3	Console Power Cable
-	AK58-00210-0000	1	Transformer-Bracket Assembly
-	AK58-00522-0000	1	Cable: Jumper; Power; LED Console
-	AK58-00524-0000	1	Cable: Thermal Adapter

Block Diagram - Line Filter View



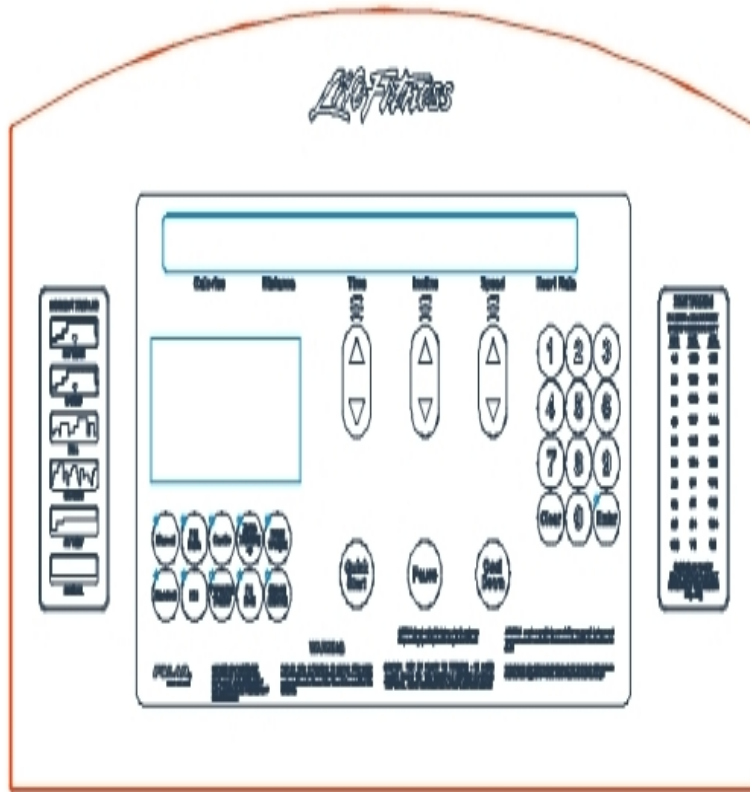
Ref #	Part Number	Qty	Description
-	AK58-00081-0000	1	Jumper Cable Assembly: Black - 4"
-	AK58-00083-0000	1	Cable Assembly
-	AK58-00224-0001	1	Cable: MOV; Fliter
-	AK58-00263-0000	1	Hi-Pot Jumper Cable
-	AK58-00520-0000	1	Power Cable Assembly: 100-120V
-	0017-00003-1015	1	20 amp Line Filter (DOM)
-	AK58-00082-0000	1	Jumper Cable Assembly: White - 6"

Console Components



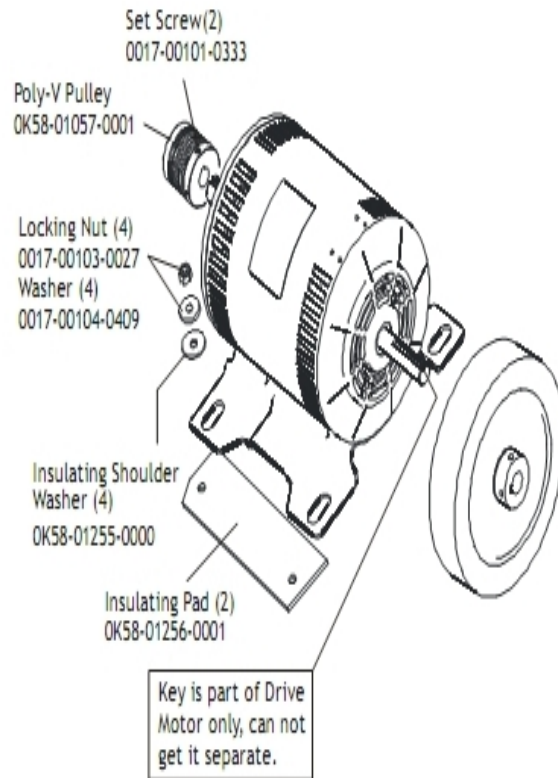
Ref #	Part Number	Qty	Description
-	0K39-01044-0000	1	Tape
-	0K58-01357-0000	1	Decal
-	A084-92184-A006	1	PCB Assembly
-	0K58-01321-0000	1	Stop Switch
-	0017-00101-1288	8	Hardware: Phillips Screw 0.5"
-	0017-00101-1275	9	Hardware: Phillips Screw 0.375"
-	0K58-01273-0001	1	Front Console Case
-	0K58-01359-0000	1	Rubber Pad
-	0K40-01070-0000	1	Magnetic Disk
-	0017-00032-0185	1	Micro Switch 150GR
-	0K58-01280-0000	1	Accessory Cover
-	0K58-01272-0000	1	Rear Console Case
-	AK58-00322-0000	1	Tether Stop Assembly

Console, Overlay Assembly and Overlay



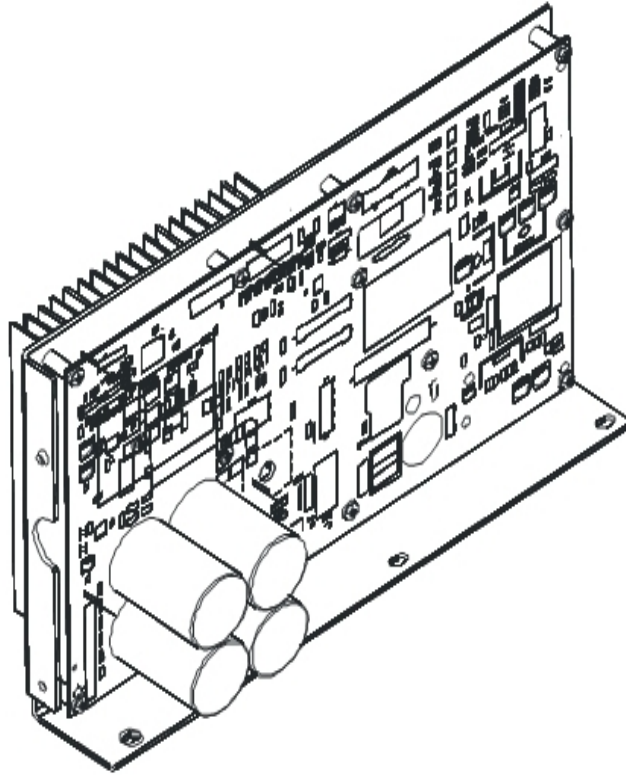
Ref #	Part Number	Qty	Description
-	AK58-00403-0001	1	Console: English/Metric
-	AK58-00203-0001	1	Overlay/Bezel Assembly English/Imperial
-	OK58-01298-0001	1	Console English/Metric

Drive Motor Assembly



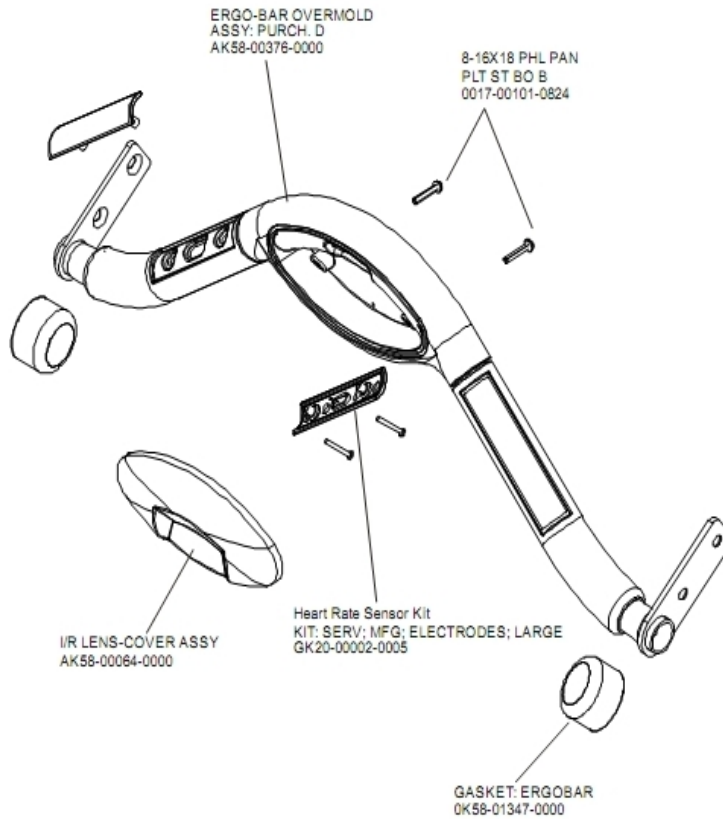
Ref #	Part Number	Qty	Description
-	OK58-01255-0000	4	Hardware: Insulating Washers
-	OK58-01256-0001	2	Insulating Pad
-	OK58-01386-0004	1	MOTOR: MAIN DRIVE, 230V/50HZ, W/TAPER
-	0017-00104-0409	4	Hardware: Washer 1.125" OD
-	0017-00101-0333	2	Hardware: Screw 0.3125"
-	0017-00101-1885	1	Hardware: Hex Bolt 1"
-	OK58-01092-0002	1	Cast Iron Flywheel
-	OK58-01057-0001	1	Drive Pulley - 1.971"
-	0017-00103-0027	4	Hardware: Locking Nut. 5/16" ID
-	0017-00101-0975	1	Hardware: Mounting Bolt 0.375"
-	AK58-00171-0001	1	Drive Motor Assembly
-	OK58-01092-0004	1	Cast Iron Flywheel

DSP Controller Assembly



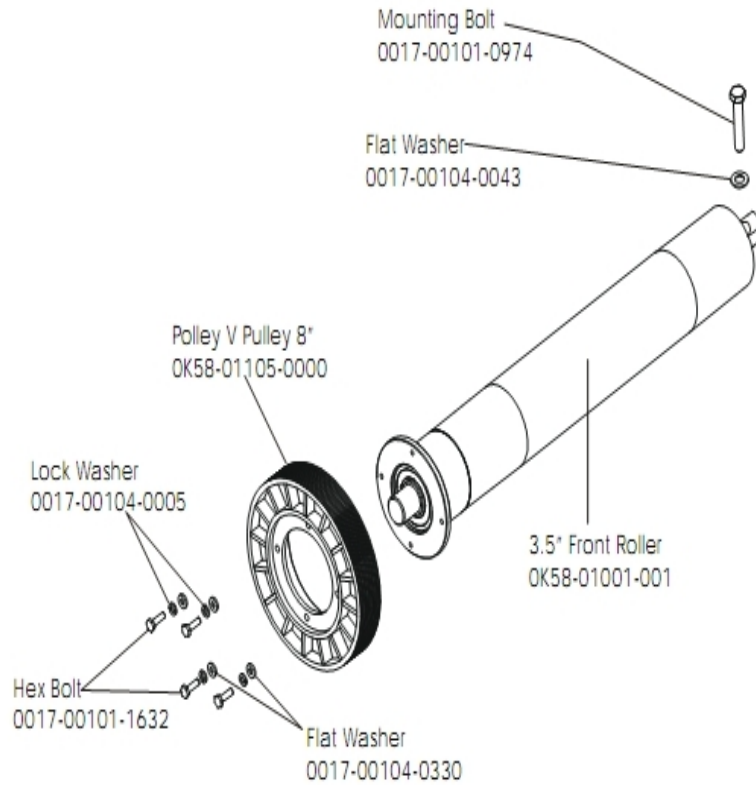
Ref #	Part Number	Qty	Description
-	AK65-00071-0007	1	DSP Motor Controller with Cable(100-120V)
-	AK58-00523-0000	1	Cable: Jumper; Power; LCD Console
-	GK58-00002-0118	1	Display Controller 100-120; LED
-	GK58-00002-0118	1	Display Controller 100-120; LED
-	GK58-00002-0118	1	Display Controller 100-120; LED
-	GK58-00002-0118	1	Display Controller 100-120; LED

Ergo Bar and Heart Rate Sensors



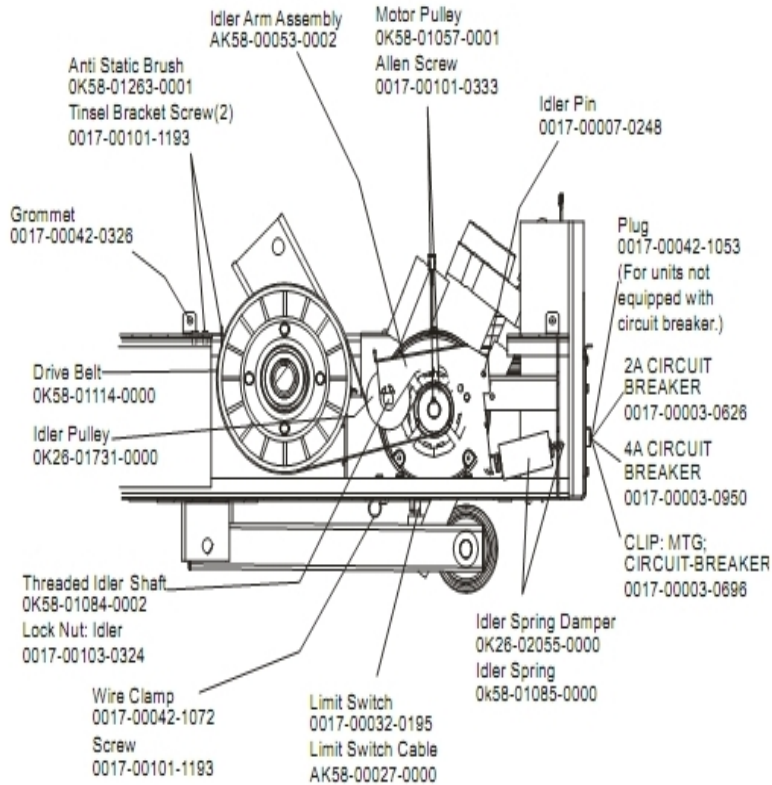
Ref #	Part Number	Qty	Description
-	AK58-00064-0000	1	I/R Lens Cover Assembly
-	AK58-00219-0000	1	Ergo Bar with Heart Rate Sensors
-	0017-00101-0824	1	Hardware: Screw 1.125"
-	OK58-01347-0000	1	ErgoBar Gasket
-	AK58-00376-0001	1	Ergo-Bar Overmold Assembly
-	GK20-00002-0005	1	Heart Rate Electrode Kit

Front Roller Assembly



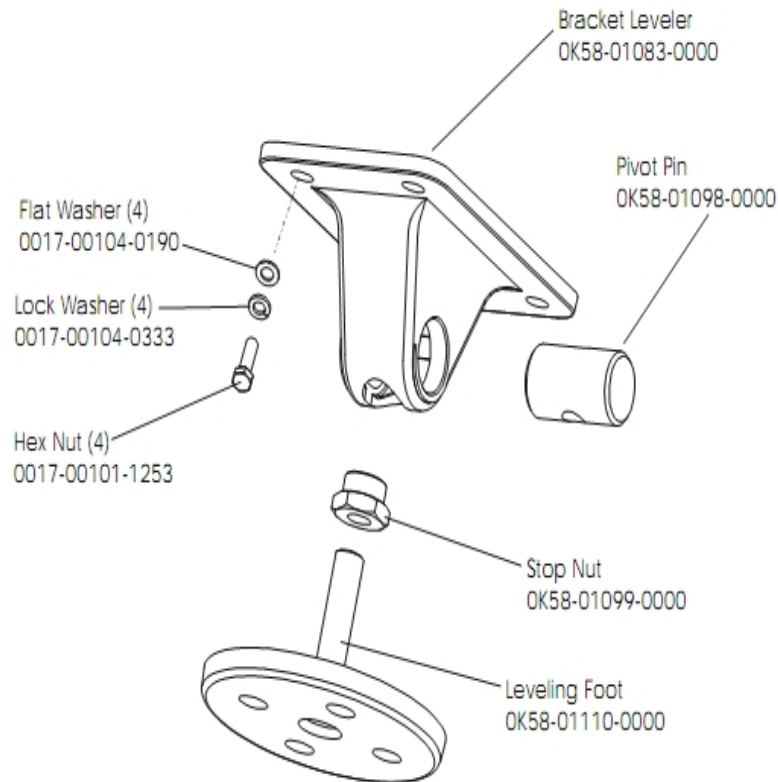
Ref #	Part Number	Qty	Description
-	0017-00101-0974	1	Hardware: Mounting Bolt 2"
-	0017-00104-0043	1	Hardware: Flat Washer 0.734" OD
-	0017-00104-0005	1	Hardware: Lock Washer 0.489" OD
-	OK58-01001-0001	1	Front Roller - 3.5"
-	AK58-00066-0000	1	Front Roller Assembly
-	0017-00101-1632	1	Hardware: Hex Bolt 0.875"
-	OK58-01105-0000	1	Drive Pulley Poly V - 8"
-	0017-00104-0330	1	Hardware: Flat Washers 0.562" OD

Idler Arm Assembly



Ref #	Part Number	Qty	Description
-	OK58-01057-0001	1	Drive Pulley - 1.971"
-	AK58-00053-0002	1	Idler Arm Assembly
-	0017-00103-0324	1	Hardware: Thin Lock Nut 3/8" ID
-	AK58-00027-0000	1	Limit Switch Cable
-	OK26-01731-0000	1	Plastic Idler 2 5/8" OD
-	OK26-02055-0000	1	Spring Damper
-	0017-00032-0195	1	Home Switch
-	0017-00042-1072	1	Hardware: Wire Clamp - 5/8"
-	0017-00003-0626	1	CIRCUIT-BREAKER:2A 200-240V
-	0017-00003-0950	1	100v 4 AMP Breaker
-	OK58-01084-0002	1	Threaded Shaft
-	0017-00007-0248	1	Hardware: Locking Pin .31" D 2.125" L
-	0017-00003-0696	1	Line Cord: International High Voltage (Cont.) 103"
-	0017-00042-0326	1	Hardware: Plastic Grommet
-	0017-00101-1193	3	Hardware: Screw 0.375"
-	OK58-01114-0000	1	Poly-V Drive Belt - 370J12
-	OK58-01085-0000	1	Extension Spring
-	OK58-01263-0001	1	Tinsel Bracket
-	0017-00101-0333	1	Hardware: Screw 0.3125"
-	0017-00042-1053	1	Plug (For units not equipped with circuit breaker.)

Leg Leveler Assembly

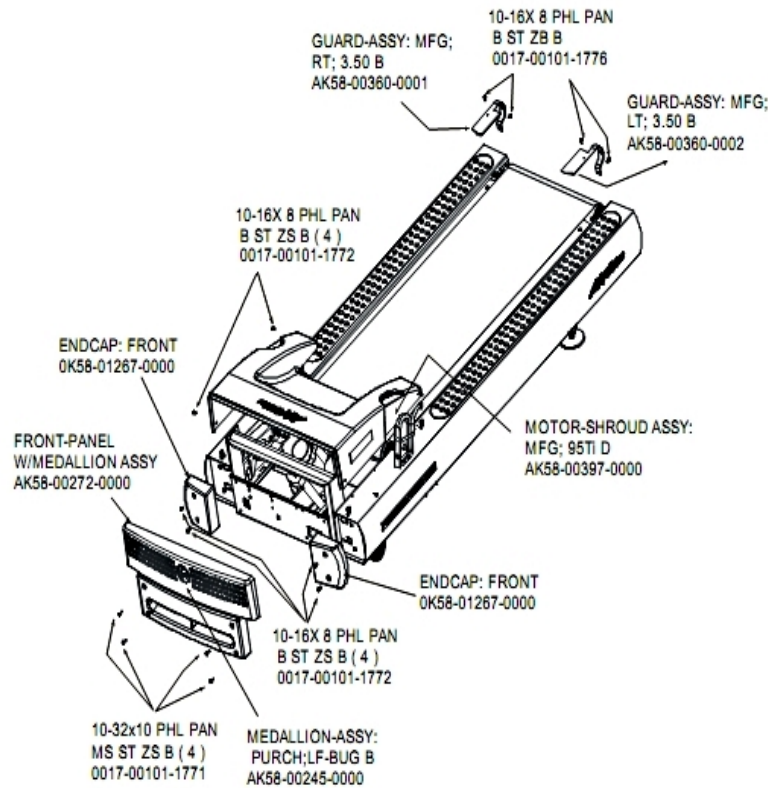


Ref #	Part Number	Qty	Description
-	OK58-01110-0000	1	Leveler Foot
-	AK58-00370-0000	4	Leveler Assembly
-	0017-00104-0190	4	Hardware: Flat Washer 0.734" OD
-	OK58-01083-0000	1	Leveler Bracket
-	0017-00101-1652	4	Hardware: Spring Mounting Screw 1"
-	OK58-01099-0000	1	Hardware: Stop Nut
-	OK58-01098-0000	1	Hardware: Pivot Pin
-	0017-00104-0333	4	Hardware: Washer 0.683" OD

Line Cords and Line Cord Options

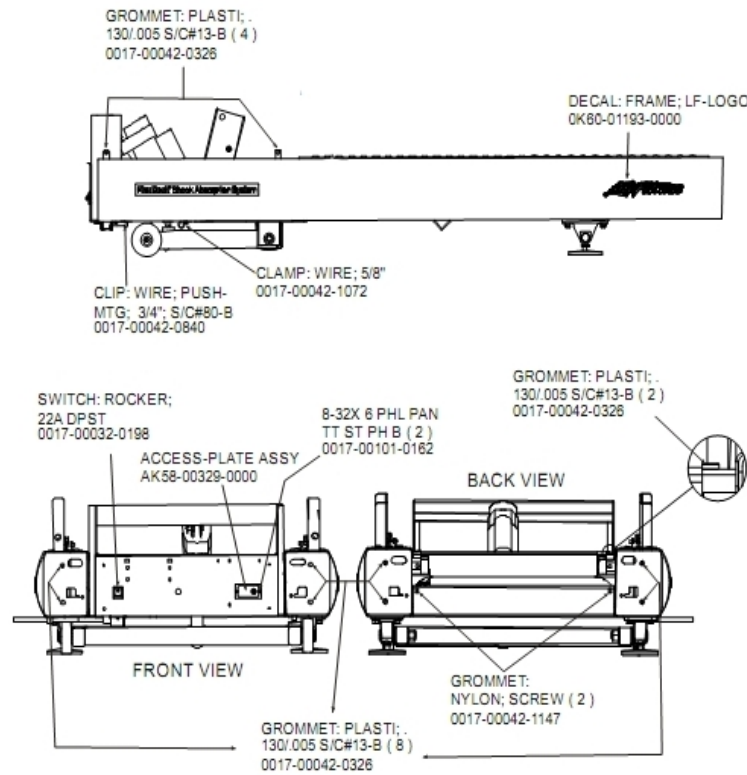
Ref #	Part Number	Qty	Description
-	0017-00003-0947	1	Line Cord: 120V; 20A; 12'
-	0017-00003-0915	1	Line Cord RT Angle Plug
-	0017-00003-0974	1	Line Cord: 120V: 8'

Motor Cover, Front Cover and Front End Caps



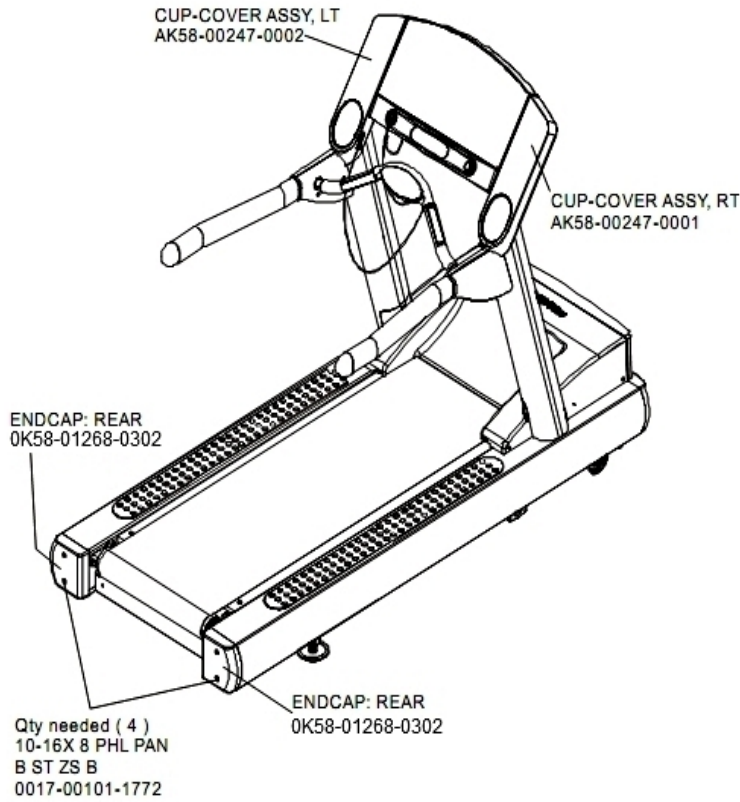
Ref #	Part Number	Qty	Description
-	AK58-00360-0001	1	Rear Roller Guard: Right
-	AK58-00397-0000	1	Motor Shroud
-	0017-00101-1772	8	Hardware: Phillips Pan Screw 0.5"
-	AK58-00245-0000	1	Bug Medallion
-	AK58-00360-0002	1	Rear Roller Guard: Left
-	OK58-01267-0000	2	End Cap
-	0017-00101-1771	4	Hardware: Phillips Pan Screw
-	AK58-00272-0000	1	Front Panel with Medallion
-	0017-00101-1776	1	Hardware: Mounting Screw 0.5"

On/Off Switch, Access Plate and Grommets



Ref #	Part Number	Qty	Description
-	0017-00042-0326	14	Hardware: Plastic Grommet
-	OK60-01193-0000	1	Decal: LF Logo
-	AK58-00329-0000	1	Access Panel Assembly
-	0017-00101-0162	2	Hardware: Screw 0.375"
-	0017-00042-1072	1	Hardware: Wire Clamp - 5/8"
-	0017-00032-0198	1	On/Off Switch 22A
-	0017-00042-0840	1	Hardware: Push Mount Clip
-	0017-00042-1147	2	Hardware: Nylon Grommet

Rear End Caps and Cup Holders



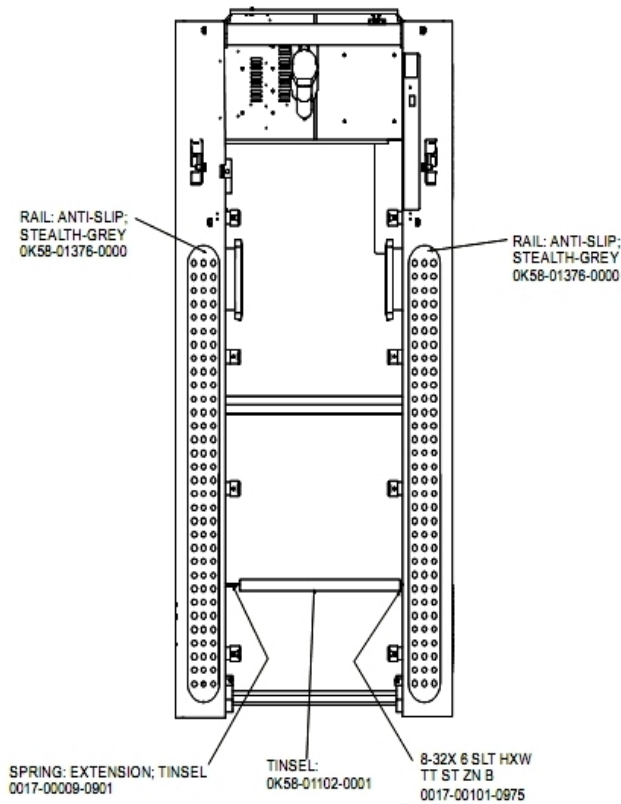
Ref #	Part Number	Qty	Description
-	AK58-00247-0002	1	Cup Holder Left
-	AK58-00247-0001	1	Cup Holder Right
-	0017-00101-1772	4	Hardware: Phillips Pan Screw 0.5"
-	OK58-01268-0302	2	ENDCAP: REAR; STEALTH D

References

Ref #	Part Number	Qty	Description
-	0K58-01376-0000	2	Anti-Scuff Pad
-	0017-00101-1770	6	Hardware: Phillips Pan Screw 0.5"
-	0017-00042-0840	5	Hardware: Push Mount Clip
-	0017-00008-0204	1	Paint Spray Can - Arctic Silver
-	GK58-00002-0095	1	Roller Guard kit
-	AK58-00360-0001	1	Rear Roller Guard: Right
-	AK58-00226-0000	1	Hardware Bag
-	0017-00101-1773	6	Hardware: TORX Screw 0.5"
-	0017-00009-1049	1	Torx Wrench
-	0017-00008-0205	1	5 oz Bottle - Arctic Silver
-	M051-00K58-B128	1	Service Instructions - Roller Guards
-	0017-00104-0325	4	Hardware: Washer 0.873" OD
-	0017-00101-1776	4	Hardware: Mounting Screw 0.5"
-	0017-00008-0210	1	Paint: Shadow-Gray Touch Up: .6 OZ Bottle
-	GK58-00002-0071	4	Anti-Slip Rail
-	0017-00101-1780	8	Hardware: Mounting Screws
-	0017-00101-1774	4	Hardware: TORX Screw 2.5"
-	0017-00008-0211	1	Paint: Shadow-Gray Touch Up: .6 OZ Bottle
-	0K58-01305-0002	2	Upright Plug
-	0017-00103-0327	4	Hardware: Hex Nut 5/16" ID
-	0017-00042-1147	2	Hardware: Nylon Grommet
-	0017-00042-0326	4	Hardware: Plastic Grommet

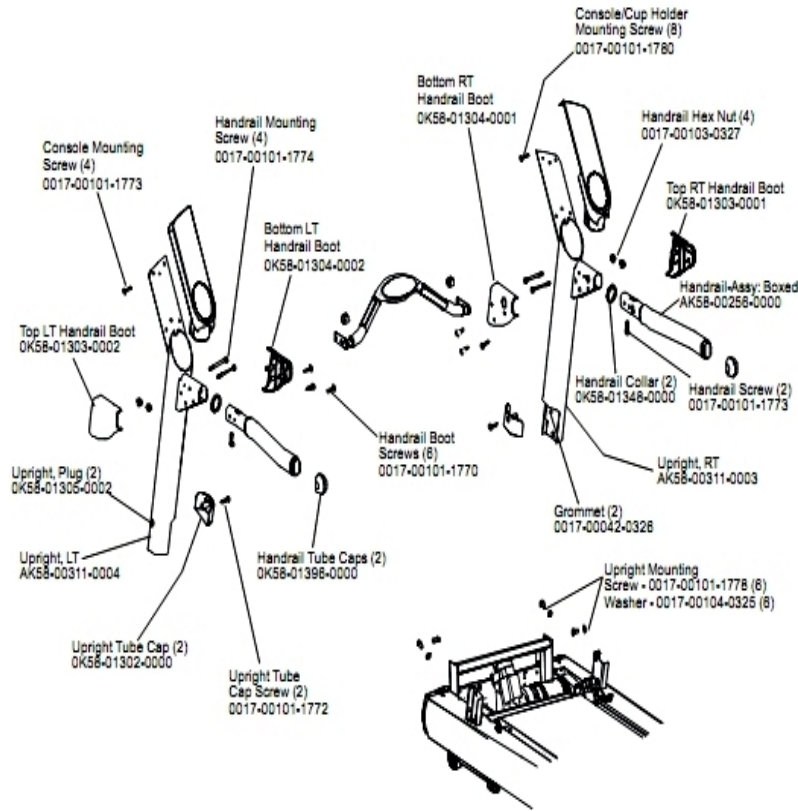
Ref #	Part Number	Qty	Description
-	0017-00008-0206	1	.33oz Pen - Arctic Silver
-	0017-00101-1778	4	Hardware: Hex Bolt 1"
-	AK58-00360-0002	1	Rear Roller Guard: Left
-	0K58-01347-0000	2	ErgoBar Gasket
-	0017-00101-1772	6	Hardware: Phillips Pan Screw 0.5"

Scuff Pad and Tinsel



Ref #	Part Number	Qty	Description
-	0017-00009-0901	1	Tinsel Extension Spring
-	0017-00101-0975	1	Hardware: Mounting Bolt 0.375"
-	OK58-01102-0001	1	Anti-Static Tinsel
-	OK58-01376-0000	2	Anti-Scuff Pad

Uprights and Handrails



Ref #	Part Number	Qty	Description
-	0017-00103-0327	4	Hardware: Hex Nut 5/16" ID
-	0017-00101-1780	8	Hardware: Mounting Screws
-	0017-00104-0325	6	Hardware: Washer 0.873" OD
-	0017-00101-1773	6	Hardware: TORX Screw 0.5"
-	0017-00101-1770	6	Hardware: Phillips Pan Screw 0.5"
-	0017-00101-1778	6	Hardware: Hex Bolt 1"
-	AK58-00311-0004	1	Upright: Left
-	OK58-01396-0000	2	Endcap
-	AK58-00256-0001	1	Handrail
-	OK58-01303-0002	1	Top Left Handrail Boot
-	OK58-01305-0002	2	Upright Plug
-	OK58-01303-0001	1	Top Right Handrail Boot
-	OK58-01304-0001	1	Bottom Right Handrail Boot
-	OK58-01302-0103	2	Cap: Upright Tube; Arctic Silver
-	0017-00101-1772	2	Hardware: Phillips Pan Screw 0.5"
-	0017-00042-0326	2	Hardware: Plastic Grommet
-	0017-00101-1774	4	Hardware: TORX Screw 2.5"
-	OK58-01304-0002	1	Bottom Left Handrail Boot
-	AK58-00311-0003	1	Upright: Right
-	OK58-01348-0000	2	Handrail Collar

