

95Ti Treadmill - 4HP AC - Heart Rate

95T-0100-07

Parts Manual

1/5/2019 10:31:52 AM



LifeFitness
WHAT WE LIVE FOR

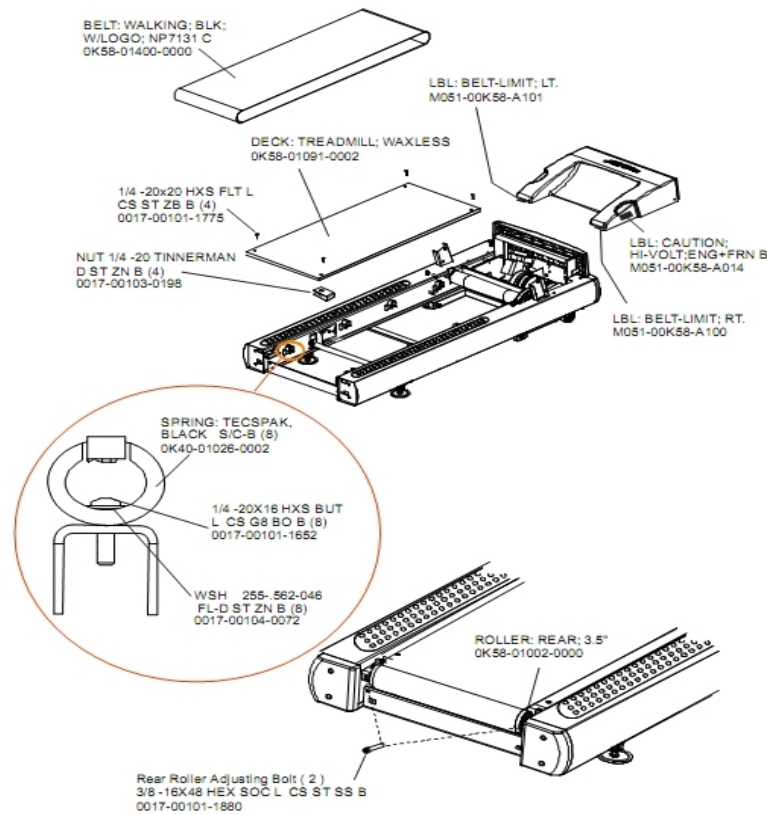
Table of Contents

A-Z Module with Overlay Assembly	3
Belt, Deck and Rear Rollers	4
Block Diagram - Console View	5
Block Diagram - DSP View	6
Block Diagram - Line Filter View	7
Circuit Breaker, Line Cords and Line Cord Options	8
Console Components	9
Console, Overlay Assembly and Overlay	10
Contents	11
Drive Motor Assembly	12
DSP Controller Assembly	13
Ergo Bar, Heart Rate Sensors and Activity Zone	14
Front Roller Assembly	15
Idler Arm Assembly	16
Leg Leveler Assembly	17
Lift Frame, Lift Motor and IEC Receptacle	18
Motor Cover, Front Cover and Front End Caps	19
On/Off Switch, Access Plate and Grommets	20
Rear End Caps and Cup Holders	21
References	22
Scuff Pad and Tinsel	23
Stride Sensor and Stride Sensor PCB Assembly	24
Uprights and Handrails	25

A-Z Module with Overlay Assembly

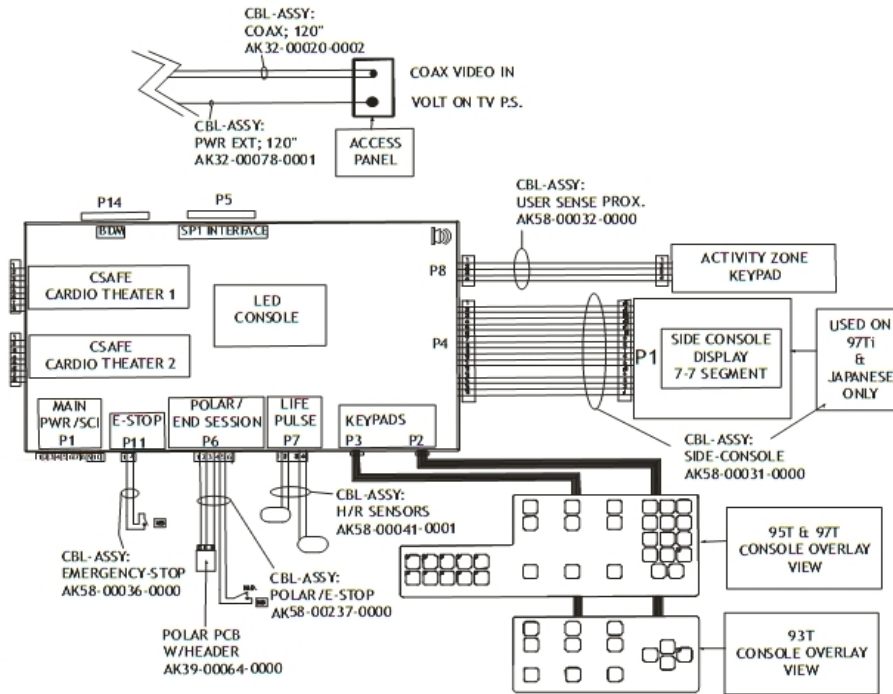
Ref #	Part Number	Qty	Description
-	AK58-00555-0001	1	Activity Zone Assembly: English/English
-	0K58-01459-0001	1	Activity Zone Overlay English/Imperial

Belt, Deck and Rear Rollers



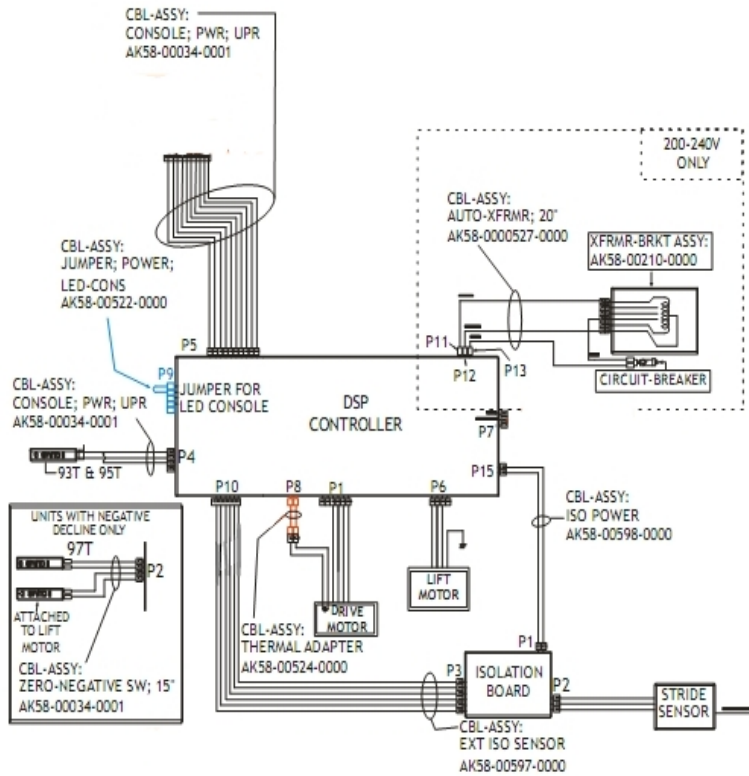
Ref #	Part Number	Qty	Description
-	0K58-01400-0000	1	Striding Belt
-	0K58-01002-0000	1	Rear Roller - 3.5"
-	M051-00K58-A014	1	Label: Caution
-	0K65-01263-0000	1	Deck
-	0017-00101-1652	8	Hardware: Spring Mounting Screw 1"
-	0K40-01026-0002	8	Deck Spring
-	0017-00104-0072	8	Hardware: Flat Washer 0.562" OD
-	M051-00K58-A100	1	Label: Belt Limit: Right
-	0017-00103-0198	4	Hardware: Tinnerman Clip 1/4" ID
-	M051-00K58-A101	1	Belt Limit Label. Left
-	0017-00101-1775	4	Hardware: Deck Screws 1.25"
-	0017-00101-1880	2	Hardware: Tension Bolts 3"

Block Diagram - Console View



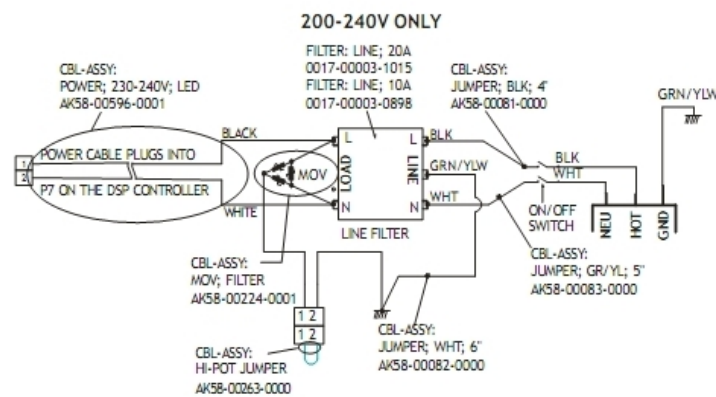
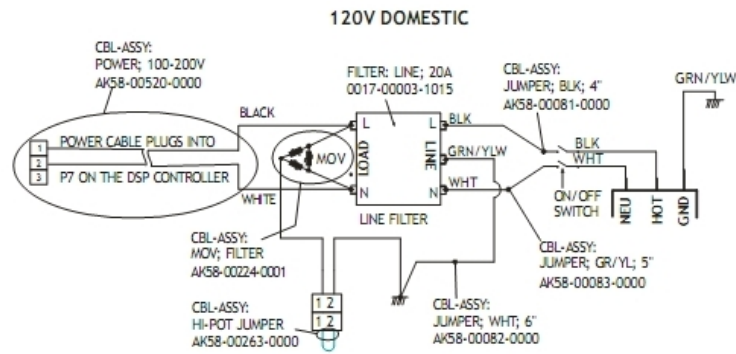
Ref #	Part Number	Qty	Description
-	AK32-00020-0002	1	Coax Cable: 120"
-	AK58-00237-0000	1	Cable-Assembly: Polar/E-Stop
-	AK58-00041-0001	1	Heart Rate Sensor Cable
-	AK58-00031-0000	1	Side Console Cable Assembly
-	AK32-00078-0001	1	Power Extension Cable: 120"
-	118E-00001-0259	1	Wireless Receiver Module, Non-Coded
-	AK58-00032-0000	1	User Proximity Sensor Cable
-	AK58-00036-0000	1	Cable-Assembly: Emergency-Stop Switch

Block Diagram - DSP View



Ref #	Part Number	Qty	Description
-	AK58-00522-0000	1	Cable: Jumper; Power; LED Console
-	AK58-00527-0000	1	Auto-Transformer: Use on High Voltage
-	AK58-00034-0001	3	Console Power Cable
-	AK58-00524-0000	1	Cable: Thermal Adapter
-	AK58-00598-0000	1	Cable: ISO Power
-	AK58-00210-0000	1	Transformer-Bracket Assembly
-	AK58-00597-0000	1	Cable Extension ISO Sensor

Block Diagram - Line Filter View

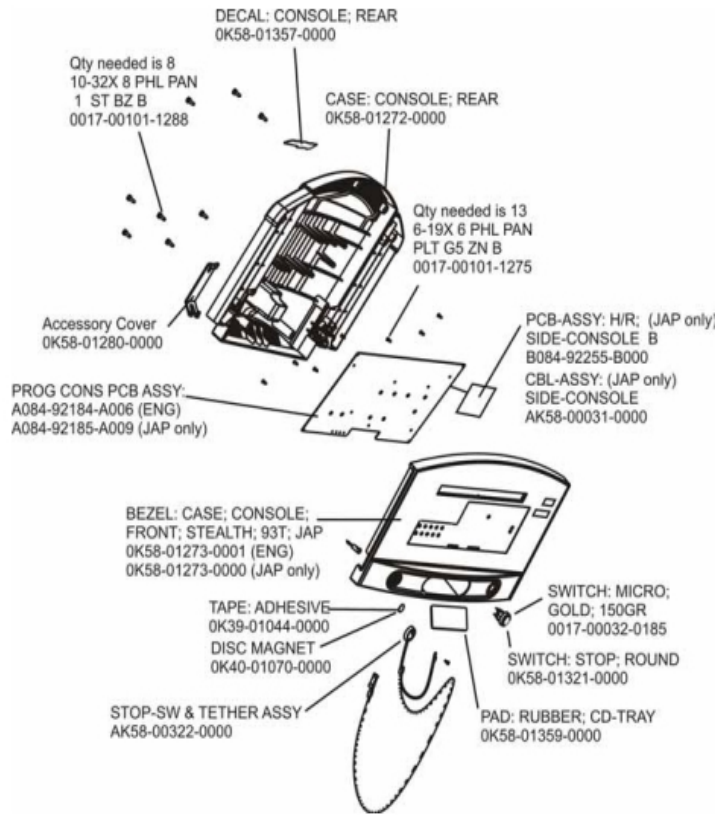


Ref #	Part Number	Qty	Description
-	AK58-00083-0000	1	Cable Assembly
-	AK58-00520-0000	1	Power Cable Assembly: 100-120V
-	AK58-00082-0000	1	Jumper Cable Assembly: White - 6"
-	0017-00003-1015	1	20 amp Line Filter (DOM)
-	AK58-00224-0001	1	Cable: MOV; Fliter
-	AK58-00081-0000	1	Jumper Cable Assembly: Black - 4"
-	AK58-00263-0000	1	Hi-Pot Jumper Cable

Circuit Breaker, Line Cords and Line Cord Options

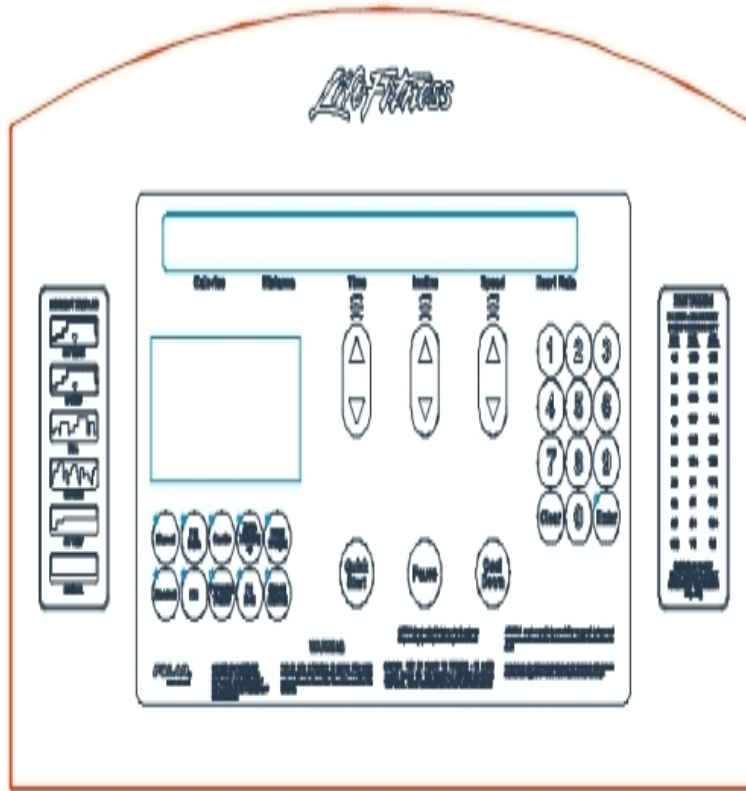
Ref #	Part Number	Qty	Description
-	0017-00003-0974	1	Line Cord: 120V: 8'
-	0017-00003-0947	1	Line Cord: 120V; 20A; 12'
-	0017-00003-0915	1	Line Cord RT Angle Plug

Console Components



Ref #	Part Number	Qty	Description
-	A084-92184-A006	1	PCB Assembly
-	0017-00101-1275	13	Hardware: Phillips Screw 0.375"
-	0017-00101-1288	8	Hardware: Phillips Screw 0.5"
-	0K39-01044-0000	1	Tape
-	0K58-01357-0000	1	Decal
-	0K58-01280-0000	1	Accessory Cover
-	0017-00032-0185	1	Micro Switch 150GR
-	AK58-00322-0000	1	Tether Stop Assembly
-	0K58-01272-0000	1	Rear Console Case
-	0K58-01273-0001	1	Front Console Case
-	0K58-01321-0000	1	Stop Switch
-	0K58-01359-0000	1	Rubber Pad
-	0K40-01070-0000	1	Magnetic Disk

Console, Overlay Assembly and Overlay

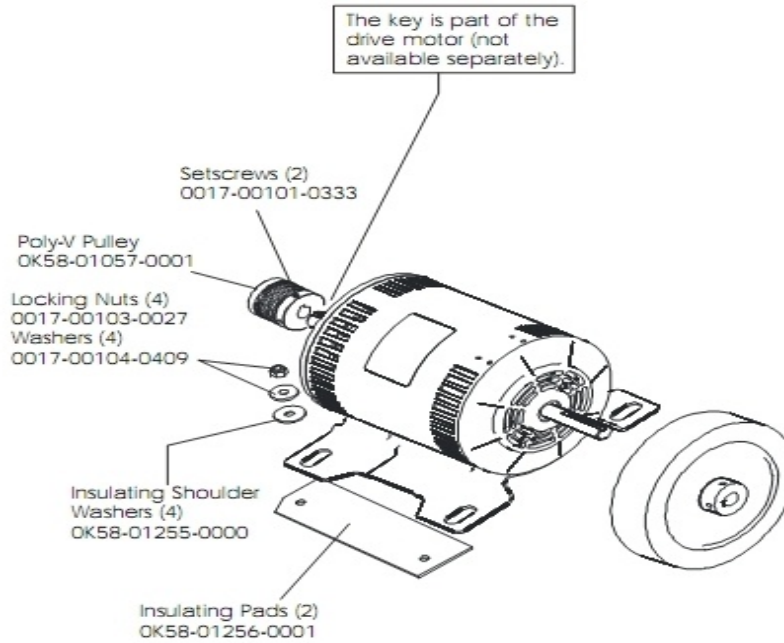


Ref #	Part Number	Qty	Description
-	AK58-00580-0001	1	Console: English/English
-	OK58-01298-0001	1	Console English/Metric
-	AK58-00203-0001	1	Overlay/Bezel Assembly English/Imperial

Contents

Ref #	Part Number	Qty	Description
-	0017-00008-0210	1	Paint: Shadow-Gray Touch Up: .6 OZ Bottle
-	GK58-00002-0071	1	Anti-Slip Rail
-	0017-00008-0211	1	Paint: Shadow-Gray Touch Up: .6 OZ Bottle
-	0017-00042-1147	2	Hardware: Nylon Grommet
-	0017-00042-0326	2	Hardware: Plastic Grommet
-	0017-00008-0206	1	.33oz Pen - Arctic Silver
-	AK58-00360-0002	1	Rear Roller Guard: Left
-	0K58-01376-0000	2	Anti-Scuff Pad
-	0017-00008-0204	1	Paint Spray Can - Arctic Silver
-	GK58-00002-0095	1	Roller Guard kit
-	AK58-00360-0001	1	Rear Roller Guard: Right
-	0017-00101-1776	4	Hardware: Mounting Screw 0.5"
-	0017-00008-0205	1	5 oz Bottle - Arctic Silver
-	M051-00K58-B128	1	Service Instructions - Roller Guards

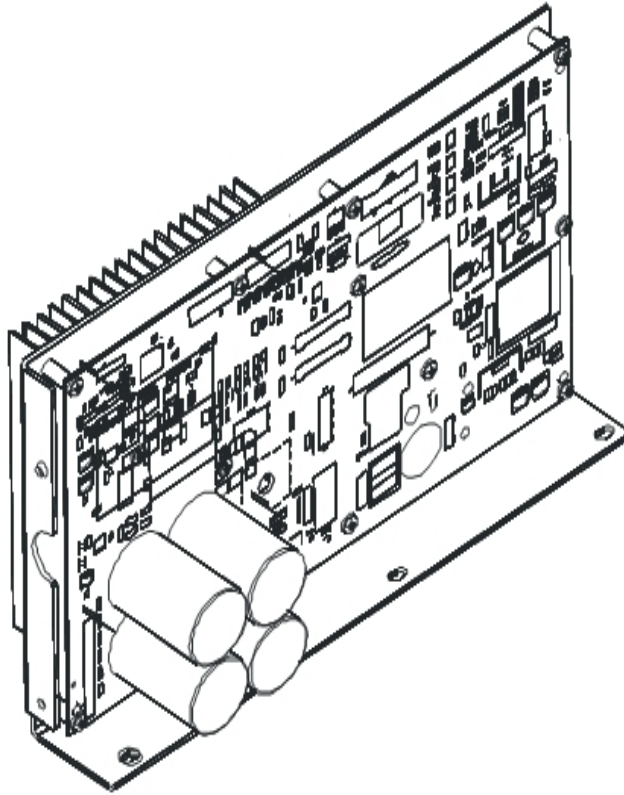
Drive Motor Assembly



Description	Part Nos.	
	S/N TSS100000—TSS102326	S/N TSS102327 and up
Drive Motor Assembly	AK58-00171-0001 (dual cable)	AK58-00171-0002 (tapered shaft)
Cast Iron Flywheel	OK58-01092-0002	OK58-01092-0004
Drive Motor Setscrews/Bolt	0017-00101-0975 (uses setscrews)	0017-00101-1885 (uses bolt)

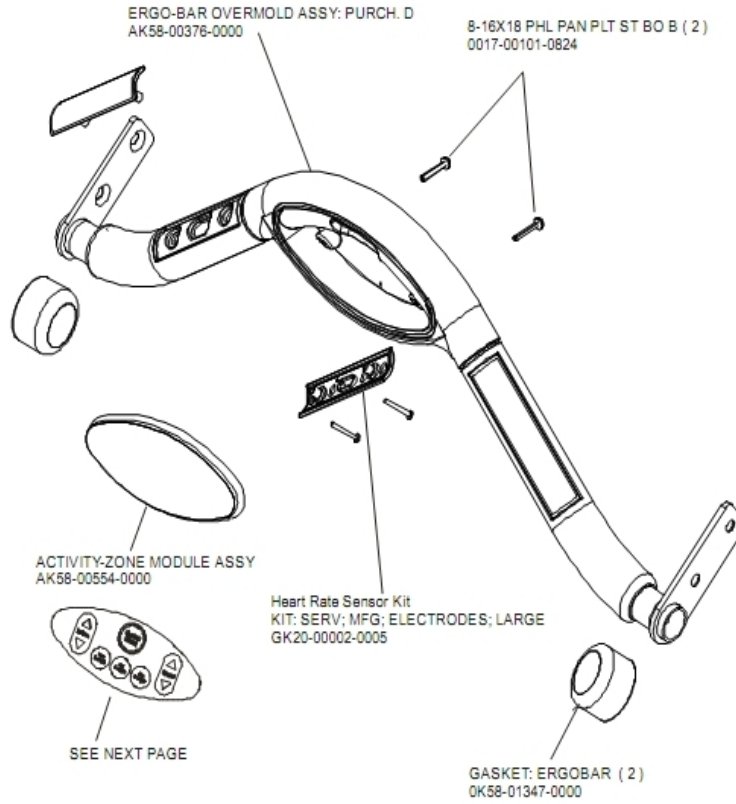
Ref #	Part Number	Qty	Description
-	OK58-01255-0000	4	Hardware: Insulating Washers
-	OK58-01256-0001	2	Insulating Pad
-	OK58-01386-0004	1	MOTOR: MAIN DRIVE, 230V/50HZ, W/TAPER
-	0017-00104-0409	4	Hardware: Washer 1.125" OD
-	0017-00101-0333	2	Hardware: Screw 0.3125"
-	0017-00101-1885	1	Hardware: Hex Bolt 1"
-	OK58-01092-0002	1	Cast Iron Flywheel
-	OK58-01057-0001	1	Drive Pulley - 1.971"
-	0017-00103-0027	4	Hardware: Locking Nut. 5/16" ID
-	0017-00101-0975	1	Hardware: Mounting Bolt 0.375"
-	AK58-00171-0001	1	Drive Motor Assembly
-	OK58-01092-0004	1	Cast Iron Flywheel

DSP Controller Assembly



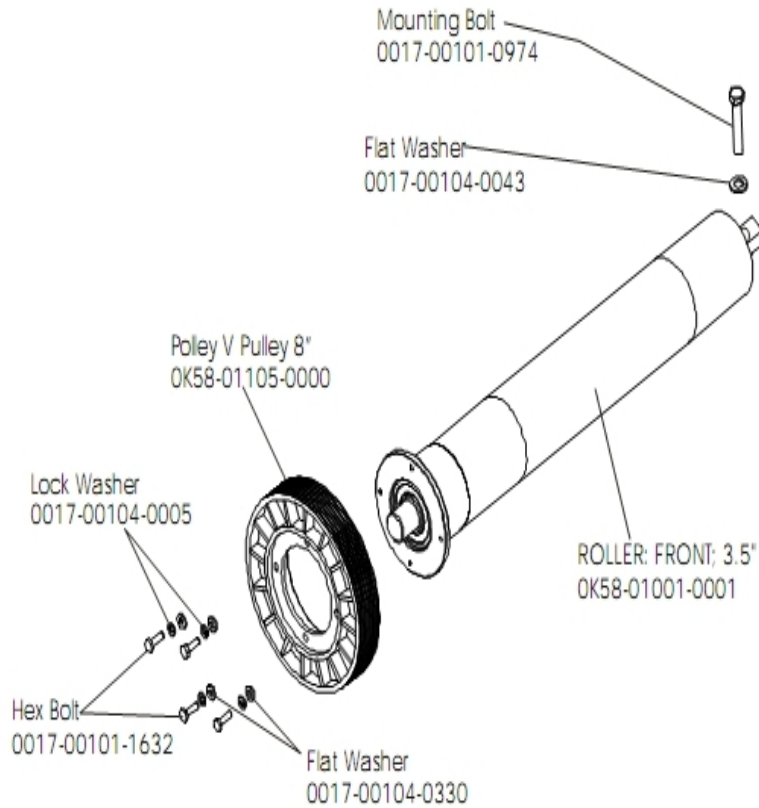
Ref #	Part Number	Qty	Description
-	AK65-00071-0007	1	DSP Motor Controller with Cable(100-120V)
-	AK58-00523-0000	1	Cable: Jumper; Power; LCD Console
-	GK58-00002-0118	1	Display Controller 100-120; LED
-	GK58-00002-0118	1	Display Controller 100-120; LED
-	GK58-00002-0118	1	Display Controller 100-120; LED
-	GK58-00002-0118	1	Display Controller 100-120; LED

Ergo Bar, Heart Rate Sensors and Activity Zone



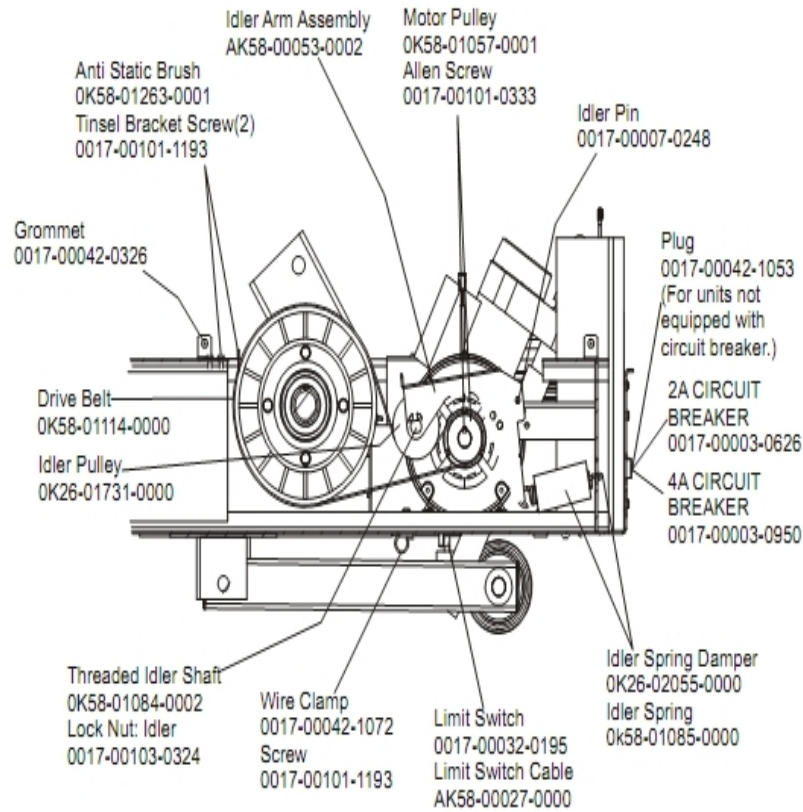
Ref #	Part Number	Qty	Description
-	AK58-00554-0201	1	Activity-Zone Module Assembly: Purchased; Generic Shadow Grey
-	GK20-00002-0005	1	Heart Rate Electrode Kit
-	0017-00101-0824	2	Hardware: Screw 1.125"
-	AK58-00376-0001	1	Ergo-Bar Overmold Assembly
-	0K58-01347-0000	2	ErgoBar Gasket

Front Roller Assembly



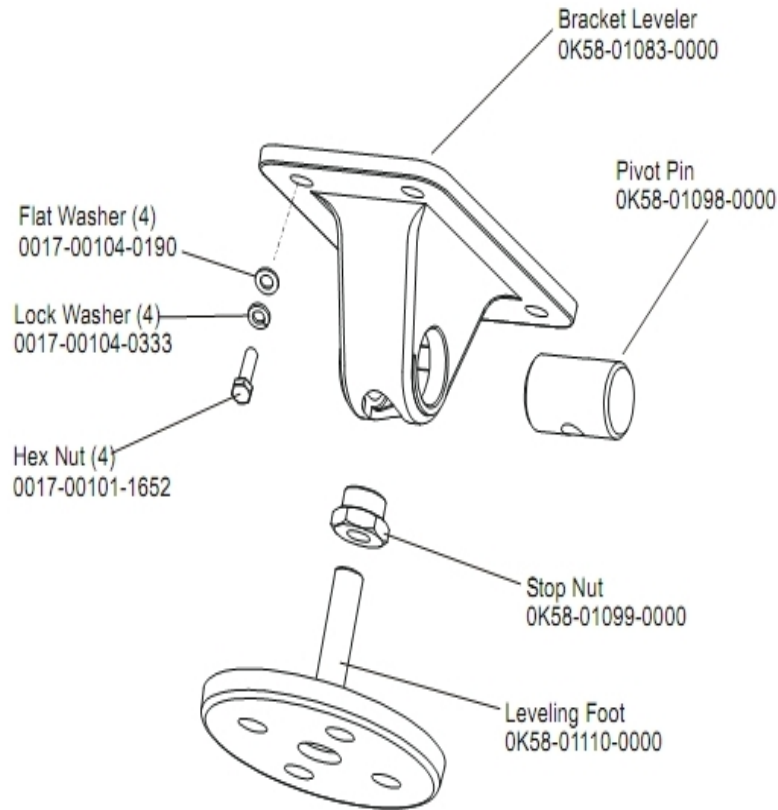
Ref #	Part Number	Qty	Description
-	0017-00101-0974	1	Hardware: Mounting Bolt 2"
-	0017-00104-0043	1	Hardware: Flat Washer 0.734" OD
-	0017-00104-0005	1	Hardware: Lock Washer 0.489" OD
-	0K58-01001-0001	1	Front Roller - 3.5"
-	AK58-00066-0000	1	Front Roller Assembly
-	0017-00101-1632	1	Hardware: Hex Bolt 0.875"
-	0K58-01105-0000	1	Drive Pulley Poly V - 8"
-	0017-00104-0330	1	Hardware: Flat Washers 0.562" OD

Idler Arm Assembly



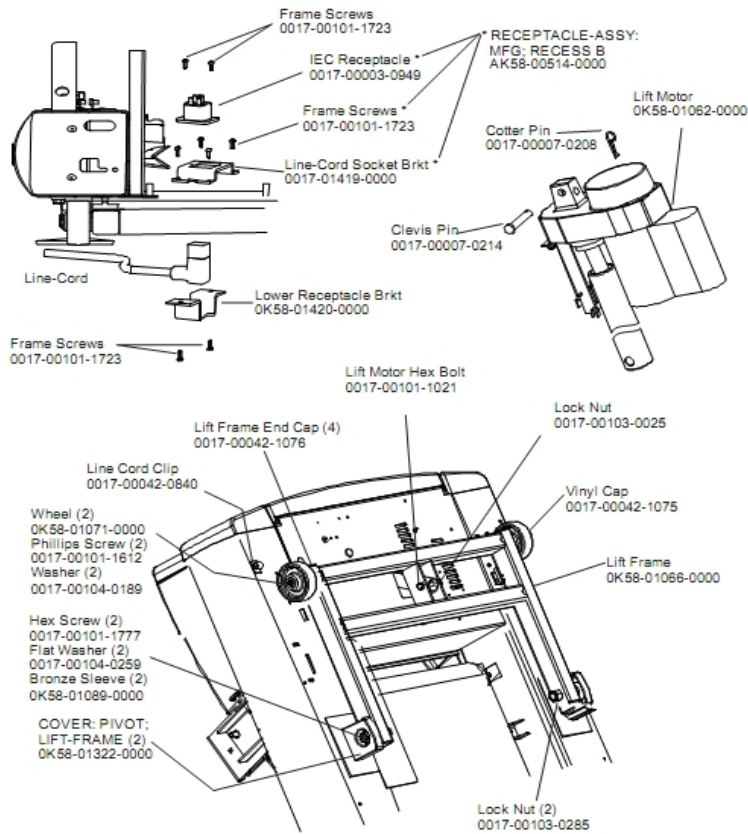
Ref #	Part Number	Qty	Description
-	0K58-01057-0001	1	Drive Pulley - 1.971"
-	AK58-00053-0002	1	Idler Arm Assembly
-	0017-00103-0324	1	Hardware: Thin Lock Nut 3/8" ID
-	AK58-00027-0000	1	Limit Switch Cable
-	0K26-01731-0000	1	Plastic Idler 2 5/8" OD
-	0K26-02055-0000	1	Spring Damper
-	0017-00032-0195	1	Home Switch
-	0017-00042-1072	1	Hardware: Wire Clamp - 5/8"
-	0017-00003-0626	1	CIRCUIT-BREAKER:2A 200-240V
-	0017-00003-0950	1	100v 4 AMP Breaker
-	0K58-01084-0002	1	Threaded Shaft
-	0017-00007-0248	1	Hardware: Locking Pin .31" D 2.125" L
-	0017-00042-0326	1	Hardware: Plastic Grommet
-	0017-00101-1193	3	Hardware: Screw 0.375"
-	0K58-01114-0000	1	Poly-V Drive Belt - 370J12
-	0K58-01085-0000	1	Extension Spring
-	0K58-01263-0001	1	Tinsel Bracket
-	0017-00101-0333	1	Hardware: Screw 0.3125"
-	0017-00042-1053	1	Plug (For units not equipped with circuit breaker.)

Leg Leveler Assembly



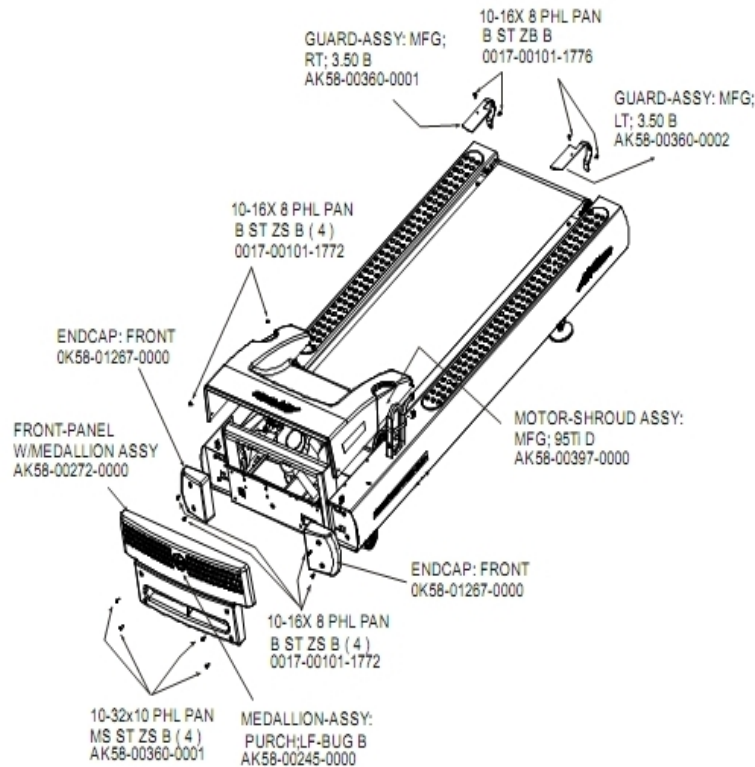
Ref #	Part Number	Qty	Description
-	OK58-01110-0000	1	Leveler Foot
-	AK58-00370-0000	1	Leveler Assembly
-	OK58-01099-0000	1	Hardware: Stop Nut
-	OK58-01098-0000	1	Hardware: Pivot Pin
-	0017-00104-0190	4	Hardware: Flat Washer 0.734" OD
-	0017-00104-0333	4	Hardware: Washer 0.683" OD
-	0017-00101-1652	4	Hardware: Spring Mounting Screw 1"
-	OK58-01083-0000	1	Leveler Bracket

Lift Frame, Lift Motor and IEC Receptacle



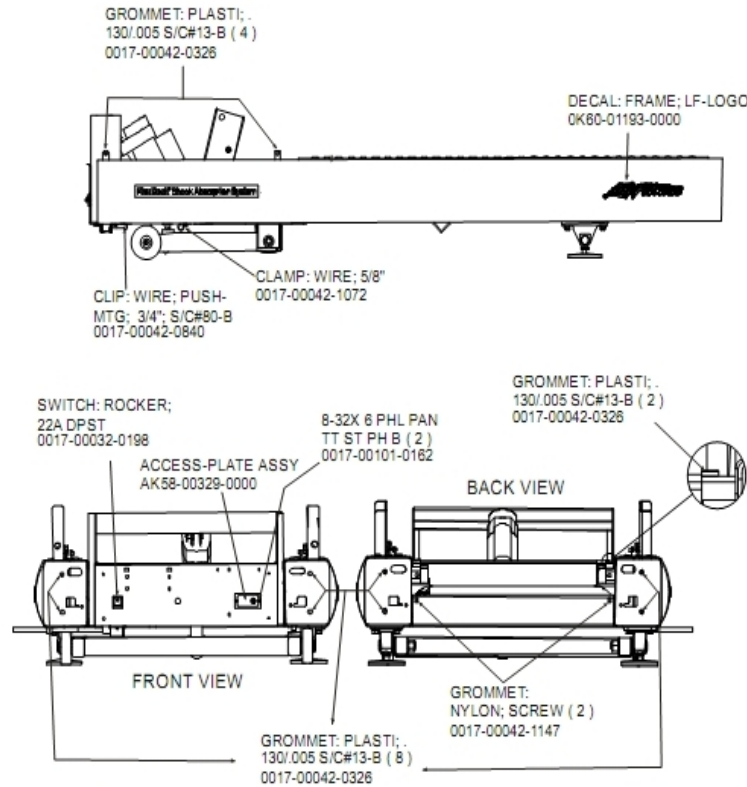
Ref #	Part Number	Qty	Description
-	0017-00007-0214	1	Hardware: Clevis Pin 3/8" D 1.75" L
-	0017-00103-0025	1	Hardware: Locking Nut 3/8" ID
-	0017-00101-1612	2	Hardware: Phillips Screw 0.5"
-	OK58-01071-0000	2	Wheel
-	0017-00042-0840	1	Hardware: Push Mount Clip
-	OK58-01089-0000	2	Bronze Sleeve Bushings
-	OK58-01420-0000	1	Lower Receptacle Bracket
-	OK58-01062-0000	1	Lift Motor - 120/60
-	AK58-00220-0000	1	LIFT-FRAME ASSY: MFG. C
-	0017-00042-1076	4	Lift Frame End Cap
-	0017-00103-0285	2	Hardware: Nut 5/8" ID
-	0017-00101-1723	3	Hardware: Phillips Pan Screw 0.375"
-	AK58-00514-0000	1	Receptacle Assembly
-	0017-00007-0208	1	Hardware: Cotter Pin
-	0017-00101-1777	2	Hardware: Lift Frame Mounting Bolt 2.75"
-	0017-00104-0189	2	Hardware: Flat Washer 1" OD
-	OK58-01419-0000	1	Line Cord Socket Bracket
-	OK58-01322-0000	2	Lift Frame Pivot Cover
-	0017-00003-0949	1	IEC Receptacle
-	0017-00101-1021	1	Hardware: Lift Motor Hex Bolt 2.5"
-	0017-00104-0259	2	Hardware: Washer 1.331" OD
-	0017-00042-1075	1	Vinyl Cap

Motor Cover, Front Cover and Front End Caps



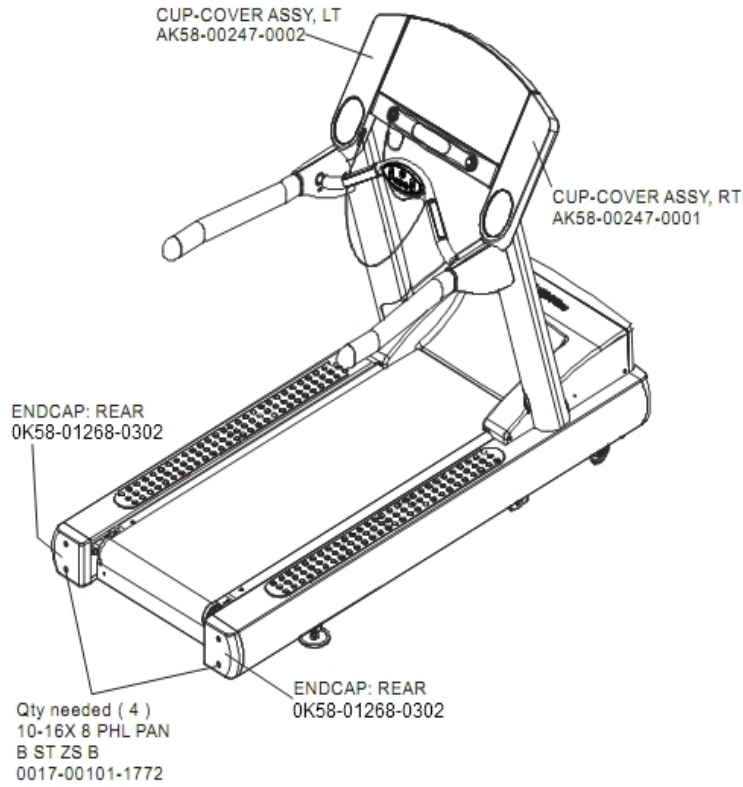
Ref #	Part Number	Qty	Description
-	AK58-00360-0001	5	Rear Roller Guard: Right
-	AK58-00397-0000	1	Motor Shroud
-	0017-00101-1772	8	Hardware: Phillips Pan Screw 0.5"
-	0017-00101-1776	1	Hardware: Mounting Screw 0.5"
-	AK58-00360-0002	1	Rear Roller Guard: Left
-	0K58-01267-0000	2	End Cap
-	AK58-00272-0000	1	Front Panel with Medallion
-	AK58-00245-0000	1	Bug Medallion

On/Off Switch, Access Plate and Grommets



Ref #	Part Number	Qty	Description
-	0017-00101-0162	2	Hardware: Screw 0.375"
-	AK58-00329-0000	1	Access Panel Assembly
-	0017-00042-0840	1	Hardware: Push Mount Clip
-	0K60-01193-0000	1	Decal: LF Logo
-	0017-00032-0198	1	On/Off Switch 22A
-	0017-00042-0326	14	Hardware: Plastic Grommet
-	0017-00042-1147	2	Hardware: Nylon Grommet
-	0017-00042-1072	1	Hardware: Wire Clamp - 5/8"

Rear End Caps and Cup Holders

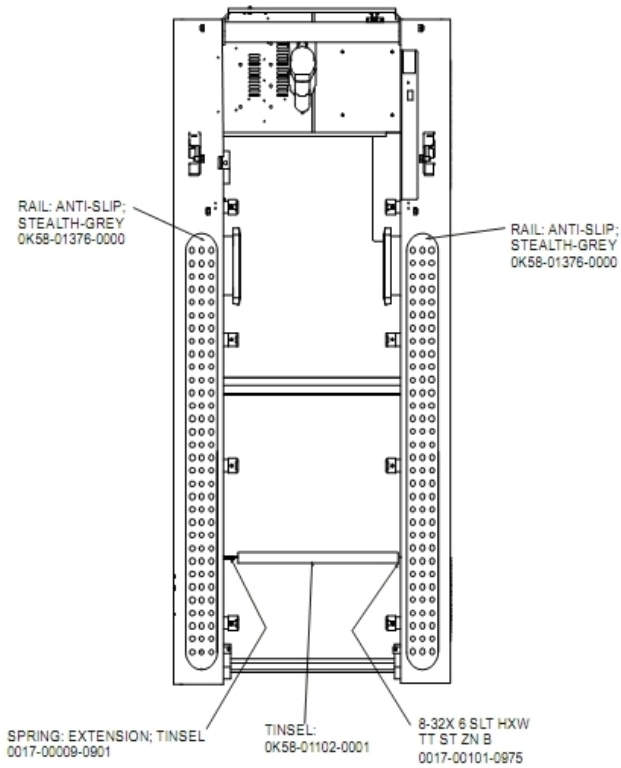


Ref #	Part Number	Qty	Description
-	OK58-01268-0302	3	ENDCAP: REAR; STEALTH D
-	AK58-00247-0001	1	Cup Holder Right
-	0017-00101-1772	4	Hardware: Phillips Pan Screw 0.5"
-	AK58-00247-0002	1	Cup Holder Left

References

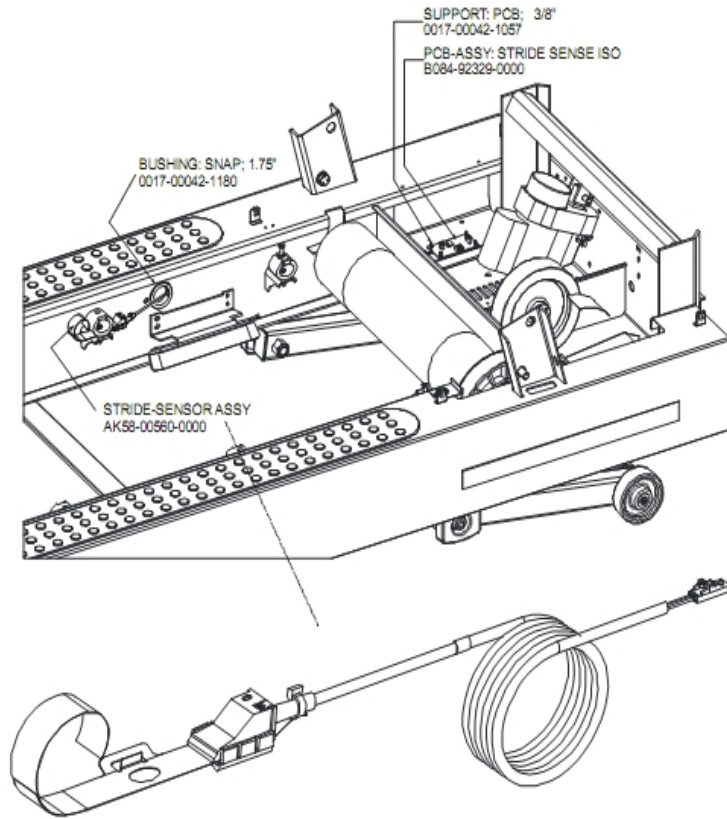
Ref #	Part Number	Qty	Description
-	0017-00042-0840	5	Hardware: Push Mount Clip
-	0017-00101-1770	6	Hardware: Phillips Pan Screw 0.5"
-	0017-00101-1772	6	Hardware: Phillips Pan Screw 0.5"
-	0K58-01347-0000	2	ErgoBar Gasket
-	0017-00101-1778	4	Hardware: Hex Bolt 1"
-	0017-00042-0326	2	Hardware: Plastic Grommet
-	0017-00103-0327	4	Hardware: Hex Nut 5/16" ID
-	0K58-01305-0002	2	Upright Plug
-	0017-00101-1774	4	Hardware: TORX Screw 2.5"
-	0017-00101-1780	8	Hardware: Mounting Screws
-	GK58-00002-0095	1	Roller Guard kit
-	AK58-00226-0000	1	Hardware Bag
-	0017-00104-0325	4	Hardware: Washer 0.873" OD
-	0017-00009-1049	1	Torx Wrench
-	0017-00101-1773	6	Hardware: TORX Screw 0.5"

Scuff Pad and Tinsel



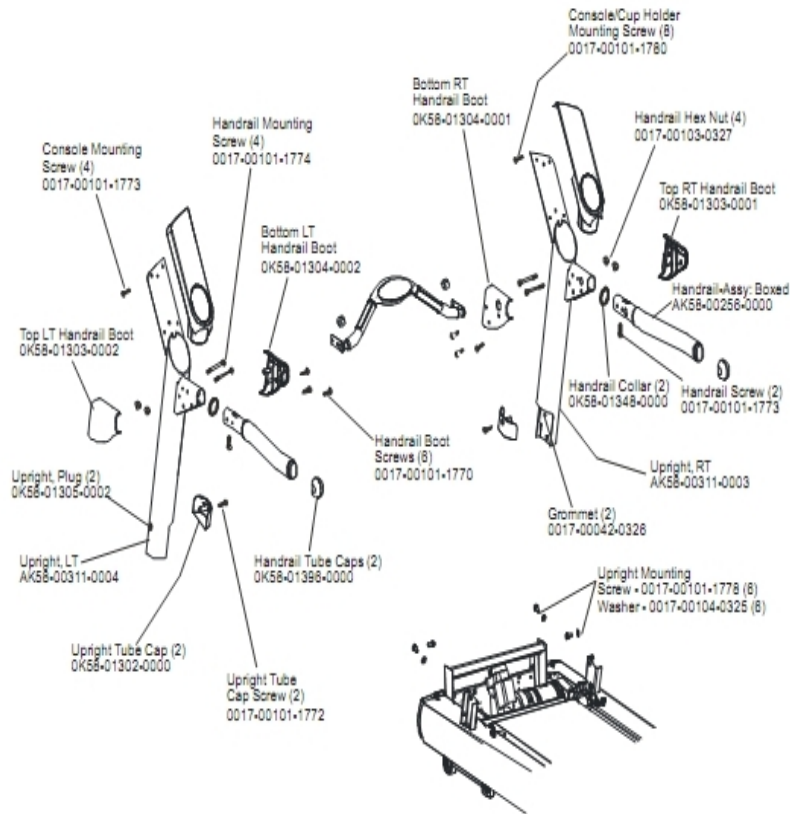
Ref #	Part Number	Qty	Description
-	OK58-01376-0000	2	Anti-Scuff Pad
-	OK58-01102-0001	1	Anti-Static Tinsel
-	0017-00101-0975	1	Hardware: Mounting Bolt 0.375"
-	0017-00009-0901	1	Tinsel Extension Spring

Stride Sensor and Stride Sensor PCB Assembly



Ref #	Part Number	Qty	Description
-	AK58-00560-0000	1	Stride Sensor Assembly
-	0017-00042-1180	1	Hardware: Snap Bushing - 1.75"
-	B084-92329-0000	1	PCB-ASSY: STRIDE SENSE ISO
-	0017-00042-1057	1	Support: Printed Circuit Board; 3/8"

Uprights and Handrails



Ref #	Part Number	Qty	Description
-	0017-00101-1773	6	Hardware: TORX Screw 0.5"
-	0017-00104-0325	6	Hardware: Washer 0.873" OD
-	0K58-01396-0000	2	Endcap
-	0K58-01303-0002	1	Top Left Handrail Boot
-	0K58-01304-0001	1	Bottom Right Handrail Boot
-	0017-00101-1772	2	Hardware: Phillips Pan Screw 0.5"
-	0K58-01303-0001	1	Top Right Handrail Boot
-	0017-00101-1778	6	Hardware: Hex Bolt 1"
-	0017-00042-0326	2	Hardware: Plastic Grommet
-	0017-00103-0327	4	Hardware: Hex Nut 5/16" ID
-	0K58-01302-0103	2	Cap: Upright Tube; Arctic Silver
-	0K58-01305-0002	2	Upright Plug
-	AK58-00256-0001	1	Handrail
-	AK58-00311-0004	1	Upright: Left
-	0017-00101-1774	4	Hardware: TORX Screw 2.5"
-	0017-00101-1780	8	Hardware: Mounting Screws
-	AK58-00311-0003	1	Upright: Right
-	0K58-01348-0000	2	Handrail Collar
-	0017-00101-1770	6	Hardware: Phillips Pan Screw 0.5"

